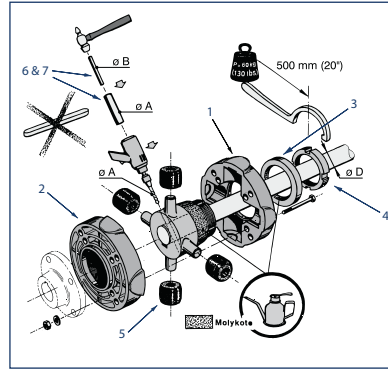
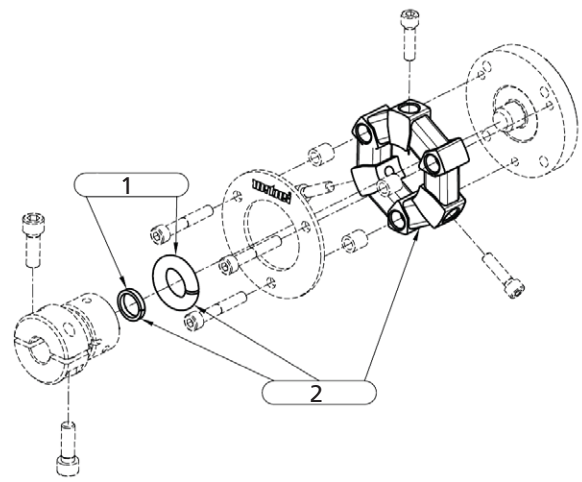


EN	NL	KO51	KO52	KO53	KO54
1	Lower half coupling 6 without flange	KO01	KO01	KO01	KO01
2	Upper half coupling 6 with flange to gearbox	KO02	KO02	KO02	KO02
3	Clamping ring coupling 6	KO08	KO08	KO08	KO08
4	Skf-lock nut	KO09	KO09	KO09	KO09
5	Set: flexible rubber coupling type 6 (4)	KO18	KO18	KO18	KO18
6	Set: roll pin 5x60 (2) and lock pin 8x60 (2) for coupl. 6	KO19		KO19	KO19
7	Set: rollpin 6x60 (2) and lockpin 10x60 (2) for coupl. 6		KO20		

KO30 Rubber for coupling type 10/14 40x40mm



VDR type	Thrust bearing	CV joint	Connection flange	Flex Mount set bolts, nuts, washers and rubber washers
VDR210254	VSDR21025	VHDR10	FLDR10102	VDR02
VDR210255	VSDR21025	VHDR10	FLDR10127	VDR02
VDR210304	VSDR21030	VHDR10	FLDR10102	VDR02
VDR210305	VSDR21030	VHDR10	FLDR10127	VDR02
VDR215254	VSDR21525	VHDR15	FLDR15102	VDR02
VDR215255	VSDR21525	VHDR15	FLDR15127	VDR02
VDR215304	VSDR21530	VHDR15	FLDR15102	VDR02
VDR215305	VSDR21530	VHDR15	FLDR15127	VDR02
VDR215354	VSDR21535	VHDR15	FLDR15102	VDR02
VDR215355	VSDR21535	VHDR15	FLDR15127	VDR02
VDR215404	VSDR21540	VHDR15	FLDR15102	VDR02
VDR215405	VSDR21540	VHDR15	FLDR15127	VDR02
VDR221304	VSDR22130	VHDR21	FLDR21102	VDR02
VDR221305	VSDR22130	VHDR21	FLDR21127	VDR02
VDR221354	VSDR22135	VHDR21	FLDR21102	VDR02
VDR221355	VSDR22135	VHDR21	FLDR21127	VDR02
VDR221404	VSDR22140	VHDR21	FLDR21102	VDR02
VDR221405	VSDR22140	VHDR21	FLDR21127	VDR02
VDR221406	VSDR22140	VHDR21	FLDR21152	VDR02
VDR421404	VSDR42140	VHDR21	FLDR21102	VDR04
VDR421405	VSDR42140	VHDR21	FLDR21127	VDR04
VDR421406	VSDR42140	VHDR21	FLDR21152	VDR04
VDR421454	VSDR42145	VHDR21	FLDR21102	VDR04
VDR421455	VSDR42145	VHDR21	FLDR21127	VDR04
VDR421456	VSDR42145	VHDR21	FLDR21152	VDR04
VDR421504	VSDR42150	VHDR21	FLDR21102	VDR04
VDR421505	VSDR42150	VHDR21	FLDR21127	VDR04
VDR430404	VSDR43040	VHDR30	FLDR30102	VDR04
VDR430405	VSDR43040	VHDR30	FLDR30127	VDR04
VDR430454	VSDR43045	VHDR30	FLDR30102	VDR04
VDR430455	VSDR43045	VHDR30	FLDR30127	VDR04
VDR430456	VSDR43050	VHDR30	FLDR30152	VDR04
VDR430504	VSDR43050	VHDR30	FLDR30102	VDR04
VDR430505	VSDR43050	VHDR30	FLDR30127	VDR04
VDR430506	VSDR43050	VHDR30	FLDR30152	VDR04
VDR630505	VSDR63050	VHDR30	FLDR30127	VDR06
VDR630506	VSDR63050	VHDR30	FLDR30152	VDR06
VDR630605	VSDR63060	VHDR30	FLDR30127	VDR06
VDR630606	VSDR63060	VHDR30	FLDR30152	VDR06
VDR630705	VSDR63070	VHDR30	FLDR30127	VDR06
VDR630706	VSDR63070	VHDR30	FLDR30152	VDR06
VDR642505	VSDR64250	VHDR42	FLDR42127	VDR06
VDR642506	VSDR64250	VHDR42	FLDR42152	VDR06
VDR642605	VSDR64260	VHDR42	FLDR42127	VDR06
VDR642606	VSDR64260	VHDR42	FLDR42152	VDR06
VDR642705	VSDR64270	VHDR42	FLDR42127	VDR06
VDR642706	VSDR64270	VHDR42	FLDR42152	VDR06



	1	2
	round courod + alignment ring	rubber element + round courod + ring
BULFL011	SET0062	SET0063
BULFL021	SET0064	SET0065
BULFL041	SET0066	SET0067
BULFL0812	SET0068	SET0069
BULFL0814	SET0068	SET0069
BULFL1212	SET0070	SET0071
BULFL1213	SET0070	SET0071
BULFL1612	SET0070	SET0072
BULFL1613	SET0070	SET0072
BULFL162	SET0070	SET0072
BULFL3213	SET0073	SET0074
BULFL322	SET0073	SET0074
BULFL0120	SET0062	SET0063
BULFL0125	SET0062	SET0063
BULFL0220	SET0064	SET0065
BULFL0225	SET0064	SET0065
BULFL0425	SET0066	SET0067
BULFL0430	SET0066	SET0067
BULFL0830	SET0068	SET0069
BULFL0835	SET0068	SET0069
BULFL0840	SET0068	SET0069
BULFL1235	SET0070	SET0071
BULFL1240	SET0070	SET0071
BULFL1245	SET0070	SET0071
BULFL1640	SET0070	SET0072
BULFL1645	SET0070	SET0072
BULFL1650	SET0070	SET0072
BULFL3245	SET0073	SET0074
BULFL3250	SET0073	SET0074
BULFL3260	SET0073	SET0074
BULFL3270	SET0073	SET0074

BUL16SET	Set studs & bolts (7/16" UNF) for couplings type Bullflex 12 and 16
BUL32SET	Set studs & bolts (M16) for couplings type Bullflex 32
TMCSET	Set studs & bolts for couplings type Uniflex/Bullflex with Technodrive Gearbox
UNISSET4/5	Set studs & bolts (M10) for couplings Uniflex & Bullflex 1-8, for flange 4"/5"

	adapter flange to gearbox prm402	intermediate flange hsW630
BULFL3245	CT50067	CT50065
BULFL3250	CT50067	CT50065
BULFL3260	CT50067	CT50065
BULFL3270	CT50067	CT50065



Set bronze ogive & zinc anode	Spare zinc anode	Set: locking ring	Parallel key
SN25SET	SN25B	SET0200 (Set: locking ring (10x))	GLA25
SN30SET	SN30B	SET0201 (Set: locking ring (10x))	GLA3003
SN35SET	SN35B	SET0202 (Set: locking ring (5x))	GLA3503
SN40SET	SN40B	SET0203 (Set: locking ring (5x))	GLA4003
SN45SET	SN45B	SET0204 (Set: locking ring (5x))	GLA4503
SN50SET	SN50B	SET0205 (Set: locking ring (5x))	GLA4503



Product	KIT	Hose for bearing	Hose pillar	Silicone grease 15 gr.
ZWB25A	NLA	DLS25009	SLP3/810	DLS002
ZWB25I	ZWB25ISET	DLS25009	SLP3/810	DLS002
ZWB30I	ZWB30ISET	DLS30009	SLP3/810	DLS002
ZWB35A	ZWB35ISET	DLS35009	SLP3/810	DLS002
ZWB40A	ZWB40ISET	DLS40009	SLP1/213	DLS002
ZWB45A	ZWB45ISET	DLS45009	SLP1/213	DLS002
ZWB50A	ZWB50ISET	DLS50009	SLP1/213	DLS002
ZWB60	ZWB60RES	NLA	SLP1/213	DLS002

For old propeller shafts with propeller

GLA2504	SS key 6-> 8 mm h=2x3,25 mm l=40 mm	Verloopspie rvs 6-> 8mm
----------------	-------------------------------------	-------------------------

TP1810 T-piece 18 mm to 10 mm (for ZWBKIT)

BL	Mounting flange bronze Bronzen montageflens	
	DLS25005	D 25 mm
	DLS30005	D 30 mm
	DLS35005	D 35 mm
	DLS40005	D 40 mm
	DLS45005	D 45 mm
	DLS50005	D 50 mm

Self-aligning innerbearing with stuffing box	Set glandpacking	Rubber part of self-aligning stuffing box
ZWBILAG25	GLZ2523	GLZ2524
ZWBILAG30	GLZ3023	GLZ3026
ZWBILAG35	GLZ3523	NLA
ZWBILAG40	GLZ4023	GLZ4024
ZWBILAG45	GLZ4523	NLA
ZWBILAG50	GLZ5023	NLA
ZWBILAG60	NLA	NLA