

# parts catalogue



**M2.04**

**M2.C5**

**M2.D5**

**M2.06**

Deze onderdelencatalogus bevat waardevolle informatie voor onderhoud en service aan uw motor.

Wij adviseren U, bij vervanging alleen originele *VEPIUS* onderdelen toe te passen.

Het typeplaatje bevat informatie over de typeaanduiding, het motornummer en de serie.

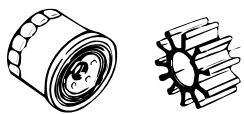

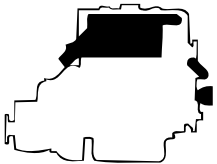
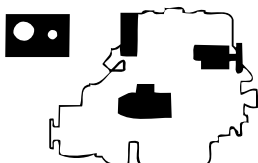



Gebruik deze informatie bij bestelling van onderdelen.

This parts'catalogue contains valuable information for maintenance and service over your engine.

For replacement, we recommend that you use only genuine *VEPIUS* parts.

The identification tag contains information about model, serial number and series.

Use this information when ordering parts.

	<p><b>RESERVE KITS</b> <b>SPARE PARTS KIT</b></p>	<p><b>1</b></p>
	<p><b>MOTOR</b> <b>ENGINE</b></p>	<p><b>2</b></p>
	<p><b>KOELING</b> <b>COOLING</b></p>	<p><b>3</b></p>
	<p><b>ELECTRA, BEDIENING EN INSTRUMENTEN</b> <b>ELECTRICS, CONTROLS, INSTRUMENTS</b></p>	<p><b>4</b></p>
	<p><b>AANDRIJVING</b> <b>TRANSMISSION</b></p>	<p><b>5</b></p>
	<p><b>BRANDSTOFSTEEEM</b> <b>FUEL SYSTEM</b></p>	<p><b>6</b></p>
		<p><b>7</b></p>
		<p><b>8</b></p>
		<p><b>9</b></p>
	<p><b>ACCESSOIRES</b> <b>OPTIONALS</b></p>	<p><b>10</b></p>



# onderdelencatalogus, inhoud parts catalogue, contents



groep group	blz. page	type				omschrijving	description
1	1	M2.C5	M2.D5	M2.04	M2.06	Kofferkit + service kit	Case kit + service kit
2	1	M2.C5	M2.D5	M2.04	M2.06	Motorsteunen	Engine supports
2	2	M2.C5	M2.D5	M2.04	M2.06	Motorblok	Crankcase
2	3	M2.C5	M2.D5	M2.04	M2.06	Carterpan + Oliepomp	Oilsump + Oilpump
2	4	M2.C5	M2.D5	M2.04	M2.06	Cilinderkop	Cylinder head
2	5	M2.C5	M2.D5	M2.04	M2.06	Krukas	Crankshaft
2	6	M2.C5	M2.D5	M2.04	M2.06	Distributie	Time Gear
2	7	M2.C5	M2.D5	M2.04	M2.06	Pakkingset	Gasket kit
2	8	M2.C5	M2.D5	M2.04	M2.06	Luchtinlaat	Air intake
3	1	M2.C5	M2.D5	M2.04	M2.06	Warmtewisselaar units	Heat exchanger units
3	2	M2.C5	M2.D5	M2.04	M2.06	Kielkoelspruitstuk	Keelcooler manifold
3	3	M2.C5	M2.D5	M2.04	M2.06	Slangen	Hoses
3	4	M2.C5	M2.D5	M2.04	M2.06	Luchtinlaatkast	Air intake Housing
3	5	M2.C5	M2.D5	M2.04	M2.06	Zeewaterpomp	Seawater pump
3	5a	M2.C5	M2.D5	-----	M2.06	Zeewaterpomp	Seawater pump
3	6	M2.C5	M2.D5	M2.04	M2.06	Circulatiepomp	Circulation pump
3	7	M2.C5	M2.D5	M2.04	M2.06	Pompen	Pumps
4	1	M2.C5	M2.D5	M2.04	M2.06	Bedradingskast	Terminal box
4	1a	M2.C5	M2.D5	M2.04	M2.06	Bedradingskast	Terminal box
4	2	M2.C5	M2.D5	M2.04	M2.06	Bediening	Controls
4	3	M2.C5	M2.D5	M2.04	M2.06	Instrumenten paneel	Instrument panel
4	4	M2.C5	M2.D5	M2.04	M2.06	Instrumenten paneel MP10	Instrument panel MP10
4	4a	M2.C5	M2.D5	M2.04	M2.06	Instrumenten paneel MP00	Instrument panel MP00
4	5	M2.C5	M2.D5	M2.04	M2.06	Startmotor en dynamo	Starter motor and alternator
4	6	M2.C5	M2.D5	M2.04	M2.06	Startmotor	Starter motor
4	7	M2.C5	M2.D5	M2.04	M2.06	Dynamo	Alternator
4	8	M2.C5	M2.D5	M2.04	M2.06	Zenders + schakelaars	Sender untis + switches
4	9	M2.C5	M2.D5	-----	M2.06	Bedradingskast	Terminal box
4	10	M2.C5	M2.D5	-----	M2.06	Instrumenten paneel model '22'	Instrument panel model '22'
5	1	M2.C5	M2.D5	M2.04	M2.06	Vliegwielhuis Hurth / PRM / Borg W	Flywheel housing Hurth / PRM / Borg W
5	2	M2.C5	M2.D5	M2.04	M2.06	Vliegwielhuis Hurth / PRM	Flywheel housing Hurth / PRM
6	1	M2.C5	M2.D5	M2.04	M2.06	Brandstoffilter	Fuel filter
6	2	M2.C5	M2.D5	M2.04	M2.06	Brandstofsysteem	Fuel system
6	3	M2.C5	M2.D5	M2.04	M2.06	Brandstofpomp	Fuel pump
6	4	M2.C5	M2.D5	M2.04	M2.06	Regulateur	Regulator
6	5	M2.C5	M2.D5	M2.04	M2.06	Verstuiverhouder	Nozzle holder
10	1	-----	-----	M2.04	M2.06	Saildrive Lombardini	Saildrive Lombardini
10	2	M2.C5	M2.D5	M2.04	M2.06	Verloopset saildrive 110S	Adaptor kit saildrive 110S
10	3	M2.C5	M2.D5	M2.04	M2.06	Verloopset saildrive 120S	Adaptor kit saildrive 120S
10	4	M2.C5	M2.D5	M2.04	M2.06	Verloopset saildrive 120SB	Adaptor kit saildrive 120SB
10	5	M2.C5	M2.D5	M2.04	-----	Boileraansluiting	Calorifier connection

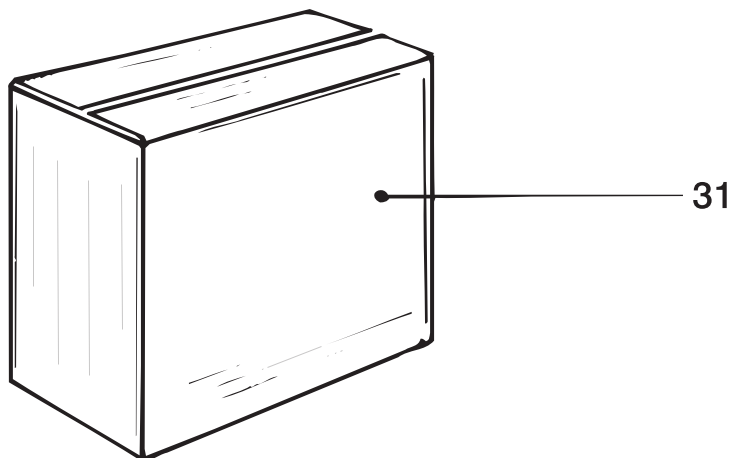
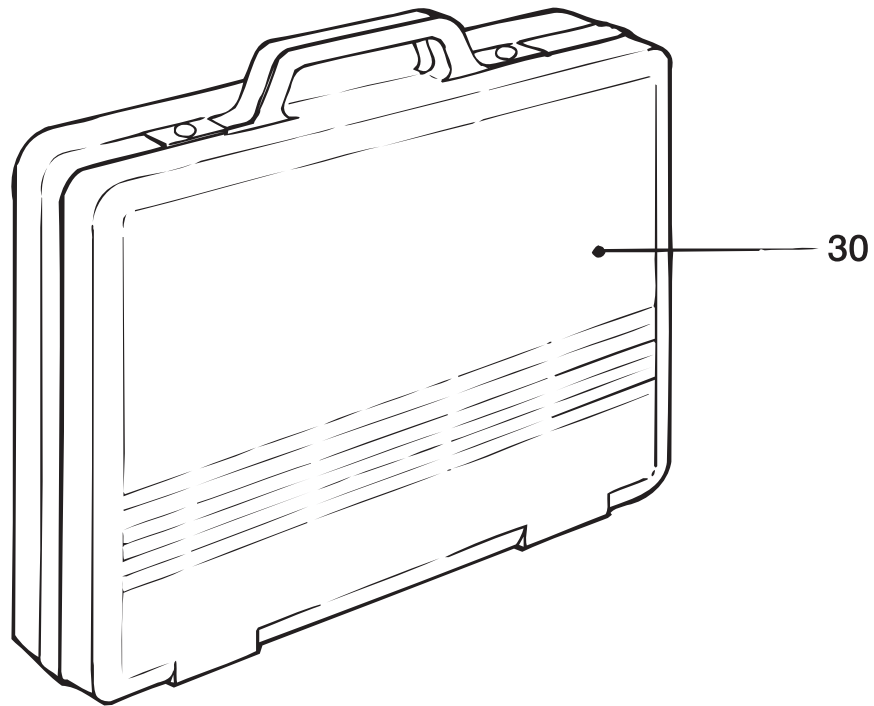
# onderdelencatalogus parts catalogue



groep/ group	blz./ page	type	omschrijving/description	datum/date
1	1	M2.C5 M2.D5 M2.04 M2.06	Kofferkit + service kit Case kit + service kit	05 10 99

pos.	qty	part	benaming	description
1	1	STM9185	Glaszekering 10A T ø6,3x32	Glass fuse 10A slow ø6,3x32
2	1	STM9050	Relais	Relay
3	1	STM6250	Thermostaat 82°C	Thermostat 82°C
4	1	STM6251	Thermostaat pakking	Thermostat gasket
5	1	STM6118	O-ring thermostaathuis 6x2	O-ring thermostat housing 6x2
6	1	STM2018	Ring ontluchting thermostaathuis	Washer (bleeding of therm.housing) Thermostat housing
7	1	STM6113	O-ring WW 61x2,5	O-ring WW 61x2.5
8	1	STM1006	Inbusbout WW M8x30	Allen screw WW M8x30
9	1	STM1007	Ring WW	Washer WW
10	1	STM3353	Ring aftap WW	Washer drainplug WW
11	1	STM3690	Brandstoffilter	Fuel filter
12	1	STM3797	Ring ontlucht.brandst.filter	Washer (bleeding the fuel filter)
13	1	STM8061	Impeller	Impeller
14	1	STM6127	O-ring zeewater pomp	O-ring seawater pump
15	1	STM8002	Pakking zeewater pomp	Gasket seawater pump
16	1	STM2012	Slangklem 19-18	Hose clamp 19-18
17	1	STM6116	Slangklem 26-38	Hose clamp 26-38
18	1	STM3012	Slangklem 38-50	Hose clamp 38-50
19	1	STM6138	Slang	Hose
20	1	STM6178	Slangbocht binnenwater	Hose bend fresh water
21	1	STM6123	Slangbocht buitenwater	Hose bend raw water
22	1	STM6124	Slangbocht uitlaat	Hose bend exhaust
23	1	STM0051	Oliefilter	Oil filter
24	1	STM3566	O-ring olie vuldop	O-ring oil filler cap
25	1	STM6263	V-snaar l=905	V-belt l=905
26	1	STM0062	Koffer geel	Case yellow
27	1	STM0063	Schuim onder	Foam bottom
28	1	STM0064	Schuim boven	Foam top
29	1	STM0052	Busjeverf 125 cc	Can of paint 125 cc
30	1	STM6194	Kofferkit cpl. 1t/m29	Case kit cpl. 1 til 29
31	1	STM9531	Service kit 11+13+15+23+25	Service kit 11+13+15+23+25

groep/ group	blz./ page	type	omschrijving/description	datum/date
1	1	M2.C5 M2.D5 M2.04 M2.06	Kofferkit + service kit Case kit + service kit	05 10 99



# onderdelencatalogus parts catalogue

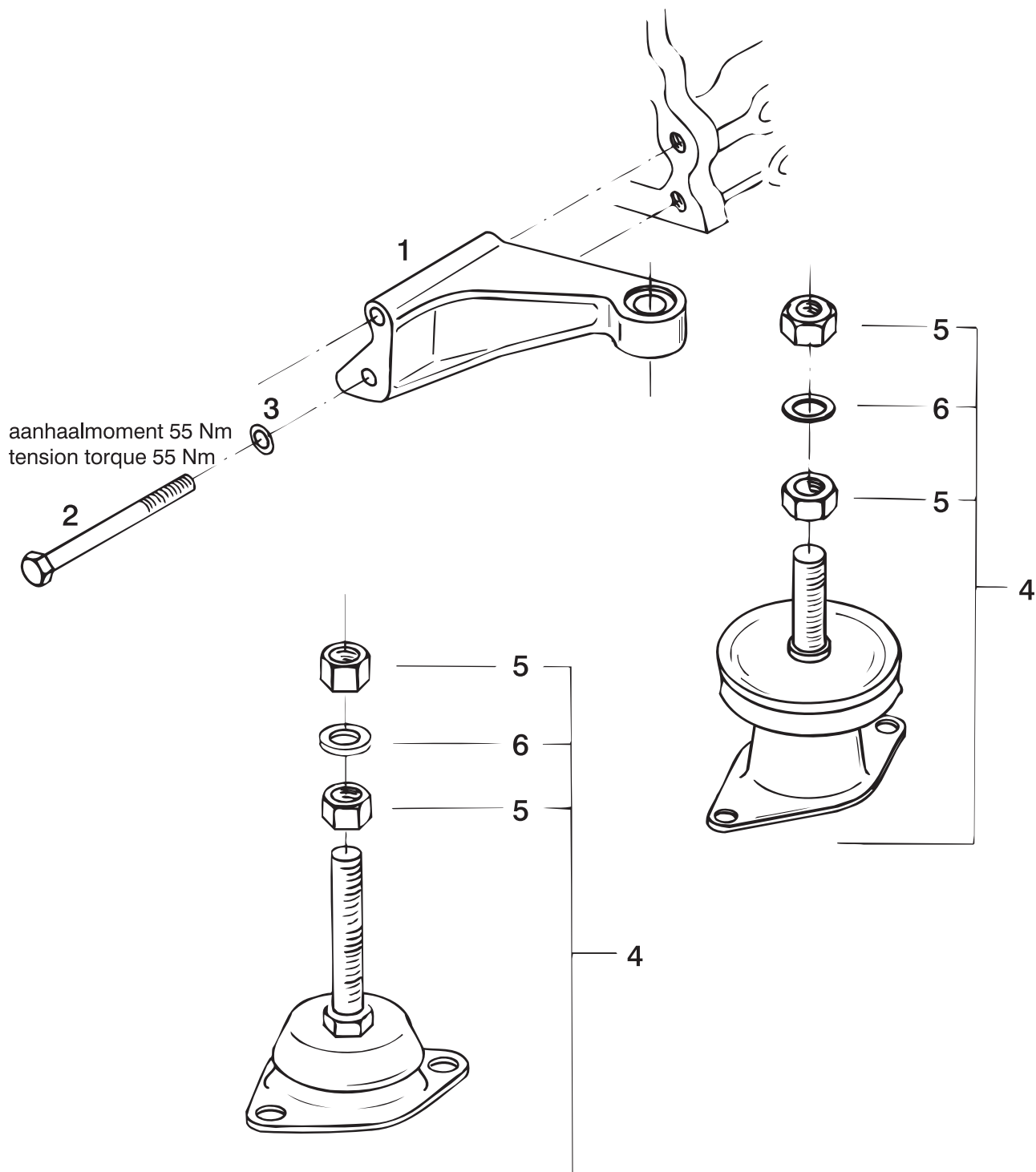


groep/ group	blz./ page	type	omschrijving/description	datum/date
2	1	<input type="checkbox"/> M2.C5 <input type="checkbox"/> M2.D5 <input type="checkbox"/> M2.04 <input type="checkbox"/> M2.06	Motorsteunen Engine supports	05 10 99

pos.	qty	part	benaming	description
1	2	STM6101	Motorsteun BB-SB	Engine support PS-SB
2	4	STM6102	Bout M10x1,25x90	Bolt M10x1.25x90
3	4	STM2022	Ring	Washer
4	2	MITSTEUN	Hydrodemper M2.06	Hydro mount M2.06
	2	STM1073	Demper M2.C5/M2.D/M2.04	Engine Mount M2.C5/M2.D5/M2.04
5	4	STM4010	Moer M16x1,5	Nut M16x1.5
6	2	STM4011	Ring	Washer



groep/ group	blz./ page	type		omschrijving/description	datum/date
		2	1		



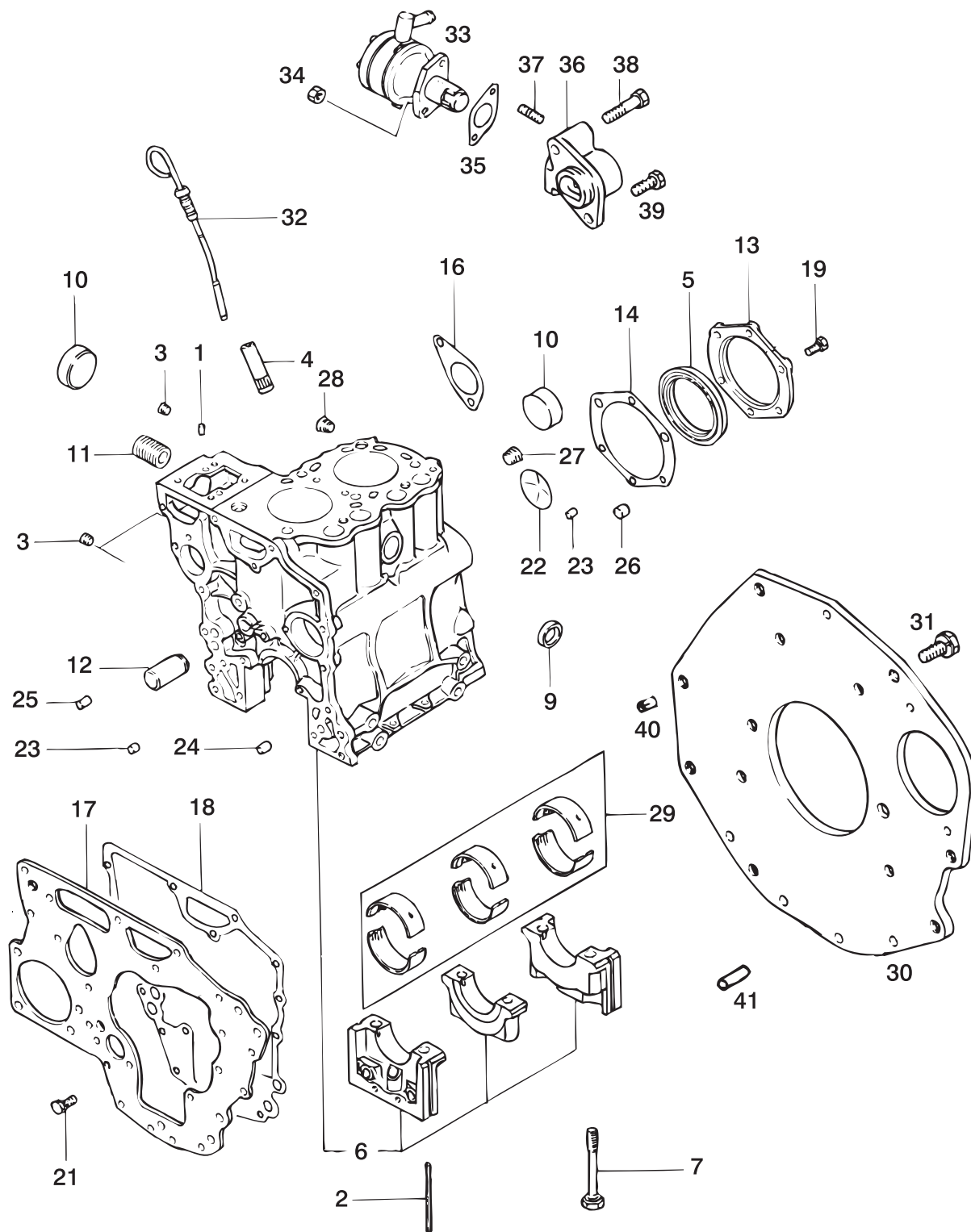
# onderdelencatalogus parts catalogue



groep/ group	blz./ page	type		omschrijving/description	datum/date
		M2.C5	M2.D5		
2	2	M2.04	M2.06	Motorblok Crankcase	05 10 99

pos.	qty	part	benaming	description	
1	2	STM1100	Pen	Pin	
2	4	STM1101	Dichting	Seal	
3	3	STM1102	Plug	Plug	
4	1	STM1103	Geleider	Guide	
5	1	STM1104	Keerring	Oil seal	
6	1	STM1406	Motorblok	M2.06	Block Sub Assembly
	1	STM1407	Motorblok	M2.04	Block Sub Assembly
	1	STM1093	Motorblok	M2.C5/M2.D5	Block Sub Assembly
7	1	STM1106	Bout	Bolt	
9	2	STM1108	Plug	Cap	
10	1	STM1109	Plug	Plug	
11	1	STM3546	As	Shaft	
12	1	STM1111	As	Shaft	
13	1	STM1112	Huis	Case	
14	1	STM1113	Pakking	Gasket	
16	1	STM1114	Pakking	Gasket	
17	1	STM1115	Plaat	Plate	
18	1	STM1116	Pakking	Gasket	
19	6	STM1117	Bout	Bolt	
21	7	STM1118	Bout	Bolt	
22	1	STM1119	Plug	Plug	
23	2	STM1120	Bus	Bushing	
24	1	STM1121	Bus	Bushing	
25	2	STM2510	Bus	Bushing	
26	3	STM1122	Bus	Bushing	
27	1	STM1123	Plug	Plug	
28	1	STM2513	Plug	Plug	
29	1	STM1394	Lagerset std	Bearing set std	
	1	STM1395	Lagerset 0,25 OS	Bearing set 0.25 OS	
	1	STM1396	Lagerset 0,50 OS	Bearing set 0.50 OS	
30	1	STM1125	Achterplaat	Rear plate	
31	6	STM3549	Bout	Bolt	
32	1	STM1126	Peilstok	Gauge	
33	1	STM1127	Brandstofopvoer pomp	Fuel pump	
34	2	STM3260	Moer	Nut	
35	1	STM1128	Pakking	Gasket	
36	1	STM1129	Adaptor	Adaptor	
37	2	STM3566	Tapeind	Stud	
38	1	STM2258	Bout	Bolt	
39	1	STM3355	Bout	Bolt	
40	1	STM6279	Pen 8x18 DIN6325	Pin 8x18 DIN6325	
41	1	STM2507	Pen 8x10 DIN6325	Pin 8x10 DIN6325	

groep/ group	blz./ page	type		omschrijving/description	datum/date
		2	2		



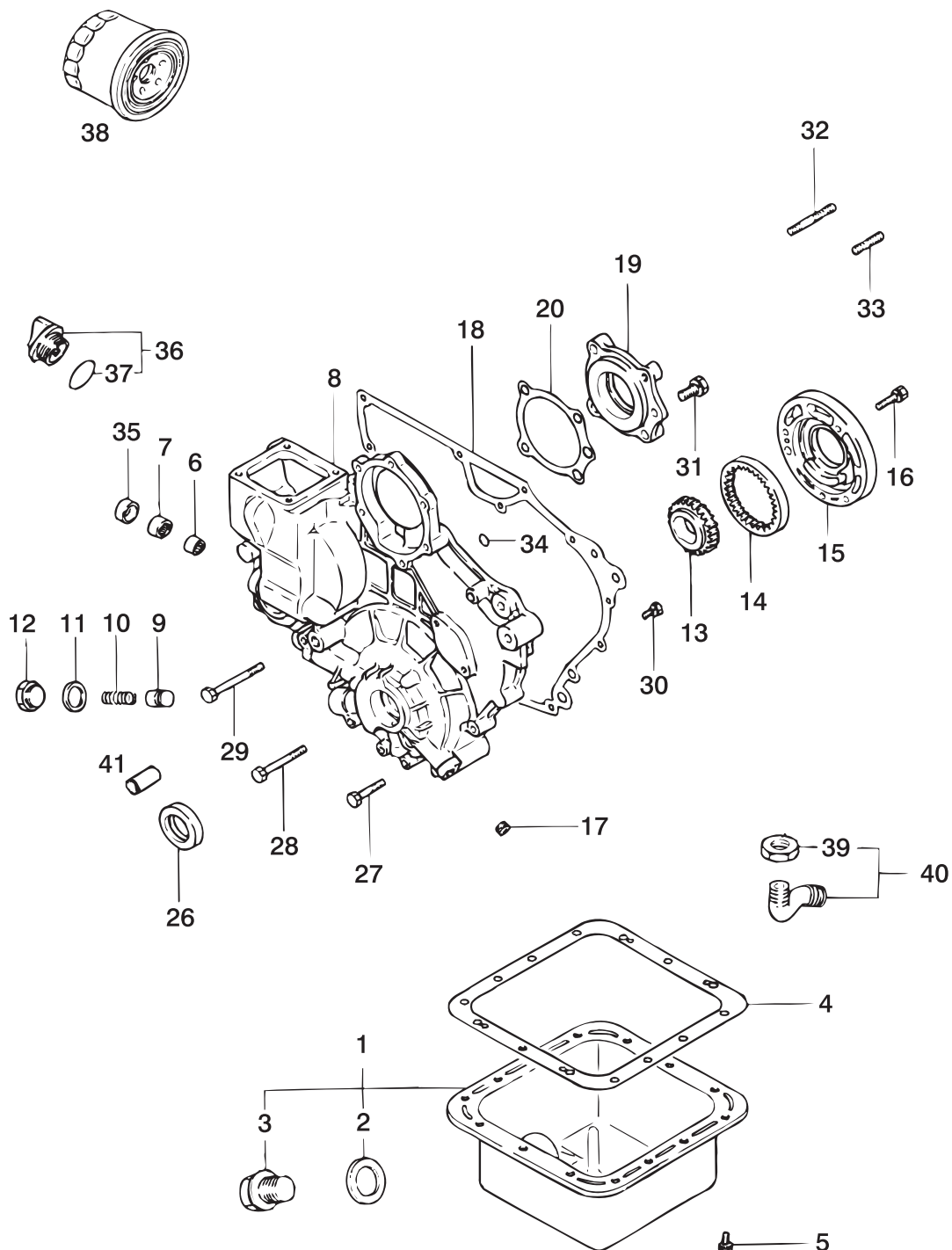
# onderdelencatalogus parts catalogue



groep/ group	blz./ page	type	omschrijving/description	datum/date
2	3	<input type="checkbox"/> M2.C5 <input type="checkbox"/> M2.D5 <input type="checkbox"/> M2.04 <input type="checkbox"/> M2.06	Carterpan + Oliepomp Oilsump + Oilpump	05 10 99

pos.	qty	part	benaming	description
1-3	1	STM1132	Carterpan compleet	Pan Assy
2	1	STM1133	Pakking	Gasket
3	1	STM1134	Plug	Plug
4	1	STM1135	Pakking	Gasket
5	14	STM3555	Bout	Bolt
6	1	STM1136	Lager	Bearing
7	1	STM1137	Lager	Bearing
8	1	STM1138	Huis	Case
9	1	STM1139	Klep	Plunger
10	1	STM1140	Veer	Spring
11	1	STM1141	Pakking	Gasket
12	1	STM1142	Plug	Plug
13	1	STM1143	Tandwiel	Gear
14	1	STM1144	Tandwiel	Gear
15	1	STM1145	Huis	Housing
16	3	STM2260	Bout	Bolt
17	2	STM1146	Plug	Plug
18	1	STM1147	Pakking	Gasket
19	1	STM1148	Huis	Housing
20	1	STM1149	Pakking	Gasket
26	1	STM1150	Keerring	Oil seal
27	3	STM6155	Bout	Bolt
28	4	STM3562	Bout	Bolt
29	1	STM1151	Bout	Bolt
30	4	STM1652	Bout	Bolt
31	1	STM1610	Bout	Bolt
32	3	STM1153	Tapeind	Stud
33	1	STM1154	Tapeind	Stud
34	2	STM1155	O-ring	O-ring
35	1	STM1156	Plug	Cap
36	1	STM3565	Vuldop + O-ring	Cap Assy + O-ring
37	1	STM3566	O-ring	O-ring
38	1	STM0051	Oliefilter	Oil filter
39	1	STM1157	Moer	Nut
40	1	STM1158	Aanzuigpijp	Screen Assy
41	1	STM1410	Plug	Plug

groep/ group	blz./ page	type		omschrijving/description	datum/date
		2	3		



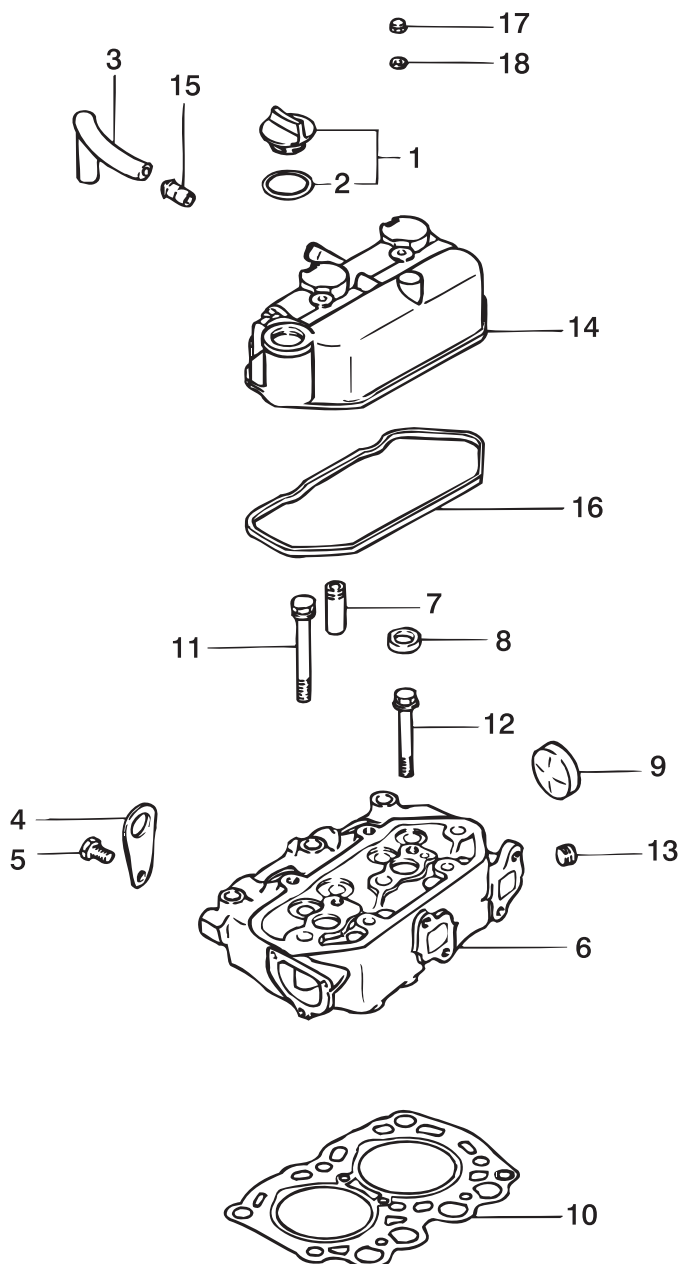
# onderdelencatalogus parts catalogue



groep/ group	blz./ page	type	omschrijving/description	datum/date
2	4	<input type="checkbox"/> M2.C5 <input type="checkbox"/> M2.D5 <input type="checkbox"/> M2.04 <input type="checkbox"/> M2.06	Cilinderkop Cylinder head	05 10 99

pos.	qty	part	benaming	description
1	1	STM3565	Vuldop + O-ring	Cap Assy + O-ring
2	1	STM3566	O-ring	O-ring
3	1	STM1159	Slang	Hose
4	1	STM6254	Hijsoog	Hanger
5	1	STM1160	Bout	Bolt
6-9	1	STM1408	Cilinderkop	Head Assy
			M2.06	M2.06
	1	STM1411	Cilinderkop	Head Assy
			M2.04	M2.04
	1	STM1094	Cilinderkop	Head Assy
			M2.C5/M2.D5	M2.C5/M2.D5
7	4	STM1162	Geleider	Guide
8	1	STM1163	Kap	Cap sealing
9	1	STM1164	Plug	Plug
10	1	STM1409	Pakking	Gasket
			M2.06	M2.06
	1	STM1412	Pakking	Gasket
			M2.04	M2.04
	1	STM1095	Pakking	Gasket
			M2.C5/M2.D5	M2.C5/M2.D5
11	6	STM1166	Bout	Bolt
12	2	STM1167	Bout	Bolt
13	1	STM1168	Plug	Plug
14	1	STM1169	Deksel + pijp	Cover Assy + pijp
15	1	STM1170	Pijp	Pipe
16	1	STM1171	Pakking	Gasket
17	2	STM1172	Moer	Nut
18	2	STM1173	Ring	Washer

groep/ group	blz./ page	type	omschrijving/description	datum/date
2	4	M2.C5	Cilinderkop Cylinder head	05 10 99
		M2.D5		
		M2.04		
		M2.06		



# onderdelencatalogus parts catalogue

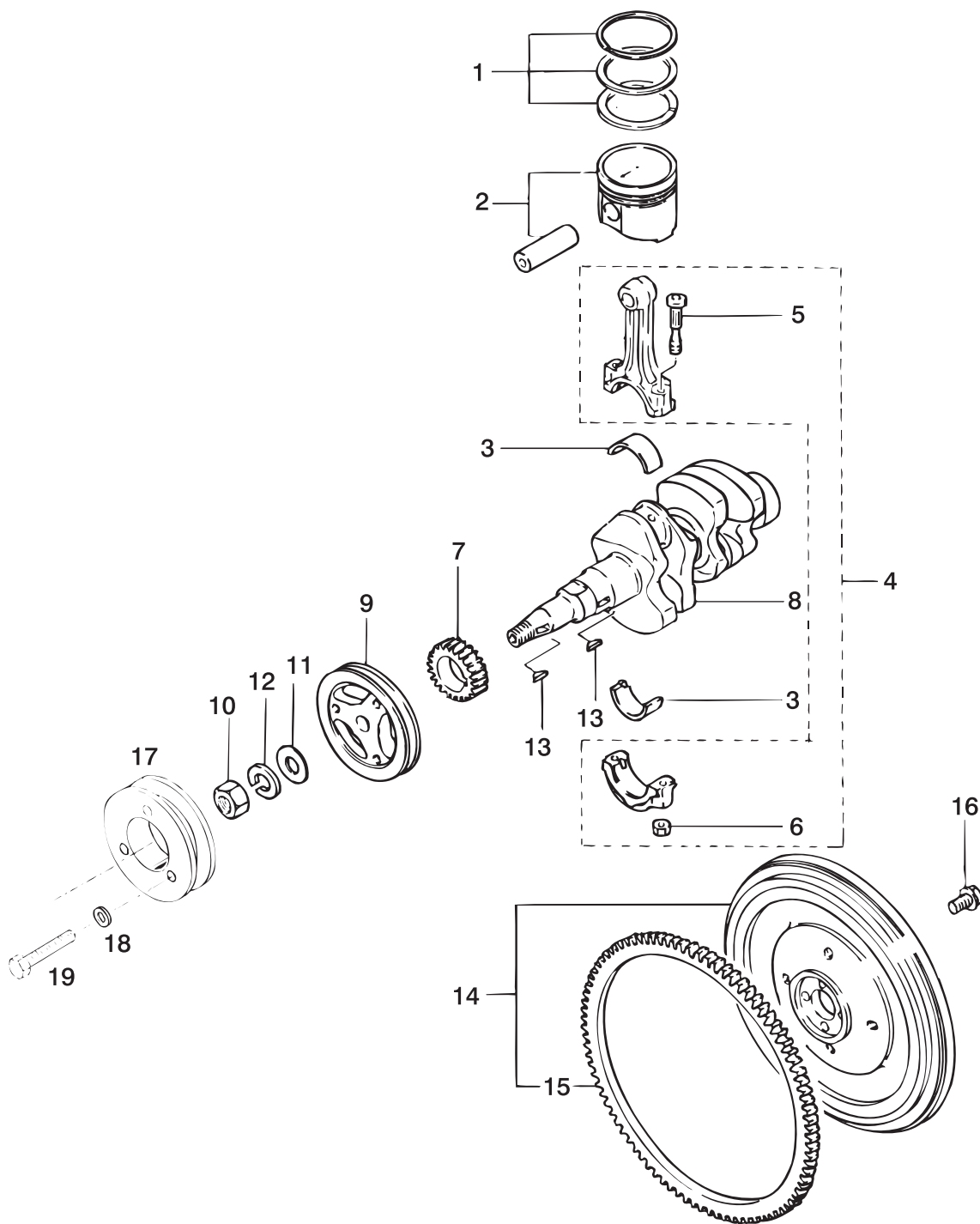


groep/ group	blz./ page	type		omschrijving/description	datum/date
		M2.C5	M2.D5		
2	5	M2.04	M2.06	Krukas Crankshaft	05 10 99

pos.	qty	part	benaming		description	
1	2	STM1397	Ringenset std	M2.06	Ring set std	M2.06
		STM1398	Ringenset 0,25 OS	M2.06	Ring set 0.25 OS	M2.06
		STM1399	Ringenset 0,50 OS	M2.06	Ring set 0.50 OS	M2.06
2		STM1413	Ringenset std	M2.04	Ring set std	M2.04
		STM1414	Ringenset 0,25 OS	M2.04	Ring set 0.25 OS	M2.04
		STM1415	Ringenset 0,50 OS	M2.04	Ring set 0.50 OS	M2.04
2		STM1087	Ringenset std	M2.C5/M2.D5	Ring set std	M2.C5/M2.D5
		STM1088	Ringenset 0,25 OS	M2.C5/M2.D5	Ring set 0.25 OS	M2.C5/M2.D5
		STM1089	Ringenset 0,50 OS	M2.C5/M2.D5	Ring set 0.50 OS	M2.C5/M2.D5
2	2	STM1430	Zuiger std	M2.06	Piston std	M2.06
		STM1431	Zuiger 0,25 OS	M2.06	Piston 0.25 OS	M2.06
		STM1432	Zuiger 0,50 OS	M2.06	Piston 0.50 OS	M2.06
2		STM1436	Zuiger std	M2.04	Piston std	M2.04
		STM1437	Zuiger 0,25 OS	M2.04	Piston 0.25 OS	M2.04
		STM1438	Zuiger 0,50 OS	M2.04	Piston 0.50 OS	M2.04
2		STM1090	Zuiger std	M2.C5/M2.D5	Piston std	M2.C5/M2.D5
		STM1091	Zuiger 0,25 OS	M2.C5/M2.D5	Piston 0.25 OS	M2.C5/M2.D5
		STM1092	Zuiger 0,50 OS	M2.C5/M2.D5	Piston 0.50 OS	M2.C5/M2.D5
3	2	STM1421	Lagerset std	M2.06	Bearing set std	M2.06
		STM1422	Lagerset 0,25 OS	M2.06	Bearing set 0.25 OS	M2.06
		STM1423	Lagerset 0,50 OS	M2.06	Bearing set 0.50 OS	M2.06
2		STM1421	Lagerset std	M2.04	Bearing set std	M2.04
		STM1422	Lagerset 0,25 OS	M2.04	Bearing set 0.25 OS	M2.04
		STM1423	Lagerset 0,50 OS	M2.04	Bearing set 0.50 OS	M2.04
2		STM1421	Lagerset std	M2.C5/M2.D5	Bearing set std	M2.C5/M2.D5
		STM1422	Lagerset 0,25 OS	M2.C5/M2.D5	Bearing set 0.25 OS	M2.C5/M2.D5
		STM1423	Lagerset 0,50 OS	M2.C5/M2.D5	Bearing set 0.50 OS	M2.C5/M2.D5
4	2	STM1420	Drijfstang cpl	M2.06	Rod cpl	M2.06
	2	STM1419	Drijfstang cpl	M2.04	Rod cpl	M2.04
	2	STM1097	Drijfstang cpl	M2.C5/M2.D5	Rod cpl	M2.C5/M2.D5
5	4	STM1177	Bout		Bolt	
6	4	STM3586	Moer		Nut	
7	1	STM1179	Tandwiel		Gear	
8	1	STM1180	Krukas		Crankshaft	
9	1	STM1181	Pulley krukas		Pulley crankshaft	
10	1	STM1182	Moer		Nut	
11	1	STM1183	Ring		Washer	
12	1	STM1184	Ring		Washer	
13	2	STM1185	Spie		Key	
14	1	STM1186	Vliegwiél cpl		Flywheel assy	
15	1	STM3600	Tandkrans		Gear	
16	4	STM1187	Bout		Bolt	
17	1	STM1035	Extra Pulley- optie		Extra Pulley- option	
18	3	STM2022	Ring		Washer	
19	3	STM4013	Bout M10x1,25x30		Bolt M10x1,25x30	



groep/ group	blz./ page	type	omschrijving/description	datum/date
2	5	M2.C5	Krukas Crankshaft	05 10 99
		M2.D5		
		M2.04		
		M2.06		



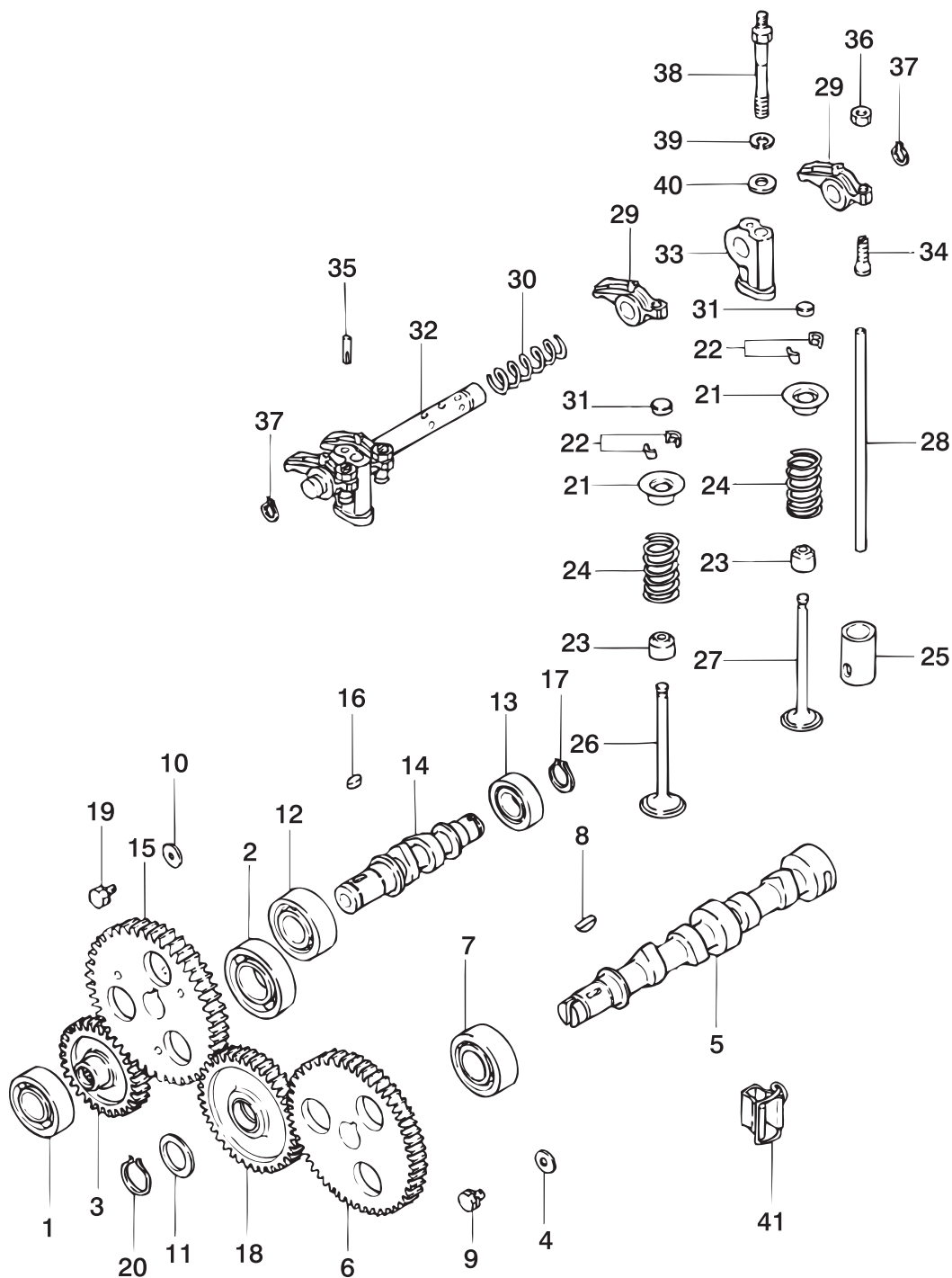
# onderdelencatalogus parts catalogue



groep/ group	blz./ page	type		omschrijving/description	datum/date
2	6	M2.C5	M2.D5	Distributie	05 10 99
		M2.04	M2.06	Time Gear	

pos.	qty	part	benaming	description
1	1	STM1198	Lager	Bearing
2	1	STM1189	Lager	Bearing
3	1	STM1190	Tandwiel	Gear
4	1	STM1191	Ring	Washer
5	1	STM1192	Nokkenas	Camshaft
6	1	STM1193	Tandwiel	Gear
7	1	STM1198	Lager	Bearing
8	1	STM3604	Spie	Key
9	1	STM1195	Bout	Bolt
10	1	STM1196	Ring	Washer
11	1	STM8002	Ring	Washer
12	1	STM1198	Lager	Bearing
13	1	STM1199	Lager	Bearing
14	1	STM1200	As	Shaft
15	1	STM1201	Tandwiel	Gear
16	1	STM1202	Spie	Key
17	1	STM1203	Borg veer	Snap ring
18	1	STM1204	Tandwiel cpl	Gear assy
19	1	STM1205	Bout	Bolt
20	1	STM1206	Ring	Snap ring
21	4	STM3620	Veerschotel	Retainer valve spring
22	8	STM2588	Klep spie	Lock valve retainer
23	4	STM2589	Ring	Seal
24	4	STM1207	Veer	Spring
25	4	STM1208	Klepstoter	Tappet
26	2	STM1209	Klep inlaat	Valve intake
27	2	STM1210	Klep uitlaat	Valve exhaust
28	4	STM1211	Stoterstang	Rod push
29	4	STM1212	Tuimelaar	Rocker arm
30	1	STM3612	Veer	Spring
31	4	STM1213	Steun tuimelaar as	Stay rockershaft
32	1	STM1214	As	Shaft
33	2	STM3613	Steun	Stay
34	4	STM1215	Schroef	Screw
35	1	STM1216	Pen	Pin
36	4	STM1217	Moer	Nut
37	2	STM3614	Borg ring	Snap ring
38	2	STM1218	Bout	Bolt
39	2	STM1219	Ring	Washer
40	2	STM1220	Ring	Washer
41	1	STM1221	Klem	Clamp

groep/ group	blz./ page	type		omschrijving/description	datum/date
		2	6		



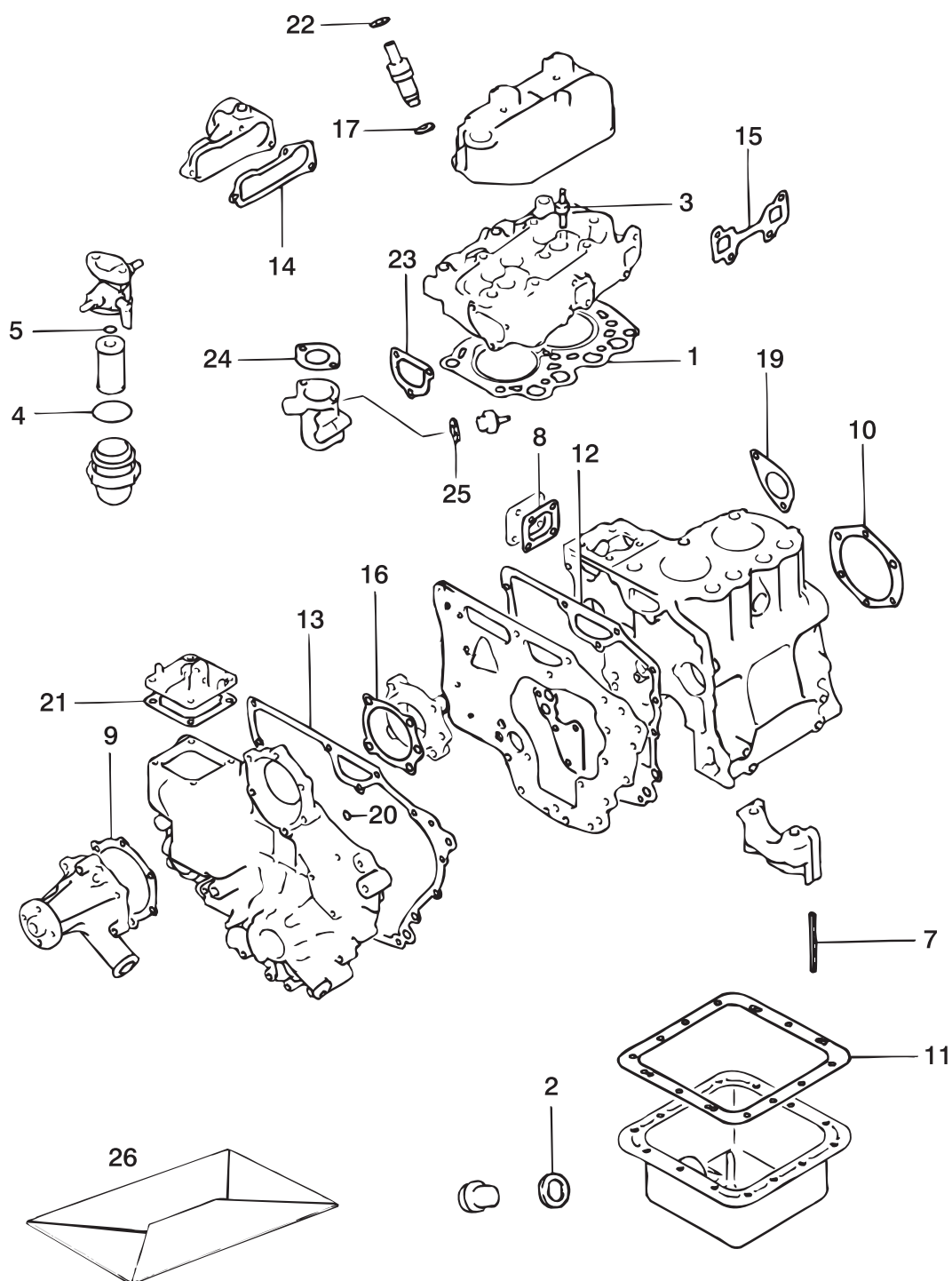
# onderdelencatalogus parts catalogue



groep/ group	blz./ page	type		omschrijving/description	datum/date
		M2.C5	M2.D5		
2	7	M2.04	M2.06	Pakkingset Gasket kit	05 10 99

pos.	qty	part	benaming	description	
1	1	STM1409	Pakking cilinderkop	M2.06	Gasket cylinder head M2.06
	1	STM1412	Pakking cilinderkop	M2.04	Gasket cylinder head M2.04
	1	STM1095	Pakking cilinderkop	M2.C5/M2.D5	Gasket cylinder head M2.C5/M2.D5
2	2	STM1133	Pakking aftap plug		Gasket drain plug
3	4	STM2589	Ring		Seal
7	4	STM1101	Dichting		Seal
8	1	STM1374	Pakking pomp deksel		Gasket tie rod cover
9	1	STM1230	Pakking waterpomp		Gasket waterpump
10	1	STM1113	Pakking achterplaat		Gasket tearplate
11	1	STM1135	Pakking carterpan		Gasket oilpan
12	1	STM1116	Pakking voorplaat		Gasket frontplate
13	1	STM1147	Pakking distributie deksel		Gasket gearcase
14	1	STM1226	Pakking luchtinlaat		Gasket air intake
15	1	STM6252	Pakking uitlaat		Gasket exhaust
16	1	STM1149	Pakking		Gasket
17	2	STM1299	Pakking verstuiverhouder		Gasket nozzle holder
19	1	STM1114	Pakking opvoerpomp		Gasket pump
20	2	STM1155	O-ring		O-ring
21	1	STM1354	Pakking		Gasket
22	2	STM1303	Pakking		Gasket
23	1	STM1235	Pakking		Gasket
24	1	STM6251	Pakking thermostaathuis		Gasket thermostate housing
25	1	STM6269	Ring		Ring
26	1	STM1424	Pakkingset	M2.06	Gasket kit M2.06
	1	STM1425	Pakkingset	M2.04	Gasket kit M2.04
	1	STM1096	Pakkingset	M2C5/M2.D5	Gasket kit M2.C5/M2.D5

groep/ group	blz./ page	type		omschrijving/description	datum/date
		2	7		



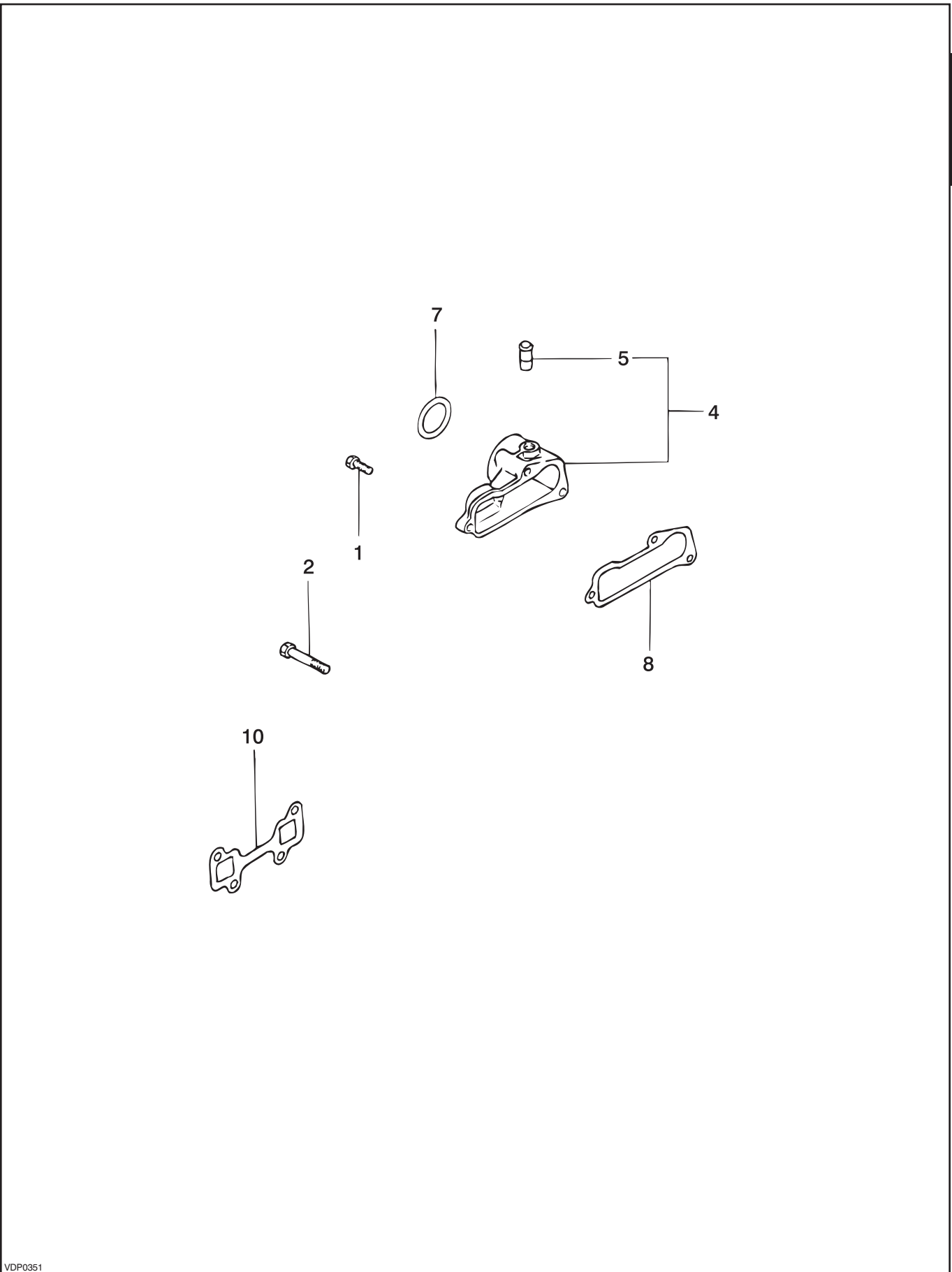
# onderdelencatalogus parts catalogue



groep/ group	blz./ page	type	omschrijving/description	datum/date
2	8	<input type="checkbox"/> M2.C5 <input type="checkbox"/> M2.D5 <input type="checkbox"/> M2.04 <input type="checkbox"/> M2.06	Luchtinlaat Air intake	05 10 99

pos.	qty	part	benaming	description
1	1	STM1222	Bout	Bolt
2	2	STM1223	Bout	Bolt
4	1	STM1224	Deksel + pijp	Cover + pipe
5	1	STM1225	Pijp	Pipe
7	1	STM6120	O-ring	O-ring
8	1	STM1226	Pakking	Gasket
10	1	STM6252	Pakking	Gasket

groep/ group	blz./ page	type	omschrijving/description	datum/date
2	8	<input type="checkbox"/> M2.C5 <input type="checkbox"/> M2.D5 <input type="checkbox"/> M2.04 <input type="checkbox"/> M2.06	Luchtinlaat Air intake	05 10 99



# onderdelencatalogus parts catalogue

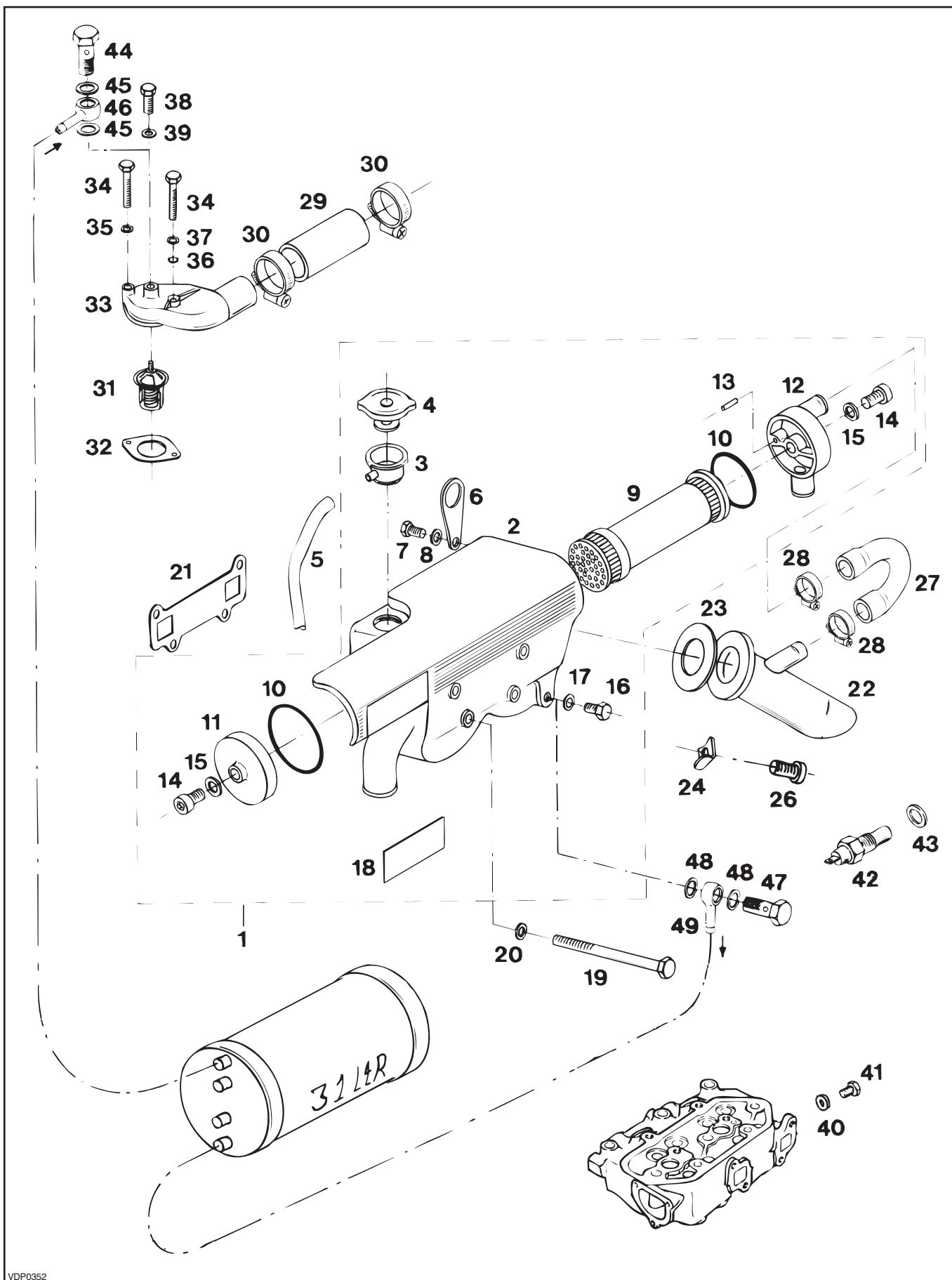


groep/ group	blz./ page	type		omschrijving/description	datum/date
		M2.C5	M2.D5		
3	1	M2.04	M2.06	Warmtewisselaar units Heat exchanger units	27 06 00

pos.	qty	part	benaming	description
1	1	STM6142	Warmtewisselaar compl.	Heatexchanger housing compl.
2	1	STM6140	Warmtewisselaar huis	Heatexchanger housing
3	1	STM6108	Vulnek	Filler neck
4	1	STM1017	Vuldop 0,5 Bar	Filler cap 0.5 Bar
5	1	STM1027	Slang	Hose
6	1	STM6254	Hijsoog	Lifting eye
7	1	STM3355	Bout M8x20	Bolt M8x20
8	1	STM1056	Ring	Washer
9	1	STM6128	Pijpenbundel	Tube stack
10	1	STM6113	O-ring 61x2,5	O-ring 61x2.5
11	1	STM6132	Deksel	Cover
12	1	STM6131	Deksel	Cover
13	1	STM6130	Spanbus	Spring type straight pin slotted
14	2	STM1006	Inbus bout M8x30	Allen screw M8x30
15	2	STM1007	Ring	Washer
16	1	STM1059	Plug M14x1,5	Plug M14x1.5
17	1	STM1062	Ring	Washer
18	1	STM6157	Logoplaatje	Logo plate
19	4	STM6121	Bout M8x110	Bolt M8x110
20	4	STM1019	Ring	Washer
21	1	STM6252	Pakking	Gasket
22	1	STM6117	Uitlaat inject. bocht ø40	Exhaust injection bend ø40
23	1	STM6152	Pakking	Gasket
24	3	STM6126	Kikkerplaatje	Clamp plate
26	3	STM6299	Inbusbout M8x20	Allen screw M8x20
27	1	STM6124	Rubber bocht	Rubber bend
28	2	STM2012	Slangklem 19-28	Hose clamp 19-28
29	1	STM6138	Slang	Hose
30	2	STM6116	Slangklem 26-38	Hose clamp 26-38
31	1	STM6250	Thermostaat 82°C	Thermostat 82°C
32	1	STM6251	Pakking	Gasket
33	1	STM6112	Thermostaat huis	Thermostat housing
34	2	STM6155	Bout M6x35	Bolt M6x35
35	1	STM1025	Ring	Washer
36	1	STM6118	O-ring 6x2	O-ring 6x2
37	1	STM6156	Ring	Washer
38	1	STM6147	Bout M10x1,5x12	Bolt M10x1.5x12
39	1	STM2018	Ring	Washer
40	1	STM1007	Ring	Washer
41	1	STM3796	Bout M8x1,25x10	Bolt M8x1.25x10
42	1	STM2006	Temperatuur schakelaar 75°C	Thermoswitch 75°C
43	1	STM2019	M18x1,5 1p Ring	M18x1.5 1p Washer
44	1	STM6199	Banjo bout M10x1,5	Banjo bolt M10x1.5
45	2	STM2018	Afdichtring M10	Seal washer M10
46	1	STM6196	Banjo oog ø8	Banjo eye ø8
47	1	STM3518	Banjo bout M14x1,5	Banjo bolt M14x1.5
48	2	STM1062	Afdichtring M14	Seal washer M14
49	1	STM3695	Banjo oog ø10	Banjo eye ø10
50	1	STM6235	Set boiler aansluiting	Kit boiler connection



groep/ group	blz./ page	type		omschrijving/description	datum/date
		3	1		
		M2.04	M2.06		



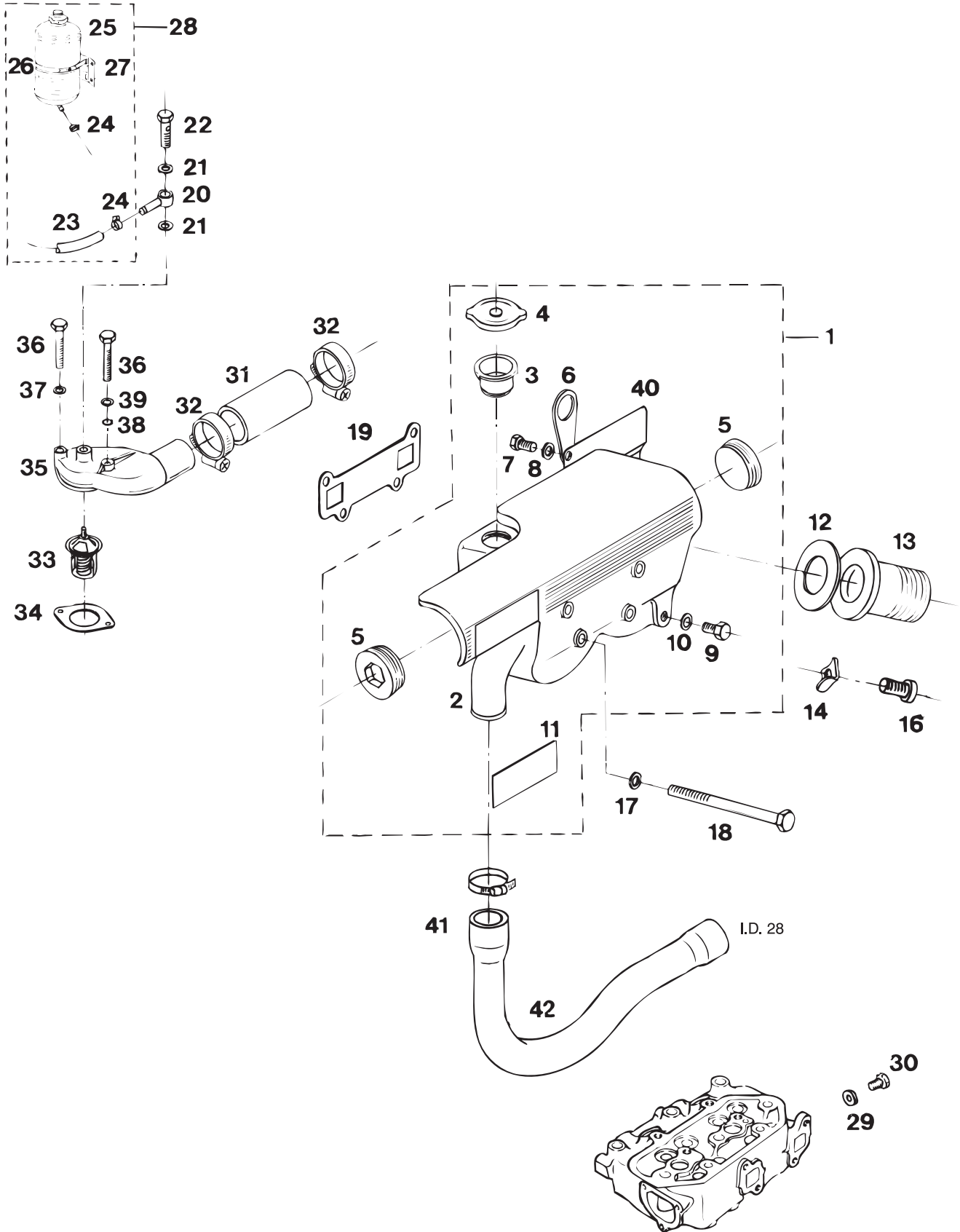
# onderdelencatalogus parts catalogue



groep/ group	blz./ page	type	omschrijving/description	datum/date
3	2	<input type="checkbox"/> M2.C5 <input type="checkbox"/> M2.D5 <input type="checkbox"/> M2.04 <input type="checkbox"/> M2.06	Kielkoelspruitstuk Keelcooler manifold	27 06 00

pos.	qty	part	benaming	description
1	1	STM6177	Kielkoelspruitstuk compl.	Keelcooler manifold compl.
2	1	STM6176	Kielkoelspruitstuk	Keelcooler manifold
3	1	STM3750	Vulnek	Filler neck
4	1	STM9507	Vuldop 'do not open'	Filler cap 'do not open'
5	2	STM4043	Plug G 1,5	Plug G 1.5
6	1	STM6254	Hijsoog	Lifting eye
7	1	STM3355	Bout M8x20	Bolt M8x20
8	1	STM1056	Ring	Washer
9	1	STM1059	Plug M14x1.5	Plug M14x1.5
10	2	STM1062	Ring	Washer
11	1	STM6157	Logo plaatje	Logo plate
12	1	STM6152	Pakking	Gasket
13	1	STM6179	Uitlaatflens G 1 1/4	Exhaust flange G 1 1/4
14	3	STM6126	Kikkerplaatje	Clamp plate
16	3	STM6299	Inbusbout M8x20	Allen screw M8x20
17	4	STM1019	Ring	Washer
18	4	STM6121	Bout M8x110	Bolt M8x110
19	1	STM6252	Pakking	Gasket
20	1	STM6198	Banjo oog	Banjo eye
21	2	STM2018	Ring	Washer
22	1	STM6199	Banjo bout	Banjo bolt
23	1	STM9504	Slang L=1,5 mtr.	Hose L=1,5 mtr.
24	2	STM9505	Slangklem	Hose clamp
25	1	STM9501	Expansie tank	Headertank
26	1	STM9503	Slangklem	Hose clamp
27	1	STM9502	Bevestigingsbeugel	Support
28	1	STM9500	Expansietank compl. (23 t/m 27)	Headertank compl. (23 till 27)
29	1	STM1007	Ring	Washer
30	1	STM3796	Bout M8x1,25x10	Bolt M8x1.25x10
31	1	STM6138	Slang	Hose
32	2	STM6116	Slangklem 26-38	Hose clamp 26-38
33	1	STM6250	Thermostaat 82°C	Thermostat 82°C
34	1	STM6251	Pakking	Gasket
35	1	STM6112	Thermostaat huis	Thermostat housing
36	2	STM6155	Bolt M6x35	Bolt M6x35
37	1	STM1025	Ring	Washer
38	1	STM6118	O-ring 6x2	O-ring
39	1	STM6156	Ring	Washer
40	1	STM6236	Afschermplaat	Protection plate
41	1	STM6116	Slangklem 26-38	Hoseclamp 26-38
42	1	STM6178	Slang	Hose

groep/ group	blz./ page	type		omschrijving/description	datum/date
		M2.C5	M2.D5		
3	2	M2.04	M2.06	Kielkoelspruitstuk Keelcooler manifold	27 06 00



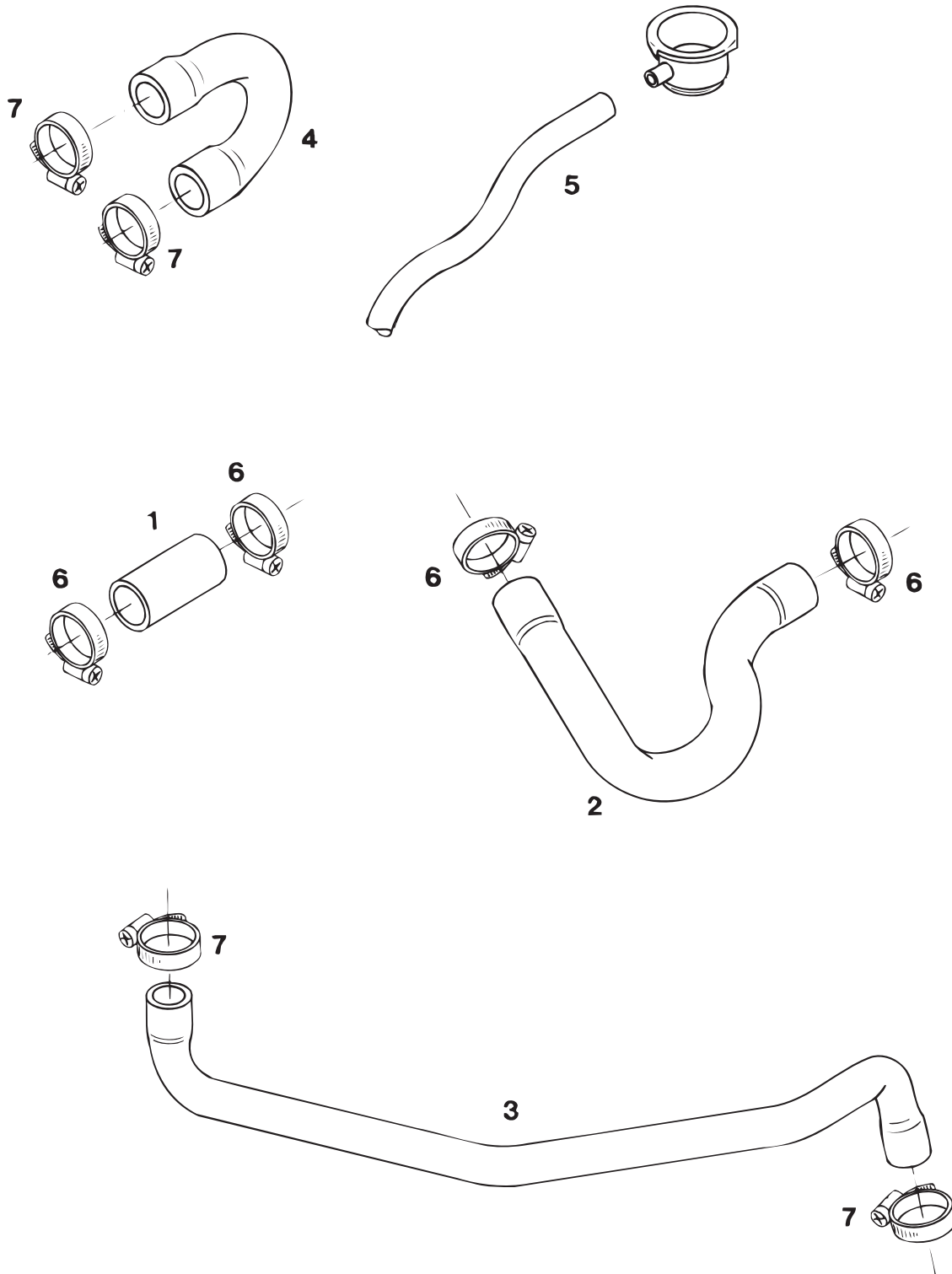
# onderdelencatalogus parts catalogue



groep/ group 3	blz./ page 3	type		omschrijving/description Slangen Hoses	datum/date 05 10 99
		M2.C5	M2.D5		
		M2.04	M2.06		

pos.	qty	part	benaming	description
1	1	STM6138	Slang	Hose
2	1	STM6178	Slangbocht Binnenwater	Hose bend coolant
3	1	STM6123	Slangbocht buitenwater	Hose bend raw water
4	1	STM6124	Slangbocht uitlaat	Hose bend exhaust
5	1	STM1027	Slang vulnek	Hose filler neck
6	4	STM6116	Slangklem 26-38	Hose clamp 26-38
7	4	STM2012	Slangklem 19-28	Hose clamp 19-28

groep/ group	blz./ page	type		omschrijving/description	datum/date
		3	3		



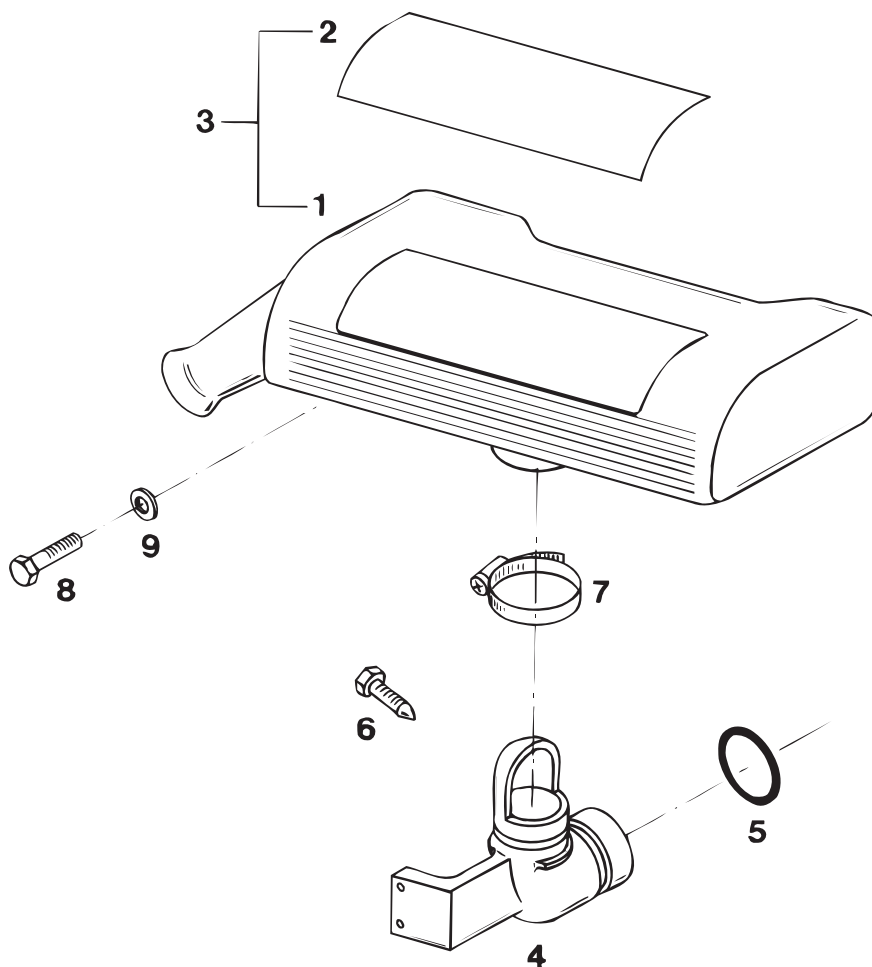
# onderdelencatalogus parts catalogue



groep/ group	blz./ page	type	omschrijving/description	datum/date
3	4	<input type="checkbox"/> M2.C5 <input type="checkbox"/> M2.D5 <input type="checkbox"/> M2.04 <input type="checkbox"/> M2.06	Luchtinlaatkast Air intake Housing	05 10 99

pos.	qty	part	benaming		description	
1	1	STM6119	Luchtinlaatkast		Air intake housing	
2	1	STM6133	Sticker	M2.06	Sticker	M2.06
	1	STM6227	Sticker	M2.04	Sticker	M2.04
	1	STM6240	Sticker	M2.C5	Sticker	M2.C5
	1	STM6295	Sticker	M2.D5	Sticker	M2.D5
3	1	STM6158	Luchtinlaatkast cpl.	M2.06	Air intake housing cpl.	M2.06
	1	STM6228	Luchtinlaatkast cpl.	M2.04	Air intake housing cpl.	M2.04
	1	STM6241	Luchtinlaatkast cpl.	M2.C5	Air intake housing cpl.	M2.C5
	1	STM6296	Luchtinlaatkast cpl.	M2.D5	Air intake housing cpl.	M2.D5
4	1	STM6114	Luchtinlaat bocht		Air intake bend	
5	1	STM6120	O-ring 36x3,5		O-ring 36x3,5	
6	1	STM6139	Stelschroef M6x12		Setting screw M6x12	
7	1	STM3012	Slangklem 38x50		Hose clamp 38x50	
8	1	STM3355	Bout M8x20		Bolt M8x20	
9	1	STM3749	Ring		Washer	

groep/ group	blz./ page	type		omschrijving/description	datum/date
		3	4		



# onderdelencatalogus parts catalogue

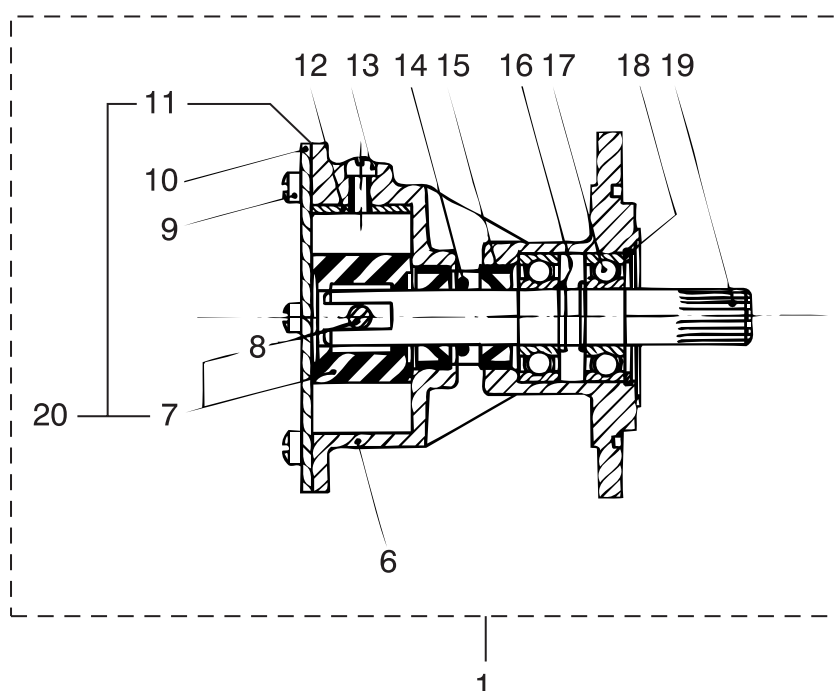
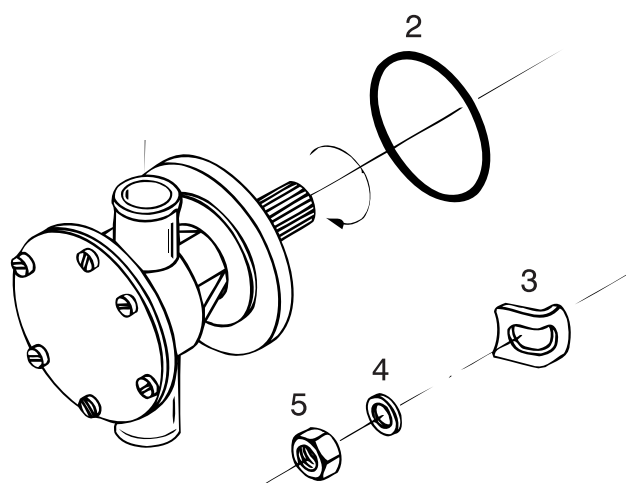


groep/ group	blz./ page	type	omschrijving/description	datum/date
3	5	<input type="checkbox"/> M2.C5 <input type="checkbox"/> M2.D5 <input type="checkbox"/> M2.04 <input type="checkbox"/> M2.06	Zeewaterpomp Seawater pump	05 10 99

pos.	qty	part	benaming	description
1	1	STM6109	Pomp 1/2 Kam.	Pump 1/2 cam.
2	1	STM6127	O-ring	O-ring
3	4	STM6126	Kikkerplaatje	Clamp plate
4	4	STM1056	Ring	Washer
5	4	STM2005	Moer M8	Nut M8
6	1	STM6160	Huis	Housing
7	1	STM8061	Impeller+schroef	Impeller+screw
8	1	STM6162	Schroef	Screw
9	6	STM6163	Schroef	Screw
10	1	STM6164	Deksel	Cover
11	1	STM8002	Pakking	Gasket
12	1	STM6166	Kam 1/2 (2 mm)	Cam 1/2 (2 mm)
13	1	STM6167	Schroef	Screw
14	1	STM6168	O-ring	O-ring
15	2	STM6169	Keerring	Lip seal
16	2	STM6170	Borgring	Retaining ring
17	2	STM6171	Lager	Bearing
18	1	STM6172	Borgring	Retaining ring
19	1	STM6173	As	Shaft
20	1	STM6174	Rep. set 7+11	Repair kit 7+11



groep/ group	blz./ page	type	omschrijving/description	datum/date
3	5	M2.C5	Zeewaterpomp Seawater pump	05 10 99
		M2.D5		
		M2.04		
		M2.06		



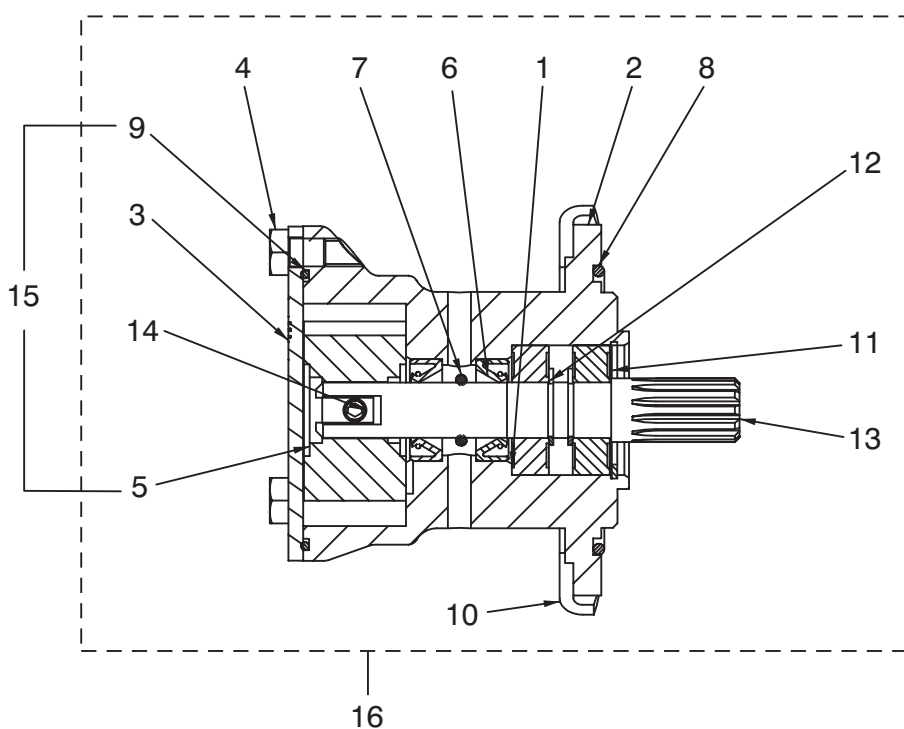
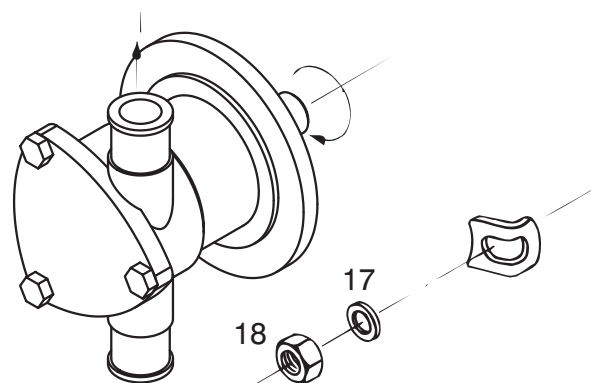
# onderdelencatalogus parts catalogue



groep/ group 3	blz./ page 5a	type		omschrijving/description Zeewaterpomp Seawater pump	datum/date 11 01 05
		<input type="text" value="M2.C5"/>	<input type="text" value="M2.D5"/>		
		<input type="text"/>	<input type="text" value="M2.06"/>		

pos.	qty	part	benaming	description
1	2	STM6171	Lager	Bearing
2	1	STM6249	Huis ½ kam	Housing ½ cam
3	1	STM7688	Deksel	Cover
4	3	STM7689	Schroef	Screw
5	1	STM6161	Impeller	Impeller
6	2	STM6169	Keerring	Lip seal
7	1	STM6168	O-ring	O-ring
8	1	STM6127	O-ring	O-ring
9	1	STM7696	O-ring	O-ring
10	4	STM6126	Kikkerplaatje	Clamp plate
11	1	STM6172	Borgring	Retaining ring
12	2	STM6170	Borgring	Retaining ring
13	1	STM6173	As	Shaft
14	1	STM6162	Schroef	Screw
15	1	STM7691	Rep.set 5+9	Repair kit 5+9
16	1	STM6109	Pomp ½ kam	Pump ½ cam
17	4	STM1056	Veerring M8	Spring washer M8
18	4	STM2005	Moer M8	Nut M8

groep/ group	blz./ page	type	omschrijving/description	datum/date
3	5a	<input type="checkbox"/> M2.C5 <input type="checkbox"/> M2.D5 <input type="checkbox"/> <input type="checkbox"/> M2.06	Zeewaterpomp Seawater pump	28 01 04



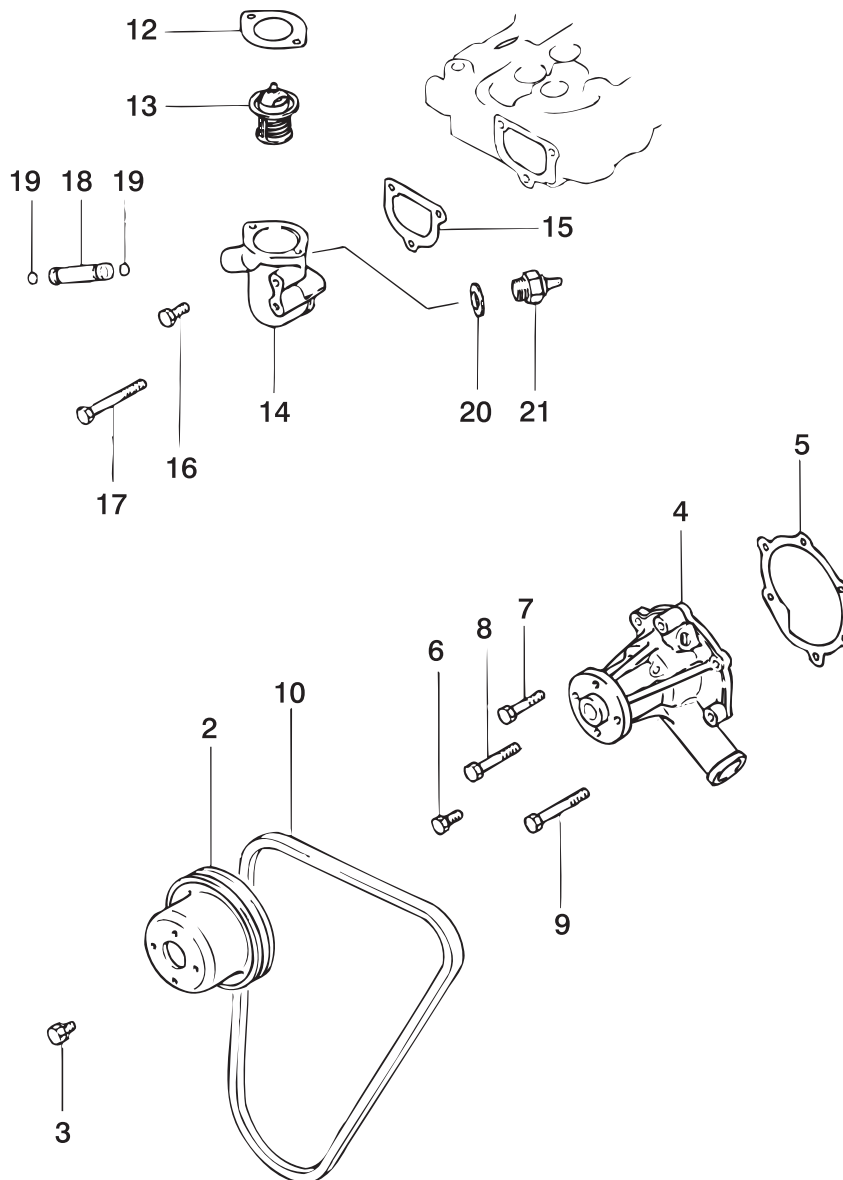
# onderdelencatalogus parts catalogue



groep/ group	blz./ page	type	omschrijving/description	datum/date
3	6	<input type="checkbox"/> M2.C5 <input type="checkbox"/> M2.D5 <input type="checkbox"/> M2.04 <input type="checkbox"/> M2.06	Circulatiepomp Circulation pump	05 10 99

pos.	qty	part	benaming	description
2	1	STM1227	Pulley waterpomp	Pulley water pump
3	4	STM1228	Bout	Bolt
4	1	STM1229	Pomp	Pump assy
5	1	STM1230	Pakking	Gasket
6	2	STM1231	Bout	Bolt
7	1	STM6155	Bout	Bolt
8	1	STM1232	Bout	Bolt
9	2	STM1233	Bout	Bolt
10	1	STM6263	V-snaar L=905	V-belt L=905
12	1	STM6251	Pakking	Gasket
13	1	STM6250	Thermostaat 71 °C	Thermostat 71 °C
14	1	STM1234	Houder	Fitting
15	1	STM1235	Pakking	Gasket
17	1	STM1236	Bout	Bolt
18	1	STM1237	Pijp	Pipe
19	2	STM1238	O-ring	O-ring
20	1	STM6269	Afdichtring	Seal washer
21	1	STM6268	Temperatuur schakelaar 111 °C binnenwater M16x1,5 1p	Thermo switch 111 °C coolant M16x1.5 1p

groep/ group	blz./ page	type	omschrijving/description	datum/date
3	6	M2.C5	Circulatiepomp	05 10 99
		M2.D5	Circulation pump	
		M2.04		
		M2.06		



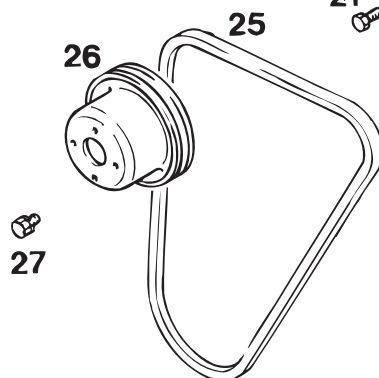
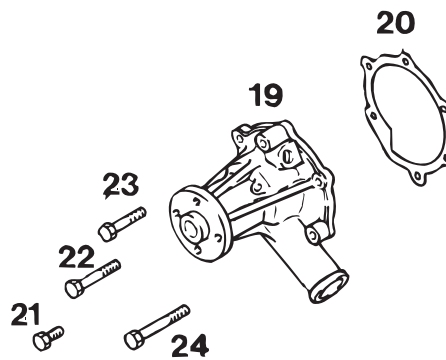
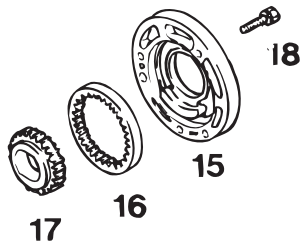
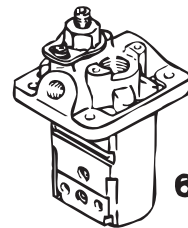
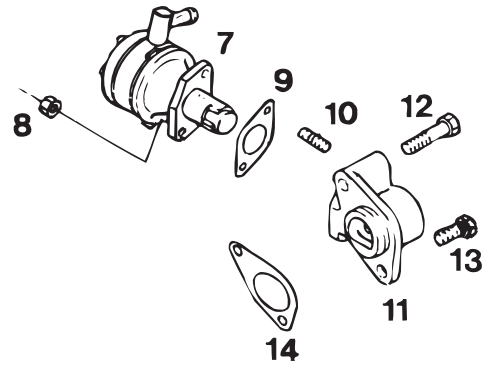
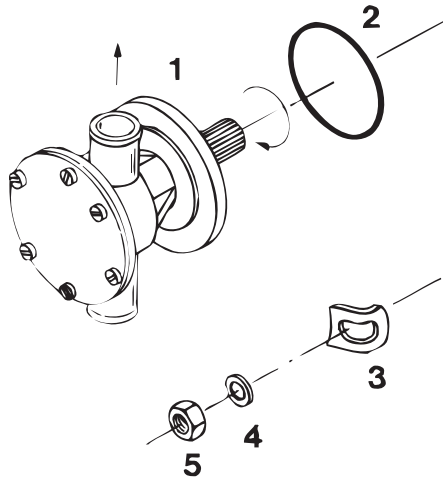
# onderdelencatalogus parts catalogue



groep/ group 3	blz./ page 7	type		omschrijving/description Pompen Pumps	datum/date 05 10 99
		M2.C5	M2.D5		
		M2.04	M2.06		

pos.	qty	part	benaming	description	
1	1	STM6109	Zeewaterpomp	Seawater pump	
2	1	STM6127	O-ring	O-ring	
3	4	STM6126	Kikkerplaatje	Clamp plate	
4	4	STM1019	Ring	Washer	
5	4	STM2005	Moer M8	Nut M8	
6	1	STM1426	Brandstofpomp	Fuel pump	M2.06
	1	STM1427	Brandstofpomp	Fuel pump	M2.04
	1	STM1098	Brandstofpomp	Fuel pump	M2.C5/M2.D5
7	1	STM1127	Brandstofopvoerpomp	Fuel lifting pump	
8	2	STM3260	Moer M6	Nut M6	
9	1	STM1128	Pakking	Gasket	
10	2	STM1130	Tapeind M6x14	Stud M6x14	
11	1	STM1129	Adaptor	Adaptor	
12	1	STM2258	Bout M8x45	Bolt M8x45	
13	1	STM3255	Bout M8x20	Bolt M8x20	
14	1	STM1114	Pakking	Gasket	
15	1	STM1145	Oliepomp huis	Oil pump housing	
16	1	STM1144	Tandwiel buiten	Gear outer	
17	1	STM1143	Tandwiel binnen	Gear inner	
18	3	STM2260	Bout M6x30	Bolt M6x30	
19	1	STM1229	Waterpomp binnenwater	Waterpump coolant	
20	1	STM1230	Pakking	Gasket	
21	2	STM1231	Bout M6x18	Bolt M6x18	
22	1	STM6155	Bout M6x35	Bolt M6x35	
23	1	STM1232	Bout M6x45	Bolt M6x45	
24	2	STM1233	Bout M6x55	Bolt M6x55	
25	1	STM6263	V-snaar L=905	V-belt L=905	
26	1	STM1227	Pulley waterpomp	Pulley waterpomp	
27	4	STM1228	Bout M6x12	Bolt M6x12	

groep/ group	blz./ page	type		omschrijving/description	datum/date
		3	7		
		M2.04	M2.06		



# onderdelencatalogus parts catalogue

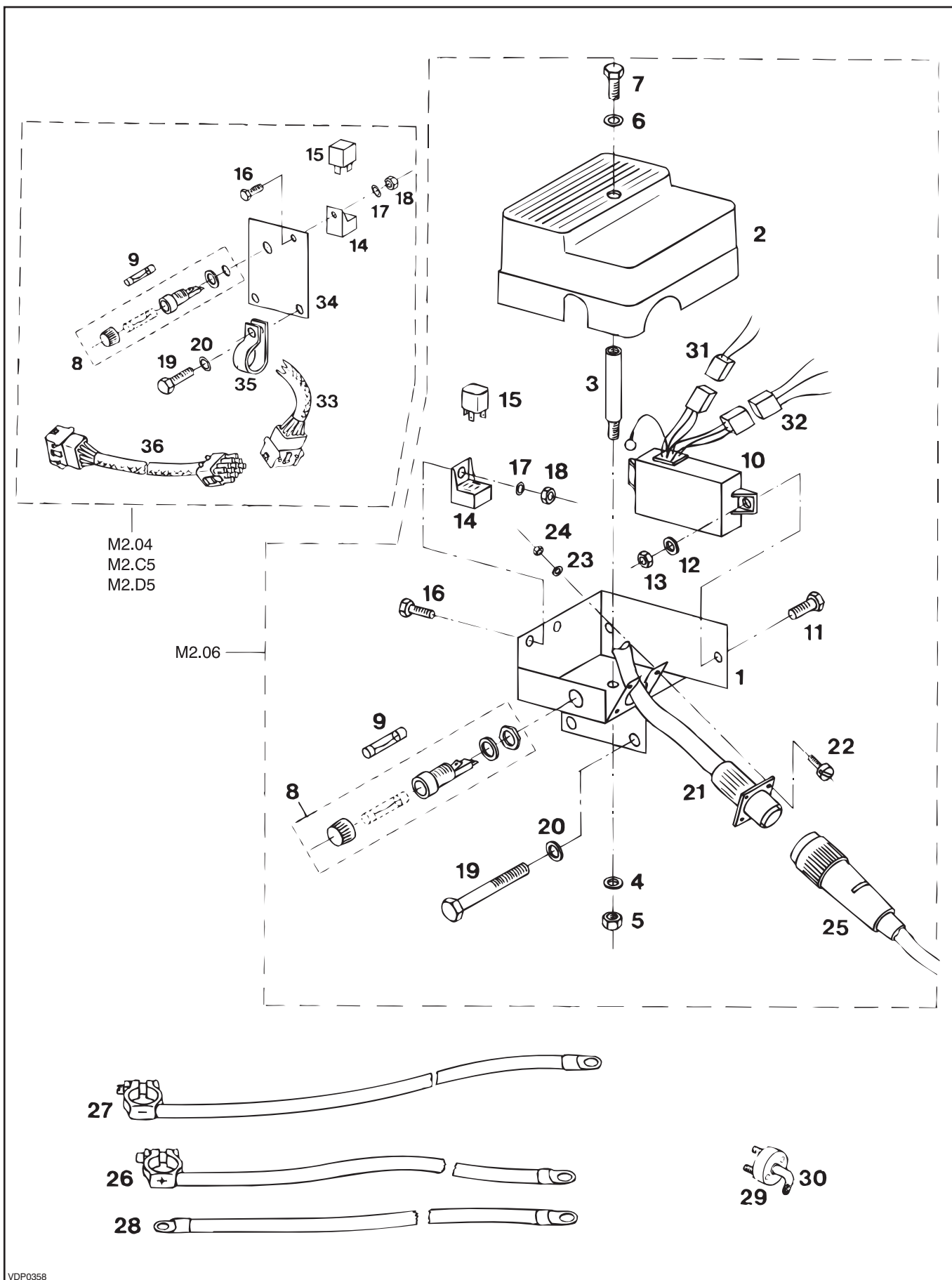


groep/ group	blz./ page	type	omschrijving/description	datum/date
4	1	<input type="checkbox"/> M2.C5 <input type="checkbox"/> M2.D5 <input type="checkbox"/> M2.04 <input type="checkbox"/> M2.06	Bedradingskast Terminal box	05 10 99

pos.	qty	part	benaming	description
1	1	STM6134	Bedradingssteun	Wiring support
2	1	STM6135	Deksel	Cover
3	1	STM6146	Afstandhouder	Distance piece
4	1	STM1707	Ring	Washer
5	1	STM1705	Moer M5	Nut M5
6	1	STM1025	Ring	Washer
7	1	STM9063	Bout M5x10	Bolt M5x10
8	1	STM9184	Zekeringhouder	Fuse support
9	1	STM9185	Zekering 10A traag ø6,3x32	Fuse 10A slow ø6,3x32
10	1	STM6253	Stoptimer	Control timer
11	2	STM1030	Bout M6x20	Bolt M6x20
12	2	CT40029	Ring	Washer
13	2	STM3260	Moer M6	Nut M6
14	1	STM9052	Insteekvoet	Relay foot
15	1	STM9050	Relais	Relay
16	1	STM9063	Bout M5x10	Bolt M5x10
17	1	STM1707	Ring	Washer
18	1	STM1705	Moer M5	Nut M5
19	2	STM3355	Bout M8x20	Bolt M8x20
20	2	STM1019	Ring	Washer
21	1	STM6203	Motorbedrading	Engine wiring
22	4	STM6145	Bout M3x16	Bolt M3x16
23	4	STM6143	Ring	Washer
24	4	STM6144	Moer M3	Nut M3
25	1	STM6222	Tussenkabel 2 mtr. std.	Connection cable 2 mtr. std.
	1	STM6223	Tussenkabel 4 mtr.	Connection cable 4 mtr.
	1	STM6224	Tussenkabel 6 mtr.	Connection cable 6 mtr.
	1	STM6225	Tussenkabel 12 mtr.	Connection cable 12 mtr.
26	1	STM3714	+ Accukabel	+ Battery cable
27	1	STM3715	- Accukabel	- Battery cable
28	1	STM3713	Tussenkabel	Intermediate loom
29	1	STM3712	Hoofdschakelaar	Main switch
30	1	STM3762	Steutel	Key
31	1	STM6275	Stekkerhuls	Connector
32	1	STM6276	Stekkerhuls	Connector
33	1	STM6229	Motorbedrading	Engine Wiring
34	1	STM6231	Bevestigingspl.	Support
35	1	STM3066	Leidingklem	Pipe Clamp
36	1	STM9056	Tussenkabel 2mtr.	Connection Cable 2mtr



groep/ group	blz./ page	type		omschrijving/description	datum/date
		M2.C5	M2.D5		
4	1	M2.04	M2.06	Bedradingskast Terminal box	05 10 99



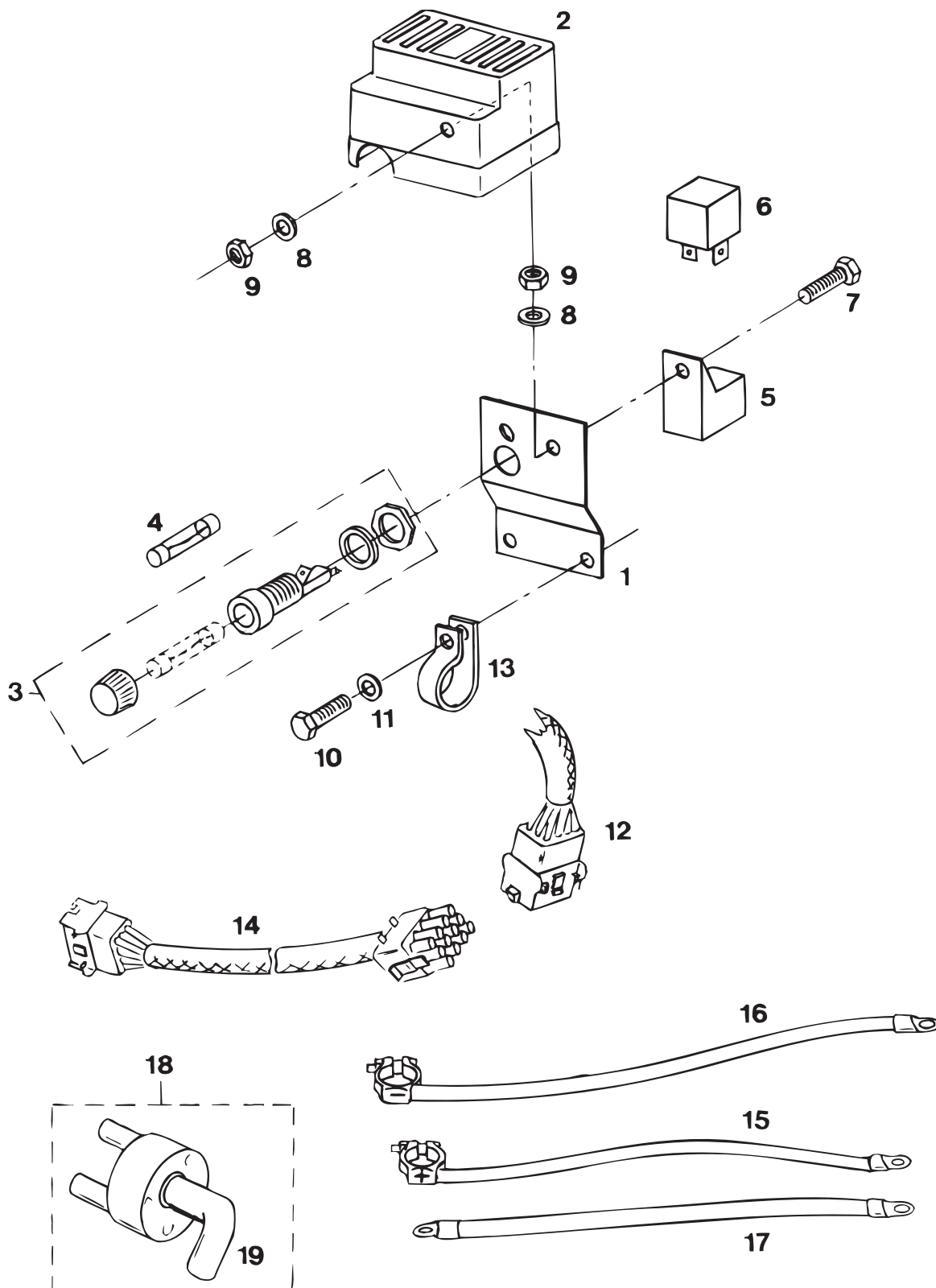
# onderdelencatalogus parts catalogue



groep/ group	blz./ page	type	omschrijving/description	datum/date
4	1a	<input type="checkbox"/> M2.C5 <input type="checkbox"/> M2.D5 <input type="checkbox"/> M2.04 <input type="checkbox"/> M2.06	Bedradingskast Terminal box	05 10 99

pos.	qty	part	benaming	description
1	1	STM6246	Bedradingssteun	Wiring support
2	1	STM6248	Deksel	Cover
3	1	STM9184	Zekeringhouder	Fuse support
4	1	STM9185	Zekering 10A traag ø6,3x32	Fuse 10A slow ø6,3x32
5	1	STM9052	Insteekvoet	Relay foot
6	1	STM9050	Relais	Relay
7	1	CT40075	Bout M5x16	Bolt M5x16
8	2	STM8177	Gegolfde veerring M5	Wave spring washer M5
9	2	STM1705	Moer M5	Nut M5
10	2	STM3355	Bout M8x20	Bolt M8x20
11	2	STM1019	Ring	Washer
12	1	STM6229	Motorbedrading	Engine Wiring
13	1	STM3066	Leidingklem	Pipe Clamp
14	1	STM9056	Tussenkabel 2mtr.	Connection Cable 2mtr
15	1	STM3714	+ Accukabel	+ Battery cable
16	1	STM3715	- Accukabel	- Battery cable
17	1	STM3713	Tussenkabel	Intermediate loom
18	1	STM3712	Hoofdschakelaar	Main switch
19	1	STM3762	Steutel	Key

groep/ group	blz./ page	type	omschrijving/description	datum/date
4	1a	M2.C5	Bedradingskast Terminal box	05 10 99
		M2.D5		
		M2.04		
		M2.06		



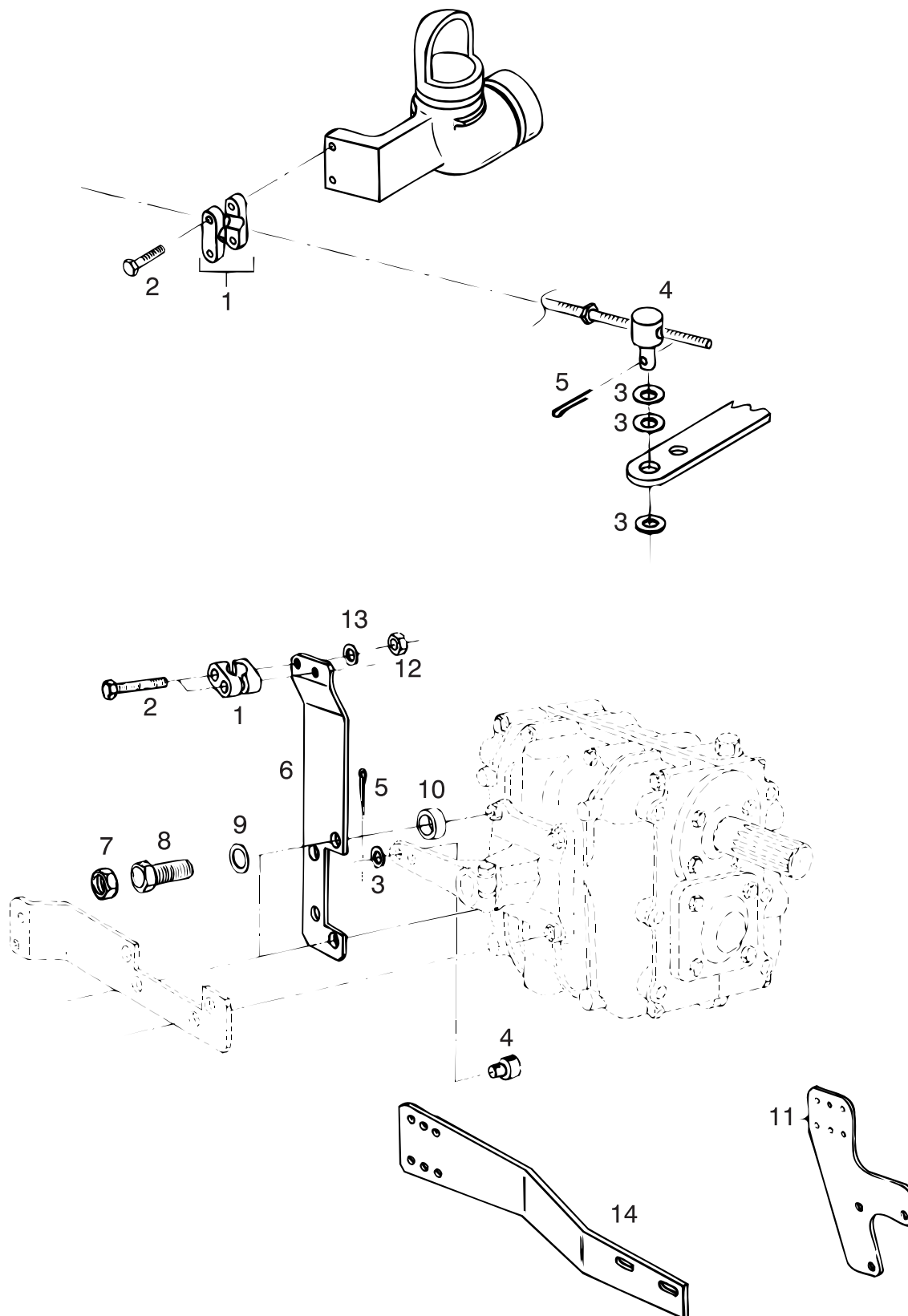
# onderdelencatalogus parts catalogue



groep/ group 4	blz./ page 2	type		omschrijving/description Bediening Controls	datum/date 05 10 99
		M2.C5	M2.D5		
		M2.04	M2.06		

pos.	qty	part	benaming	description
1	1	STM1703	Kabelklem	Cable clamp
2	2	STM1704	Bout M5x25	Bolt M5x25
3	3	STM1807	Ring	Washer
4	1	STM1806	Nippel	Nipple
5	1	STM1808	Splitpen 2x25	Split pin 2x25
6	1	STM1851	Steun Hurth	Support Hurth
7	2	STM2005	Moer M8	Nut M8
8	2	STM1610	Bout M8x25	Bolt M8x25
9	2	STM1019	Ring	Washer
10	2	STM1852	Afstandbus	Distance washer
11	1	STM3767	Steun PRM	Support PRM
12	2	STM1705	Moer M5	Nut M5
13	2	STM1707	Ring M5	Washer M5
14	1	STM6238	Steun TMC40	Support TMC40

groep/ group	blz./ page	type		omschrijving/description	datum/date
		4	2		



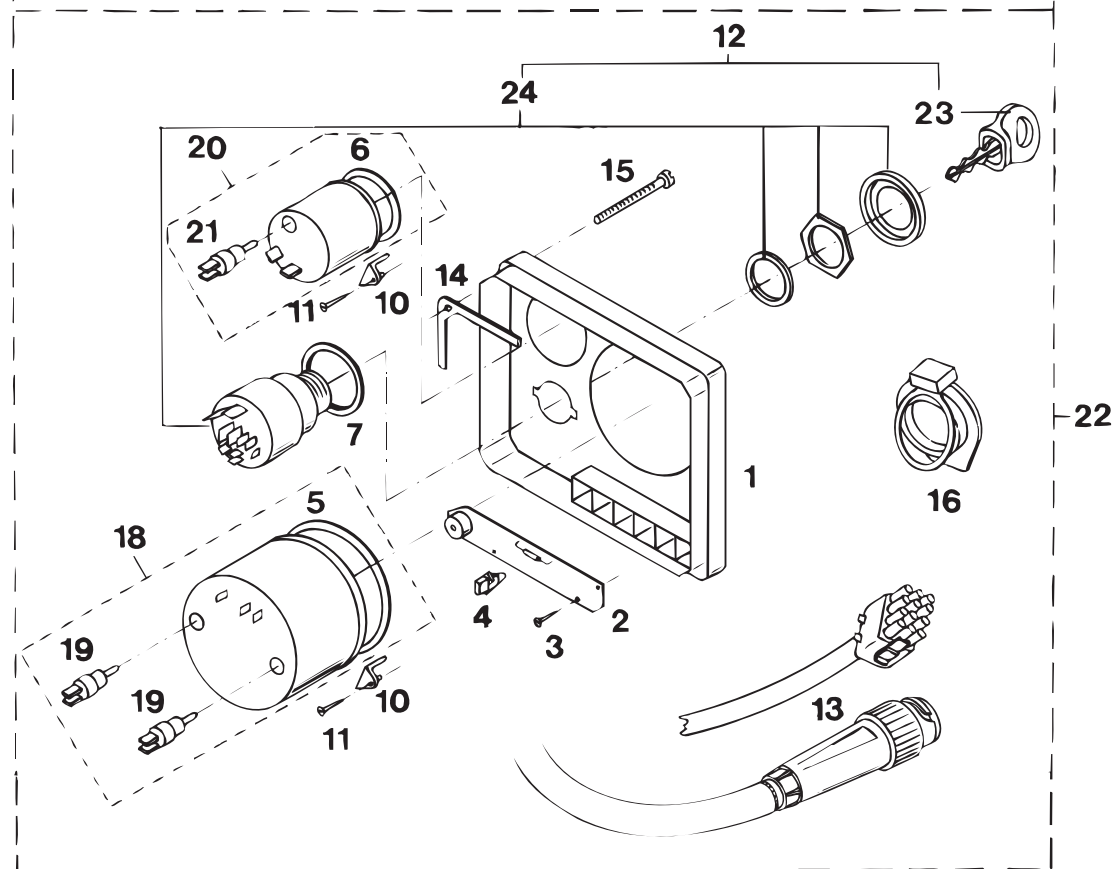
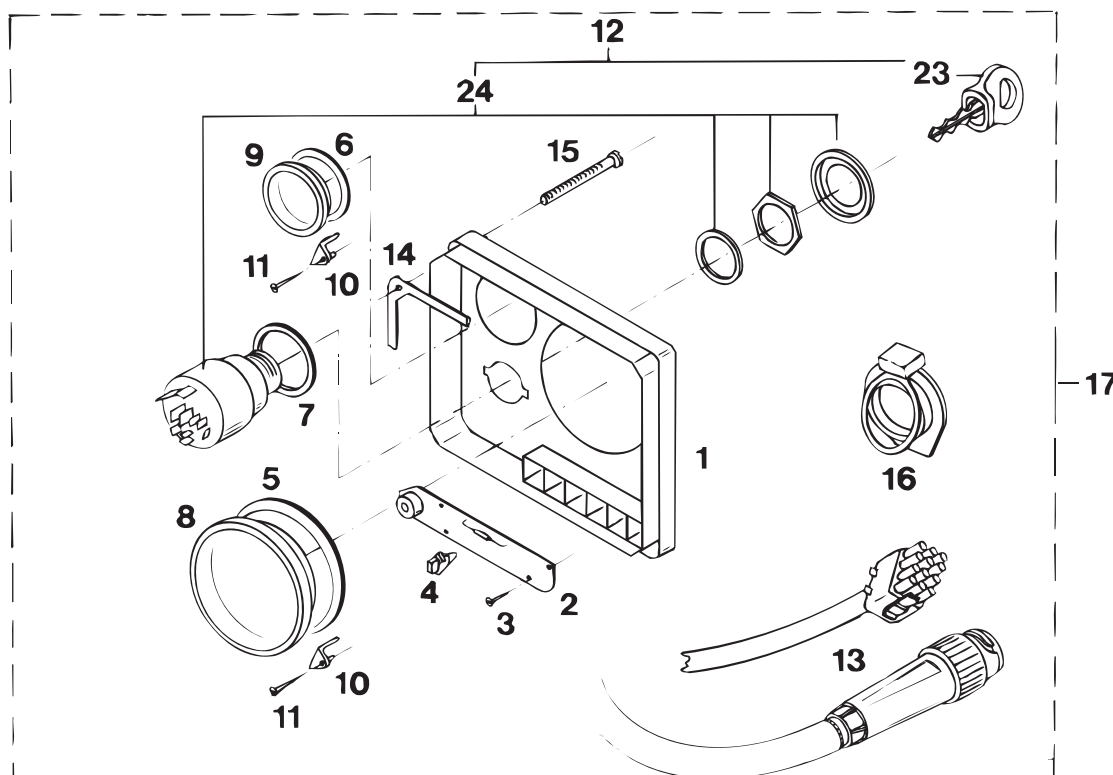
# onderdelencatalogus parts catalogue



groep/ group	blz./ page	type	omschrijving/description	datum/date
4	3	M2.C5 M2.D5 M2.04 M2.06	Instrumenten paneel Instrument panel	05 10 99

pos.	qty	part	benaming		description	
1	1	STM9186	Paneel		Panel	
2	1	STM9168	Print cpl		Print cpl	
3	4	P2295RKP	Plaatschroef		Screw	
4	6	STM9169	Gloeilamp		Bulb	
5	1	STM9170	Pakking		Gasket	
6	1	STM9171	Pakking		Gasket	
7	1	STM9172	Pakking		Gasket	
8	1	STM9173	Blindplaat ø98		Blind plate ø98	
9	1	STM9174	Blindplaat ø48		Blind plate ø48	
10	6	PA6488	Beugel		Support	
11	6	P35164RKP	Plaatschroef		Screw	
12	1	STM9215	Contactslot & steutel		Ignition & key	
13	1	STM6204	Paneelbedrading	M2.06	Panel wiring	M2.06
	1	STM9164	Paneelbedrading		Panel wiring	
14	1	STM9180	Pakking		Gasket	
15	4	P35254ZKP	Plaatschroef		Screw	
16	1	STM9188	Contactslotdeksel		Ignition cover	
17	1	STM6208	Instr.paneel cpl zonder meters	M2.06	Instr.paneel compl. without meters	M2.06
	1	STM9187	Instr.paneel cpl zonder meters		Instr.paneel compl. without meters	
18	1	STM6207	Toerenteller 4000rpm		Tachometer 4000rpm	
19	2	CT40131	Gloeilamp 12V		Bulb 12V	
20	1	STM9177	Voltmeter		Voltage meter	
21	1	CT40133	Gloeilamp 12V		Bulb 12V	
22	1	STM6209	Instr.pan.cpl.incl. meters	M2.06	Instrument panel cpl. meters included	M2.06
	1	STM9197	Instr.pan.cpl.incl. meters		Instrument panel cpl. meters included	
23	1	STM9214	Sleutel		Key	
24	1	STM9213	Contactslot		Ignition	

groep/ group	blz./ page	type		omschrijving/description	datum/date
		4	3		



# onderdelencatalogus parts catalogue

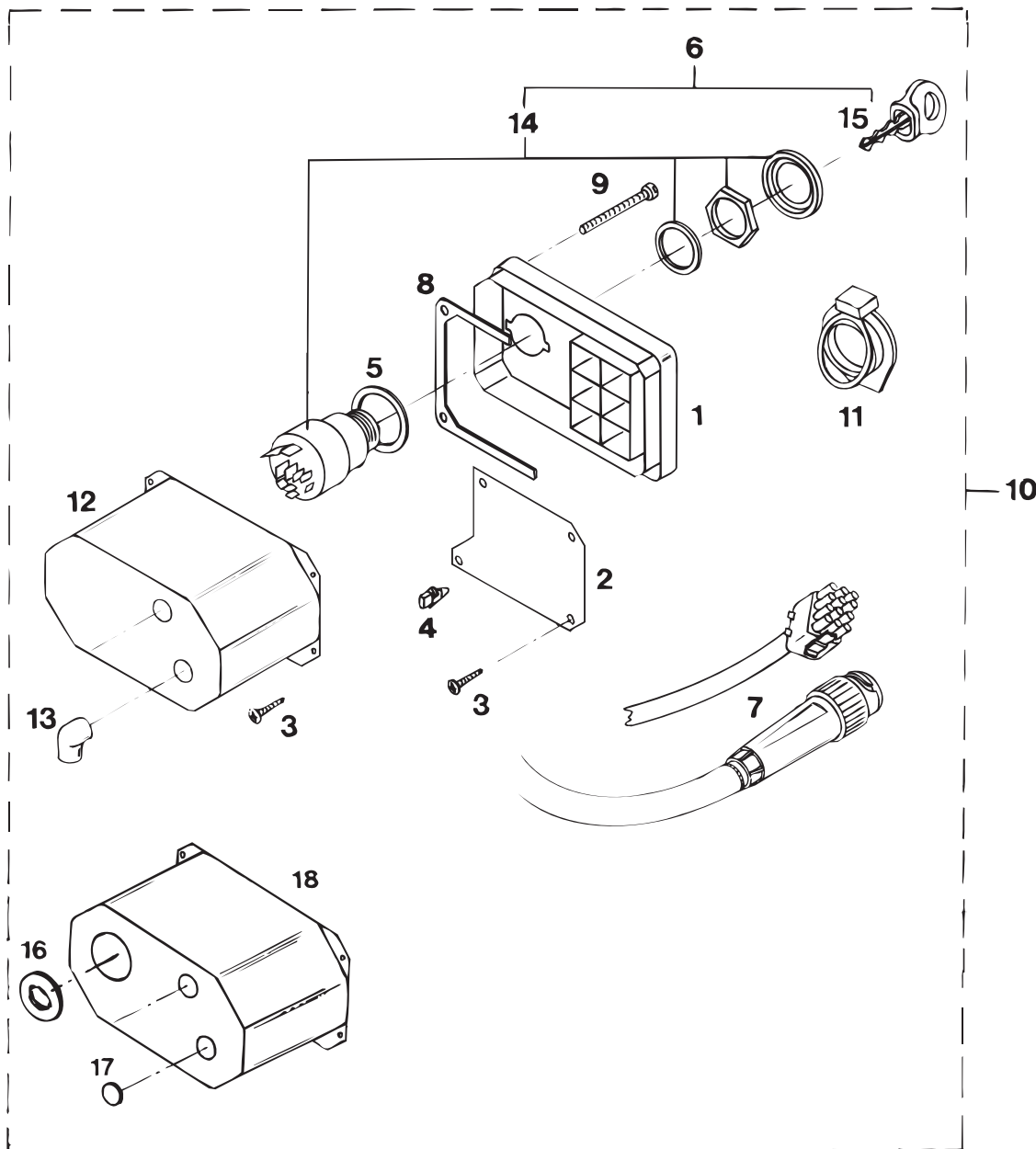


groep/ group	blz./ page	type	omschrijving/description	datum/date
4	4	M2.C5 M2.D5 M2.04 M2.06	Instrumenten paneel MP10 Instrument panel MP10	05 10 99

pos.	qty	part	benaming	description	
1	1	STM9065	Paneel	Panel	
2	1	STM9066	Print cpl	Print cpl	
3	8	P2295RKP	Plaatschroef	Screw	
4	6	STM9169	Gloeilamp	Bulb	
5	1	STM9172	Pakking	Gasket	
6	1	STM9215	Contactslot & steutel	Ignition & key	
7	1	STM6211	Paneelbedrading	Panel wiring	M2.06
	1	STM9067	Paneelbedrading	Panel wiring	
8	1	STM9068	Pakking	Gasket	
9	4	P35254ZKP	Plaatschroef	Screw	
10	1	STM6212	Instr.paneel cpl.	Instr.panel cpl.	M2.06
	1	STM9064	Instr.paneel cpl.	Instr.panel cpl.	
11	1	STM9188	Contactslot deksel	Ignition cover	
12	1	STM9069	Beschermkap	Protective cap	
13	2	STM9070	Trekontlasting	Strain relief	
14	1	STM9213	Contactslot	Ignition	
15	1	STM9214	Sleutel	Key	
16	1	STM7222	Doorvoertule	Grommet	02-99 ->
17	2	STM7254	Blindplaat	Hole plug	02-99 ->
18	1	STM9069	Bechermkap	Protective cap	02-99 ->



groep/ group	blz./ page	type	omschrijving/description	datum/date
4	4	M2.C5	Instrumenten paneel MP10 Instrument panel MP10	05 10 99
		M2.D5		
		M2.04		
		M2.06		



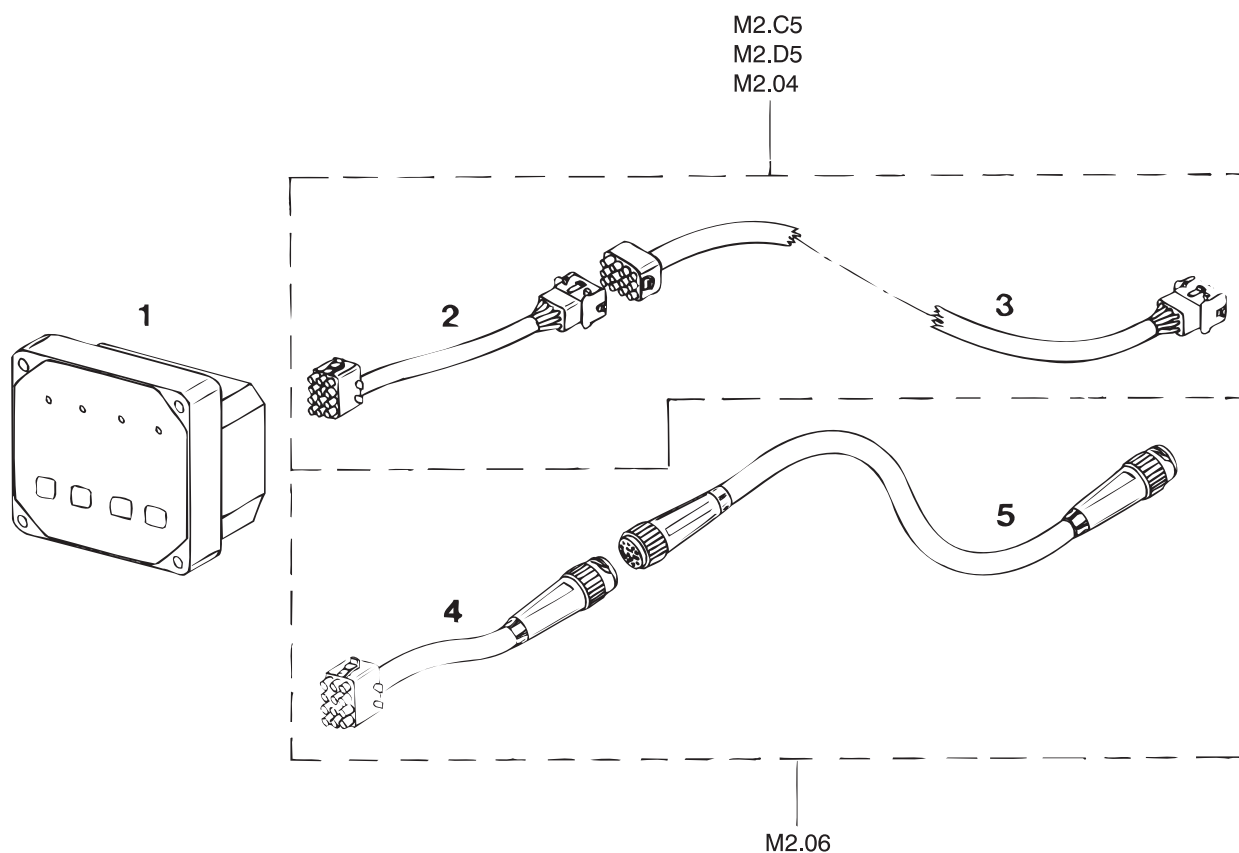
# onderdelencatalogus parts catalogue



groep/ group	blz./ page	type	omschrijving/description	datum/date
4	4a	M2.C5 M2.D5 M2.04 M2.06	Instrumenten paneel MP00 Instrument panel MP00	05 10 99

pos.	qty	part	benaming	description	
1	1	MP00	Paneel cpl.	Panel cpl.	
2	1	STM9135	Interfacekabel	BEDR002	Interface cable BEDR002
3	1	STM9056	Tussenkabel 2mtr.	BEDR1202	Intermediate cable 2mtr. BEDR1202
	1	STM9119	Tussenkabel 4mtr.	BEDR1204	Intermediate cable 4mtr. BEDR1204
	1	STM9132	Tussenkabel 6mtr.	BEDR1206	Intermediate cable 6mtr. BEDR1206
	1	STM3890	Tussenkabel 12mtr.	BEDR1212	Intermediate cable 12mtr. BEDR1212
4	1	STM9136	Interfacekabel	BEDR003	Interface cable BEDR003
5	1	STM6222	Tussenkabel 2mtr.		Intermediate cable 2mtr.
	1	STM6223	Tussenkabel 4mtr.		Intermediate cable 4mtr.
	1	STM6224	Tussenkabel 6mtr.		Intermediate cable 6mtr.
	1	STM6225	Tussenkabel 12mtr.		Intermediate cable 12mtr.

groep/ group	blz./ page	type	omschrijving/description	datum/date
4	4a	M2.C5	Instrumenten paneel MP00 Instrument panel MP00	05 10 99
		M2.D5		
		M2.04		
		M2.06		



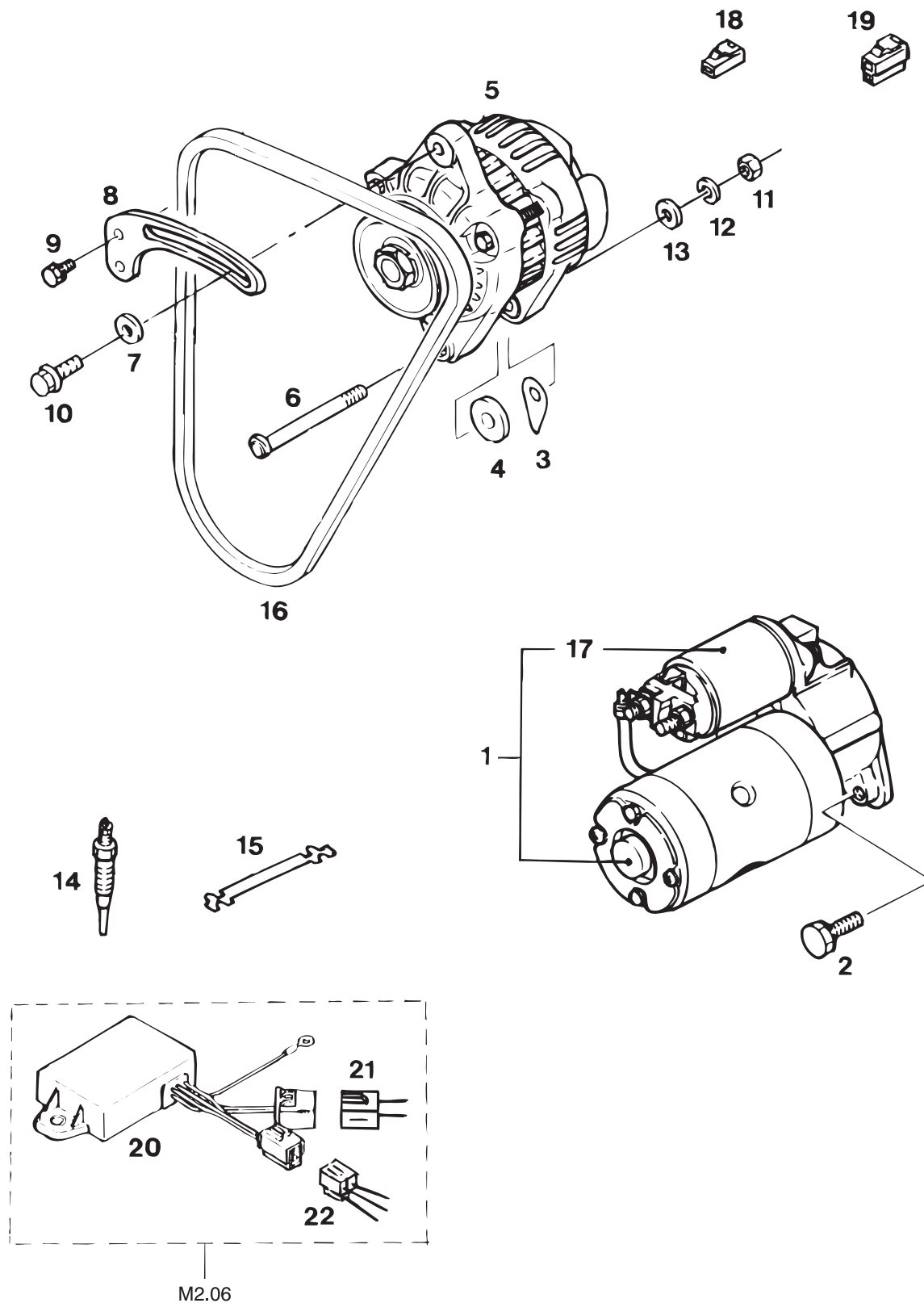
# onderdelencatalogus parts catalogue



groep/ group	blz./ page	type	omschrijving/description	datum/date
4	5	M2.C5 M2.D5 M2.04 M2.06	Startmotor en dynamo Starter motor and alternator	11 01 05

pos.	qty	part	benaming	description	
1	1	STM1241	Starter	Starter assy	
2	2	STM4013	Bout	Bolt	
3	1	STM1660	Shim	Shim	
4	1	STM1242	Vulring	Spacer	
5	1	STM1243	Alternator 12V-40A	Alternator assy 12V-40A	
6	1	STM1620	Bout	Bolt	
7	1	STM3749	Ring	Washer	
8	1	STM1244	Spansteun	Tension support	M2.04/M2.06
	1	STM3930	Spansteun	Tension support	M2.C5/M2.D5
9	1	STM1245	Bout	Bolt	
10	1	STM3683	Bout	Bolt	
11	1	STM1246	Moer	Nut	
12	1	STM1056	Ring	Washer	
13	1	STM1247	Ring	Washer	
14	2	STM6265	Plug	Plug	
15	1	STM6266	Strip	Plate	
16	1	STM6263	V-snaar	V-belt	
17	1	STM1250	Relais	Switch assy	
18	1	STM6277	Stekkerhuls	Connector	
19	1	STM6278	Stekkerhuls	Connector	
20	1	STM6253	Stoptimer	Control timer	M2.06
21	1	STM6275	Stekkerhuls	Connector	M2.06
22	1	STM6276	Stekkerhuls	Connector	M2.06

groep/ group	blz./ page	type		omschrijving/description	datum/date
		4	5		



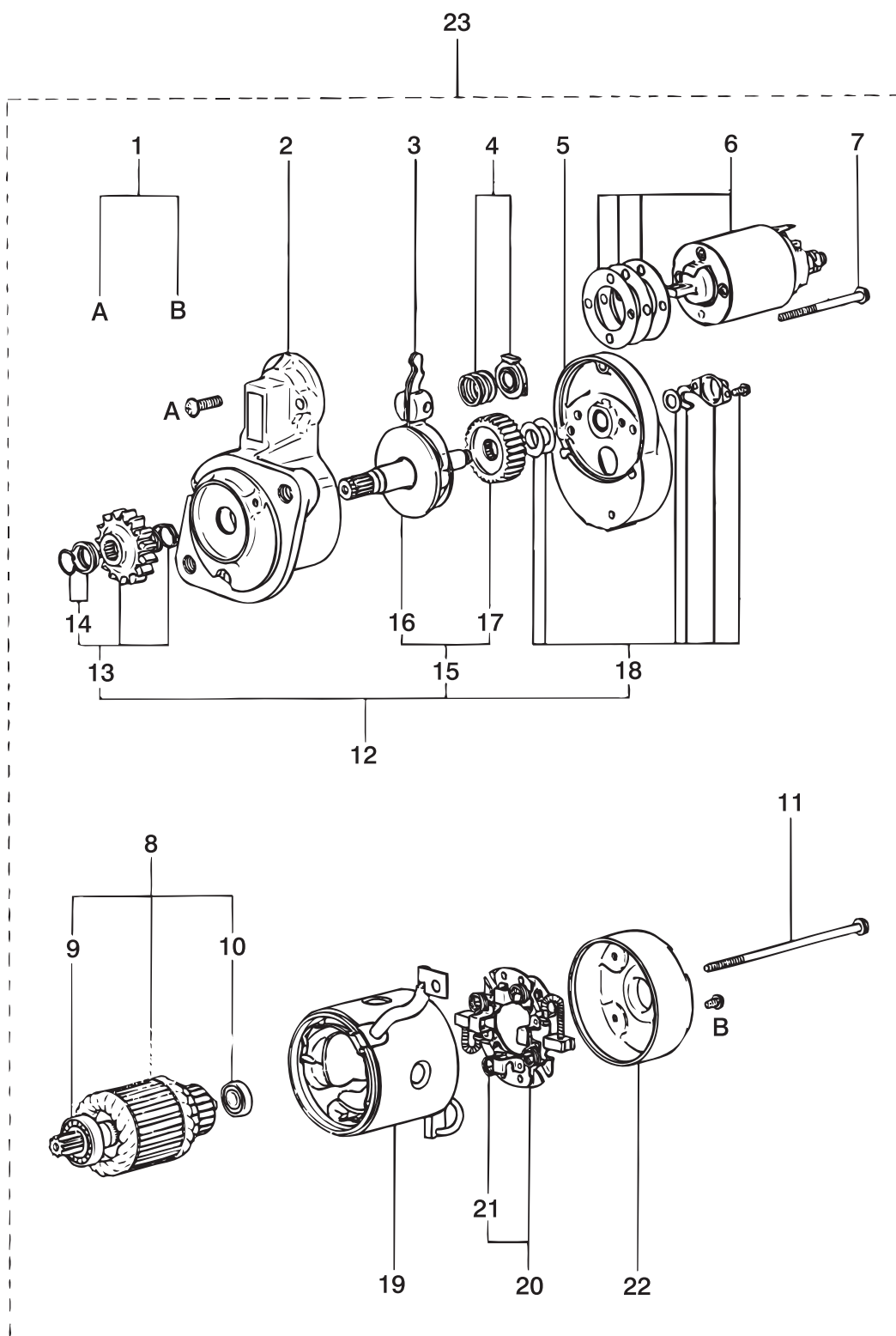
# onderdelencatalogus parts catalogue



groep/ group	blz./ page	type		omschrijving/description	datum/date
4	6	M2.C5	M2.D5	Startmotor	05 10 99
		M2.04	M2.06	Starter motor	

pos.	qty	part	benaming	description
1	1	STM1251	Schroeven set	Screw set
2	1	STM1252	Lantaarn stuk	Bracket assy
3	1	STM1253	Hefboom	Lever assy
4	1	STM1254	Verenset	Spring set
5	1	STM1255	Lantaarn stuk	Bracket assy
6	1	STM1250	Relais	Switch assy
7	1	STM1256	Bout set	Bolt set
8	1	STM1257	Rotor	Armature set
9	1	STM1258	Lager	Bearing
10	1	STM1259	Lager	Bearing
11	2	STM1260	Bout	Bolt
12	1	STM1261	As	Shaft
13	1	STM1262	Rondsel set	Pinion set
14	1	STM1263	Aanslag	Stopper set
15	1	STM1264	Tandwiel set	Gear set
16	1	STM1265	As	Shaft assy
17	1	STM1266	Tandwiel	Gear
18	1	STM1267	Set voor deksel	Cover set
19	1	STM1268	Stator huis	Yoke assy
20	1	STM1269	Houder cpl.	Holder cpl.
21	4	STM1270	Veer	Spring
22	1	STM1271	Beugel	Bracket assy
23	1	STM1241	Startmotor cpl.	Starter assy

groep/ group	blz./ page	type	omschrijving/description	datum/date
4	6	M2.C5	Startmotor Starter motor	05 10 99
		M2.D5		
		M2.04		
		M2.06		



# onderdelencatalogus parts catalogue

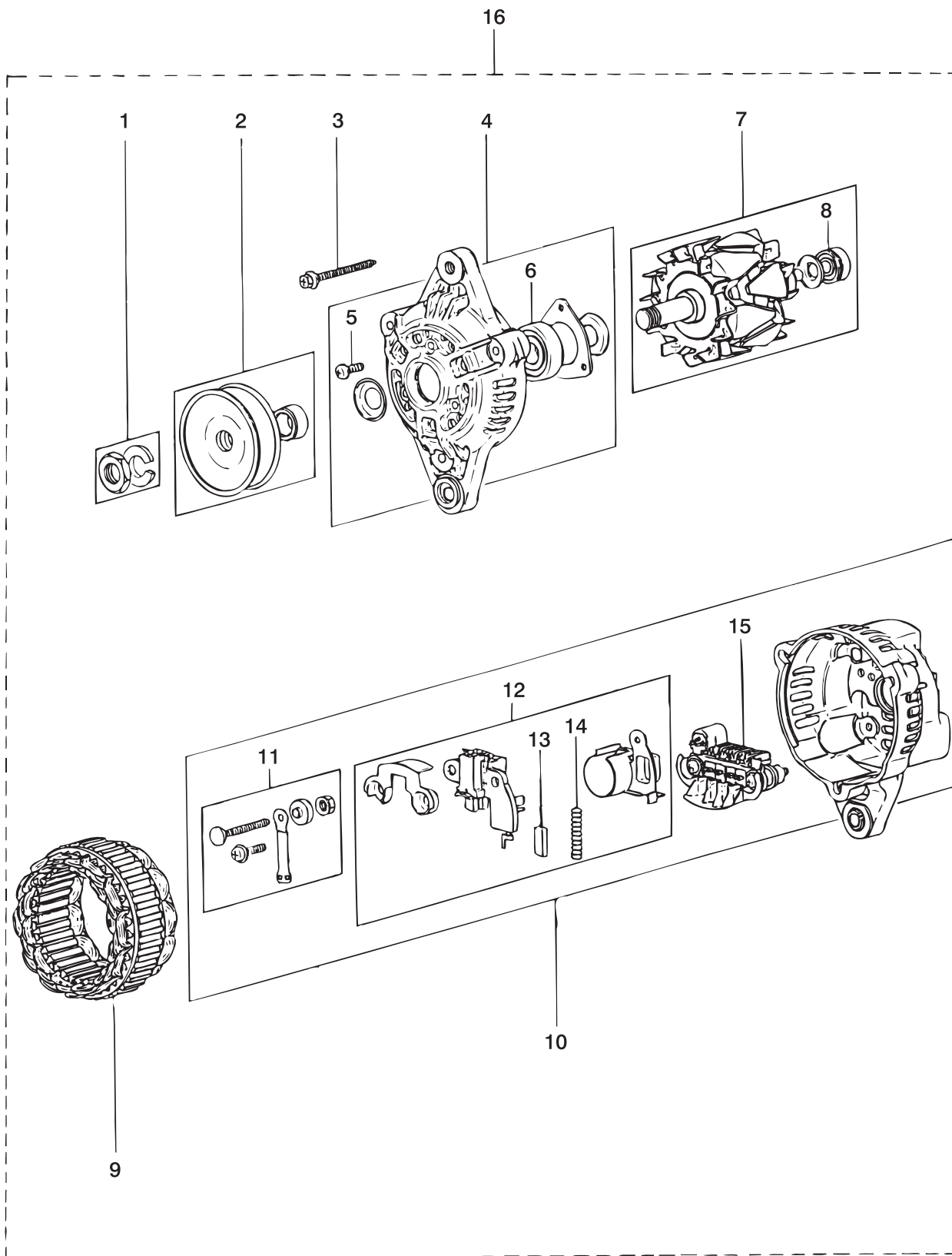


groep/ group 4	blz./ page 7	type		omschrijving/description Dynamo Alternator	datum/date 05 10 99
		M2.C5	M2.D5		
		M2.04	M2.06		

pos.	qty	part	benaming	description
1	1	STM1272	Moer set	Nut set
2	1	STM1273	Pulley set	Pulley set
3	1	STM1274	Bout set	Bolt set
4	1	STM1275	Voordeksel cpl.	Bracket assy
5	1	STM1276	Set schroeven	Screw set
6	1	STM1277	Lager	Bearing
7	1	STM1278	Rotor	Rotor assy
8	1	STM1279	Lager	Bearing
9	1	STM1280	Stator	Stator assy
10	1	STM1281	Achterdeksel cpl.	Bracket
11	1	STM1282	Aansluitklem	Terminal set
12	1	STM1283	Regulator	Regulator assy
13	2	STM1284	Borstel	Brush
14	2	STM1285	Veer	Spring
15	1	STM1286	Diodebrug	Rectifier assy
16	1	STM1243	Dynamo 12V-40A	Alternator assy 12V-40A



groep/ group	blz./ page	type	omschrijving/description	datum/date				
4	7	<table border="1"> <tr> <td>M2.C5</td> <td>M2.D5</td> </tr> <tr> <td>M2.04</td> <td>M2.06</td> </tr> </table>	M2.C5	M2.D5	M2.04	M2.06	Dynamo Alternator	05 10 99
M2.C5	M2.D5							
M2.04	M2.06							



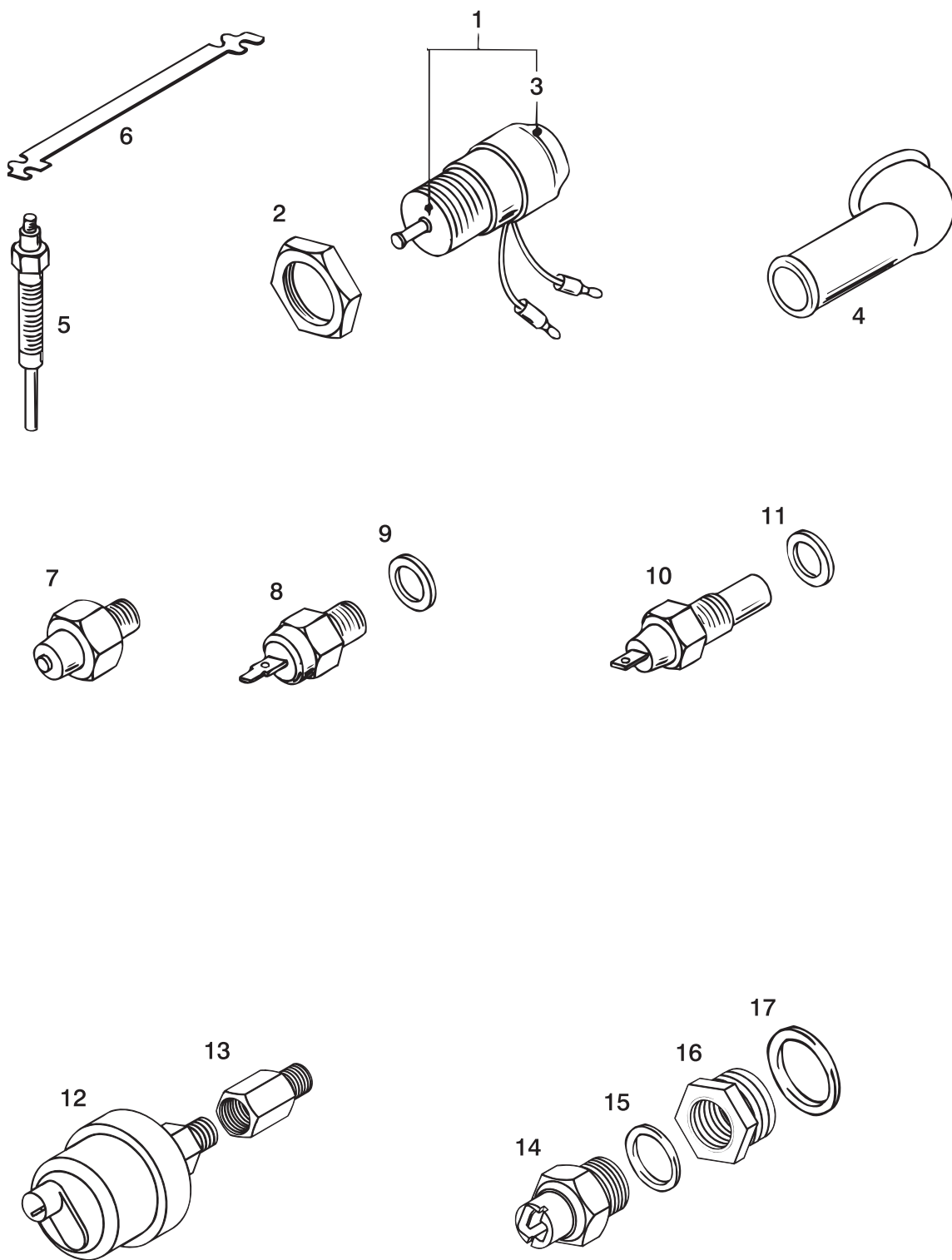
# onderdelencatalogus parts catalogue



groep/ group	blz./ page	type		omschrijving/description	datum/date
		M2.C5	M2.D5		
4	8	M2.04	M2.06	Zenders + schakelaars Sender units + switches	11 01 05

pos.	qty	part	benaming	description
1	1	STM6264	Stopmagneet	Solenoid
2	1	STM2742	Moer	Nut
3	1	STM1375	Rubber kap	Rubber cap
4	1	STM2387	Rubber kap	Rubber cap
5	2	STM6265	Gloei bougie	Glow plug
6	1	STM6266	Strip	Plate
7	1	STM6267	Oliedrukschakelaar M10x1k	Oil pressure switch M10x1k
8	1	STM6268	Temperatuur schakelaar 111°C binnenwater M16x1,5 1p	Thermo switch 111°C coolant M16x1.5 1p
9	1	STM6269	Afdichtring M16	Sealing M16
10	1	STM2006	Temperatuur schakelaar 75°C buitenwater M18x1,5 1p	Thermo switch 75°C Rawwater M18x1.5 1p
11	1	STM2019	Afdichtring	Sealing
12	1	CT40083	Oliedrukzender OILSR08 M10x1k 12-24V. 0-8bar	Oilpressure sender OILSR08 M10x1k 12-24V. 0-8bar
13	1	STM6341	Verloop M10x1 -> M10x1k	Adaptor M10x1 -> M10x1k
14	1	STM8326	Binnenwatertemperatuur zender TEMPSR120 M14x1,5 12-24V. 40-120°C	Coolant temp. sender TEMPSR120 M14x1.5 12-24V. 40-120°C
15	1	STM1062	Afdichtring M14	Sealing M14
16	1	AD14-16	Verloop	Adaptor
17	1	STM6269	Afdichtring M16	Sealing M16

groep/ group	blz./ page	type		omschrijving/description	datum/date
		4	8		



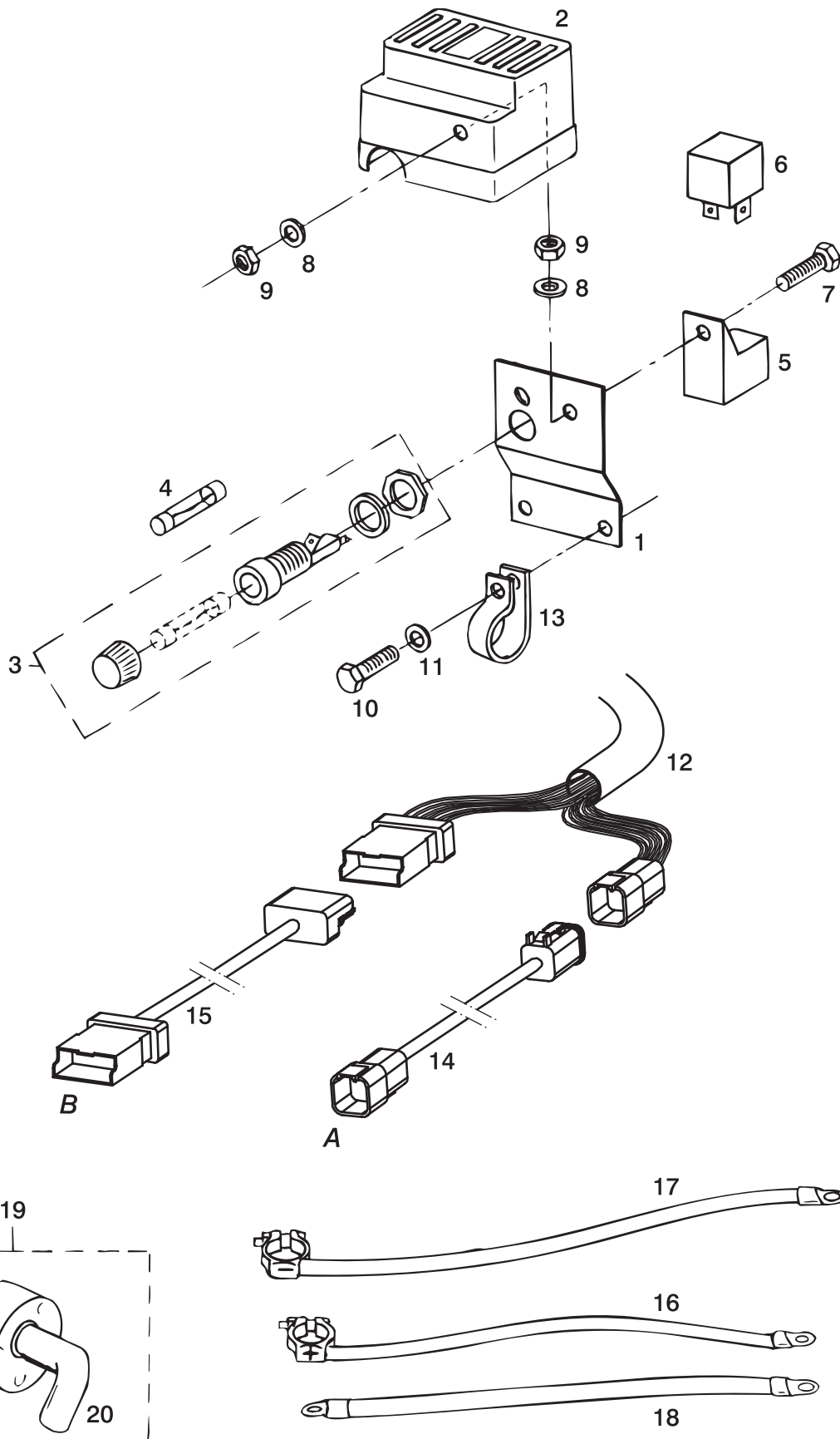
# onderdelencatalogus parts catalogue



groep/ group	blz./ page	type	omschrijving/description	datum/date
4	9	M2.C5 M2.D5 M2.06	Bedradingskast Terminal box	11 01 05

pos.	qty	part	benaming	description
1	1	STM6246	Bedradingssteun	Wiring support
2	1	STM6248	Deksel	Cover
3	1	STM9184	Zekeringhouder	Fuse support
4	1	STM9185	Zekering 10A traag ø6,3x32	Fuse 10A slow ø6,3x32
5	1	STM9052	Insteekvoet	Relay foot
6	1	STM9050	Relais	Relay
7	1	CT40075	Bout M5x16	Bolt M5x16
8	2	STM8177	Gegolfde veerring M5	Wave spring washer M5
9	2	STM1705	Moer M5	Nut M5
10	2	STM3355	Bout M8x20	Bolt M8x20
11	2	STM1019	Ring	Washer
12	1	STM6921	Motorbedrading	Engine Wiring
13	1	STM3066	Leidingklem	Pipe Clamp
14	1	STM6941	Tussenkabel A, 2mtr grijs 6polig	Intermediate cable A, 2mtr grey 6 pole
	1	STM6942	Tussenkabel A, 4mtr grijs 6polig	Intermediate cable A, 4mtr grey 6 pole
	1	STM6943	Tussenkabel A, 6mtr grijs 6polig	Intermediate cable A, 6mtr grey 6 pole
	1	STM6944	Tussenkabel A, 12mtr grijs 6polig	Intermediate cable A, 12mtr grey 6 pole
15	1	STM6945	Tussenkabel B, 2mtr zwart 6polig	Intermediate cable B, 2mtr black 6 pole
	1	STM6946	Tussenkabel B, 4mtr zwart 6polig	Intermediate cable B, 4mtr black 6 pole
	1	STM6947	Tussenkabel B, 6mtr zwart 6polig	Intermediate cable B, 6mtr black 6 pole
	1	STM6948	Tussenkabel B, 12mtr zwart 6polig	Intermediate cable B, 12mtr black 6 pole
16	1	STM3714	+ Accukabel	+ Battery cable
17	1	STM3715	- Accukabel	- Battery cable
18	1	STM3713	Tussenkabel	Intermediate loom
19	1	STM3712	Hoofdschakelaar	Main switch
20	1	STM3762	Steutel	Key

groep/ group	blz./ page	type	omschrijving/description	datum/date
4	9	M2.C5 M2.D5 M2.06	Bedradingskast Terminal box	11 01 05



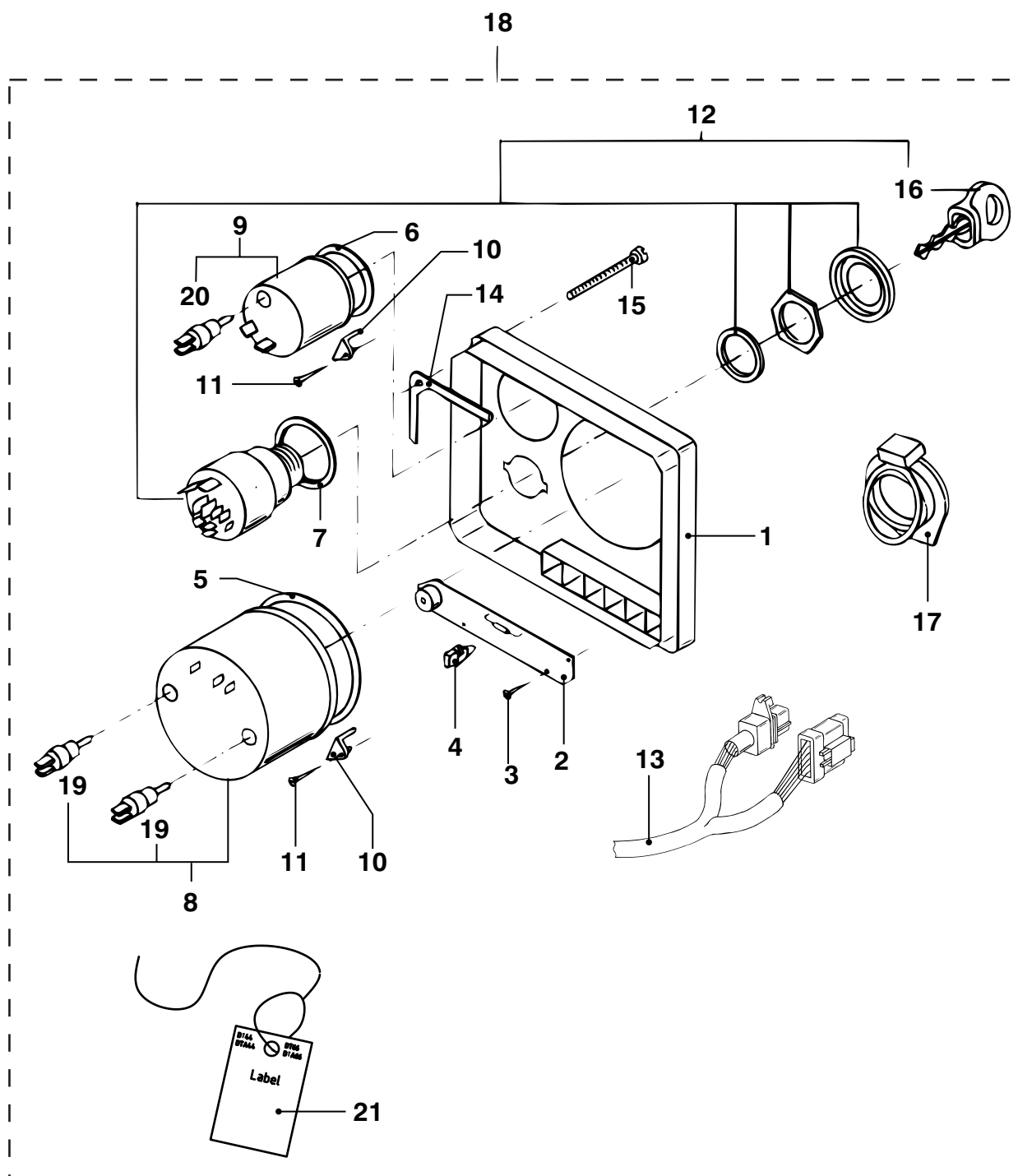
# onderdelencatalogus parts catalogue



groep/ group	blz./ page	type	omschrijving/description	datum/date
4	10	M2.C5 M2.D5 M2.06	Instrumenten paneel model '22' Instrument panel model '22'	11 01 05

pos.	qty	part	benaming	description
1	1	STM9186	Paneel incl. frontfolie	Panel incl. overlay
2	1	STM6912	Print MP20, 21, 22 cpl. 12 V	PCB MP20, 21, 22 cpl. 12 V
3	4	P2295RKP	Plaatschroef	Screw
4	6	STM9169	Gloeilamp 12 V	Bulb 12 V
5	1	STM9170	Pakking	Gasket
6	1	STM9171	Pakking	Gasket
7	1	STM9172	Pakking	Gasket
8	1	STM9176	Toeren/urenteller, zwart, 0-4000 rpm	Tachometer/hour counter, black, 0-4000 rpm
	1	STM9047	Toeren/urenteller, zwart, 0-5000 rpm	Tachometer/hour counter, black, 0-5000 rpm
9	1	STM9177	Voltmeter, zwart, 12 V	Voltmeter, black, 12 V
10	6	PA6488	Beugel	Bracket
11	6	P35134RKP	Plaatschroef	Screw
12	1	STM9215	Contactsloot + sleutel	Key switch + key
13	1	STM6918	Paneelbedrading	Wiring
14	1	STM9180	Pakking	Gasket
15	4	P35254ZKP	Plaatschroef	Screw
16	1	STM9214	Sleutel	Key
17	1	STM9188	Contactsloot deksel	Key switch cover
18	1	MP22BS12	Instr.paneel cpl. zwarte instr. 0-4000 rpm 12 V	Instr.panel cpl. black instr. 0-4000 rpm 12 V
	1	MP22BS125	Instr.paneel cpl. zwarte instr. 0-5000 rpm 12 V	Instr.panel cpl. black instr. 0-5000 rpm 12 V
19	2	CT40131	Gloeilamp 12 V	Bulb 12 V
20	1	CT40133	Gloeilamp 12 V	Bulb 12 V
21	1	STM9731	Label 'Afregele toerenteller'	Label 'Adjusting tachometer'

groep/ group	blz./ page	type		omschrijving/description	datum/date
4	10	M2.C5	M2.D5	Instrumenten paneel model '22'	11 01 05
			M2.06	Instrument panel model '22'	



# onderdelencatalogus parts catalogue

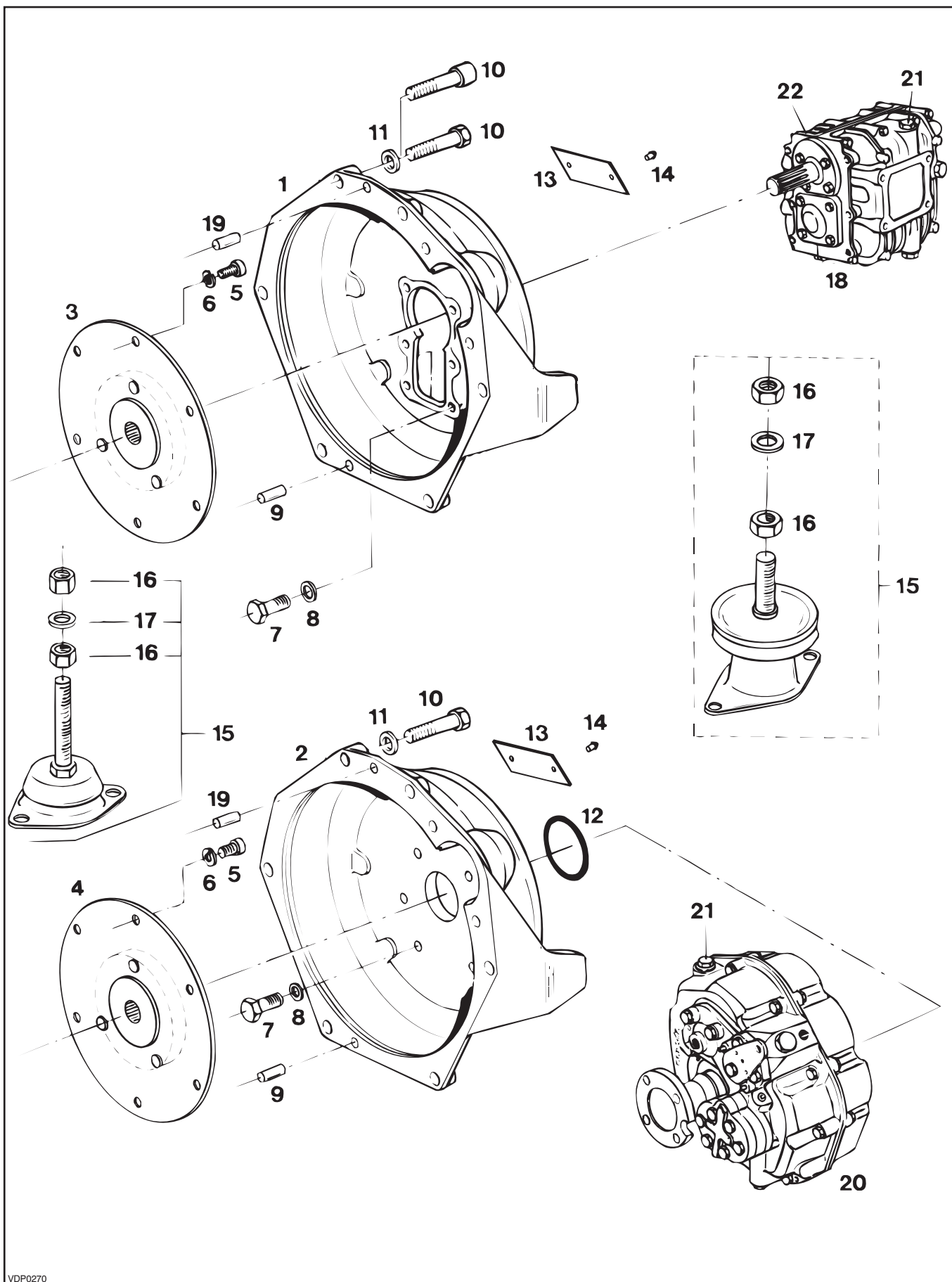


groep/ group	blz./ page	type	omschrijving/description	datum/date
5	1	<input type="checkbox"/> M2.C5 <input type="checkbox"/> M2.D5 <input type="checkbox"/> M2.04 <input type="checkbox"/> M2.06	Vlieg wielhuis Hurth / PRM / Borg W Flywheel housing Hurth / PRM / Borg W	13 03 03

pos.	qty	part	benaming	description
1	1	STM6103	Vlieg wielhuis HBW-BW	Flywheel housing HBW/BW
2	1	STM6105	Vlieg wielhuis PRM	Flywheel housing PRM
3	1	STM6106	Demperplaat DIN5464 Z=10 Volvo 110S-120S-120SB	Damperplate DIN5464 Z=10 Volvo 110S-120S-120SB
4	1	STM6107	Demperplaat SAE Z=17	Damperplate SAE Z=17
5	6	STM6111	Inbusbout M8x16	Allen screw M8x16
6	6	STM1056	Ring	Washer
7	6	STM1610	Bout M8x25	Allen screw M8x25
8	6	STM1019	Ring	Washer
9	1	STM2507	Paspen 8x10 DIN6325	Pin 8x10 DIN6325
10	6	STM6104	Bout M12x1,25x70 (<- 03-03)	Bolt M12x1,25x70 (<- 03-03)
	6	STM6345	Inbusbout M12x1,25x70 (-> 03-03)	Allen screw M12x1,25x70 (-> 03-03)
11	6	STM4056	Ring	Washer
12	1	STM6201	O-ring 65x1,5	O-ring 65x1.5
13	1	STM1054	Type plaatje	Model plate
14	2	STM3528	Kerfnagel 3x5 DIN1476	Grooved pin 3x5 DIN1476
15	2	MITSTEUN	Hydrodemper M2.06	Hydro Mount M2.06
	2	STM1073	Demper M2.C5/M2.D5/M2.04	Engine mount M2.C5/M2.D5/M2.04
16	4	STM4010	Moer M16x1,5	Nut M16x1.5
17	2	STM4011	Ring	Washer
18	1	STM5352	HBW 35 2R	HBW 35 2R
	1	STM5353	HBW 35 3R	HBW 35 3R
	1	STM5442	HBW 40 2R	HBW 40 2R
	1	STM5443	HBW 40 2,7R	HBW 40 2.7R
	1	STM5103	HBW 100 3R	HBW 100 3R
	1	STM5162	HBW 150 V2	HBW 150 V2
	1	STM5163	HBW 150 V3	HBW 150 V3
	1	STM5402	TMC40 2:1	TMC40 2:1
	1	STM5403	TMC40 2,6:1	TMC40 2.6:1
19	1	STM6279	Paspen 8x18 DIN6325	Pin 8x18 DIN6325
20	1	STM3760	PRM DELTA 20	PRM DELTA 20
	1	STM3758	PRM DELTA 30	PRM DELTA 30
21	1	STM3773	Peilstok PRM Delta 20-30	Dipstick PRM Delta 20-30
	1	STM5176	Peilstok HBW 35-100	Dipstick HBW 35-100
	1	STM5177	Peilstok HBW 150-125	Dipstick HBW 150-125
22	1	STM5171	Pakkingset HBW100	Gasketset HBW100



groep/ group	blz./ page	type		omschrijving/description	datum/date
		M2.C5	M2.D5		
5	1	M2.04	M2.06	Vliegwielhuis Hurth / PRM / Borg W	13 03 03
				Flywheel housing Hurth / PRM / Borg W	



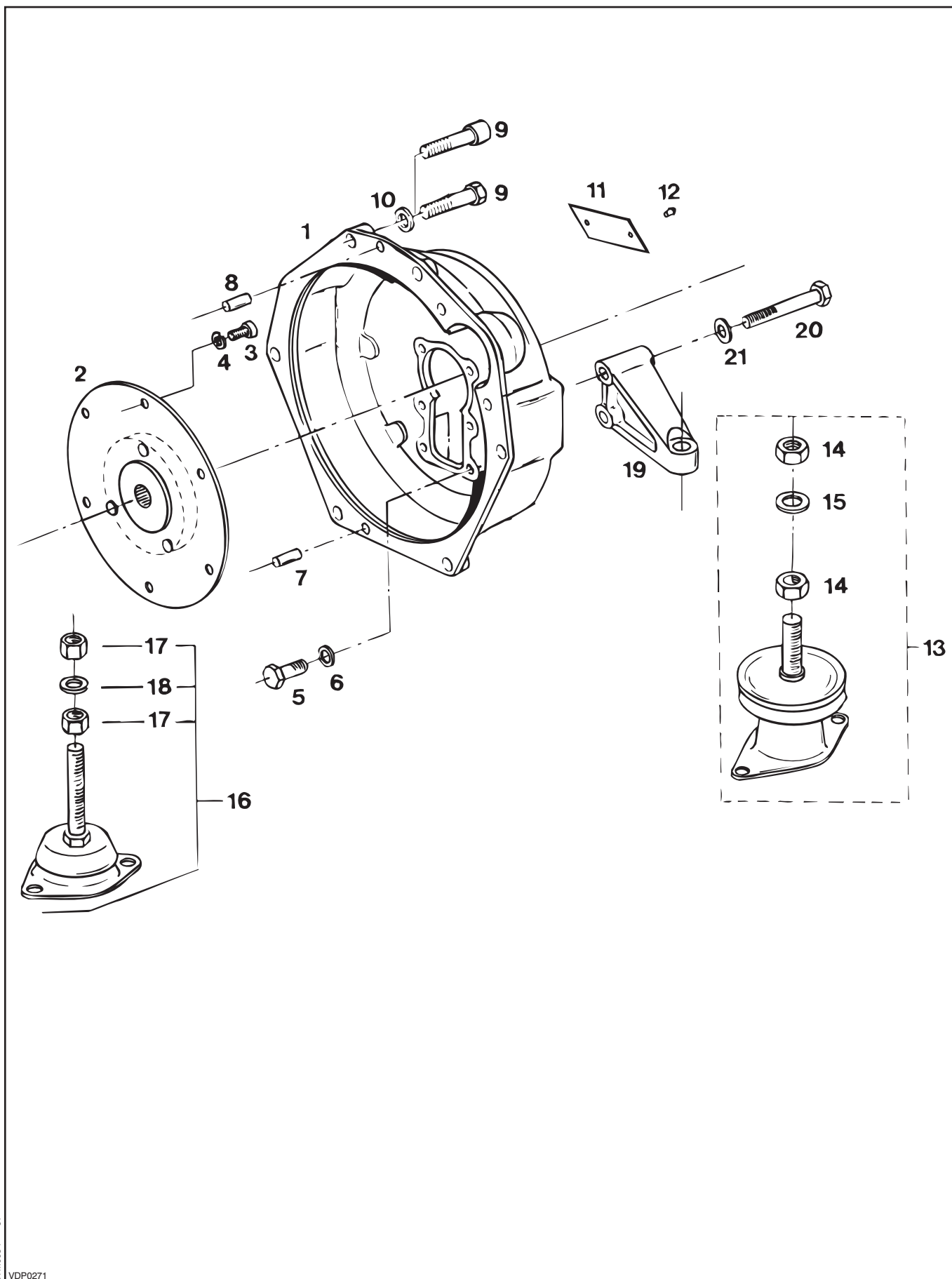
# onderdelencatalogus parts catalogue



groep/ group	blz./ page	type	omschrijving/description	datum/date
5	2	M2.C5 M2.D5 M2.04 M2.06	Vliegwielhuis Hurth / PRM Flywheel housing Hurth / PRM	11 01 05

pos.	qty	part	benaming	description
1	1	STM6293	Vliegwielhuis ø88	Flywheel housing ø88
	1	STM6294	Vliegwielhuis SAE7 ø209.55	Flywheel housing SAE7 ø209.55
2	1	STM6106	Demperplaat DIN5464 Z=10 Volvo 110S-120S-120SB	Damperplate DIN5464 Z=10 Volvo 110S-120S-120SB
	1	STM6107	Demperplaat SAE Z=17	Damperplate SAE Z=17
3	6	STM6111	Inbusbout M8x16	Allen screw M8x16
4	6	STM1056	Veerring M8	Spring washer M8
5	6	STM1610	Bout M8x25	Allen screw M8x25
6	6	STM1019	Wave spring washer M8	Wave spring washer M8
7	1	STM2507	Paspen 8x10 DIN6325	Pin 8x10 DIN6325
8	1	STM6279	Paspen 8x18 DIN6325	Pin 8x18 DIN6325
9	6	STM6104	Bout M12x1,25x70 (<- 03-03)	Bolt M12x1,25x70 (<- 03-03)
	6	STM6345	Inbusbout M12x1,25x70 (-> 03-03)	Allen screw M12x1,25x70 (-> 03-03)
10	6	STM4056	Gegolfde veerring M12	Wave spring washer M12
11	1	STM1054	Type plaatje	Model plate
12	2	STM3528	Kerfnagel 3x5 DIN1476	Grooved pin 3x5 DIN1476
13	2	MITSTEUN	Hydrodemper	Hydro Mount
14	4	STM4010	Moer M16x1,5	Nut M16x1.5
15	2	STM4011	Ring M16	Washer M16
16	2	STM1073	Demper M2.C5/M2.D5/M2.04	Engine mount M2.C5/M2.D5/M2.04
17	4	STM4010	Moer M16x1,5	Nut M16x1.5
18	2	STM4011	Ring M16	Washer M16
19	2	STM7584	Motorsteun SB-BB	Enging support SB-PS
20	4	STM7595	Bout M12x1,75x65	Bolt M12x1.75x65
21	4	STM4056	Gegolfde veerring M12	Wave spring washer M12

groep/ group	blz./ page	type		omschrijving/description	datum/date
		5	2		
		M2.04	M2.06	Flywheel housing Hurth / PRM	



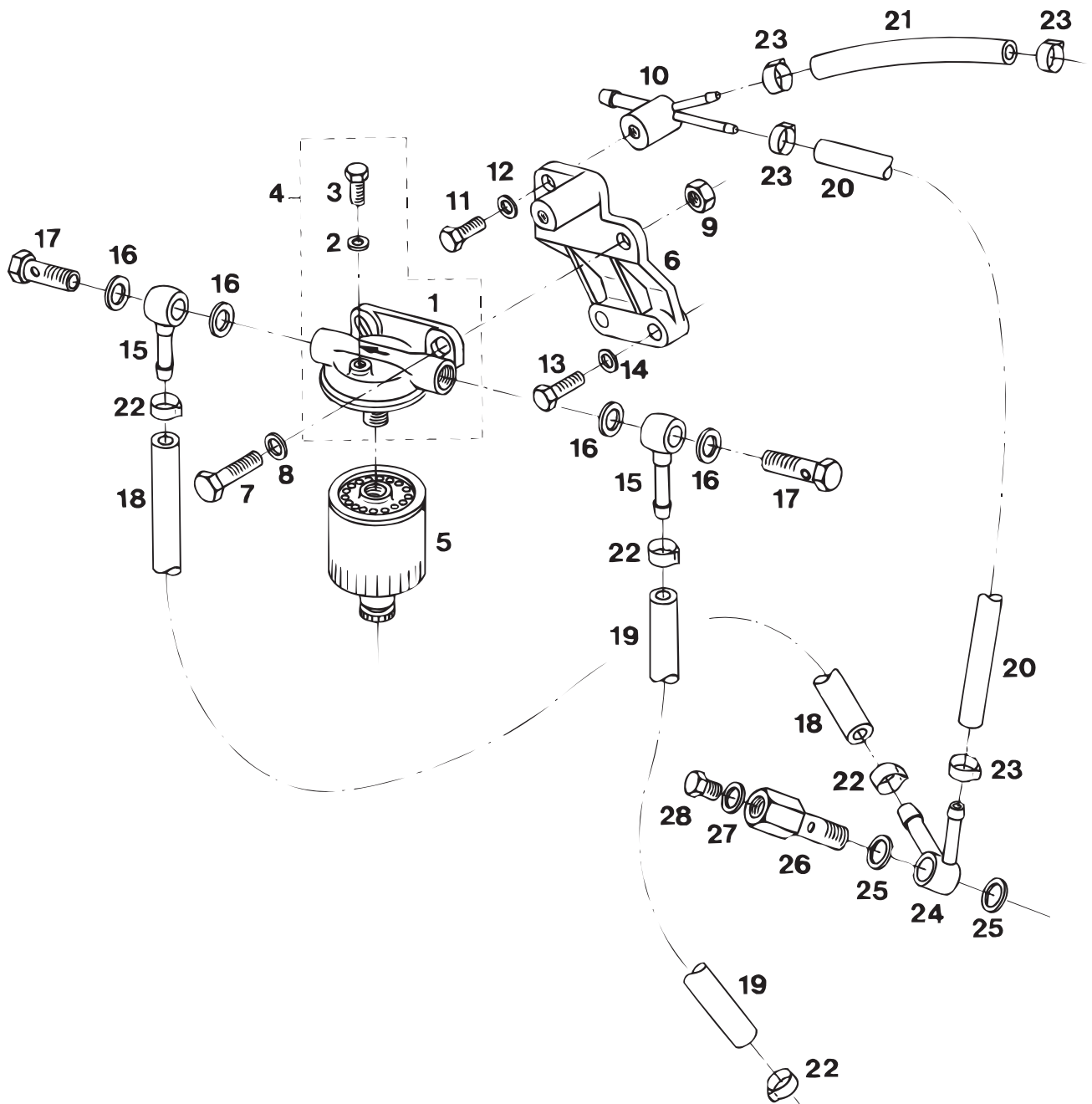
# onderdelencatalogus parts catalogue



groep/ group	blz./ page	type	omschrijving/description	datum/date
6	1	<input type="checkbox"/> M2.C5 <input type="checkbox"/> M2.D5 <input type="checkbox"/> M2.04 <input type="checkbox"/> M2.06	Brandstoffilter Fuel filter	05 10 99

pos.	qty	part	benaming	description
1	1	STM6050	Filterkop	Filter head
2	1	STM3797	Ring	Washer
3	1	STM3696	Bout M8x10	Bolt M8x10
4	1	STM6049	Filterkop compl. 1+2+3	Filter head complete 1+2+3
5	1	STM3690	Brandstoffilter	Fuelfilter
6	1	STM6115	Steun	Support
7	2	STM4013	Bout M10x30	Bolt M10x30
8	2	STM4061	Ring	Washer
9	2	STM4018	Moer M10	Bolt M10
10	1	STM6180	Nippel	Nipple
11	1	STM1030	Bout M6x20	Bolt M6x20
12	1	STM1025	Ring	Washer
13	2	STM7059	Bout M8x30	Bolt M8x30
14	2	STM1019	Ring	Washer
15	2	STM9262	Banjo oog	Banjo eye
16	4	STM7056	Ring	Washer
17	2	STM8057	Banjo bout M12x1	Banjo bolt M12x1
18	1	STM6189	Brandstofslang ø8 L=0,28 mtr	Fuel hose ø8 L=0.28 mtr
19	1	STM6190	Brandstofslang ø8 L=0,19 mtr	Fuel hose ø8 L=0.19 mtr
20	1	STM6191	Brandstofslang ø5 L=0,21 mtr	Fuel hose ø5 L=0.21 mtr
21	1	STM6192	Brandstofslang ø5 L=0,07 mtr	Fuel hose ø5 L=0.07 mtr
22	4	STM6185	Klem	Clamp
23	4	STM6186	Klem	Clamp
24	1	STM6256	Banjo oog ø8	Banjo eye ø8
25	2	STM6255	Ring	Washer
26	1	STM6257	Banjo bout	Banjo bolt
27	1	STM6258	Ring	Washer
28	1	STM6259	Bout	Bolt

groep/ group	blz./ page	type		omschrijving/description	datum/date
		6	1		



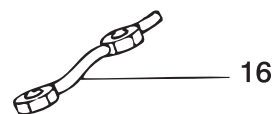
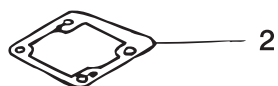
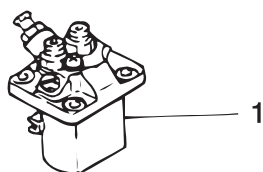
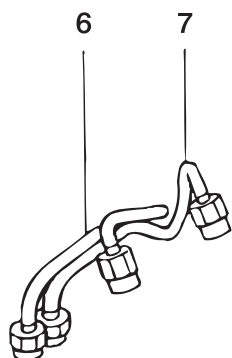
# onderdelencatalogus parts catalogue



groep/ group	blz./ page	type	omschrijving/description	datum/date
6	2	<input type="checkbox"/> M2.C5 <input type="checkbox"/> M2.D5 <input type="checkbox"/> M2.04 <input type="checkbox"/> M2.06	Brandstofsysteem Fuel system	05 10 99

pos.	qty	part	benaming	description
1	1	STM1426	Pomp	Pump assy
			M2.06	M2.06
	1	STM1427	Pomp	Pump assy
			M2.04	M2.04
	1	STM1098	Pomp	Pump assy
			M2.C5/M2.D5	M2.C5/M2.D5
2	1	STM1288	Shim 0,2	Shim 0.2
	1	STM1289	Shim 0,3	Shim 0.3
	1	STM1290	Shim 0,4	Shim 0.4
	1	STM1291	Shim 0,5	Shim 0.5
	1	STM1292	Shim 0,6	Shim 0.6
	1	STM1293	Shim 0,7	Shim 0.7
	1	STM1294	Shim 0,8	Shim 0.8
	1	STM1295	Shim 0,9	Shim 0.9
	1	STM1296	Shim 1,0	Shim 1.0
3	4	STM1297	Bout	Bolt
4	2	STM1298	Verstuiver & houder	Nozzle & holder
5	2	STM1299	Pakking	Gasket
6	1	STM1300	Brandstofleiding	Fuel pipe
7	1	STM1301	Brandstofleiding	Fuel pipe
14	2	STM1302	Moer	Nut
15	2	STM1303	Pakking	Gasket
16	1	STM1304	Retourleiding	Return pipe

groep/ group	blz./ page	type	omschrijving/description	datum/date
6	2	M2.C5	Brandstofsysteem Fuel system	05 10 99
		M2.D5		
		M2.04		
		M2.06		



# onderdelencatalogus parts catalogue

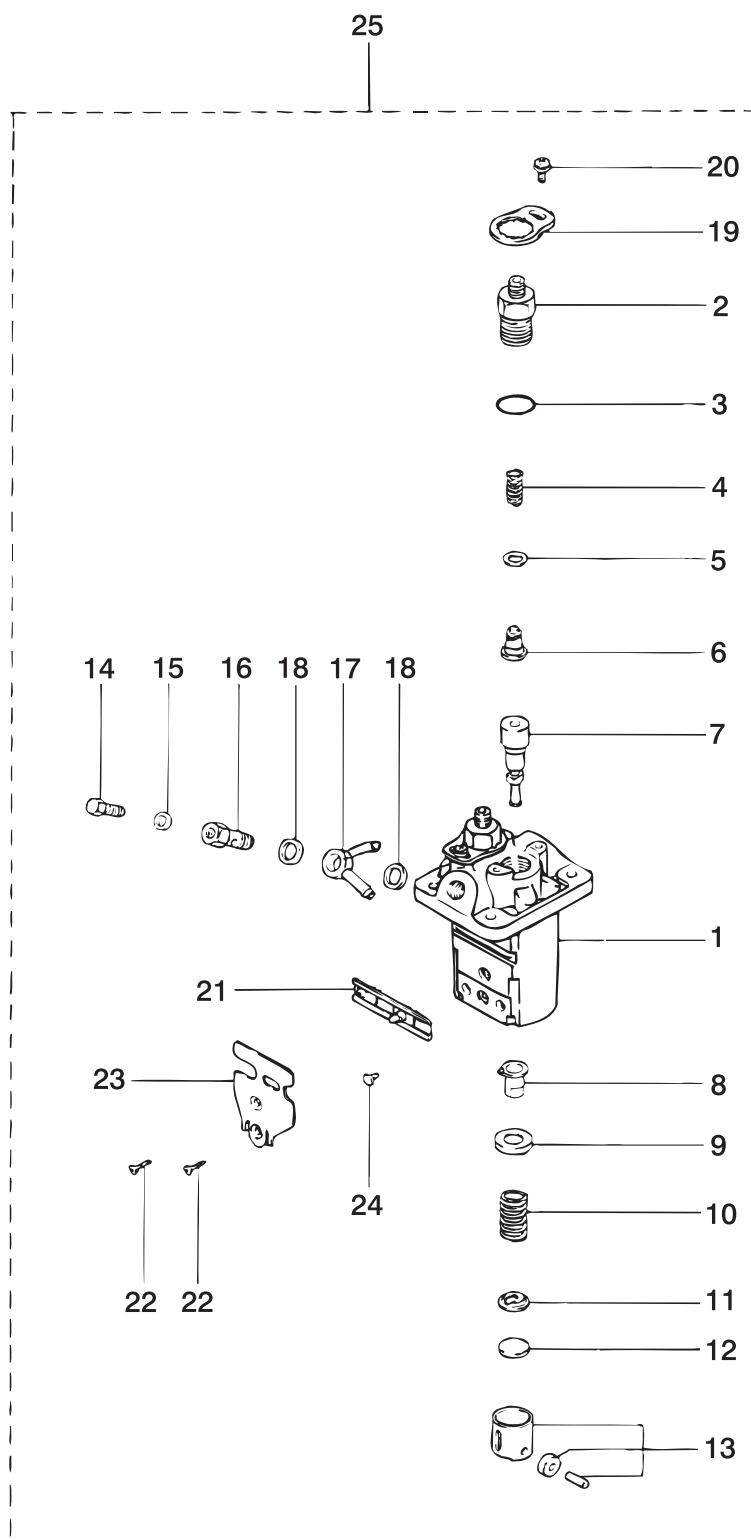


groep/ group	blz./ page	type	omschrijving/description	datum/date
6	3	<input type="checkbox"/> M2.C5 <input type="checkbox"/> M2.D5 <input type="checkbox"/> M2.04 <input type="checkbox"/> M2.06	Brandstofpomp Fuel pump	05 10 99

pos.	qty	part	benaming	description	
1	1	STM1305	Huis	House sub assy	
2	2	STM1306	Houder	Holder	
3	2	STM1307	O-ring	O-ring	
4	2	STM1308	Veer	Spring	
5	2	STM1309	Afdichting	Gasket	
6	2	STM1310	Klep onder	Valve sub assy	
7	2	STM1428	Element onder	M2.06	Element sub assy M2.06
	2	STM1429	Element onder	M2.04	Element sub assy M2.04
	2	STM1099	Element onder	M2.C5/M2.D5	Element sub assy M2.C5/M2.D5
8	2	STM1312	Bus	Sleeve	
9	2	STM1313	Zitting	Seat	
10	2	STM1314	Veer	Spring	
11	2	STM1315	Veer	Spring	
12	1	STM1316	Shim 1,85	Shim 1.85	
	1	STM1317	Shim 1,9	Shim 1.9	
	1	STM1318	Shim 1,95	Shim 1.95	
	1	STM1319	Shim 2,0	Shim 2.0	
	1	STM1320	Shim 2,05	Shim 2.05	
	1	STM1321	Shim 2,1	Shim 2.1	
	1	STM1322	Shim 2,15	Shim 2.15	
	1	STM1323	Shim 2,2	Shim 2.2	
	1	STM1324	Shim 2,25	Shim 2.25	
	1	STM1325	Shim 2,3	Shim 2.3	
	1	STM1326	Shim 2,35	Shim 2.35	
	1	STM1327	Shim 2,4	Shim 2.4	
	1	STM1328	Shim 2,45	Shim 2.45	
	1	STM1329	Shim 2,5	Shim 2.5	
13	2	STM1330	Klepstoter	Tappet assy	
14	1	STM6259	Bout	Screw	
15	1	STM6258	Ring	Washer	
16	1	STM6257	Banjo bout	Banjo bolt	
17	1	STM6256	Banjo oog ø8	Banjo eye ø8	
18	2	STM6255	Ring	Washer	
19	2	STM1331	Borg plaat	Lock plate	
20	2	STM1332	Schroef	Screw	
21	1	STM1333	Heugel	Rack assy	
22	2	STM1334	Schroef	Screw	
23	1	STM1335	Beugel	Bracket	
24	2	STM1336	Pen	Pin	
25	1	STM1426	Pomp 1 t/m 24	M2.06	Pump assy 1 til 24 M2.06
	1	STM1427	Pomp 1 t/m 24	M2.04	Pump assy 1 til 24 M2.04
	1	STM1098	Pomp 1 t/m 24	M2.C5/M2.D5	Pump assy 1 til 24 M2.C5/M2.D5



groep/ group	blz./ page	type	omschrijving/description	datum/date
6	3	M2.C5	Brandstofpomp Fuel pump	05 10 99
		M2.D5		
		M2.04		
		M2.06		



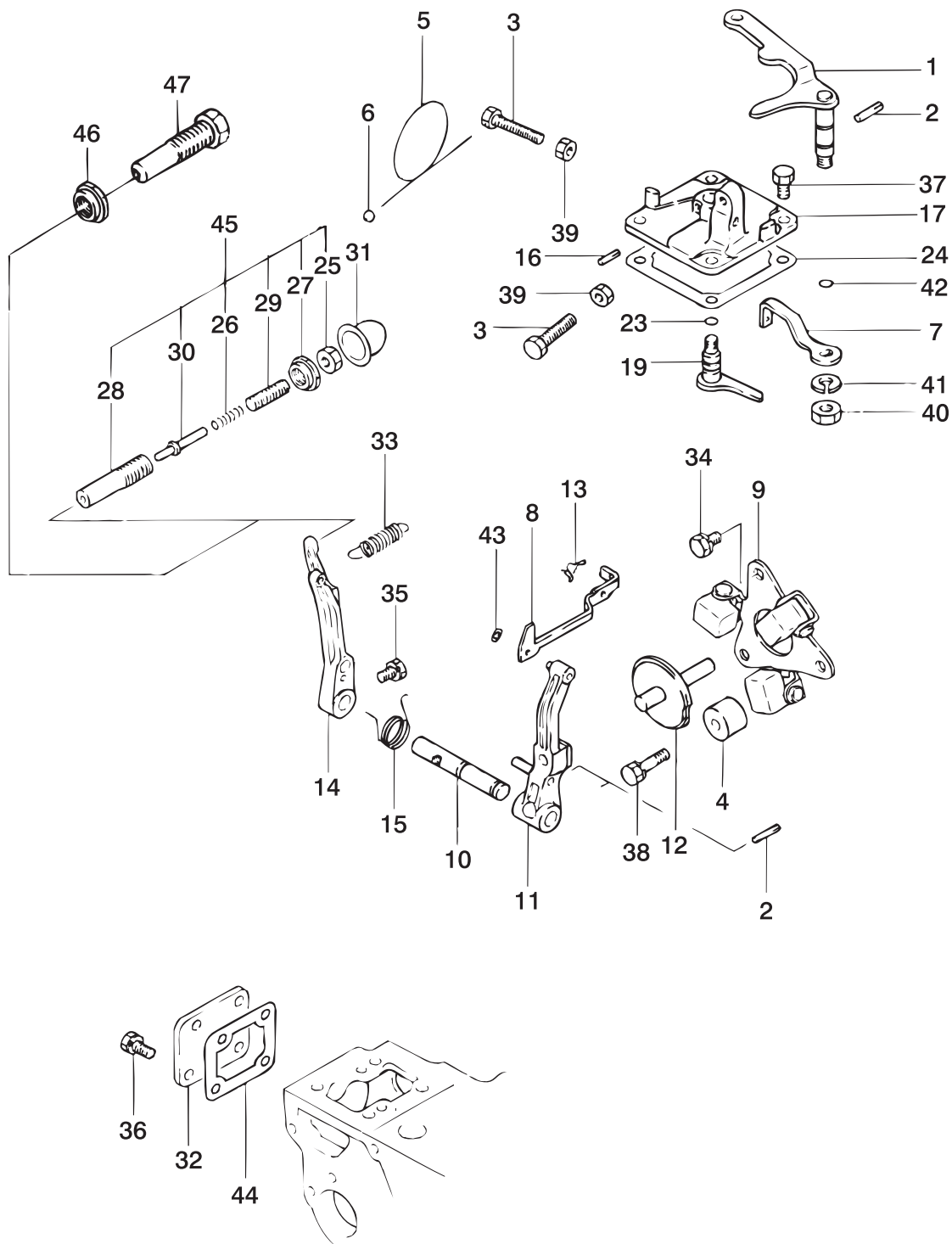
# onderdelencatalogus parts catalogue



groep/ group	blz./ page	type		omschrijving/description	datum/date
		M2.C5	M2.D5		
6	4	M2.04	M2.06	Regulateur Regulator	06 01 00

pos.	qty	part	benaming	description	
1	1	STM1337	Hefboom	Lever assy	
2	3	STM1338	Pen	Pin	
3	2	STM2720	Bout	Bolt	
4	1	STM1339	Stop	Stopper	
5	1	STM2719	Draad	Wire	
6	1	STM1340	Zegellood	Metal sealing	
7	1	STM1341	Hefboom	Lever	
8	1	STM1342	Stang	Stang	
9	1	STM1343	Verzwareing	Weight assy	
10	1	STM1344	As	Shaft	
11	1	STM1345	Hefboom	Lever	
12	1	STM1346	As	Shaft assy	
13	1	STM1347	Clip	Clip	
14	1	STM1348	Hefboom	Lever	
15	1	STM1349	Veer	Spring	
16	1	STM1351	Pen	Pin	
17	1	STM1352	Deksel	Cover	
18	1	STM1353	Veer	Spring	
24	1	STM1354	Pakking	Gasket	
25	1	STM1356	Moer	Nut	
26	1	STM1357	Veer	Spring	
27	1	STM1358	Moer	Nut	
28	1	STM1359	Huis	Case	
29	1	STM1360	Schroef	Screw	
30	1	STM1361	Stop	Stopper	
31	1	STM1362	Kap	Cap	
32	1	STM1363	Deksel	Cover	
33	1	STM1364	Blauwe veer	M2.04/M2.06	Spring blue
	1	STM1441	Roze veer	M2.D5/M2.C5	Spring pink
					M2.04/M2.06
					M2.D5/M2.C5
34	2	STM2737	Bout	Bolt	
35	1	STM1365	Bout	Bolt	
36	4	STM1366	Bout	Bolt	
37	4	STM1367	Bout	Bolt	
38	1	STM1368	Bout	Bolt	
39	2	STM1369	Moer	Nut	
40	1	STM1370	Moer	Nut	
41	1	STM1371	Ring	Washer	
42	1	STM1372	O-ring	O-ring	
43	1	STM1373	Borgring	Ring snap	
44	1	STM1374	Pakking	Gasket	
45	1	STM1355	Verenset 25 t/m 30	Spring set 25 til 30	
46	1	STM1439	Borgmoer	06-97->	Lock nut
47	1	STM1440	Stelbout	06-97->	Set bolt
					06-97->

groep/ group	blz./ page	type		omschrijving/description	datum/date
		6	4		



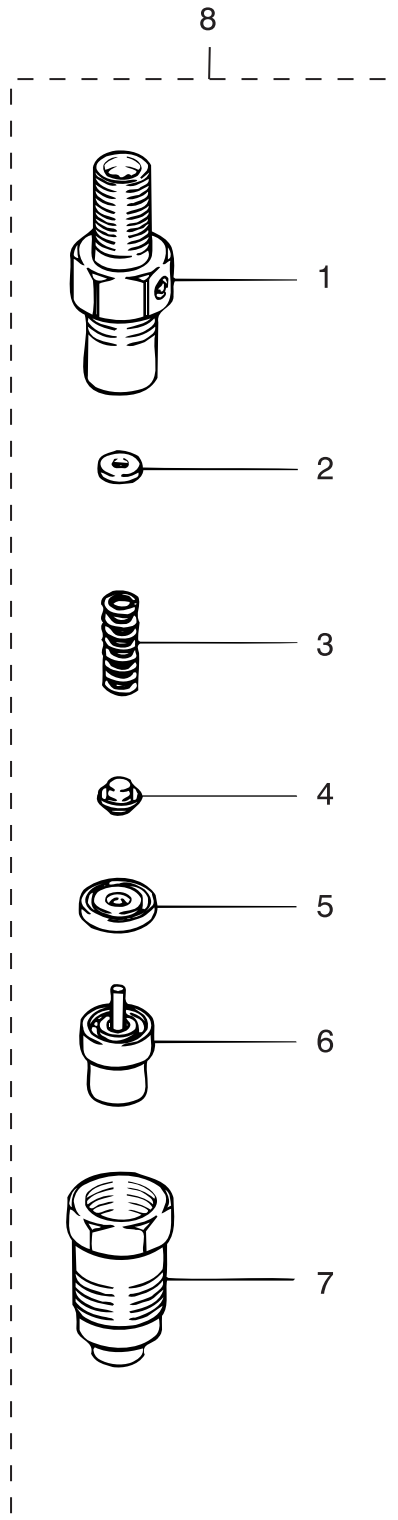
# onderdelencatalogus parts catalogue



groep/ group	blz./ page	type	omschrijving/description	datum/date
6	5	<input type="checkbox"/> M2.C5 <input type="checkbox"/> M2.D5 <input type="checkbox"/> M2.04 <input type="checkbox"/> M2.06	Verstuiverhouder Nozzle holder	05 10 99

pos.	qty	part	benaming	description
1	2	STM1377	Verstuiverhouder	Body sub assy
2	1	STM1378	Shim 1,25	Shim 1.25
	1	STM1379	Shim 1,3	Shim 1.3
	1	STM1380	Shim 1,35	Shim 1.35
	1	STM1381	Shim 1,4	Shim 1.4
	1	STM1382	Shim 1,45	Shim 1.45
	1	STM1383	Shim 1,5	Shim 1.5
	1	STM1384	Shim 1,55	Shim 1.55
	1	STM1385	Shim 1,6	Shim 1.6
	1	STM1386	Shim 1,65	Shim 1.65
3	2	STM1388	Veer	Spring
4	2	STM1389	Pen	Pin
5	2	STM1390	Afstandstuk	Distance piece
6	2	STM1391	Verstuiver	Nozzle assy
7	2	STM1392	Moer	Nut
8	2	STM1298	Verstuiver cpl. 1 t/m 7	Nozzle cpl. 1 till 7

groep/ group	blz./ page	type	omschrijving/description	datum/date
6	5	<input type="checkbox"/> M2.C5 <input type="checkbox"/> M2.D5 <input type="checkbox"/> M2.04 <input type="checkbox"/> M2.06	Verstuiverhouder Nozzle holder	05 10 99



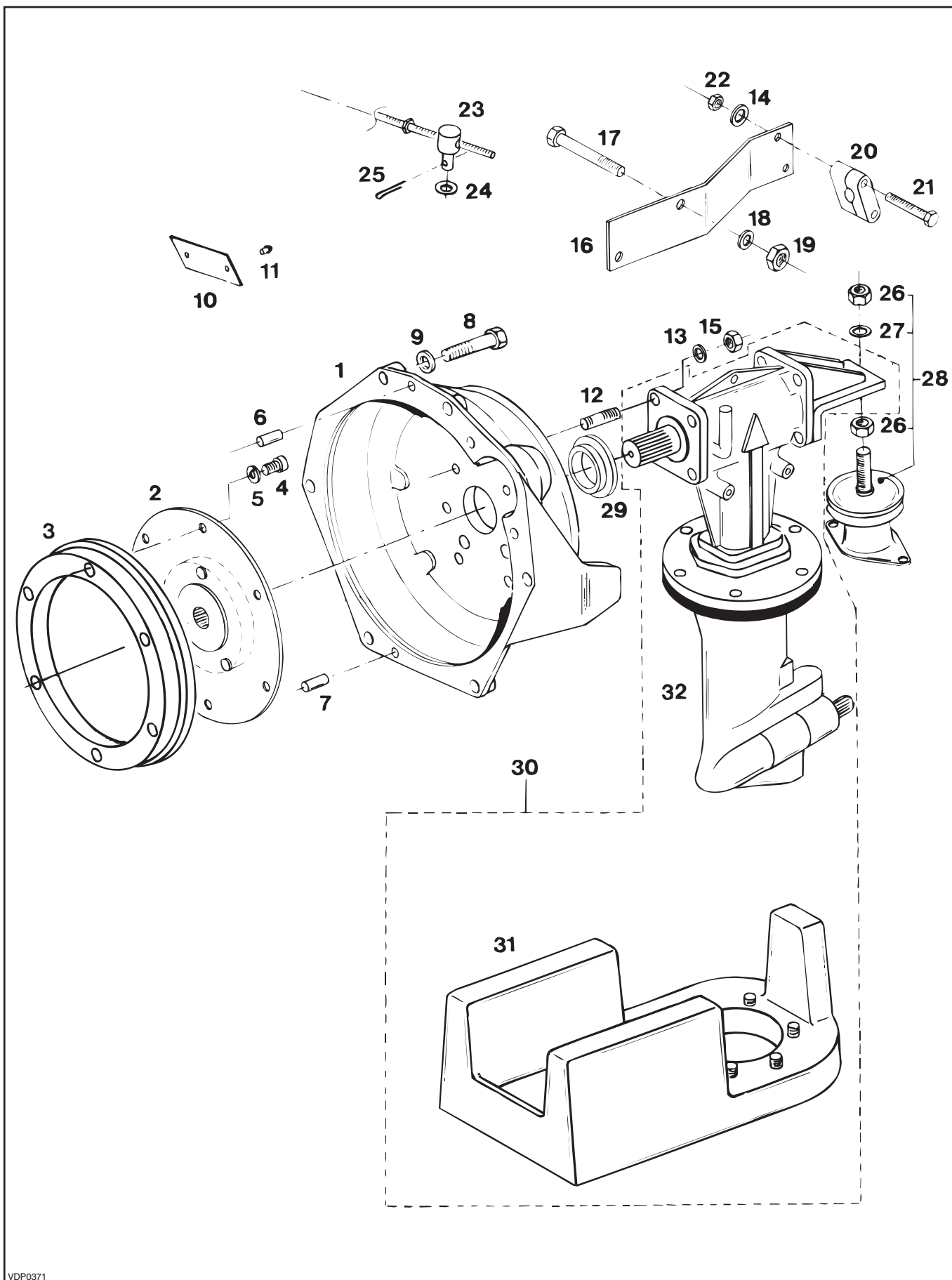
# onderdelencatalogus parts catalogue



groep/ group	blz./ page	type	omschrijving/description	datum/date
10	1	M2.04 M2.06	Saildrive Lombardini Saildrive Lombardini	05 10 99

pos.	qty	part	benaming	description
1	1	STM6105	Vliegwielhuis PRM Saildrive	Flywheel housing PRM Saildrive
2	1	STM6106	Demperplaat DIN5464 Z=10	Damper plate DIN5464 Z=10
3	1	STM6219	Ring	Washer
4	6	STM1651	Bout M8x35	Bolt M8x35
5	6	STM1056	Ring	Washer
6	1	STM6279	Paspen 8x18 DIN6325	Pin 8x18 DIN6325
7	1	STM2507	Paspen 8x10 DIN6325	Pin 8x10 DIN6325
8	6	STM6104	Bout M12x1,75x70	Bolt M12x1,75x 70
9	6	STM4056	Ring	Washer
10	1	STM1054	Typeplaatje	Type Plate
11	2	STM3528	Kerfnagel 3x5 DIN1476	Nail 3x5 DIN1476
12	4	STM6216	Tapeind M10x30	Stud M10x13
13	4	STM2022	Ring	Washer
14	2	STM1707	Ring	Washer
15	4	STM4018	Moer M10	Nut M10
16	1	STM6904	Steun	Support
17	2	STM6909	Bout M10x120	Bolt M10x120
18	2	STM4014	Ring	Washer
19	2	STM4018	Moer M10	Nut M10
20	1	STM1703	Kabelklem	Cable clamp
21	2	STM1704	Bout M5x25	Bolt M5x25
22	2	STM1705	Moer M5	Moer M5
23	1	STM1806	Nippel	Nipple
24	1	STM1807	Ring	Washer
25	1	STM1808	Splitpen 2x25	Split pin 2x25
26	2	STM4010	Moer M16x1,5	Nut M16x1,5
27	1	STM4011	Ring	Washer
28	1	MITSTEUN	Hydrodemper	Hydro Mount
29	1	STM6226	Centreer ring	Centring ring
30	1	STM5900	Staatstuk + fundatie	Tail piece + engine bed
31	1	STM6905	Fundatie	Engine bed
32	1	STM6906	Staatstuk	Tail piece
33	1	STM6909	Zinkanode Selva	Zinc anode Selva
34	1	STM6910	Moer RVS M16 Selva	Nut SS M16 Selva
35	1	STM1387	Shim 1,7	Shim 1.7

groep/ group	blz./ page	type	omschrijving/description	datum/date
10	1	M2.04 M2.06	Saildrive Lombardini Saildrive Lombardini	05 10 99



# onderdelencatalogus parts catalogue

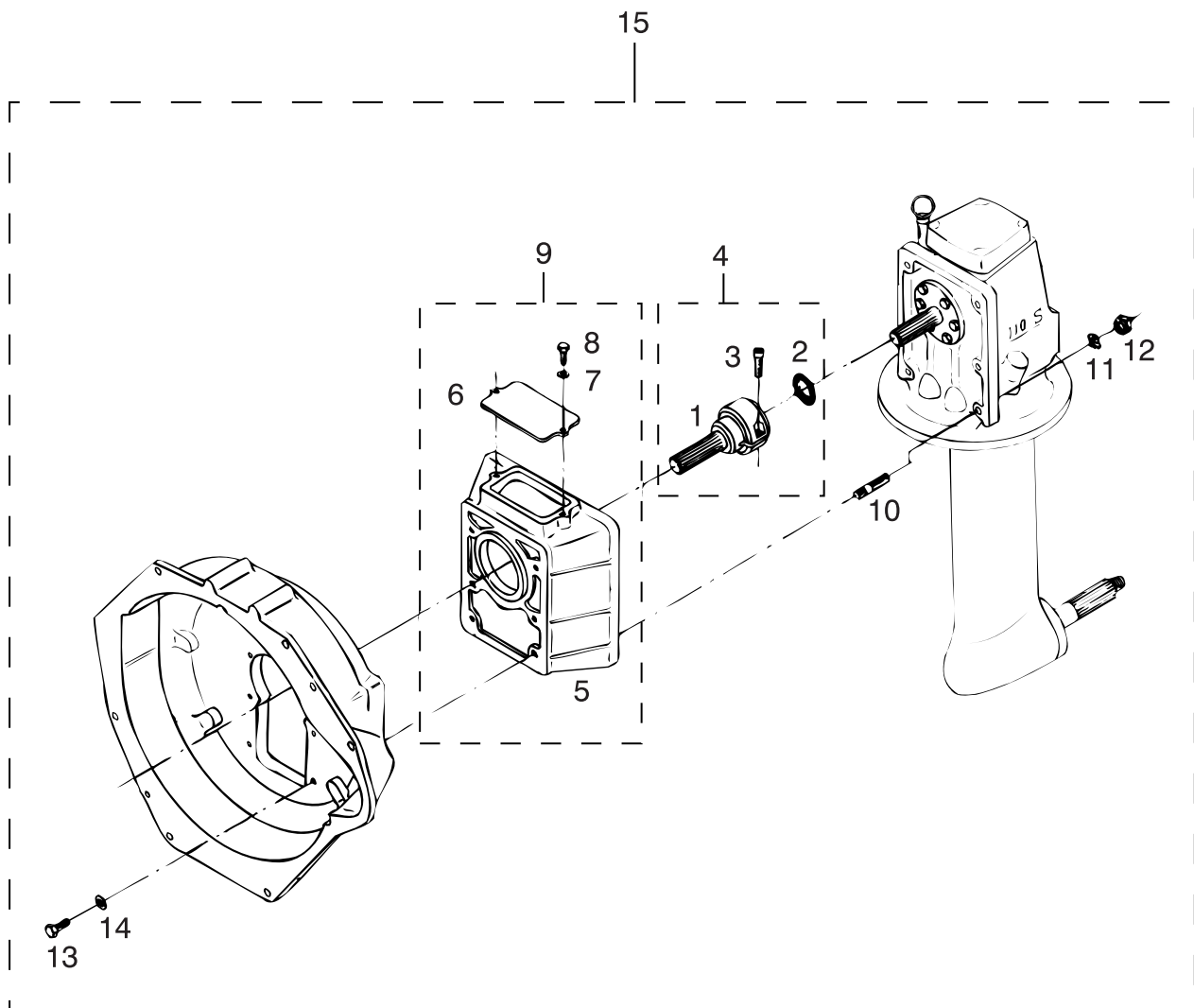


groep/ group	blz./ page	type	omschrijving/description	datum/date
10	2	<input type="checkbox"/> M2.C5 <input type="checkbox"/> M2.D5 <input type="checkbox"/> M2.04 <input type="checkbox"/> M2.06	Verloopset saildrive 110S Adaptor kit saildrive 110S	05 10 99

pos.	qty	part	benaming	description
1	1	STM7605	Koppeling	Coupling
2	1	STM7607	Ring	Washer
3	2	STM8332	Inbusbout M8x30	Allen screw M8x30
4	1	STM7611	Koppeling compleet (1+2+3)	Coupling cpl.(1+2+3)
5	1	STM7601	Adapterhuis	Adaptor case
6	1	STM7603	Deksel	Cover
7	2	STM1025	Gegolfde veerring M6	Wave spring washer M6
8	2	STM1024	Bout M6x15	Bolt M6x15
9	1	STM7612	Adapterhuis cpl. (5+6+7+8)	Adaptor case cpl. (5+6+7+8)
10	6	STM7615	Tapeind M10x45	Stud M10x45
11	6	STM2022	Gegolfde veerring M10	Wave spring washer M10
12	6	STM4018	Moer M10	Nut M10
13	6	STM1651	Bout M8x35	Bolt M8x35
14	6	STM1019	Gegolfde veerring M8	Wave spring washer M8
15	1	STM7614	Aanbouwset cpl.	Adaptor kit cpl.



groep/ group	blz./ page	type	omschrijving/description	datum/date				
10	2	<table border="1"> <tr> <td>M2.C5</td> <td>M2.D5</td> </tr> <tr> <td>M2.04</td> <td>M2.06</td> </tr> </table>	M2.C5	M2.D5	M2.04	M2.06	Verloopset saildrive 110S Adaptor kit saildrive 110S	05 10 99
M2.C5	M2.D5							
M2.04	M2.06							



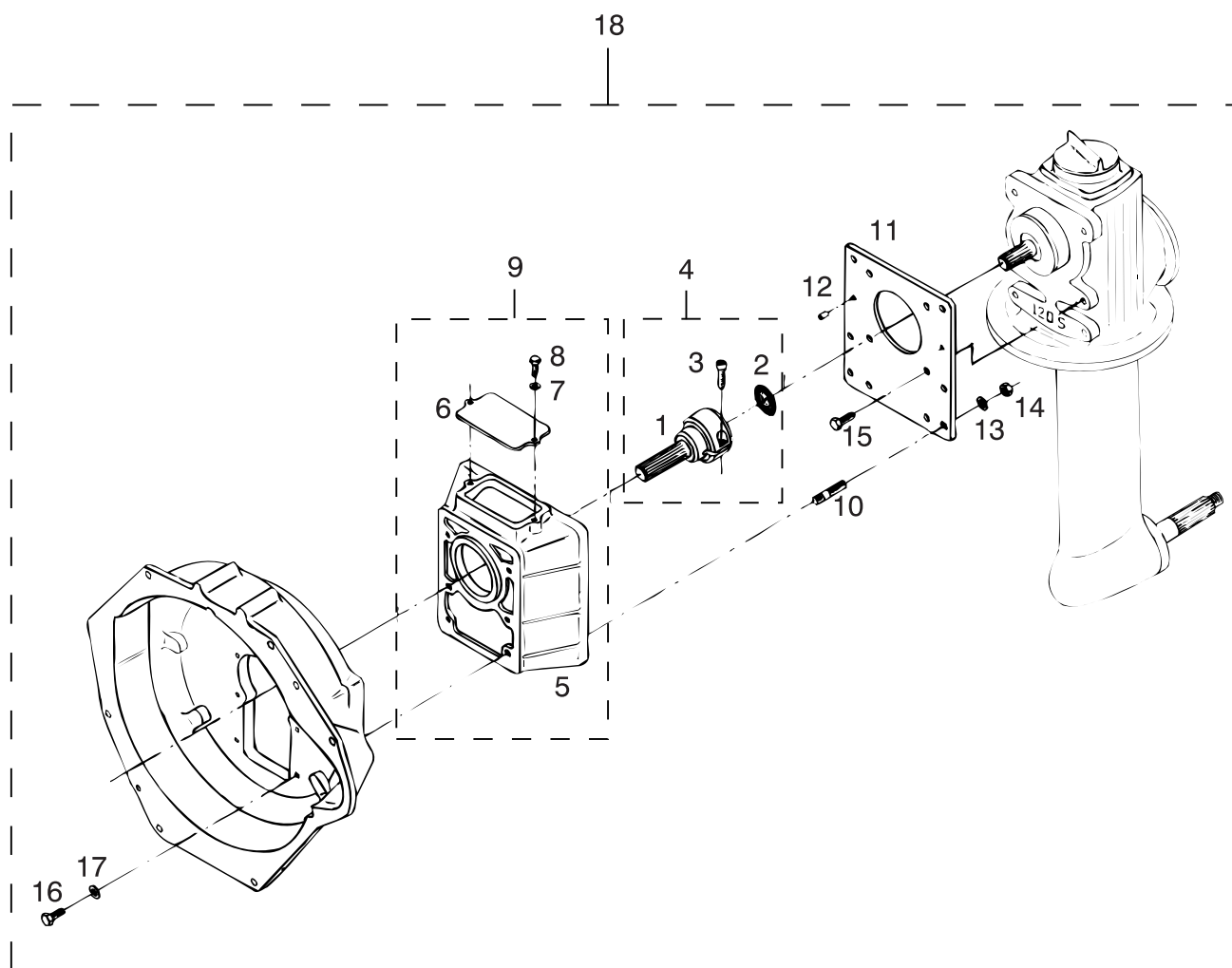
# onderdelencatalogus parts catalogue



groep/ group	blz./ page	type	omschrijving/description	datum/date
10	3	<input type="checkbox"/> M2.C5 <input type="checkbox"/> M2.D5 <input type="checkbox"/> M2.04 <input type="checkbox"/> M2.06	Verloopset saildrive 120S Adaptor kit saildrive 120S	05 10 99

pos.	qty	part	benaming	description
1	1	STM7606	Koppeling	Coupling
2	1	STM7608	Ring	Washer
3	2	STM8332	Inbusbout M8x30	Allen screw M8x30
4	1	STM7616	Koppeling compleet (1+2+3)	Coupling cpl. (1+2+3)
5	1	STM7601	Adapterhuis	Adaptor case
6	1	STM7603	Deksel	Cover
7	2	STM1025	Gegolfde veerring M6	Wave spring washer M6
8	2	STM1024	Bout M6x15	Bolt M6x15
9	1	STM7612	Adapterhuis cpl. (5+6+7+8)	Adaptor case cpl. (5+6+7+8)
10	6	STM7620	Tapeind M10x25	Stud M10x25
11	1	STM7604	Adapter flens	Adaptor flange
12	2	STM2507	Paspen ø8x12	Pin ø8x12
13	6	STM2022	Gegolfde veerring M10	Wave spring washer M10
14	6	STM4018	Moer M10	Nut M10
15	6	STM8391	Bout M10x25 (sw16)	Bolt M10x25
16	6	STM2022	Gegolfde veerring M10	Wave spring washer M10
17	6	STM4018	Moer M10	Nut M10
18	6	STM1651	Bout M8x35	Bolt M8x35
19	6	STM1019	Gegolfde veerring M8	Wave spring washer M8
20	1	STM7621	Aanbouwset cpl.	Adator kit cpl.

groep/ group	blz./ page	type	omschrijving/description	datum/date
10	3	M2.C5 M2.04	Verloopset saildrive 120S Adaptor kit saildrive 120S	05 10 99



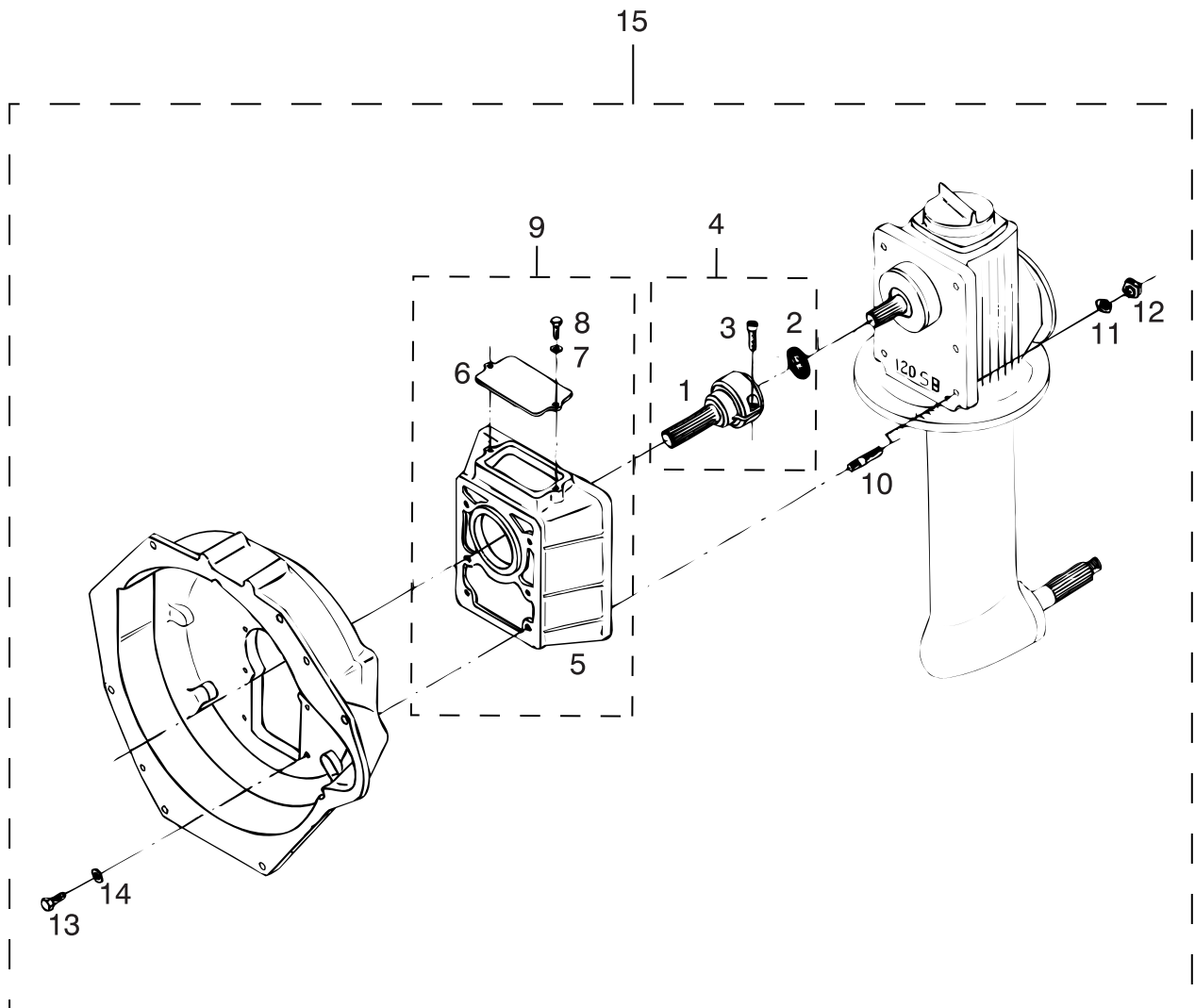
# onderdelencatalogus parts catalogue



groep/ group	blz./ page	type	omschrijving/description	datum/date
10	4	<input type="checkbox"/> M2.C5 <input type="checkbox"/> M2.D5 <input type="checkbox"/> M2.04 <input type="checkbox"/> M2.06	Verloopset saildrive 120SB Adaptor kit saildrive 120SB	05 10 99

pos.	qty	part	benaming	description
1	1	STM7606	Koppeling	Coupling
2	1	STM7608	Ring	Washer
3	2	STM8332	Inbusbout M8x30	Allen screw M8x30
4	1	STM7616	Koppeling compleet (1+2+3)	Coupling cpl. (1+2+3)
5	1	STM7602	Adapterhuis	Adaptor case
6	1	STM7603	Deksel	Cover
7	2	STM1025	Gegolfde veerring M6	Wave spring washer M6
8	2	STM1024	Bout M6x15	Bolt M6x15
9	1	STM7617	Adapterhuis cpl. (5+6+7+8)	Adaptor case cpl. (5+6+7+8)
10	6	STM7618	Tapeind M10x35	Stud M10x35
11	6	STM2022	Gegolfde veerring M10	Wave spring washer M10
12	6	STM4018	Moer M10	Nut M10
13	6	STM1651	Bout M8x35	Bolt M8x35
14	6	STM1019	Gegolfde veerring M8	Wave spring washer M8
15	1	STM7619	Aanbouwset cpl.	Adaptor kit cpl.

groep/ group	blz./ page	type	omschrijving/description	datum/date				
10	4	<table border="1"> <tr> <td>M2.C5</td> <td>M2.D5</td> </tr> <tr> <td>M2.04</td> <td>M2.06</td> </tr> </table>	M2.C5	M2.D5	M2.04	M2.06	Verloopset saildrive 120SB Adaptor kit saildrive 120SB	05 10 99
M2.C5	M2.D5							
M2.04	M2.06							



# onderdelencatalogus parts catalogue



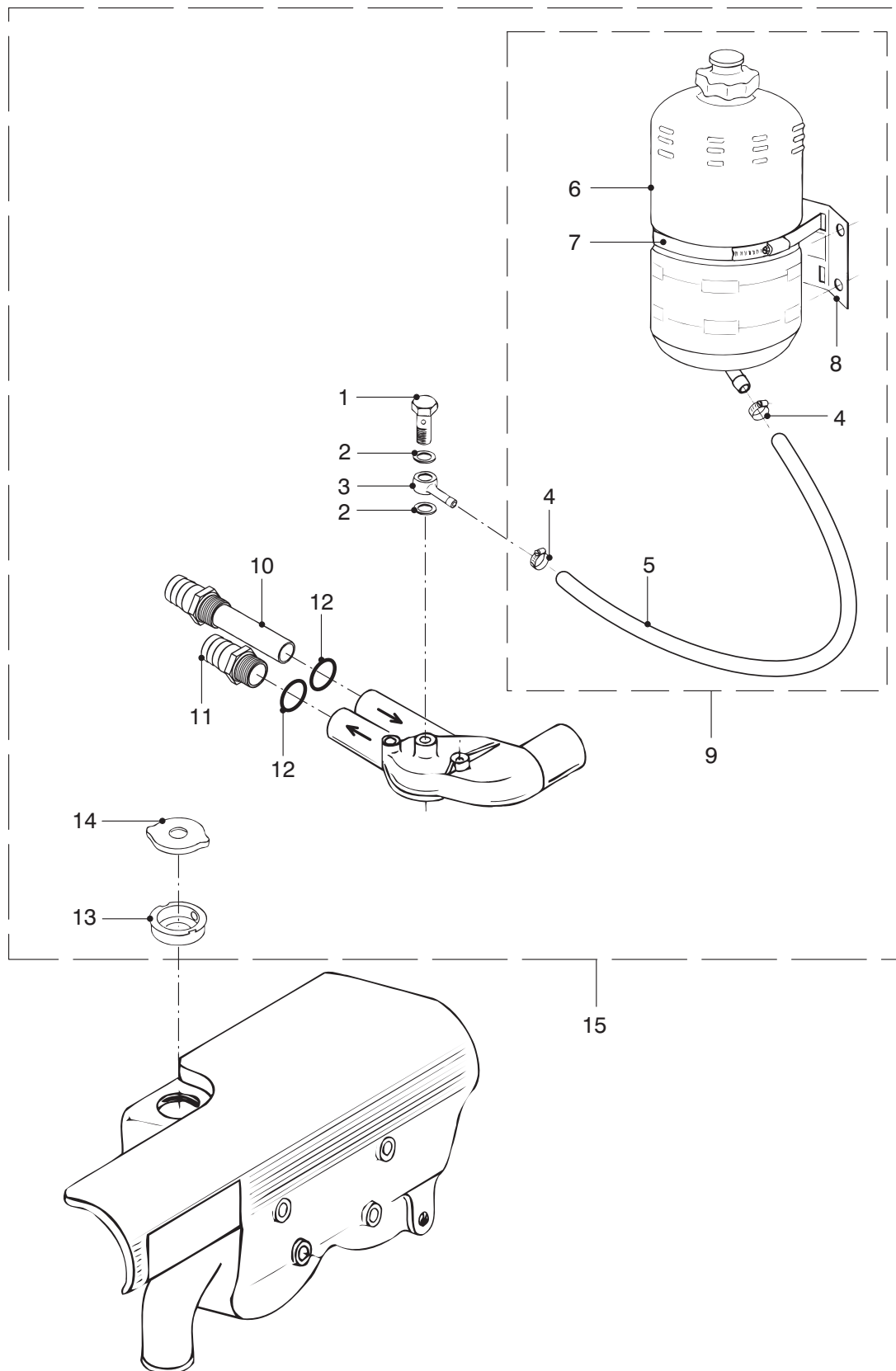
groep/ group 10	blz./ page 5	type		omschrijving/description Boileraansluiting Calorifier connection	datum/date 18 02 03
		M2.C5	M2.D5		
		M2.04			

pos.	qty	part	benaming	description
1	1	STM6199	Banjo bout M10 x 1,5	Banjo bolt M10 x 1,5
2	2	STM2018	Afdichtring M10	Seal washer M10
3	1	STM6198	Banjo oog	Banjo eye
4	2	STM9505	Klem	Clamp
5	1	STM9504	Slang	Hose
6	1	STM9501	Expansie tank	Headertank
7	1	STM9503	Slangklem 140-180	Hose clamp 140-180
8	1	STM9502	Bevestigingsbeugel	Support
9	1	STM9500	Expansietank compleet (4 t/m 8)	Headertank compl. (4 till 8)
10	1	STM6343	Slangpilaar (lang)	Hose pillar
11	1	STM3736	Slangpilaar (kort)	Hose pillar
12	2	STM6617	Afdichtring	Seal washer
13	1	STM3750	Vulnek	Filler neck
14	1	STM9507	Vuldop (Do not open)	Filler cap (Do not open)
15	1	STM6235	Boilerset compleet	Calorifier set compl.

Let op!

Deze pagina geldt vanaf het moment dat er motoren met een gewijzigd thermostaathuis STM6112 zijn geproduceerd.  
Op motoren van voor deze datum dient tevens een gewijzigd thermostaathuis te worden gemonteerd!

groep/ group	blz./ page	type	omschrijving/description	datum/date
10	5	M2.C5 M2.D5 M2.04	Boileraansluiting Calorifier connection	21 01 03



# register index



art. nr. part no.	groep group	blz. page	pos. pos.	art. nr. part no.	groep group	blz. page	pos. pos.	art. nr. part no.	groep group	blz. page	pos. pos.	art. nr. part no.	groep group	blz. page	pos. pos.
AD14-16	4	8	16	STM1030	6	1	11	STM1123	2	2	27	STM1185	2	5	13
CT40029	4	1	12	STM1030	4	1	11	STM1125	2	2	30	STM1186	2	5	14
CT40075	4	9	7	STM1035	2	5	17	STM1126	2	2	32	STM1187	2	5	16
CT40075	4	1a	7	STM1054	5	1	13	STM1127	2	2	33	STM1189	2	6	2
CT40083	4	8	12	STM1054	5	2	11	STM1127	3	7	7	STM1190	2	6	3
CT40131	4	10	19	STM1054	10	1	10	STM1128	2	2	35	STM1191	2	6	4
CT40131	4	3	19	STM1056	3	1	8	STM1128	3	7	9	STM1192	2	6	5
CT40133	4	3	21	STM1056	3	2	8	STM1129	2	2	36	STM1193	2	6	6
CT40133	4	10	20	STM1056	3	5a	17	STM1129	3	7	11	STM1195	2	6	9
MITSTEUN	2	1	4	STM1056	4	5	12	STM1130	3	7	10	STM1196	2	6	10
MITSTEUN	5	1	15	STM1056	5	1	6	STM1132	2	3	1	STM1198	2	6	1
MITSTEUN	5	2	13	STM1056	5	2	4	STM1133	2	3	2	STM1198	2	6	7
MITSTEUN	10	1	28	STM1056	10	1	5	STM1133	2	7	2	STM1198	2	6	12
MP00	4	4a	1	STM1056	3	5	4	STM1134	2	3	3	STM1199	2	6	13
MP22BS12	4	10	18	STM1059	3	1	16	STM1135	2	3	4	STM1200	2	6	14
MP22BS125	4	10	18	STM1059	3	2	9	STM1135	2	7	11	STM1201	2	6	15
P2295RKP	4	3	3	STM1062	3	1	17	STM1136	2	3	6	STM1202	2	6	16
P2295RKP	4	4	3	STM1062	3	1	48	STM1137	2	3	7	STM1203	2	6	17
P2295RKP	4	10	3	STM1062	3	2	10	STM1138	2	3	8	STM1204	2	6	18
P35134RKP	4	10	11	STM1062	4	8	15	STM1139	2	3	9	STM1205	2	6	19
P35164RKP	4	3	11	STM1073	2	1	4	STM1140	2	3	10	STM1206	2	6	20
P35254ZKP	4	3	15	STM1073	5	1		STM1141	2	3	11	STM1207	2	6	24
P35254ZKP	4	4	9	STM1073	5	2	16	STM1142	2	3	12	STM1208	2	6	25
P35254ZKP	4	10	15	STM1087	2	5	1	STM1143	2	3	13	STM1209	2	6	26
PA6488	4	10	10	STM1088	2	5	1	STM1143	3	7	17	STM1210	2	6	27
PA6488	4	3	10	STM1089	2	5	1	STM1144	2	3	14	STM1211	2	6	28
STM0051	1	1	23	STM1090	2	5	2	STM1144	3	7	16	STM1212	2	6	29
STM0051	2	3	38	STM1091	2	5	2	STM1145	2	3	15	STM1213	2	6	31
STM0052	1	1	29	STM1092	2	5	2	STM1145	3	7	15	STM1214	2	6	32
STM0062	1	1	26	STM1093	2	2	6	STM1146	2	3	17	STM1215	2	6	34
STM0063	1	1	27	STM1094	2	4	6	STM1147	2	3	18	STM1216	2	6	35
STM0064	1	1	28	STM1095	2	4	10	STM1147	2	7	13	STM1217	2	6	36
STM1006	1	1	8	STM1095	2	7	1	STM1148	2	3	19	STM1218	2	6	38
STM1006	3	1	14	STM1096	2	7	26	STM1149	2	3	20	STM1219	2	6	39
STM1007	1	1	9	STM1097	2	5	4	STM1149	2	7	16	STM1220	2	6	40
STM1007	3	1	15	STM1098	3	7	6	STM1150	2	3	26	STM1221	2	6	41
STM1007	3	1	40	STM1098	6	2	1	STM1151	2	3	29	STM1222	2	8	1
STM1007	3	2	29	STM1098	6	3	25	STM1153	2	3	32	STM1223	2	8	2
STM1017	3	1	4	STM1099	6	3	7	STM1154	2	3	33	STM1224	2	8	4
STM1019	3	1	20	STM1100	2	2	1	STM1155	2	3	34	STM1225	2	8	5
STM1019	3	2	17	STM1101	2	2	2	STM1155	2	7	20	STM1226	2	7	14
STM1019	3	7	4	STM1101	2	7	7	STM1156	2	3	35	STM1226	2	8	8
STM1019	4	2	9	STM1102	2	2	3	STM1157	2	3	39	STM1227	3	6	2
STM1019	5	1	8	STM1103	2	2	4	STM1158	2	3	40	STM1227	3	7	26
STM1019	5	2	6	STM1104	2	2	5	STM1159	2	4	3	STM1228	3	6	3
STM1019	6	1	14	STM1106	2	2	7	STM1160	2	4	5	STM1228	3	7	27
STM1019	10	2	14	STM1108	2	2	9	STM1162	2	4	7	STM1229	3	6	4
STM1019	10	3	19	STM1109	2	2	10	STM1163	2	4	8	STM1229	3	7	19
STM1019	10	4	14	STM1111	2	2	12	STM1164	2	4	9	STM1230	2	7	9
STM1019	4	1	20	STM1112	2	2	13	STM1166	2	4	11	STM1230	3	6	5
STM1019	4	9	11	STM1113	2	2	14	STM1167	2	4	12	STM1230	3	7	20
STM1019	4	1a	11	STM1113	2	7	10	STM1168	2	4	13	STM1231	3	6	6
STM1024	10	2	8	STM1114	2	2	16	STM1169	2	4	14	STM1231	3	7	21
STM1024	10	3	8	STM1114	2	7	19	STM1170	2	4	15	STM1232	3	6	8
STM1024	10	4	8	STM1114	3	7	14	STM1171	2	4	16	STM1232	3	7	23
STM1025	3	1	35	STM1115	2	2	17	STM1172	2	4	17	STM1233	3	6	9
STM1025	3	2	37	STM1116	2	2	18	STM1173	2	4	18	STM1233	3	7	24
STM1025	4	1	6	STM1116	2	7	12	STM1177	2	5	5	STM1234	3	6	14
STM1025	6	1	12	STM1117	2	2	19	STM1179	2	5	7	STM1235	2	7	23
STM1025	10	2	7	STM1118	2	2	21	STM1180	2	5	8	STM1235	3	6	15
STM1025	10	3	7	STM1119	2	2	22	STM1181	2	5	9	STM1236	3	6	17
STM1025	10	4	7	STM1120	2	2	23	STM1182	2	5	10	STM1237	3	6	18
STM1027	3	1	5	STM1121	2	2	24	STM1183	2	5	11	STM1238	3	6	19
STM1027	3	3	5	STM1122	2	2	26	STM1184	2	5	12	STM1241	4	5	1



# register index



art. nr. part no.	groep group	blz. page	pos. pos.	art. nr. part no.	groep group	blz. page	pos. pos.	art. nr. part no.	groep group	blz. page	pos. pos.	art. nr. part no.	groep group	blz. page	pos. pos.
STM1241	4	6	23	STM1303	6	2	15	STM1368	6	4	38	STM1430	2	5	2
STM1242	4	5	4	STM1304	6	2	16	STM1369	6	4	39	STM1431	2	5	2
STM1243	4	5	5	STM1305	6	3	1	STM1370	6	4	40	STM1432	2	5	2
STM1243	4	7	16	STM1306	6	3	2	STM1371	6	4	41	STM1436	2	5	2
STM1244	4	5	8	STM1307	6	3	3	STM1372	6	4	42	STM1437	2	5	2
STM1245	4	5	9	STM1308	6	3	4	STM1373	6	4	43	STM1438	2	5	2
STM1246	4	5	11	STM1309	6	3	5	STM1374	2	7	8	STM1439	6	4	46
STM1247	4	5	13	STM1310	6	3	6	STM1374	6	4	44	STM1440	6	4	47
STM1250	4	5	17	STM1312	6	3	8	STM1375	4	8	3	STM1441	6	4	33
STM1250	4	6	6	STM1313	6	3	9	STM1377	6	5	1	STM1610	2	3	31
STM1251	4	6	1	STM1314	6	3	10	STM1378	6	5	2	STM1610	4	2	8
STM1252	4	6	2	STM1315	6	3	11	STM1379	6	5	2	STM1610	5	1	7
STM1253	4	6	3	STM1316	6	3	12	STM1380	6	5	2	STM1610	5	2	5
STM1254	4	6	4	STM1317	6	3	12	STM1381	6	5	2	STM1620	4	5	6
STM1255	4	6	5	STM1318	6	3	12	STM1382	6	5	2	STM1651	10	1	4
STM1256	4	6	7	STM1319	6	3	12	STM1383	6	5	2	STM1651	10	2	13
STM1257	4	6	8	STM1320	6	3	12	STM1384	6	5	2	STM1651	10	3	18
STM1258	4	6	9	STM1321	6	3	12	STM1385	6	5	2	STM1651	10	4	13
STM1259	4	6	10	STM1322	6	3	12	STM1386	6	5	2	STM1652	2	3	30
STM1260	4	6	11	STM1323	6	3	12	STM1387	10	1	35	STM1660	4	5	3
STM1261	4	6	12	STM1324	6	3	12	STM1388	6	5	3	STM1703	4	2	1
STM1262	4	6	13	STM1325	6	3	12	STM1389	6	5	4	STM1703	10	1	20
STM1263	4	6	14	STM1326	6	3	12	STM1390	6	5	5	STM1704	4	2	2
STM1264	4	6	15	STM1327	6	3	12	STM1391	6	5	6	STM1704	10	1	21
STM1265	4	6	16	STM1328	6	3	12	STM1392	6	5	7	STM1705	4	1	5
STM1266	4	6	17	STM1329	6	3	12	STM1394	2	2	29	STM1705	4	2	12
STM1267	4	6	18	STM1330	6	3	13	STM1395	2	2	29	STM1705	10	1	22
STM1268	4	6	19	STM1331	6	3	19	STM1396	2	2	29	STM1705	4	1	18
STM1269	4	6	20	STM1332	6	3	20	STM1397	2	5	1	STM1705	4	9	9
STM1270	4	6	21	STM1333	6	3	21	STM1398	2	5	1	STM1705	4	1a	9
STM1271	4	6	22	STM1334	6	3	22	STM1399	2	5	1	STM1707	4	2	13
STM1272	4	7	1	STM1335	6	3	23	STM1406	2	2	6	STM1707	10	1	14
STM1273	4	7	2	STM1336	6	3	24	STM1407	2	2	6	STM1707	4	1	4
STM1274	4	7	3	STM1337	6	4	1	STM1408	2	4	6	STM1707	4	1	17
STM1275	4	7	4	STM1338	6	4	2	STM1409	2	4	10	STM1806	10	1	23
STM1276	4	7	5	STM1339	6	4	4	STM1409	2	7	1	STM1806	4	2	4
STM1277	4	7	6	STM1340	6	4	6	STM1410	2	3	41	STM1807	4	2	3
STM1278	4	7	7	STM1341	6	4	7	STM1411	2	4	6	STM1807	10	1	24
STM1279	4	7	8	STM1342	6	4	8	STM1412	2	4	10	STM1808	4	2	5
STM1280	4	7	9	STM1343	6	4	9	STM1412	2	7	1	STM1808	10	1	25
STM1281	4	7	10	STM1344	6	4	10	STM1413	2	5	1	STM1851	4	2	6
STM1282	4	7	11	STM1345	6	4	11	STM1414	2	5	1	STM1852	4	2	10
STM1283	4	7	12	STM1346	6	4	12	STM1415	2	5	1	STM2005	3	5	5
STM1284	4	7	13	STM1347	6	4	13	STM1419	2	5	4	STM2005	3	7	5
STM1285	4	7	14	STM1348	6	4	14	STM1420	2	5	4	STM2005	3	5a	18
STM1286	4	7	15	STM1349	6	4	15	STM1421	2	5	3	STM2005	4	2	7
STM1288	6	2	2	STM1351	6	4	16	STM1421	2	5	3	STM2006	3	1	42
STM1289	6	2	2	STM1352	6	4	17	STM1421	2	5	3	STM2006	4	8	10
STM1290	6	2	2	STM1353	6	4	18	STM1422	2	5	3	STM2012	1	1	16
STM1291	6	2	2	STM1354	2	7	21	STM1422	2	5	3	STM2012	3	1	28
STM1292	6	2	2	STM1354	6	4	24	STM1422	2	5	3	STM2012	3	3	7
STM1293	6	2	2	STM1355	6	4	45	STM1423	2	5	3	STM2018	1	1	6
STM1294	6	2	2	STM1356	6	4	25	STM1423	2	5	3	STM2018	3	1	39
STM1295	6	2	2	STM1357	6	4	26	STM1423	2	5	3	STM2018	3	1	45
STM1296	6	2	2	STM1358	6	4	27	STM1424	2	7	26	STM2018	3	2	21
STM1297	6	2	3	STM1359	6	4	28	STM1425	2	7	26	STM2018	10	5	2
STM1298	6	2	4	STM1360	6	4	29	STM1426	3	7	6	STM2019	3	1	43
STM1298	6	5	8	STM1361	6	4	30	STM1426	6	2	1	STM2019	4	8	11
STM1299	2	7	17	STM1362	6	4	31	STM1426	6	3	25	STM2022	2	1	3
STM1299	6	2	5	STM1363	6	4	32	STM1427	3	7	6	STM2022	2	5	18
STM1300	6	2	6	STM1364	6	4	33	STM1427	6	2	1	STM2022	10	1	13
STM1301	6	2	7	STM1365	6	4	35	STM1427	6	3	25	STM2022	10	2	11
STM1302	6	2	14	STM1366	6	4	36	STM1428	6	3	7	STM2022	10	3	13
STM1303	2	7	22	STM1367	6	4	37	STM1429	6	3	7	STM2022	10	3	16

# register index



art. nr. part no.	groep group	blz. page	pos. pos.	art. nr. part no.	groep group	blz. page	pos. pos.	art. nr. part no.	groep group	blz. page	pos. pos.	art. nr. part no.	groep group	blz. page	pos. pos.
STM2022	10	4	11	STM3712	4	9	19	STM5402	5	1	18	STM6133	3	4	2
STM2258	2	2	38	STM3712	4	1a	18	STM5403	5	1	18	STM6134	4	1	1
STM2258	3	7	12	STM3713	4	1	28	STM5442	5	1	18	STM6135	4	1	2
STM2260	2	3	16	STM3713	4	9	18	STM5443	5	1	18	STM6138	1	1	19
STM2260	3	7	18	STM3713	4	1a	17	STM5900	10	1	30	STM6138	3	1	29
STM2387	4	8	4	STM3714	4	1	26	STM6049	6	1	4	STM6138	3	2	31
STM2507	2	2	41	STM3714	4	9	16	STM6050	6	1	1	STM6138	3	3	1
STM2507	5	1	9	STM3714	4	1a	15	STM6101	2	1	1	STM6139	3	4	6
STM2507	5	2	7	STM3715	4	1	27	STM6102	2	1	2	STM6140	3	1	2
STM2507	10	1	7	STM3715	4	9	17	STM6103	5	1	1	STM6142	3	1	1
STM2507	10	3	12	STM3715	4	1a	16	STM6104	5	1	10	STM6143	4	1	23
STM2510	2	2	25	STM3736	10	5	11	STM6104	5	2	9	STM6144	4	1	24
STM2513	2	2	28	STM3749	4	5	7	STM6104	10	1	8	STM6145	4	1	22
STM2588	2	6	22	STM3749	3	4	9	STM6105	5	1	2	STM6146	4	1	3
STM2589	2	6	23	STM3750	3	2	3	STM6105	10	1	1	STM6147	3	1	38
STM2589	2	7	3	STM3750	10	5	13	STM6106	5	1	3	STM6152	3	1	23
STM2719	6	4	5	STM3758	5	1	20	STM6106	5	2	2	STM6152	3	2	12
STM2720	6	4	3	STM3760	5	1	20	STM6106	10	1	2	STM6155	2	3	27
STM2737	6	4	34	STM3762	4	1	30	STM6107	5	1	4	STM6155	3	1	34
STM2742	4	8	2	STM3762	4	9	20	STM6107	5	2	2	STM6155	3	2	36
STM3012	1	1	18	STM3762	4	1a	19	STM6108	3	1	3	STM6155	3	6	7
STM3012	3	4	7	STM3767	4	2	11	STM6109	3	5	1	STM6155	3	7	22
STM3066	4	1	35	STM3773	5	1	21	STM6109	3	7	1	STM6156	3	1	37
STM3066	4	9	13	STM3796	3	1	41	STM6109	3	5a	16	STM6156	3	2	39
STM3066	4	1a	13	STM3796	3	2	30	STM6111	5	1	5	STM6157	3	1	18
STM3255	3	7	13	STM3797	1	1	12	STM6111	5	2	3	STM6157	3	2	11
STM3260	2	2	34	STM3797	6	1	2	STM6112	3	1	33	STM6158	3	4	3
STM3260	3	7	8	STM3890	4	4a	3	STM6112	3	2	35	STM6160	3	5	6
STM3260	4	1	13	STM3930	4	5	8	STM6113	1	1	7	STM6161	3	5a	5
STM3353	1	1	10	STM4010	2	1	5	STM6113	3	1	10	STM6162	3	5	8
STM3355	2	2	39	STM4010	5	1	16	STM6114	3	4	4	STM6162	3	5a	14
STM3355	3	1	7	STM4010	5	2	14	STM6115	6	1	6	STM6163	3	5	9
STM3355	3	2	7	STM4010	5	2	17	STM6116	1	1	17	STM6164	3	5	10
STM3355	3	4	8	STM4010	10	1	26	STM6116	3	1	30	STM6166	3	5	12
STM3355	4	1	19	STM4011	2	1	6	STM6116	3	2	32	STM6167	3	5	13
STM3355	4	9	10	STM4011	5	1	17	STM6116	3	2	41	STM6168	3	5a	7
STM3355	4	1a	10	STM4011	5	2	15	STM6116	3	3	6	STM6168	3	5	14
STM3518	3	1	47	STM4011	5	2	18	STM6117	3	1	22	STM6169	3	5a	6
STM3528	5	1	14	STM4011	10	1	27	STM6118	1	1	5	STM6169	3	5	15
STM3528	5	2	12	STM4013	2	5	19	STM6118	3	1	36	STM6170	3	5a	12
STM3528	10	1	11	STM4013	4	5	2	STM6118	3	2	38	STM6170	3	5	16
STM3546	2	2	11	STM4013	6	1	7	STM6119	3	4	1	STM6171	3	5a	1
STM3549	2	2	31	STM4014	10	1	18	STM6120	2	8	7	STM6171	3	5	17
STM3555	2	3	5	STM4018	6	1	9	STM6120	3	4	5	STM6172	3	5	18
STM3562	2	3	28	STM4018	10	1	15	STM6121	3	1	19	STM6172	3	5a	11
STM3565	2	3	36	STM4018	10	1	19	STM6121	3	2	18	STM6173	3	5a	13
STM3565	2	4	1	STM4018	10	2	12	STM6123	1	1	21	STM6173	3	5	19
STM3566	1	1	24	STM4018	10	3	14	STM6123	3	3	3	STM6174	3	5	20
STM3566	2	2	37	STM4018	10	3	17	STM6124	1	1	22	STM6176	3	2	2
STM3566	2	3	37	STM4018	10	4	12	STM6124	3	1	27	STM6177	3	2	1
STM3566	2	4	2	STM4043	3	2	5	STM6124	3	3	4	STM6178	1	1	20
STM3586	2	5	6	STM4056	5	1	11	STM6126	3	1	24	STM6178	3	2	42
STM3600	2	5	15	STM4056	5	2	10	STM6126	3	2	14	STM6178	3	3	2
STM3604	2	6	8	STM4056	5	2	21	STM6126	3	5	3	STM6179	3	2	13
STM3612	2	6	30	STM4056	10	1	9	STM6126	3	7	3	STM6180	6	1	10
STM3613	2	6	33	STM4061	6	1	8	STM6126	3	5a	10	STM6185	6	1	22
STM3614	2	6	37	STM5103	5	1	18	STM6127	1	1	14	STM6186	6	1	23
STM3620	2	6	21	STM5162	5	1	18	STM6127	3	5	2	STM6189	6	1	18
STM3683	4	5	10	STM5163	5	1	18	STM6127	3	7	2	STM6190	6	1	19
STM3690	1	1	11	STM5171	5	1	22	STM6127	3	5a	8	STM6191	6	1	20
STM3690	6	1	5	STM5176	5	1	21	STM6128	3	1	9	STM6192	6	1	21
STM3695	3	1	49	STM5177	5	1	21	STM6130	3	1	13	STM6194	1	1	30
STM3696	6	1	3	STM5352	5	1	18	STM6131	3	1	12	STM6196	3	1	46
STM3712	4	1	29	STM5353	5	1	18	STM6132	3	1	11	STM6198	3	2	20

# register index



art. nr. part no.	groep group	blz. page	pos. pos.	art. nr. part no.	groep group	blz. page	pos. pos.	art. nr. part no.	groep group	blz. page	pos. pos.	art. nr. part no.	groep group	blz. page	pos. pos.
STM6198	10	5	3	STM6258	6	3	15	STM7601	10	3	5	STM9135	4	4a	2
STM6199	3	1	44	STM6259	6	1	28	STM7602	10	4	5	STM9136	4	4a	4
STM6199	3	2	22	STM6259	6	3	14	STM7603	10	2	6	STM9164	4	3	13
STM6199	10	5	1	STM6263	1	1	25	STM7603	10	3	6	STM9168	4	3	2
STM6201	5	1	12	STM6263	3	6	10	STM7603	10	4	6	STM9169	4	10	4
STM6203	4	1	21	STM6263	3	7	25	STM7604	10	3	11	STM9169	4	3	4
STM6204	4	3	13	STM6263	4	5	16	STM7605	10	2	1	STM9169	4	4	4
STM6207	4	3	18	STM6264	4	8	1	STM7606	10	3	1	STM9170	4	3	5
STM6208	4	3	17	STM6265	4	5	14	STM7606	10	4	1	STM9170	4	10	5
STM6209	4	3	22	STM6265	4	8	5	STM7607	10	2	2	STM9171	4	3	6
STM6211	4	4	7	STM6266	4	5	15	STM7608	10	3	2	STM9171	4	10	6
STM6212	4	4	10	STM6266	4	8	6	STM7608	10	4	2	STM9172	4	4	5
STM6216	10	1	12	STM6267	4	8	7	STM7611	10	2	4	STM9172	4	10	7
STM6219	10	1	3	STM6268	3	6	21	STM7612	10	2	9	STM9172	4	3	7
STM6222	4	4a	5	STM6268	4	8	8	STM7612	10	3	9	STM9173	4	3	8
STM6222	4	1	25	STM6269	2	7	25	STM7614	10	2	15	STM9174	4	3	9
STM6223	4	1	25	STM6269	3	6	20	STM7615	10	2	10	STM9176	4	10	8
STM6223	4	4a	5	STM6269	4	8	9	STM7616	10	3	4	STM9177	4	10	9
STM6224	4	1	25	STM6269	4	8	17	STM7616	10	4	4	STM9177	4	3	20
STM6224	4	4a	5	STM6275	4	1	31	STM7617	10	4	9	STM9180	4	3	14
STM6225	4	1	25	STM6275	4	5	21	STM7618	10	4	10	STM9180	4	10	14
STM6225	4	4a	5	STM6276	4	1	32	STM7619	10	4	15	STM9184	4	1	8
STM6226	10	1	29	STM6276	4	5	22	STM7620	10	3	10	STM9184	4	9	3
STM6227	3	4	2	STM6277	4	5	18	STM7621	10	3	20	STM9184	4	1a	3
STM6228	3	4	3	STM6278	4	5	19	STM7688	3	5a	3	STM9185	1	1	1
STM6229	4	1	33	STM6279	2	2	40	STM7689	3	5a	4	STM9185	4	1	9
STM6229	4	1a	12	STM6279	5	1	19	STM7691	3	5a	15	STM9185	4	9	4
STM6231	4	1	34	STM6279	5	2	8	STM7696	3	5a	9	STM9185	4	1a	4
STM6235	3	1	50	STM6279	10	1	6	STM8002	1	1	15	STM9186	4	3	1
STM6235	10	5	15	STM6293	5	2	1	STM8002	2	6	11	STM9186	4	10	1
STM6236	3	2	40	STM6294	5	2	1	STM8002	3	5	11	STM9187	4	3	17
STM6238	4	2	14	STM6295	3	4	2	STM8057	6	1	17	STM9188	4	4	11
STM6240	3	4	2	STM6296	3	4	3	STM8061	1	1	13	STM9188	4	10	17
STM6241	3	4	3	STM6299	3	1	26	STM8061	3	5	7	STM9188	4	3	16
STM6246	4	9	1	STM6299	3	2	16	STM8177	4	9	8	STM9197	4	3	22
STM6246	4	1a	1	STM6341	4	8	13	STM8177	4	1a	8	STM9213	4	3	24
STM6248	4	9	2	STM6343	10	5	10	STM8326	4	8	14	STM9213	4	4	14
STM6248	4	1a	2	STM6345	5	1	10	STM8332	10	2	3	STM9214	4	10	16
STM6249	3	5a	2	STM6345	5	2	9	STM8332	10	3	3	STM9214	4	3	23
STM6250	1	1	3	STM6617	10	5	12	STM8332	10	4	3	STM9214	4	4	15
STM6250	3	1	31	STM6904	10	1	16	STM8391	10	3	15	STM9215	4	4	6
STM6250	3	2	33	STM6905	10	1	31	STM9047	4	10	8	STM9215	4	10	12
STM6250	3	6	13	STM6906	10	1	32	STM9050	1	1	2	STM9215	4	3	12
STM6251	1	1	4	STM6909	10	1	17	STM9050	4	1	15	STM9262	6	1	15
STM6251	2	7	24	STM6909	10	1	33	STM9050	4	9	6	STM9500	3	2	28
STM6251	3	1	32	STM6910	10	1	34	STM9050	4	1a	6	STM9500	10	5	9
STM6251	3	2	34	STM6912	4	10	2	STM9052	4	1	14	STM9501	3	2	25
STM6251	3	6	12	STM6918	4	10	13	STM9052	4	9	5	STM9501	10	5	6
STM6252	2	7	15	STM6921	4	9	12	STM9052	4	1a	5	STM9502	3	2	27
STM6252	2	8	10	STM6941	4	9	14	STM9056	4	1	36	STM9502	10	5	8
STM6252	3	1	21	STM6942	4	9	14	STM9056	4	1a	14	STM9503	3	2	26
STM6252	3	2	19	STM6943	4	9	14	STM9056	4	4a	3	STM9503	10	5	7
STM6253	4	5	20	STM6944	4	9	14	STM9063	4	1	7	STM9504	3	2	23
STM6253	4	1	10	STM6945	4	9	15	STM9063	4	1	16	STM9504	10	5	5
STM6254	2	4	4	STM6946	4	9	15	STM9064	4	4	10	STM9505	3	2	24
STM6254	3	1	6	STM6947	4	9	15	STM9065	4	4	1	STM9505	10	5	4
STM6254	3	2	6	STM6948	4	9	15	STM9066	4	4	2	STM9507	3	2	4
STM6255	6	1	25	STM7056	6	1	16	STM9067	4	4	7	STM9507	10	5	14
STM6255	6	3	18	STM7059	6	1	13	STM9068	4	4	8	STM9531	1	1	31
STM6256	6	1	24	STM7222	4	4	16	STM9069	4	4	18	STM9731	4	10	21
STM6256	6	3	17	STM7254	4	4	17	STM9069	4	4	12				
STM6257	6	1	26	STM7584	5	2	19	STM9070	4	4	13				
STM6257	6	3	16	STM7595	5	2	20	STM9119	4	4a	3				
STM6258	6	1	27	STM7601	10	2	5	STM9132	4	4a	3				

***vetus diesel***

a division of ***vetus den ouden n.v.***

FOKKERSTRAAT 571 - 3125 BD SCHIEDAM - HOLLAND - TEL.: +31 (10) 4377700  
FAX: +31 (10) 4621286 - 4373474 - 4153249 - 4372673 - E-MAIL: DIESEL@VETUS.NL