

Parts catalogue

Generator sets

GHX8
GHX14

GLX6
GLX7
GLX14



Deze onderdelencatalogus bevat waardevolle informatie voor onderhoud en service aan uw generator.

Wij adviseren U, bij vervanging alleen originele **VETUS** onderdelen toe te passen.

Het typeplaatje bevat informatie over de typeaanduiding, het serienummer en de versie.

Gebruik deze informatie bij bestelling van onderdelen.

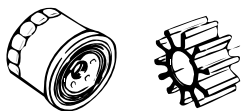
This parts'catalogue contains valuable information for maintenance and service over your generator.

For replacement, we recommend that you use only genuine **VETUS** parts.

The identification tag contains information about model, serial number and series.

Use this information when ordering parts.

1



Reserve kits
Spare parts kit

2

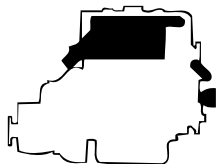


Motor
Engine

Raadpleeg de bij de motor
behorende onderdelencatalogus. *)

Consult the parts catalogue
for the engine concerned. *)

3

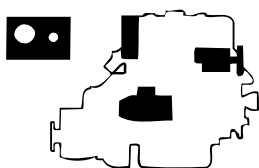


Koeling
Cooling

Raadpleeg de bij de motor
behorende onderdelencatalogus. *)

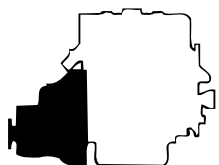
Consult the parts catalogue
for the engine concerned. *)

4



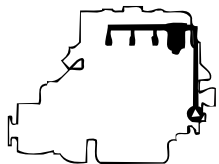
Electra, bediening en instrumenten
Electrics, controls and instruments

5



Aandrijving
Transmission

6



Brandstofsysteem
Fuel system

Raadpleeg de bij de motor
behorende onderdelencatalogus. *)

Consult the parts catalogue
for the engine concerned. *)

7

Generator
Generator

8

9

Behuizing en isolatie
Canopy and insulation

*) Motoronderdelencatalogi :

GHX8: M2.18

GLX6: M3.29

*) Engine parts catalogues :

GHX14: M3.29

GLX7: M3.29

GLX14: M4.45

Qty	part	benaming	description
2	STW6101	Motormechan 05-08	Engine support PS-08
4	STW6102	Bout M16x1,25x65	Bolt M16x1,25x65
4	STW6103	Washer	Washer
2	STW6104	Washer	Washer
4	STW6105	Moer M16x1,5	Nut M16x1,5
2	STW6106	Washer	Washer
2	STW6107	Chassis KOTELINISIV	Engine Mount KOTELINISIV
2	STW6108	Motormechan 05-08	Engine support SR PS
4	STW6109	Bout M12x1,75x65	Bolt M12x1,75x65
4	STW6110	Washer	Washer

1

De volledige stuklijst staat op deze pagina.

The full parts list is shown on this page.

Qty	part	benaming	description
1	STW1100	Zwaaierpompe	Swallow pump
1	STW1101	O-ring	O-ring
4	STW1102	Klemmerplaat	Clamp plate
4	STW1103	Ring	Washer
4	STW1104	Moer M8	Nut M8
1	STW1105	Brandstofpompe M2,04	Fuel pump M2,04
1	STW1106	Brandstofpompe M2,04	Fuel pump M2,04
1	STW1107	Brandstofpompe M2,04	Fuel pump M2,04
1	STW1108	Moer M8	Nut M8
1	STW1109	Washer	Washer
2	STW1110	Tapstuk M6x14	Stud M6x14
1	STW1111	Adapter	Adapter
1	STW1112	Bout M6x5	Bolt M6x5
1	STW1113	Bout M6x20	Bolt M6x20
1	STW1114	Washer	Washer

1 2

De stuklijst is verdeeld over 2 pagina's. Op deze pagina staat het eerste deel.

The parts list is spread over 2 pages. On this page the **first** part is shown.

Qty	part	benaming	description
1	STW1145	Omschakelaar	Oil pump housing
1	STW1146	Tandwiel buiten	Gear outer
1	STW1147	Tandwiel binnen	Gear inner
1	STW1148	Bout M6x10	Bolt M6x10
1	STW1149	Wasserpomp bromwater	Water pump coolant
1	STW1150	Washer	Washer
2	STW1151	Bout M6x18	Bolt M6x18
2	STW1152	Bout M6x15	Bolt M6x15
2	STW1153	Bout M6x5	Bolt M6x5
2	STW1154	Bout M6x5	Bolt M6x5
1	STW1155	Vastzet 1-925 mm, 40 A dynamo	V-belt 1-925 mm, 40 A dynamo
1	STW1156	Vastzet 1-925 mm, 75 A dynamo	V-belt 1-925 mm, 75 A dynamo
1	STW1157	Pulley waterpomp	Pulley water pump
4	STW1158	Bout M6x12	Bolt M6x12

1 2

De stuklijst is verdeeld over 2 pagina's. Op deze pagina staat het tweede deel.

The parts list is spread over 2 pages. On this page the **second** part is shown.

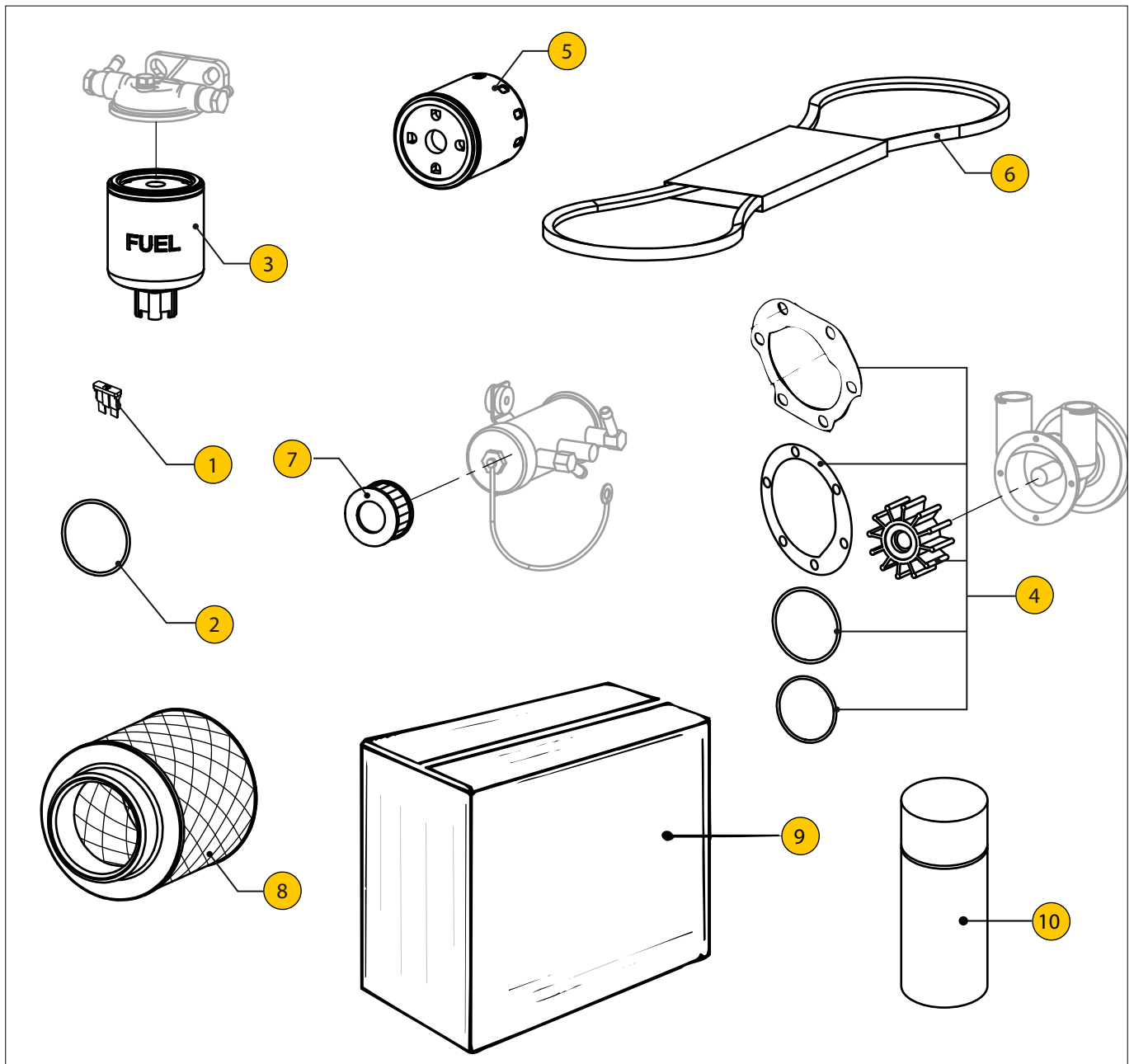
Qty	part	benaming	description
1	WV91008	Turbocompressor W4	Turbocompressor W4
4	WV91009	Moer M8	Nut M8
4	WV91010	Draadend M8	Stud M8
1	WV91011	Plaatje behoud	Guard plate
1	WV91012	Slang	Silicon hose
1	WV91013	Slangkleem 40x4	Clamp 40x4
1	WV91014	Sluit	Sealant
1	WV91015	Schroefspanning turbo	Actuator
2	WV91016	Bevestigings M8	Lock nut M8
2	WV91017	Ring M8	Washer M8
2	WV91018	Bout M6x14	Bolt M6x14
2	WV91019	Ring M8	Washer M8
1	WV91020	Slang 3x7 L=0,20 m	Hose 3x7 L=0,20 m
1	WV91021	Slangkleem 25-9	Hose clamp 25-9
1	WV91022	Plaat behoud	Guard plate
2	WV91023	Bout M6x20	Bolt M6x20
2	WV91024	Ring M8	Washer M8
2	WV91025	Ring M8	Washer M8
1	WV91026	Bout	Bolt
1	WV91027	Sluitingsbeugel W4	Bracket manifold W4

1

- Verkrijgbaar als reserveonderdelen.
Andere onderdeelnummers zijn nog niet geactiveerd als reserveonderdeel. Deze zijn mogelijk beschikbaar op aanvraag.
- Available as spare parts.
Remaining part numbers have not been set up as spare part. Potentially available on request.

Inhoud Contents

pag. page	type	omschrijving	description
1-1	GHX8SIC GHX14TIC GHX14SIC GLX6SIC GLX7SIC	Serviceonderdelen	Service parts
1-2	GLX14SIC GLX14TIC	Serviceonderdelen	Service parts
4-1	GHX8SIC	Bedrading en besturing	Wiring loom and controls
4-2	GHX14SIC	Bedrading en besturing	Wiring loom and controls
4-3	GLX14SIC	Bedrading en besturing	Wiring loom and controls
4-4	GLX6SIC GLX7SIC	Bedrading en besturing	Wiring loom and controls
4-5	GHX14TIC	Bedrading en besturing	Wiring loom and controls
4-6	GLX14TIC	Bedrading en besturing	Wiring loom and controls
7-1	GHX8SIC	Generator + Motor	Generator + Engine
7-2	GHX14SIC	Generator + Motor	Generator + Engine
7-3	GLX14SIC	Generator + Motor	Generator + Engine
7-4	GLX6SIC GLX7SIC	Generator + Motor	Generator + Engine
7-5	GHX14TIC	Generator + Motor	Generator + Engine
7-6	GLX14TIC	Generator + Motor	Generator + Engine
9-1	GHX8SIC	Behuizing en isolatie	Canopy and insulation
9-2	GHX14SIC	Behuizing en isolatie	Canopy and insulation
9-3	GHX14SIC	Behuizing	Canopy
9-4	GHX8SIC	Behuizing	Canopy
9-5	GLX14SIC	Behuizing en isolatie	Canopy and insulation
9-6	GLX14SIC	Behuizing	Canopy
9-7	GLX6SIC GLX7SIC	Behuizing en isolatie	Canopy and insulation
9-8	GLX6SIC GLX7SIC	Behuizing	Canopy
9-9	GHX14TIC	Behuizing en isolatie	Canopy and insulation
9-10	GHX14TIC	Behuizing	Canopy
9-11	GLX14TIC	Behuizing en isolatie	Canopy and insulation
9-12	GLX14TIC	Behuizing	Canopy
		Register	Index

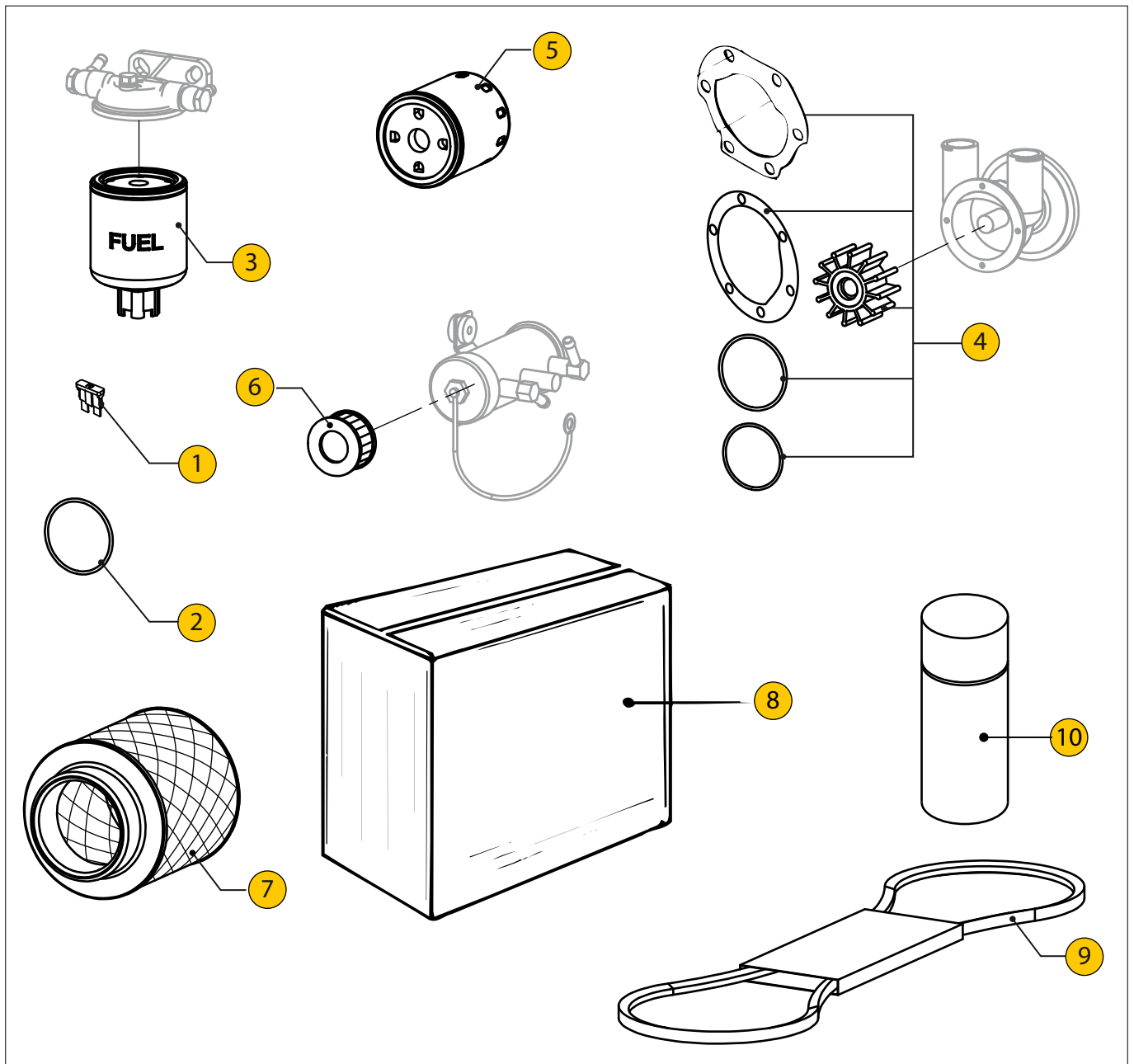


GHX8SIC **GLX6SIC**
GHX14TIC **GLX7SIC**
GHX14SIC

Serviceonderdelen

Service parts

pos.	qty	part	benaming	description
1	5	08-01420	Steekzekering ATO 20A	ATO fuse 20A
2	2	STM6113	O-ring Warmtewisselaar 61x2,5	O-ring Heat exchanger 61x2.5
3	1	STM3690	Brandstoffilter	Fuel filter
4	1	STM8076	Impeller + pakkingen	Impeller + gaskets
5	1	STM0051	Oliefilter	Oil filter
6	1	STM7439	V-snaar l=925 (75A dyn)	V-belt l=925 (75A alt)
7	1	STM4050	Brandstoffilter opvoerpomp	Fuel filter fuel lift pump
8	1	08-01308	Luchtfilterelement	Air cleaner element
9	1	STM9547	Service kit pos 3 t.e.m. 8	Service kit pos 3 up to 8
10	1	STM0056	Spuitbus verf geel	Spray can paint yellow



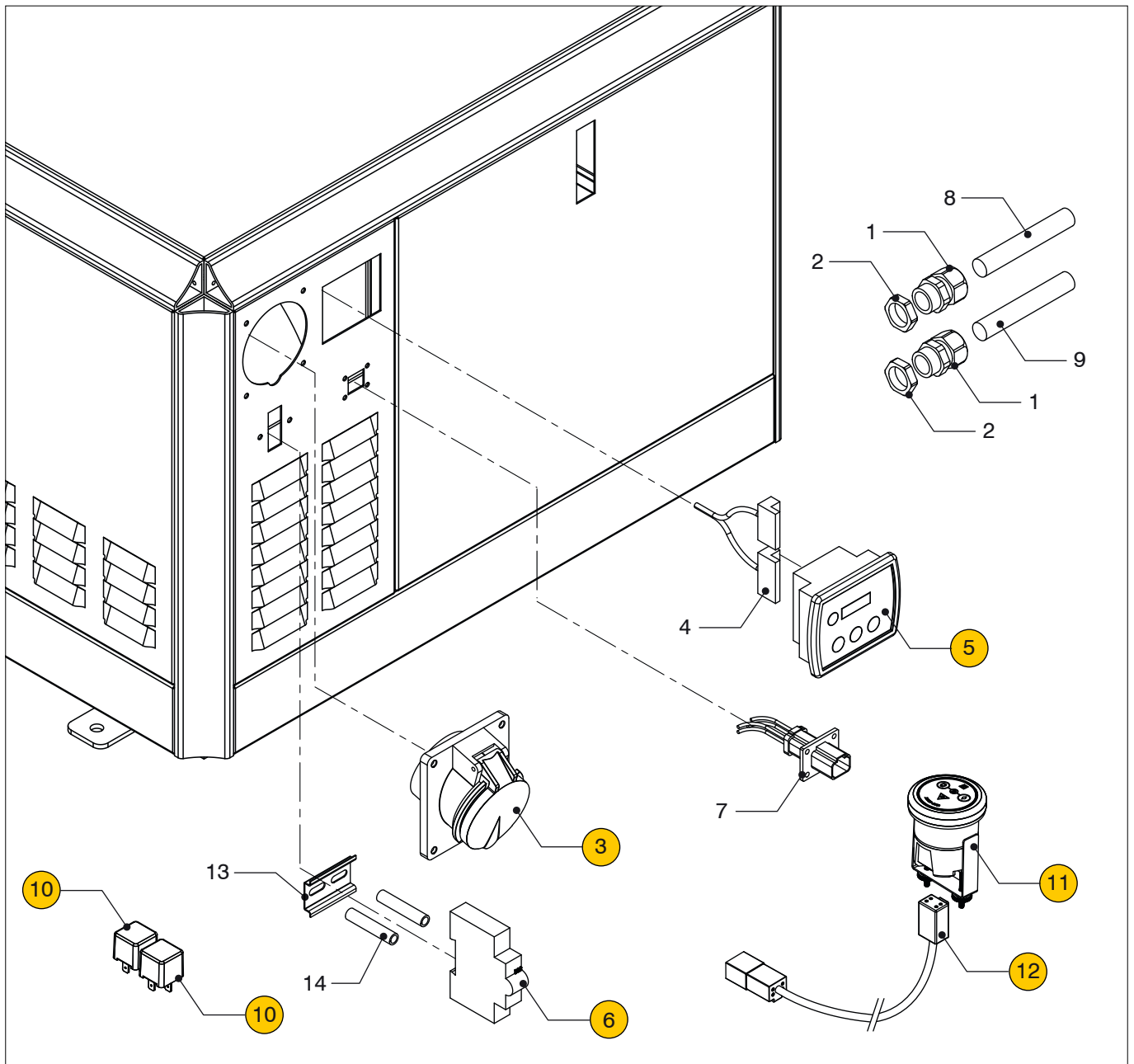
GLX14SIC

GLX14TIC

Serviceonderdelen

Service parts

pos.	qty	part	benaming	description
1	5	08-01420	Steekzekering ATO 20A	ATO fuse 20A
2	2	STM6113	O-ring Warmtewisselaar 61x2,5	O-ring Heat exchanger 61x2.5
3	1	STM3690	Brandstoffilter	Fuel filter
4	1	STM8076	Impeller + pakkingen	Impeller + gaskets
5		STM0051	Oliefilter	Oil filter
6	1	STM4050	Brandstoffilter opvoerpomp	Fuel filter fuel lift pump
7	1	08-01308	Luchtfilterelement	Air cleaner element
8	1	STM9548	Service kit pos 3 t.e.m. 7 + 9 (STM9857)	Service kit pos 3 up to 7 + 9 (STM9857)
9	1	STM9857	V-snaar 75 A dynamo	V-belt 75 A alternator
	1	STM9858	V-snaar 110 A dynamo	V-belt 110 A alternator
10	1	STM0056	Spuitbus verf geel	Spray can paint yellow

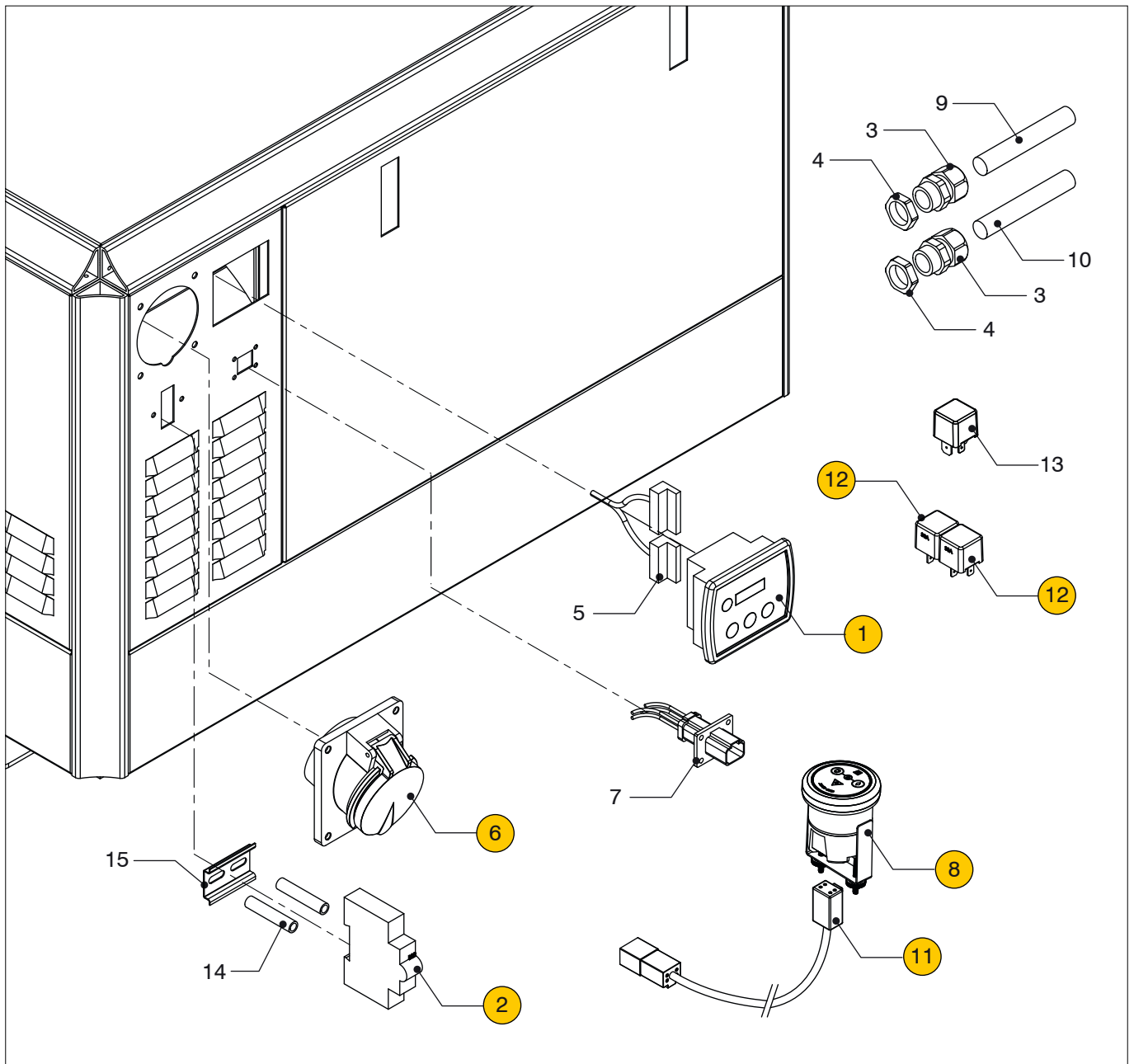


GHX8SIC

Bedrading en besturing

Wiring loom and controls

pos.	qty	part	benaming	description
1	2	15-1399	Kabel wartel Pg16	Cable gland Pg16
2	2	15-1400	Moer Pg16	Nut Pg16
3	1	14-9443	CEE contact 32A	CEE socket 32A
4	1	14-8120	Draadboom	Wire Harness
5	1	14-8104	Motorpaneel 3110	Engine panel 3110
6	1	13-6440	Circuit breaker	Circuit breaker
7	1	16-4588	Stekker afstandsbediening	Connector for remote control panel
8	1	16-4655	Accu kabel 25mm ² (rood)	Battery cable 25mm ² (red)
9	1	16-4657	Accu kabel 25mm ² (zwart)	Battery cable 25mm ² (black)
10	2	STM9050	Relais 12VDC 40A	Relay 12VDC 40A
11	1	MPRGEN	Afstandsbediening	Remote control panel
12	1	16-6134	Verlengkabel 8m	Extension cable 8m
13	1	14-9432	Din rail L=100mm	Din rail L=100mm
14	1	16-4957	Afstandsbus	Spacer bush

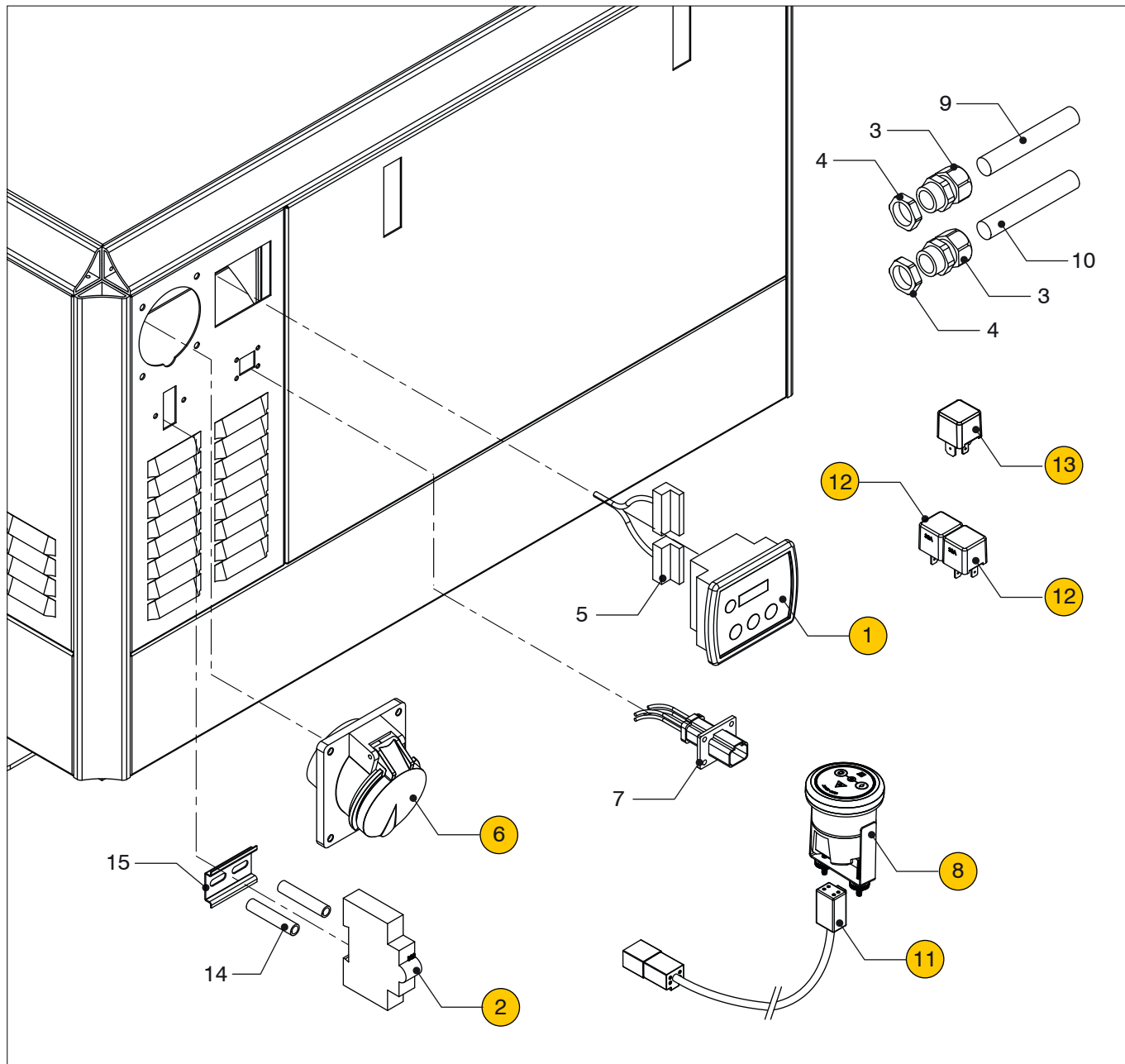


GHX14SIC

Bedrading en besturing

Wiring loom and controls

pos.	qty	part	benaming	description
1	1	14-8104	Motorpaneel 3110	Engine panel 3110
2	1	16-4024	Circuit breaker	Circuit breaker
3	2	15-1399	Kabel wartel Pg16	Cable gland Pg16
4	2	15-1400	Moer Pg16	Nut Pg16
5	1	14-9077	Draadboom	Wire Harness
6	1	16-3640	CEE contact 63A 230v	CEE socket 63A 230v
7	1	16-4588	Stekker afstandsbediening	Connector for remote control panel
8	1	MPRGEN	Afstandsbediening	Remote control panel
9	1	16-4655	Accu kabel 25mm ² (rood)	Battery cable 25mm ² (red)
10	1	16-4657	Accu kabel 25mm ² (zwart)	Battery cable 25mm ² (black)
11	1	16-6099	Verlengkabel 6m	Extension cable 6m
12	1	STM9050	Relais 12V 30-40A	Relay 12V 30-40A
13	1	STM9043	Relais 12V 70 A	Relay 12V 70 A
14	1	16-4957	Afstandsbus	Spacer bush
15	1	14-9432	Din rail L=100mm	Din rail L=100mm

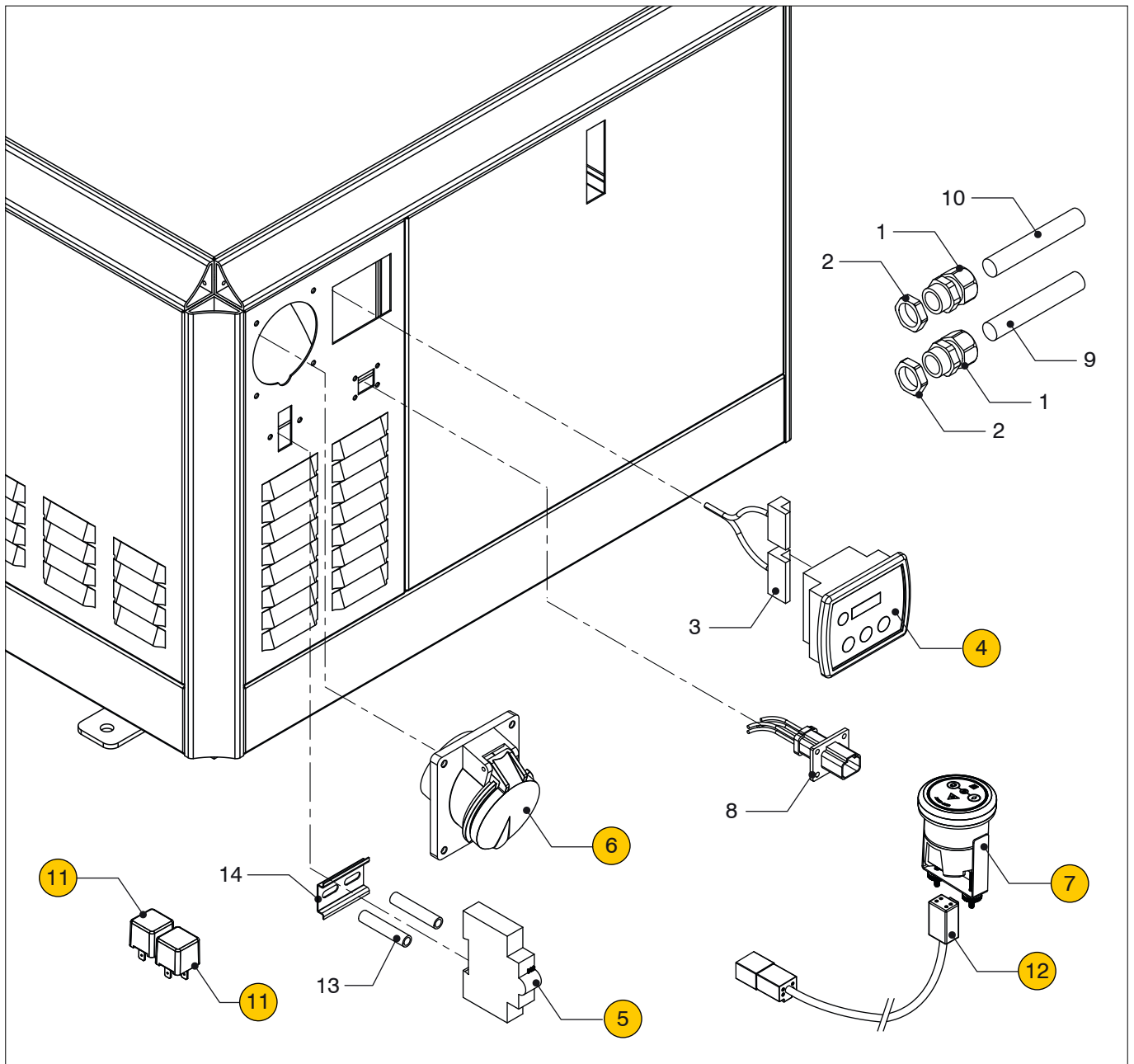


GLX14SIC

Bedrading en besturing

Wiring loom and controls

pos.	qty	part	benaming	description
1	1	14-8104	Motorpaneel 3110	Engine panel 3110
2	1	16-4024	Circuit breaker	Circuit breaker
3	2	15-1399	Kabel wartel Pg16	Cable gland Pg16
4	2	15-1400	Moer Pg16	Nut Pg16
5	1	14-9077	Draadboom	Wire Harness
6	1	16-3640	CEE contact 63A 230v	CEE socket 63A 230v
7	1	16-4588	Stekker afstandsbediening	Connector for remote control panel
8	1	MPRGEN	Afstandsbediening	Remote control panel
9	1	16-4655	Accu kabel 25mm ² (rood)	Battery cable 25mm ² (red)
10	1	16-4657	Accu kabel 25mm ² (zwart)	Battery cable 25mm ² (black)
11	1	16-6099	Verlengkabel 6m	Extension cable 6m
12	1	STM9050	Relais 12V 30-40A	Relay 12V 30-40A
13	1	STM9043	Relais 12V 70 A	Relay 12V 70 A
14	1	16-4957	Afstandsbus	Spacer bush
15	1	14-9432	Din rail L=100mm	Din rail L=100mm



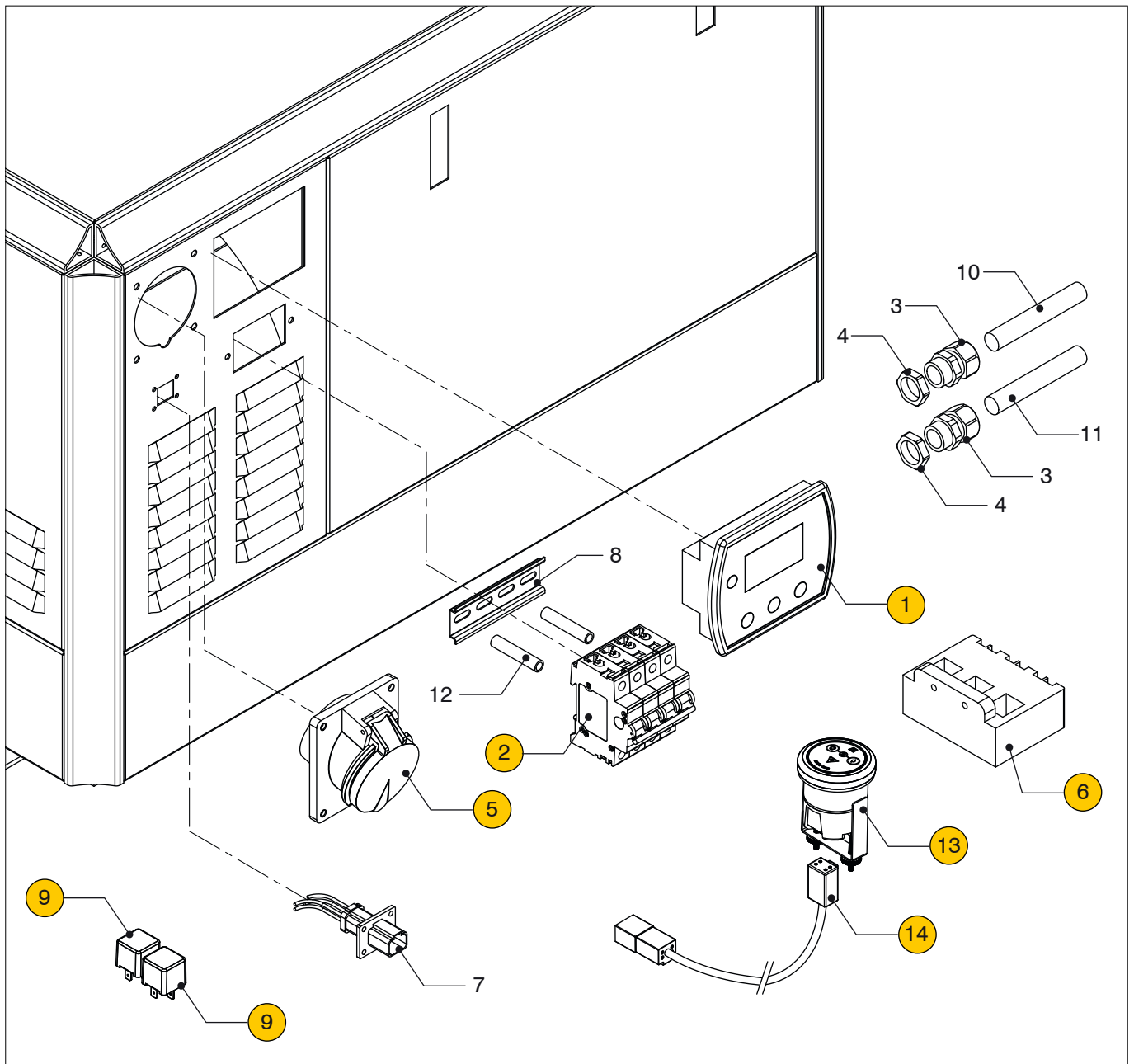
GLX6SIC

GLX7SIC

Bedrading en besturing

Wiring loom and controls

pos.	qty	part	benaming	description
1	2	15-1399	Kabel wartel Pg16	Cable gland Pg16
2	2	15-1400	Moer Pg16	Nut Pg16
3	1	14-8120	Draadboom	Wire Harness
4	1	14-8104	Motorpaneel 3110	Engine panel 3110
5	1	14-9453	Circuit breaker	Circuit breaker
6	1	14-9443	CEE contact 32A	CEE socket 32A
7	1	MPRGEN	Afstandsbediening	Remote control panel
8	1	16-4588	Stekker afstandsbediening	Connector for remote control panel
9	1	16-4655	Accu kabel 25mm ² (rood)	Battery cable 25mm ² (red)
10	1	16-4657	Accu kabel 25mm ² (zwart)	Battery cable 25mm ² (black)
11	1	STM9050	Relais 12V 30-40A	Relay 12V 30-40A
12	1	16-6099	Verlengkabel 6m	Extension cable 6m.
13	1	16-4957	Afstandsbus	Spacer bush
14	1	14-9432	Din rail L=100mm	Din rail L=100mm

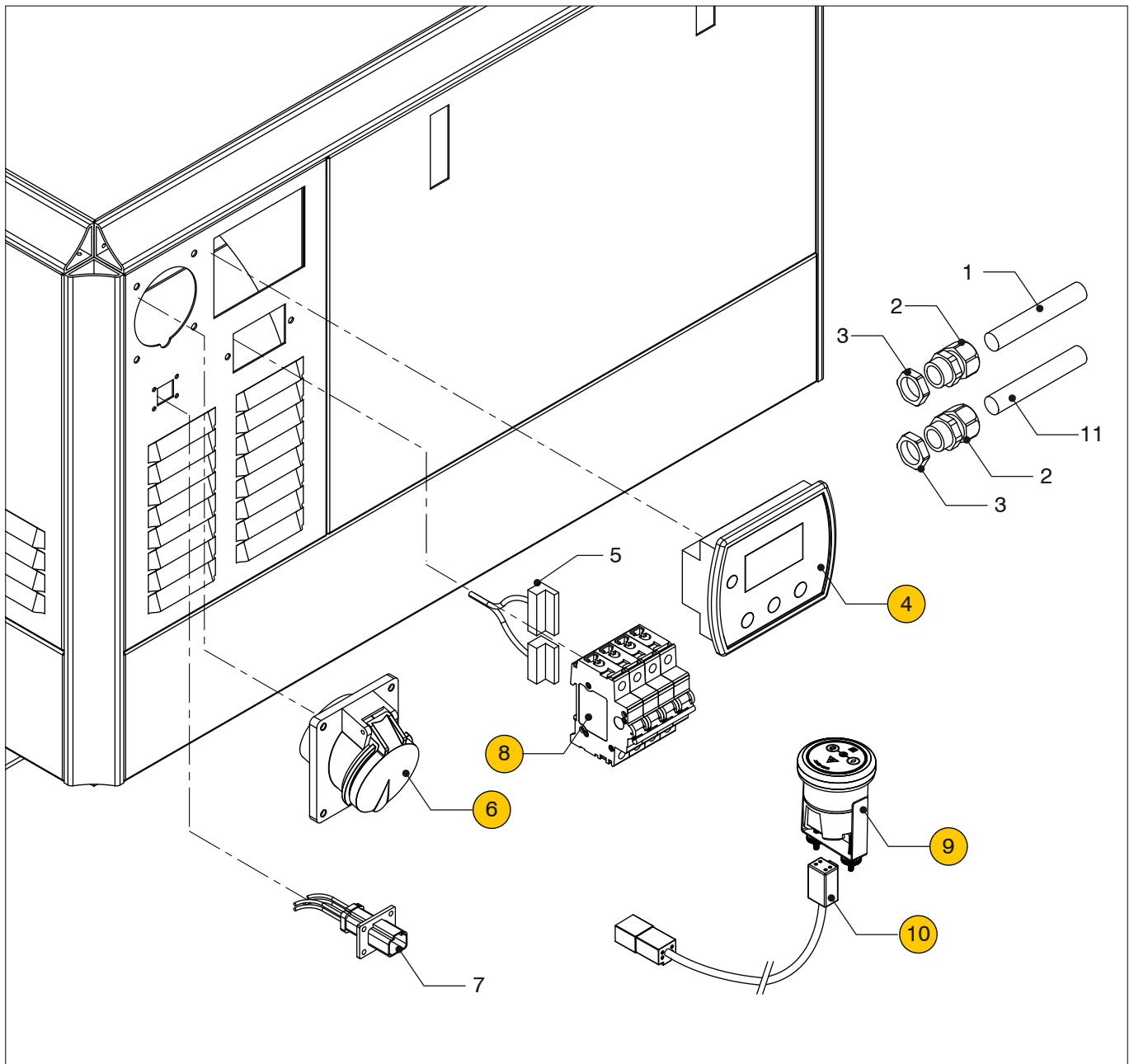


GHX14TIC

Bedrading en besturing

Wiring loom and controls

pos.	qty	part	benaming	description
1	1	14-9248	Motorpaneel	Engine panel
2	1	14-8119	Circuit breaker 25A	Circuit breaker 25A
3	2	15-1399	Kabel wartel Pg16	Cable gland Pg16
4	2	15-1400	Moer Pg16	Nut Pg16
5	1	14-9241	CEE contact 32A 400V	CEE socket 32A 400V
6	1	16-4803	Stroomtransformator	Current transformer
7	1	16-4588	Stekker afstandsbediening	Connector for remote control panel
8	1	14-9432	Din rail L=100mm	Din rail L=100mm
9	2	STM9050	Relais 12V 30-40A	Relay 12V 30-40A
10	1	16-4655	Accu kabel 25mm ² (rood)	Battery cable 25mm ² (red)
11	1	16-4657	Accu kabel 25mm ² (zwart)	Battery cable 25mm ² (black)
12	1	16-4957	Afstandsbus	Spacer bush
13	1	MPRGEN	Afstandsbediening	Remote control panel
14	1	16-6099	Verlengkabel 6m	Extension cable 6m.

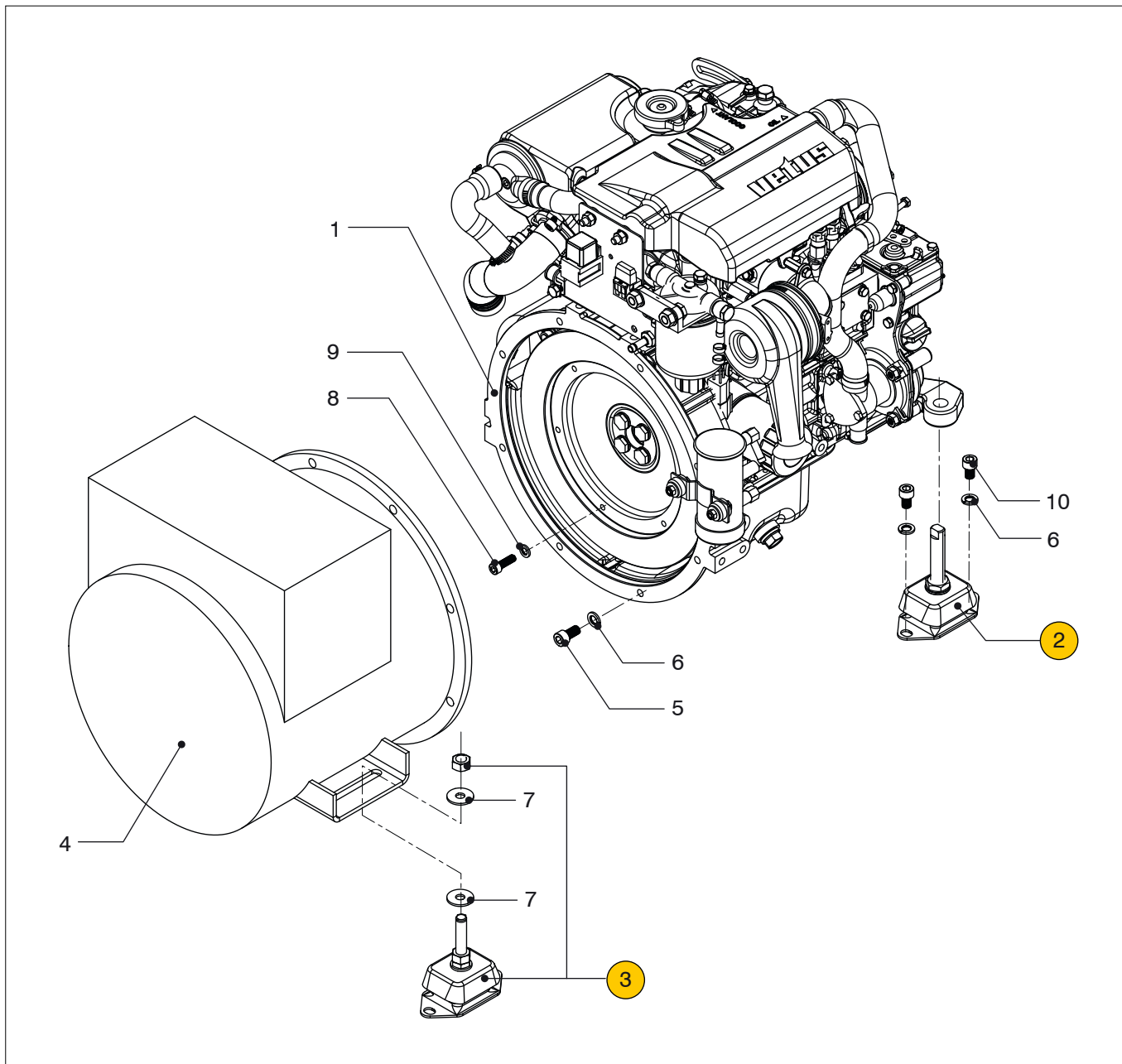


GLX14TIC

Bedrading en besturing

Wiring loom and controls

pos.	qty	part	benaming	description
1	1	16-4655	Accu kabel 25mm ² (rood)	Battery cable 25mm ² (red)
2	2	15-1399	Kabel wartel	Cable gland Pg16
3	2	15-1400	Moer Pg16	Nut Pg16
4	1	14-9248	Motorpaneel	Engine panel
5	1	17-7832	Draadboom 3fase	Wire Harness 3fase
6	1	14-9241	CEE contact 32A 400V	CEE socket 32A 400V
7	1	16-4588	Stekker afstandsbediening	Connector for remote control panel
8	1	14-8119	Circuit breaker	Circuit breaker 25A
9	1	14-9283	Afstandsbediening	Remote control panel
10	1	16-6099	Verlengkabel 6m.	Extension cable 6m.
11	1	16-4657	Accu kabel 25mm ² (zwart)	Battery cable 25mm ² (black)

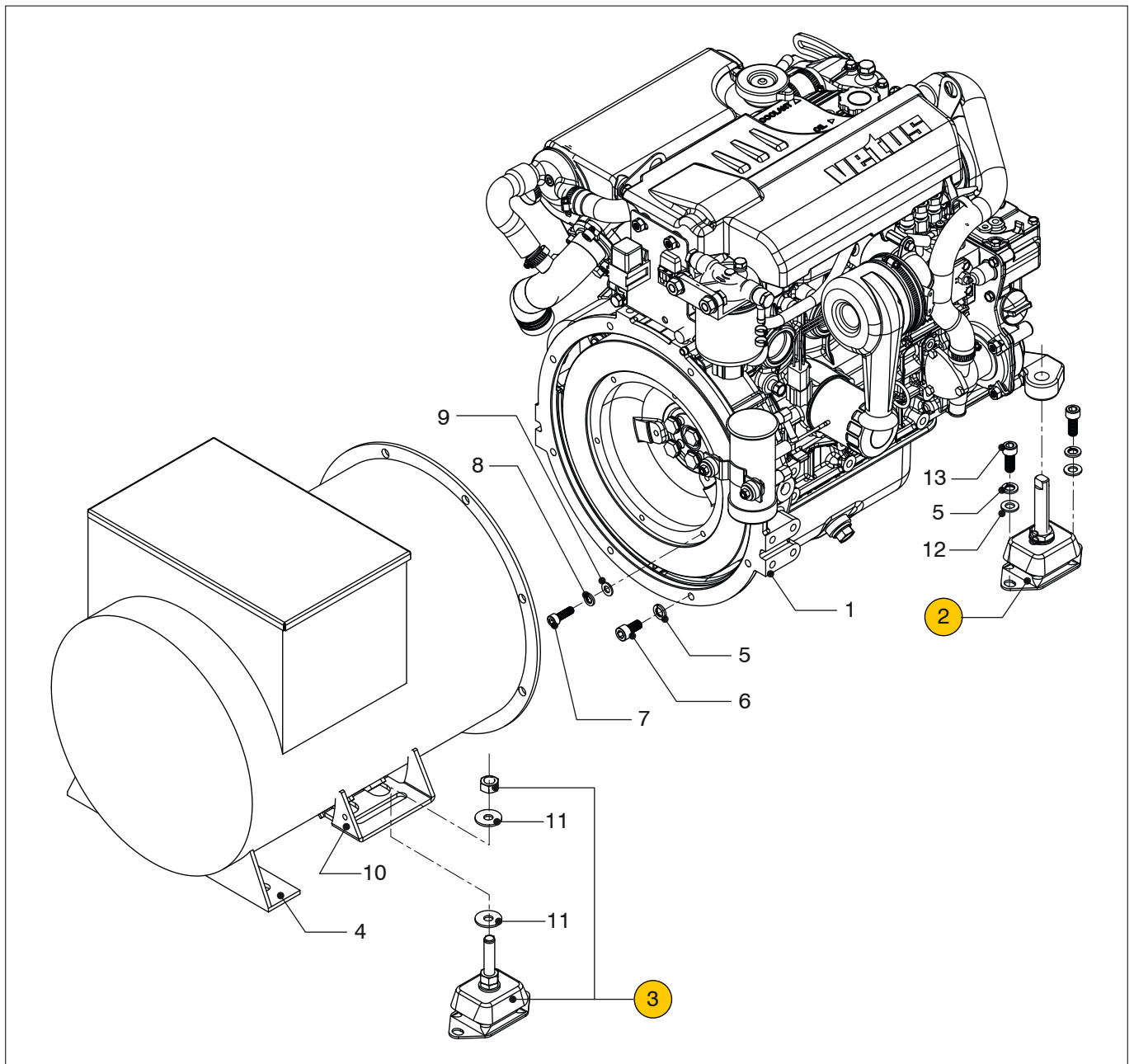


GHX8SIC

Generator + Motor

Generator + Engine

pos.	qty	part	benaming	description
1	1	218GEN	M2 Motor, Generator Spec.	M2 Engine Generator spec.
2	2	KGEN5016	Generator support M16	Generator mount M16
3	2	K5012V	Generator support M12	Generator mount M12
4	1	SK160CA2	Generator 9 kVA 1-fase	Generator 9 kVA single phase
5	8	15-1700	Inbusbout M10x1.25x20	Socket head cap screw M10x1.25x20
6	10	R104R	Veerring	Spring lock washer
7	4	R102R4	Ring M10 3D	Plain washer M10 3D
8	6	B08257R4	Inbusbout M8x25	Socket head cap screw M8x25
9	6	R084R4	Veerring M8	Spring lock washer M8
10	4	B10167R	Inbusbout M10x16	Socket head cap screw M10x16

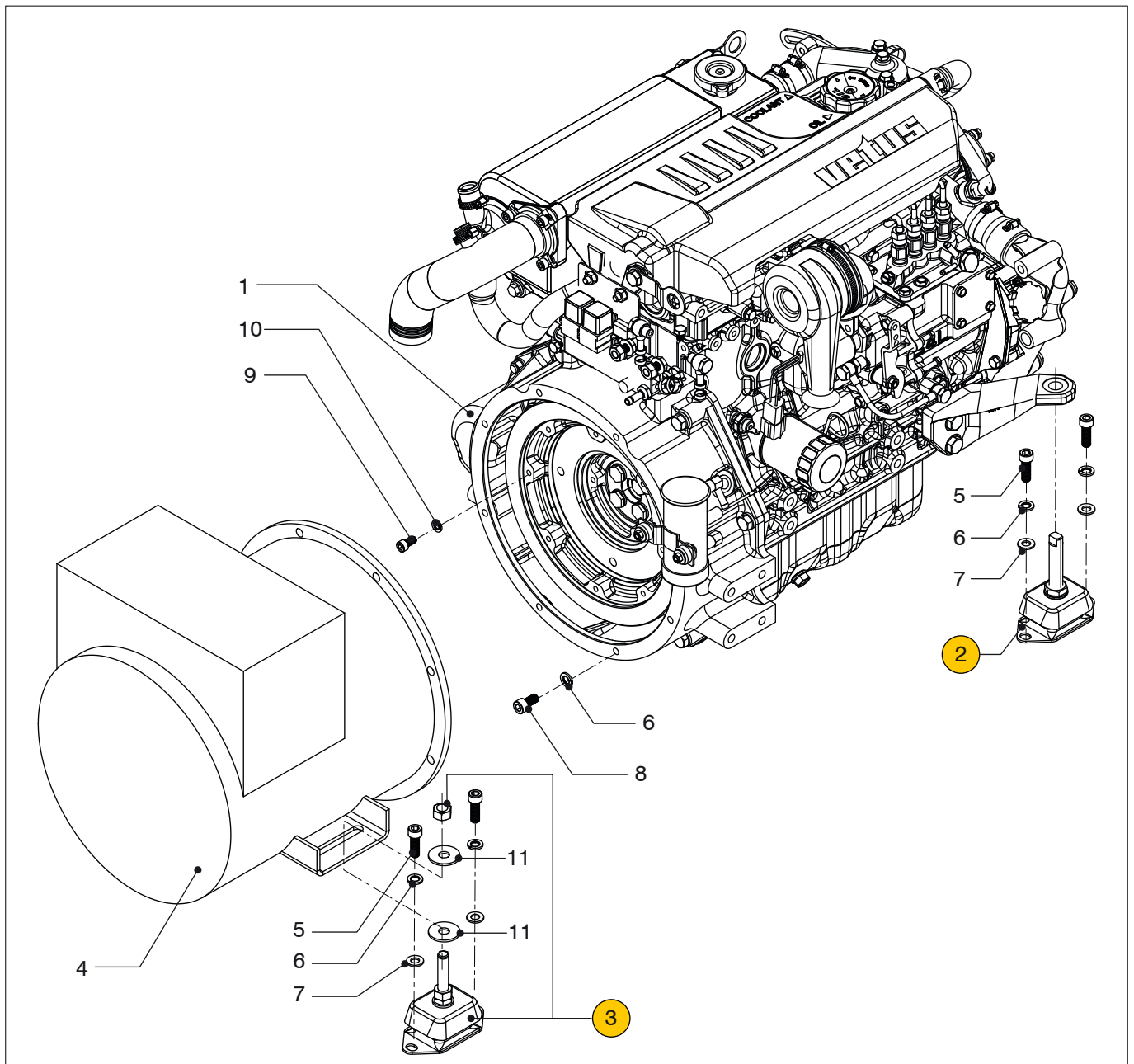


GHX145IC

Generator + Motor

Generator + Engine

pos.	qty	part	benaming	description
1	1	329HGEN	M3 Motor, Generator Spec.	M3 Engine Generator spec.
2	2	KSTEUN75V	Motorsteun	Engine mount
3	2	K5012V	Generator steun M12	Generator mount M12
4	1	SK-160 LA 2	Generator 16,8 kVA 1-fase	Generator 16.8 kVA single phase
5	13	R104R4	Veerring M10 3D	Spring lock washer M10 3D
6	8	15-1700	Inbusbout M10x1.25x20	Socket head cap screw M10x1.25x20
7	6	91292A207	Inbusbout	Socket head cap screw
8	6	R084R4	Veerring M8	Spring lock washer M8
9	6	R081R4	Ring M8	Plain washer M8
10	2	16-4843	Voetsteun	Damper bracket
11	2	95211A200	Ring M12 3D	Plain washer M12 3D
12	5	R101R4	Ring M10	Plain washer M10
13	5	91292A158	Inbusbout M10	Socket head cap screw M10

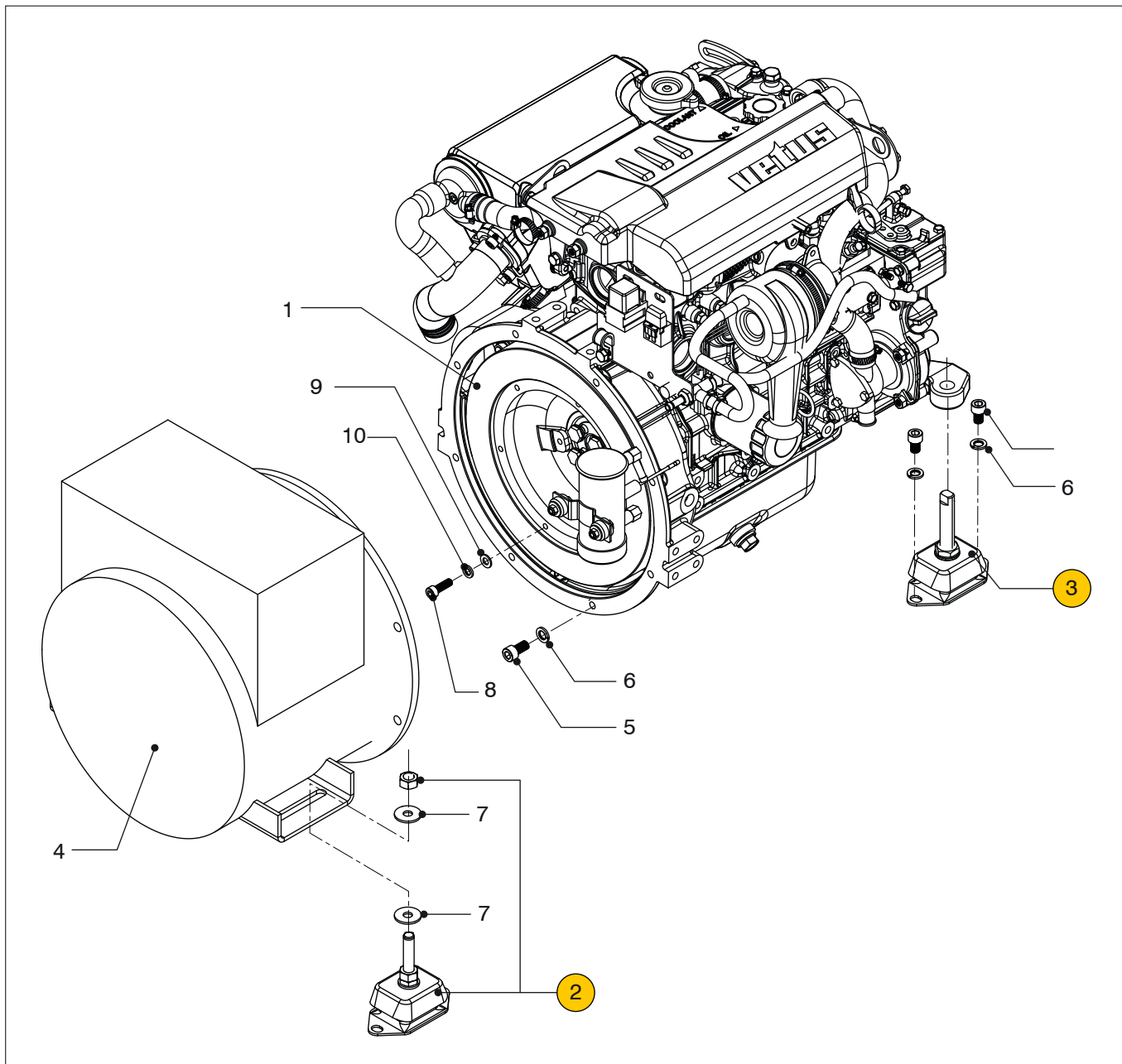


GLX14SIC

Generator + Motor

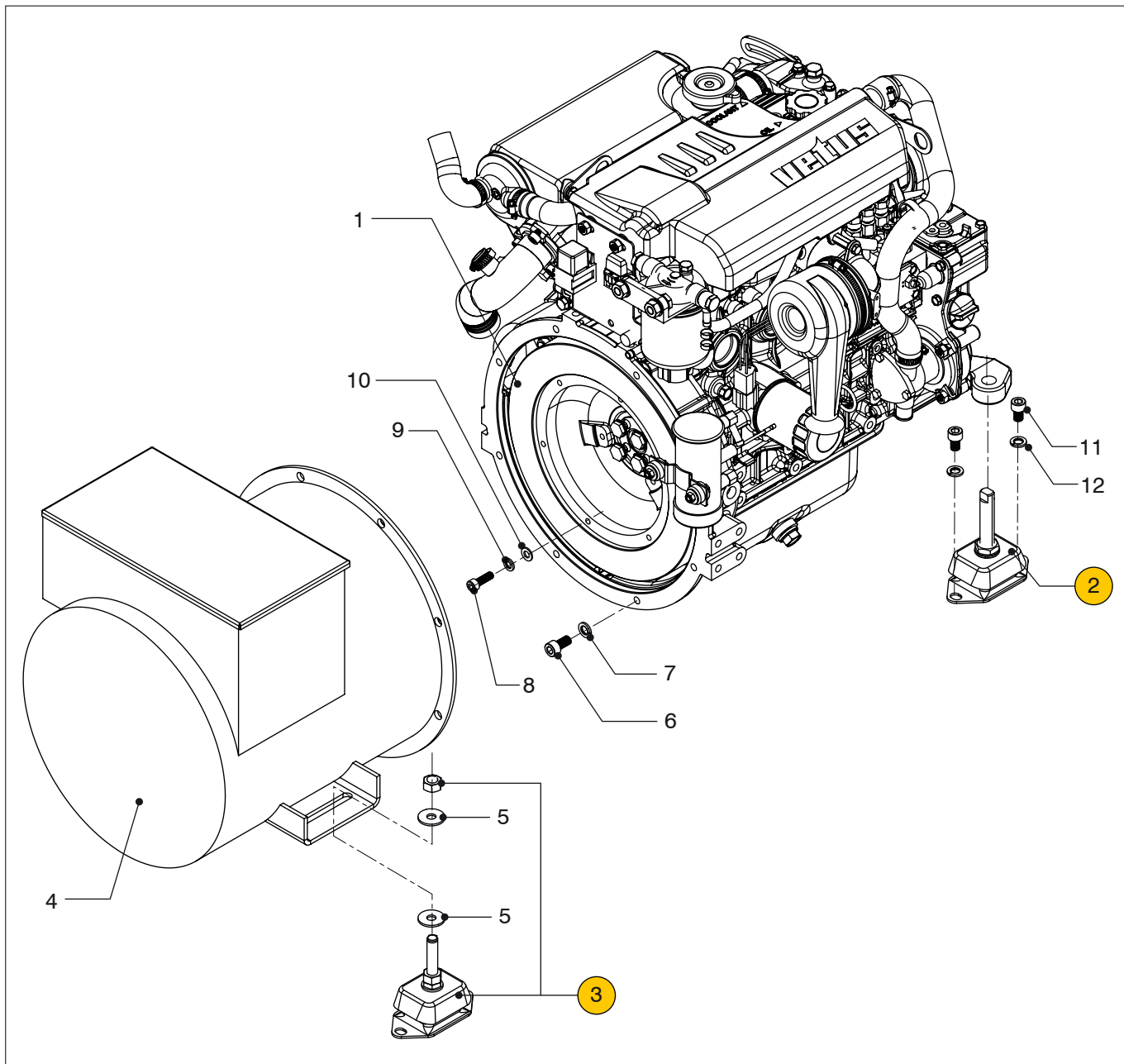
Generator + Engine

pos.	qty	part	benaming	description
1	1	455LGEN	M4 Motor, Generator Spec.	M4 Engine Generator spec.
2	2	KGEN5016	Generator steun M16	Generator mount M16
3	2	K5012V	Generator steun M12	Generator mount M12
4	1	SK160MA1	Generator 16,5 kVA 1-fase	Generator 16.5 kVA single phase
5	9	B10307R	Inbusbout	Socket head cap screw
6	17	R104R	Veerring	Spring lock washer
7	8	R101R4	Ring	Plain washer
8	8	15-1700	Inbusbout M10x1.25x20	Socket head cap screw M10x1.25x20
9	8	B08167R4	Inbusbout	Socket head cap screw
10	8	R084R	Veerring	Spring lock washer
11	4	R122R	Ring 3D	Plain washer 3D



GLX6SIC	GLX7SIC	Generator + Motor	Generator + Engine
---------	---------	-------------------	--------------------

pos.	qty	part	benaming	description
1	1	329LGEN	M3 Motor, Generator Spec.	M3 Engine Generator spec.
2	1	K5012V	Generator support M12	Generator mount M12
3	1	KGEN5016	Generator support M16	Generator mount M16
4	1	SK160SA1	Generator 7 kVA 1-fase	Generator 7 kVA single phase
5	8	15-1700	Inbusbout M10x1.25x20	Socket head cap screw M10x1.25x20
6	8	R104R	Veerring	Spring lock washer
7	2	R122R4	Ring M10 3D	Plain washer M10 3D
8	6	B08167R4	Inbusbout M8x25	Socket head cap screw M8x25
9	6	R081R4	Veerring M8	Spring lock washer M8
10	6	R084R4	Inbusbout M10x16	Socket head cap screw M10x16

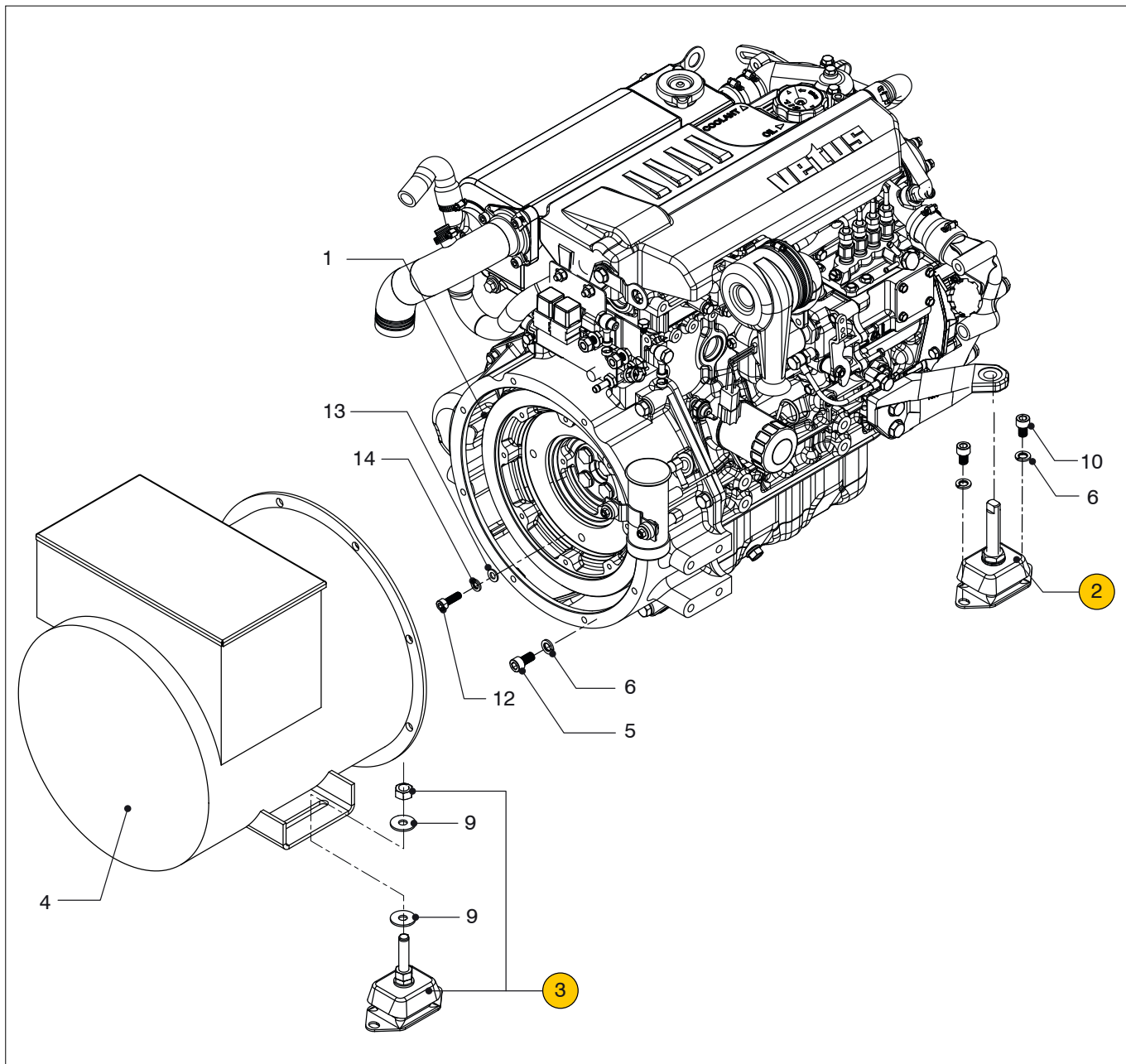


GHX14TIC

Generator + Motor

Generator + Engine

pos.	qty	part	benaming	description
1	1	329HGEN	M3 Motor, Generator Spec.	M3 Engine Generator spec.
2	2	KSTEUN75V	Generator support M16	Generator mount M16
3	2	K5012V	Generator support M12	Generator mount M12
4	1	SK160MA2	Generator 20 KVa 3-fase	Generator 20 KVa 3-fase
5	2	R122R4	Ring M10 3D	Spring lock washer
6	8	15-1700	Inbusbout M10x1.25x20	Socket head cap screw M10x1.25x20
7	8	R104R4	Ring M10 3D	Spring lock washer
8	6	B08257R4	Inbusbout M8x25	Socket head cap screw M8x25
9	6	R084R4	Veerring M8	Spring lock washer M8
10	6	R081R4	Inbusbout M10x16	Socket head cap screw M10x16
11	2	B10167R	Inbusbout	Socket head cap screw
12	2	R104R	Veerring	Spring lock washer

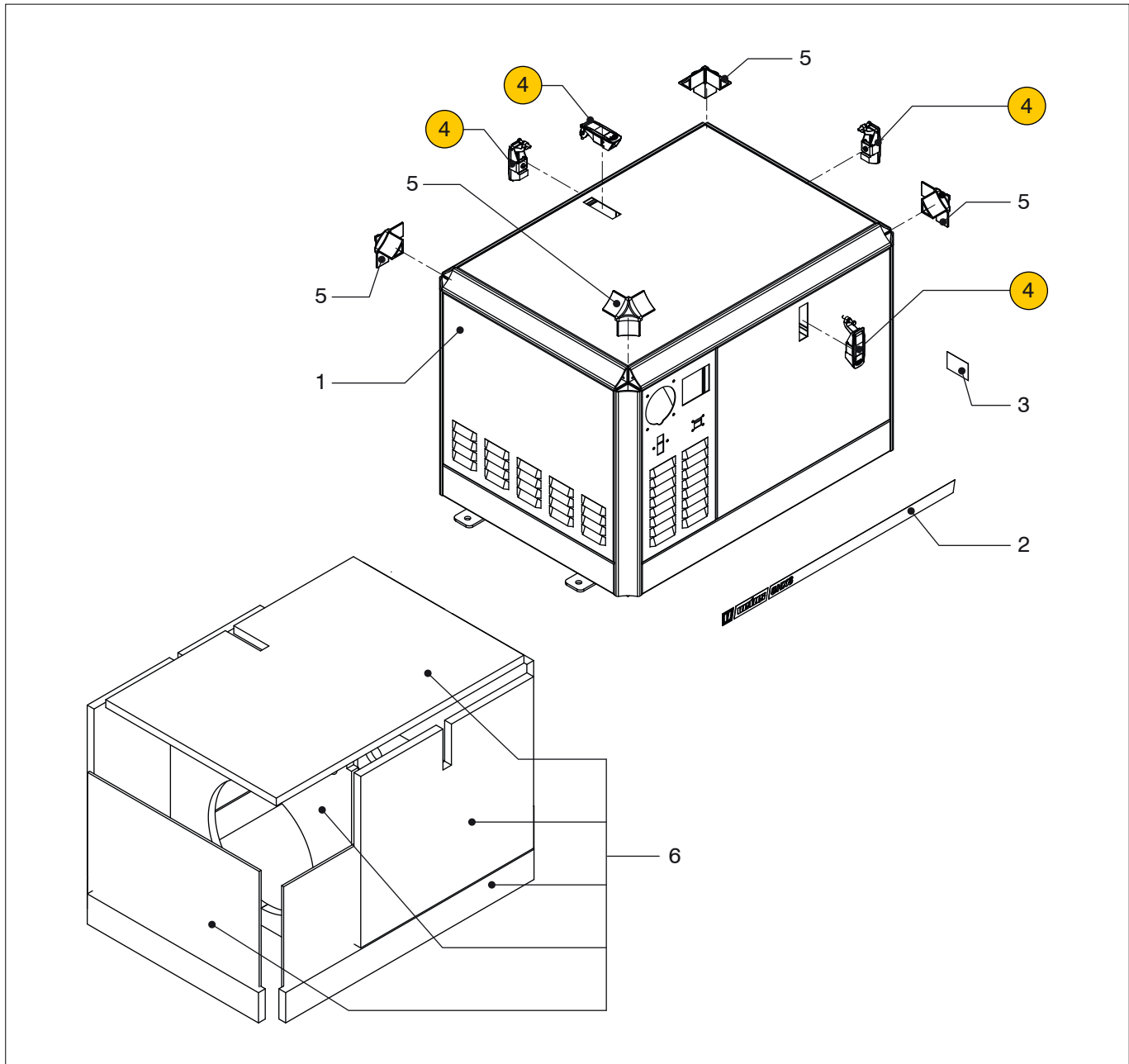


GLX14TIC

Generator + Motor

Generator + Engine

pos.	qty	part	benaming	description
1	1	455LGEN	M4 motor, Generator Spec.	M4 Engine Generator Spec.
2	2	KGEN5016	Generator support M16	Generator mount M16
3	2	K5012V	Generator support M12	Generator Mount M12
4	1	SK160MA4	Generator 17,5 KVa 3 fase	Generator 17,5 KVa 3 fase
5	1	15-1700	Inbusbout M10x1.25x20	Socket head cap screw M10x1.25x20
6	7	R104R	Ring	Spring lock washer
9	2	R122R4	Ring 3D	Spring lock washer 3D
10	6	B10307R	Inbusbout	Socket head cap screw
12	8	B08257R	Inbusbout	Socket head cap screw
13	8	R081R	Plain washer	Plain washer
14	8	R084R	Ring	Spring lock washer

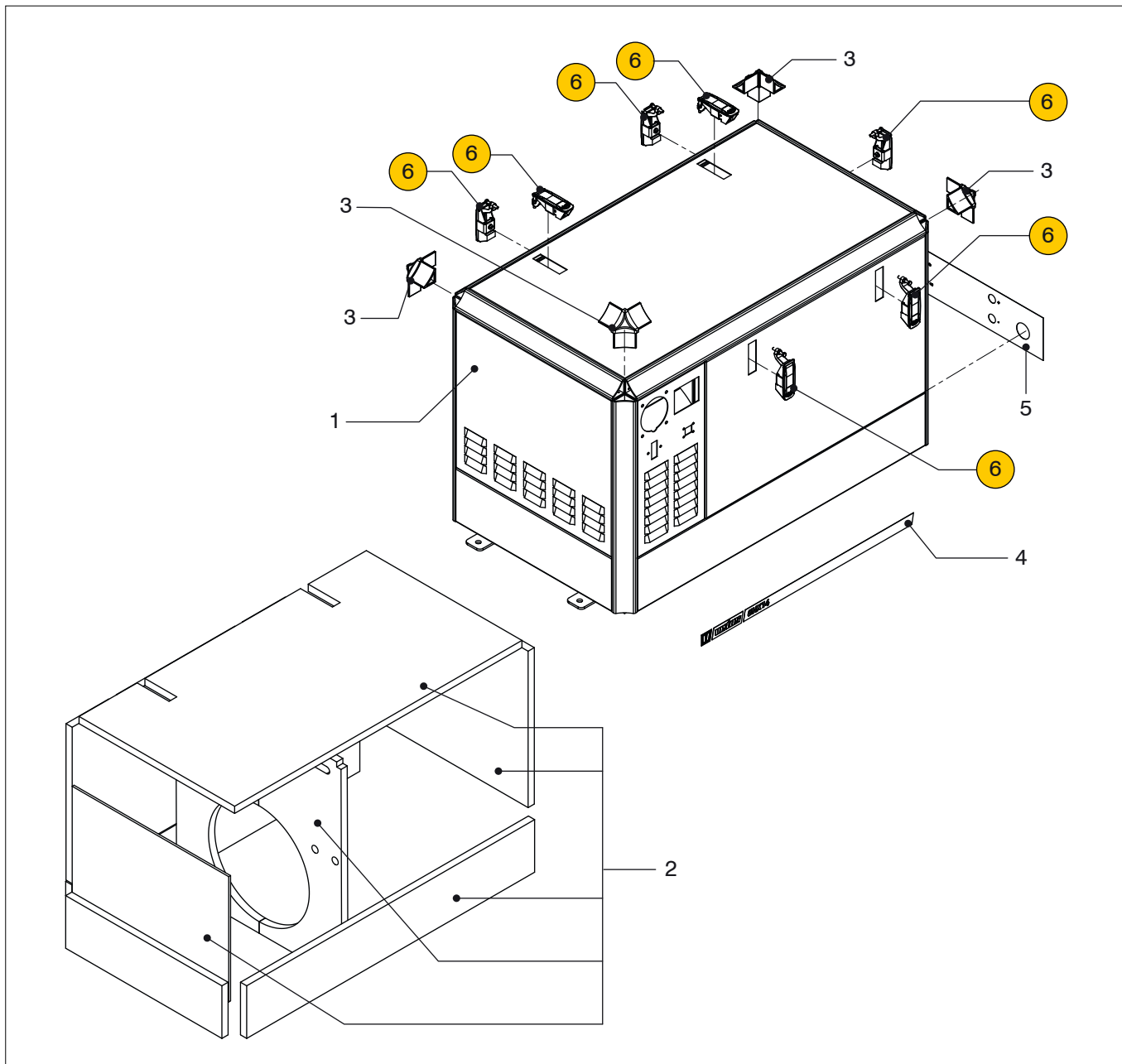


GHX8SIC

Behuizing en isolatie

Canopy and insulation

pos.	qty	part	benaming	description
1	1	15-1287	Behuizing, compleet	Housing, complete
2	1	15-1420	Sticker GHX8	Label GHX8
3	1	14-9450	Sticker, 'Waarschuwingssymbolen'	Label, 'Warning symbols'
4	4	14-7846	Slot	Lock
5	4	12-4585	Koppeling 3-weg	Coupling 3-way
6	1	16-3873	Isolatieset	Insulation set

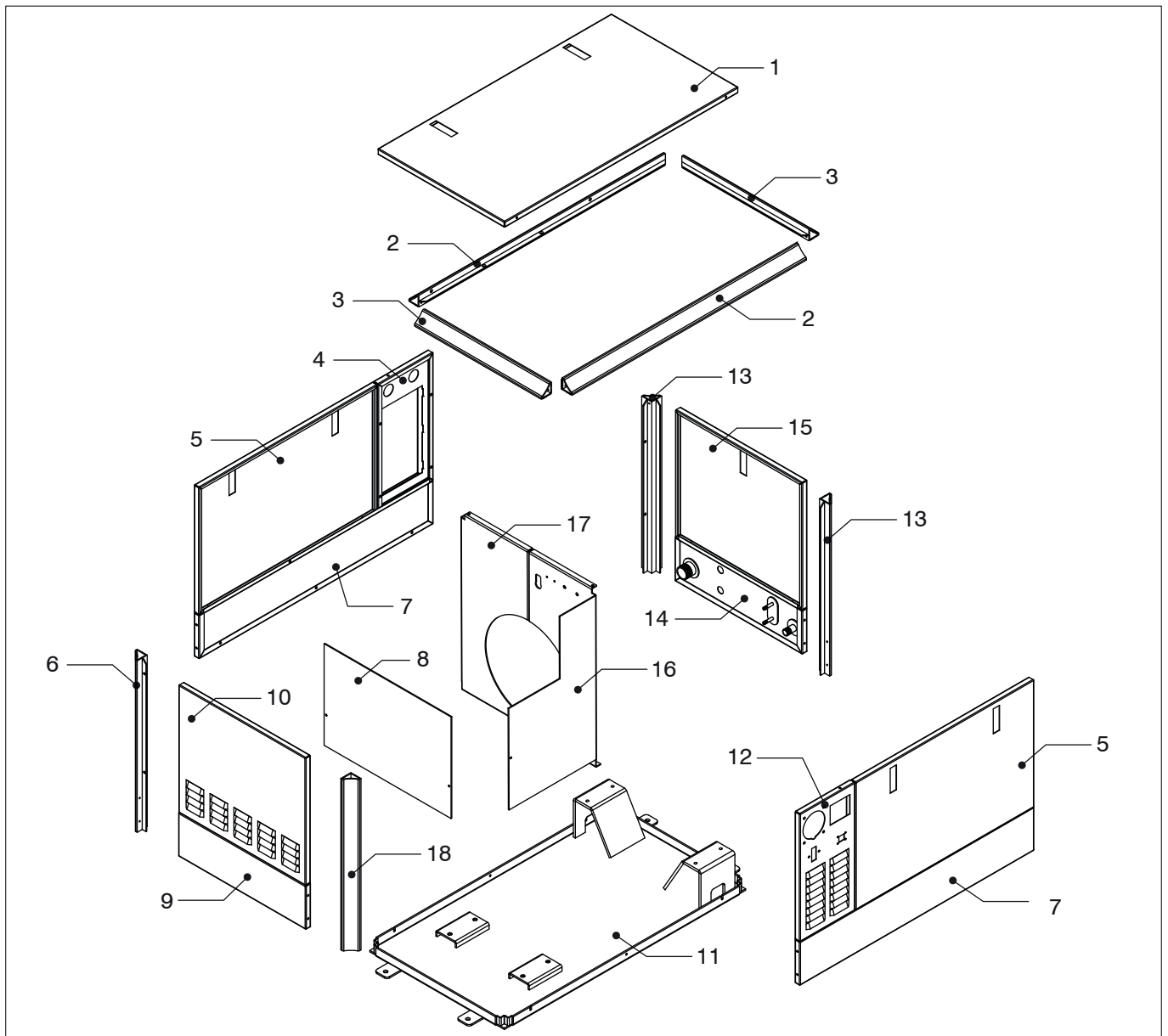


GHX14SIC

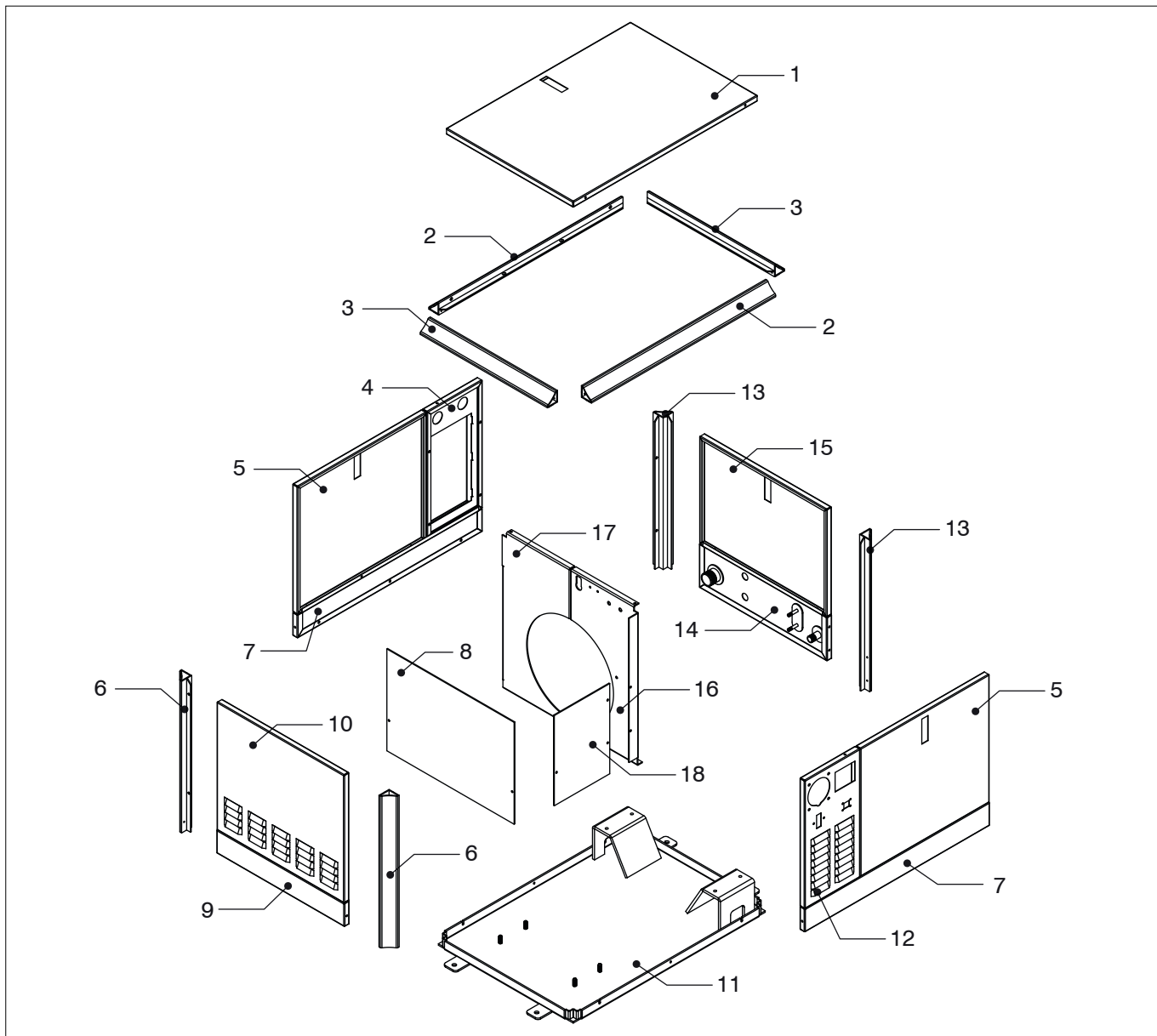
Behuizing en isolatie

Canopy and insulation

pos.	qty	part	benaming	description
1	1	15-0151	Behuizing, compleet	Housing, complete
2	1	16-3856	Isolatieset	Insulation set
3	4	12-4585	Koppeling 3-weg	Coupling 3-way
4	2	14-9082	Sticker GHX14	Label GHX14
5	1	14-9450	Sticker, 'Waarschuwingssymbolen'	Label, 'Warning symbols'
6	7	14-7846	Slot	Lock


GHX14SIC
Behuizing
Canopy

pos.	qty	part	benaming	description
1	1	14-9069	Bovenpaneel	Top panel
2	2	14-9066	Profiel L=932	Profile L=932
3	2	14-9065	Profiel L=507	Profile L=507
4	1	16-3227	Luchtuitlaat paneel	Air outlet panel
5	2	14-9067	Zijpaneel	Side cover
6	2	14-9063	Zijplint	Side panel
7	1	16-3216	Luchtafwerking	Air shield
8	1	14-8077	Profiel L=591 achterkant	Profile L=591 back
9	1	14-9074	Zijplint	Side panel
10	1	14-8354	Paneel achterkant	Back cover
11	1	14-9064	Profiel L=591 achterkant	Profile L=591 back
12	1	14-9075	Bodempaneel	Assembly bottom
13	1	14-8102	Ventilatiepaneel	Vent cover
14	2	14-8084	Profiel L=591	Profile L=591
15	1	14-9068	Paneel voorkant	Front cover
16	1	14-8363	Plint voorkant	Assy front cover
17	1	15-0147	Luchtafwerking	Air shield
18	1	15-0148	Luchtafwerking	Air shield

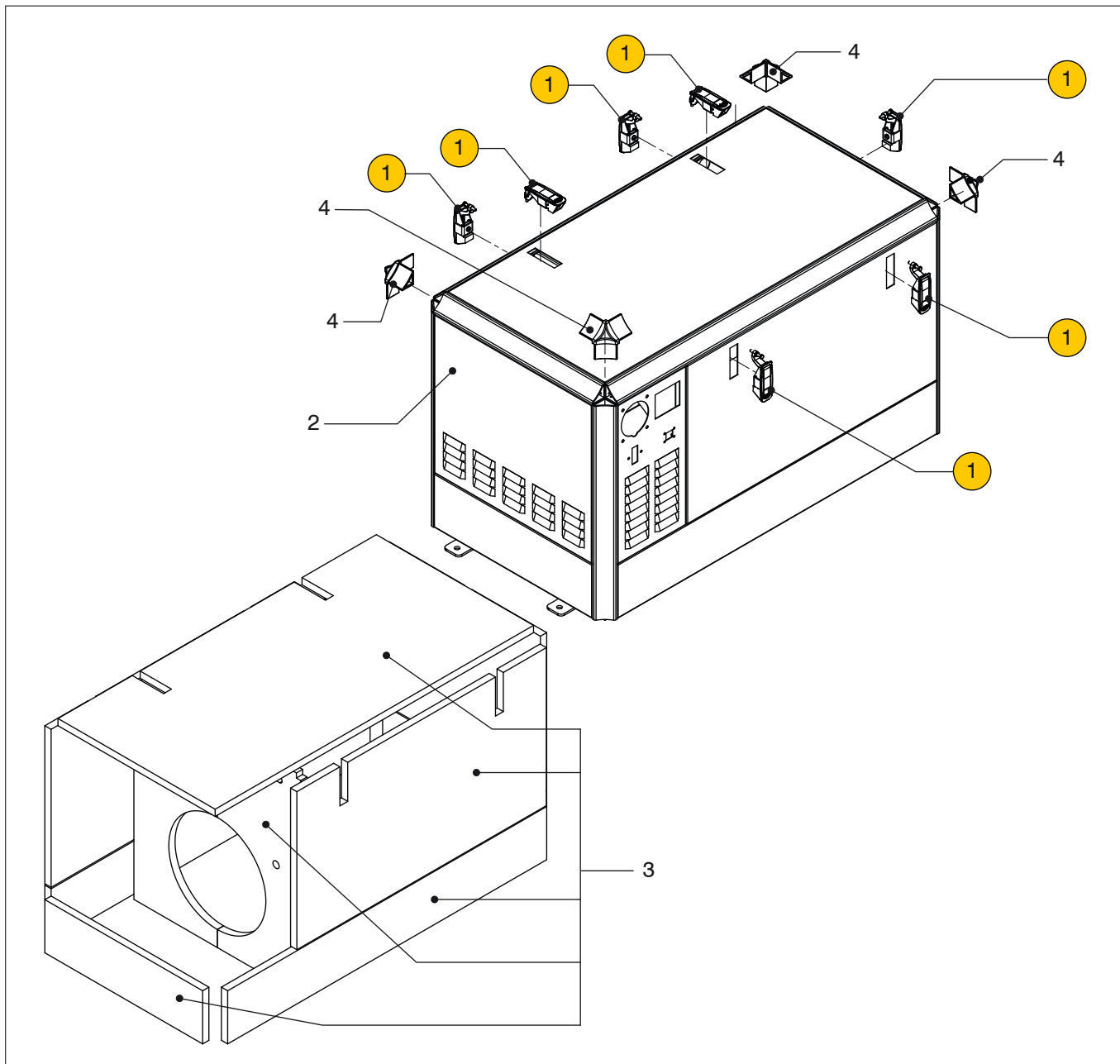


GHX8SIC

Behuizing

Canopy

pos.	qty	part	benaming	description
1	1	14-9430	Bovenpaneel	Top panel
2	2	14-9427	Profiel L=734	Profile L=734
3	2	14-9426	Profiel L=507	Profile L=507
4	1	16-3227	Luchtuitlaat paneel	Air outlet panel
5	2	14-9428	Zijpaneel	Side cover
6	2	14-9423	Profiel L=521 achterkant	Profile L=521 back
7	2	14-9424	Zijplint	Side panel
8	1	16-3216	Luchtafscherming	Air shield
9	1	14-9438	Zijplint	Side panel
10	1	14-8354	Paneel achterkant	Back cover
11	1	14-9439	Bodempaneel	Assembly bottom
12	1	14-8102	Ventilatiepaneel	Vent cover
13	2	14-9425	Profiel L=521	Profile L=521
14	1	14-8363	Plint voorkant	Assy front cover
15	1	14-9429	Paneel voorkant	Front cover
16	1	14-9434	Luchtafscherming	Air shield
17	1	14-9437	Luchtafscherming	Air shield
18	1	16-3235	Luchtafscherming	Air shield

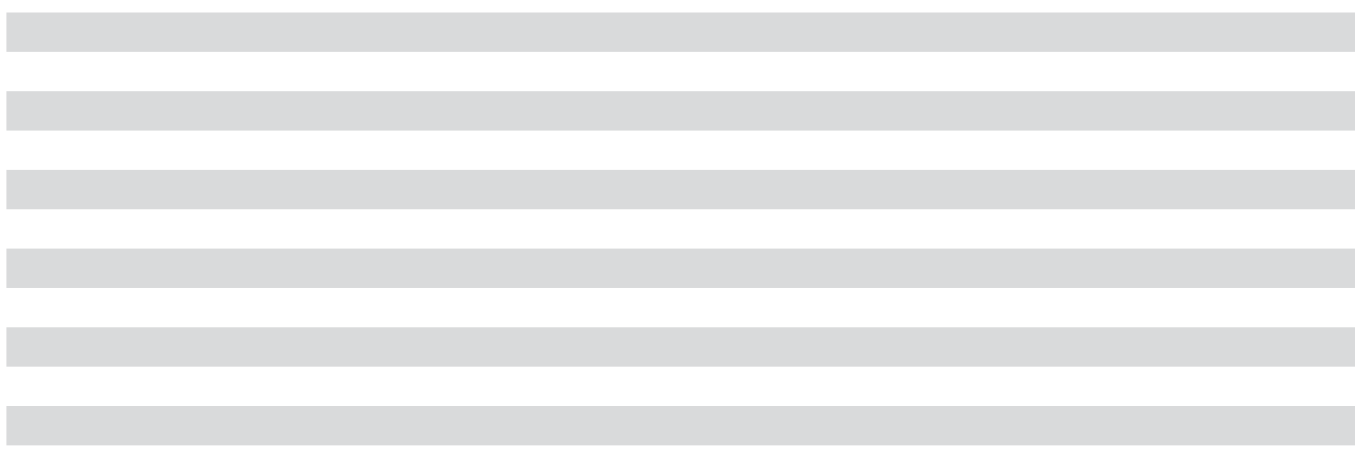


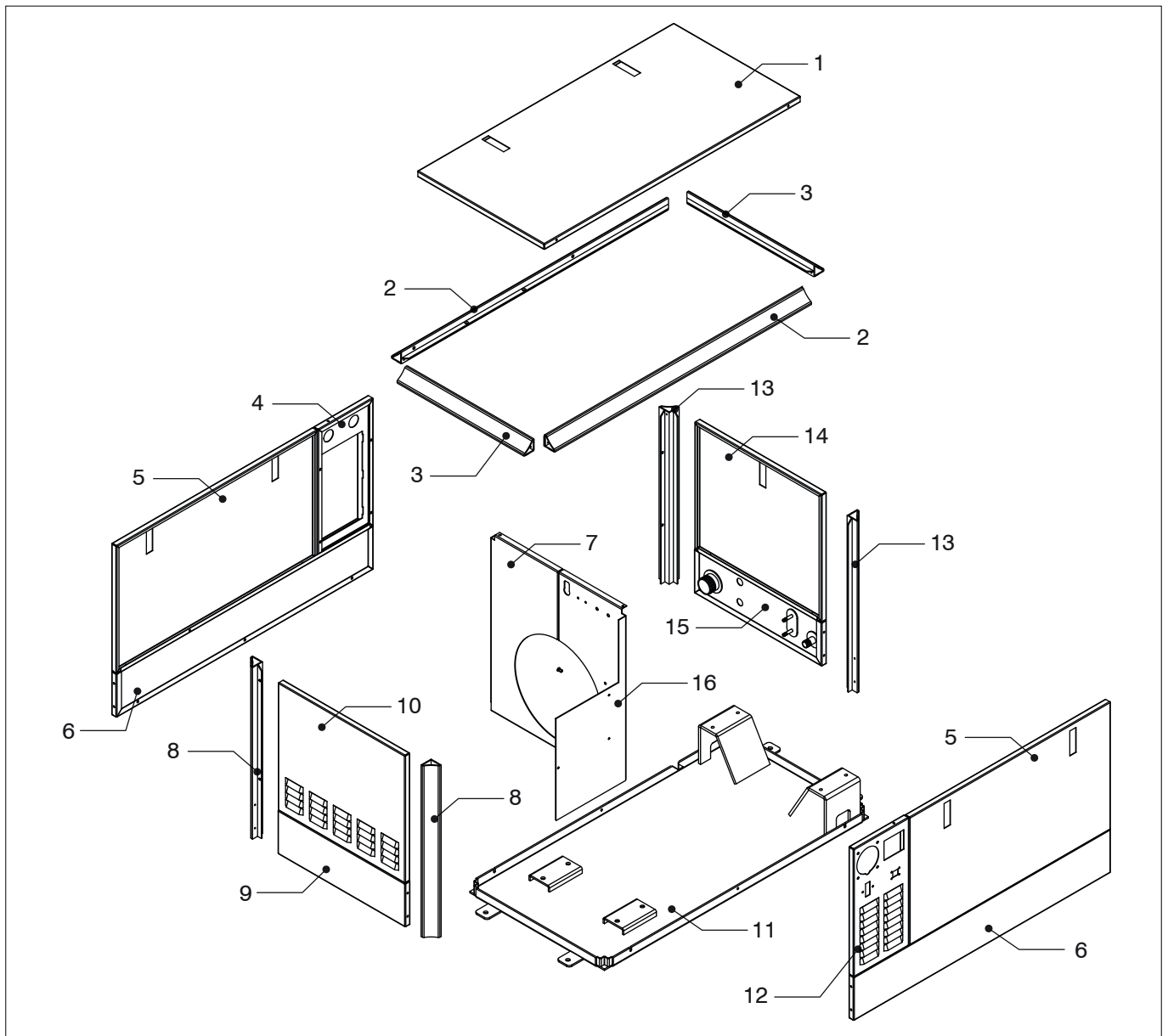
GLX14SIC

Behuizing en isolatie

Canopy and insulation

pos.	qty	part	benaming	description
1	7	14-7846	Slot	Lock
2	1	15-0806	Behuizing, compleet	Housing, complete
3	1	16-3874	Isolatieset	Insulation set
4	4	12-4585	Koppeling 3-weg	Coupling 3-way



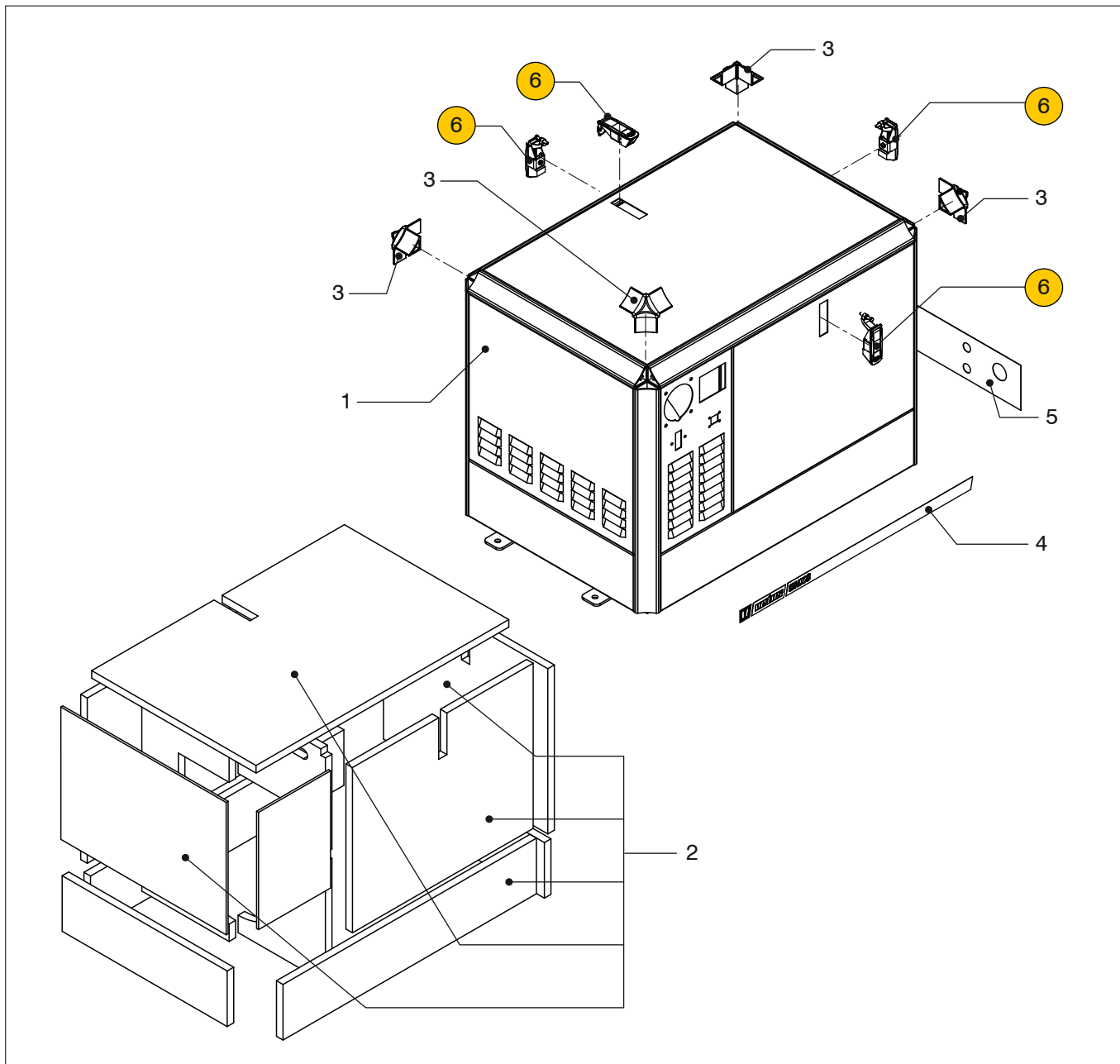


GLX14SIC

Behuizing

Canopy

pos.	qty	part	benaming	description
1	1	15-0822	Bovenpaneel	Top panel
2	2	15-0819	Profiel L=1092	Profile L=1092
3	2	14-9065	Profiel L=507	Profile L=507
4	1	14-9445	Luchtuitlaat paneel	Air output panel
5	2	15-0820	Zijpaneel	Side cover
6	2	15-0816	Zijplint	Side panel
7	1	15-0833	Luchtafscherming	Air shield
8	2	14-9064	Profiel L=591 achterkant	Profile L=591 back
9	1	14-9074	Zijplint	Side panel
10	1	14-8354	Paneel achterkant	Back cover
11	1	15-0824	Bodempaneel	Assembly bottom
12	1	14-8102	Ventilatiepaneel	Vent cover
13	2	14-8084	Profiel L=591	Profile L=591
14	1	14-9068	Paneel voorkant	Front cover
15	1	15-0889	Plint voorkant	Assy front cover
16	1	15-0832	Luchtafscherming	Air shield



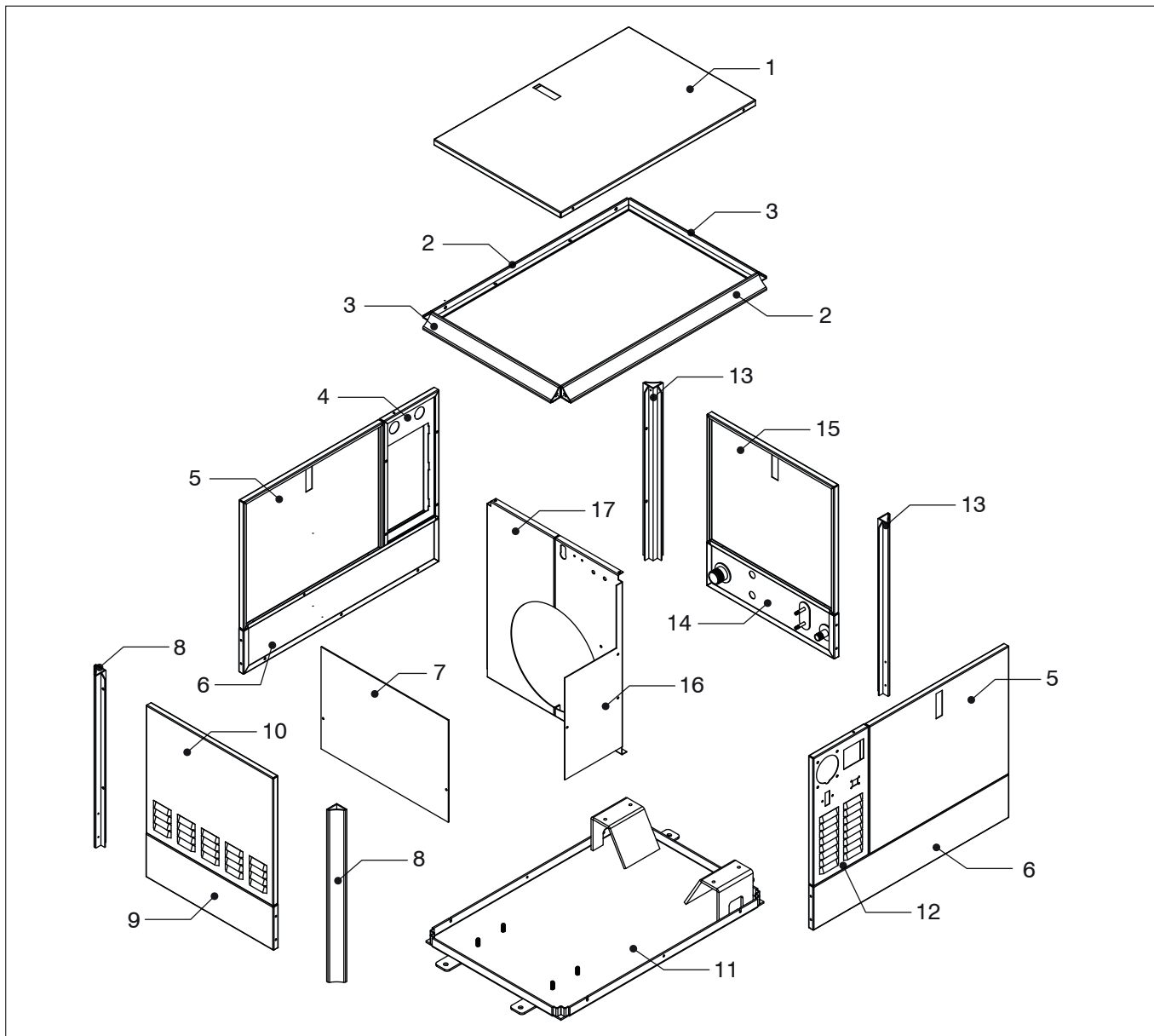
GLX6SIC

GLX7SIC

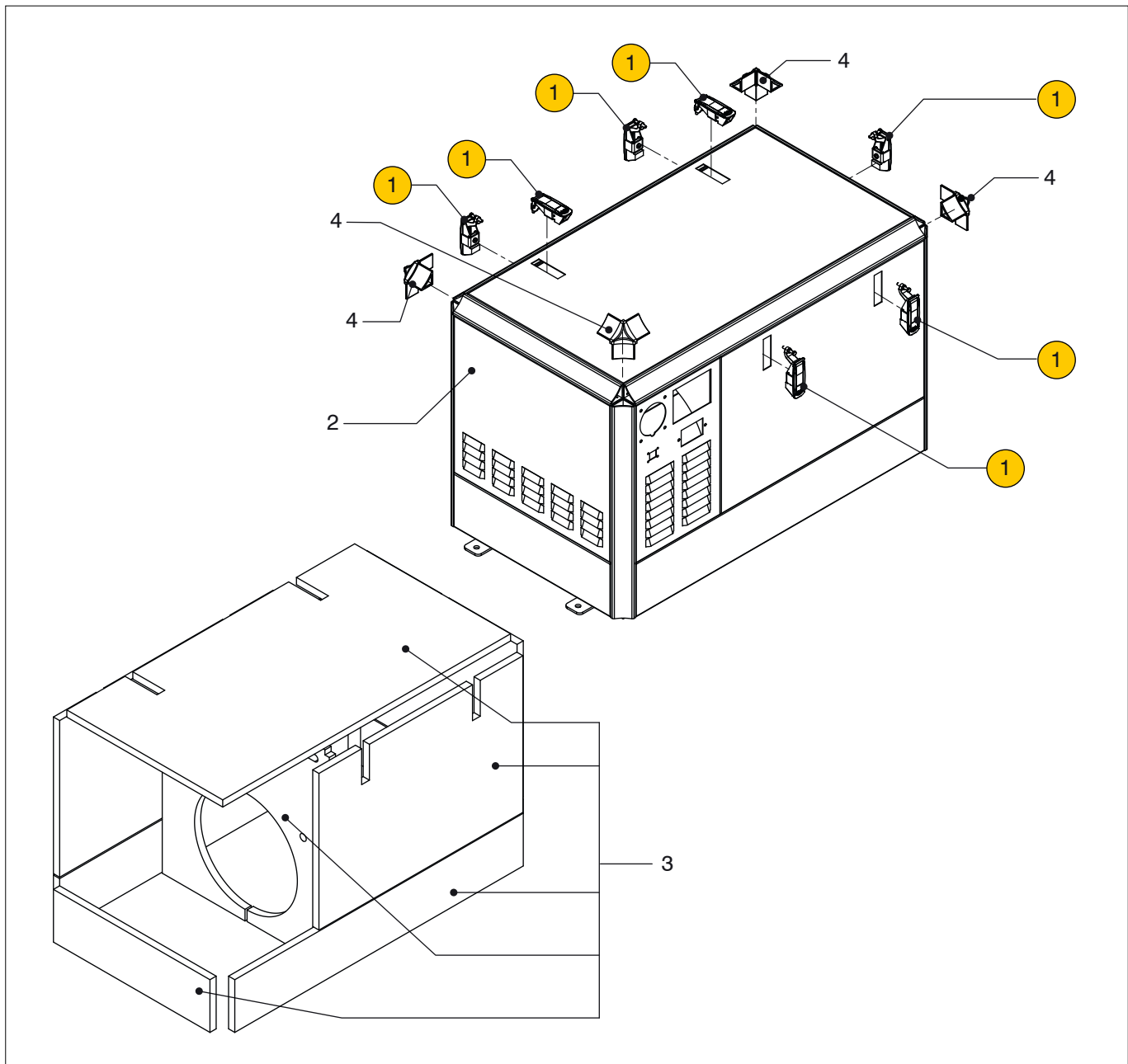
Behuizing en isolatie

Canopy and insulation

pos.	qty	part	benaming	description
1	1	15-0099	Behuizing, compleet	Housing, complete
2	1	16-3849	Isolatieset	Insulation set
3	4	12-4585	Koppeling 3-weg	Coupling 3-way
4	2	15-1421	Sticker GLX6	Label GLX6
5	1	14-9450	Sticker, 'Waarschuwingssymbolen'	Label, 'Warning symbols'
6	4	14-7846	Slot	Lock



GLX6SIC	GLX7SIC	Behuizing	Canopy	
pos.	qty	part	benaming	description
1	1	14-8089	Bovenpaneel	Top panel
2	2	14-8086	Profiel L=777	Profile L=777
3	2	14-8085	Profiel L=507	Profile L=507
4	1	16-3227	Luchtuitlaat paneel	Air outlet panel
5	2	14-8087	Zijpaneel	Side cover
6	2	14-8078	Zijplint	Side panel
7	1	16-3216	Luchtafscherming	Air shield
8	2	14-8077	Profiel L=591 achterkant	Profile L=591 back
9	1	14-8159	Zijplint	Side panel
10	1	14-8354	Paneel achterkant	Back cover
11	1	14-8186	Bodempaneel	Assembly bottom
12	1	14-8102	Ventilatiepaneel	Vent cover
13	2	14-8084	Profiel L=591	Profile L=591
14	1	14-8363	Plint voorkant	Assy front cover
15	1	14-8088	Paneel voorkant	Front cover
16	1	14-8106	Luchtafscherming	Air shield
17	1	14-8367	Luchtafscherming	Air shield

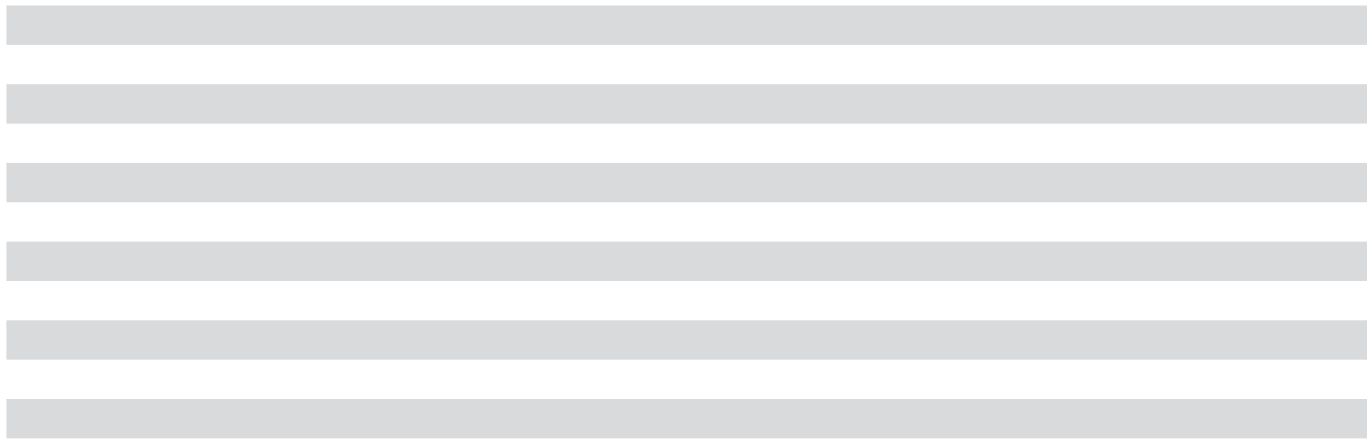


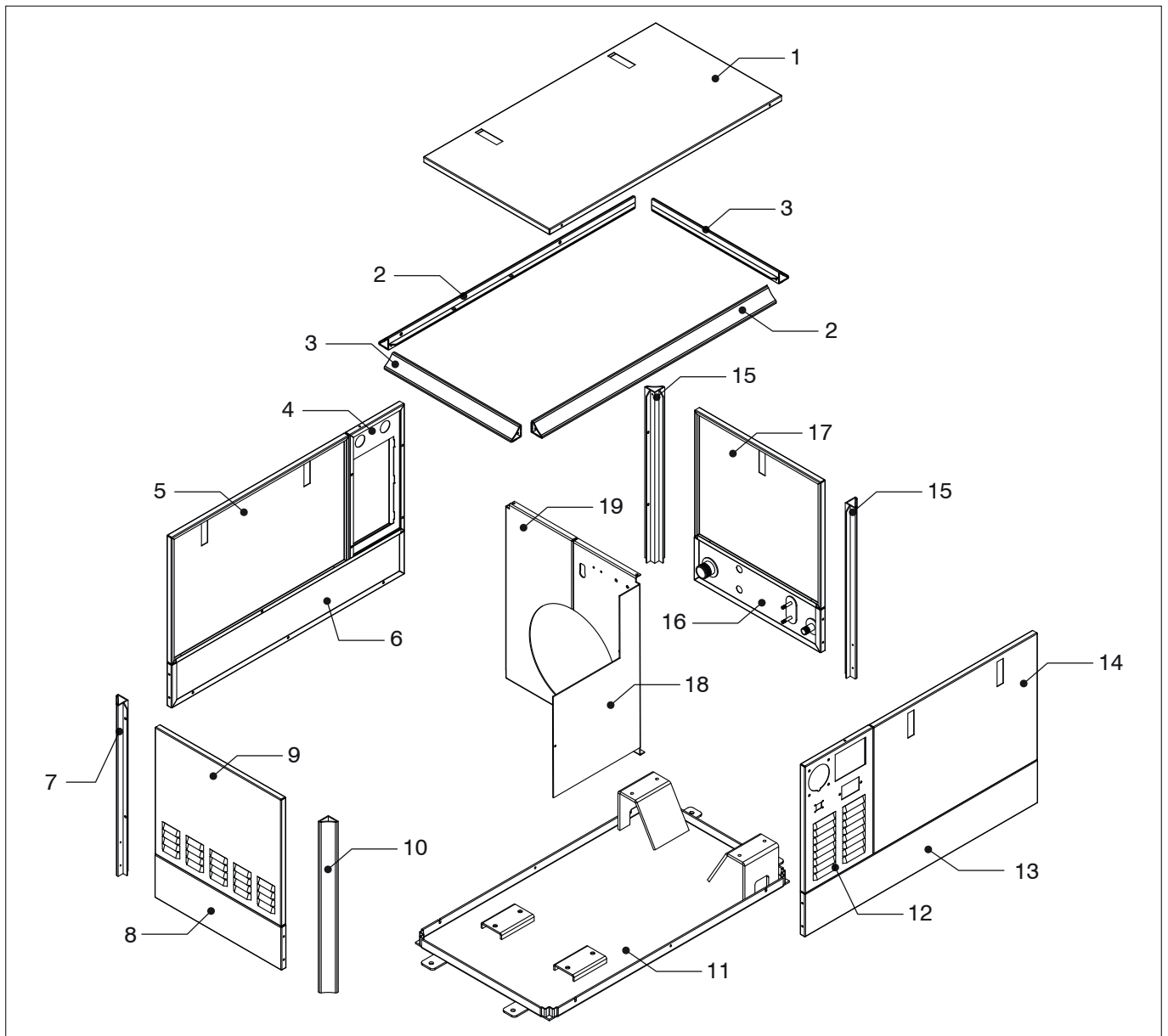
GHX14TIC

Behuizing en isolatie

Canopy and insulation

pos.	qty	part	benaming	description
1	7	14-7846	Slot	Lock
2	1	16-3666	Behuizing, compleet	Housing, complete
3	1	16-3876	Isolatieset	Insulation set
4	4	12-4585	Koppeling 3-weg	Coupling 3-way



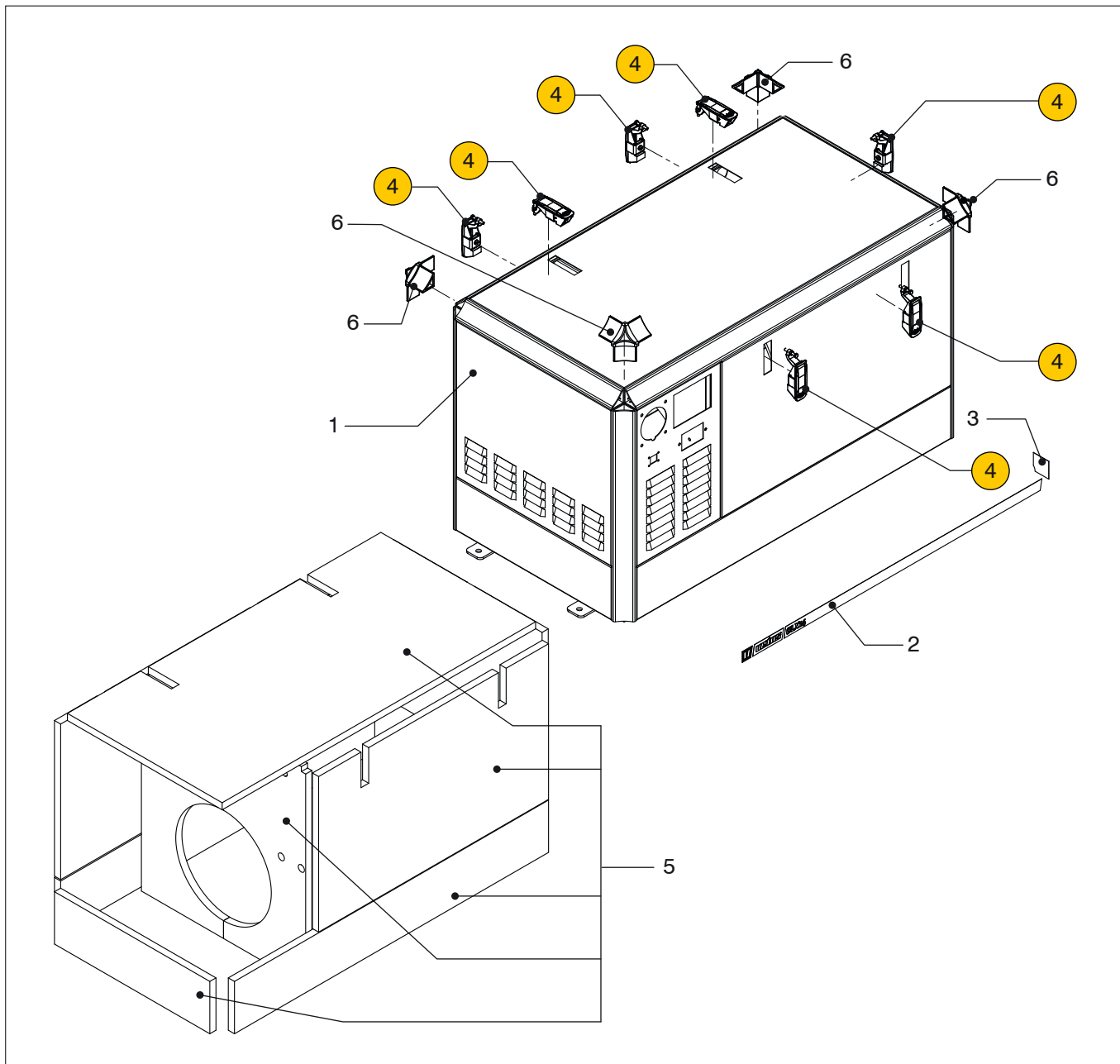


GHX14TIC

Behuizing

Canopy

pos.	qty	part	benaming	description
1	1	14-9069	Bovenpaneel	Top panel
2	2	14-9066	Profiel L=932	Profile L=932
3	2	14-9065	Profiel L=507	Profile L=507
4	1	16-3227	Luchtuitlaat paneel	Air outlet panel
5	1	14-9067	Zijpaneel	Side cover
6	1	14-9063	Zijplint	Side panel
7	1	14-8077	Profiel L=591 achterkant	Profile L=591 back
8	1	14-9074	Zijplint	Side panel
9	1	14-8354	Paneel achterkant	Back cover
10	1	14-9064	Profiel L=591 achterkant	Profile L=591 back
11	1	14-9075	Bodempaneel	Assembly bottom
12	1	14-9242	Ventilatiepaneel	Vent cover
13	1	16-3657	Zijplint	Side panel
14	1	16-3658	Zijpaneel	Side cover
15	2	14-8084	Profiel L=591	Profile L=591
16	1	14-8363	Plint voorkant	Assy front cover
17	1	14-9068	Paneel voorkant	Front cover
18	1	16-3684	Luchtafscherming	Air shield
19	1	15-0148	Luchtafscherming	Air shield

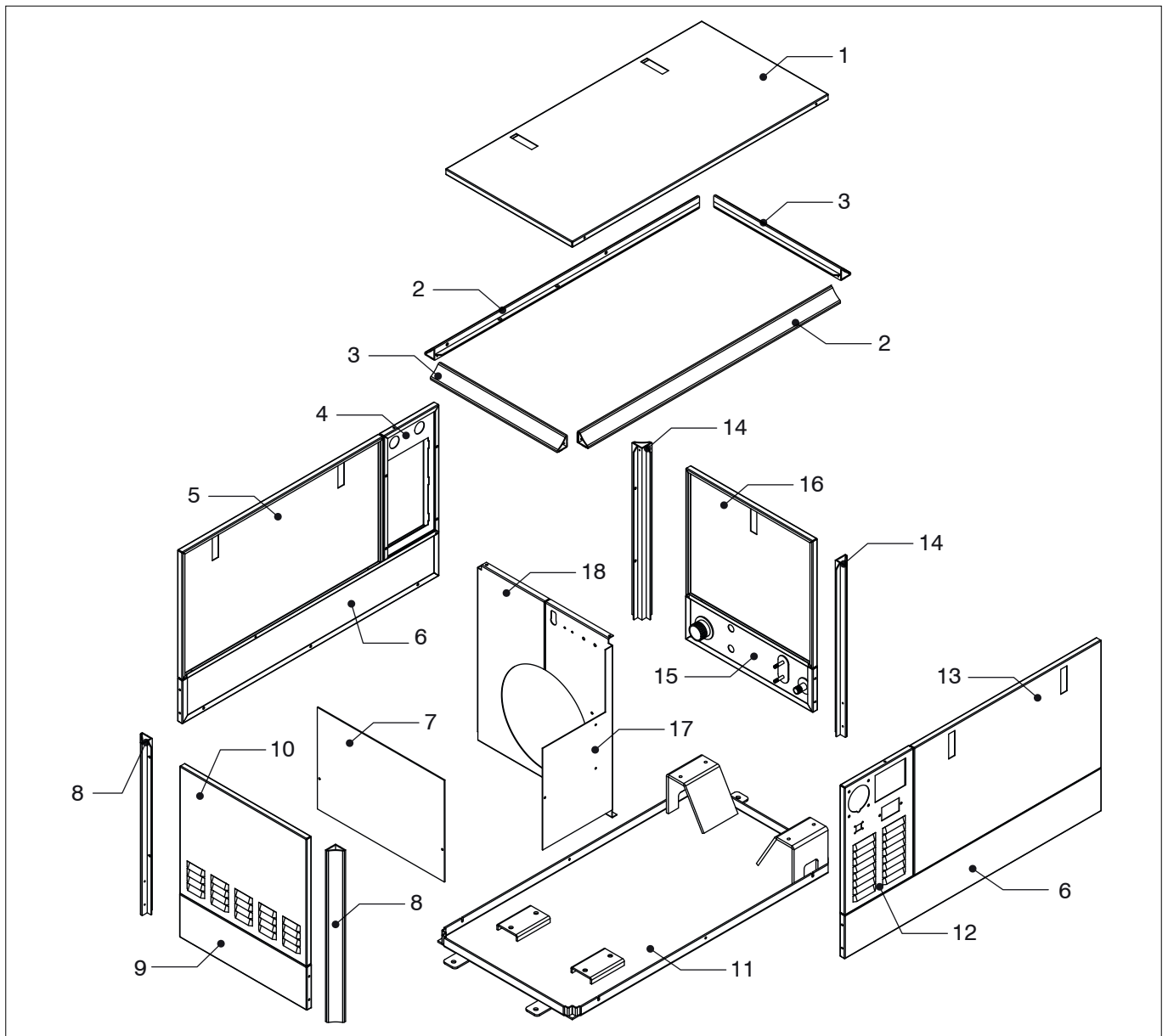


GLX14TIC

Behuizing en isolatie

Canopy and insulation

pos.	qty	part	benaming	description
1	1	15-1352	Behuizing, compleet	Housing, complete
2	2	14-9317	Sticker GLX14	Label GLX14
3	1	14-9450	Sticker, 'Symbolen'	Label, 'Symbols'
4	7	14-7846	Slot	Lock
5	1	16-3875	Isolatieset	Insulation set
6	4	12-4585	Koppeling 3-weg	Coupling 3-way



GLX14TIC

Behuizing

Canopy

pos.	qty	part	benaming	description
1	1	15-0822	Bovenpaneel	Top panel
2	2	15-0819	Profiel L=1092	Profile L=1092
3	2	14-9065	Profiel L=507	Profile L=507
4	1	14-9445	Luchtuitlaat paneel	Air output panel
5	1	15-0820	Zijpaneel	Side cover
6	2	15-0816	Zijplint	Side panel
7	1	16-3216	Lucht afscherming	Air shield
8	2	14-9064	Profiel L=591 achterkant	Profile L=591 back
9	1	14-9074	Zijplint	Side panel
10	1	14-8354	Paneel achterkant	Back cover
11	1	15-0824	Bodempaneel	Assembly bottom
12	1	14-9242	Ventilatiepaneel	Vent cover
13	1	15-2260	Zijplint	Side panel
14	2	14-8084	Profiel L=591	Profile L=591
15	1	15-0889	Plint voorkant	Assy front cover
16	1	14-9068	Paneel voorkant	Front cover
17	1	15-0832	Lucht afscherming	Air shield
18	1	15-0833	Lucht afscherming	Air shield

Register Index

art.nr. / part	pag. page	pos.	art.nr. / part	pag. page	pos.	art.nr. / part	pag. page	pos.	art.nr. / part	pag. page	pos.
08-01308	1-1	8	14-8354	9-3	10	14-9283	4-5	13	15-0832	9-12	17
08-01308	1-2	7	14-8354	9-4	10	14-9283	4-6	9	15-0833	9-6	7
08-01420	1-1	1	14-8354	9-6	10	14-9317	9-11	2	15-0833	9-12	18
08-01420	1-2	1	14-8354	9-8	10	14-9423	9-4	6	15-0889	9-6	15
12-4585	9-1	5	14-8354	9-10	9	14-9424	9-4	7	15-0889	9-12	15
12-4585	9-2	3	14-8354	9-12	10	14-9425	9-4	13	15-1287	9-1	1
12-4585	9-5	4	14-8363	9-3	16	14-9426	9-4	3	15-1352	9-11	1
12-4585	9-7	3	14-8363	9-4	14	14-9427	9-4	2	15-1399	4-1	1
12-4585	9-9	4	14-8363	9-8	14	14-9428	9-4	5	15-1399	4-2	3
12-4585	9-11	6	14-8363	9-10	16	14-9429	9-4	15	15-1399	4-3	3
13-6440	4-1	6	14-8367	9-8	17	14-9430	9-4	1	15-1399	4-4	1
14-7846	9-2	6	14-9063	9-3	6	14-9432	4-1	13	15-1399	4-5	3
14-7846	9-5	1	14-9063	9-10	6	14-9432	4-2	15	15-1399	4-6	2
14-7846	9-7	6	14-9064	9-3	11	14-9432	4-3	15	15-1400	4-1	2
14-7846	9-9	1	14-9064	9-6	8	14-9432	4-4	14	15-1400	4-2	4
14-7846	9-11	4	14-9064	9-10	10	14-9432	4-5	8	15-1400	4-3	4
14-7846	9-1	4	14-9064	9-12	8	14-9434	9-4	16	15-1400	4-4	2
14-8077	9-3	8	14-9065	9-3	3	14-9437	9-4	17	15-1400	4-5	4
14-8077	9-8	8	14-9065	9-6	3	14-9438	9-4	9	15-1400	4-6	3
14-8077	9-10	7	14-9065	9-10	3	14-9439	9-4	11	15-1420	9-1	2
14-8078	9-8	6	14-9065	9-12	3	14-9443	4-1	3	15-1421	9-7	4
14-8084	9-3	14	14-9066	9-3	2	14-9443	4-4	6	15-1700	7-1	5
14-8084	9-6	13	14-9066	9-10	2	14-9445	9-6	4	15-1700	7-2	6
14-8084	9-8	13	14-9067	9-3	5	14-9445	9-12	4	15-1700	7-3	8
14-8084	9-10	15	14-9067	9-10	5	14-9450	9-2	5	15-1700	7-4	5
14-8084	9-12	14	14-9068	9-3	15	14-9450	9-7	5	15-1700	7-5	6
14-8085	9-8	3	14-9068	9-6	14	14-9450	9-11	3	15-1700	7-6	5
14-8086	9-8	2	14-9068	9-10	17	14-9450	9-1	3	15-2260	9-12	13
14-8087	9-8	5	14-9068	9-12	16	14-9453	4-4	5	16-3216	9-3	7
14-8088	9-8	15	14-9069	9-3	1	15-0099	9-7	1	16-3216	9-4	8
14-8089	9-8	1	14-9069	9-10	1	15-0147	9-3	17	16-3216	9-8	7
14-8102	9-3	13	14-9074	9-3	9	15-0148	9-3	18	16-3216	9-12	7
14-8102	9-4	12	14-9074	9-6	9	15-0148	9-10	19	16-3227	9-3	4
14-8102	9-6	12	14-9074	9-10	8	15-0151	9-2	1	16-3227	9-4	4
14-8102	9-8	12	14-9074	9-12	9	15-0806	9-5	2	16-3227	9-8	4
14-8104	4-1	5	14-9075	9-3	12	15-0816	9-6	6	16-3227	9-10	4
14-8104	4-2	1	14-9075	9-10	11	15-0816	9-12	6	16-3235	9-4	18
14-8104	4-3	1	14-9077	4-2	5	15-0819	9-6	2	16-3640	4-2	6
14-8104	4-4	4	14-9077	4-3	5	15-0819	9-12	2	16-3640	4-3	6
14-8106	9-8	16	14-9082	9-2	4	15-0820	9-6	5	16-3657	9-10	13
14-8119	4-5	2	14-9241	4-5	5	15-0820	9-12	5	16-3658	9-10	14
14-8119	4-6	8	14-9241	4-6	6	15-0822	9-6	1	16-3666	9-9	2
14-8120	4-1	4	14-9242	9-10	12	15-0822	9-12	1	16-3684	9-10	18
14-8120	4-4	3	14-9242	9-12	12	15-0824	9-6	11	16-3849	9-7	2
14-8159	9-8	9	14-9248	4-5	1	15-0824	9-12	11	16-3856	9-2	2
14-8186	9-8	11	14-9248	4-6	4	15-0832	9-6	16	16-3873	9-1	6

art.nr. / part	pag. page	pos.	art.nr. / part	pag. page	pos.	art.nr. / part	pag. page	pos.	art.nr. / part	pag. page	pos.
16-3874	9-5	3	B08257R	7-6	12	SK160CA2	7-1	4			
16-3875	9-11	5	B08257R4	7-1	8	SK160MA1	7-3	4			
16-3876	9-9	3	B08257R4	7-5	8	SK160MA2	7-5	4			
16-4024	4-2	2	B10167R	7-1	10	SK160MA4	7-6	4			
16-4024	4-3	2	B10167R	7-5	11	SK160SA1	7-4	4			
16-4588	4-1	7	B10307R	7-3	5	STM0051	1-1	5			
16-4588	4-2	7	B10307R	7-6	10	STM0051	1-2	5			
16-4588	4-3	7	K5012V	7-1	3	STM0056	1-1	10			
16-4588	4-4	8	K5012V	7-2	3	STM0056	1-2	10			
16-4588	4-5	7	K5012V	7-3	3	STM3690	1-1	3			
16-4588	4-6	7	K5012V	7-4	2	STM3690	1-2	3			
16-4655	4-1	8	K5012V	7-5	3	STM4050	1-1	7			
16-4655	4-2	9	K5012V	7-6	3	STM4050	1-2	6			
16-4655	4-3	9	KGEN5016	7-1	2	STM6113	1-1	2			
16-4655	4-4	9	KGEN5016	7-3	2	STM6113	1-2	2			
16-4655	4-5	10	KGEN5016	7-4	3	STM7439	1-1	6			
16-4655	4-6	1	KGEN5016	7-6	2	STM8076	1-1	4			
16-4657	4-1	9	KSTEUN75V	7-2	2	STM8076	1-2	4			
16-4657	4-2	10	KSTEUN75V	7-5	2	STM9043	4-2	13			
16-4657	4-3	10	MPRGEN	4-1	11	STM9043	4-3	13			
16-4657	4-4	10	MPRGEN	4-2	8	STM9050	4-1	10			
16-4657	4-5	11	MPRGEN	4-3	8	STM9050	4-2	12			
16-4657	4-6	11	MPRGEN	4-4	7	STM9050	4-3	12			
16-4803	4-5	6	R081R	7-6	13	STM9050	4-4	11			
16-4843	7-2	10	R081R4	7-2	9	STM9050	4-5	9			
16-4957	4-1	14	R081R4	7-4	9	STM9547	1-1	9			
16-4957	4-2	14	R081R4	7-5	10	STM9548	1-2	8			
16-4957	4-3	14	R084R	7-3	10	STM9857	1-2	9			
16-4957	4-4	13	R084R	7-6	14	STM9858	1-2	9			
16-4957	4-5	12	R084R4	7-1	9						
16-6099	4-2	11	R084R4	7-2	8						
16-6099	4-3	11	R084R4	7-4	10						
16-6099	4-4	12	R084R4	7-5	9						
16-6099	4-5	14	R101R4	7-2	12						
16-6099	4-6	10	R101R4	7-3	7						
16-6134	4-1	12	R102R4	7-1	7						
17-7832	4-6	5	R104R	7-1	6						
218GEN	7-1	1	R104R	7-3	6						
329HGEN	7-2	1	R104R	7-4	6						
329HGEN	7-5	1	R104R	7-5	12						
329LGEN	7-4	1	R104R	7-6	6						
455LGEN	7-3	1	R104R4	7-2	5						
455LGEN	7-6	1	R104R4	7-5	7						
91292A158	7-2	13	R122R	7-3	11						
91292A207	7-2	7	R122R4	7-4	7						
95211A200	7-2	11	R122R4	7-5	5						
B08167R4	7-3	9	R122R4	7-6	9						
B08167R4	7-4	8	SK-160 LA 2	7-2	4						



FOKKERSTRAAT 571 - 3125 BD SCHIEDAM - HOLLAND
TEL.: +31(0)88 4884700 - sales@vetus.com - www.vetus.com