

parts catalogue



GLS 6SI
GLS 7SI
GLS 10SI
GLS 12SI
GLS 12TI
GLS 15TI

Deze onderdelencatalogus bevat waardevolle informatie voor onderhoud en service aan uw motor.

Wij adviseren U, bij vervanging alleen originele *VERBUS* onderdelen toe te passen.

Het typeplaatje bevat informatie over de typeaanduiding, het motornummer en de serie.

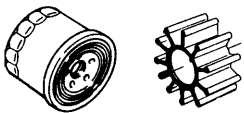
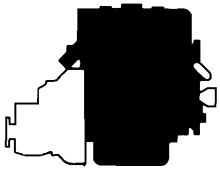
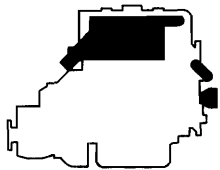
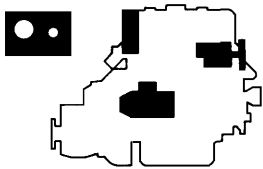

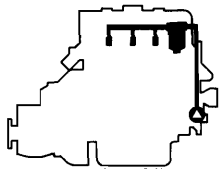
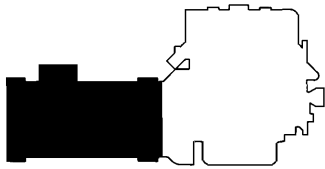



Gebruik deze informatie bij bestelling van onderdelen.

This parts'catalogue contains valuable information for maintenance and service over your engine.

For replacement, we recommend that you use only genuine *VERBUS* parts.

The identification tag contains information about model, serial number and series.

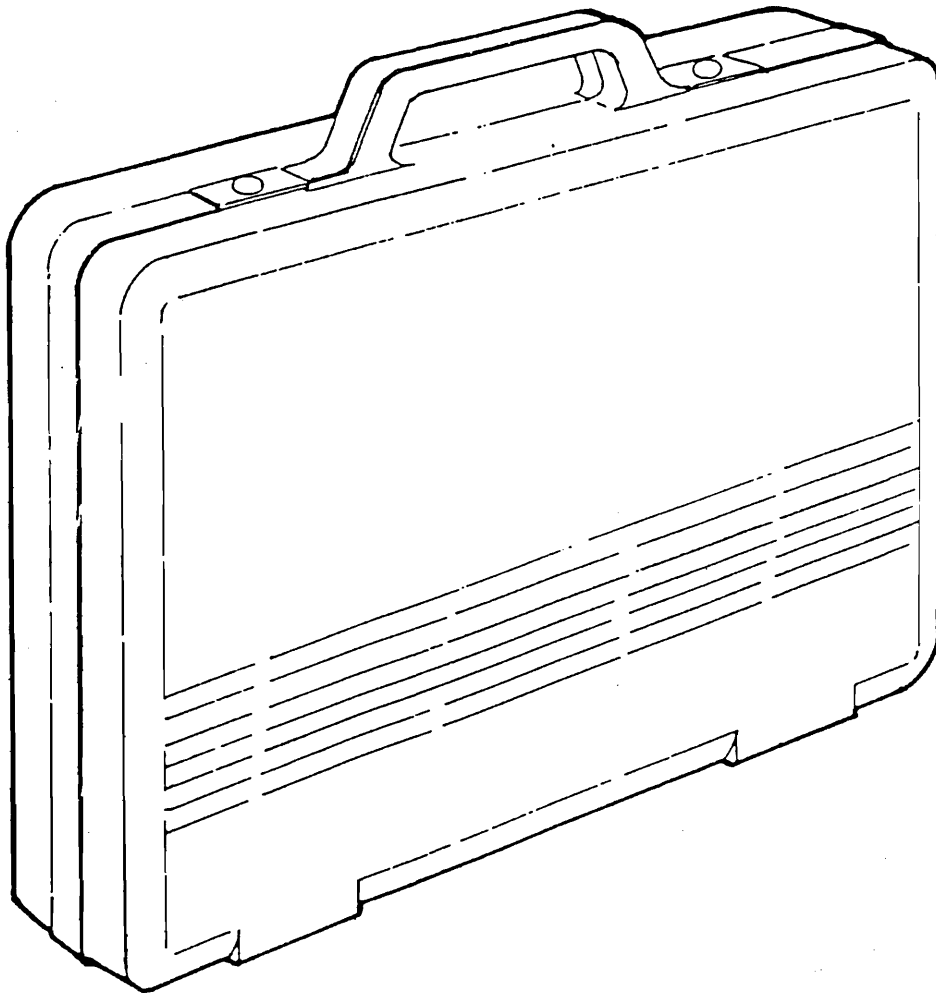
Use this information when ordering parts.

	<p>RESERVE KITS SPARE PARTS KIT</p>	<p>1</p>
	<p>MOTOR ENGINE</p>	<p>2</p>
	<p>KOELING COOLING</p>	<p>3</p>
	<p>ELECTRA, BEDIENING EN INSTRUMENTEN ELECTRICS, CONTROLS, INSTRUMENTS</p>	<p>4</p>
		<p>5</p>
	<p>BRANDSTOFSTEEEM FUEL SYSTEM</p>	<p>6</p>
	<p>GENERATOR GENERATOR</p>	<p>7</p>
		<p>8</p>
		<p>9</p>
		<p>10</p>

groep/ group	blz./ page	type	omschrijving/description	datum/date
1	1	M3-GLS M4-GLS	Kofferkit Case kit	22.4.'92

pos.	qty	part	benaming	description
1	1	STM0051	Oliefilter M3.10	Oil filter M3.10
2	1	STM3690	Brandstoffilter Ele.cav	Fuel filter Elem. cav
3	1	STM3009	Rubber bocht	Rubber bend
4	1	STM3053	Slangbocht	Hose bend
5	1	STM3052	Slangbocht	Hose bend
6	1	STM1060	Rubber ring	Rubber seal
7	1	STM1005	O-ring	O-ring
8	1	STM9053	Relais	Relay
9	1	STM7369	V-snaar	V-belt
10	1	STM0052	Busje verf 125 cc	Tin paint 125 cc
11	1	STM8061	Waaier	Impeller
12	1	STM6165	Pakking	Gasket
13	1	STM1057	Bout	Bolt
14	1	STM1007	Ring	Washer
15	1	STM3058	Thermostaat	Thermostate
16	1	STM3005	Slangklem	Hose clamp
17	1	STM3006	Slangklem	Hose clamp
18	2	STM7056	Ring	Washer
19	1	STM0063	Poly schuim onder	Poly foam under
20	1	STM0064	Poly schuim boven	Poly foam top
21	1	STM0062	Onderdelenkoffer geel	Spare parts container
22	1	STM0050	Kofferkit	Case kit
23	2	STM7263	Zekering 250V 10A, 5x20mm	Fuse 250V 10A 5x20mm
24	2	STM7264	Zekering 250V 6,3A 5x20mm	Fuse 250V 6,3A 5x20mm
25	8	STM7259	Borstels	Brush
26	1	STM7265	Sleutel voor omkasting	key
27	1	STM4050	Br.st.filt.elem.elec. pomp	fuel filt.elem.elec. pump
28	1	STM4038	Pakking	Gasket
29	1	STM4037	Pakking	Gasket
30	1	STM0036	Onderdelenboek M3/M4 GLS	Partslist M3/M4 GLS

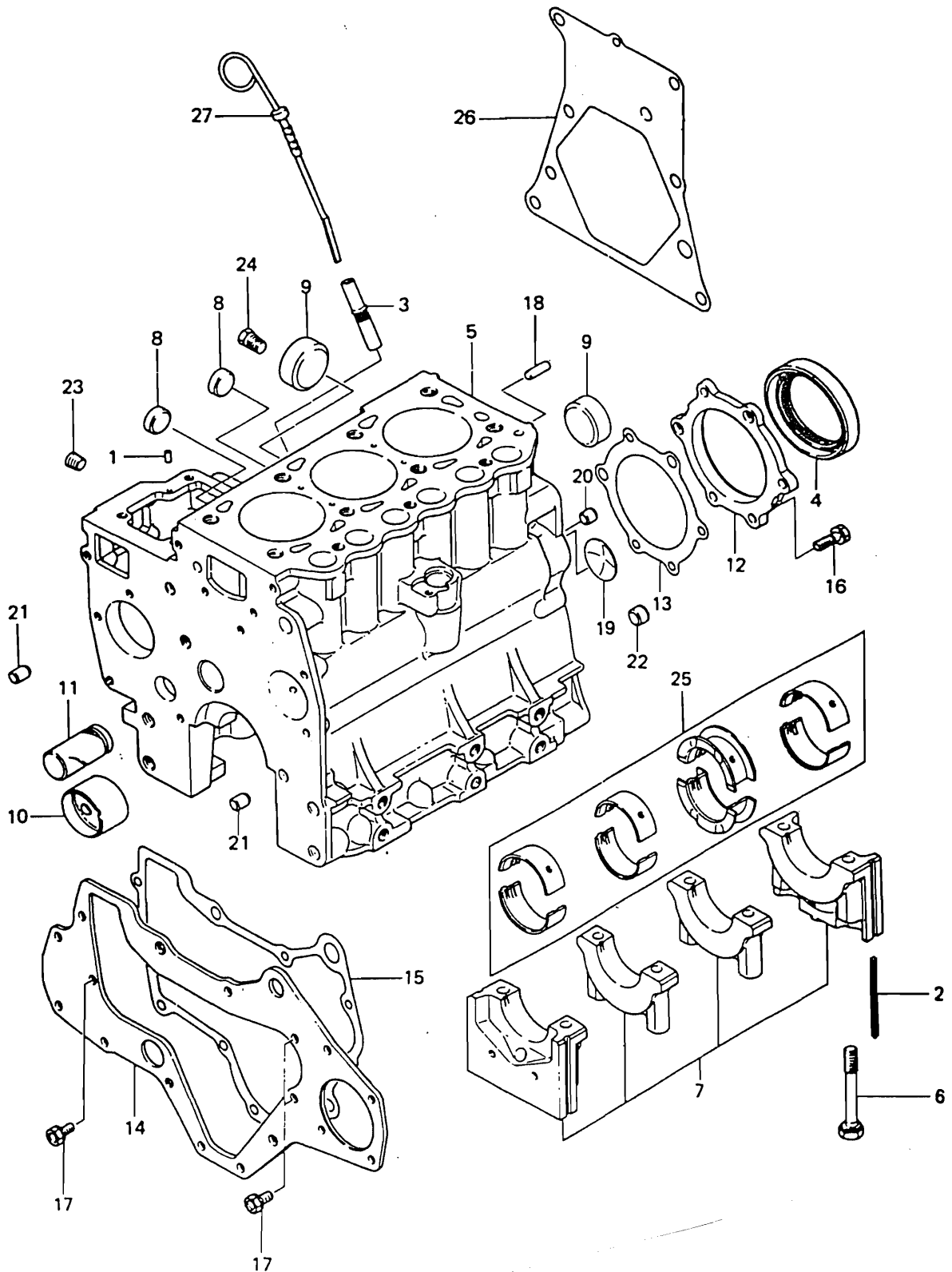
groep/ group	blz./ page	type	omschrijving/description	datum/date
1	1	M3-GLS M4-GLS	Kofferkit Case kit	22.4.'92



groep/ group	blz./ page	type	omschrijving/description	datum/date
2	1	M3-GLS	Cilinderblok Cylinder block	22.4.'92

pos.	qty	part	benaming	description
1	2	STM2492	Pen	Dowel pin
2	4	STM2620	Pakking	Gasket
3	1	STM2494	Pijp peilstok	Guide oil gauge
4	1	STM2495	Simmerring	Oil seal
5	1	STM2496	Cilinderblok	Cylinderblock
6	8	STM2497	Bout	Bolt
7	2	STM2537	Vriesplaat	Cap sealing
8	2	STM2538	Vriesplaat 45	Cap sealing 45
9	1	STM2501	Bus	Bush
10	1	STM2502	As tussenwiel	Shaft idler
11	1	STM2503	Ring	Case oil seal
12	1	STM2504	Pakking	Gasket
13	1	STM2505	Plaat	Plate
14	1	STM2506	Pakking	Gasket
15	6	STM1610	Bout	Bolt
16	3	STM7010	Bout	Bolt
17	1	STM2507	Pen	Dowel pin
18	1	STM2508	Plug	Plug
19	2	STM2509	Bus	Bush
20	2	STM2510	Bus	Bush
21	1	STM2511	Bus	Bush
22	3	STM2512	Plug	Plug
23	1	STM2513	Plug	Plug
24	1	STM2514	Lagerset standaard	Bearing set standard
25	1	STM2756	Lagerset O.S. 0,25	Bearing set O.S. 0,25
	1	STM2757	Lagerset O.S. 0,50	Bearing set O.S. 0,50
	1	STM2758	Lagerset O.S. 0,75	Bearing set O.S. 0,75
26	1	STM3393	Pakking	Gasket
27	1	STM2516	Peilstok	Oil level gauge
28	1	STM2607	Pakking set compl.	Gasket compl

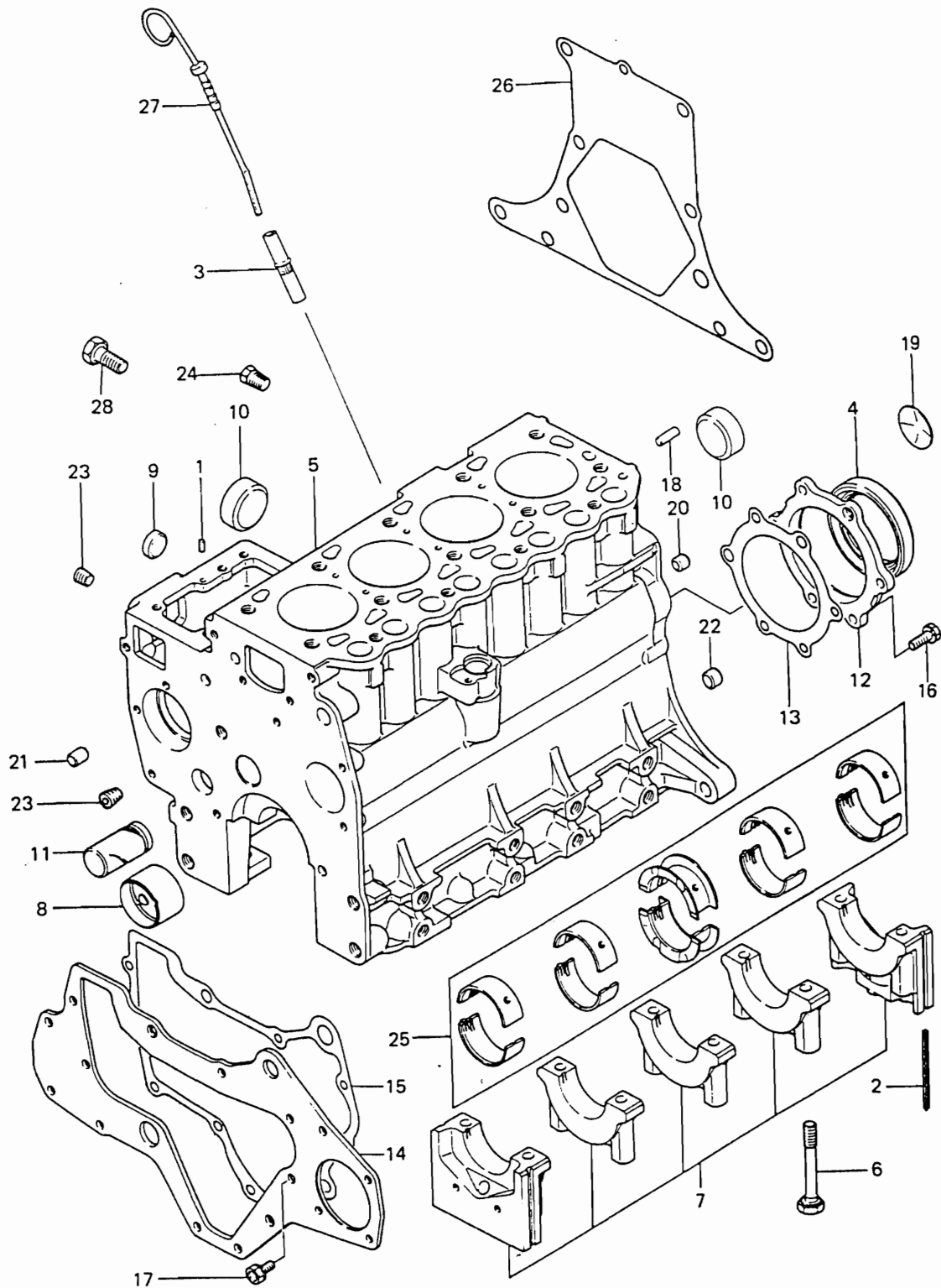
groep/ group	blz./ page	type	omschrijving/description	datum/date
2	1	M3-GLS	Cilinderblok Cylinder block	22.4.'92



groep/ group 2	blz./ page 2	type M4-GLS	omschrijving/description Cilinderblok Cylinderblock	datum/date 22.4.'92
----------------------	--------------------	--------------------	---	----------------------------

pos.	qty	part	benaming	description
1	2	STM2492	Pen	Dowel pin
2	4	STM2493	Pakking	Gasket
3	1	STM3387	Pijp peilstok M4	Guide oil level gauge M4
4	1	STM2495	Simmerring	Oil seal
5- 10	1	STM3388	Cilinderblok M4	Cylinderblock
6	10	STM2497	Bout	Bolt
8	1	STM2501	Bus	Bush
9	2	STM2537	Kap	Cap sealing
10	3	STM2538	Kap	Cap sealing
11	1	STM2502	As tussenwiel	Shaft idler
12	1	STM2503	Ring	Case oil seal
13	1	STM2504	Pakking	Gasket
14	1	STM2505	Plaat	Plate
15	1	STM2506	Pakking	Gasket
16	6	STM1610	Bout	Bolt
17	3	STM7010	Bout	Bolt
18	1	STM2507	Pen	Dowel pin
19	1	STM2508	Plug	Plug
20	2	STM2509	Bus	Bush
21	2	STM2510	Bus	Bush
22	1	STM2511	Bus	Bush
23	3	STM2512	Plug	Plug
24	1	STM2513	Plug	Plug
25	1	STM3389	Lagerzet standaard M4	Bearing set standard M4
	1	STM3390	Lagerzet 0,25 OS	Bearing set 0.25 OS
	1	STM3391	Lagerzet 0,50 OS	Bearing set 0.50 OS
	1	STM3392	Lagerzet 0,75 OS	Bearing set 0.75 OS
26	1	STM3393	Pakking	Gasket
27	1	STM2516	Peilstok	Oil level gauge

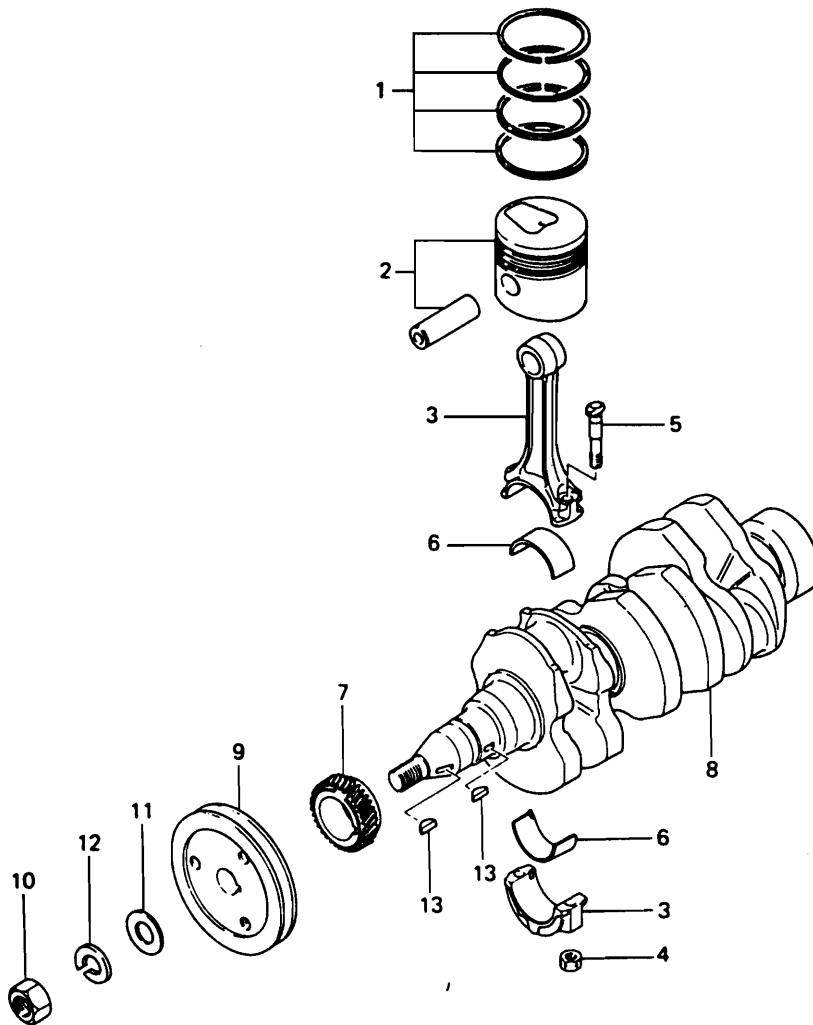
groep/ group	blz./ page	type	omschrijving/description	datum/date
2	2	M4-GLS	Cilinderblok Cylinderblock	22.4.'92



groep/ group	blz./ page	type	omschrijving/description	datum/date
2	3	M3-GLS	Krukas Crankshaft	22.4.'92

pos.	qty	part	benaming	description
1	3	STM2548	Zuigerveren set	Pistonrings set
	3	STM2549	Zuigerveren set O.S. 0,25	Pistonrings set O.S. 0,25
	3	STM2550	Zuigerveren set O.S. 0,50	Pistonrings set O.S. 0,50
	3	STM2551	Zuigerveren set O.S. 0,75	Pistonrings set O.S. 0,75
2	3	STM2552	Zuiger met pen standaard	Piston and pin standard
	3	STM2753	Zuiger met pen O.S. 0,25	Piston and pin O.S. 0,25
	3	STM2754	Zuiger met pen O.S. 0,50	Piston and pin O.S. 0,50
	3	STM2755	Zuiger met pen O.S. 0,75	Piston and pin O.S. 0,75
3	3	STM2556	Drijfstang	Connection rod assy
4	6	STM3586	Moer drijfstang	Nut connection rod
5	6	STM3585	Bout drijfstang	Bolt connection rod
6	3	STM3441	Lagerset standaard	Bearing set standard
	3	STM3442	Lagerset 0,25	Bearing set 0,25
	3	STM2561	Lagerset 0,50	Bearing set 0,50
	3	STM2562	Lagerset 0,75	Bearing set 0,75
7	1	STM2563	Tandwiel krukas	Gear crankshaft
8	1	STM2564	Krukas	Crankshaft
9	1	STM2565	Pulley krukas	Pulley crankshaft
10	1	STM2566	Moer	Nut
11	1	STM2567	Ring	Washer
12	1	STM2568	Veerring	Spring washer
13	2	STM3593	Spie 5 x 19	Key 5 x 19

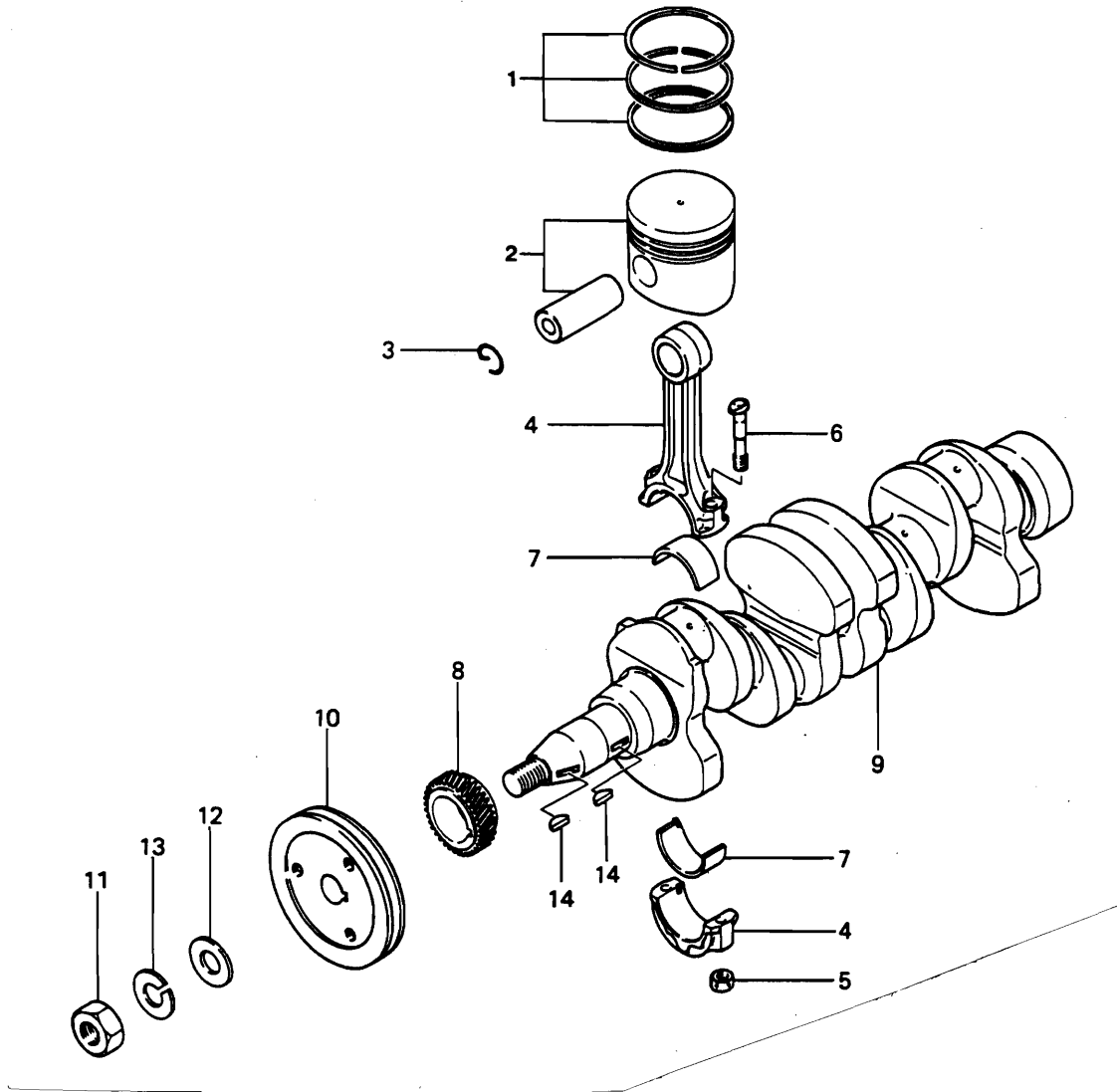
groep/ group	blz./ page	type	omschrijving/description	datum/date
2	3	M3-GLS	Krukas Crankshaft	22.4.'92



groep/ group 2	blz./ page 4	type M4-GLS	omschrijving/description Krukas Crankshaft	datum/date 22.4.'92
----------------------	--------------------	----------------	--	------------------------

pos.	qty	part	benaming	description
1	4	STM3430	Set zuigerveren stand. M4	Piston spring set standard
	4	STM3431	Set zuigerveren 0,25 OS	Piston spring set 0.25 OS
	4	STM3432	Set zuigerveren 0,50 OS	Piston spring set 0.50 OS
	4	STM3433	Set zuigerveren 0,75 OS	Piston spring set 0.75 OS
2	4	STM3434	Zuiger en pen standaard	Piston and pin standard
	4	STM3435	Zuiger en pen 0,25 OS	Piston and pin 0.25 OS
	4	STM3436	Zuiger en pen 0,50 OS	Piston and pin 0.50 OS
	4	STM3437	Zuiger en pen 0,75 OS	Piston and pin 0.75 OS
3	8	STM3438	Seegerring	Circlip
4	4	STM3439	Drijfstang	Connection rod M4.14
5	8	STM3586	Moer	Nut
6	8	STM3585	Bout	Bolt
7	4	STM3441	Lagerset standaard	Bearing set standard
	4	STM3442	Lagerset 0,25 OS	Bearing set 0.25 OS
	4	STM3443	Lagerset 0,50 OS	Bearing set 0.50 OS
	4	STM3444	Lagerset 0,75 OS	Bearing set 0.75 OS
8	1	STM3445	Krukas tandwiel	Crankshaft gear
9	1	STM3446	Krukas M4.14	Crankshaft M4.14
10	1	STM3447	Krukas pulley M4	Crankshaft pulley M4
11	1	STM2566	Moer	Nut
12	1	STM2567	Ring	Washer
13	1	STM2568	Veerring	Spring washer
14	2	STM3593	Spie	Woodruff Key

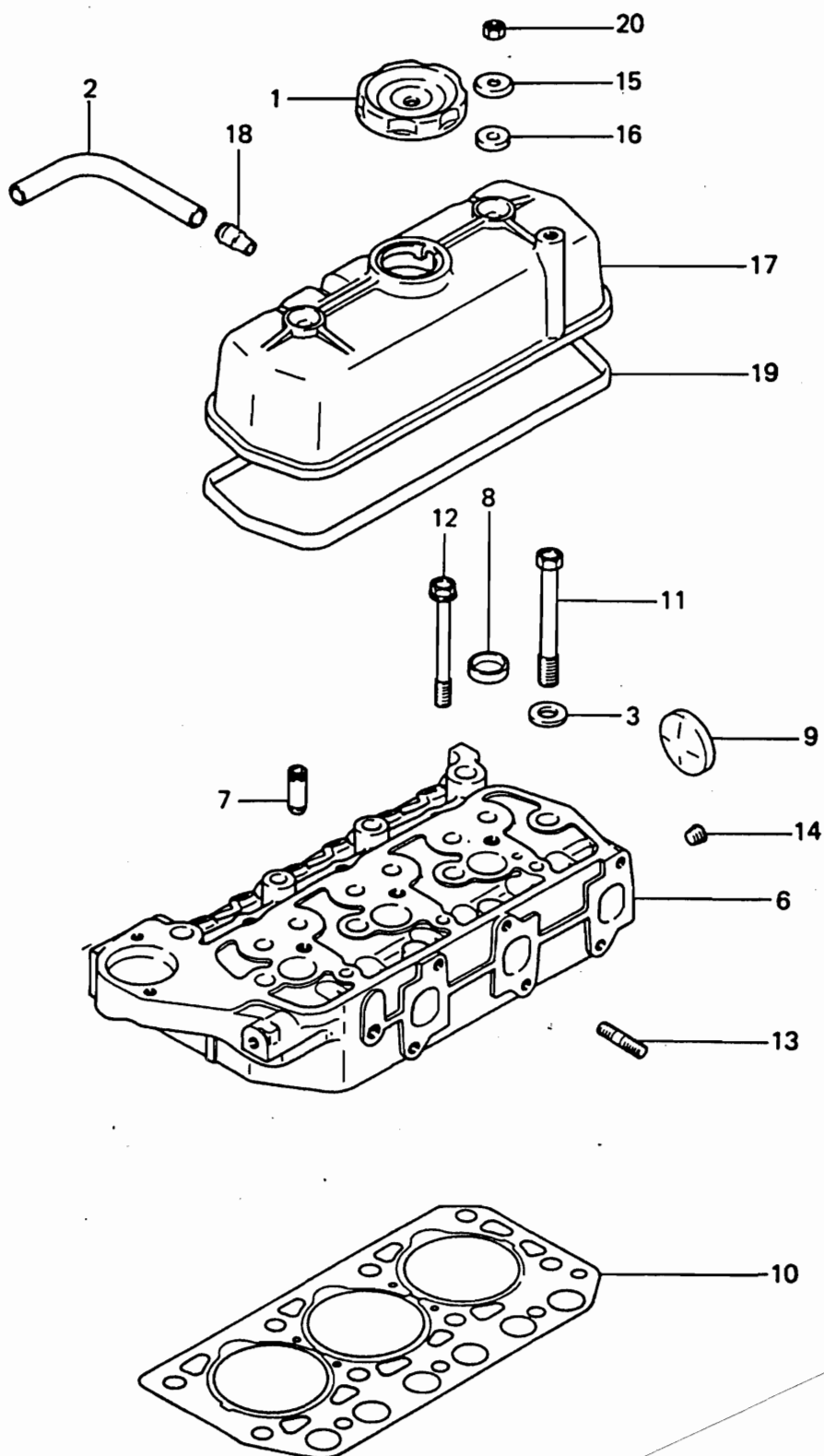
groep/ group	blz./ page	type	omschrijving/description	datum/date
2	4	M4-GLS	Krukas Crankshaft	22.4.'92



groep/ group 2	blz./ page 5	type M3-GLS	omschrijving/description Cilinderkop Cylinder head	datum/date 22.4.'92
----------------------	--------------------	--------------------	--	----------------------------

pos.	qty	part	benaming	description
1	1	STM2532	Vuldop	Oilfiller cap
2	1	STM2533	Pijp	Pipe
3	8	STM2534	Ring	Washer
6	1	STM2535	Cilinderkop	Cylinder head
7	6	STM2536	Klepgeleider	Valve guide
8	3	STM2499	Kap	Cap sealing
9	1	STM2500	Kap	Cap sealing
10	1	STM2539	Cilinderkoppakking	Gasket cylinder head
11	8	STM2540	Bout	Bolt cylinder head
12	3	STM2541	Bout	Bolt cylinder head
13	1	STM2003	Tapeind	Stud
14	1	STM2542	Plug	Plug
15	2	STM2543	Ring	Washer
16	2	STM2544	Keerring	Oil seal
17	1	STM2545	Klepdeksel	Cover rocker
18	1	STM2546	Pijp	Pipe
19	1	STM2547	Pakking klepdeksel	Gasket
20	2	STM2005	Moer	Nut

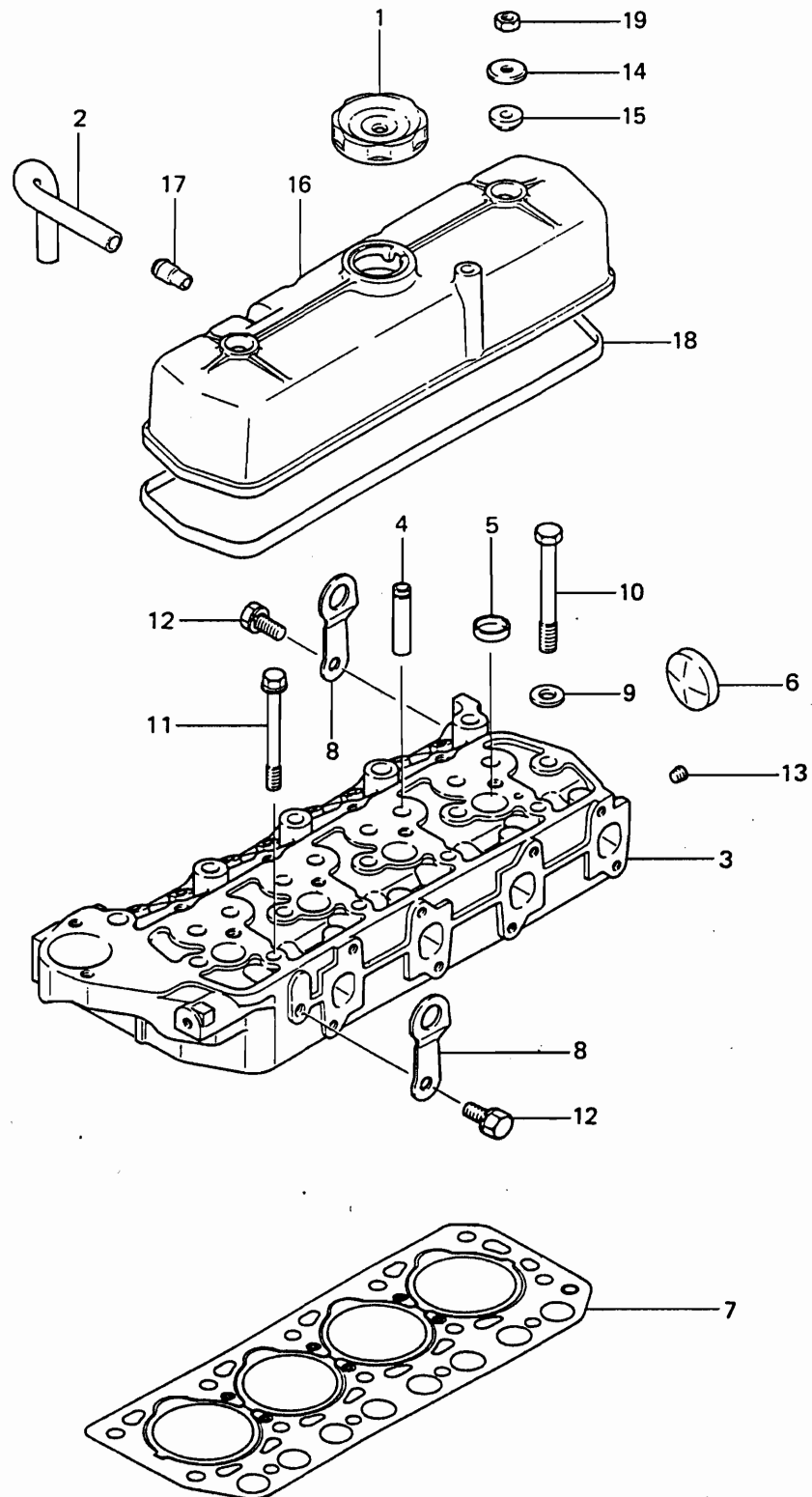
groep/ group	blz./ page	type	omschrijving/description	datum/date
2	5	M3-GLS	Cilinderkop Cylinder head	22.4.'92



groep/ group 2	blz./ page 6	type M4-GLS	omschrijving/description Cilinderkop Cylinder head	datum/date 22.4.'92
----------------------	--------------------	--------------------	--	----------------------------

pos.	qty	part	benaming	description
1	1	STM2532	Vuldop	Oliefiller cap
2	1	STM2533	Pijp	Pipe
3	1	STM3394	Cilinderkop M4	Cylinder head
4	8	STM2536	Klepgeleider	Valve guide
5	4	STM2537	Kap	Cap sealing
6	1	STM2538	Kap	Cap sealing
7	1	STM3395	Koppakking M4	Cylinder head gasket M4
9	10	STM2534	RingWasher	
10	10	STM2540	Bout	Bolt cylinder head
11	4	STM2541	Bout	Bolt cylinder head
13	1	STM2542	Plug	Plug
14	2	STM2543	Ring	Washer
15	2	STM2544	Keerring	Oil seal
16	1	STM3396	Klepdeksel M4	Rocker cover
17	1	STM2546	Pijp	Pipe
18	1	STM3397	Pakking klepdeksel M4	Gasket rocker cover M4
19	2	STM2005	Moer	Nut

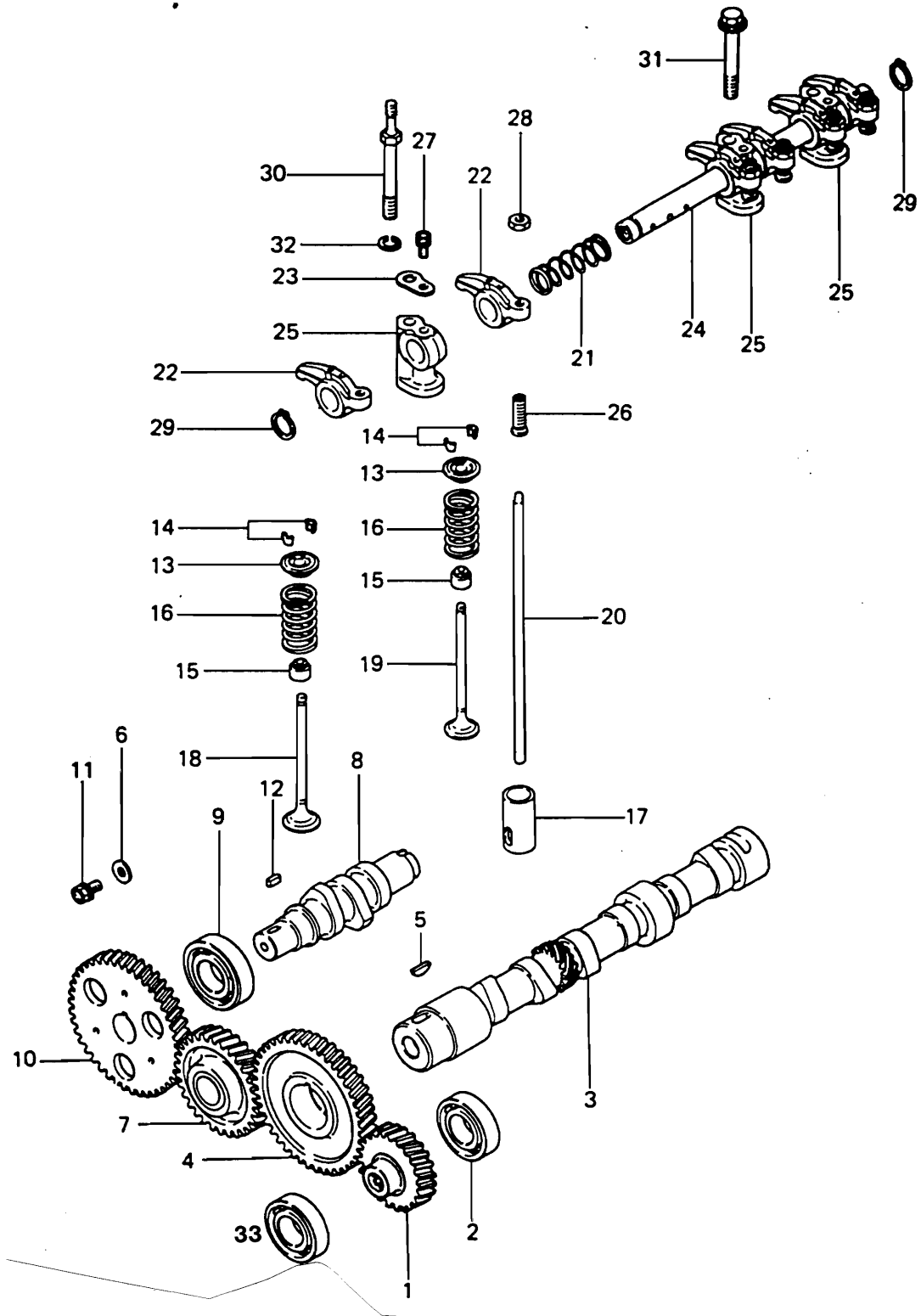
groep/ group	blz./ page	type	omschrijving/description	datum/date
2	6	M4-GLS	Cilinderkop Cylinderhead	22.4.'92



groep/ group	blz./ page	type	omschrijving/description	datum/date
2	7	M3-GLS	Distributie Timing gear	22.4.'92

pos.	qty	part	benaming	description
1	1	STM2490	Tandwiel oliepomp	Gear oil pump
2	1	STM7261	Kogellager	Bearing ball
3	1	STM2577	Nokkenas	Cam shaft
4	1	STM2578	Tandwiel nokkenas	Gear cam shaft
5	1	STM2579	Spie	Key
6	1	STM2580	Ring	Washer
7	1	STM2581	Tandwiel	Gear idler
8	1	STM2582	As injectie pomp	Shaft fuel pump
9	1	STM2583	Kogellager	Bearing ball
10	1	STM2584	Tandwiel injectie pomp	Gear cam fuel injection pump
11	1	STM2585	Bout	Bolt
12	1	STM2586	Spie	Key
13	6	STM2587	Veerschotel	Retainer valve spring
14	12	STM2588	KlepaspieLock	valve retainer
15	6	STM2589	Keerring	Seal
16	6	STM2590	Klepveer	Valve spring
17	6	STM2591	Klepstoter	Tappet
18	3	STM2592	Inlaatklep	Valve intake
19	3	STM2593	Uitlaatklep	Valve exhaust
20	6	STM2594	Stoterstang	Push rod
21	2	STM2595	Veer tuimelaar	Spring rocker shaft
22	6	STM2596	Tuimelaar	Rocker arm
23	2	STM2597	Plaatje	Washer
24	1	STM2598	Tuimelaar as	Rocker shaft
25	3	STM2599	Steun tuimelaar as	Stay rocker shaft
26	6	STM2600	Schroef stel	Screw adjust
27	2	STM2601	Bout	Bolt
28	6	STM2602	Moer	Nut
29	2	STM2603	Ring	Ring snap
30	2	STM2604	Bout	Bolt
31	1	STM2605	Bout	Bolt
32	2	STM2606	Veerring	Spring washer
33	6	STM3401	Veerschotel	Washer
34	1	STM7262	Lager	Bearing

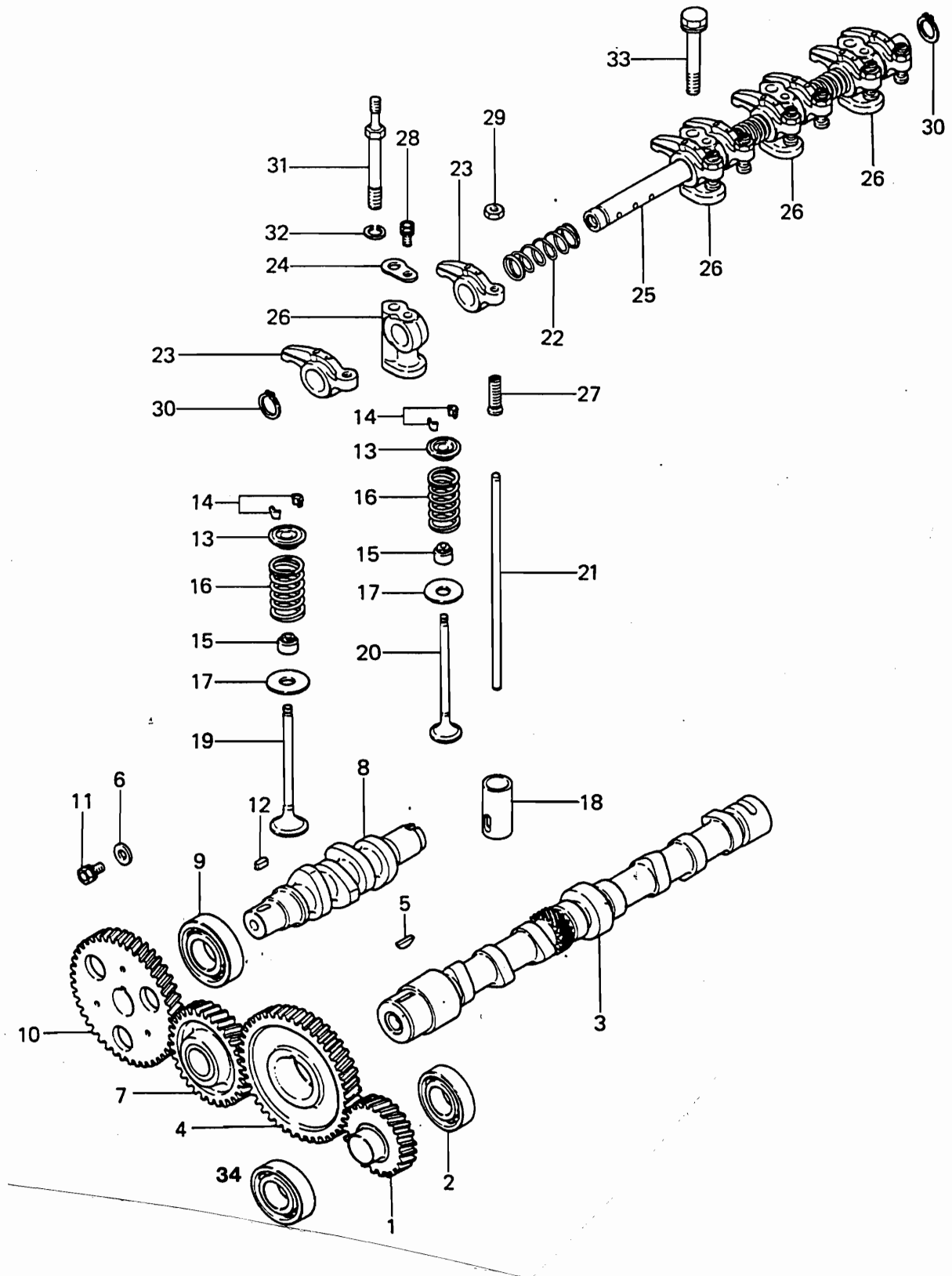
groep/ group	blz./ page	type	omschrijving/description	datum/date
2	7	M3-GLS	Distributie Timing gear	22.4.'92



groep/ group 2	blz./ page 8	type M4-GLS	omschrijving/description Distributie Timing parts	datum/date 22.4.'92
----------------------	--------------------	--------------------	---	----------------------------

pos.	qty	part	benaming	description
1	1	STM2490	Tandwielpompe	Gear waterpump
2	1	STM7261	Lager	Bearing
3	1	STM3399	Nokkenas	Cam shaft
4	1	STM2578	Tandwiel nokkenas	Gear camshaft
5	1	STM2579	Spie	Key
6	1	STM2580	Ring	Washer
7	1	STM2581	Tandwiel	Gear idler
8	1	STM3400	As injectie pomp	Shaft injection pump
9	1	STM2583	Kogellager	Ball bearing
10	1	STM2584	Tandwiel injectie pomp	Gear can fuel injection pump
11	1	STM2585	Bout	Bolt
12	1	STM2586	Spie	Key
13	8	STM2587	Veerschotel	Retainer valve spring
14	16	STM2588	KlepaspieLock	valve retainer
15	8	STM2589	Keerring	Seal
16	8	STM2590	Klepveer	Valve spring
17	8	STM3401	Veerschotel	Washer
18	8	STM2591	Klepstoter	Tappet
19	4	STM2592	Inlaatklep	Valve intake
20	4	STM2593	Uitlaatklep	Valve exhaust
21	8	STM2594	Stoterstang	Push rod
22	3	STM2595	Veer tuimelaar	Spring rocker shaft
23	8	STM2596	Tuimelaar	Rocker arm
24	2	STM2597	Plaatje	Washer
25	1	STM3402	Tuimelaar as M4	Rocker shaft M4
26	4	STM2599	Steun tuimelaar as	Stay rocker shaft
27	8	STM2600	Stelschroef	Screw adjust
28	2	STM2601	Bout	Bolt
29	8	STM2602	Moer	Nut
30	2	STM2603	Ring	Ring snap
31	2	STM2604	Bout	Bolt
32	2	STM2606	Veerring	Spring washer
33	2	STM2605	Bout	Bolt
34	1	STM7262	Lager	Bearing

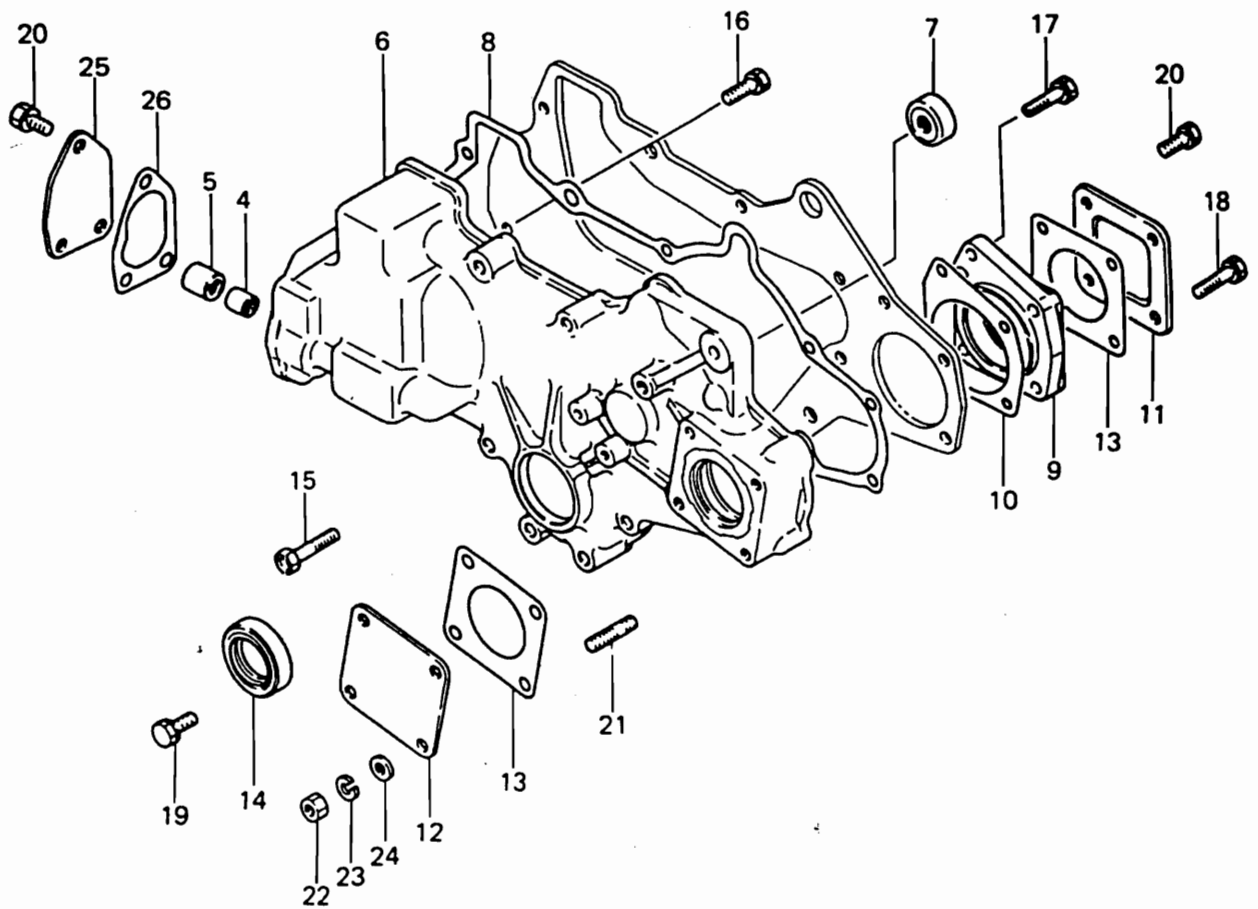
groep/ group	blz./ page	type	omschrijving/description	datum/date
2	8	M4-GLS	Distributie Timing parts	22.4.'92



groep/ group 2	blz./ page 9	type M3-GLS M4-GLS	omschrijving/description Distributiedeksel Timing gear cover	datum/date 22.4.'92
----------------------	--------------------	--------------------------	--	------------------------

pos.	qty	part	benaming	description
4	1	STM2517	Naaldlager	Needle bearing
5	1	STM2518	Naaldlager	Needle bearing
6	1	STM2519	Distributiedeksel	Case gear
7	1	STM2520	Plug	Plug
8	1	STM2521	Pakking	Gasket
9	1	STM2522	Lagerhuis	Housing bearing
10	1	STM2523	Pakking	Gasket
11	1	STM2524	Deksel	Cover
12	1	STM2525	Deksel	Cover
13	1	STM2526	Pakking	Gasket
14	1	STM3559	Simmerring	Oil seal
15	8	STM2528	Bout	Bolt
16	2	STM3355	Bout	Bolt
17	1	STM7059	Bout	Bolt
18	3	STM1651	Bout	Bolt
19	1	STM3355	Bout	Bolt
20	4	STM4055	Bout	Bolt
21	3	STM2529	Tapeind	Stud
22	3	STM2005	Moer	Nut
23	3	STM1056	Veerring	Washer
24	3	STM1653	Ring	Washer
25	1	STM2530	Deksel	Cover
26	1	STM2531	Pakking	Gasket

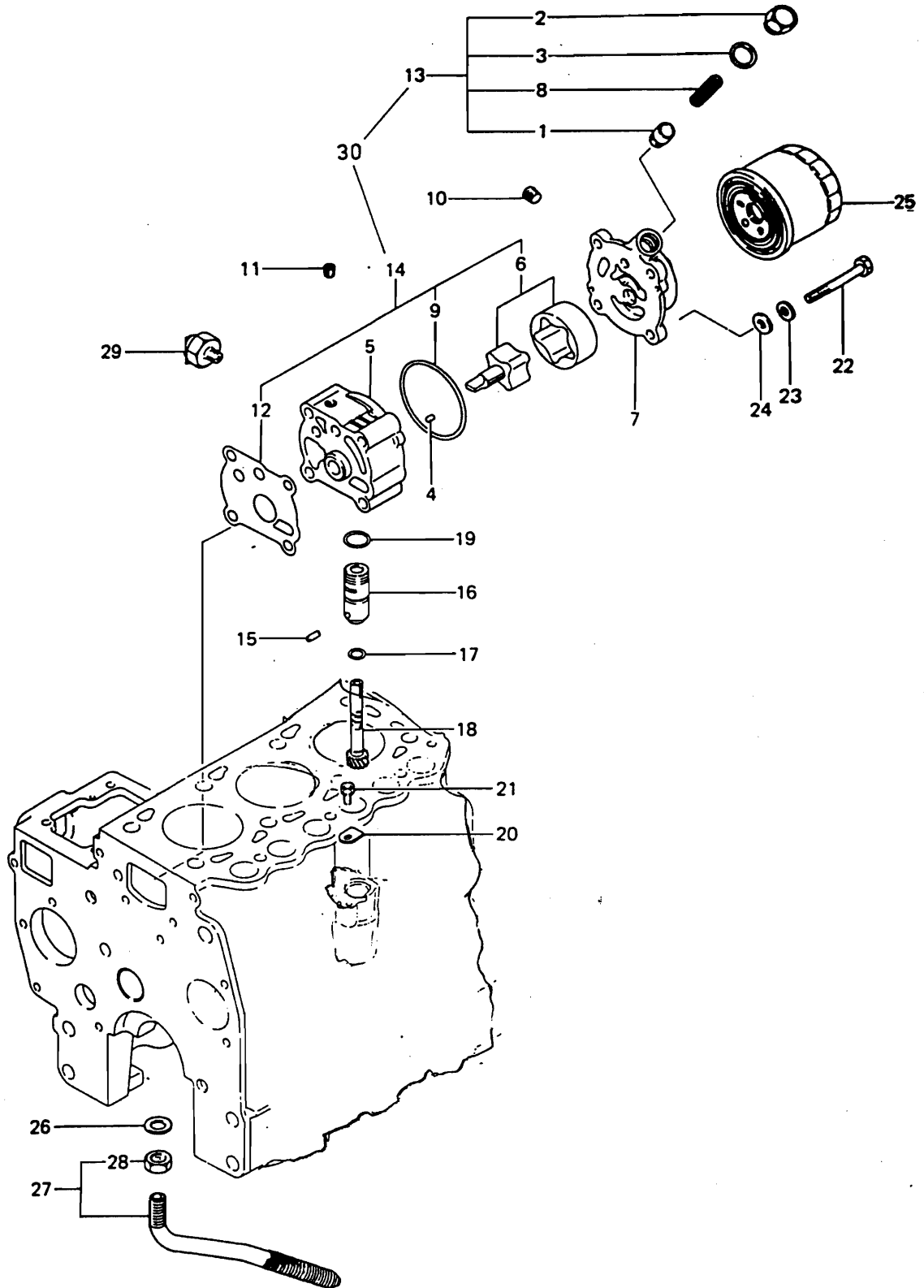
groep/ group	blz./ page	type	omschrijving/description	datum/date
2	9	M3-GLS M4-GLS	Distributiedeksel Timing gear cover	22.4.'92



groep/ group 2	blz./ page 10	type M3-GLS	omschrijving/description Oliepomp Oil pump	datum/date 22.4.'92
----------------------	---------------------	----------------	--	------------------------

pos.	qty	part	benaming	description
1	1	STM2647	Overstortklep	Plunger
2	1	STM2648	Plug	Plug
3	1	STM2649	Pakking	Gasket
4	2	STM2650	Pen	Dowel pin
5	1	STM2651	Huis oliepom	Body oil pump
6	1	STM2652	Rotor compleet	Rotor assy
7	1	STM2653	Deksel oliepom	Cover oil pump
8	1	STM2654	Veer	Spring relief
9	1	STM2655	O-ring	O-ring
10	1	STM2656	Plug	Plug
11	1	STM2657	Plug 1/8	Plug 1/8
12	1	STM2658	Pakking oliepom	Gasket oil pump
13	1	STM2659	Reparatieset	Service kit
14	1	STM2660	Reparatieset	Service kit
15	1	STM2662	Pen	Pin
15-				
16	1	STM2661	TT aandrijving	Tachodrive
16	1	STM3426	Bus	Sleeve
17	1	STM2664	O-ring	O-ring
18	1	STM2665	Tandwiel	Gear
19	1	STM2666	O-ring	O-ring
20	1	STM2667	Borgplaat	Locking plate
21	1	STM2668	Bout	Bolt
22	1	STM2669	Bout	Bolt
23	1	STM2670	Ring	Washer
24	1	STM2671	Ring	Washer
25	1	STM0051	Oliefilter M3.10	Oil filter M3.10
26	1	STM2672	Pakking	Gasket
27	1	STM2673	Aanzuigpijp	Suction pipe
28	1	STM2574	Moer	Nut
29	1	STM2675	Oliedrukschakelaar	Oil pressure switch
30	1	STM3424	Oliepom compleet	Oil pressure switch
31	1	STM3425	TT aandrijving 19-16-15-17-18	Tacho drive 19-16-15-17-18

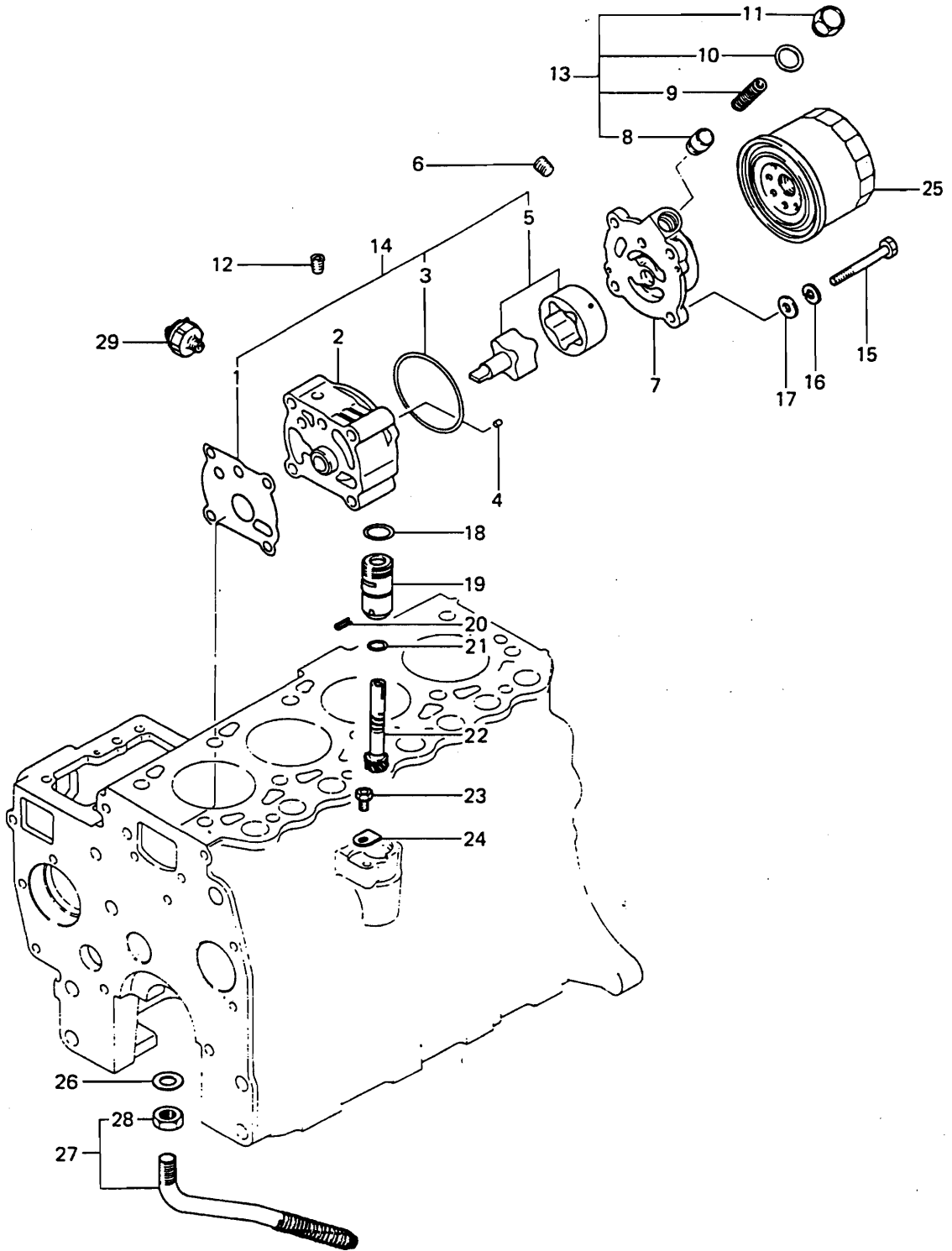
groep/ group	blz./ page	type	omschrijving/description	datum/date
2	10	M3-GLS	Oliepomp Oil pump	22.4.'92



groep/ group 2	blz./ page 11	type M4-GLS	omschrijving/description Oliepomp Oil pump	datum/date 22.4.'92
----------------------	---------------------	----------------	--	------------------------

pos.	qty	part	benaming	description
1	1	STM2658	Oliepomp pakking	Gasket oil pump
2- 12	1	STM3424	Oliepomp compleet	Oil pump complete
2	1	STM2651	Huisoliepomp	Body oil pump
3	1	STM2655	O-ring	O-ring
4	2	STM2650	Pen	Dowel pin
5	1	STM2652	Rotor compleet	Rotor assy
6	1	STM2657	Plug 1/8	Plug 1/8
7	1	STM2653	Oliepompdeksel	Oil pump cover
8	1	STM2647	Overstortklep	Plunger
9	1	STM2654	Veer	Spring relief
10	1	STM2649	Pakking	Gasket
11	1	STM2648	Plug	Plug
12	1	STM2657	Plug 1/8	Plug 1/8
13	1	STM2659	Reparatieset	Service kit
14	1	STM2660	Reparatieset	Service kit
15	4	STM2669	Bout	Bolt
16	4	STM2670	Ring	Washer
17	4	STM2671	Ring	Washer
18- 22	1	STM3425	TT aandrijving	Tacho drive
18	1	STM2666	O-ring	O-ring
19	1	STM3426	Bus	Bush
20	1	STM3427	Pen	Pin
21	1	STM2664	O-ring	O-ring
22	1	STM2665	Tandwiel	Gear
23	1	STM2668	Bout	Bolt
24	1	STM2667	Borgplaat	Locking plate
25	1	STM0051	Oliefilter	Oil filter
26	1	STM2672	Pakking	Gasket
27	1	STM3428	Aanzuigpijp M4	Suction pipe M4
28	1	STM2674	Moer	Nut
29	1	STM2675	Oliedrukschakelaar	Oil pressure switch

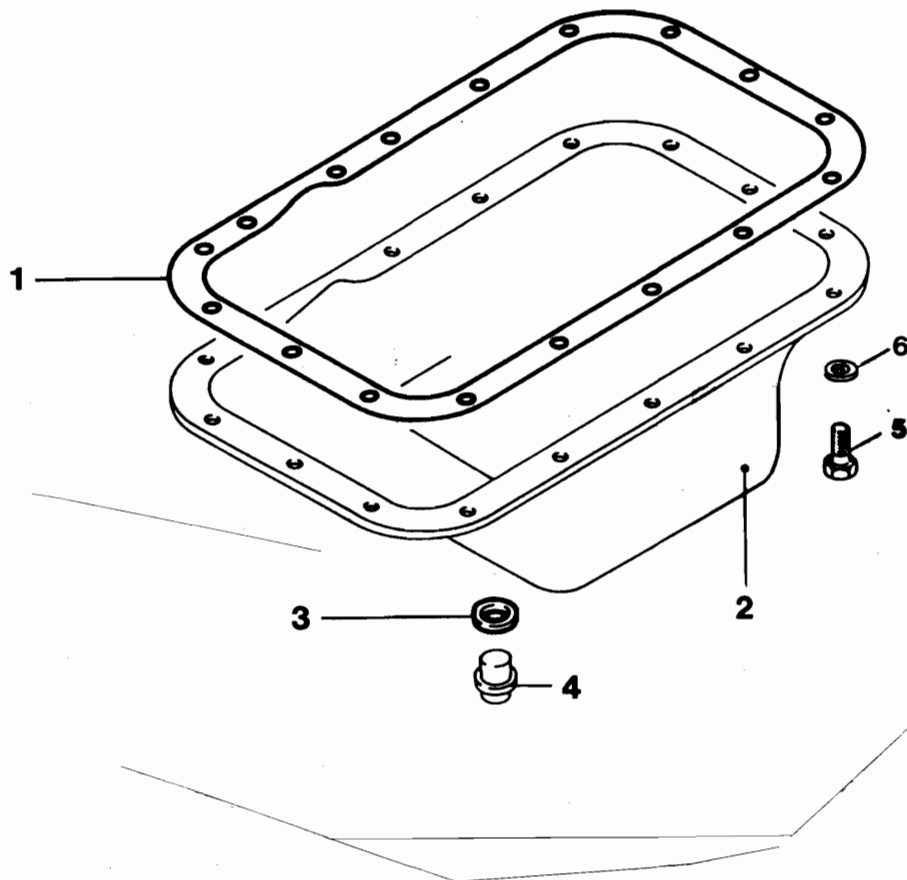
groep/ group	blz./ page	type	omschrijving/description	datum/date
2	11	M4-GLS	Oliepomp Oil pump	22.4.'92



groep/ group 2	blz./ page 12	type M3-GLS M4-GLS	omschrijving/description Carterpan Oil sump	datum/date 22.4.'92
----------------------	---------------------	--------------------------	---	------------------------

pos.	qty	part	benaming	description
1	1	STM3352	Pakking M3	Gasket M3
	1	STM3360	Pakking M4	Gasket M4
2	1	STM3369	Carterpan staal M3	Oil sump steel M3
	1	STM3370	Carterpan staal M4	Oil sump steel M4
3	1	STM3353	Ring	Washer
4	1	STM3035	Plug	Plug
5	15	STM3355	Bout M3	Bolt M3
	17	STM3335	Bout M4	Bolt M4
6	15	STM1019	Ring M3	Washer M3
	17	STM1019	Ring M4	Washer M4

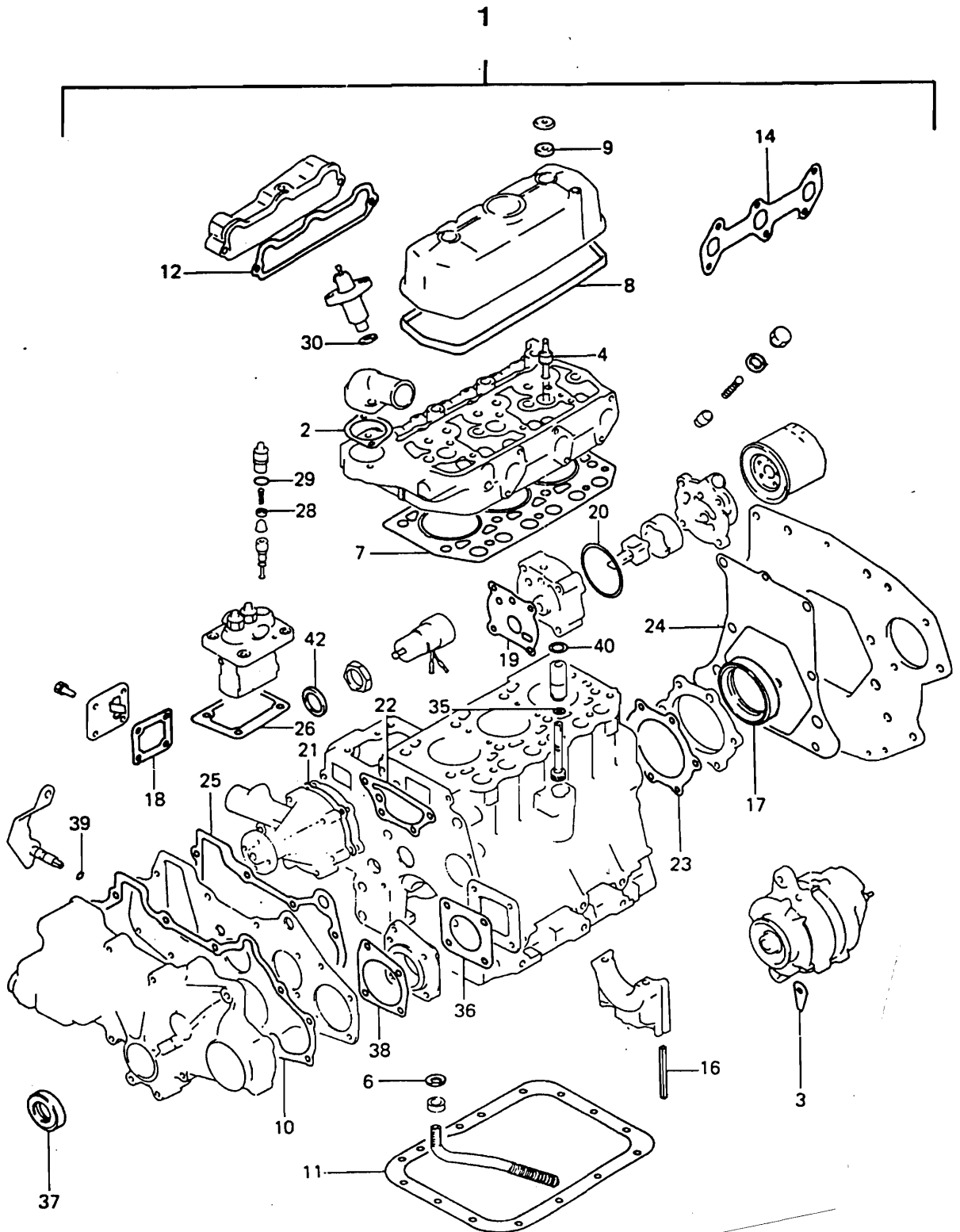
groep/ group	blz./ page	type	omschrijving/description	datum/date
2	12	M3-GLS M4-GLS	Carterpan Oil sump	22.4.'92



groep/ group	blz./ page	type	omschrijving/description	datum/date
2	13	M3-GLS	Pakkingset Gasket set	22.04.'92

pos.	qty	part	benaming	description
1	1	STM2607	Pakking set	Gasket set
2	2	STM3522	Pakking	Gasket
3	2	STM1660	Shim	Shim
4	6	STM2589	Keerring	Seal
6	1	STM2612	Ring	Washer
7	1	STM2539	Cil. koppakking	Gasket cylinderhead
8	1	STM2547	Pakking klepdeksel	Gasket
9	2	STM2543	Ring	Washer
10	1	STM2521	Pakking	Gasket
11	1	STM3352	Pakking	Gasket
12	1	STM2686	Pakking inlaat	Gasket intake
14	1	STM1051	Pakking	Gasket
16	4	STM2493	Pees	Seal
17	1	STM2495	Simmerring	Oil seal
18	1	STM2734	Pakking	Gasket
19	1	STM2658	Pakking oliepom	Gasket oil pump
20	1	STM2655	O-ring	O-ring
22	1	STM2678	Pakking	Gasket
23	1	STM2504	Pakking	Gasket
24	1	STM3393	Pakking achterplaat	Gasket
25	1	STM2506	Pakking	Gasket
26	1	STM2689	Set shims	Shims set
30	3	STM2690	Verstuiverring	Gasket nozzle holder
31	1	STM2664	O-ring	O-ring
35	1	STM2664	O-ring	O-ring
36	1	STM2526	Pakking	Gasket
37	1	STM3559	Simmerring	Oil seal
38	1	STM2523	Pakking	Gasket
39	1	STM2643	O-ring	O-ring
40	1	STM2666	O-ring	O-ring
42	1	STM2741	Pakking	Gasket

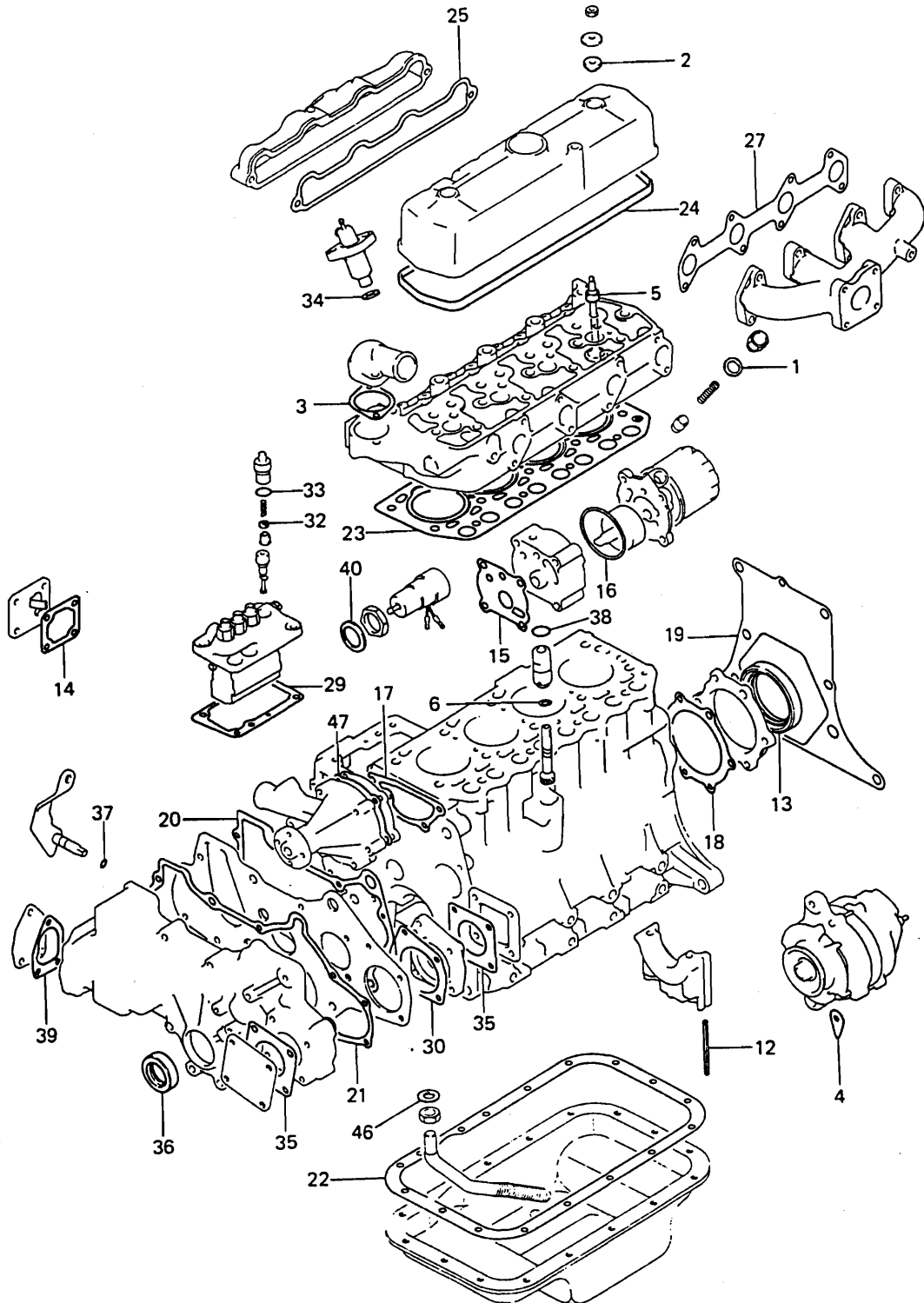
groep/ group	blz./ page	type	omschrijving/description	datum/date
2	13	M3-GLS	Pakkingset Gasket set	22.4.'92



groep/ group 2	blz./ page 14	type M4-GLS	omschrijving/description Pakkingset Gasket set	datum/date 22.4.'92
----------------------	---------------------	--------------------	--	----------------------------

pos.	qty	part	benaming	description
1- 47	1	STM3449	Pakkingset compleet M4	Gasket set complete M4
1	2	STM2649	Pakking	Gasket
2	2	STM2543	Ring	Washer
3	2	STM2679	Pakking	Gasket
4	3	STM1660	Shim	Shim
5	8	STM2589	Keerring	Seal
6	1	STM2664	O-ring	O-ring
12	4	STM2620	Pakking	Gasket
13	1	STM2495	Simmerring	Oil seal
14	1	STM2734	Pakking	Gasket
15	1	STM2658	Pakking oliepomp	Gasket oil pump
16	1	STM2655	O-ring	O-ring
17	1	STM2678	Pakking	Gasket
18	1	STM2504	Pakking	Gasket
19	1	STM2628	Pakking achterplaat	Gasket
20	1	STM2506	Pakking	Gasket
21	1	STM2521	Pakking	Gasket
22	1	STM3360	Carterpakking M4.14	Gasket oil sump M4.14
23	1	STM3395	Koppakking M4	Cylinder head gasket
24	1	STM3397	Pakking klepdeksel	Gasket rocker cover M4
25	1	STM3420	Pakking	Gasket
27	1	STM3421	Uitlaatpakking	Exhaust gasket
29	1	STM3404	Set shims	Shims set
30	1	STM2523	Pakking	Gasket
32	1	STM3450	Pakking	Gasket
33	1	STM3451	O-ring	O-ring
34	4	STM2690	Verstuiverring	Gasket nozzle holder
35	1	STM2526	Pakking	Gasket
36	1	STM2527	Simmerring	Oil seal
37	2	STM2643	O-ring	O-ring
38	1	STM2666	O-ring	O-ring
39	1	STM2531	Pakking	Gasket
40	1	STM2741	Pakking	Gasket
46	2	STM2672	Pakking	Gasket
47	2	STM2682	Pakking	Gasket water pump

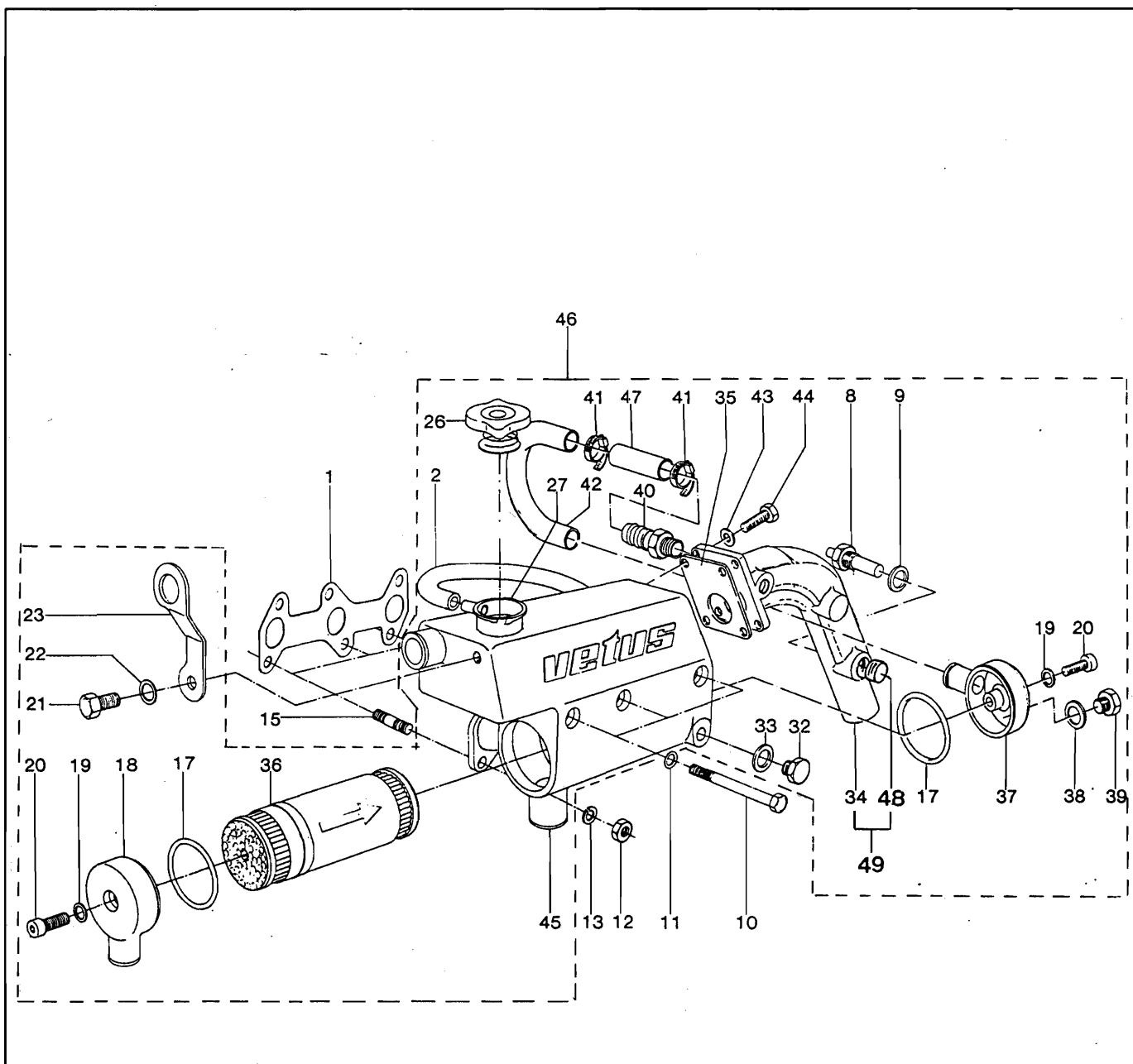
groep/ group	blz./ page	type	omschrijving/description	datum/date
2	14	M4-GLS	Pakkingset Gasket set	22.4.'92



groep/ group 3	blz./ page 1	type M3-GLS	omschrijving/description W.Wisselaarhuis-Uitlaatspruitstuk Heat exchanger housing-Manifold	datum/date 22.4.'92
----------------------	--------------------	--------------------	--	----------------------------

pos.	qty	part	benaming	description
1	1	STM1051	Pakking	Gasket
2	1	STM1027	Slang	Hose
3	1	STM1017	Vuldop	Filling cap
4	1	STM1551	Huis	Housing
8	1	STM2006	Thermocontact	Thermo switch
9	1	STM2019	Ring	Washer
10	3	STM1055	Bout	Bolt
11	3	STM1019	Veerring	Washer
12	3	STM2005	Moer	Nut
13	3	STM1056	Veerring	Washer
14	1	STM1060	Rubber ring	Rubber seal
15	3	STM2003	Tapeind	Stud
17	1	STM1005	O-ring	O-ring
18	1	STM1053	Deksel	Cover
19	1	STM1007	Ring	Washer
20	1	STM1057	Bout	Bolt
21	1	STM7010	Bout	Bolt
22	1	STM1056	Veerring	Washer
23	1	STM1058	Hijsoog	Lift eye
25	1	STM1062	Ring	Washer
26	1	STM9507	Vuldop "do not open"	Filling cap "do not open"
27	1	STM1515	Vulnek compleet M36	Filling neck complete M36
32	1	STM3035	Plug	Plug
33	1	STM3353	Ring	Washer
34	1	STM3049	Uitlaatinjectiebocht ϕ 40	Exhaust injection pipe ϕ 40
35	1	STM3046	Pakking	Gasket
36	1	STM3050	Warmtewisselaar M3-87	Heat exchanger M3-87
37	1	STM3048	Deksel	Cover
38	1	STM1062	Ring	Ring
39	1	STM1059	Plug	Plug
40	1	STM7061	Slangpilaar	Hose pillar
41	1	STM2012	Slangklem	Hose Clamp
42	1	STM3892	Pijp	Pipe
43	4	STM1056	Veerring	Washer
44	4	STM1610	Bout	Bolt
45	1	STM3895	Warmtewisselaarhuis M3-87	Heat exchanger housing M3-87
46	1	STM3896	Warmtewisselaarhuis compl.	Heat exchanger housing compl.
47	2	STM7062	Slang	Hose
48	3	STM3071	Plug 3/8" BSPT	Plug
49	1	STM3076	Inj. bocht + pluggen 48+34	Injection pipe+plugs 48+34

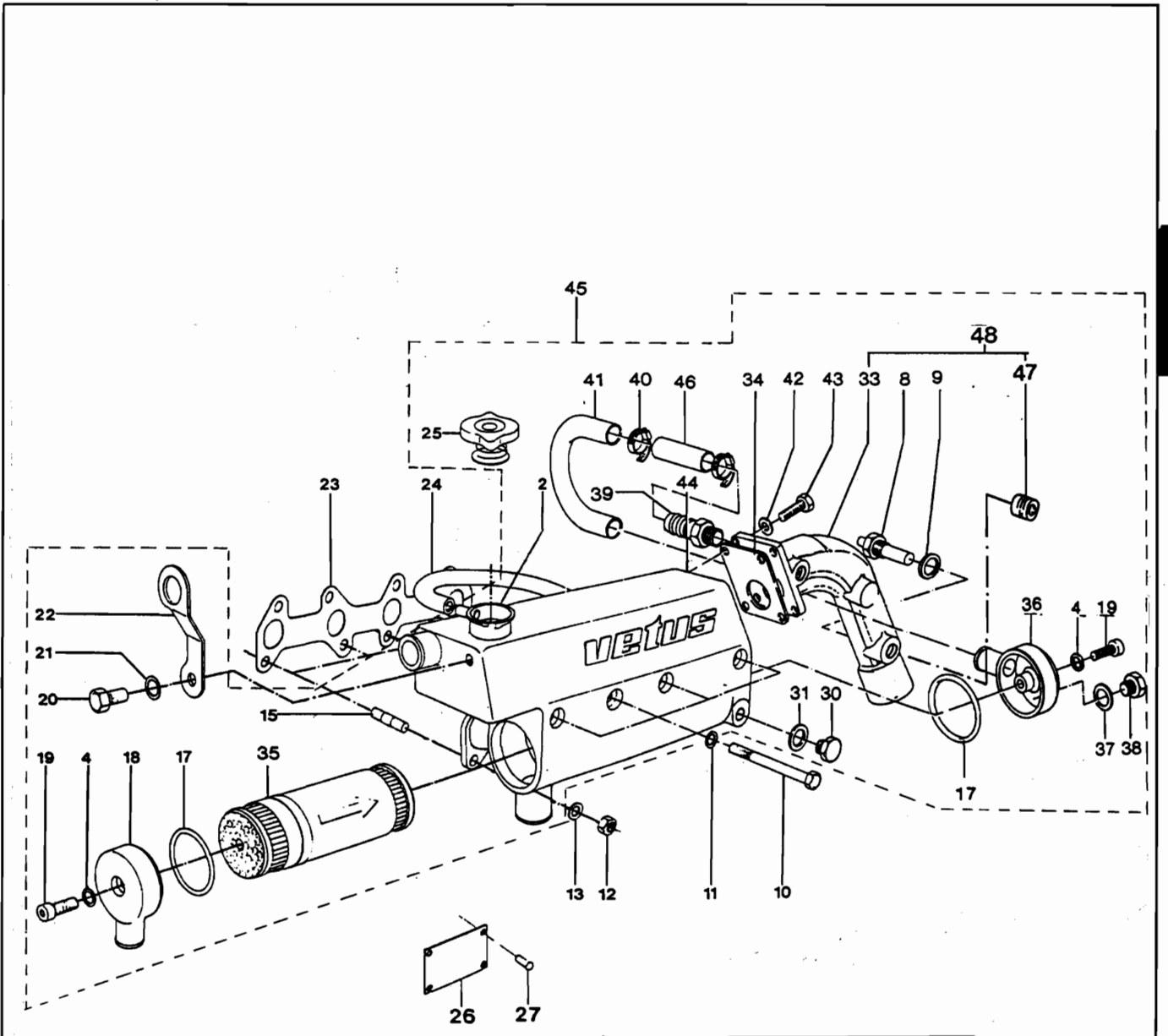
groep/ group	blz./ page	type	omschrijving/description	datum/date
3	1	M3-GLS	W.Wisselaarhuis-Uitlaatspruitstuk Heat exchanger housing-Manifold	22.4.'92



groep/ group 3	blz./ page 2	type M4-GLS	omschrijving/description W.wisselaarhuis-uitlaatspruitstuk Heat exchanger-Exh. manifold	datum/date 22.4.'92
----------------------	--------------------	--------------------	---	----------------------------

pos.	qty	part	benaming	description
2	1	STM1515	Vulnek compleet M36	Filling neck complete M36
4	1	STM1007	Ring	Washer
8	1	STM2006	Thermocontact	Thermo switch
9	1	STM2019	Ring	Washer
10	4	STM1055	Bout	Bolt
11	4	STM1019	Veerring	Washer
12	4	STM2005	Moer	Nut
13	4	STM1056	Veerring	Washer
15	4	STM2003	Tapeind	Stud
17	1	STM1005	O-ring	O-ring
18	1	STM1053	Deksel	Cover
19	1	STM1057	Bout	Bolt
20	1	STM7010	Bout	Bolt
21	1	STM1056	Veerring	Washer
22	1	STM1058	Hijsoog	Lift eye
23	1	STM3043	Uitlaatpakking M4-GLS	Exhaust gasket M4-GLS
24	1	STM1027	Slang	Hose
25	1	STM1017	Vuldop 280 4 LBS	Filling cap 4 LBS
26	1	STM1054	Type plaatje	Type plate
27	4	STM1061	Kerfnagel	Nail
30	1	STM3035	Plug	Plug
31	1	STM3353	Ring	Ring
33	1	STM3049	Uitlaat injectiebocht ϕ 40mm	Exhaust injectionpipe ϕ 40mm
34	1	STM3046	Pakking	Gasket
35	1	STM3047	Warmtewisselaar M4	Heat exchanger M4
36	1	STM3048	Deksel	Cover
37	1	STM1062	Ring	Ring
38	1	STM1059	Plug	Plug
39	1	STM7061	Slangpilaar	Hose pillar
40	2	STM2012	Slangklem	Hose clamp
41	1	STM3892	Pijp	Pipe
42	4	STM1056	Ring	Ring
43	4	STM1610	Bout	Bolt
44	1	STM3890	Warmtewisselaarhuis M4-87	Heat exchanger housing M4-87
45	1	STM3891	Warmtewisselaarhuis cpl87	Heat exchanger housing cpl87
46	2	STM7062	Slang	Hose
47	3	STM3071	Plug 3/8" BSPT	Plug 3/8" BSPT
48	1	STM3076	Inj. bocht+pluggen 47+33	Injection pipe+plugs 47+33

groep/ group	blz./ page	type	omschrijving/description	datum/date
3	2	M4-GLS	W.wisselaarhuis-Uitlaatspruitstuk Heat exchanger-Exhaust manifold	22.4.'92

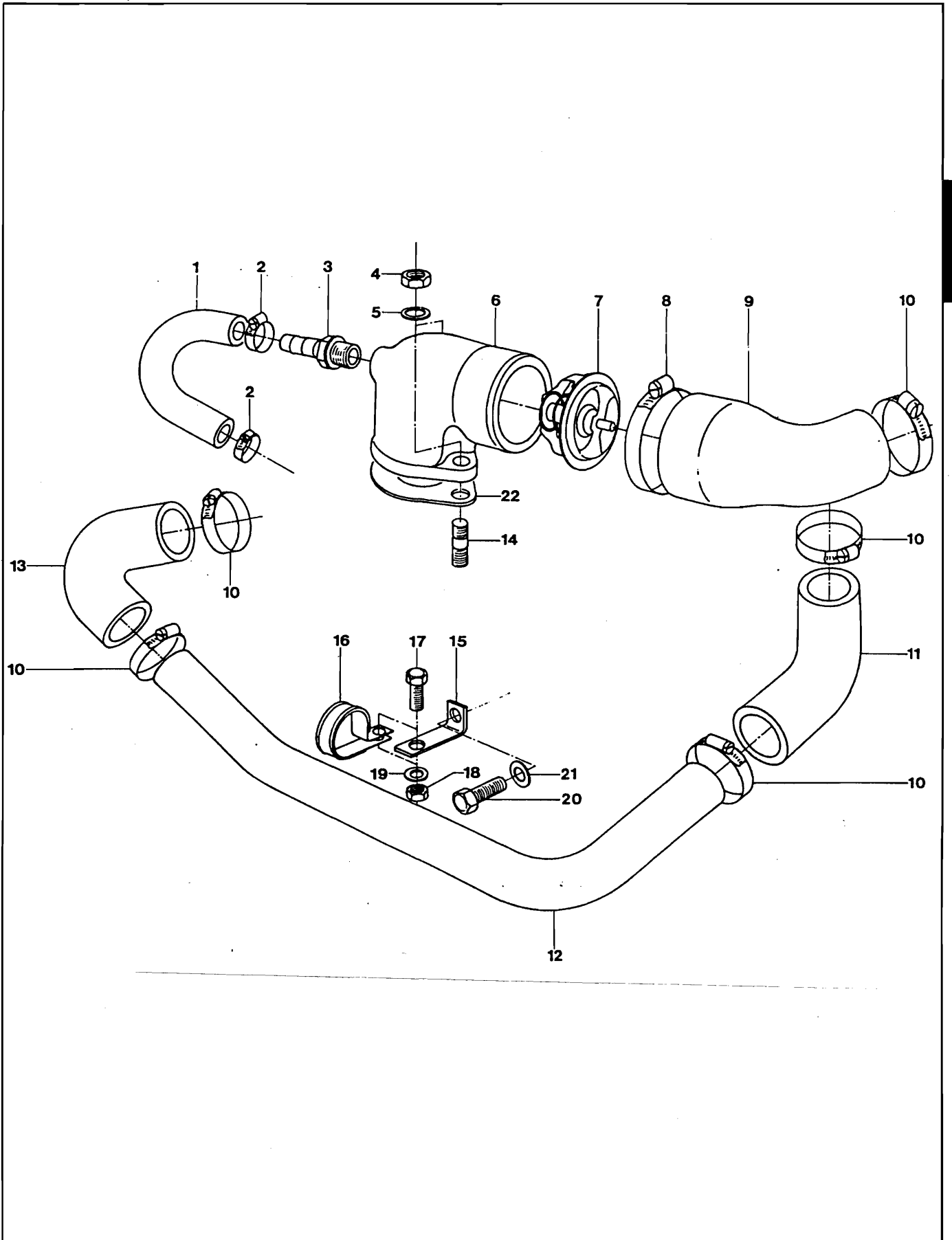


3

groep/ group 3	blz./ page 3	type M3-GLS M4-GLS	omschrijving/description Pijpen en Slangen Tubes and hoses	datum/date 22.4.'92
----------------------	--------------------	--------------------------	--	------------------------

pos.	qty	part	benaming	description
1	1	STM3054	Slang	Hose
2	2	STM3056	Slangklem	Hose clamp
3	1	STM3057	Slangpilaar	Hose pillar
4	2	STM2005	Moer	Nut
5	2	STM1019	Veerring	Washer
6	1	STM3051	Thermostaathuis	Thermostate housing
7	1	STM3058	Thermostaat	Thermostate
8	2	STM3006	Slangklem	Hose clamp
9	1	STM3052	Slangbocht	Rubber bend
10	5	STM3005	Slangklem	Hose clamp
11	1	STM3009	Rubber bocht	Rubber bend
12	1	STM3055	Pijp	Pipe
13	1	STM3053	Slangbocht	Hose bend
14	2	STM3060	Tapeind	Stud
15	1	STM3059	Steun	Support
16	1	STM3061	Leidingklem	Clamp
17	1	STM1024	Bout	Bolt
18	1	STM3260	Moer	Nut
19	1	STM1025	Ring	Washer
20	1	STM4055	Bout	Bolt
21	1	STM1056	Veerring	Washer
22	1	STM3522	Pakking	Gasket

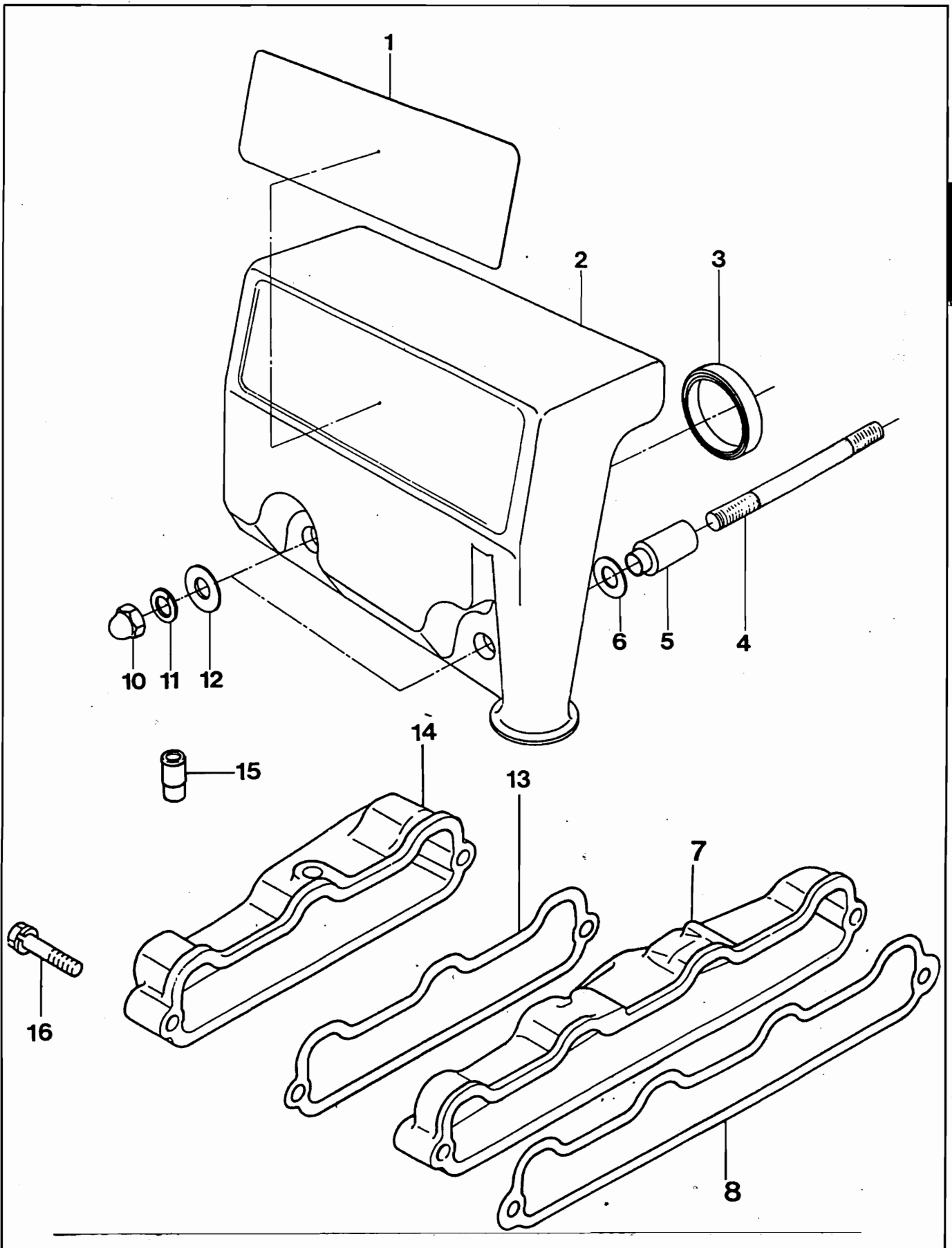
groep/ group	blz./ page	type	omschrijving/description	datum/date
3	3	M3-GLS M4-GLS	Pijpen en Slangen Tubes and hoses	22.4.'92



groep/ group 3	blz./ page 4	type M3-GLS M4-GLS	omschrijving/description Luchtinlaat spruitstuk Air intake manifold	datum/date 22.4.'92
----------------------	--------------------	--------------------------	---	------------------------

pos.	qty	part	benaming	description
1	1	STM3254	Plakker	Sticker
2	1	STM3251	Luchtinlaat kast	Intake silencer
3	1	STM3252	Rubber manchet	Rubber sleeve
4	2	STM3256	Draadeind	Stud
5	2	STM3253	Afstandbus	Bush
6	2	STM3258	Ring	Washer
7	1	STM3419	Inlaatdeksel M4	Air intake M4
8	1	STM3420	Pakking	Gasket
10	2	STM3257	Dopmoer	Cap nut
11	2	STM1019	Ring	Washer
12	2	STM1653	Ring	Washer
13	1	STM2686	Pakking inlaat	Gasket intake
14	1	STM2684	Inlaatdeksel M3-GLS	Air intake M3-GLS
15	1	STM2685	Pijpje	Pipe
16	1	STM2261	Bout	Bolt

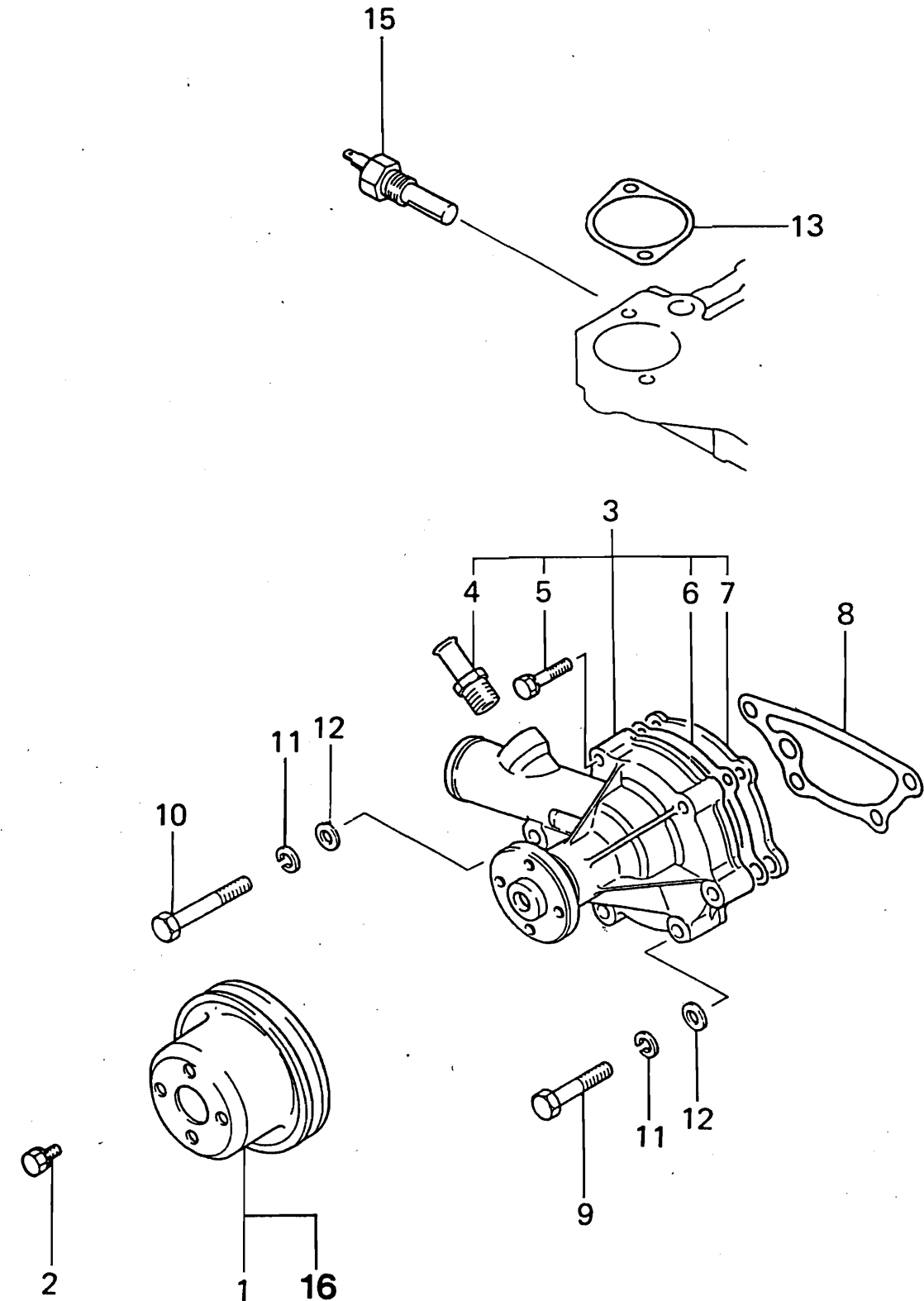
groep/ group	blz./ page	type	omschrijving/description	datum/date
3	4	M3-GLS M4-GLS	Luchtinlaat spruitstuk Air intake manifold	22.4.'92



groep/ group 3	blz./ page 5	type M3-GLS M4-GLS	omschrijving/description Circulatiepomp Fresh water pump	datum/date 22.4.'92
----------------------	--------------------	--------------------------	--	------------------------

pos.	qty	part	benaming	description
1	1	STM2676	Pulley waterpomp	Pulley waterpomp
2	4	STM1024	Bout	Bolt
3	1	STM2677	Waterpomp compleet	Water pump complete
4	1	STM2681	Nippel	Nipple
5	2	STM2260	Bout	Bolt
6	1	STM2682	Pakking waterpomp	Gasket water pump
7	1	STM2683	Plaat waterpomp	Plate water pump
8	1	STM2678	Pakking	Gasket
9	3	STM2258	Bout	Bolt
10	1	STM2259	Bout	Bolt
11	4	STM1056	Veerring	Washer
12	4	STM1653	Ring	Ring
13	2	STM3522	Pakking	Gasket
15	1	STM2680	Thermocontact	Thermo switch
16	1	STM3422	Pulley waterpomp M4	Pulley water pump M4

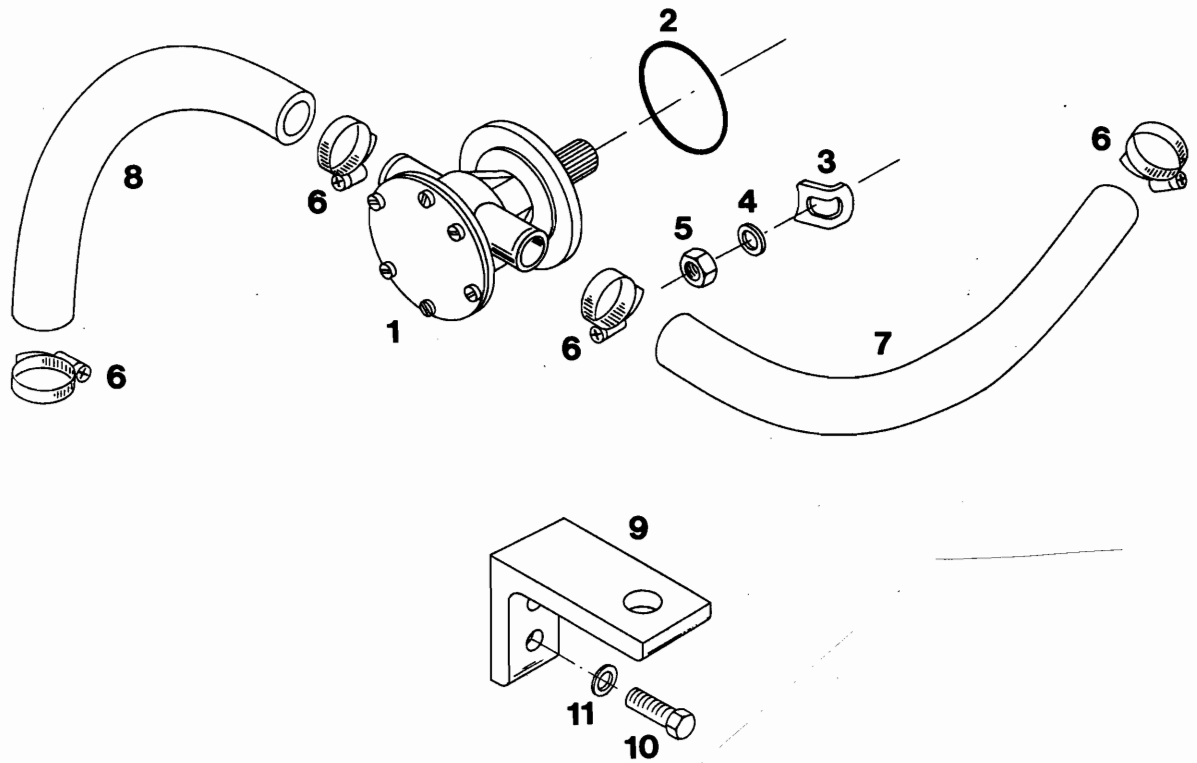
groep/ group	blz./ page	type	omschrijving/description	datum/date
3	5	M3-GLS M4-GLS	Circulatiepomp Fresh water pump	22.4.'92



groep/ group 3	blz./ page 6	type M3-GLS M4-GLS	omschrijving/description Buitenboordwaterpomp assemblage Seawaterpump assy	datum/date 22.4.'92
----------------------	--------------------	--------------------------	--	------------------------

pos.	qty	part	benaming	description
1	1	STM8082	Buitenboordwater pomp	Seawaterpump
2	1	STM6127	O-ring	O-ring
3	2	STM6126	Kikkerplaatje	Clamp complete
4	2	STM3749	Ring	Ring
5	2	STM2005	Moer	Nut
6	4	STM2012	Slangklem	Hose clamp
7	1	STM3074	Slang ϕ 20 L 0,40 mtr	Hose ϕ 20 L 0,40 m
8	1	STM3077	Slang ϕ 20 L 0,40 mtr	Hose ϕ 20 L 0,40 m
9	2	STM3495	Motorsteun verhoogd	Engine support high
10	4	STM7053	Bout	Bolt
11	4	STM4056	Ring	Ring

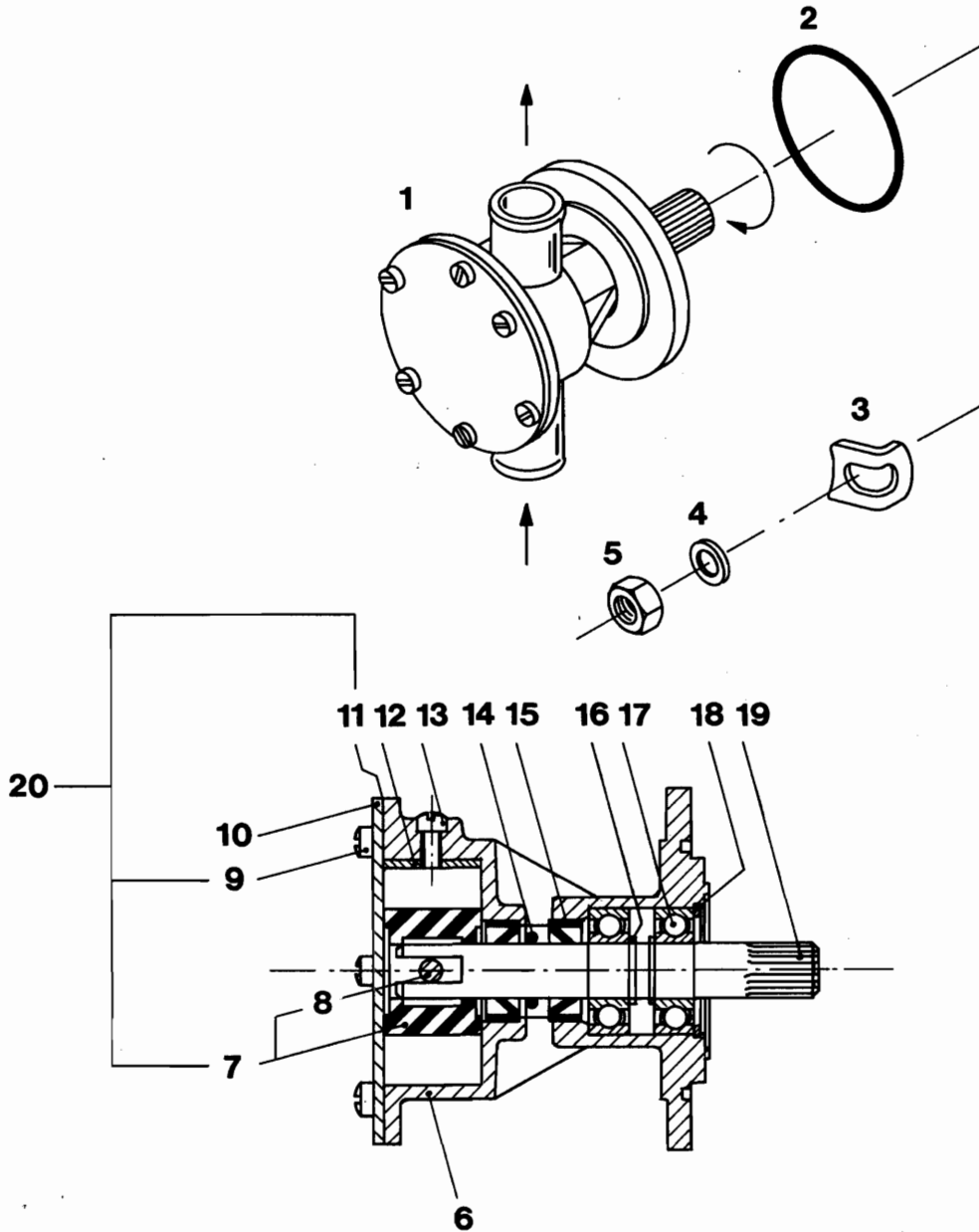
groep/ group	blz./ page	type	omschrijving/description	datum/date
3	6	M3-GLS M4-GLS	Buitenboordwaterpomp assemblage Seawaterpump assy	22.4.'92



groep/ group 3	blz./ page 7	type M3-GLS M4-GLS	omschrijving/description Zeewaterpomp Seawaterpump	datum/date 22.4.'92
----------------------	--------------------	--------------------------	--	------------------------

pos.	qty	part	benaming	description
1	1	STM8082	Pomp full-cam	Pump full-cam
2	1	STM6127	O-ring	O-ring
3	2	STM6126	Kikkerplaatje	Clamp plate
4	2	STM3749	Ring	Washer
5	2	STM2005	Moer M8	Nut M8
6	1	STM6160	Huis	Housing
7	1	STM8061	Waaier	Impeller
8	1	STM6162	Schroef	Scres
9	6	STM6163	Schroef	Screw
10	1	STM6164	Deksel	Cover
11	1	STM6165	Pakking	Gasket
12	1	STM8083	Kam 1/1	Cam 1/1
13	1	STM6167	Schroef	Screw
14	1	STM6168	O-ring	O-ring
15	2	STM6169	Keerring	Lip seal
16	2	STM6170	Borgring	Retaining ring
17	2	STM6171	Lager	Bearing
18	1	STM6172	Borgring	Retaining ring
19	1	STM6173	As	Shaft
20	1	STM6174	Rep. set 7 + 11	Repair kit 7 + 11

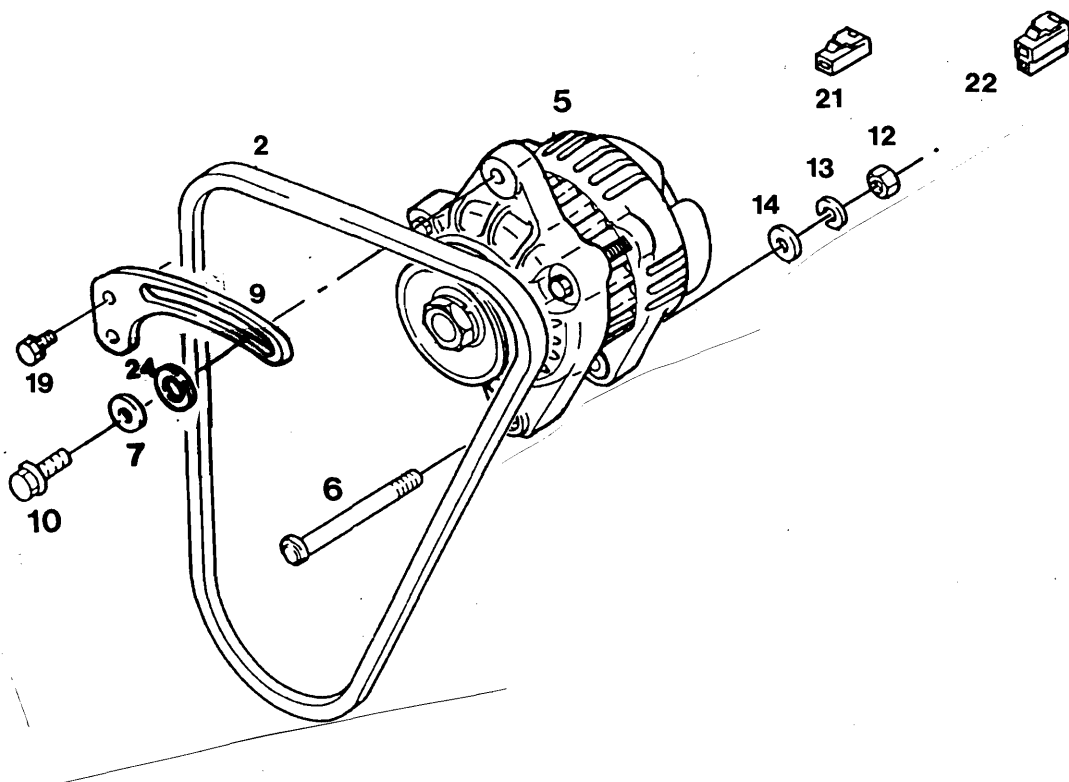
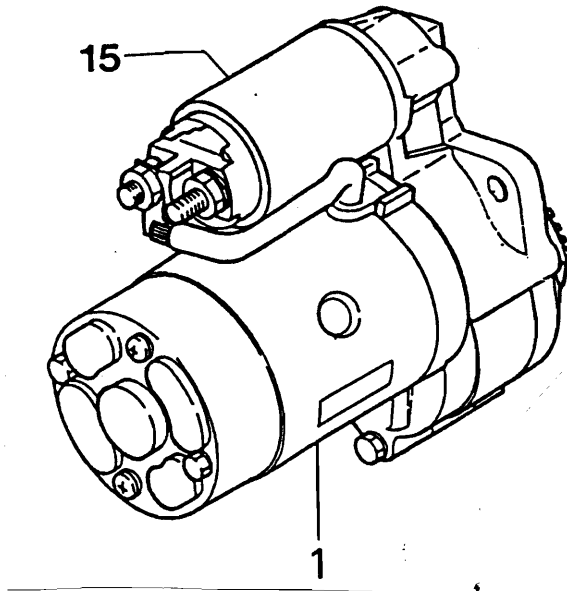
groep/ group	blz./ page	type	omschrijving/description	datum/date
3	7	M3-GLS M4-GLS	Zeewaterpomp Seawaterpump	22.4.'92



groep/ group 4	blz./ page 1	type M3-GLS M4-GLS	omschrijving/description Startmotor en alternator Starter motor and alternator	datum/date 22.4.'92
----------------------	--------------------	--------------------------	--	------------------------

pos.	qty	part	benaming	description
1	1	STM2762	Startmotor 12V	Starter 12V
2	1	STM7369	V-snaar	V-belt
5	1	STM1243	Alternator 12V - 40 Amp	Alternator 12V - 40 Amp
6	1	STM1620	Bout	Bolt
7	1	STM1056	Veerring	Washer
8	2	STM1654	Afstandbus	Bush
9	1	STM1652	Spansteun	Tension support
10	1	STM2261	Bout	Bolt
12	1	STM2005	Moer	Nut
13	1	STM1056	Veerring	Washer
14	1	STM1653	Ring	Washer
15	1	STM2743	Startrelais	Starter relay
21	1	STM3482	Stekker 1-polig	Connector 1 pole
22	1	STM3483	Stekker 2-polig	Connector 2 pole
24	1	STM3749	Sluitring M8	Washer M8

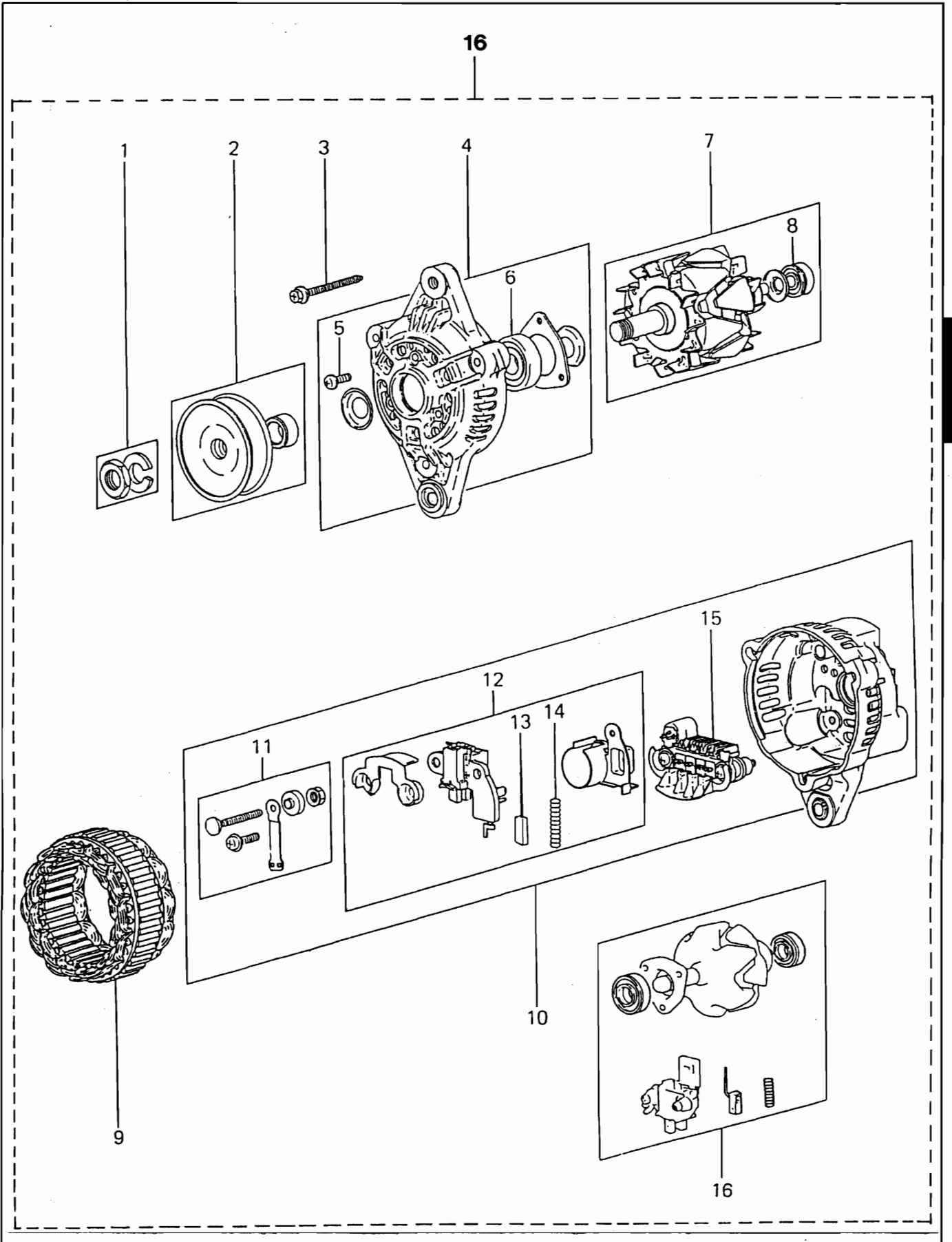
groep/ group	blz./ page	type	omschrijving/description	datum/date
4	1	M3-GLS M4-GLS	Startmotor en alternator Starter motor and alternator	22.4.'92



groep/ group 4	blz./ page 2	type M3-GLS M4-GLS	omschrijving/description Dynamo Alternator	datum/date 22.4.'92
----------------------	--------------------	--------------------------	--	------------------------

pos.	qty	part	benaming	description
1	1	STM1272	Moer set	Nut set
2	1	STM1273	Pulley set	Pulley set
3	1	STM1274	Bout set	Bolt set
4	1	STM1275	Voordeksel cpl.	Bracket assy
5	1	STM1276	Set schroeven	Screw set
6	1	STM1277	Lager	Bearing
7	1	STM1278	Rotor	Rotor assy
8	1	STM1279	Lager	Bearing
9	1	STM1280	Stator	Stator assy
10	1	STM1281	Achterdeksel cpl.	Bracket
11	1	STM1282	Aansluitklem	Terminal set
12	1	STM1283	Regulator	Regulator assy
13	2	STM1284	Borstel	Brush
14	2	STM1285	Veer	Spring
15	1	STM1286	Diodebrug	Rectifier assy
16	1	STM1243	Dynamo 12V-40A	Alternator assy 12V-40A

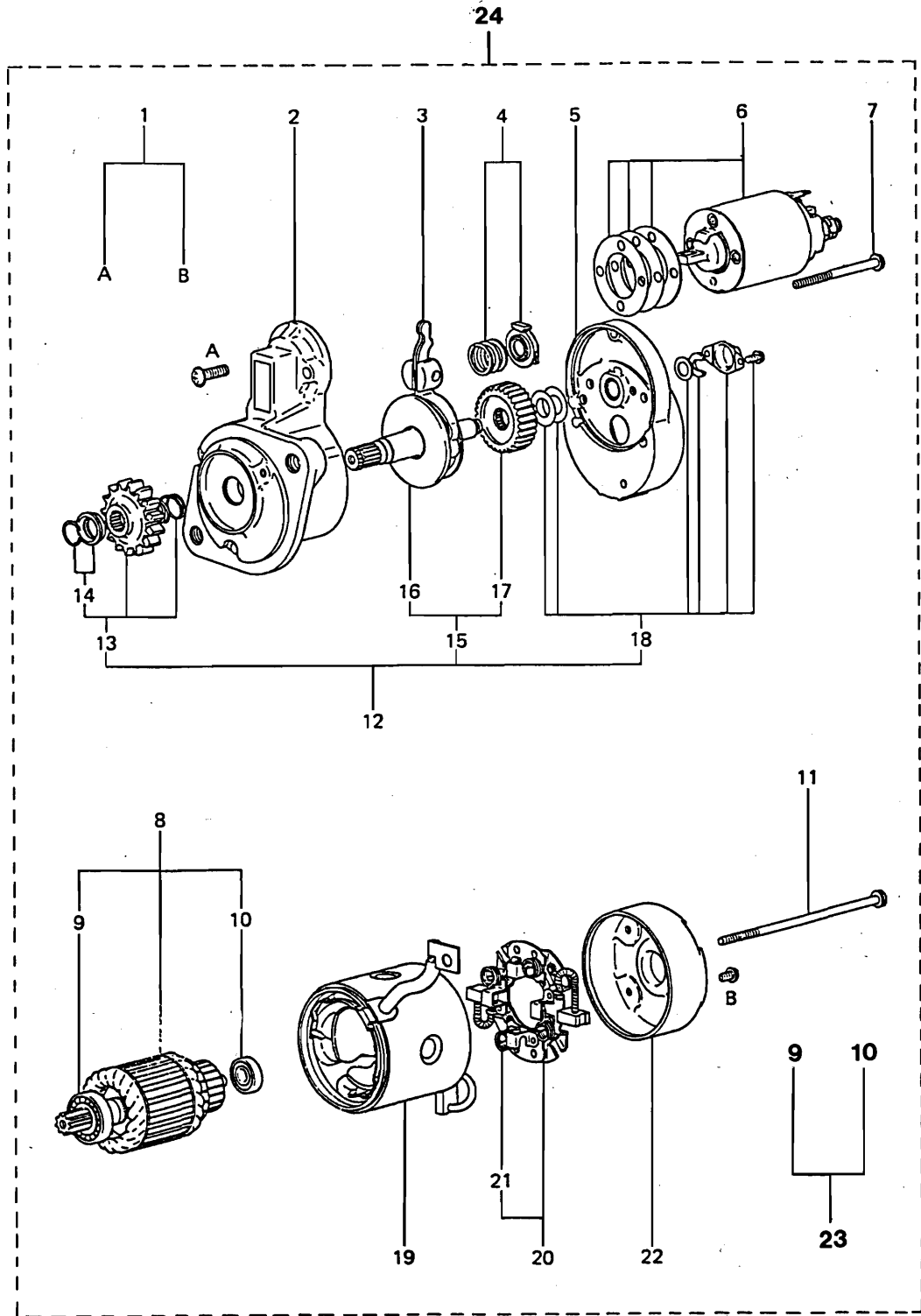
groep/ group	blz./ page	type	omschrijving/description	datum/date
4	2	M3-GLS M4-GLS	Dynamo Alternator	22.4.'92



groep/ group 4	blz./ page 3	type M3-GLS M4-GLS	omschrijving/description Startmotor Startermotor	datum/date 22.4.'92
----------------------	--------------------	--------------------------	--	------------------------

pos.	qty	part	benaming	description
1	1	STM3276	Bout	Bolt
2	1	STM3277	Schild	Bracket
3	1	STM3278	Hefboom	Lever
4	1	STM3279	Veer	Spring
5	1	STM3280	Bracket	Bracket
6	1	STM3217	Relais	Relay
7	1	STM3281	Bout	Bolt
8	1	STM3213	Rotor	Armature
9	1	STM3282	Lager	Bearing
10	1	STM3283	Lager	Bearing
11	1	STM3284	Bout	Bolt
12	1	STM3210	As	Shaft
13	1	STM3212	Pinion set	Pinion set
14	1	STM3285	Stopper set	Stopper set
15	1	STM3211	Tandwielset	Gear set
16	1	STM3286	As	Shaft
17	1	STM3287	Tandwiel	Gear
18	1	STM3288	Deksel set	Cover set
19	1	STM3214	Huis	Yoke
20	1	STM3215	Borstelhouder	Brush holder
21	1	STM3216	Veer	Spring
22	1	STM3289	Drager	Bracket
23	1	STM3290	Reparatie set	Service kit
24	1	STM2762	Startmotor cpl.	Start motor cpl.

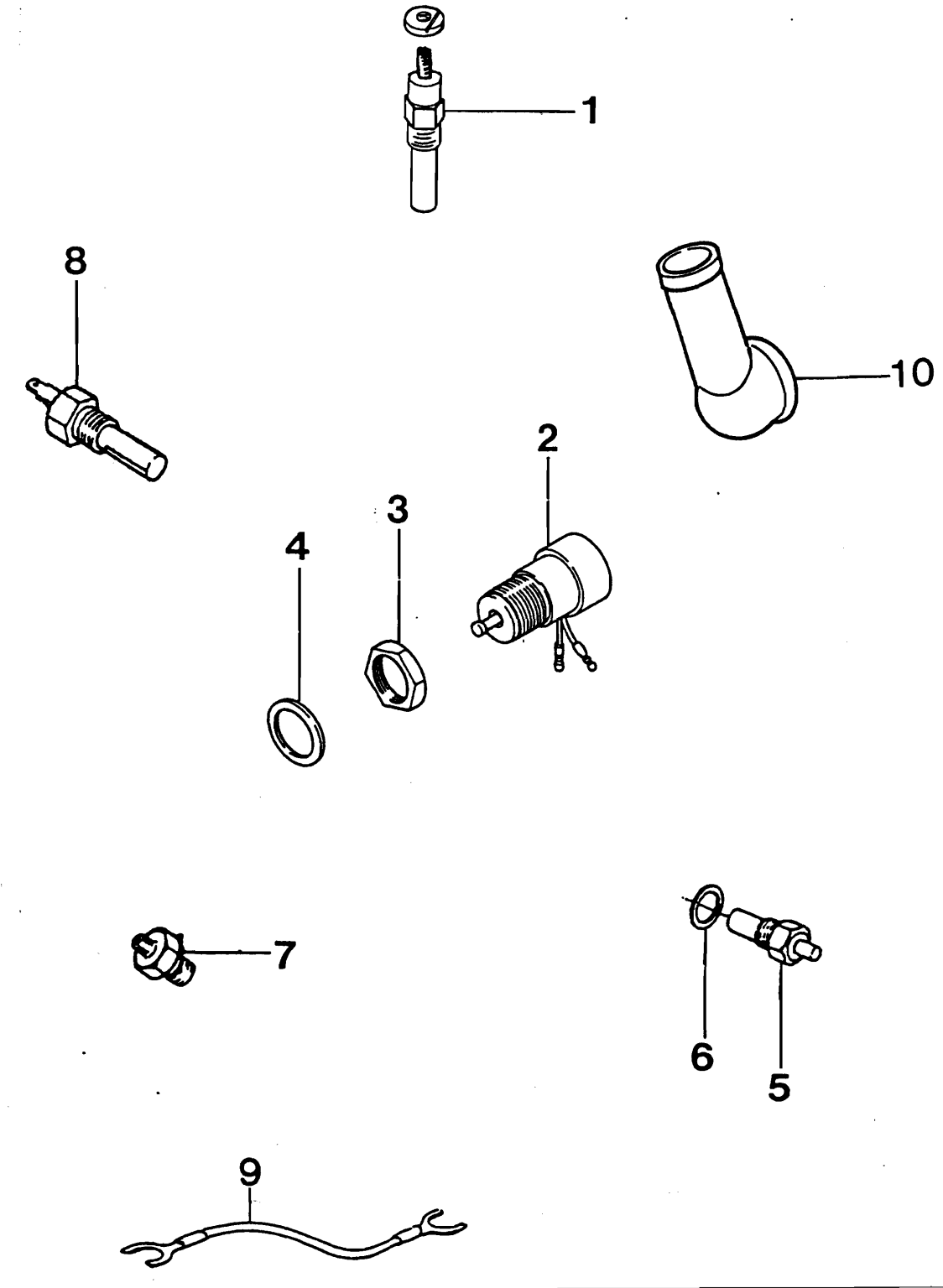
groep/ group	blz./ page	type	omschrijving/description	datum/date
4	3	M3-GLS M4-GLS	Startmotor Startermotor	22.4.'92



groep/ group 4	blz./ page 4	type M3-GLS M4-GLS	omschrijving/description Zenders Sender units	datum/date 22.4.'92
----------------------	--------------------	--------------------------	---	------------------------

pos.	qty	part	benaming	description
1	3	STM1658	Gloeispiraal M3/M4	Spiral filament M3/M4
2	1	STM2740	Stopmagneet	Solenoid
3	1	STM2742	Moer	Nut
4	1	STM2741	Pakking	Gasket
5	1	STM2006	Thermocontact M18x1,5 M3/M4	Thermo switch M18x1,5 M3/M4
6	1	STM2019	Ring	Washer
7	1	STM2675	Oliedrukschakelaar M3,M4 G1/8"	Oilpressure switch M3/M4 G1/8"
8	1	STM2680	Thermocontact M3/M4 G 3/8"	Thermo switch M3/M4 G3/8"
9	2	STM1659	Draad gloeispiraal M3/M4	Wire spiral filament M3/M4
10	1	STM2387	Rubber kap	Rubber cap
16	1	STM3650	Rubberkap	Rubber cap

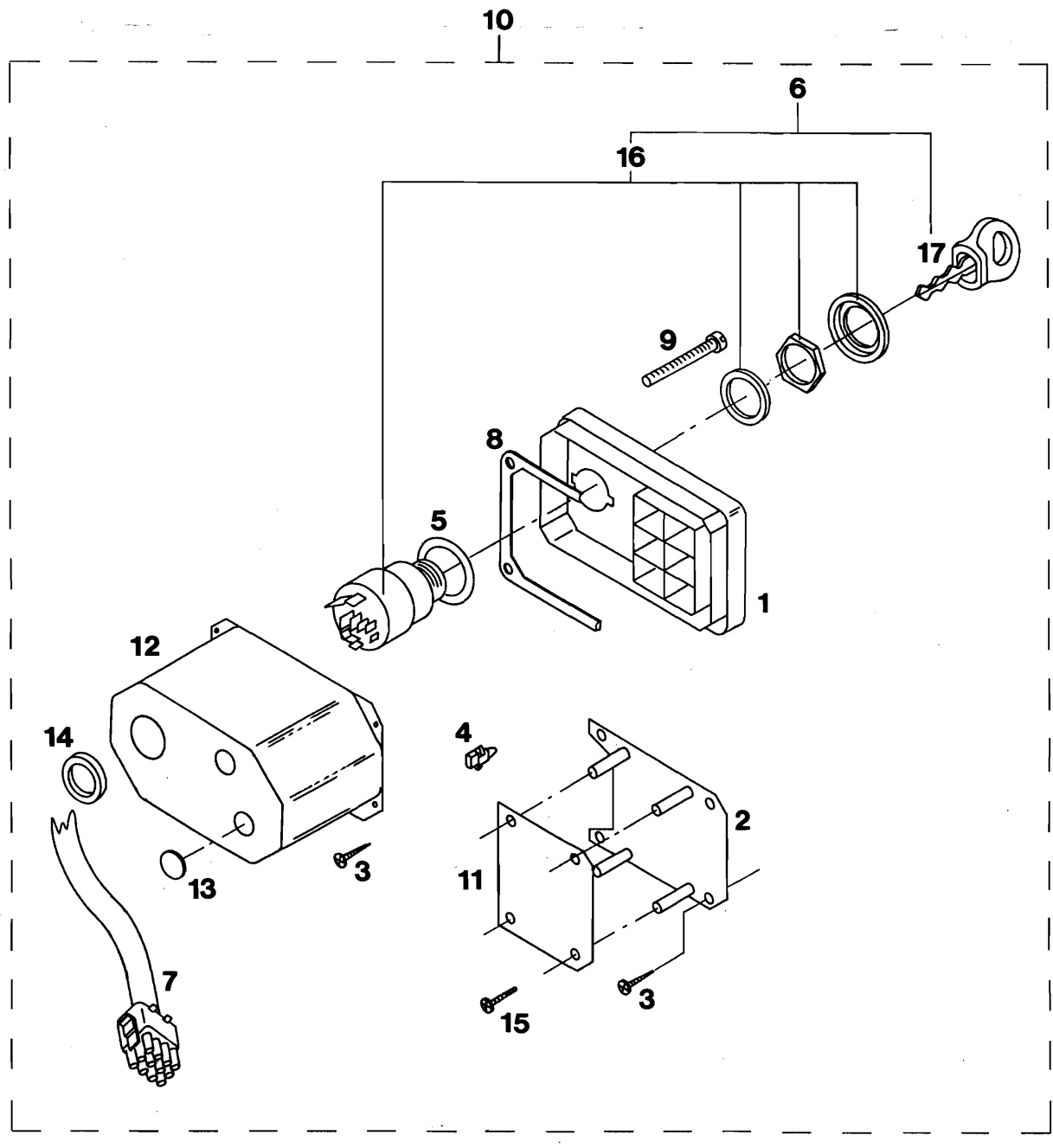
groep/ group	blz./ page	type	omschrijving/description	datum/date
4	4	M3-GLS M4-GLS	Zenders Sender units	22.4.'92



groep/ group 4	blz./ page 5	type M3-GLS M4-GLS	omschrijving/description Instr. paneel "GEN SET" Instr. panel "GEN SET"	datum/date 22.4.'92
----------------------	--------------------	--------------------------	---	------------------------

pos.	qty	part	benaming	description
1	1	STM7252	Paneel	Panel
2	1	STM7250	Print cpl. "waarsch. lampen"	Print cpl. "warning lights"
3	8	P2295RKP	Plaatschroef	Screw
4	6	STM9169	Gloeilamp	Bulb
5	1	STM9172	Pakking	Gasket
6	1	STM9215	Contactsloot + sleutel	Ignition switch + key
7	1	STM7253	Paneelbedrading	Panel wiring
8	1	STM9068	Pakking	Gasket
9	4	P35254ZKP	Plaatschroef	Screw
10	1	STM7256	Instr. paneel Gen set cpl.	Instr. panel Gen set cpl.
11	1	STM7251	Print cpl. "controller"	Print cpl. "controller"
12	1	STM7257	Beschermkap	Cover
13	2	STM7254	Trekontlasting	Pull relief
14	1	STM7255	Doorvoertule	Protector
15	1	BO3084RK	Schroef M3x8	Screw M3x8
16	1	STM9213	Contactsloot	Ignition lock
17	1	STM9214	Sleutel	Key

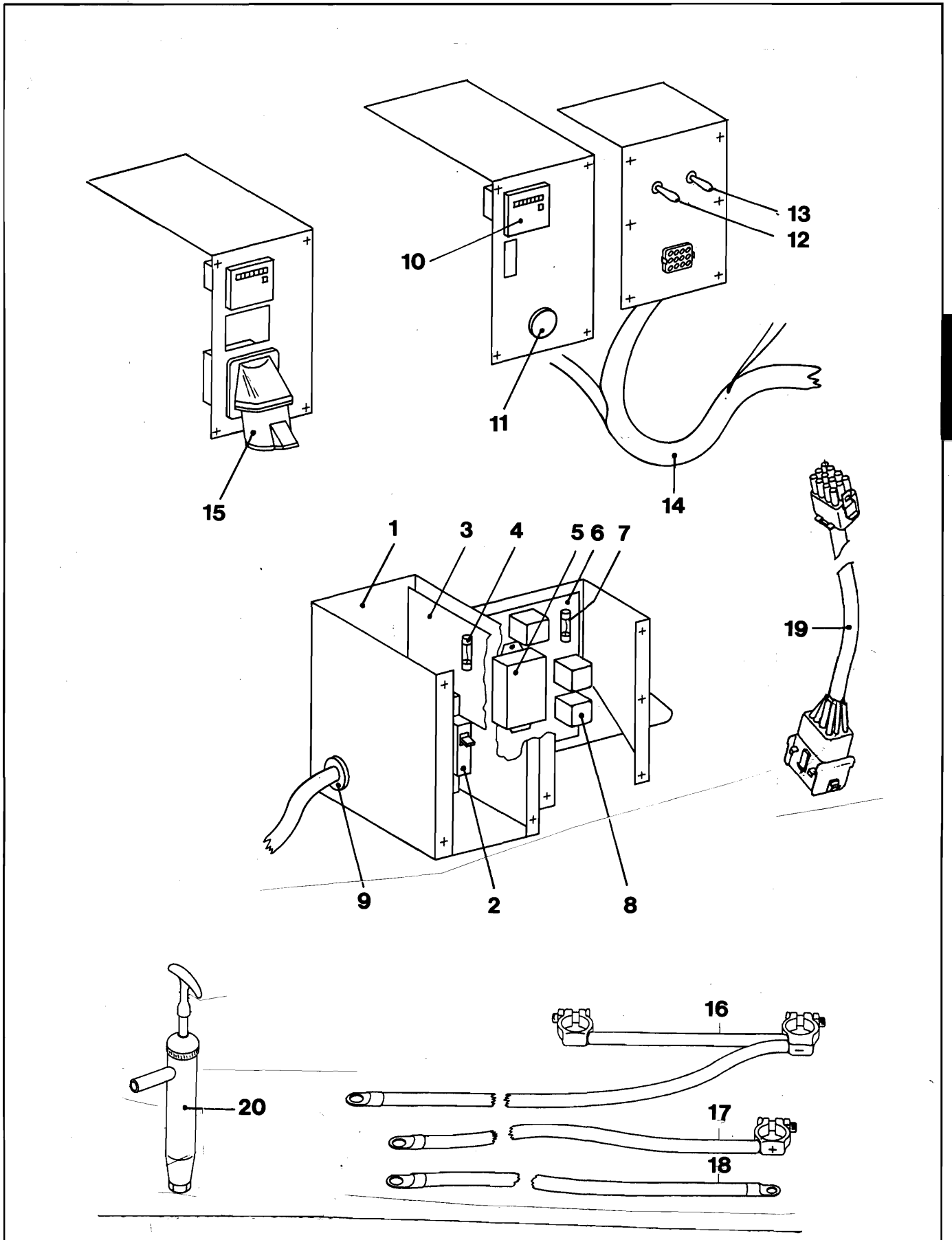
groep/ group	blz./ page	type	omschrijving/description	datum/date
4	5	M3-GLS M4-GLS	Instr. paneel "GEN SET" Instr. panel "GEN SET"	22.4.'92



groep/ group	blz./ page	type	omschrijving/description	datum/date
4	6	M3-GLS M4-GLS	Bedradingskast 6-12 KVA 50/60 Hz Wiringbox 6-12 KVA 50/60 Hz	22.4.'92

pos.	qty	part	benaming	description
1	1	STM7354	Kast	Box
2	1	STM7355	Autom. zekering 25A 1p 6kVA 50 Hz	Circuitbreaker 25A 1p 6kVA 50 Hz
		STM7356	Autom. zekering 20A 3p 12kVA 50 Hz	Circuitbreaker 20A 3p 12 kVA 50 Hz
		STM7357	Autom. zekering 38A 1p 10kVA 50 Hz	Circuitbreaker 38A 1p 10kVA 50 Hz
		STM7358	Autom. zekering 38A 2p 12kVA 60 Hz	Circuitbreaker 38A 2p 12kVA 60 Hz
		STM7359	Autom. zekering 25A 2p 7,5kVA 60 Hz	Circuitbreaker 25A 2p 7,5kVA 60 Hz
3	1	STM7315	Print AVR	PCB AVR
4	1	STM7264	Zekering 250V 6,3A	Fuse 250V 6,3A
5	1	STM6253	Stoptimer	Stoptimer
6	1	STM7318	Print motor control	PCB engine control
7	1	STM7263	Zekering 250V 10A	Fuse 250V 10A
8	3	STM9050	Relais	Relay
9	1	STM7360	Tule	Protection
10	1	STM7361	Urenteller 50 Hz	Hourcounter 50 Hz
	1	STM7362	Urenteller 60 Hz	Hourcounter 60 Hz
11	1	STM7363	Tule	Protection
12	1	STM7364	Schakelaar	Switch
13	1	STM7365	Schakelaar	Switch
14	1	STM7366	Motorbedrading	Engine wiring
15	1	STM7367	Aansluitstekker 6kVA	Connecting plug 6kVA
	1	STM7368	Aansluitstekker 12kVA	Connecting plug 12kVA
16	1	STM9057	Kabel zwart	Cable black
17	1	STM9058	Kabel rood	Cable red
18	1	STM9059	Verlengkabel 2 meter	Extension cable 2 meters
19	1	CARTERP	Carterpomp	Cartersump

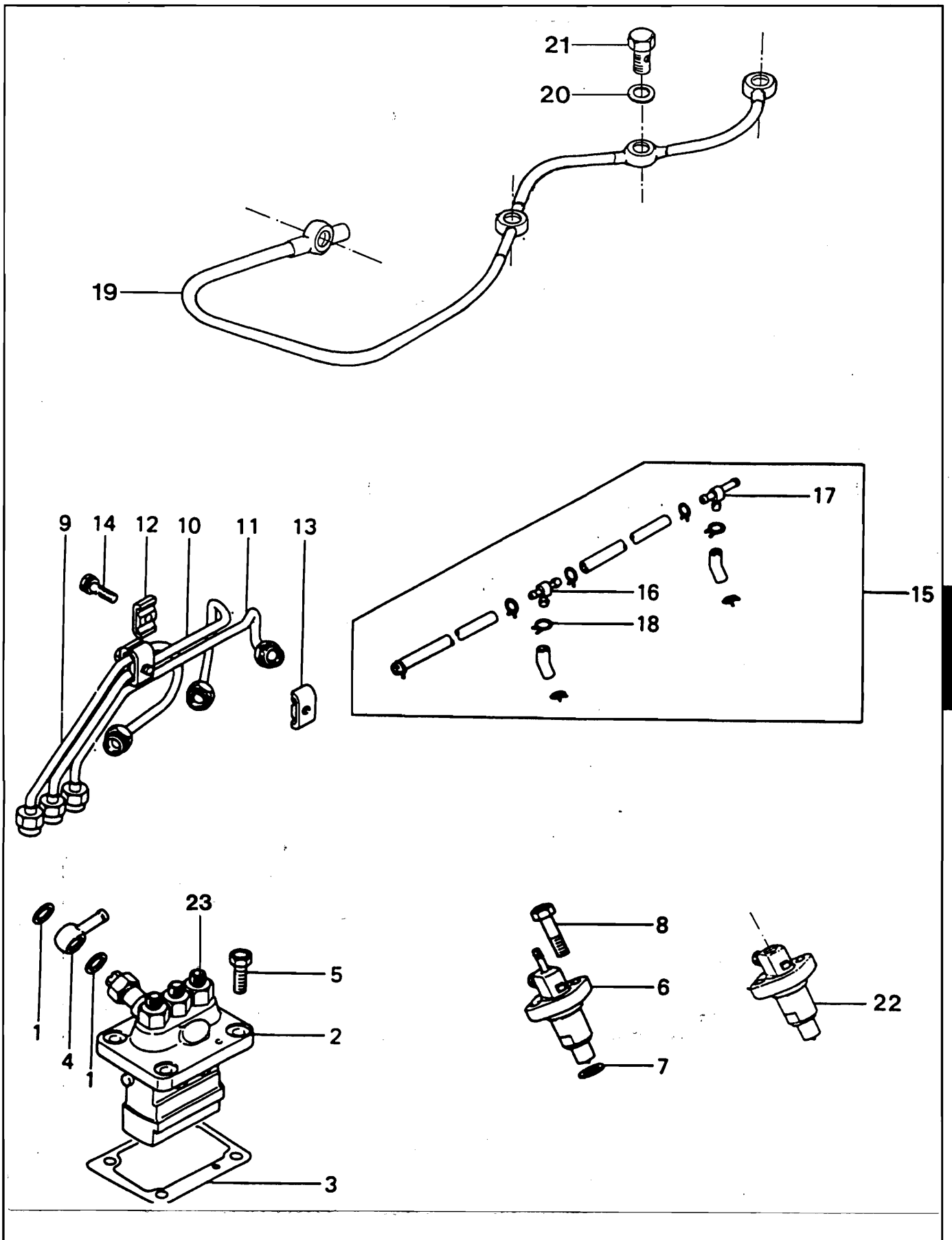
groep/ group	blz./ page	type	omschrijving/description	datum/date
4	6	M3-GLS M4-GLS	Bedradingskast 6-12 KVA 50/60 Hz Wiringbox 6-12 KVA 50/60 Hz	22.4.'92



groep/ group 6	blz./ page 1	type M3-GLS	omschrijving/description Verstuivers en pomp Injectors and pump	datum/date 22.4.'92
----------------------	--------------------	--------------------	---	----------------------------

pos.	qty	part	benaming	description
1	2	STM9024	Ring	Washer
2	1	STM7372	Injectiepomp	Pump assy fuel
3	1	STM2689	Set shims	Shims set
4	1	STM9262	Banjo oog 1/2"	Banjo eye 1/2"
5	4	STM3355	Bout	Bolt
6	3	STM2702	Verstuiverhouder cpl.	Nozzle holder cpl.
7	3	STM2690	Verstuiverring	Gasket nozzle holder
8	6	STM1651	Bout	Bolt
9	1	STM2691	Verstuiverleiding	Pipe assy
10	1	STM2692	Verstuiverleiding	Pipe assy
11	1	STM2693	Verstuiverleiding	Pipe assy
12	3	STM2694	Klem	Clamp
13	3	STM2695	Klem	Clamp
14	2	STM2696	Bout	Bolt
15	1	STM2697	Lekolieleiding	Pipe assy fuel return
16	1	STM2698	T-stuk lekolie	Joint fuel return
17	1	STM2699	T-stuk lekolie	Joint fuel return
18	8	STM2688	Klem	Clamp
19	1	STM6008	Lekolieleiding M3-GLS	Leak oil tube M3-GLS
20	6	STM1007	Ring	Washer
21	3	STM2748	Banjo bout	Banjo bolt
22	3	STM2746	Verstuiverhouder cpl.	Injector cpl.
23	3	STM7370	Terugslagklep	Delivery Valve

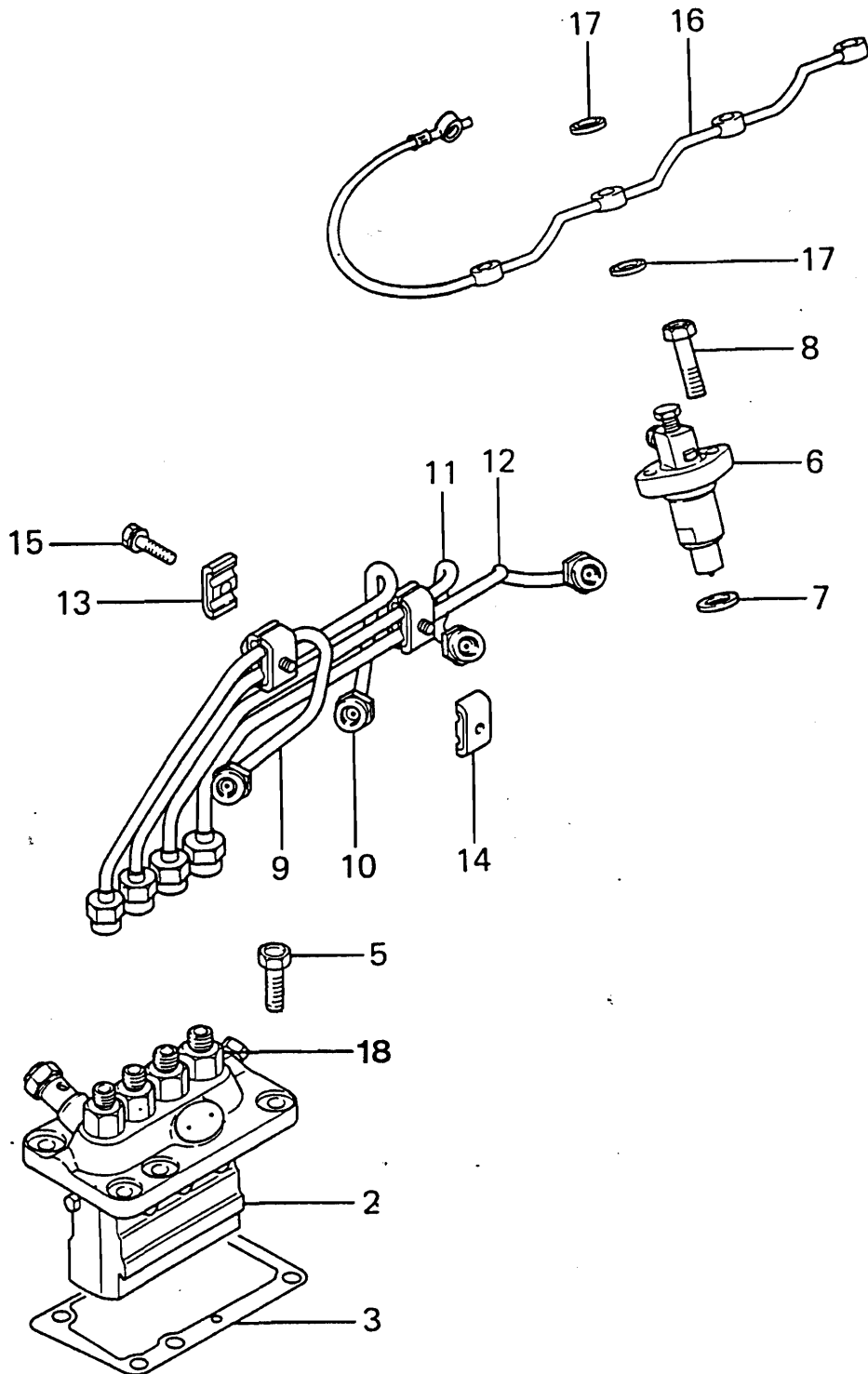
groep/ group	blz./ page	type	omschrijving/description	datum/date
6	1	M3-GLS	Verstuivers en pomp Injectors and pump	22.4.'92



groep/ group 6	blz./ page 2	type M4-GLS	omschrijving/description Verstuivers en pomp Injectors and pump	datum/date 22.4.'92
----------------------	--------------------	--------------------	---	----------------------------

pos.	qty	part	benaming	description
2	1	STM7373	Injectiepomp M4	Injection pump M4
3	1	STM3404	Set shims	Set shims
5	6	STM3355	Bout	Bolt
6	4	STM2746	Verstuiverhouder cpl.	Injector holder cpl.
7	4	STM2690	Verstuivering	Gasket nozzle holder
8	8	STM1651	Bout	Bolt
9	1	STM3405	Verstuiverleiding 1	Injector pipe 1
10	1	STM3406	Verstuiverleiding 2	Injector pipe 2
11	1	STM3407	Verstuiverleiding 3	Injector pipe 3
12	1	STM3408	Verstuiverleiding 4	Injector pipe 4
13	3	STM3409	Klem	Clamp
14	3	STM3410	Klem	Clamp
15	3	STM2696	Bout	Bolt
16	1	STM3411	Lekolieleiding	Leak oil tube
17	8	STM1007	Ring	Washer
18	4	STM7373	Terugslagklep	Delivery valve

groep/ group	blz./ page	type	omschrijving/description	datum/date
6	2	M4-GLS	Verstuivers en pomp Injectors and pump	22.4.'92



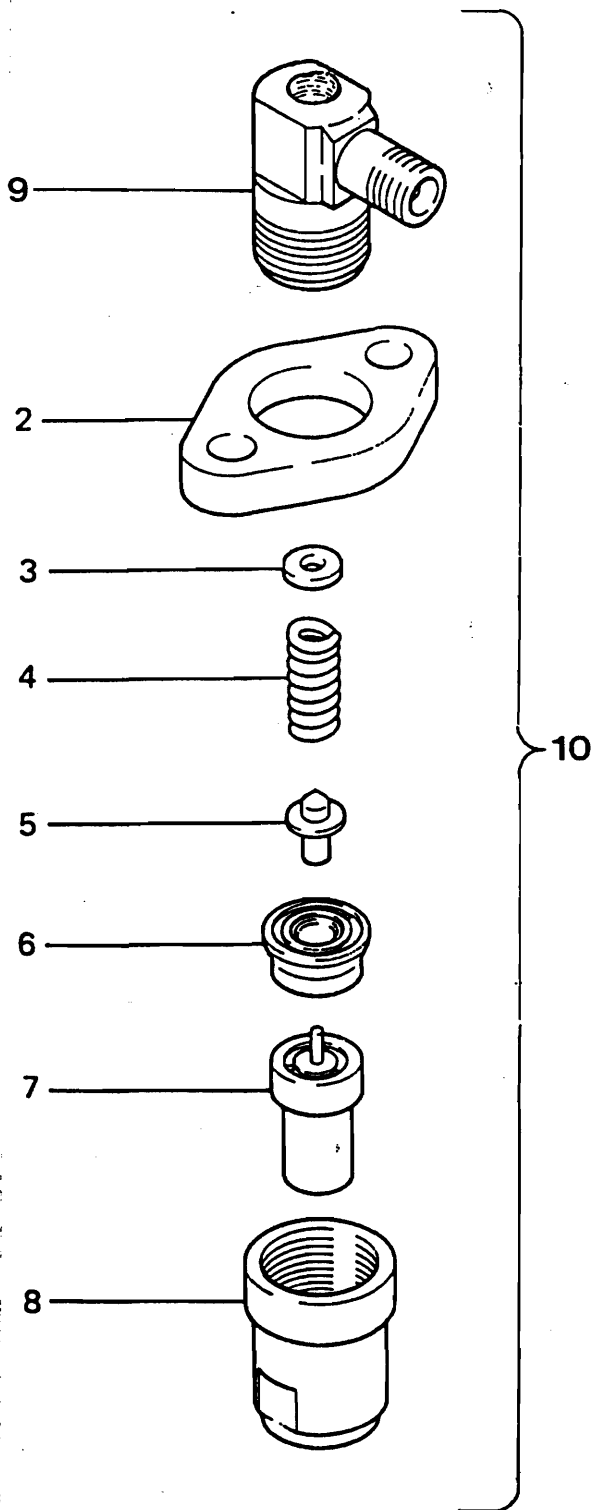
onderdelencatalogus
parts catalogue



groep/ group 6	blz./ page 3	type M3-GLS M4-GLS	omschrijving/description Verstuiverhouder Injector holder	datum/date 22.4.'92
----------------------	--------------------	--------------------------	---	------------------------

pos.	qty	part	benaming	description
1	3	STM2703	Huis	Body
2	3	STM2704	Flens	Flange
3	3	STM2705	Ring 1,3	Washer 1,3
4	1	STM2713	Veer	Spring
5	1	STM2714	Pen	Pin
6	1	STM2715	Afstandsbus	Distance bush
7	1	STM2716	Verstuiver	Nozzle
8	1	STM2717	Borgmoer	Retaining nut
9	3	STM2701	Huis verstuiver	Body injector
10	1	STM2746	Verstuiverhouder cpl.	Injector cpl.

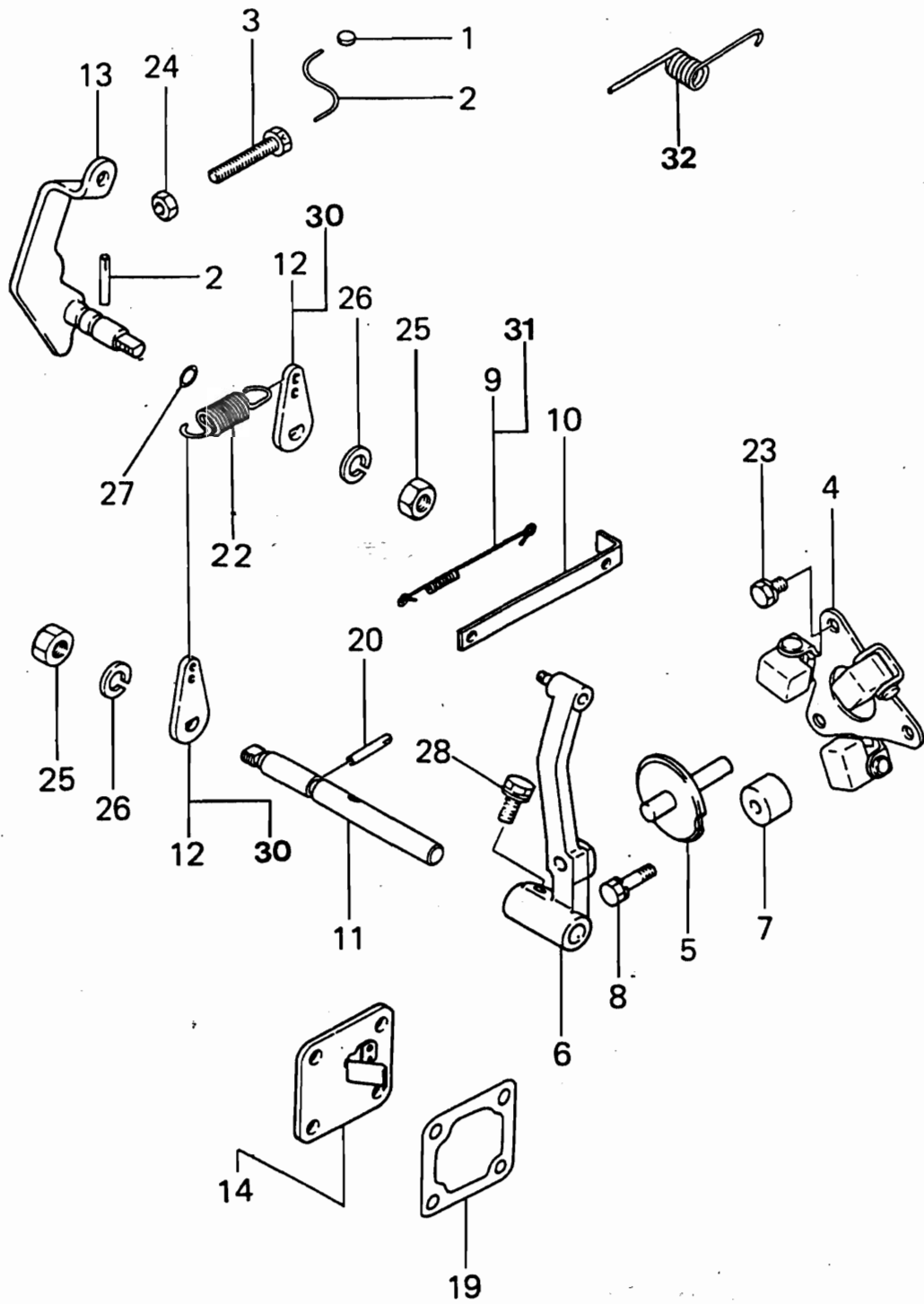
groep/ group	blz./ page	type	omschrijving/description	datum/date
6	3	M3-GLS M4-GLS	Verstuiverhouder Injector holder	22.4.'92



groep/ group 6	blz./ page 4	type M3-GLS	omschrijving/description Regulateur Regulator	datum/date 22.4.'92
----------------------	--------------------	----------------	---	------------------------

pos.	qty	part	benaming	description
1	1	STM2718	Zegellood	Metal sealing
2	1	STM2719	Zegeldraad	Sealing wire
3	1	STM2720	Bout aanslag	Bolt adj.
4	1	STM2721	Gewicht	Weight assy
5	1	STM2722	As cpl.	Shaft cpl.
6	1	STM2723	Handel cpl.	Lever assy
7	1	STM2724	Veer	Spring
8	1	STM2725	Stang	Rod
9	1	STM2726	As reguleteur	Shaft governor
10	2	STM2727	Veer reguleteur	Spring governor
11	1	STM2728	Handel	Lever assy
12	1	STM2745	Deksel	Cover
17	1	STM2734	Pakking	Gasket
18	2	STM2735	Pen	Pin
19	1	STM7371	Veer	Spring
20	3	STM2737	Bout	Bolt
21	3	STM2738	Bout	Bolt
22	1	STM2260	Bout	Bolt
23	1	STM1024	Bout	Bolt
24	1	STM3260	Moer	Nut
25	2	STM2005	Moer	Nut
26	2	STM1056	Veerring	Washer
27	1	STM2739	O-ring	O-ring

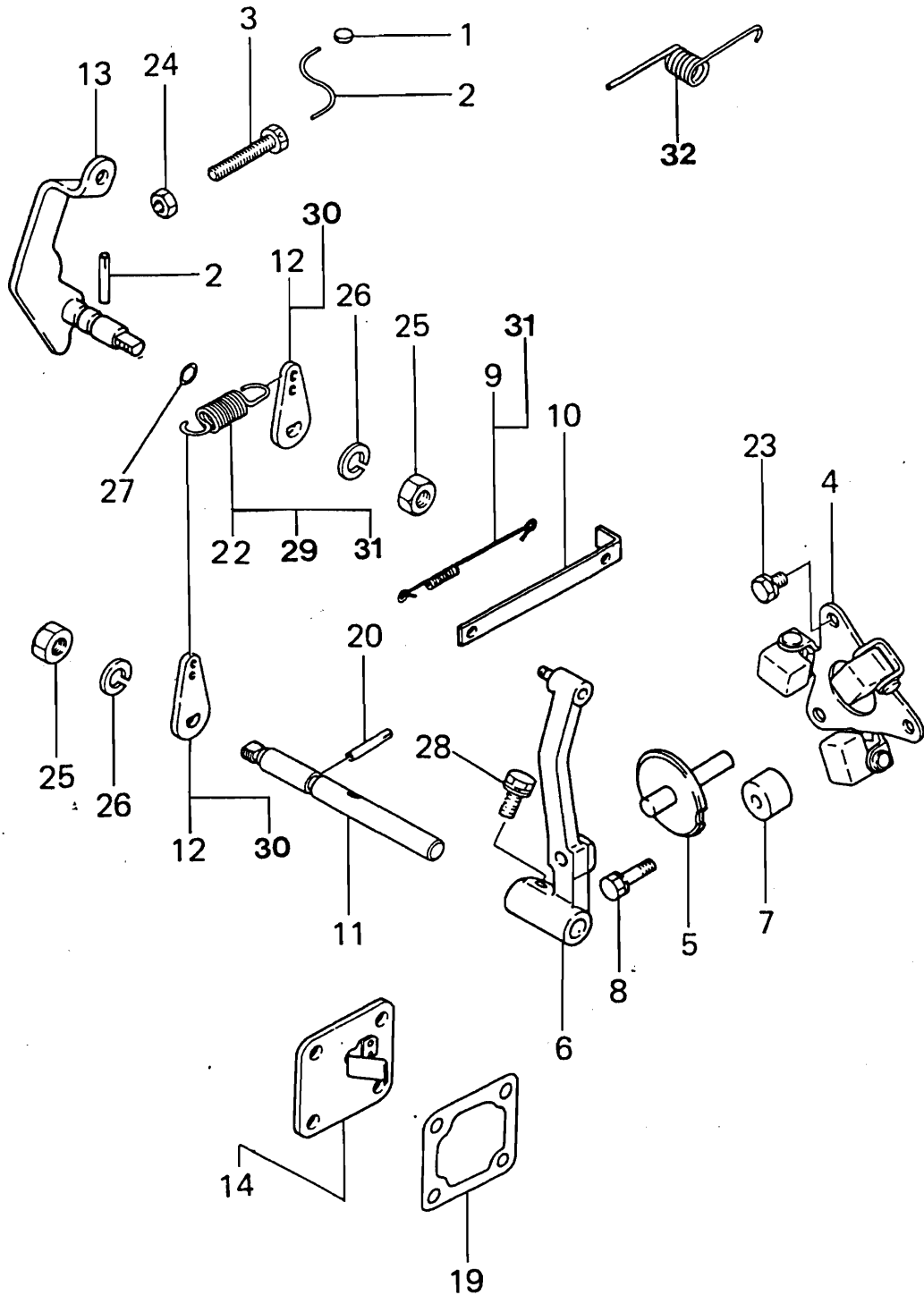
groep/ group	blz./ page	type	omschrijving/description	datum/date
6	4	M3-GLS	Regulateur Regulator	22.4.'92



groep/ group 6	blz./ page 5	type M4-GLS	omschrijving/description Regulateur Regulator	datum/date 22.4.'92
----------------------	--------------------	--------------------	---	----------------------------

pos.	qty	part	benaming	description
1	1	STM2718	Zegellood	Metal sealing
2	1	STM2719	Zegeldraad	Sealing wire
3	1	STM2720	Bout aanslag	Bolt adj.
4	1	STM3412	Gewicht	Weight
5	1	STM3413	As compleet	Shaft complete
6	1	STM2723	Handel compleet	Lever assy
7	1	STM3414	Stopper	Stopper
8	1	STM3515	Bout	Bolt
9	1	STM2724	Veer	Spring
10	1	STM2725	Stang	Rod
11	1	STM2726	As reguleteur	Shaft governor
12	2	STM2727	Lever	Lever
13	1	STM2728	Handel	Lever assy
14	1	STM2745	Deksel	Cover
19	1	STM2734	Pakking	Gasket
20	1	STM2735	Pen	Pin
22	1	STM7374	Veer	Spring governor
23	2	STM2737	Bout	Bolt
24	1	STM3260	Moer	Nut
25	2	STM2005	Moer	Nut
26	2	STM1056	Veerring	Washer
27	1	STM2739	O-ring	O-ring
28	1	STM1024	Bout	Bolt
30	2	STM2773	Lever	Lever
32	1	STM2775	Veer	Spring

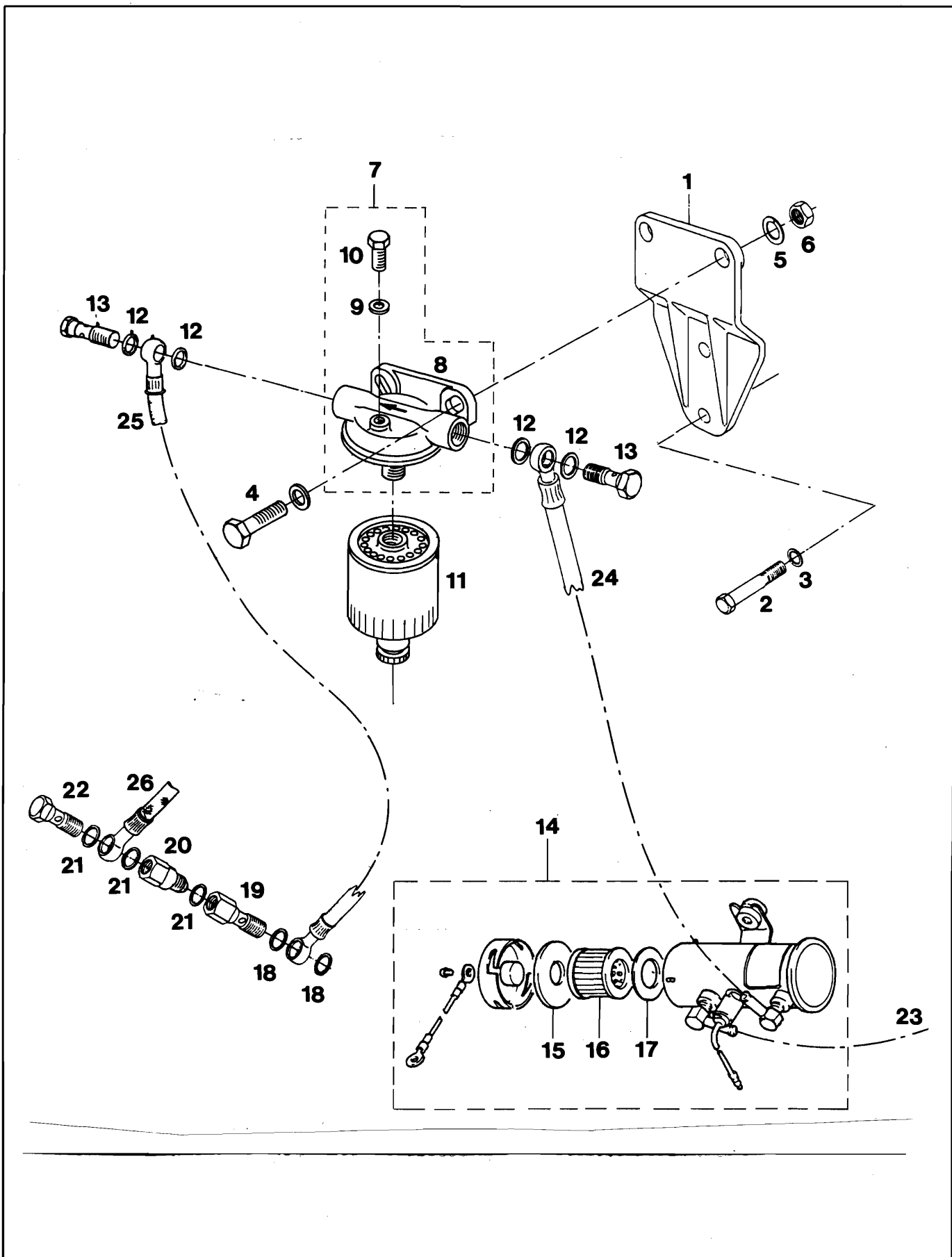
groep/ group	blz./ page	type	omschrijving/description	datum/date
6	5	M4-GLS	Regulateur Regulator	22.4.'92



groep/ group 6	blz./ page 6	type M3-GLS M4-GLS	omschrijving/description Brandstofsysteem Fuelsystem	datum/date 22.4.'92
----------------------	--------------------	--------------------------	--	------------------------

pos.	qty	part	benaming	description
1	1	STM2806	Steun	Stay
2	2	STM9256	Bout	Bolt
3	2	STM1606	Veerring	Spring washer
4	2	STM9003	Bout	Bolt
5	2	STM4014	Veerring	Spring washer
6	2	STM4018	Moer	Nut
7	1	STM6049	Filterkop cpl.	Filterhead cpl.
8	1	STM6050	Filterkop M12x1	Filterhead M12x1
9	1	STM3797	Ring	Washer
10	1	STM3798	Bout	Bolt
11	1	STM3690	Brandstoffilter	Fuelfilter
12	4	STM7056	Ring	Washer
13	2	STM8057	Banjobout	Banjo bolt
14	1	STM4049	Brandstofpomp	Fuelump
15	1	STM4038	Pakking	Gasket
16	1	STM4050	Filter	Filter
17	1	STM4037	Pakking	Gasket
18	2	STM7056	Ring M3	Washer M3
	2	STM1062	Ring M4	Washer M4
19	1	STM9254	Banjobout M3	Banjobolt M3
	1	STM2807	Banjobout M4	Banjobolt M4
20	1	STM9026	Drukontlastklep	Relieve valve
21	3	STM9024	Ring	Washer
22	1	STM9253	Banjobout	Banjo bolt
23	1	STM7221	Slang	Tube
24	1	STM4069	Slang	Tube
25	1	STM9248	Slang M3	Tube M3
	1	STM9249	Slang M4	Tube M4
26	1	STM7222	Slang	Tube
27	1	STM7091	Magneetventiel (optie)	Magnetic valve (option)
28	1	STM7026	Slang (optie)	Tube (option)
29	1	STM7027	Slang (optie)	Tube (option)

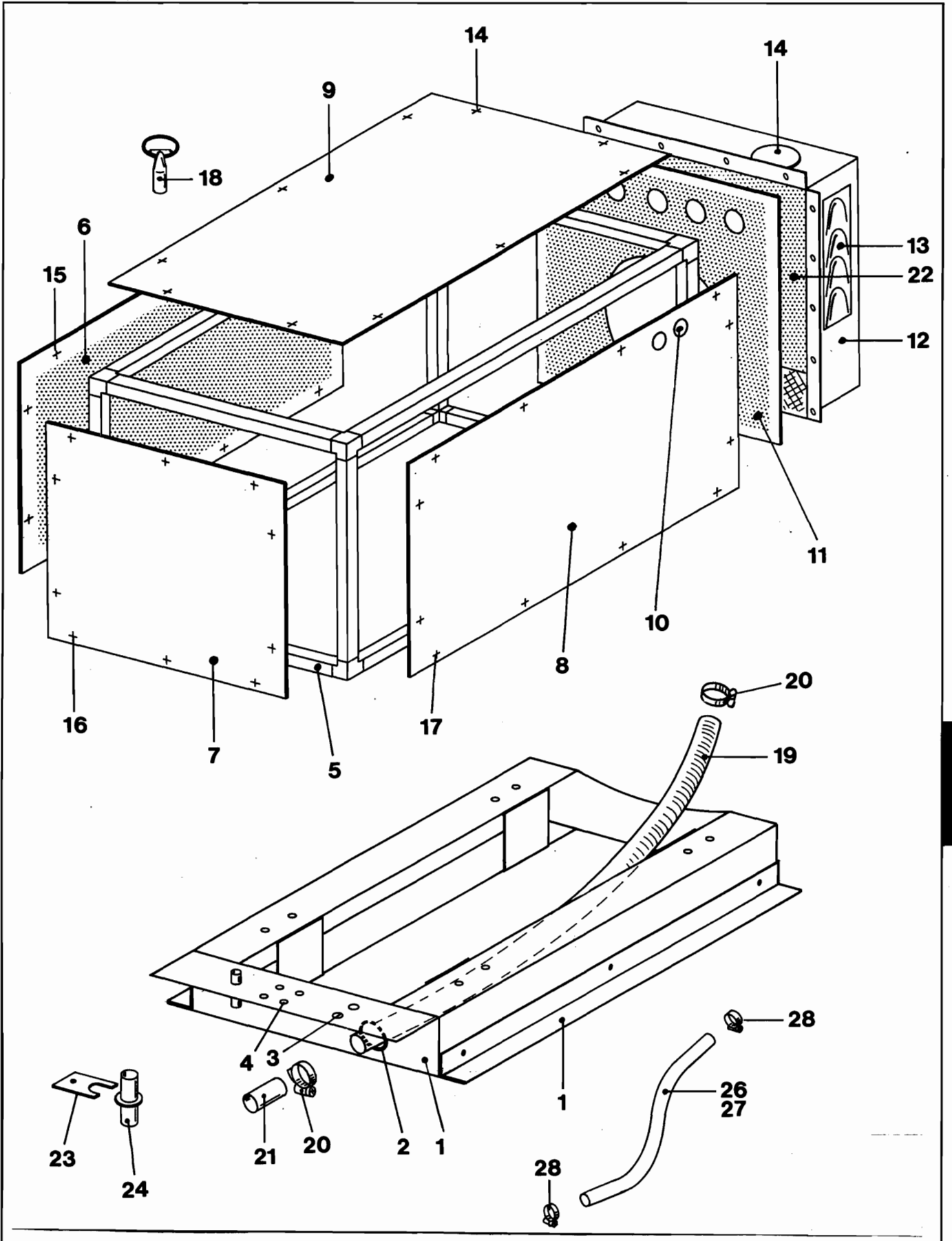
groep/ group	blz./ page	type	omschrijving/description	datum/date
6	6	M3-GLS M4-GLS	Brandstofsysteem Fuelsystem	22.4.'92



groep/ group 7	blz./ page 1	type M3-GLS M4-GLS	omschrijving/description Geluidskast Soundproofbox	datum/date 22.4.'92
----------------------	--------------------	--------------------------	--	------------------------

pos.	qty	part	benaming	description
1	1	STM7322	Frame M3	Frame M3
	1	STM7323	Frame M4	Frame M4
2	1	STM7324	Wartelplaat interkoeling	Swivelplate intercooling
	1	STM7325	Wartelplaat kielkoeling	Swivelplate keelcooling
3	2	STM7326	Wartel M3	Swivel M3
4	4	STM7327	Wartel M4	Swivel M4
5	1	STM7328	Frame M3	Frame M3
	1	STM7329	Frame M4	Frame M4
6	1	STM7330	Zijplaat M3	Side plate M3
	1	STM7331	Zijplaat M4	Side plate M4
7	1	STM7332	Voorplaat M3-M4	Frontplate M3-M4
8	1	STM7333	Zijplaat M3	Side plate M3
	1	STM7334	Zijplaat M4	Side plate M4
9	1	STM7335	Bovenplaat M3	Upper plate M3
	1	STM7336	Bovenplaat M4	Upper plate M4
10	2	STM7337	Tule	Protection
11	1	STM7338	Asschot M3	Shaft plate M3
	1	STM7339	Asschot M4	Shaft plate Ma4
12	1	STM7340	Labyrint M3	Labyrinth M3
	1	STM7341	Labyrint M4	Labyrinth M4
13	1	STM7342	Rooster	Grate
14	8	STM7343	Slot M3	Lock M3
	10	STM7344	Slot M4	Lock M4
15	8	STM7345	Slot M3	Lock M3
	10	STM7346	Slot M4	Lock M4
16	6	STM7347	Slot	Lock
17	10	STM7348	Plastic schroef M3	Plastic screw M3
	12	STM7349	Plastic schroef M4	Plastic screw M4
18	1	STM7265	Sleutel	Key
19	1	SLANG40	Uitlaatslang M3-M4	Exhaust hose M3-M4
20	2	STM3006	Slangklem	Hose clamp
21	1	STM7350	Doorvoerpijp	Transition pipe
22	1	STM7351	Tussenschot	Division
23	1	STM7352	Borgplaat	Locking plate
24	1	STM7353	Doorvoerpijp	Transition pipe
26	1	STM7370	Slang	Hose
27	1	STM7371	Slang	Hose
28	4	STM3005	Slangklem	Hose clamp

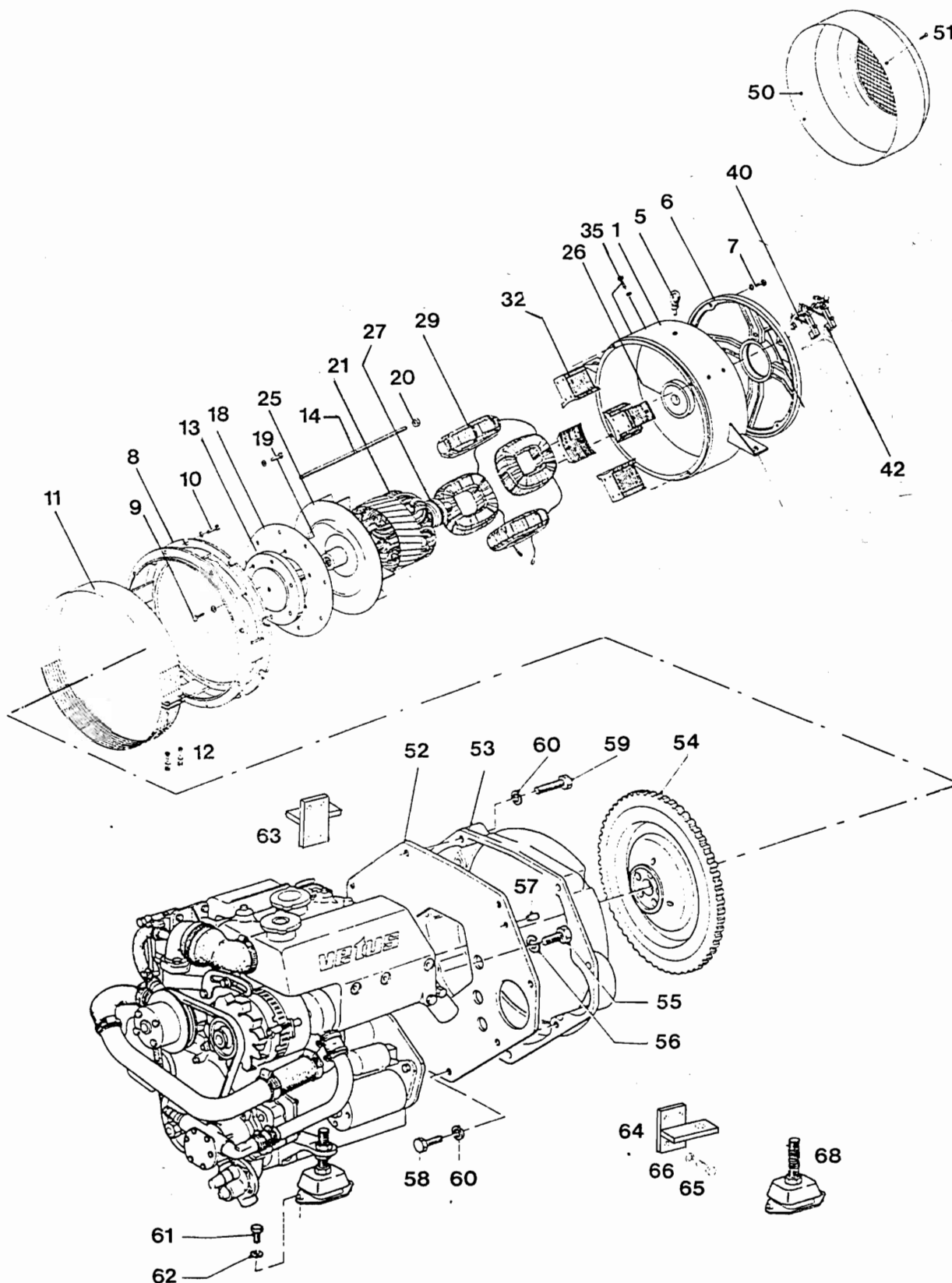
groep/ group	blz./ page	type	omschrijving/description	datum/date
7	1	M3-GLS M4-GLS	Geluidskast Soundproofbox	22.4.'92



groep/ group	blz./ page	type	omschrijving/description	datum/date
7	2	M3-GLS6SI M3-GLS7SI	Generatorset 6 kVA 1 phase Generatorset 7 kVA 1 phase	22.4.'92

pos.	qty	part	benaming	description
1	1	STM7266	Frame GLS 6/7 BTS130B 1F	Frame GLS 6/7 BTS130B 1Ph
5	1	STM7270	Hijsoog	Lifting eye
6	1	STM7271	Beugel	Bracket
7	4	STM7272	Schroeven	Screws
8	1	STM7273	Dynamo ring	Adaptor ring
9	4	STM7274	Schroeven	Screws
10	8	STM7275	Schroeven	Screws
11	1	STM7276	Beschermingskap dynamo	Adaptor guardband
12	2	STM7277	Schroeven	Screws
13	1	STM7278	As	Shaft
14	1	STM7279	Stang M10X280	Rod M10x280
18	2	STM7283	Koppelschijf	Coupling disc
19	6	STM7284	Schroeven	Screws
20	1	STM7285	Stang + moer	Rod + nut
21	1	STM7286	Rotor appendages	Rotor armature
25	1	STM7290	Aluminium waaier	Aluminium van
26	1	STM7291	Lager	Bearing
27	1	STM7292	Sleepring 2 weg	Slipring 2 way
29	1	STM7294	Bekrachtigingsspoel	Field coil
32	1	STM7297	Bekrachtigingsijzer	Field iron
35	8	STM7300	Schroeven	Screws
37	4	STM7302	Schroeven	Screws
40	2	STM7305	Borstelhouder	Brush holder
42	4	STM7259	Borstel	Brush
50	4	STM7313	Eindplaat	Endcover
51	4	STM7314	Bout	Bolt
52	1	STM3800	Achterplaat MM4082125	Backplate MM4082125
53	1	STM3802	Vliegwielhuis MM4315385	Flywheelhouse MM4315385
		STM3807	Vliegwielhuis M3 Aluminium	Flywheelhouse M3 Aluminium
54	1	STM7319	Vliegwiel MM412946	Flywheel MM412946
55	6	STM7053	Bout	Bolt
56	6	STM4056	Veerring	Spring washer
57	2	STM3813	Paspen MM408245	Pin MM408245
58	5	STM3817	Bout M12x1,25x25	Bolt M12x1,25x25
59	2	STM3818	Bout M12x1,25x50	Bolt M12x1,25x50
60	7	STM4003	Veerring	Spring washer
61	8	STM9003	Bout	Bolt
62	8	STM4014	Ring	Washer
63	1	STM7320	Steun M3 SB	Stay M3 SB
64	1	STM7321	Steun M3 BB	Stay M3 BB
65	8	STM4013	Bout	Bolt
66	8	STM4014	Ring	Washer
67	2	KSTEUN50	Trillingsdemper M3	Vibrating damper M3
68	2	KSTEUN75	Trillingsdemper M3	Vibrating damper M3

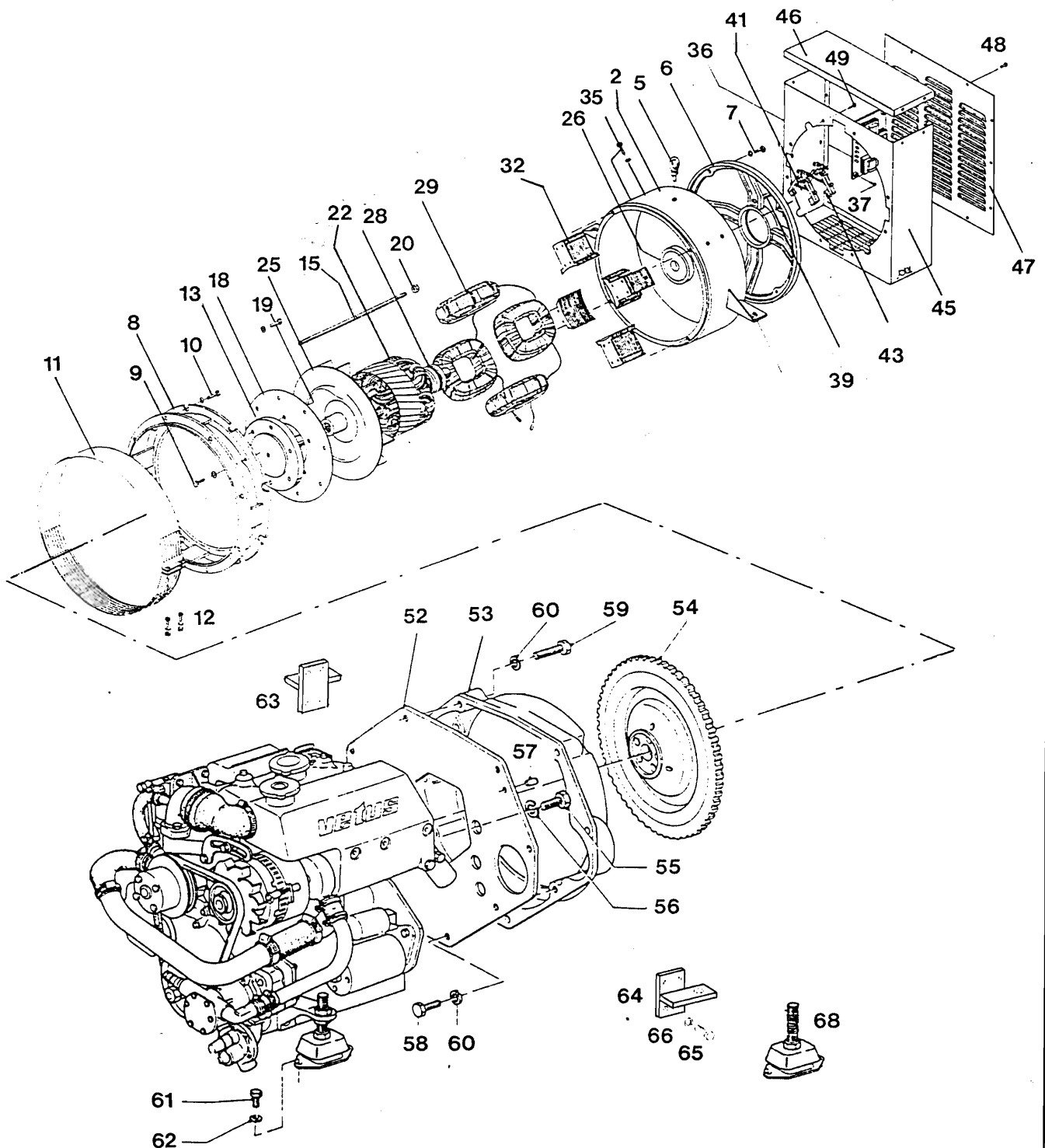
groep/ group	blz./ page	type	omschrijving/description	datum/date
7	2	M3-GLS6SI M3-GLS7SI	Generatorset 6 kVA 1 phase Generatorset 7 kVA 1 phase	22.4.'92



groep/ group	blz./ page	type	omschrijving/description	datum/date
7	3	M3-GLS6TI M3-GLS7TI	Generatorset 6 kVA 3 phase Generatorset 7 kVA 3 phase	22.4.'92

pos.	qty	part	benaming	description
2	1	STM7267	Frame GLS 6/7 BTS130B 3F	Frame GLS 6/7 BTS130B 3Ph
5	1	STM7270	Hijsoog	Lifting eye
6	1	STM7271	Beugel	Bracket
7	4	STM7272	Schroeven	Screws
8	1	STM7273	Dynamo ring	Adaptor ring
9	4	STM7274	Schroeven	Screws
10	8	STM7275	Schroeven	Screws
11	1	STM7276	Beschermingskap dynamo	Adaptor guardband
12	2	STM7277	Schroeven	Screws
13	1	STM7278	As	Shaft
15	1	STM7280	Stang M10x310	Rod M10x310
18	2	STM7283	Koppelschijf	Coupling disc
19	6	STM7284	Schroeven	Screws
20	1	STM7285	Stang + moer	Rod + nut
22	1	STM7287	Rotor appendages	Rotor armature
25	1	STM7290	Aluminium waaier	Aluminium van
26	1	STM7291	Lager	Bearing
28	1	STM7293	Sleepring 4 weg	Slipring 4 way
29	1	STM7294	Bekrachtigingsspoel	Field coil
32	1	STM7297	Bekrachtigingsijzer	Field iron
35	8	STM7300	Schroeven	Screws
36	1	STM7301	Sensing unit 3-fase	Sensing unit triphase
37	4	STM7302	Schroeven	Screws
39	1	STM7304	Isolatie	Insulation
41	4	STM7306	Borstelhouder	Brush holder
43	8	STM7259	Borstel	Brush
44	1	STM7307	Kap	Cover cpl.
45	1	STM7308	Doos	Box
46	1	STM7309	Kap	Cap
47	1	STM7310	Eindplaat	Endcover
48	14	STM7311	Bout	Bolt
49	4	STM7312	Bout	Bolt
51	4	STM7314	Bout	Bolt
52	1	STM3800	Achterplaat MM4082125	Backplate MM4082125
53	1	STM3802	Vlieg wielhuis MM4315385	Flywheelhouse MM4315385
		STM3807	Vlieg wielhuis M3 Aluminium	Flywheelhouse M3 Aluminium
54	1	STM7319	Vlieg wiel MM412946	Flywheel MM412946
55	6	STM7053	Bout	Bolt
56	6	STM4056	Veerring	Spring washer
57	2	STM3813	Paspen MM408245	Pin MM408245
58	5	STM3817	Bout M12x1,25x25	Bolt M12x1,25x25
59	2	STM3818	Bout M12x1,25x50	Bolt M12x1,25x50
60	7	STM4003	Veerring	Spring washer
61	8	STM9003	Bout	Bolt
62	8	STM4014	Ring	Washer
63	1	STM7320	Steun M3 SB	Stay M3 SB
64	1	STM7321	Steun M3 BB	Stay M3 BB
65	8	STM4013	Bout	Bolt
66	8	STM4014	Ring	Washer
67	2	KSTEUN50	Trillingsdemper M3	Vibrating damper M3
68	2	KSTEUN75	Trillingsdemper M3	Vibrating damper M3

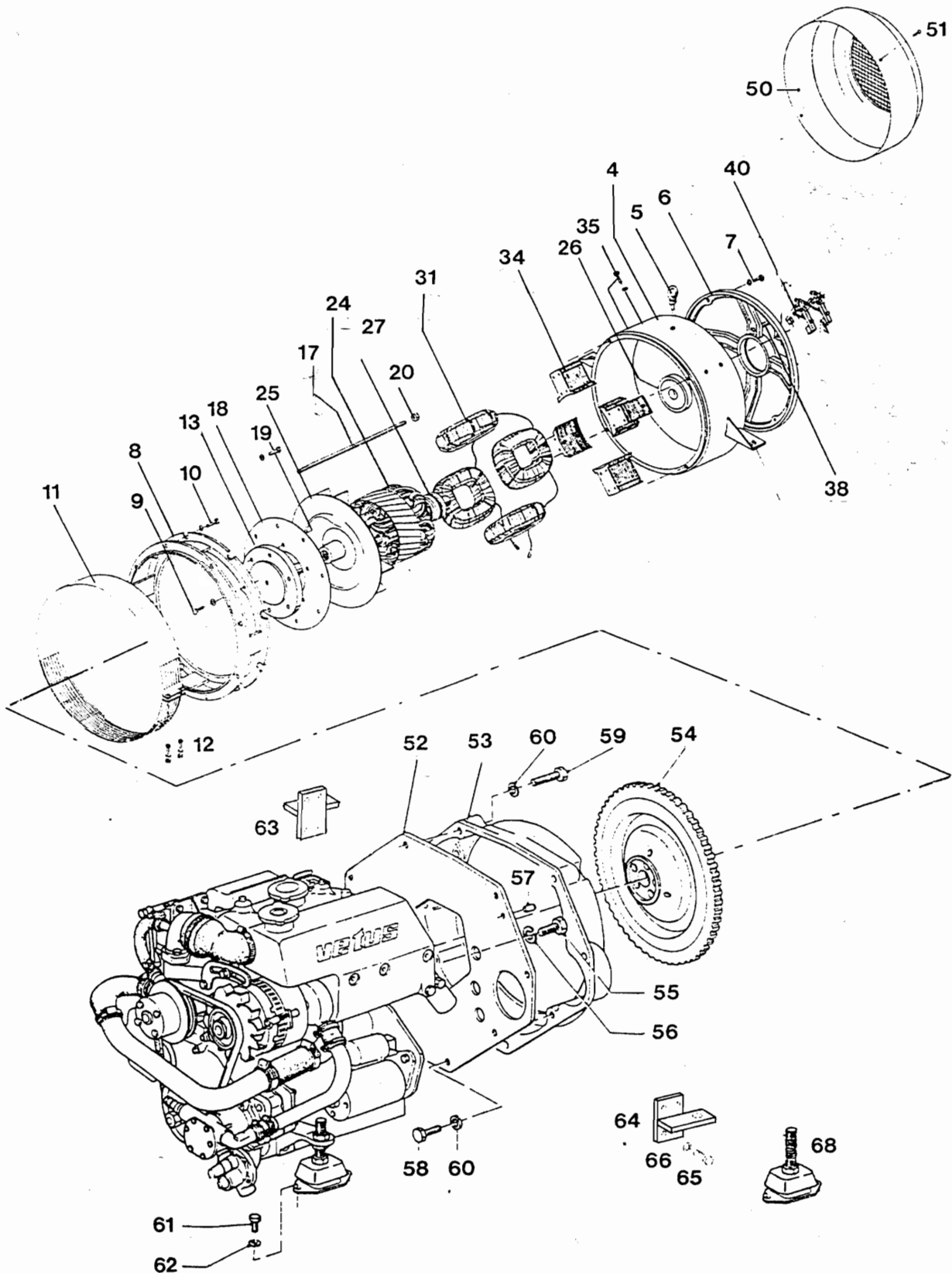
groep/ group	blz./ page	type	omschrijving/description	datum/date
7	3	M3-GLS6TI M3-GLS7TI	Generatorset 6 kVA 3 phase Generatorset 7 kVA 3 phase	22.4.'92



groep/ group	blz./ page	type	omschrijving/description	datum/date
7	4	M4-GLS10SI M4-GLS12SI	Generatorset 10 kVA 1 phase Generatorset 12 kVA 1 phase	22.4.'92

pos.	qty	part	benaming	description
4	1	STM7269	Frame GLS 10/12 BTS130D 1 F	Frame GLS 10/12 BTS130B 1Ph
5	1	STM7270	Hijsoog	Lifting eye
6	1	STM7271	Beugel	Bracket
7	4	STM7272	Schroeven	Screws
8	1	STM7273	Dynamo ring	Adaptor ring
9	4	STM7274	Schroeven	Screws
10	8	STM7275	Schroeven	Screws
11	1	STM7276	Beschermingskap dynamo	Adaptor guardband
12	2	STM7277	Schroeven	Screws
13	1	STM7278	As	Shaft
17	1	STM7282	Stang M10x355	Rod M10x355
18	2	STM7283	Koppelschijf	Coupling disc
19	6	STM7284	Schroeven	Screws
20	1	STM7285	Stang + moer	Rod + nut
24	1	STM7289	Rotor appendages	Rotor armature
25	1	STM7290	Aluminium waaier	Aluminium van
26	1	STM7291	Lager	Bearing
27	1	STM7292	Sleepring 2 weg	Slipring 2 way
31	1	STM7296	Bekrachtigingsspoel	Field coil
34	4	STM7299	Bekrachtigingsijzer	Field iron
35	8	STM7300	Schroeven	Screws
37	4	STM7302	Schroeven	Screws
38	1	STM7303	Isolatie	Insulation
40	2	STM7305	Borstelhouder	Brush holder
42	4	STM7259	Borstel	Brush
50	4	STM7313	Eindplaat	Endcover
51	4	STM7314	Bout	Bolt
52	1	STM3800	Achterplaat MM4082125	Backplate MM4082125
53	1	STM3802	Vliegwielhuis MM4315385	Flywheelhouse MM4315385
		STM3807	Vliegwielhuis M3 Aluminium	Flywheelhouse M3 Aluminium
		STM3806	Vliegwielhuis M4 Aluminium	Flywheelhouse M4 Aluminium
54	1	STM7319	Vlieg wiel MM412946	Flywheel MM412946
55	6	STM7053	Bout	Bolt
56	6	STM4056	Veerring	Spring washer
57	2	STM3813	Paspen MM408245	Pin MM408245
58	5	STM3817	Bout M12x1,25x25	Bolt M12x1,25x25
59	2	STM3818	Bout M12x1,25x50	Bolt M12x1,25x50
60	7	STM4003	Veerring	Spring washer
61	8	STM9003	Bout	Bolt
62	8	STM4014	Ring	Washer
67	2	KSTEUN75	Trillingsdemper M4	Vibrating damper M4
68	2	KSTEUN75	Trillingsdemper M4	Vibrating damper M4

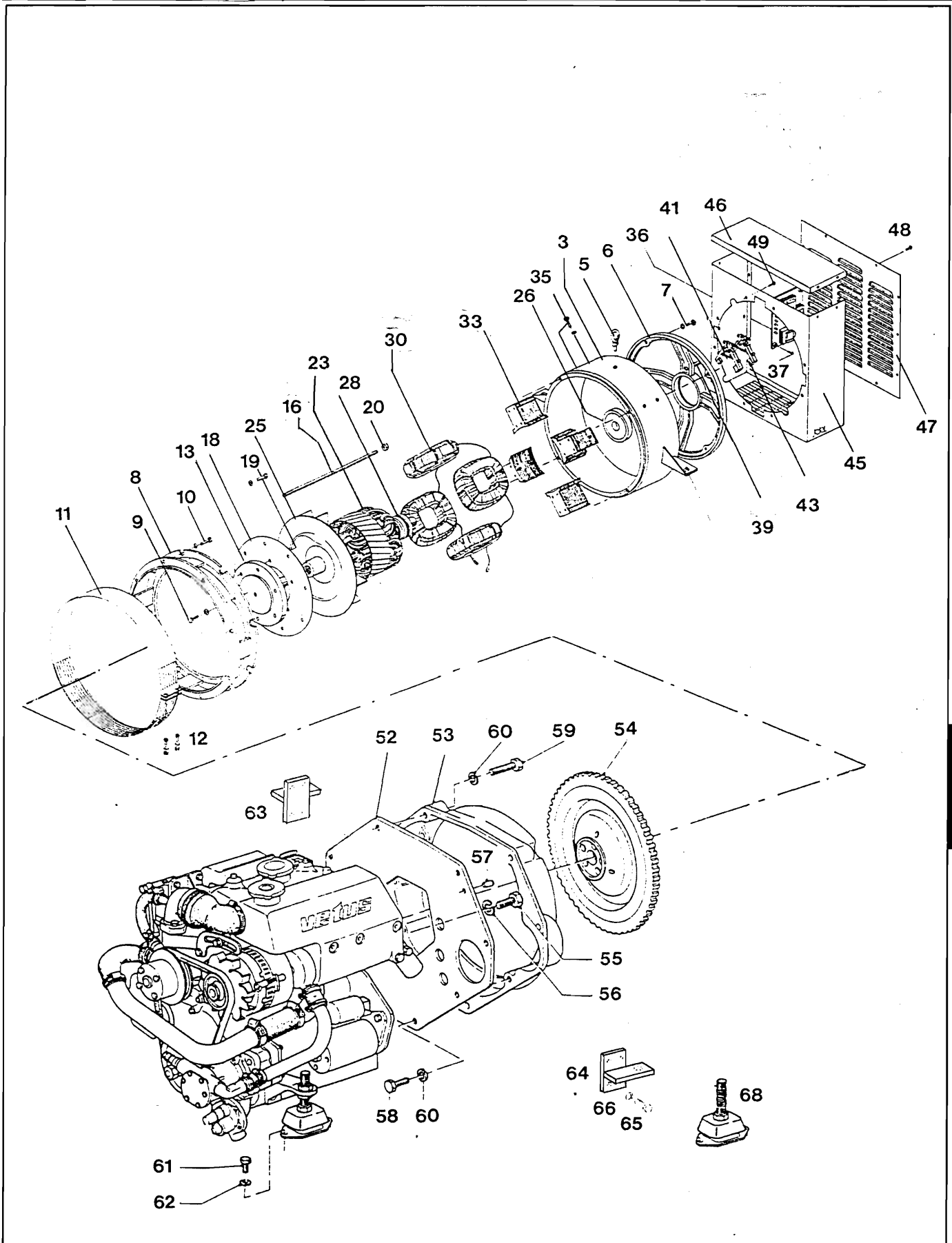
groep/ group	blz./ page	type	omschrijving/description	datum/date
7	4	M4-GLS10SI M4-GLS12SI	Generatorset 10 kVA 1 phase Generatorset 12 kVA 1 phase	22.4.'92



groep/ group	blz./ page	type	omschrijving/description	datum/date
7	5	M4-GLS12TI M4-GLS15TI	Generatorset 12 kVA 3 phase Generatorset 15 kVA 3 phase	22.4.'92

pos.	qty	part	benaming	description
3	1	STM7268	Frame GLS 12/15 BTS130C 3F	Frame GLS 12/15 BTS130C 3Ph
5	1	STM7270	Hijsoog	Lifting eye
6	1	STM7271	Beugel	Bracket
7	4	STM7272	Schroeven	Screws
8	1	STM7273	Dynamo ring	Adaptor ring
9	4	STM7274	Schroeven	Screws
10	8	STM7275	Schroeven	Screws
11	1	STM7276	Beschermingskap dynamo	Adaptor guardband
12	2	STM7277	Schroeven	Screws
13	1	STM7278	As	Shaft
16	1	STM7281	Stang M10x335	Rod M10x335
18	2	STM7283	Koppelschijf	Coupling disc
19	6	STM7284	Schroeven	Screws
20	1	STM7285	Stang + moer	Rod + nut
23	1	STM7288	Rotor appendages	Rotor armature
25	1	STM7290	Aluminium waaier	Aluminium van
26	1	STM7291	Lager	Bearing
28	1	STM7293	Sleepring 4 weg	Slipring 4 way
30	1	STM7295	Bekrachtigingsspoel	Field coil
33	4	STM7298	Bekrachtigingssijzer	Field iron
35	8	STM7300	Schroeven	Screws
36	1	STM7301	Sensing unit triphase	Sensing unit triphase
37	4	STM7302	Schroeven	Screws
39	1	STM7304	Isolatie	Insulation
41	4	STM7306	Borstelhouder	Brush holder
43	8	STM7259	Borstel	Brush
44	1	STM7307	Kap	Cover cpl.
45	1	STM7308	Doos	Box
46	1	STM7309	Kap	Cap
47	1	STM7310	Eindplaat	Endcover
48	14	STM7311	Bout	Bolt
49	4	STM7312	Bout	Bolt
51	4	STM7314	Bout	Bolt
52	1	STM3800	Achterplaat MM4082125	Backplate MM4082125
53	1	STM3802	Vliegwielhuis MM4315385	Flywheelhouse MM4315385
		STM3806	Vliegwielhuis M4 Aluminium	Flywheelhouse M4 Aluminium
54	1	STM7319	Vlieg wiel MM412946	Flywheel MM412946
55	6	STM7053	Bout	Bolt
56	6	STM4056	Veerring	Spring washer
57	2	STM3813	Paspen MM408245	Pin MM408245
58	5	STM3817	Bout M12x1,25x25	Bolt M12x1,25x25
59	2	STM3818	Bout M12x1,25x50	Bolt M12x1,25x50
60	7	STM4003	Veerring	Spring washer
61	8	STM9003	Bout	Bolt
62	8	STM4014	Ring	Washer
67	2	KSTEUN75	Trillingsdemper M4	Vibrating damper M4
68	2	KSTEUN75	Trillingsdemper M4	Vibrating damper M4

groep/ group	blz./ page	type	omschrijving/description	datum/date
7	5	M4-GLS12TI M4-GLS15TI	Generatorset 12 kVA 3 phase Generatorset 15 kVA 3 phase	22.4.'92



vetus diesel

a division of ***vetus den oudem n.v.***

FOKKERSTRAAT 571 - 3125 BD SCHIEDAM - HOLLAND - TEL.: +31 (10) 4377700
FAX: +31-(10) 4621286 - 4373474 - 4153249 - 4372673 - E-MAIL: DIESEL@VETUS.NL