

Parts catalogue

D-Line

VD4.120 **VD6.170**
VD4.140 **VD6.210**



Deze onderdelencatalogus bevat waardevolle informatie voor onderhoud en service aan uw motor.

Wij adviseren U, bij vervanging alleen originele **VETUS** onderdelen toe te passen.

Het typeplaatje bevat informatie over de typeaanduiding, het motornummer en de serie.

Gebruik deze informatie bij bestelling van onderdelen.

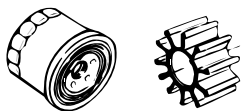
This parts'catalogue contains valuable information for maintenance and service over your engine.

For replacement, we recommend that you use only genuine **VETUS** parts.

The identification tag contains information about model, serial number and series.

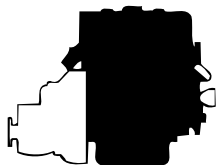
Use this information when ordering parts.

1



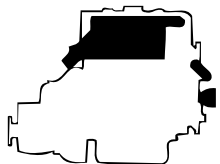
Reserve kits
Spare parts kit

2



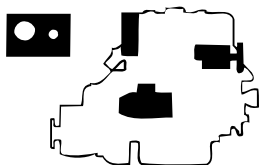
Motor
Engine

3



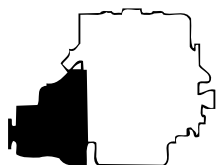
Koeling
Cooling

4



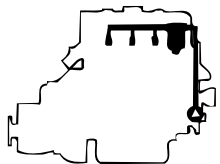
Electra, bediening en instrumenten
Electrics, controls, instruments

5



Aandrijving
Transmission

6



Brandstofsysteem
Fuel system

7

Generator
Generator

8

Gereedschappen
Tools

9

10

Accessoires
Optionals

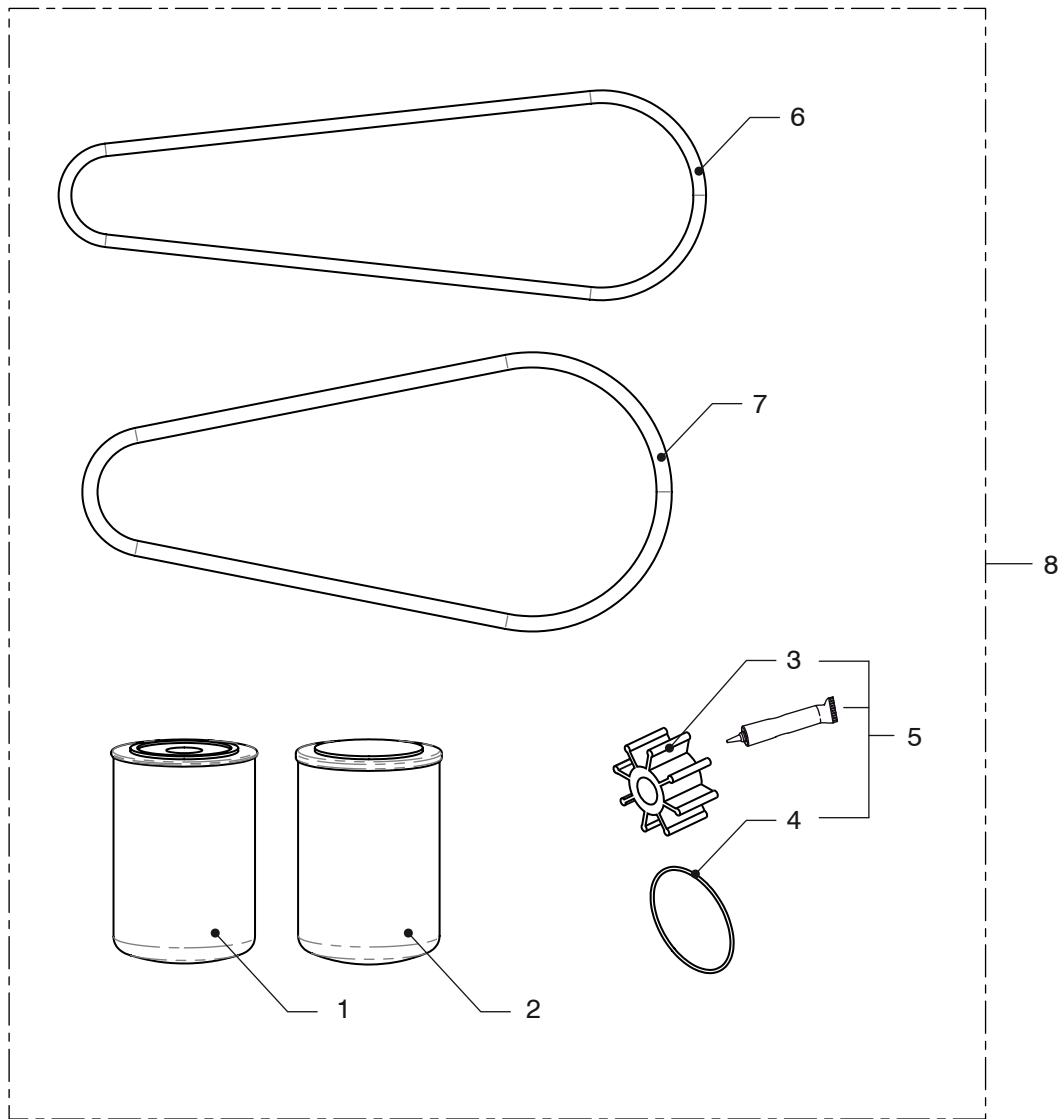
Inhoud

Contents

pag. page	type				omschrijving	description
1-1	VD4.120	VD4.140			Service kit	Service kit
1-2			VD6.170	VD6.210	Service kit	Service kit
2-1	VD4.120	VD4.140			Pakkingset VD4	Gasket set VD4
2-2			VD6.170	VD6.210	Pakkingset VD6	Gasket set VD6
2-3	VD4.120	VD4.140	VD6.170	VD6.210	Aanzuigpijp	Oil suction pipe
2-4	VD4.120	VD4.140	VD6.170	VD6.210	Oliekoeler	Oil cooler
2-5	VD4.120	VD4.140	VD6.170	VD6.210	Oliekoeler	Oil cooler
2-6	VD4.120	VD4.140	VD6.170	VD6.210	Cilinderblok	Crankcase
2-7	VD4.120	VD4.140	VD6.170	VD6.210	Cilinderblok	Crankcase
2-8	VD4.120	VD4.140	VD6.170	VD6.210	Voordeksel / Oliepomp	Front cover / Oil pump
2-9	VD4.120	VD4.140	VD6.170	VD6.210	Pijlstok	Oil gauge
2-10	VD4.120	VD4.140	VD6.170	VD6.210	Carter ontluchting	Crankcase breather
2-11	VD4.120	VD4.140	VD6.170	VD6.210	Carterpan	Oil pan
2-12	VD4.120	VD4.140	VD6.170	VD6.210	Krukas	Crankshaft
2-13	VD4.120	VD4.140			V-snaar poelie	V-belt pulley assembly
2-14			VD6.170	VD6.210	V-snaar poelie	V-belt pulley assembly
2-15	VD4.120	VD4.140	VD6.170	VD6.210	Vliegwiel	Flywheel
2-16	VD4.120	VD4.140	VD6.170	VD6.210	Drijfstang	Connecting rod
2-17	VD4.120	VD4.140	VD6.170	VD6.210	Zuiger	Piston
2-18	VD4.120	VD4.140	VD6.170	VD6.210	Cilinderkop	Cylinder head
2-19	VD4.120	VD4.140	VD6.170	VD6.210	Cilinderkop	Cylinder head
2-20	VD4.120	VD4.140			Kleppendeksel	Valve mechanism cover
2-21			VD6.170	VD6.210	Kleppendeksel	Valve mechanism cover
2-22	VD4.120	VD4.140	VD6.170	VD6.210	Distributiedeksels	Gearcase cover
2-23	VD4.120	VD4.140	VD6.170	VD6.210	Nokkenas	Camshaft
2-24	VD4.120	VD4.140	VD6.170	VD6.210	Klepaandrijving	Valve drive
2-25	VD4.120	VD4.140			Laadluchtspruitstuk	Charge air manifold
2-26			VD6.170	VD6.210	Laadluchtspruitstuk	Charge air manifold
2-27	VD4.120	VD4.140	VD6.170	VD6.210	ECU	ECU
2-28	VD4.120	VD4.140			Uitlaatspruitstuk	Exhaust manifold
2-29			VD6.170	VD6.210	Uitlaatspruitstuk	Exhaust manifold
2-30	VD4.120	VD4.140	VD6.170	VD6.210	Hydr. Pomp	Hydraulic pump
2-31	VD4.120	VD4.140	VD6.170	VD6.210	Vliegwielhuis	Flywheel housing
2-32	VD4.120	VD4.140			Uitlaat injectiebocht	Exhaust elbow
2-33			VD6.170	VD6.210	Uitlaat injectiebocht	Exhaust elbow
2-34	VD4.120	VD4.140			Luchtinlaatbocht	Air intake elbow
2-35			VD6.170	VD6.210	Luchtinlaatbocht	Air intake elbow
2-36	VD4.120	VD4.140	VD6.170	VD6.210	Turbo compressor	Turbocharger
2-37	VD4.120	VD4.140	VD6.170	VD6.210	Afschermkap	Protection cover
2-38	VD4.120	VD4.140			Electrische olie aftappomp	Elec. oil pump
2-39			VD6.170	VD6.210	Electrische olie aftappomp	Elec. oil pump

pag. page	type				omschrijving	description
2-40	VD4.120	VD4.140	VD6.170	VD6.210	Motorsteunen	Engine supports
2-41	VD4.120	VD4.140			Turbo olieleidingen	Turbo oil lines
2-42			VD6.170	VD6.210	Turbo olieleiding	Turbo oil line
2-43	VD4.120	VD4.140			Uitlaatisolatie + turbo isolatie	Exhaust isolation + turbo insulation
2-44	VD4.120	VD4.140			Uitlaatisolatie + turbo isolatie	Exhaust isolation + turbo insulation
2-45			VD6.170	VD6.210	Uitlaatisolatie + turbo isolatie	Exhaust isolation + turbo insulation
2-46	VD4.120	VD4.140			Luchtfilter	Air cleaner
2-47			VD6.170	VD6.210	Luchtfilter	Air cleaner
3-1	VD4.120	VD4.140	VD6.170	VD6.210	Warmtewisselaar assy	Heat exchanger assy
3-2	VD4.120	VD4.140			Warmtewisselaar	Heat exchanger
3-3			VD6.170	VD6.210	Warmtewisselaar	Heat exchanger
3-4	VD4.120	VD4.140			Laadluchtkoeler assy	After cooler assy
3-5			VD6.170	VD6.210	Laadluchtkoeler assy	After cooler assy
3-6	VD4.120	VD4.140			Laadlucht-koeler	After cooler
3-7	VD4.120	VD4.140			Laadlucht-koeler	After cooler
3-8			VD6.170	VD6.210	Laadlucht-koeler	After cooler
3-9			VD6.170	VD6.210	Laadlucht-koeler	After cooler
3-10	VD4.120	VD4.140	VD6.170	VD6.210	Circulatiepomp	Coolant pump
3-11	VD4.120	VD4.140	VD6.170	VD6.210	Thermostaat	Thermostat
3-12	VD4.120	VD4.140			Zeewaterpomp SPX	Seawater pump SPX
3-13			VD6.170	VD6.210	Zeewaterpomp	Seawater pump
3-14	VD4.120	VD4.140			Bovenkap	Top cover
3-15			VD6.170	VD6.210	Bovenkap	Top cover
3-16	VD4.120	VD4.140			Buitenwater koelsysteem	Raw water cooling system
3-17	VD4.120	VD4.140			Buitenwater koelsysteem	Raw water cooling system
3-18			VD6.170	VD6.210	Buitenwater koelsysteem	Raw water cooling system
3-19			VD6.170	VD6.210	Buitenwater koelsysteem	Raw water cooling system
3-20	VD4.120	VD4.140			Intern koelsysteem	Internal cooling system
3-21			VD6.170	VD6.210	Intern koelsysteem	Internal cooling system
4-1	VD4.120	VD4.140	VD6.170	VD6.210	Elektrische uitrusting	Electrical equipment
4-2	VD4.120	VD4.140	VD6.170	VD6.210	Draadboom	Cable harnes
4-3	VD4.120	VD4.140	VD6.170	VD6.210	Bedrading ECU	Wiring ECU
4-4	VD4.120	VD4.140	VD6.170	VD6.210	Motorbedrading	Engine wiring
4-5	VD4.120	VD4.140	VD6.170	VD6.210	Bedradings assy	Wiring assy
4-6	VD4.120	VD4.140	VD6.170	VD6.210	Engine Control Unit assy	Engine Control Unit assy
4-7	VD4.120	VD4.140	VD6.170	VD6.210	Dynamo 12V-160A 1p	Alternator 12V-160A 1p
4-8	VD4.120	VD4.140	VD6.170	VD6.210	Dynamo 12V-160A 1p	Alternator 12V-160A 1p
4-9	VD4.120	VD4.140	VD6.170	VD6.210	Dynamo 24V-60A 1p	Alternator 24V-60A 1p
4-10	VD4.120	VD4.140	VD6.170	VD6.210	Dynamo 24V-60A 1p	Alternator 24V-60A 1p
4-11	VD4.120	VD4.140	VD6.170	VD6.210	Instrumenten paneel 12V	Instrument panel 12V
4-12	VD4.120	VD4.140	VD6.170	VD6.210	Instrumenten paneel 24V	Instrument panel 24V
4-13	VD4.120	VD4.140	VD6.170	VD6.210	Motorbedrading 12V-1p	Engine wiring 12V-1p
4-14	VD4.120	VD4.140	VD6.170	VD6.210	Motorbedrading 12V-2p	Engine wiring 12V-2p
4-15	VD4.120	VD4.140	VD6.170	VD6.210	Motorbedrading 24V-1p	Engine wiring 24V-1p

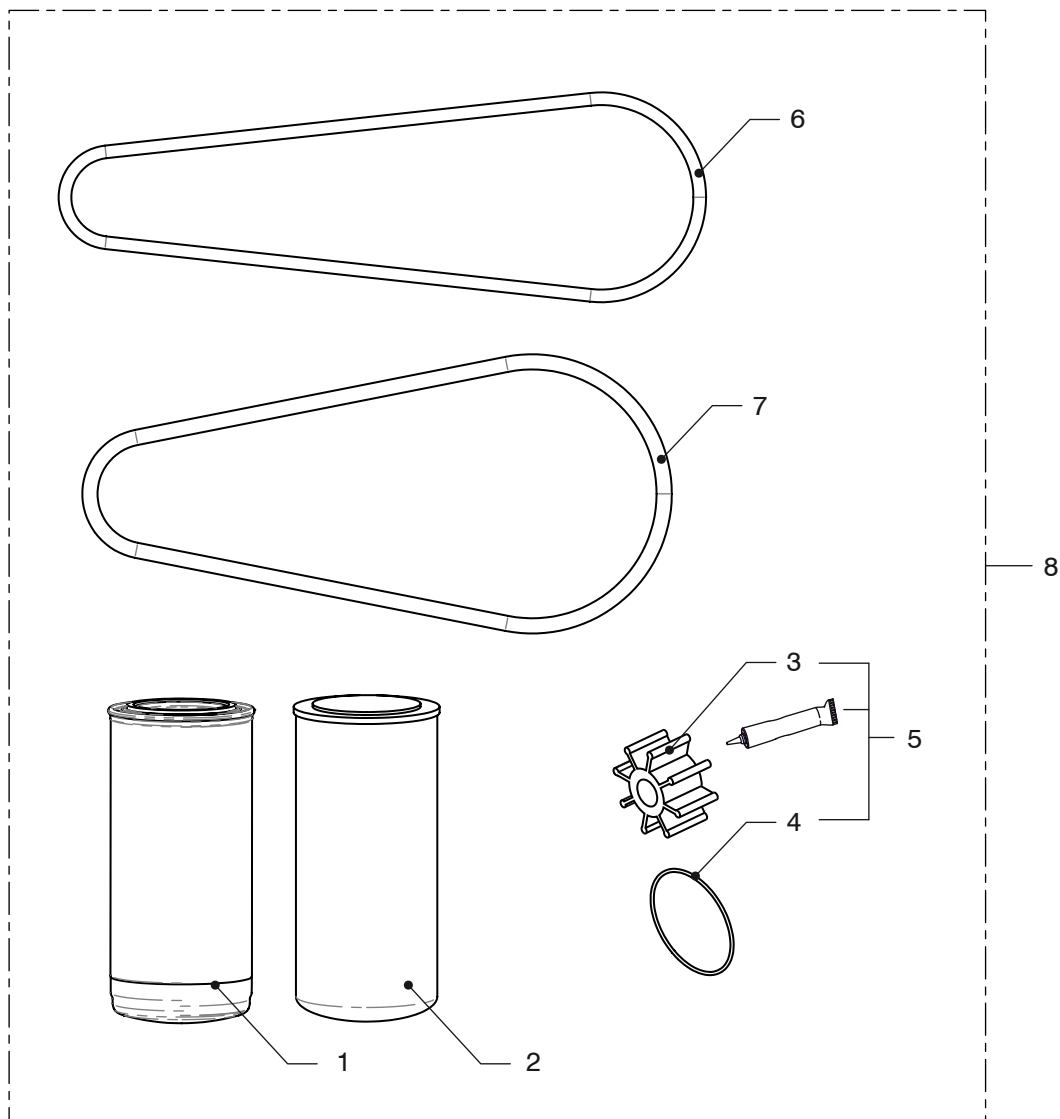
pag. page	type				omschrijving	description
4-16	VD4.120	VD4.140	VD6.170	VD6.210	Motorbedrading 24V-2p	Engine wiring 24V-2p
5-1	VD4.120	VD4.140	VD6.170	VD6.210	Montagedelen keerkoppeling	Mounting parts gearbox
5-2	VD4.120	VD4.140	VD6.170	VD6.210	Montagedelen keerkoppeling	Mounting parts gearbox
5-3	VD4.120	VD4.140	VD6.170	VD6.210	Montagedelen keerkoppeling	Mounting parts gearbox
5-4	VD4.120	VD4.140	VD6.170	VD6.210	Bediening keerkoppeling	Controls gearbox
6-1	VD4.120	VD4.140	VD6.170	VD6.210	Brandstofinjectiepomp	Fuel injection pump
6-2	VD4.120	VD4.140	VD6.170	VD6.210	Brandstofinjector	Fuel injector
6-3	VD4.120	VD4.140	VD6.170	VD6.210	Brandstofpomp	Fuel pump
6-4	VD4.120	VD4.140	VD6.170	VD6.210	Brandstofleiding	Fuel line
6-5	VD4.120	VD4.140	VD6.170	VD6.210	Retour brandstofleiding	Return fuel line
6-6	VD4.120	VD4.140			Brandstofslang	Fuel hose
6-7			VD6.170	VD6.210	Brandstofslangen	Fuel hoses
6-8			VD6.170	VD6.210	Brandstofslangen	Fuel hoses
6-9			VD6.170	VD6.210	Brandstoffilter	Fuel filter
6-10	VD4.120	VD4.140	VD6.170	VD6.210	Water separator/filterset	Water separator/filterkit
10-1	VD4.120	VD4.140	VD6.170	VD6.210	Krachtafnemer A	Power take-off A
10-2	VD4.120	VD4.140	VD6.170	VD6.210	Potentiometer assy 06-2024 <-	Potentiometer assy 06-2024 <-
10-3	VD4.120	VD4.140	VD6.170	VD6.210	Potentiometer assy 06-2024 ->	Potentiometer assy 06-2024 ->
10-4	VD4.120	VD4.140			Beluchter	Airvent
10-5			VD6.170	VD6.210	Beluchter	Airvent
10-6	VD4.120	VD4.140	VD6.170	VD6.210	Boiler aansluiting zonder afsluiters	Boiler connection without valves
10-7	VD4.120	VD4.140	VD6.170	VD6.210	Boiler aansluiting met afsluiters	Boiler connection with valves
10-8	VD4.120	VD4.140			Tweede dynamo Whisper power 24V-75A	Second alternator Whisper power 24V-75A
10-10			VD6.170	VD6.210	Tweede dynamo Whisper power 24V-75A	Second alternator Whisper power 24V-75A
10-12	VD4.120	VD4.140	VD6.170	VD6.210	Afschermkap tweede dynamo Whisper power 24V-75A	Protection cover second alternator Whisper Power 24V-75A
10-13	VD4.120	VD4.140	VD6.170	VD6.210	Stekker gasbediening	Connector throttle
10-14	VD4.120	VD4.140	VD6.170	VD6.210	Vulling	Spacer
					Register	Index



VD4.120 VD4.140 Service kit

Service kit

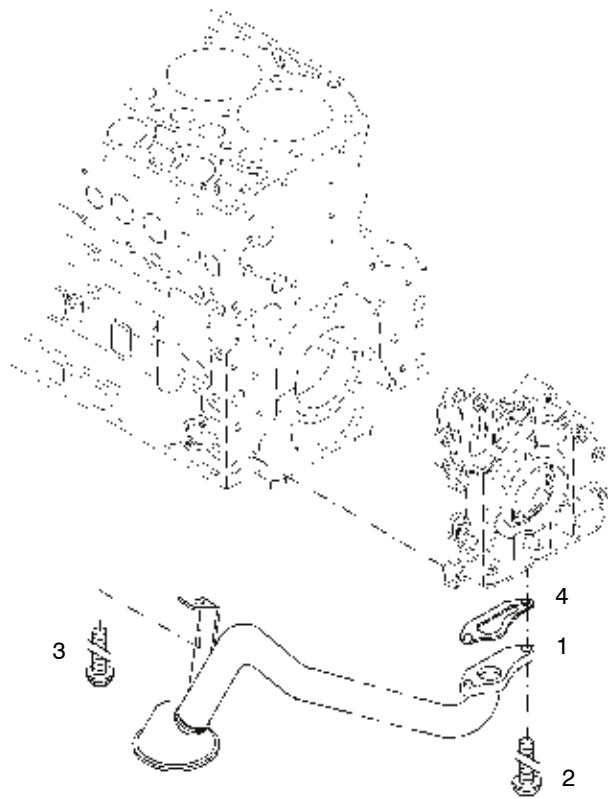
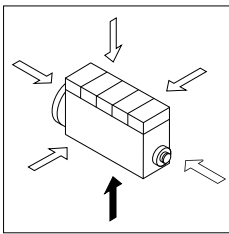
pos.	qty	part	benaming	description
1	1	17-8512	Oliefilter	Oilfilter
2	1	17-8511	Brandstoffilter	Fuel filter
3	1	DM10007	Impeller	Impeller
4	1	DM10013	O-ring	O-ring
5	1	DM10021	Impeller+O-ring	impeller+O-ring
6	1	VD20723	V-snaar brandstof opvoerpomp	V-belt Fuel lift pump
7	1	16-4258	V-snaar dynamo	V-belt alternator
8	1	STM9568	Service kit VD4	Service kit VD4



VD6.170 VD6.210 Service kit

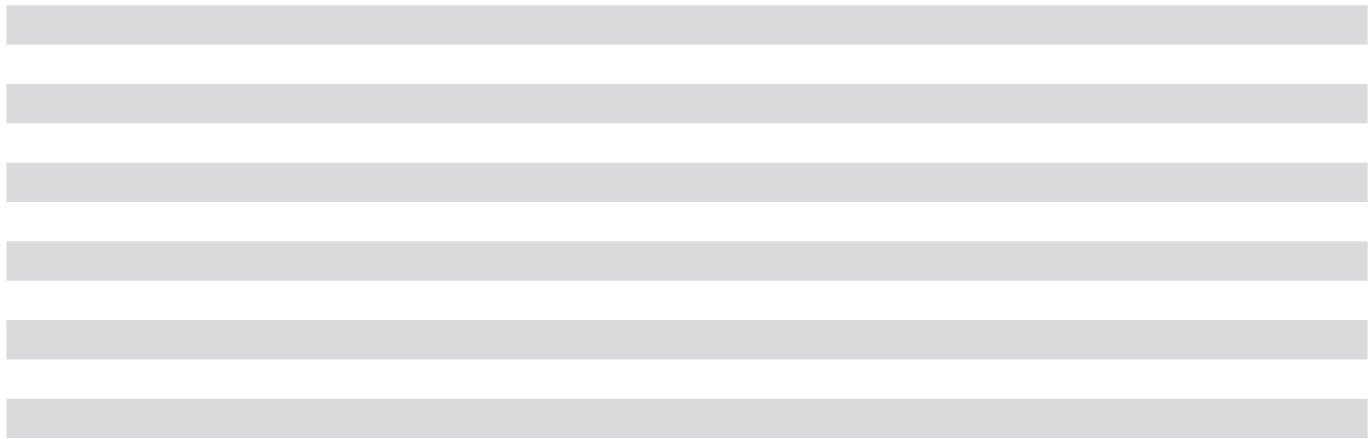
Service kit

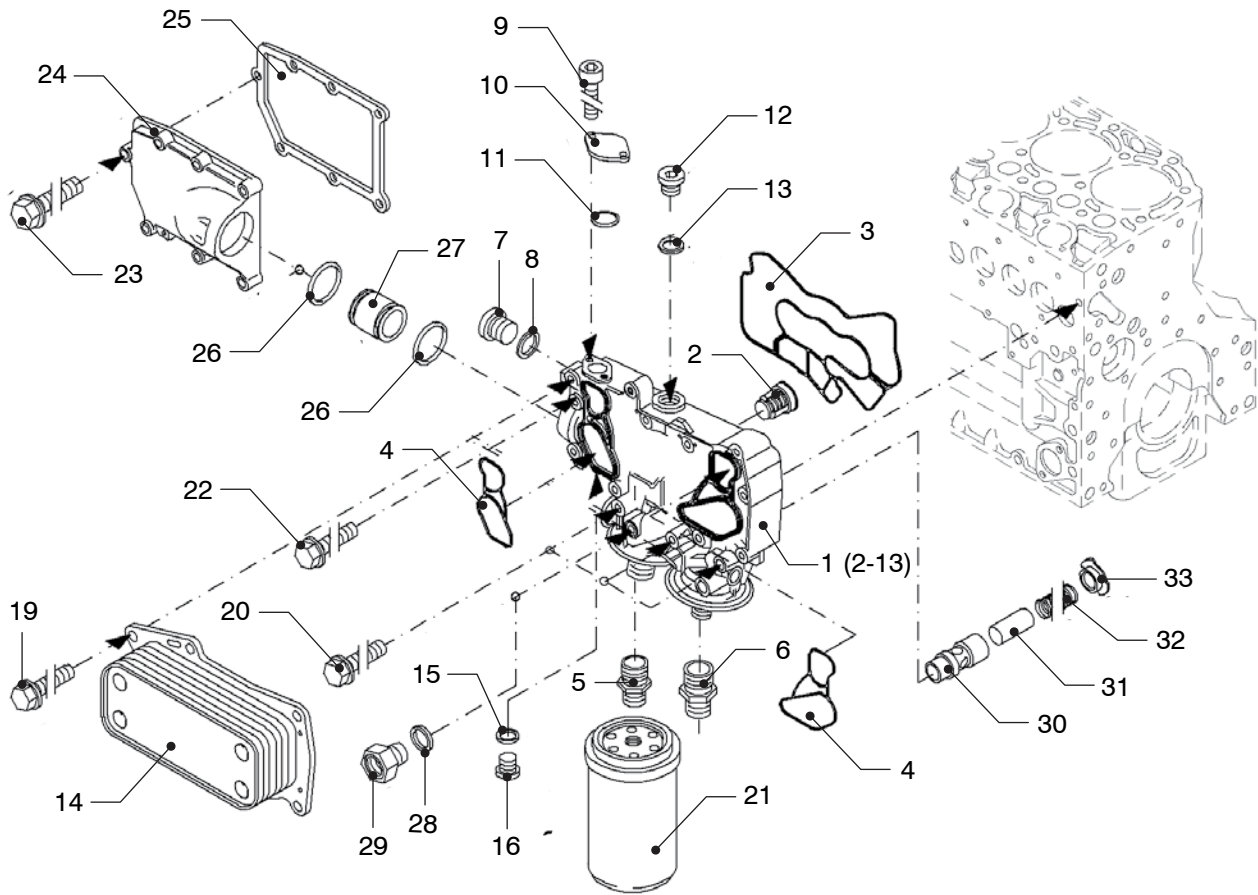
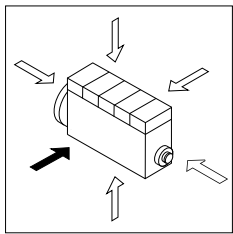
pos.	qty	part	benaming	description
1	1	17-8508	Oliefilter	Oilfilter
2	1	17-8509	Brandstoffilter	Fuel filter
3	1	DM10007	Impeller	Impeller
4	1	DM10013	O-ring	O-ring
5	1	DM10021	Impeller+O-ring	impeller+O-ring
6	1	VD20723	V-snaar brandstof opvoerpomp	V-belt Fuel liftpump
7	1	16-4258	V-snaar dynamo	V-belt alternator
8	1	STM9569	Service kit VD6	Service kit VD6



VD4.120	VD4.140	Aanzuigpijp	Oil suction pipe
VD6.170	VD6.210		

pos.	qty	part	benaming	description
1	1	DZ16001	Aanzuigpijp	Oil suction pipe
2	2	DZ16002	Zeskantbout	Hexagon bolt
3	1	DZ16003	Zeskantbout	Hexagon bolt
4	1	DZ16004	Pakking	Gasket



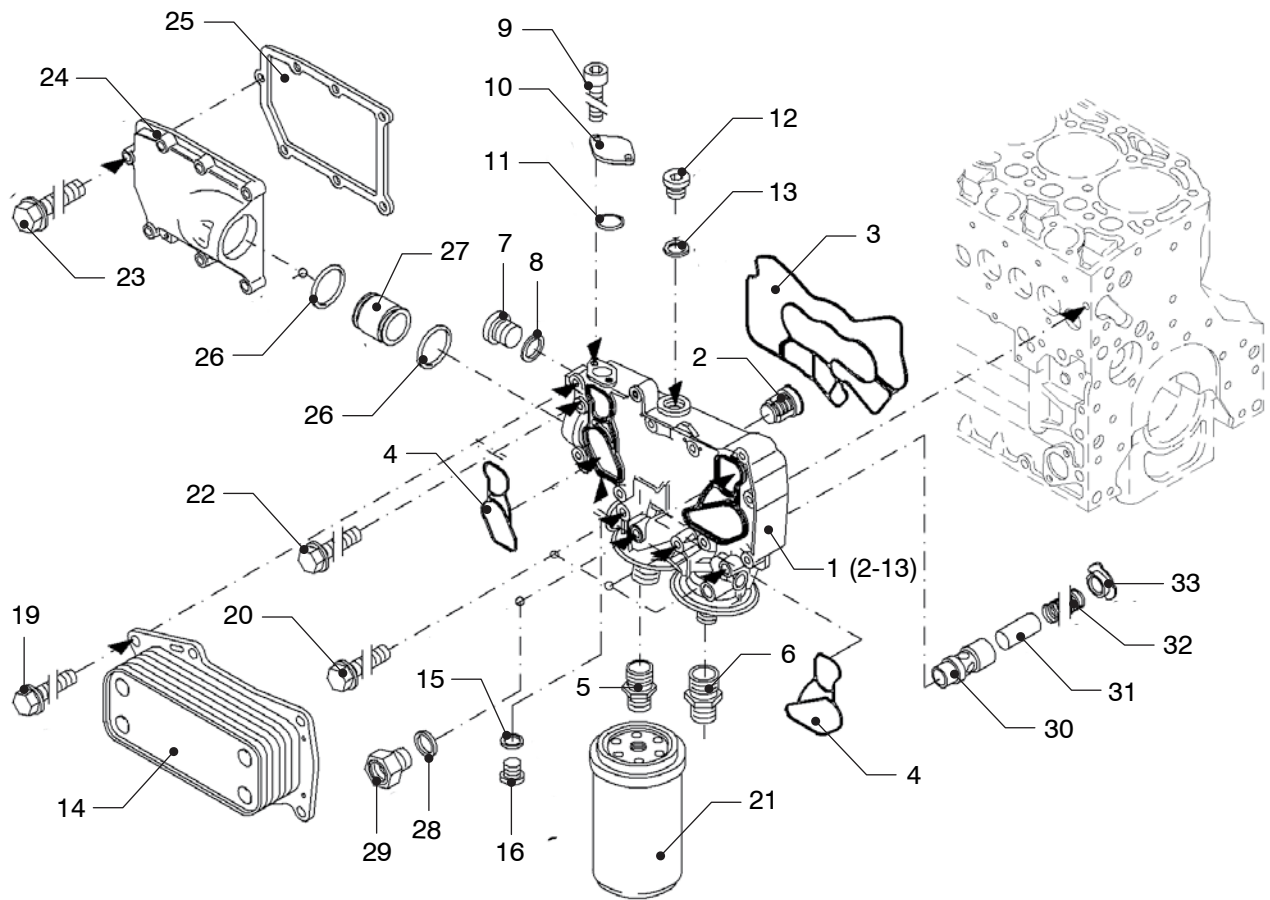
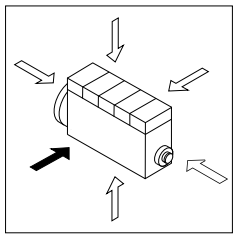


VD4.120 **VD4.140**
VD6.170 **VD6.210**

Oliekoeler

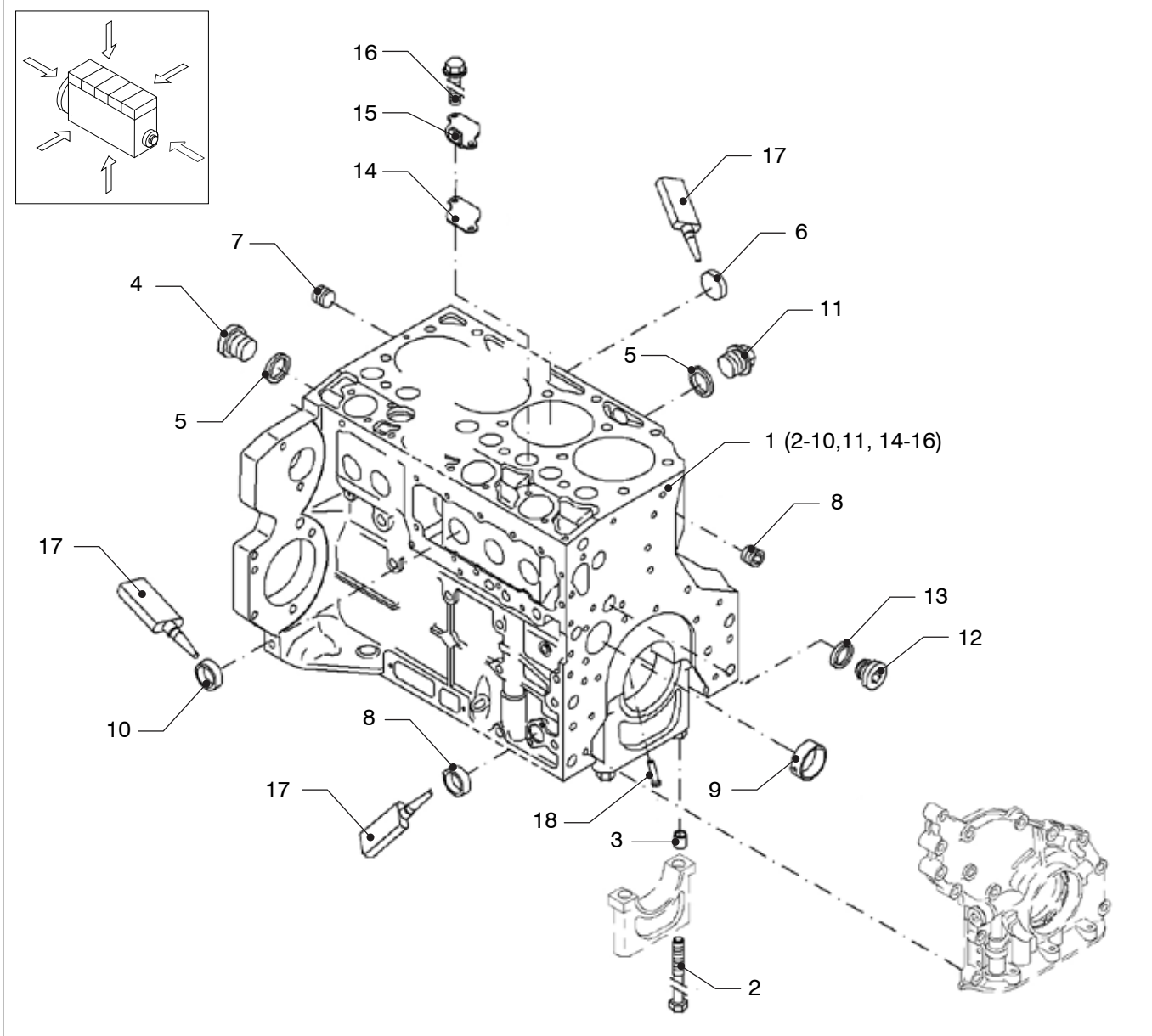
Oil cooler

pos.	qty	part	benaming	description	
1	1	DZ15001	Oliekoelerhuis	Oil cooler box	
2	1	DZ15002	Omloopdeel	By-pass component	
3	1	DZ15003	Pakking	Gasket	
4	2	DZ15004	Pakking	Gasket	
5	1	DZ15005	Draadbus	Threaded bush	
6	1	DZ15006	Verloop	Socket/adaptor	
7	1	DZ15007	Plug	Screw plug	
8	1	DZ15008	Afdichtring	Sealing ring	
9	2	DZ15009	Zeskantbout	Hexagon bolt	
10	1	DZ15010	Blind flens	Blank flange	
11	1	DZ15011	O-Ring	O-seal	
12	1	DZ15012	Plug	Screw plug	
13	1	DZ15013	Afdichtring	Sealing ring	
14	1	DZ15014	Oliekoeler	Oil cooler	VD4
	1	DZ150146	Oliekoeler	Oil cooler	VD6
15	1	DZ15015	Afdichtring	Sealing ring	
16	1	DZ15016	Plug	Screw plug	



VD4.120	VD4.140	Oliekoeler	Oil cooler
VD6.170	VD6.210		

pos.	qty	part	benaming	description	
19	7	DZ15019	Zeskantbout	Hexagon bolt	
20	3	DZ15020	Zeskantbout	Hexagon bolt	
21	1	17-8508	Oliefilter	VD6	Spin-on oil filter VD6
	1	17-8512	Oliefilter	VD4	Spin-on oil filter VD4
22	5	DZ15022	Zeskantbout	Hexagon bolt	
23	7	DZ15023	Zeskantbout	VD6	Hexagon bolt VD6
24	1	DZ15024	Deksel oliekoelerhuis	VD6	Cover oil cooler box VD6
25	1	DZ15025	Pakking	VD6	Gasket VD6
26	2	DZ15026	O-Ring	VD6	O-seal VD6
27	1	DZ15027	Plug	VD6	Plug VD6
28	1	DZ15028	Afdichtring	Sealing ring	
29	1	DZ15029	Plug	Screw plug	
30	1	DZ15041	Klepzitting	Valve seat	
31	1	DZ15042	Klepplunjer	Valve plunger	
32	1	DZ15043	Veer	Spring	
33	1	DZ15044	Klep-kap	Valve head	



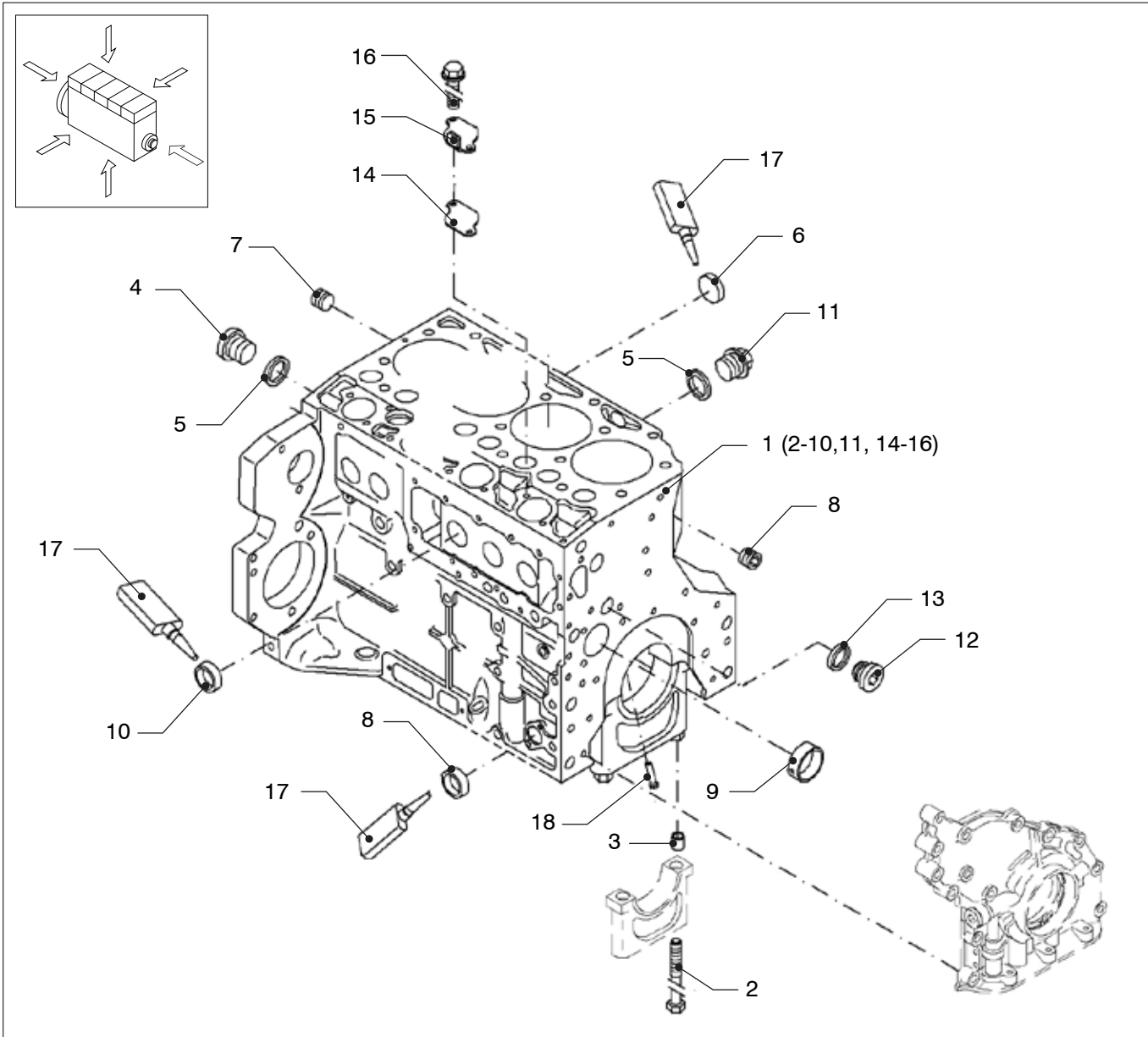
VD4.120
VD6.170

VD4.140
VD6.210

Cilinderblok

Crankcase

pos.	qty	part	benaming		description	
1	1	DZ01001	Carter	VD4	Crankcase	VD4
	1	DZ01001	Carter	VD6	Crankcase	VD6
2	10	DZ01002	Zeskantbout	VD4	Hexagon bolt	VD4
	14	DZ01002	Zeskantbout	VD6	Hexagon bolt	VD6
3	10	DZ01003	Bus	VD4	Bush	VD4
	14	DZ01003	Bus	VD6	Bush	VD6
4	1	DZ01004	Plug		Screw plug	
5	3	DZ01005	Afdichtring	VD4	Sealing ring	VD4
6	4	DZ01006	Deksel	VD4	Cover	VD4
	6	DZ01006	Deksel	VD6	Cover	VD6
7	1	DZ01008	Plug		screw plug	
8	1	DZ01009	Deksel		Cover	
9	4	DZ01010	Lagerbus	VD4	wrapped bear. Bush	VD4
	6	DZ01010	Lagerbus	VD6	wrapped bear. Bush	VD6
10	6	DZ01012	Deksel	VD4	Cover	VD4
	9	DZ01012	Deksel	VD6	Cover	VD6
11	2	DZ01014	Zeskantbout	VD4	Hexagon bolt	VD4
12	1	DZ01016	Plug		Screw plug	



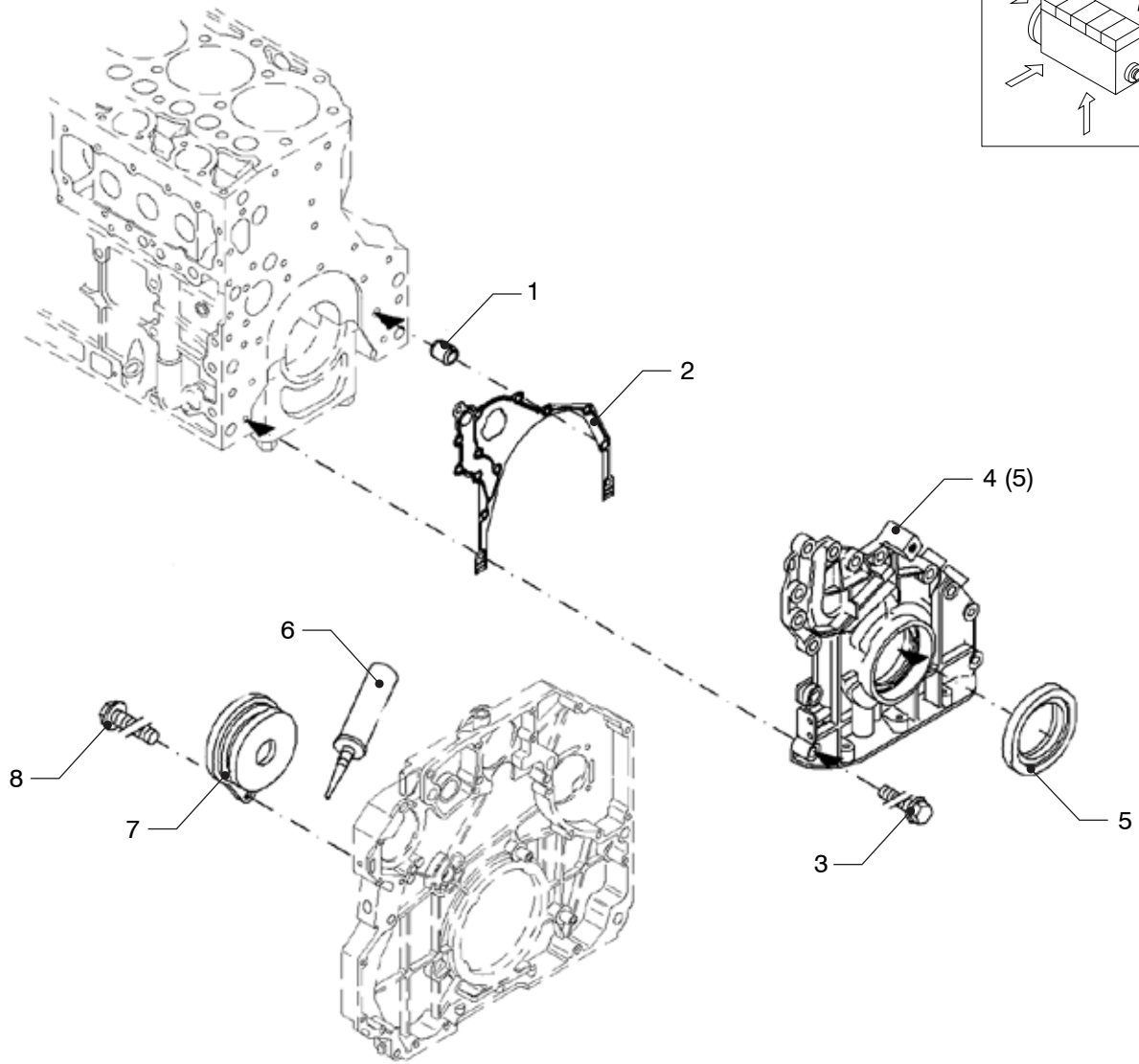
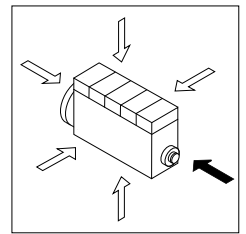
VD4.120
VD6.170

VD4.140
VD6.210

Cilinderblok

Crankcase

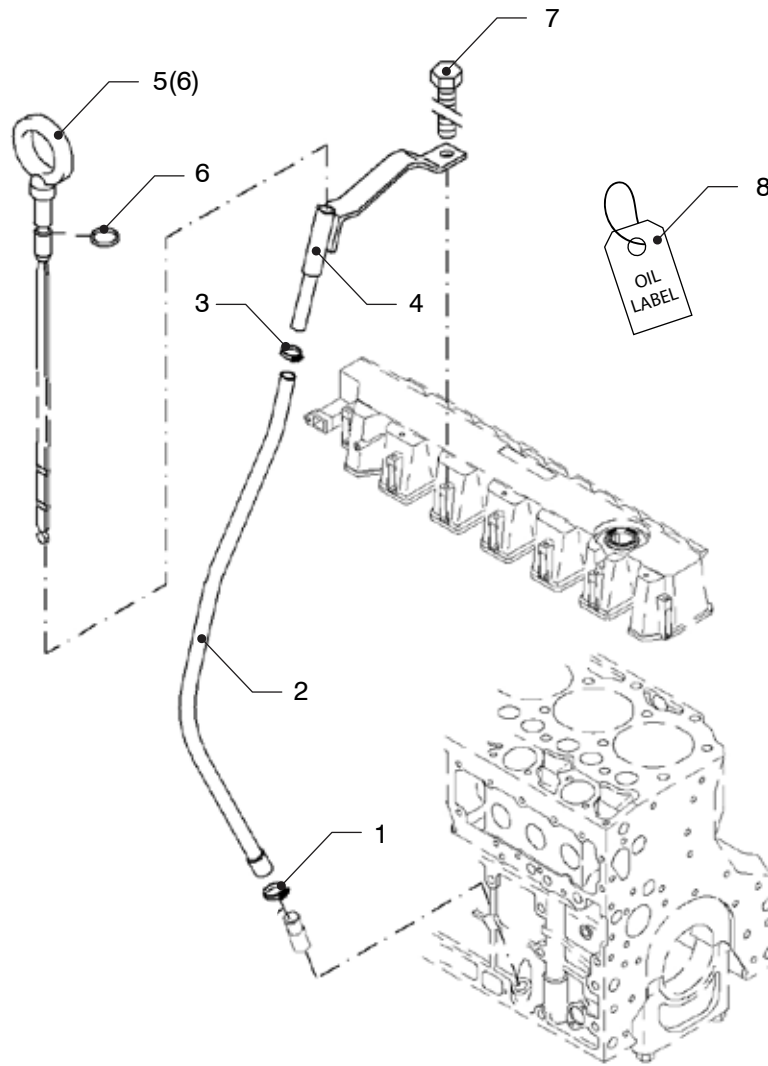
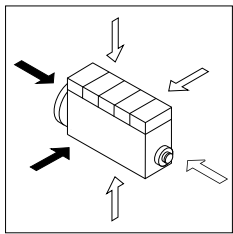
pos.	qty	part	benaming	description
13	1	DZ01017	Afdichtring	Sealing ring
14	1	DZ01024	Pakking	Gasket
15	1	DZ01025	Deksel	Cover
16	2	DZ01026	Zeskantbout	Hexagon bolt
17	1	DZ01027	Borgmiddel	Safety/lock. agent
18	1	DZ01028	Zuigerkoelsproeier	Piston cool.nozzle



VD4.120 VD4.140 Voordeksel / Oliepomp
VD6.170 VD6.210

Front cover / Oil pump

pos.	qty	part	benaming	description
1	1	DZ01040	Klembus	Clamping bush
2	1	DZ01041	Pakking	Gasket
3	12	DZ01042	Zeskantbout	Hexagon bolt
4	1	DZ01043	Voordeksel oliepomp	Frontcover-oilpump
5	1	DZ01044	Keerring	Lip seal
6	1	DZ01088	Montagepasta	Mounting device
7	1	DZ01090	Deksel	Cover
8	2	DZ01026	Zeskantbout	Hexagon bolt



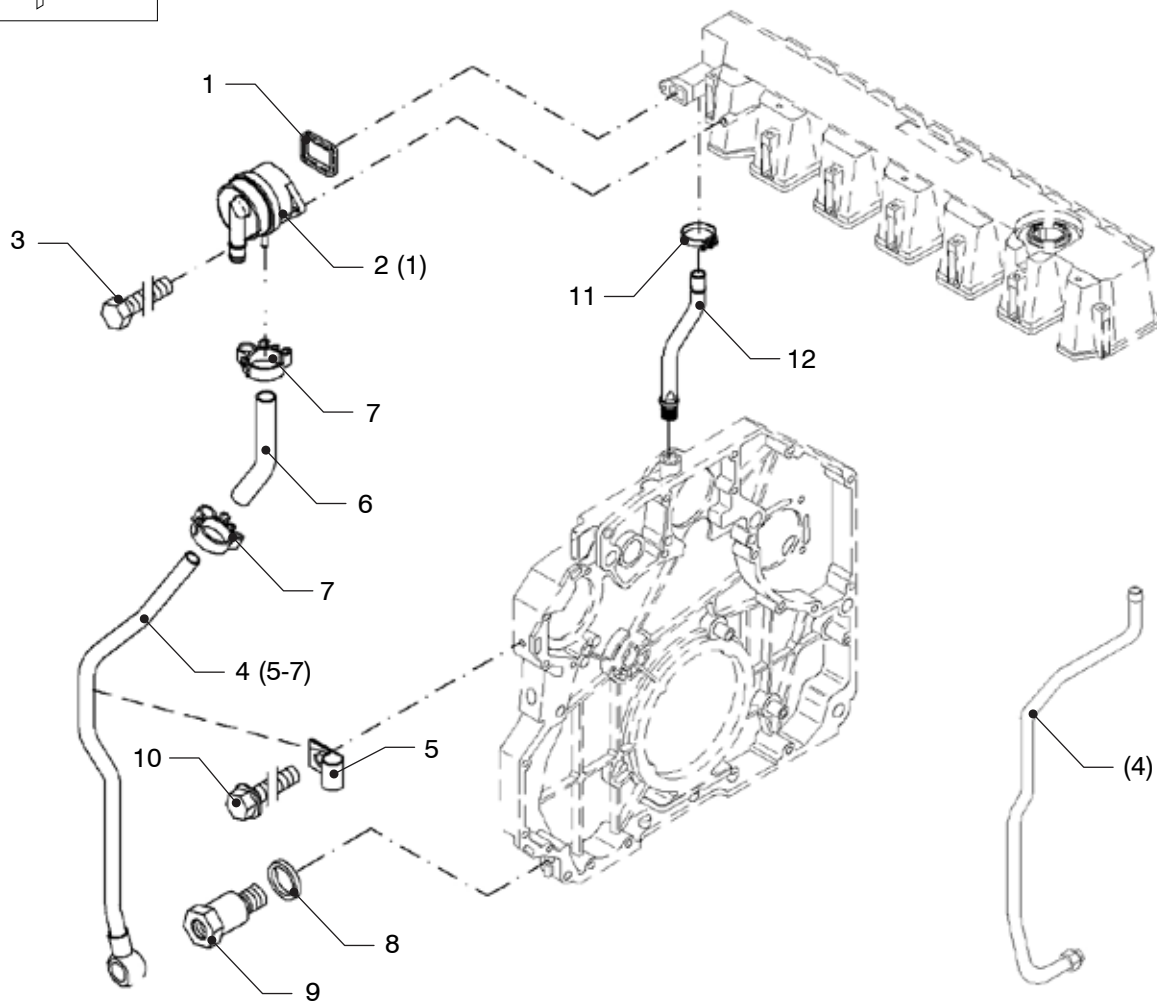
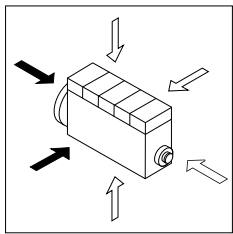
VD4.120
VD6.170

VD4.140
VD6.210

Pijlstok

Oil gauge

pos.	qty	part	benaming	description
1	1	DZ01050	Slangklem	Hose clip
2	1	DZ01051	Geleidebus	Guide tube
3	1	DZ01052	Slangklem	Hose clip
4	1	DZ01053	Beugel	Bracket
5	1	DZ01054	Peilstok	Dipstick
6	1	DZ01055	O-Ring	O-seal
7	1	DZ01097	Zeskantbout	Hexagon bolt
8	1	365199	Olie label	Oil label

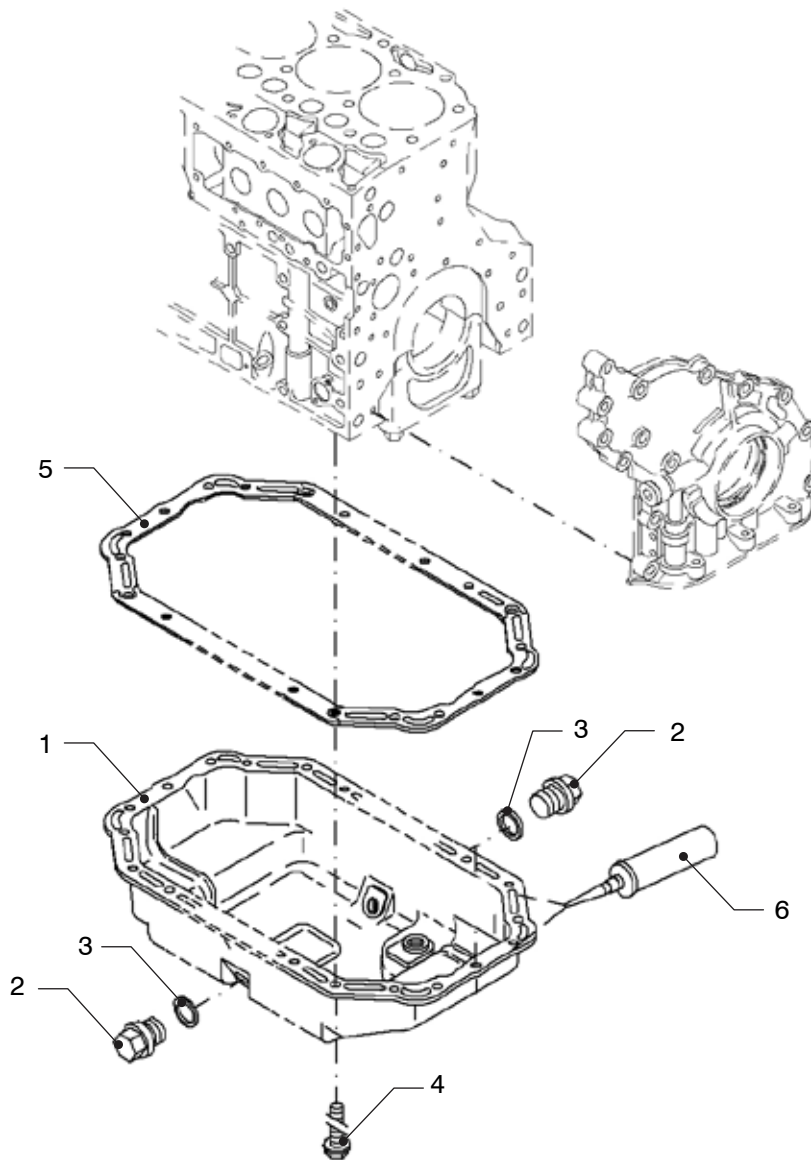
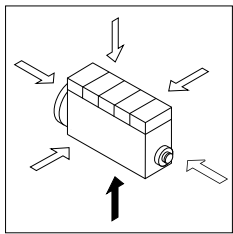


VD4.120 **VD4.140**
VD6.170 **VD6.210**

Carter ontluchting

Crankcase breather

pos.	qty	part	benaming	description
1	1	DZ01063	Pakking	Gasket
2	1	DZ01064	Carterventilatie	Crankcase breath
3	2	DZ01065	Zeskantbout	Hexagon bolt
4	1	DZ01066	Olie retourleiding	Oil return line
5	1	DZ01069	Leidingklem	Pipe clamp
6	1	DZ01070	Rubberslang	Rubber hose
7	1	DZ01071	Slangklem	Hose clip
8	1	DZ01072	Afdichtring	Sealing ring
9	1	DZ01073	Terugslagklep	Anti-drain valve
10	1	DZ01074	Zeskantbout	Hexagon bolt
11	1	DZ01075	Slangklem	Spring band clamp
12	1	DZ01084	Olie-retourleiding	Oil return line

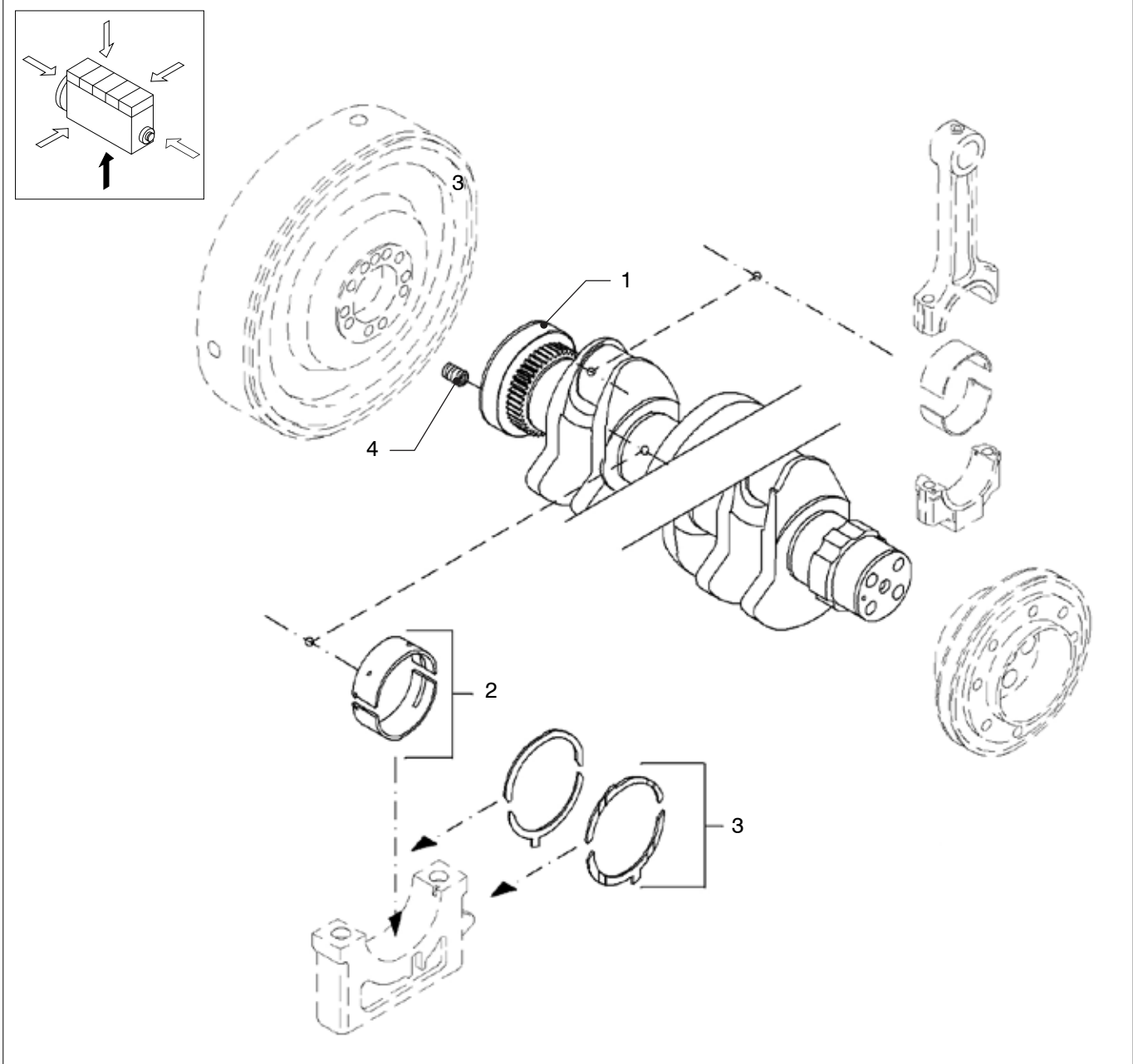


VD4.120 **VD4.140**
VD6.170 **VD6.210**

Carterpan

Oil pan

pos.	qty	part	benaming		description	
1	1	DZ02001	Carterpan	VD4	Oil pan	VD4
	1	DZ02010	Carterpan	VD6	Oil pan	VD6
2	2	DZ02002	Plug		Screw plug	
3	3	DZ02003	Afdichtring	VD4	Sealing ring	VD4
	2	DZ02003	Afdichtring	VD6	Sealing ring	VD6
4	22	DZ02004	Zeskantbout	VD4	Hexagon bolt	VD4
	28	DZ02004	Zeskantbout	VD6	Hexagon bolt	VD6
5	1	DZ02005	Pakking		Gasket	
6	1	DZ02009	Vloeibare pakking		Packing compound	

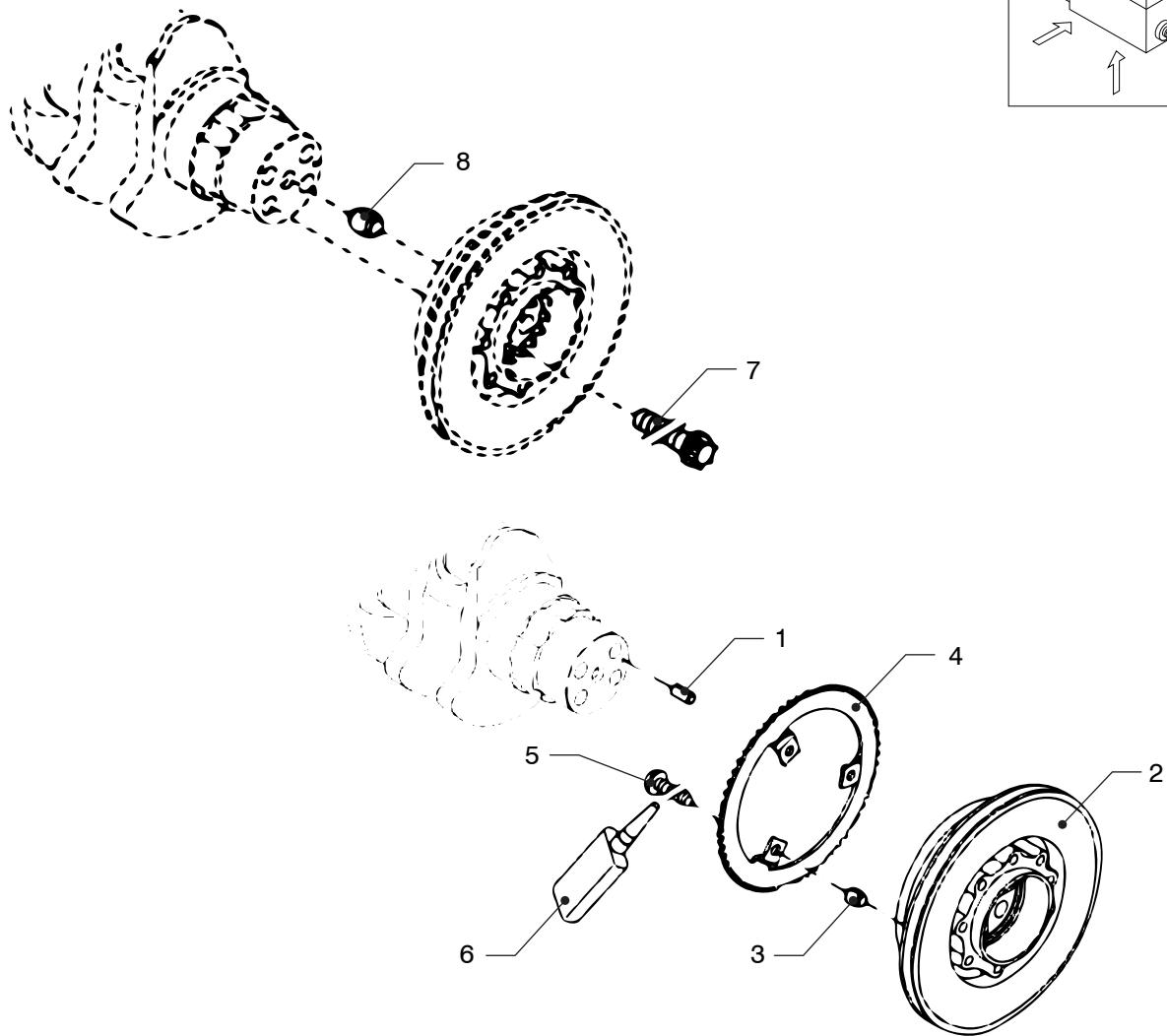
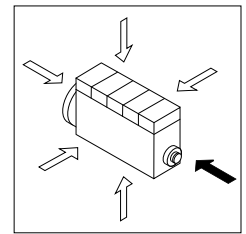


VD4.120 **VD4.140**
VD6.170 **VD6.210**

Krukas

Crankshaft

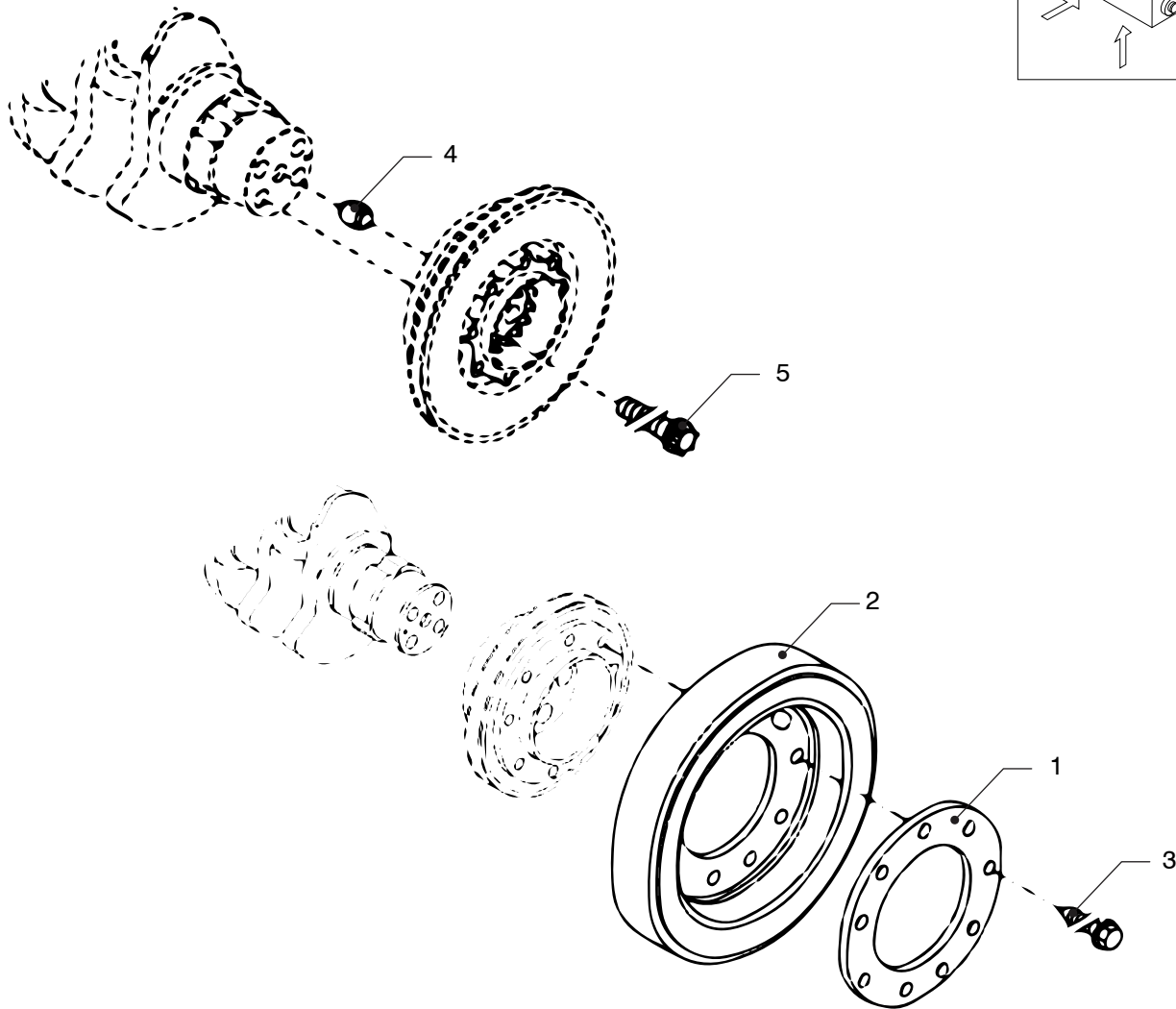
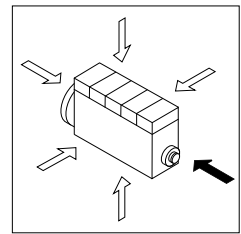
pos.	qty	part	benaming		description	
1	1	DZ05001	Krukas	VD4	Crankshaft	VD4
	1	DZ05006	Krukas	VD6	Crankshaft	VD6
2	5	DZ05002	Hoofdlagerschaal	VD4	Main bearing liner	VD4
	7	DZ05002	Hoofdlagerschaal	VD6	Main bearing liner	VD6
3	2	DZ05003	Stuwdruk lager		Thrust washer	
4	10	DZ05005	Inschroefdeel		Threaded insert	



VD4.120 VD4.140 V-snaar poelie

V-belt pulley assembly

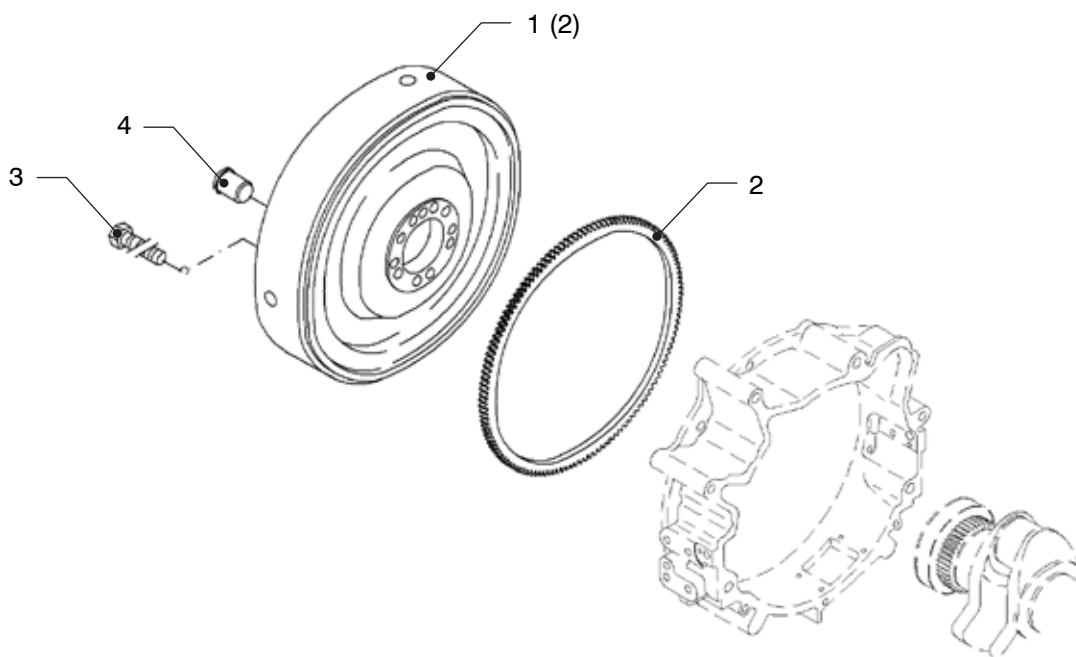
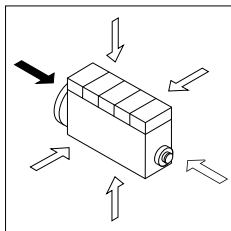
pos.	qty	part	benaming	description
1	1	DZ05020	Pen	Straight pin
2	1	DZ05021	Poelie	V-grooved pulley
3	1	DZ05022	Klembus	Clamping bush
4	1	DZ05023	Borgring	Lock washer
5	3	DZ05024	Zeskantbout	Hexagon bolt
6	1	DZ05035	Borgmiddel	Safety/lock agent
7	4	DZ05027	Torxbout	Torx-head bolt
8	1	DZ05010	Klembus	Clamping bush



VD6.170 VD6.210 V-snaar poelie

V-belt pulley assembly

pos.	qty	part	benaming	description
1	1	DZ05012	Sluistring	Plain washer
2	1	DZ05013	Trillingdemper	Vibration damper
3	9	DZ05019	Zeskantbout	Hexagon bolt
4	1	DZ05010	Klembus	Clamping bush
5	4	DZ05027	Torxbout	Torx-head bolt

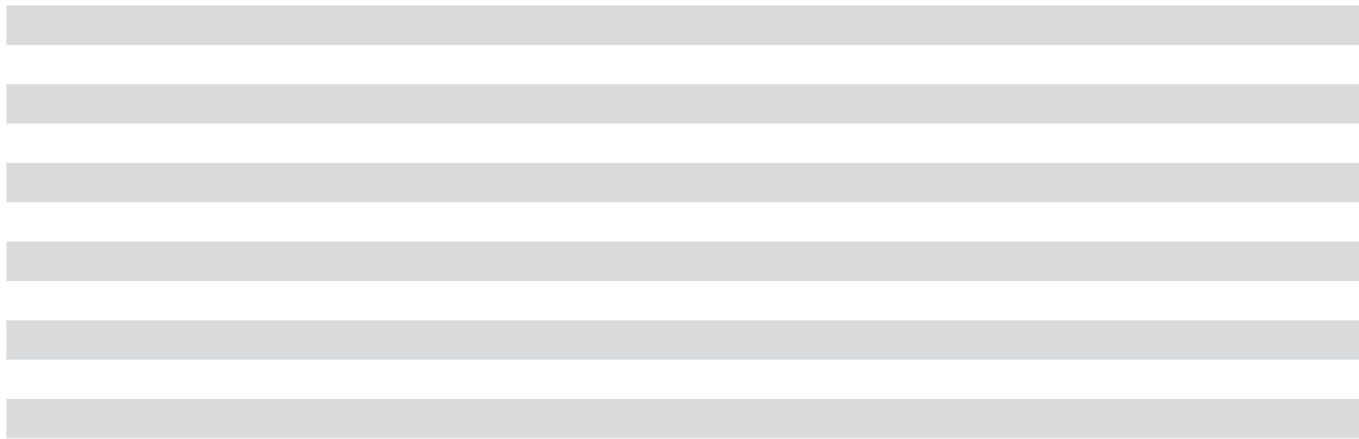


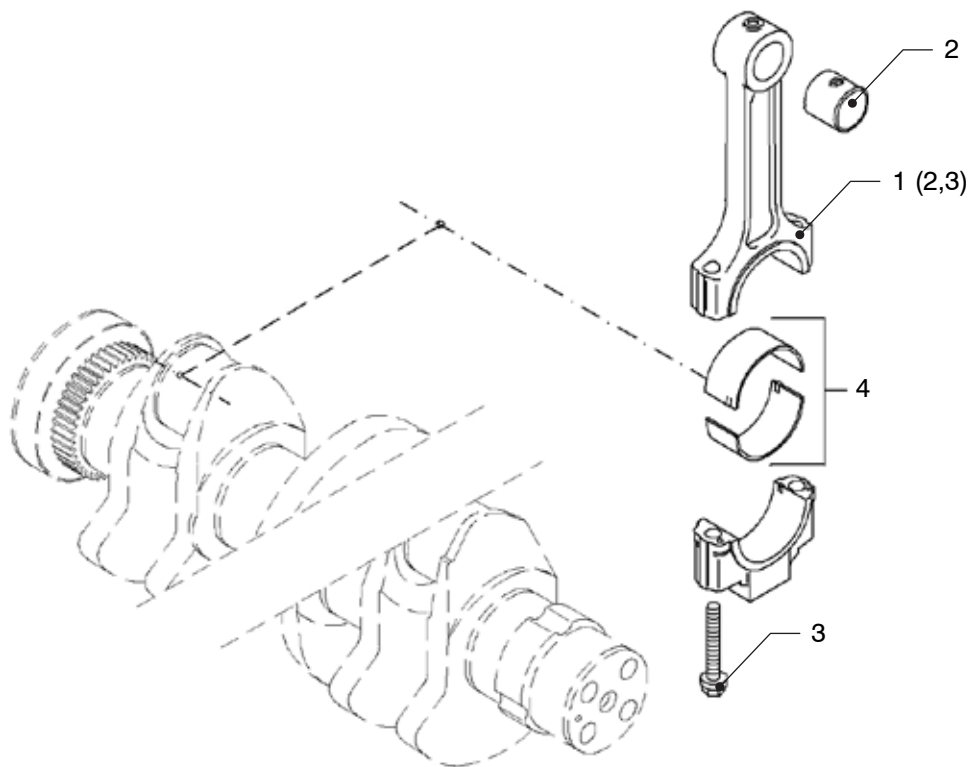
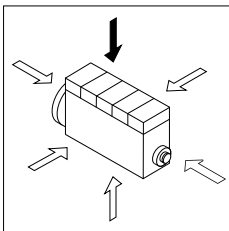
VD4.120 **VD4.140**
VD6.170 **VD6.210**

Vliegwiel

Flywheel

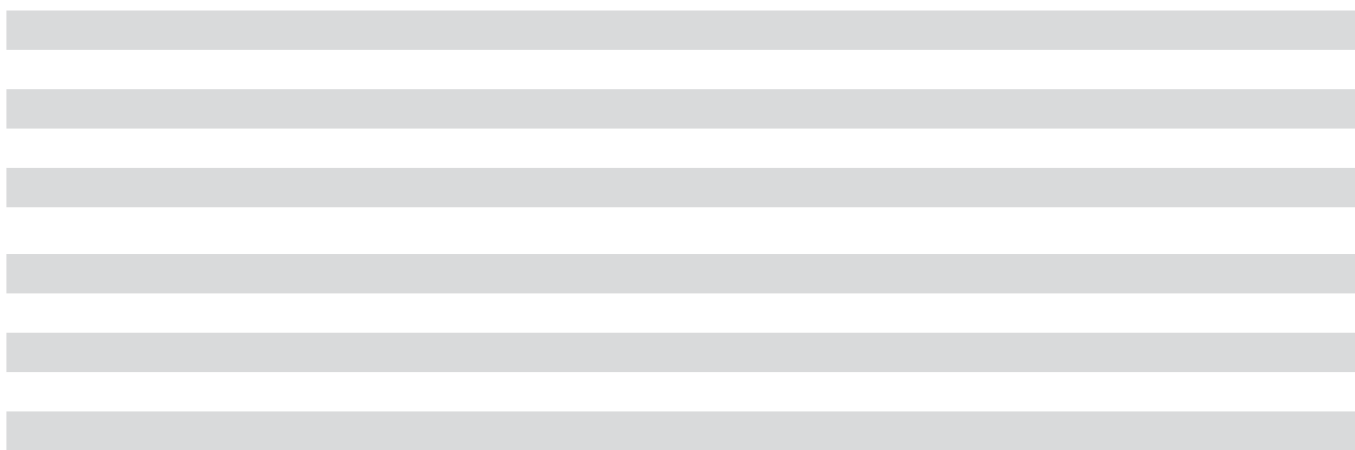
pos.	qty	part	benaming	description
1	1	DZ05040	Vliegwiel	Flywheel
2	1	DZ05041	Tandkrans	Gear rim
3	10	DZ05042	Zeskantbout	Hexagon bolt
4	5	DZ05043	Plug	Plug

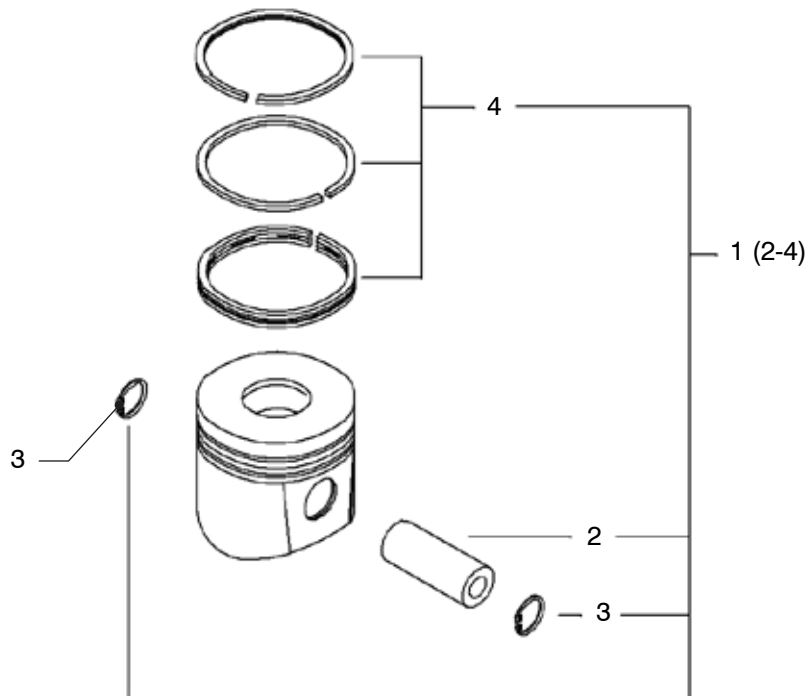
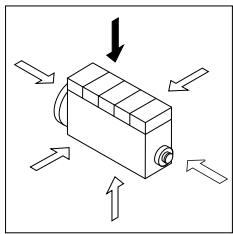




VD4.120 VD4.140 Drijfstang **VD6.170 VD6.210** **Connecting rod**

pos.	qty	part	benaming	description
1	1	DZ06001	Drijfstang	Connecting rod
2	1	DZ06002	Lager drijfstangoog	Small end bearing
3	2	DZ06003	Bout	Big end bolt
4	1	DZ06005	Drijfstanglager (set van 2)	Conrod bearing (set of 2)

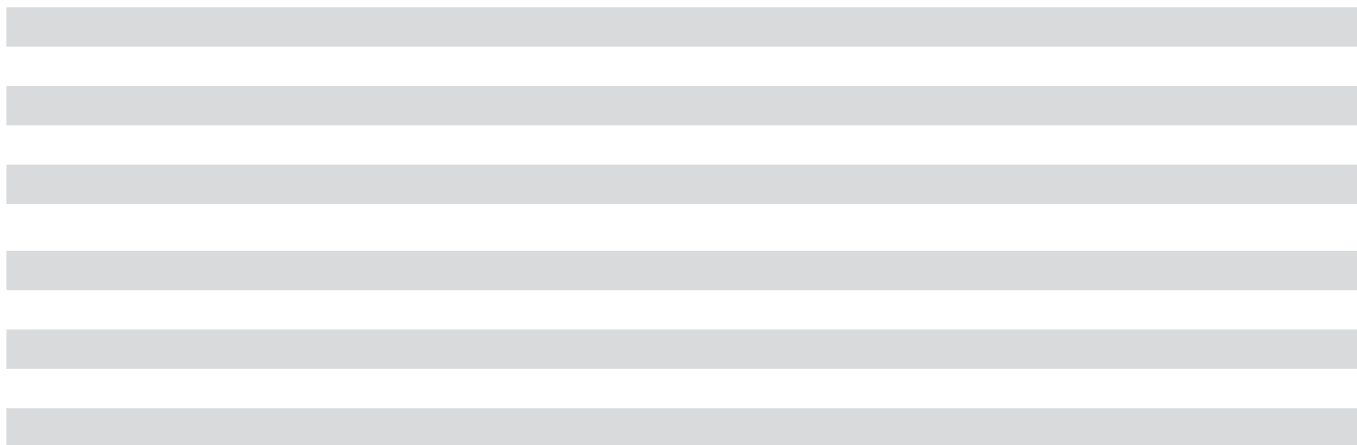


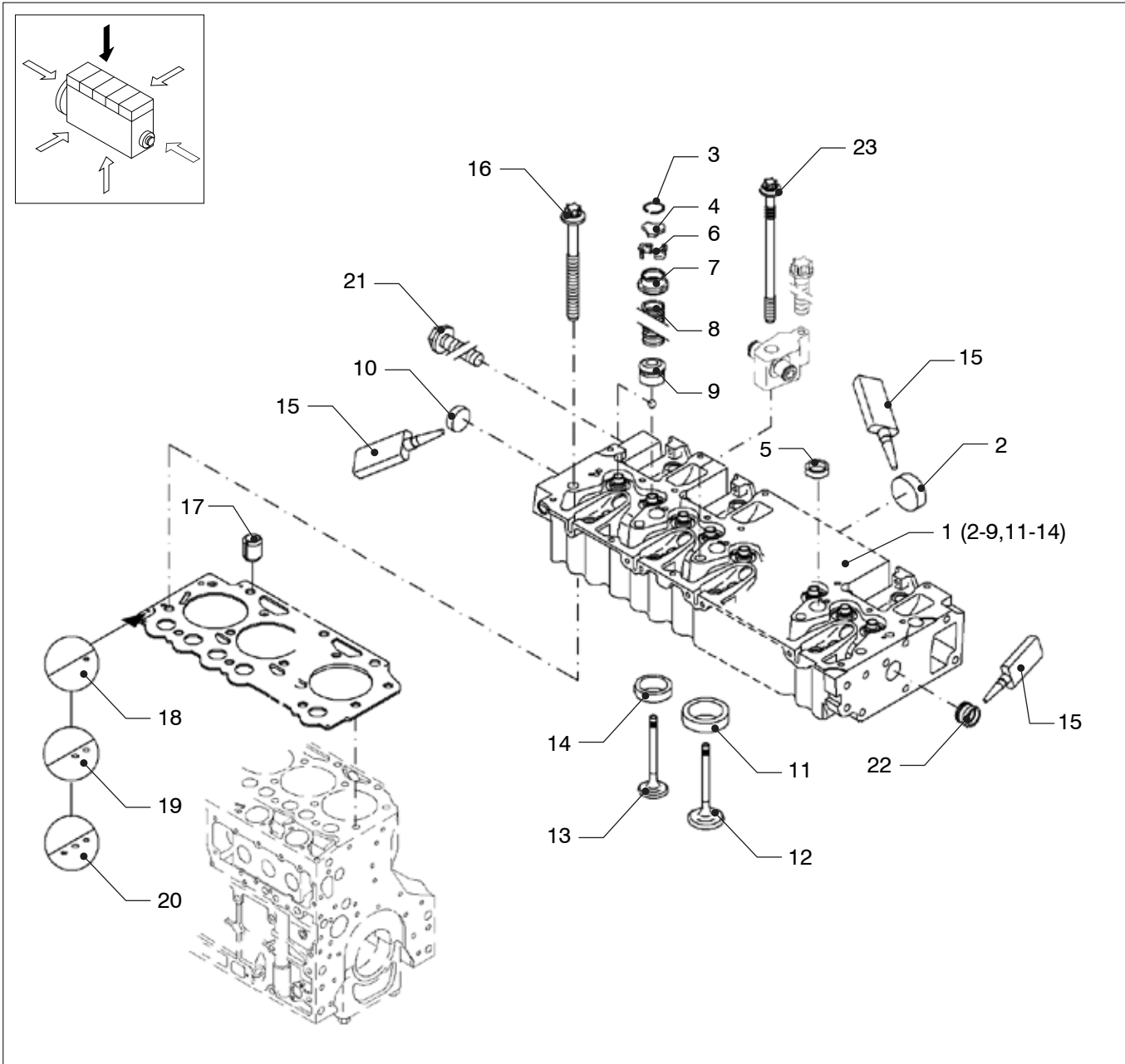


VD4.120 **VD4.140** **Zuiger**
VD6.170 **VD6.210**

Piston

pos.	qty	part	benaming		description	
1	1	VP000119	Zuigerveren set voor 1 zuiger	VD4	Piston ring set for 1 piston	VD4
2	1	DZ07002	Zuigerpen		Piston pin	
3	2	DZ07003	Borgring		Circlip	
4	1	DZ07004	Set zuigerveren voor 1 zuiger		Set piston rings for 1 piston	

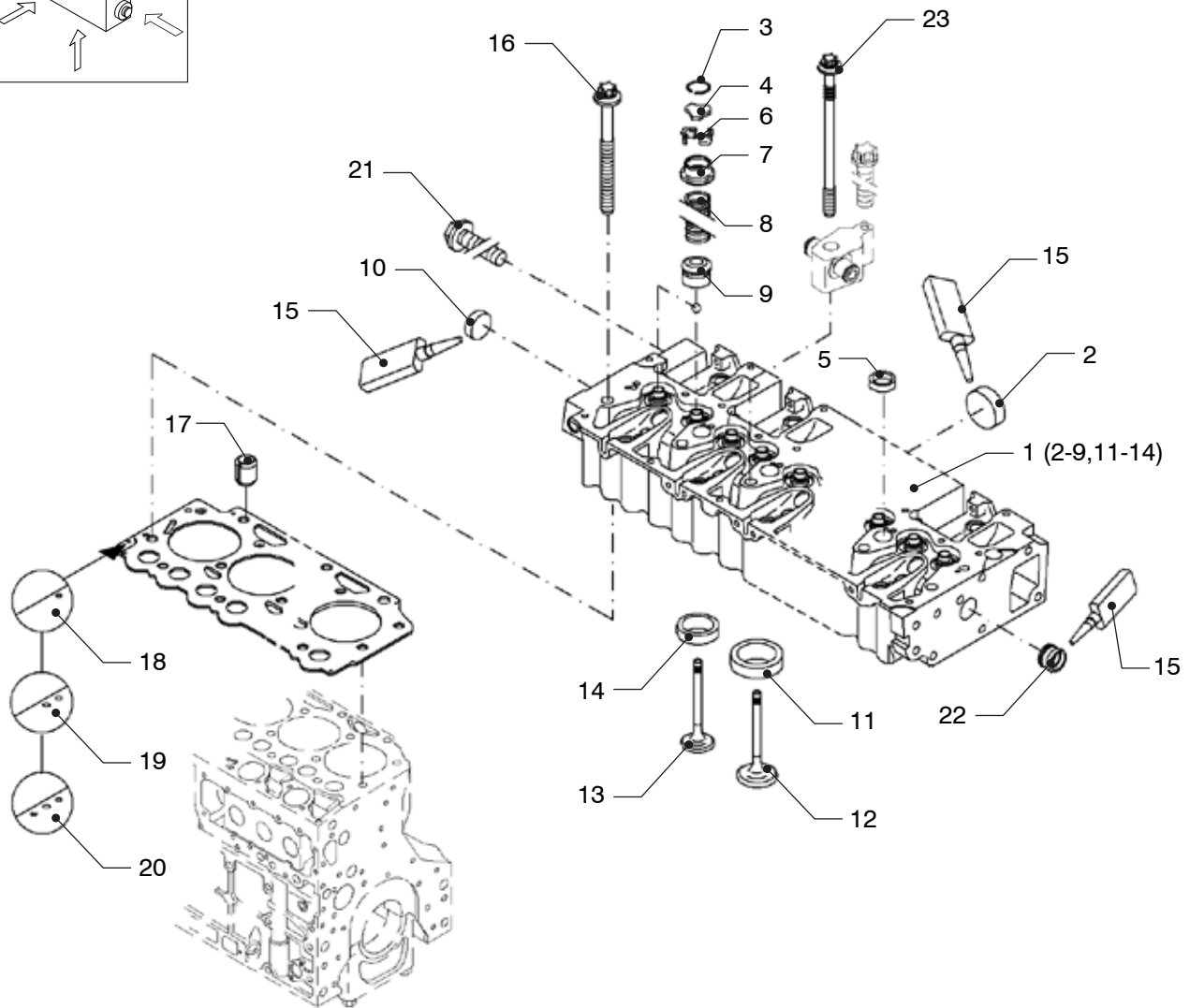
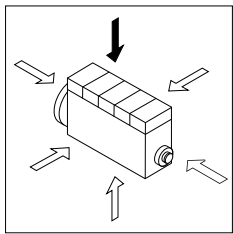




VD4.120 **VD4.140** **Cilinderkop**
VD6.170 **VD6.210**

Cylinder head

pos.	qty	part	benaming	description
1	1	DZ08001	Cilinderkop	Cylinder head
2	3	DZ08002	Plug	Core hole plug
3	8	DZ08003	Springring	Snap ring
4	8	DZ08004	Veerschotel	Valve spring retainer
5	3	DZ08005	Plug	Core hole plug
6	16	DZ08006	Halve kegel spie	Valve collet
7	8	DZ08007	Veerschotel	Spring cap
8	8	DZ08008	Drukveer	Compression spring
9	8	VP000120	Klepsteel afdichting	Valve stem seal
10	1	DZ08038	Plug	Core hole plug
11	4	DZ08011	Klepzitting	Valve seat insert
12	4	DZ08012	Inlaatklep	Inlet valve
13	4	DZ08013	Uitlaatklep	Exhaust valve
14	4	DZ08014	Klepzitting	Valve seat insert
15	1	DZ08015	Borgmiddel	Safety/lock agent



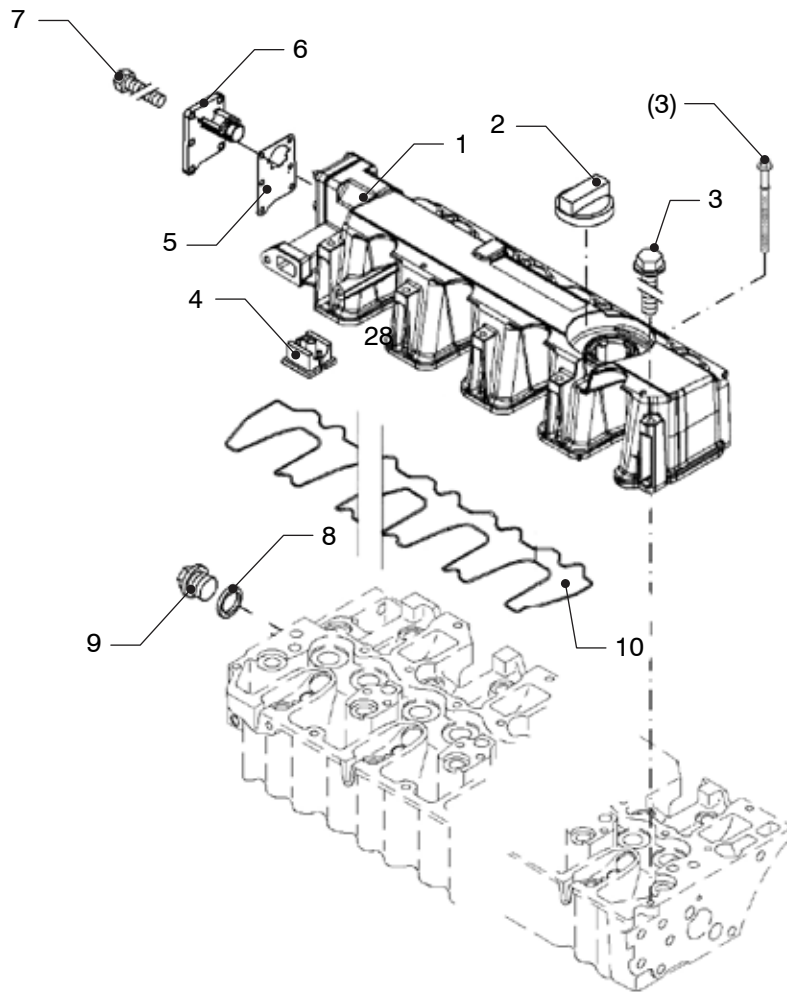
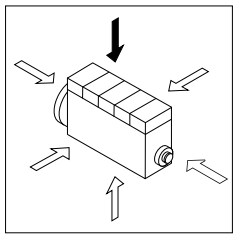
VD4.120
VD6.170

VD4.140
VD6.210

Cilinderkop

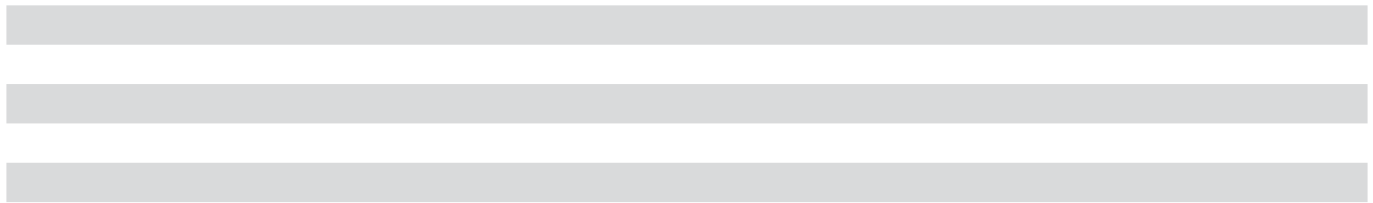
Cylinder head

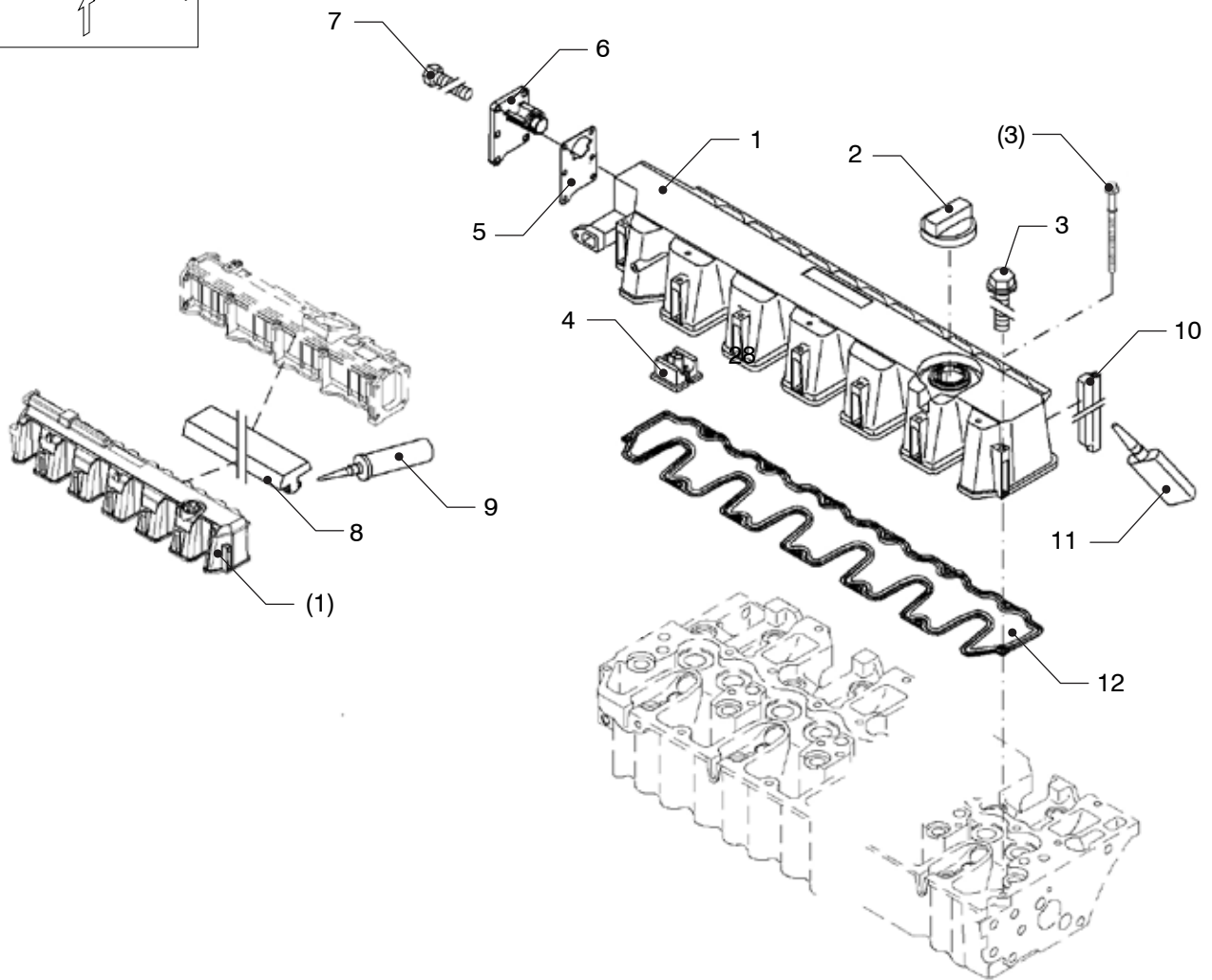
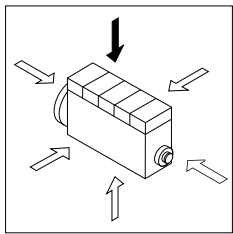
pos.	qty	part	benaming		description	
16	13	DZ08016	Cilinderkopbout M12X108 mm	VD4	Cylinder head bolt M12X108 mm	VD4
19		DZ08016	Cilinderkopbout M12X108 mm	VD6	Cylinder head bolt M12X108 mm	VD6
17	2	DZ08017	Klembus		Clamping bush	
18	1	VP000121	Cilinderkop pakking (1 gat)	VD4	Cylinder head gasket (1 hole)	VD4
	1	VP000124	Cilinderkop pakking (1 gat)	VD6	Cylinder head gasket (1 hole)	VD6
19	1	VP000122	Cilinderkop pakking (2 gaats)	VD4	Cylinder head gasket (2 holes)	VD4
	1	VP000125	Cilinderkop pakking (2 gaats)	VD6	Cylinder head gasket (2 holes)	VD6
20	1	VP000123	Cilinderkop pakking (3 gaats)	VD4	Cylinder head gasket (3 holes)	VD4
	1	VP000126	Cilinderkop pakking (3 gaats)	VD6	Cylinder head gasket (3 holes)	VD6
21	2	DZ08022	Zeskantbout		Hexagon bolt	
22	1	DZ08023	Plug		Plug	
23	5	DZ08024	Cilinderkopbout M12X108 mm	VD4	Cylinder head bolt M12X108 mm	VD4
	7	DZ08024	Cilinderkopbout M12X108 mm	VD6	Cylinder head bolt M12X108 mm	VD6



VD4.120 VD4.140 Kleppendeksel Valve mechanism cover

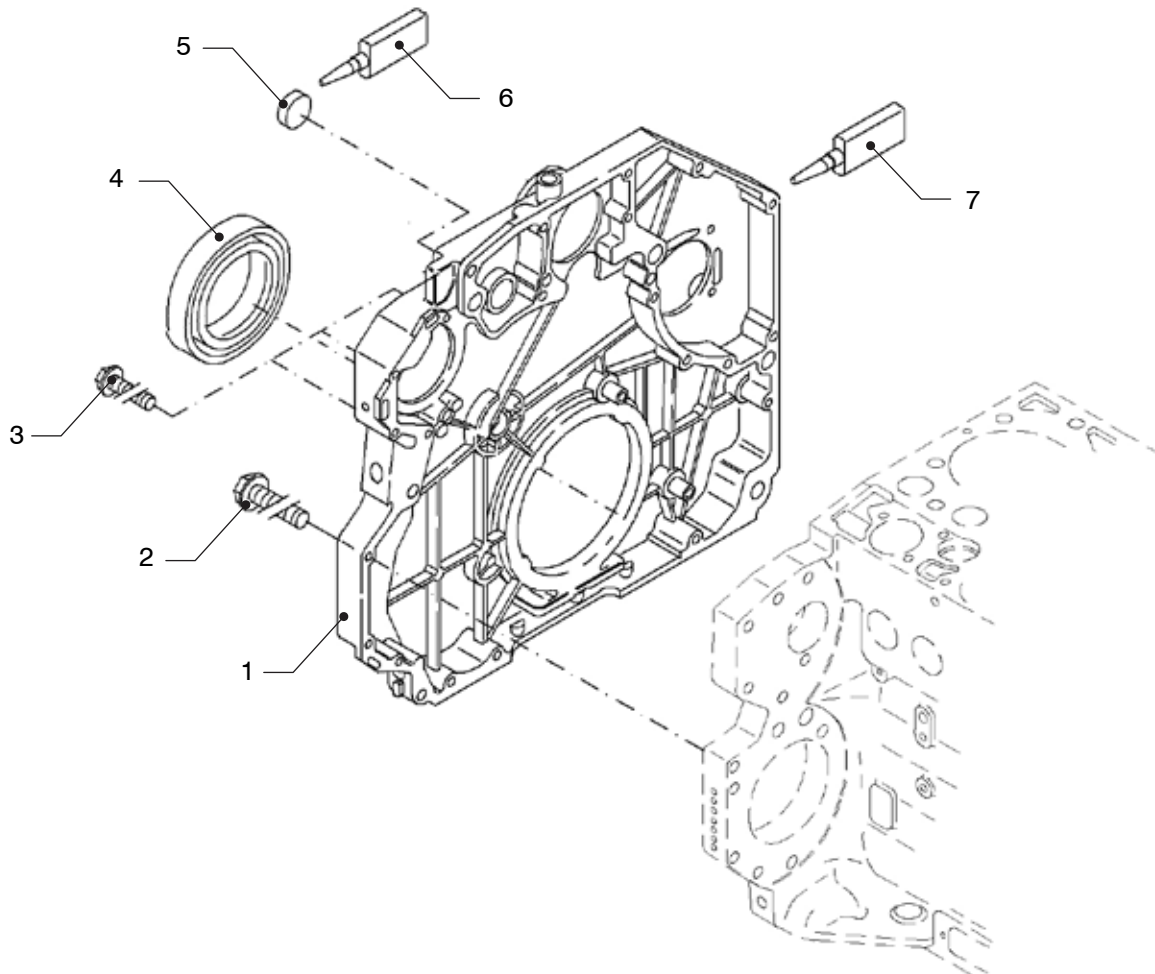
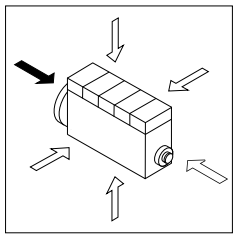
pos.	qty	part	benaming	description
1	1	DZ08030	Kleppendeksel	Valve cover
2	1	DZ08032	Vuldop	Filler cap
3	9	DZ08033	Zeskantbout	Hexagon bolt
4	1	DZ08034	Dop	Cap
5	1	DZ08035	Pakking	Gasket
6	1	DZ08036	Olie afscheider eenheid	Oil sepparator unit
7	6	DZ08037	Zeskantbout	Hexagon bolt
8	1	DZ08040	Afdichtring	Sealing ring
9	1	DZ08041	Plug	Screw plug
10	1	DZ08031	Pakking	Gasket





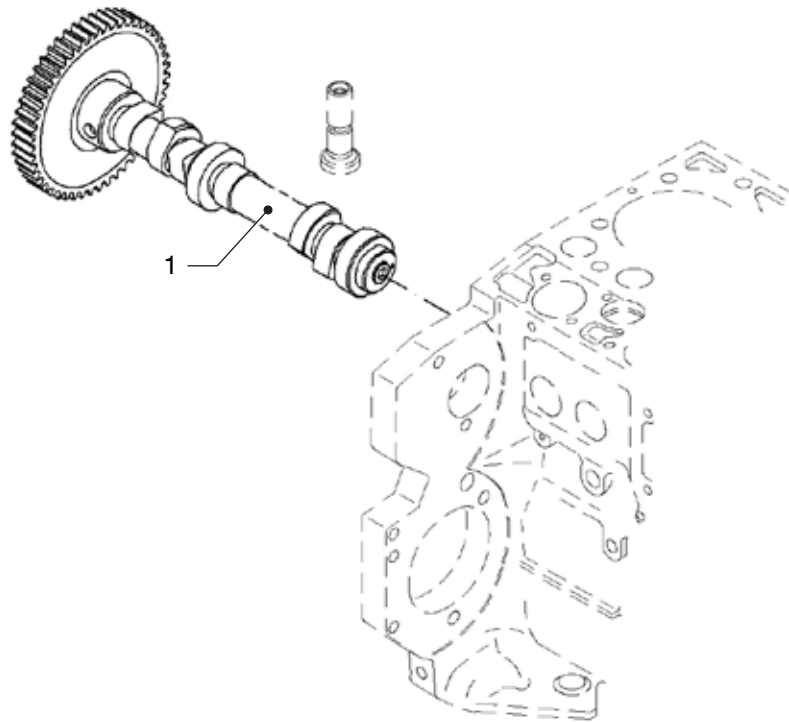
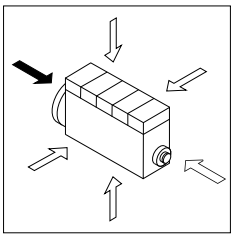
VD6.170 VD6.210 Kleppendeksel Valve mechanism cover

pos.	qty	part	benaming	description
1	1	DZ08030	Kleppendeksel	Valve cover
2	1	DZ08032	Vuldop	Filler cap
3	13	DZ08033	Zeskantbout	Hexagon bolt
4	1	DZ08034	Dop	Cap
5	1	DZ08035	Pakking	Gasket
6	1	DZ08036	Olie afscheider eenheid	Oil separator unit
7	6	DZ08037	Zeskantbout	Hexagon bolt
8	1	DZ08051	Afdichtprofiel	Sealing section
9	1	DZ08052	Montagepasta	Assembly compound
10	2	DZ08055	Stofafdichting	Dust seal
11	1	DZ08056	Lijm	Glue
12	1	DZ080316	Pakking	Gasket

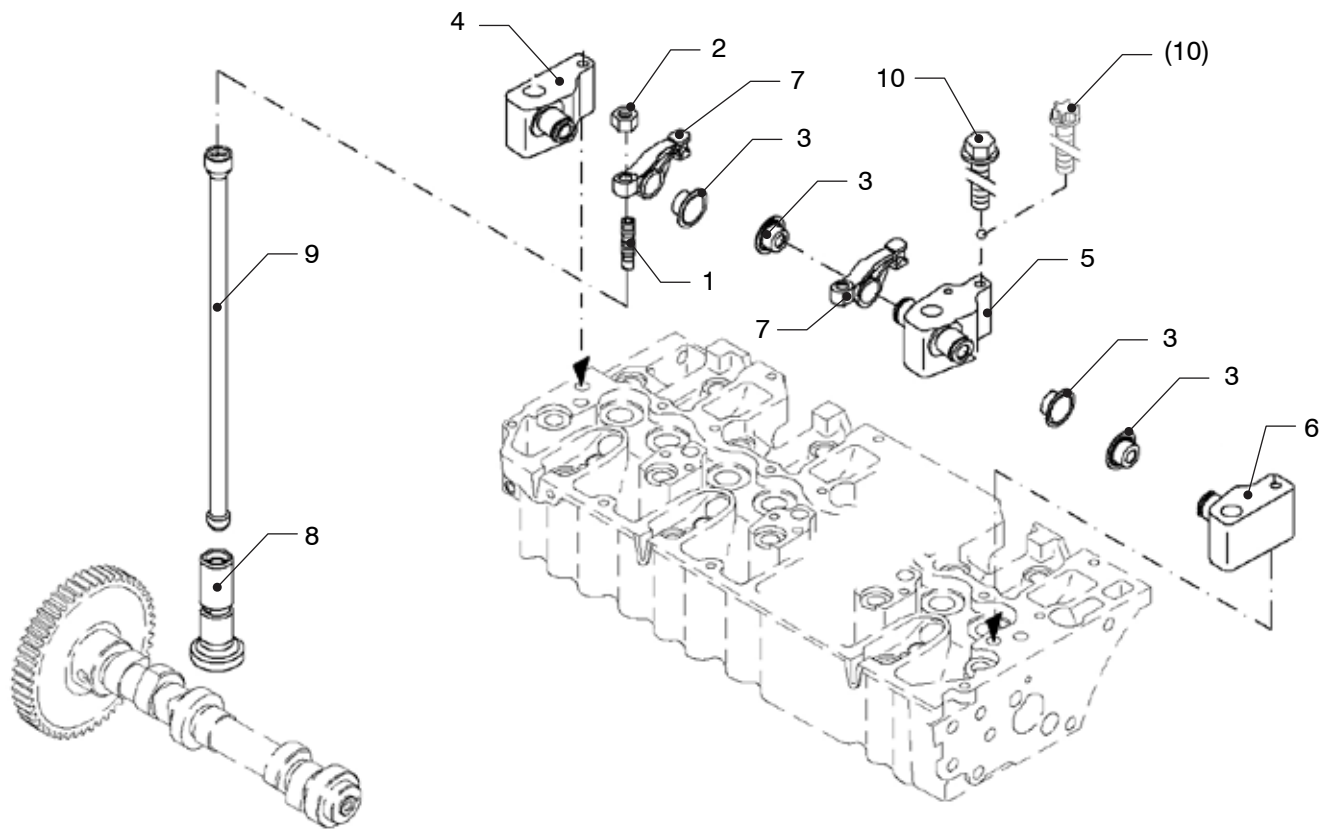
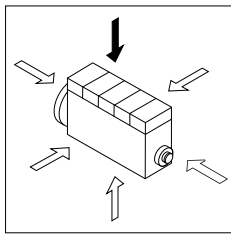


VD4.120	VD4.140	Distributiedeksel	Gearcase cover
VD6.170	VD6.210		

pos.	qty	part	benaming	description
1	1	DZ09001	Distributiedeksel	Gearcase
2	12	DZ09002	Zeskantbout	Hexagon bolt
3	4	DZ09003	Zeskantbout	Hexagon bolt
4	1	DZ09004	Keerring	Lip seal
5	1	DZ09007	Plug	Plug
6	1	DZ09008	Vloeibare pakking	Packing compound
7	1	DZ09009	Vloeibare pakking	Packing compound



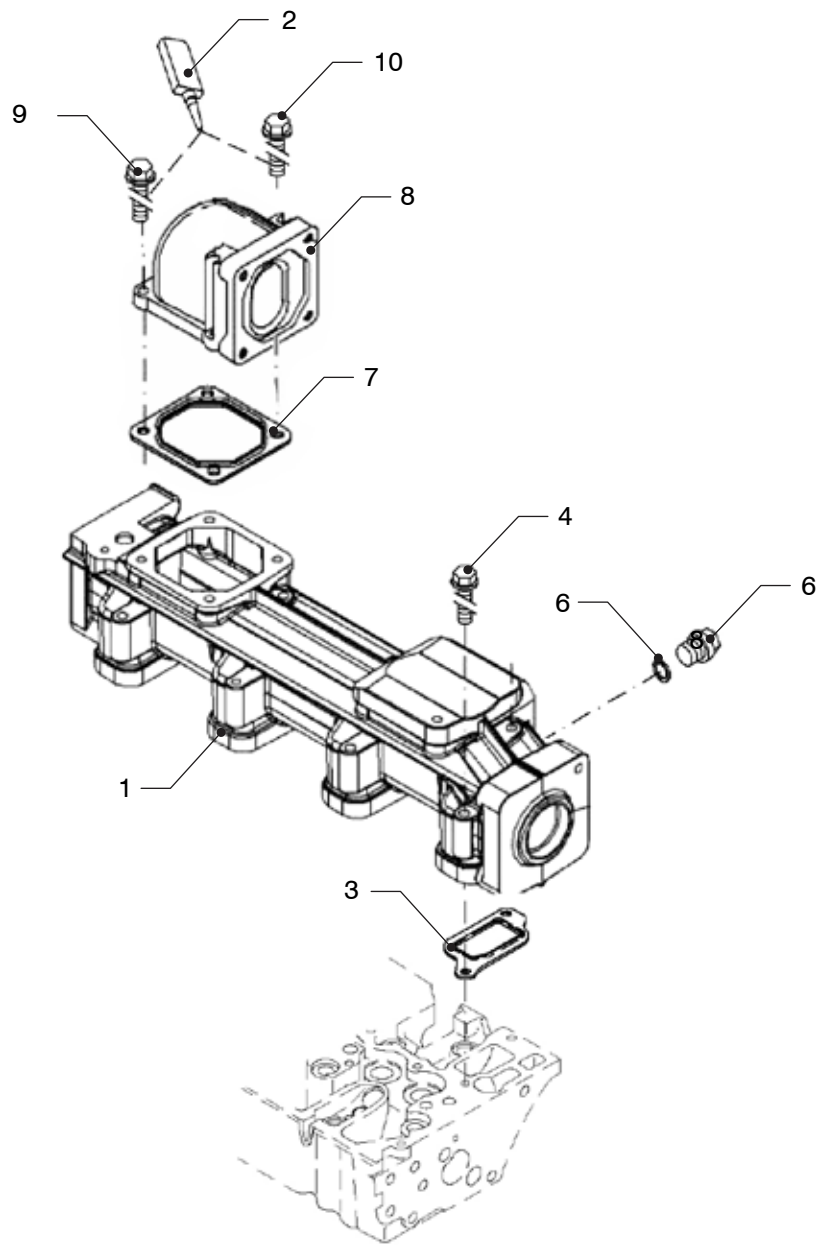
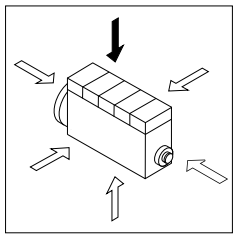
VD4.120 VD6.170		VD4.140 VD6.210		Nokkenas	Camshaft		
pos.	qty	part	benaming		description		
1	1	DZ10001	Nokkenas	VD4	Camshaft	VD4	
	1	DZ10002	Nokkenas	VD6	Camshaft	VD6	



VD4.120 **VD4.140** **Klepaandrijving**
VD6.170 **VD6.210**

Valve drive

pos.	qty	part	benaming		description	
1	8	DZ11007	Stelschroef	VD4	Adjusting screw	VD4
	12	DZ11007	Stelschroef	VD6	Adjusting screw	VD6
2	8	DZ11008	Zeskantmoer	VD4	Hexagon nut	VD4
	12	DZ11008	Zeskantmoer	VD6	Hexagon nut	VD6
3	8	DZ11009	Borgring	VD4	Retaining washer	VD4
	12	DZ11009	Borgring	VD6	Retaining washer	VD6
4	1	DZ11011	Tuimelaar steun		Rocker arm bracket	
5	3	DZ11012	Tuimelaar steun	VD4	Rocker arm bracket	VD4
	5	DZ11012	Tuimelaar steun	VD6	Rocker arm bracket	VD6
6	1	DZ11013	Tuimelaar steun		Rocker arm bracket	
7	8	DZ11016	Tuimelaar	VD4	Rocker arm	VD4
	12	DZ11016	Tuimelaar	VD6	Rocker arm	VD6
8	1	DZ11017	Klepstoter	VD4	Tappet	VD4
9	1	DZ11018	Stoterstang	VD4	Pushrod	VD4
10	10	DZ11003	Torxbout	VD4	Torx-head bolt	VD4
	14	DZ11003	Torxbout	VD6	Torx-head bolt	VD6



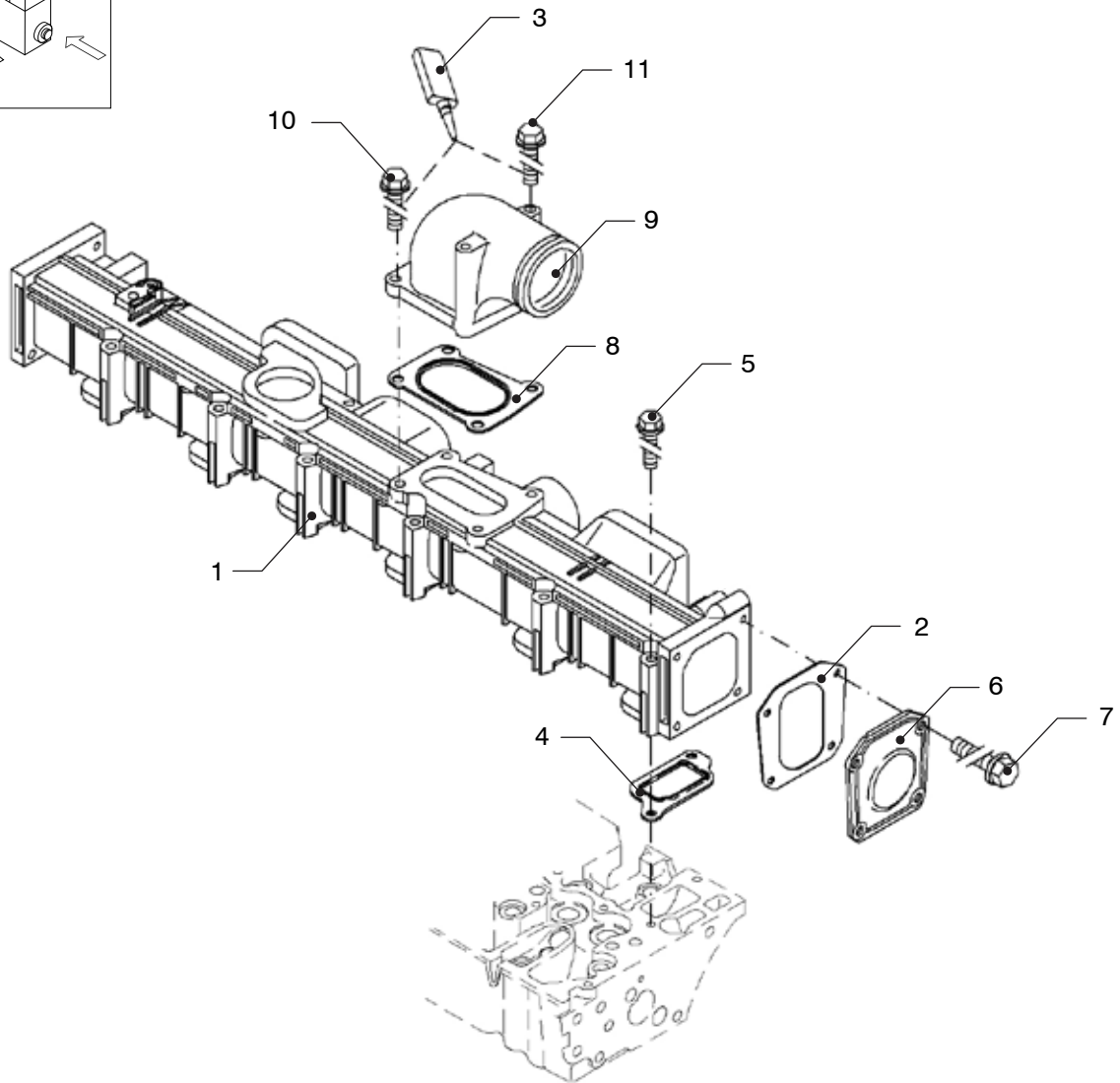
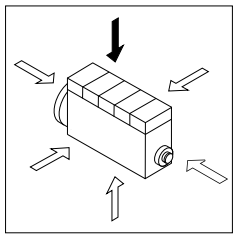
VD4.120

VD4.140

Laadluchtspruitstuk

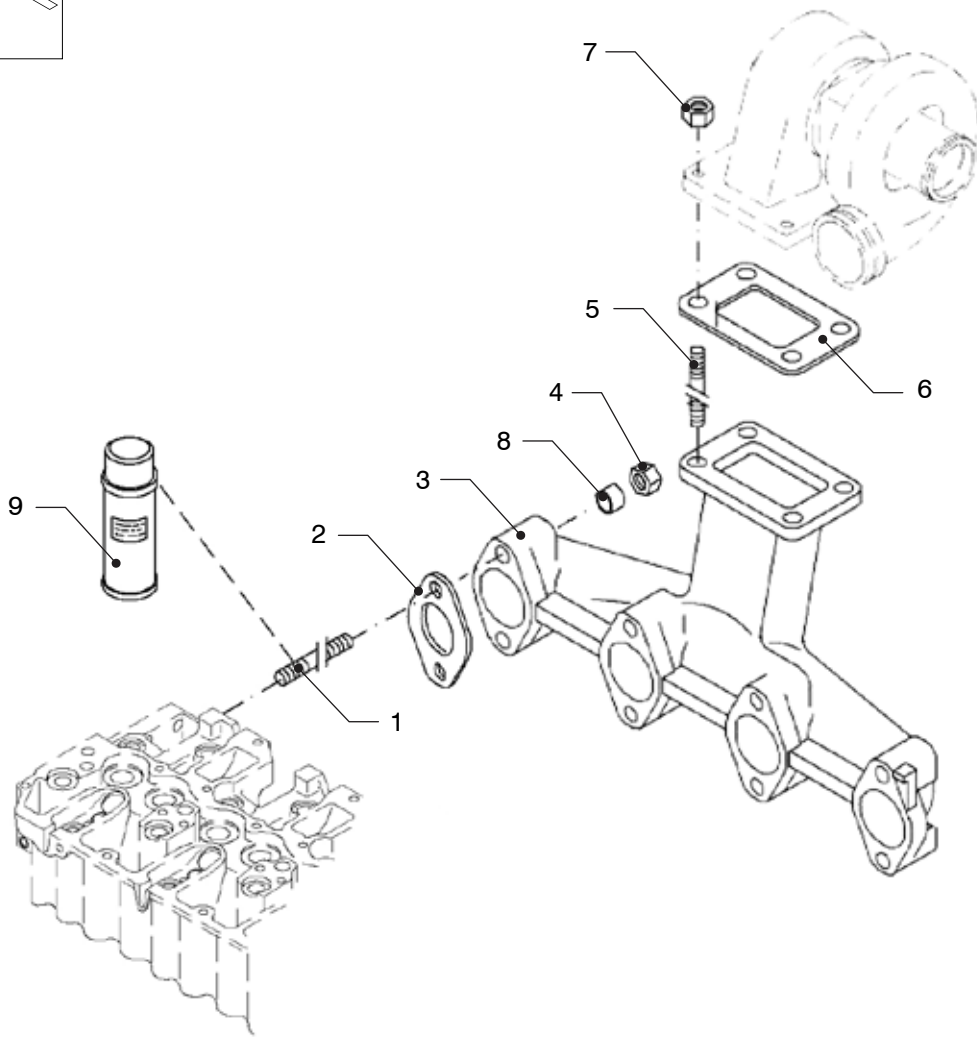
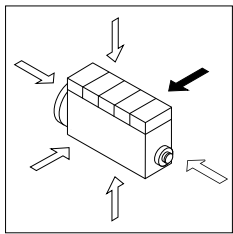
Charge air manifold

pos.	qty	part	benaming	description
1	1	DZ22001	Laadluchtspruitstuk	Charge air manifold
2	1	DZ22030	Borgmiddel	Safety/lock.agent
3	4	DZ22004	Pakking	Gasket
4	4	DZ22005	Zeskantbout	Hexagon bolt
5	1	DZ22008	Afdichtring	Sealing ring
6	1	DZ22009	Plug	Screw plug
7	1	DZ22026	Pakking	Gasket
8	1	DZ22027	Spruitstuk	Manifold
9	2	DZ22028	Zeskantbout	Hexagon bolt
10	2	DZ22029	Zeskantbout	Hexagon bolt



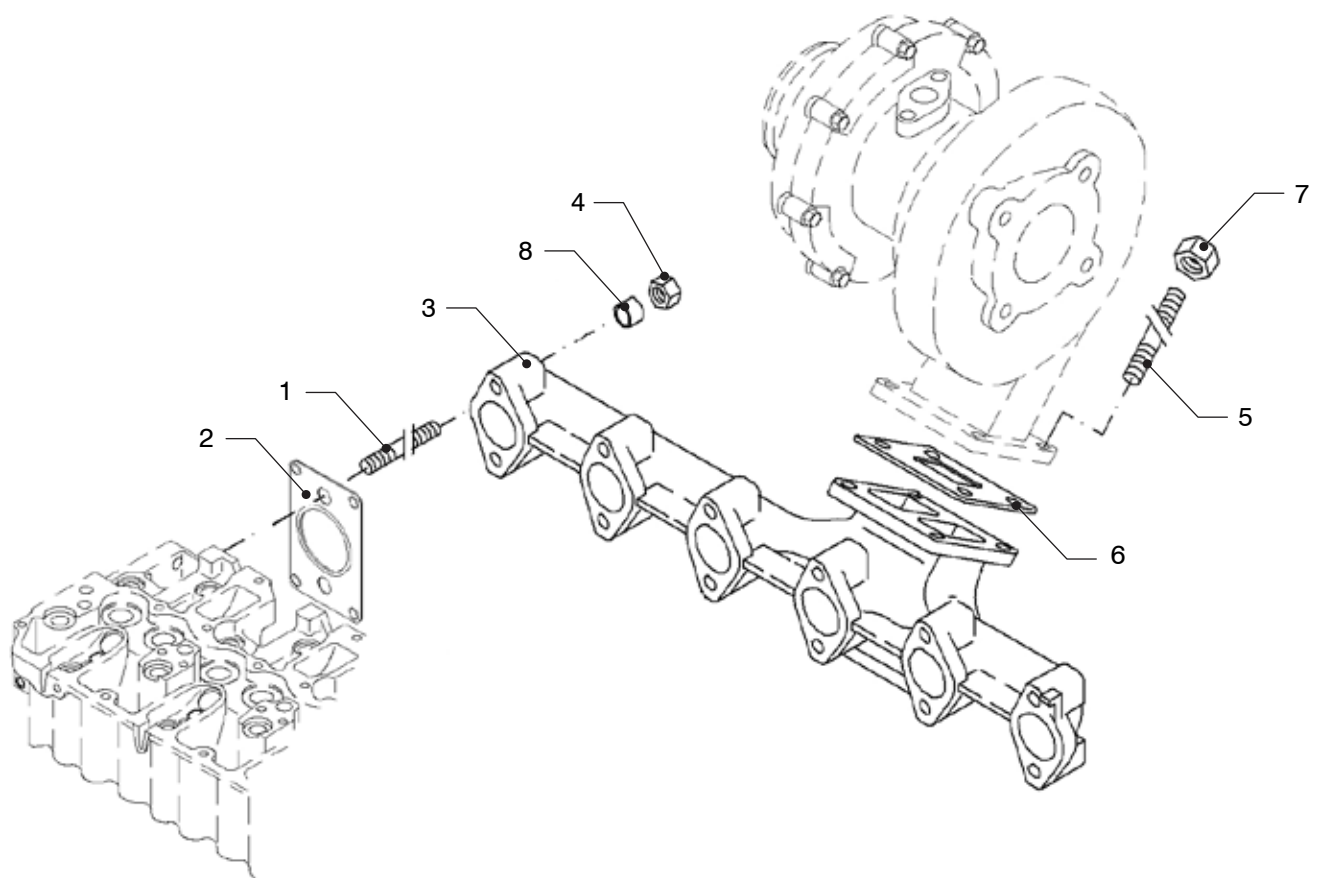
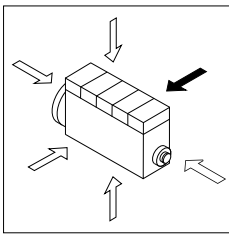
VD6.170 VD6.210 Laadluchtspruitstuk Charge air manifold

pos.	qty	part	benaming	description
1	1	DZ22003	Laadluchtspruitstuk	Charge air manifold
2	1	DZ22002	Pakking	Gasket
3	1	DZ22030	Borgmiddel	Safety/lock agent
4	6	DZ22004	Pakking	Gasket
5	12	DZ22005	Zeskantbout	Hexagon bolt
6	1	DZ22012	Deksel	Cover
7	4	DZ22013	Zeskantbout	Hexagon bolt
8	1	DZ22026	Pakking	Gasket
9	1	DZ22025	Spruitstuk	Manifold
10	2	DZ22028	Zeskantbout	Hexagon bolt
11	2	DZ22029	Zeskantbout	Hexagon bolt



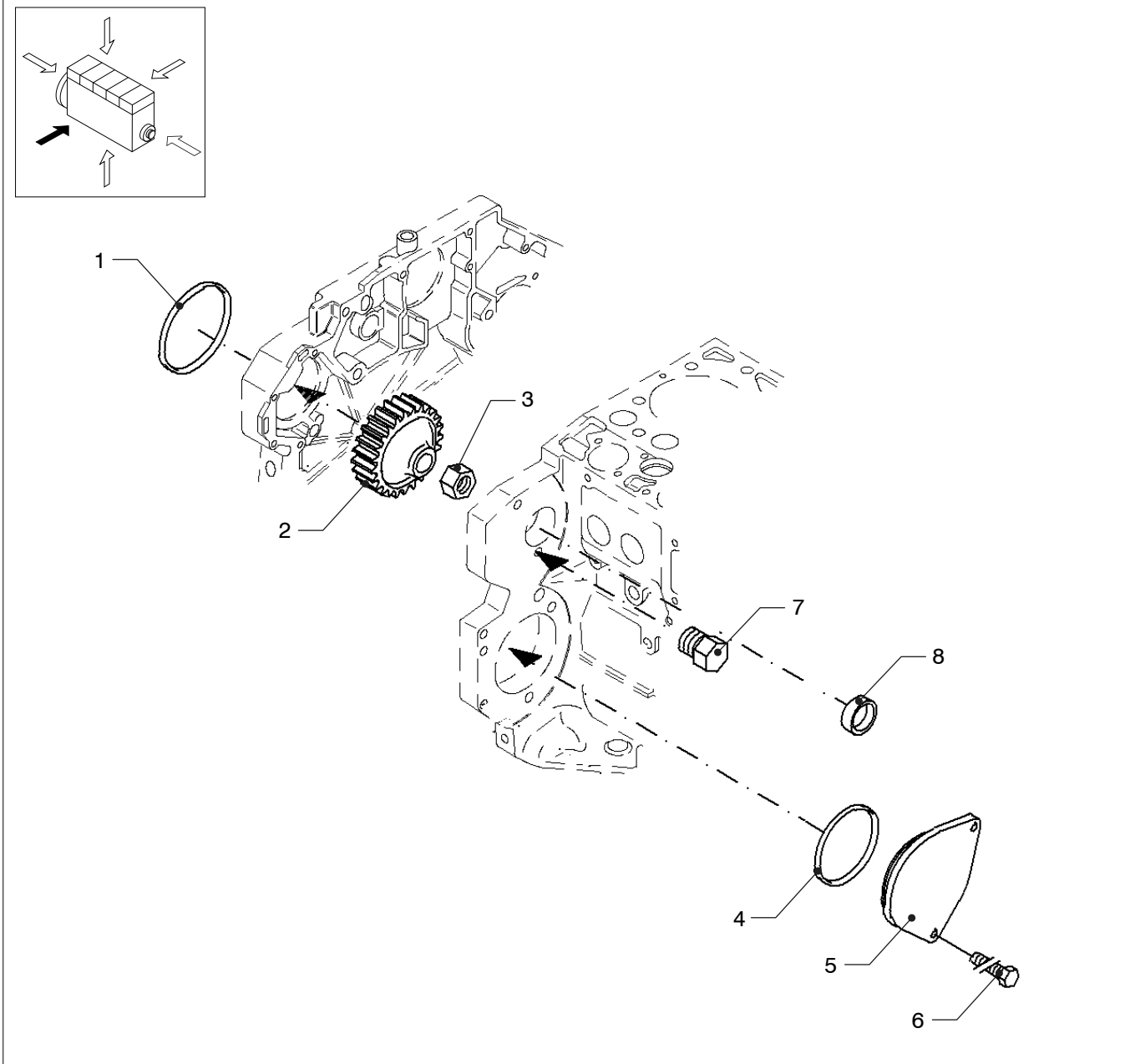
VD4.120 VD4.140 Uitlaatspruitstuk Exhaust manifold

pos.	qty	part	benaming	description
1	8	DZ41001	Tapeind	Stud
2	4	DZ41002	Pakking	Gasket
3	1	DZ41003	Uitlaatspruitstuk	Exhaust manifold
4	8	DZ41005	Zeskantmoer	Hexagon nut
5	4	DZ41006	Tapeind	Stud
6	1	DZ41007	Pakking	Gasket
7	4	DZ41008	Zeskantmoer	Hexagon nut
8	8	DZ41012	Vulbus	Spacer sleeve
9	1	DZ41009	Montagepasta	Fitting compound



VD6.170 VD6.210 Uitlaatspruitstuk Exhaust manifold

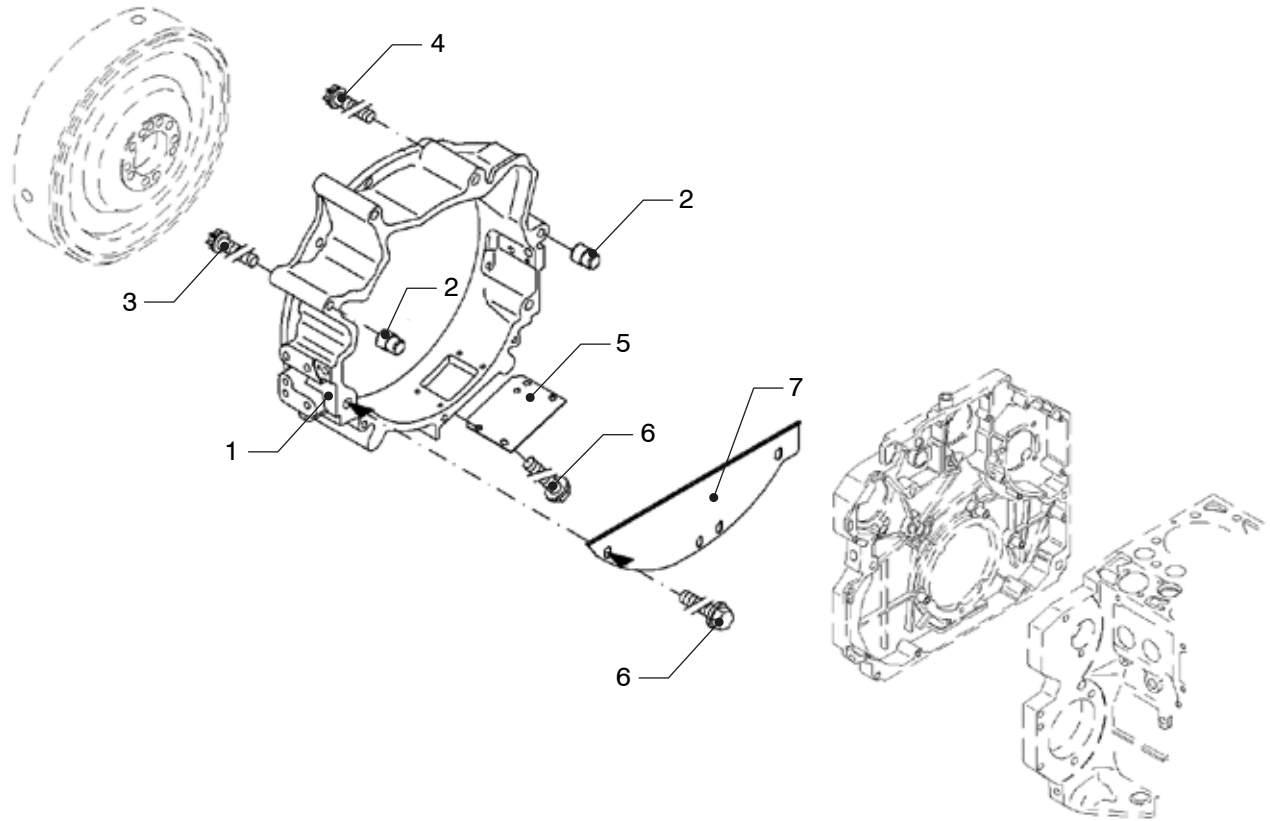
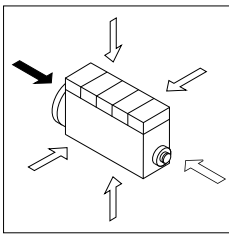
pos.	qty	part	benaming	description
1	12	DZ41001	Tapeind	Stud
2	6	DZ41002	Pakking	Gasket
3	1	DZ41004	Uitlaatspruitstuk	Exhaust manifold
4	12	DZ41005	Zeskantmoer	Hexagon nut
5	4	DZ41006	Tapeind	Stud
6	1	DZ41013	Pakking	Gasket
7	4	DZ41008	Zeskantmoer	Hexagon nut
8	12	DZ41012	Vulbus	Spacer sleeve



VD4.120 **VD4.140** **Hydr. pomp**
VD6.170 **VD6.210**

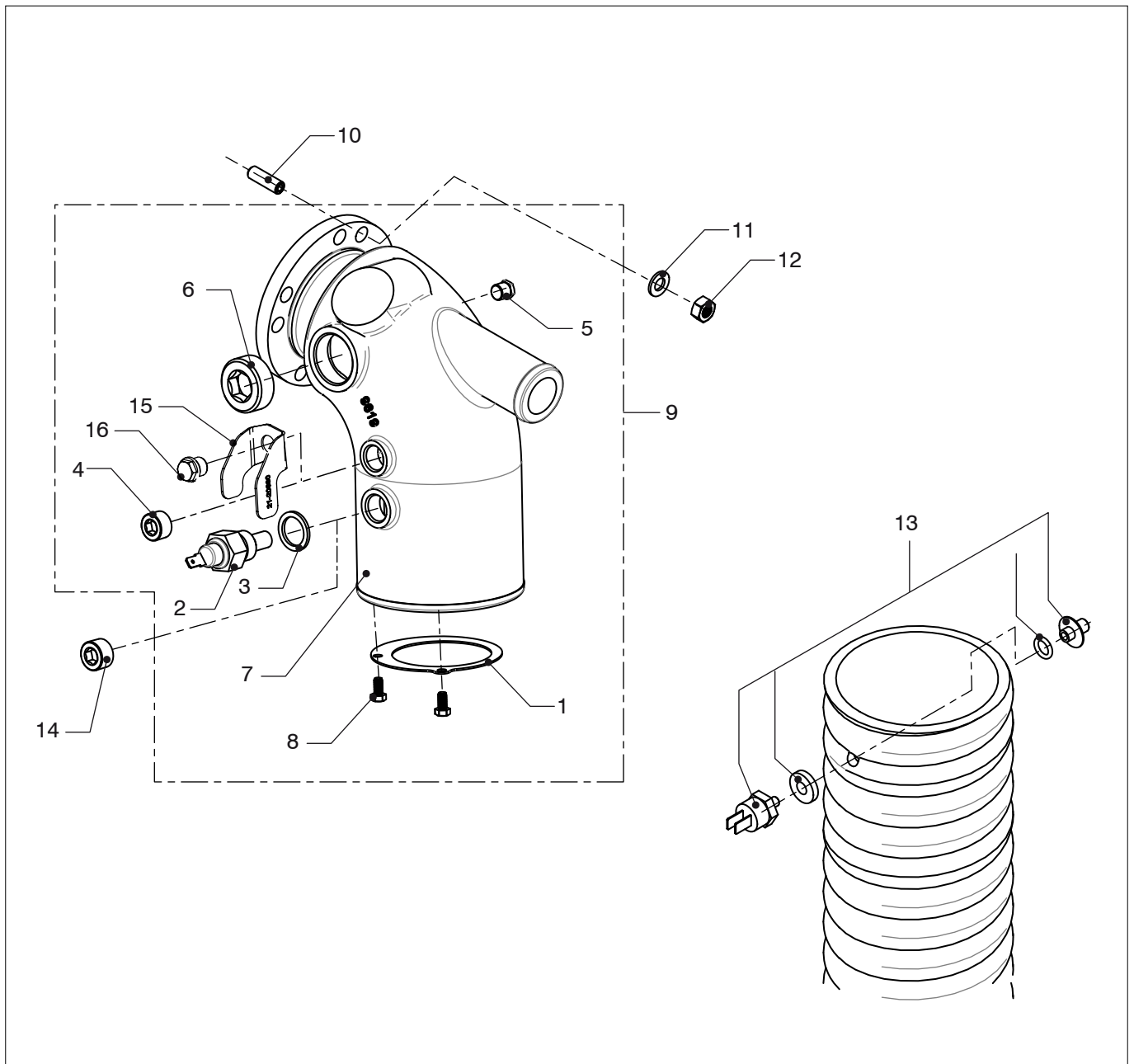
Hydraulic pump

pos.	qty	part	benaming	description
1	1	DZ83030	O-Ring	O-seal
2	1	DZ83002	Tandwiel	Gear wheel
3	1	DZ83001	Borgmoer	Locking nut
4	1	DZ83026	O-Ring	O-seal
5	1	DZ83027	Deksel	Cover
6	2	DZ83028	Zeskantbout	Hexagon bolt
7	2	DZ83023	Stelschroef	Set screw
8	1	DZ83046	Deksel	Cover



VD4.120	VD4.140	Vliegwielhuis	Flywheel housing
VD6.170	VD6.210		

pos.	qty	part	benaming	description
1	1	DZ52001	Vliegwielhuis	Flywheel housing
2	2	DZ52002	Bus	Bush
3	2	DZ52003	Torxbout	Torx-head bolt
4	4	DZ52004	Torxbout	Torx-head bolt
5	1	DZ52007	Afdekplaat	Cover plate
6	7	DZ52008	Zeskantbout	Hexagon bolt
7	1	DZ52009	Afdekplaat	Cover plate



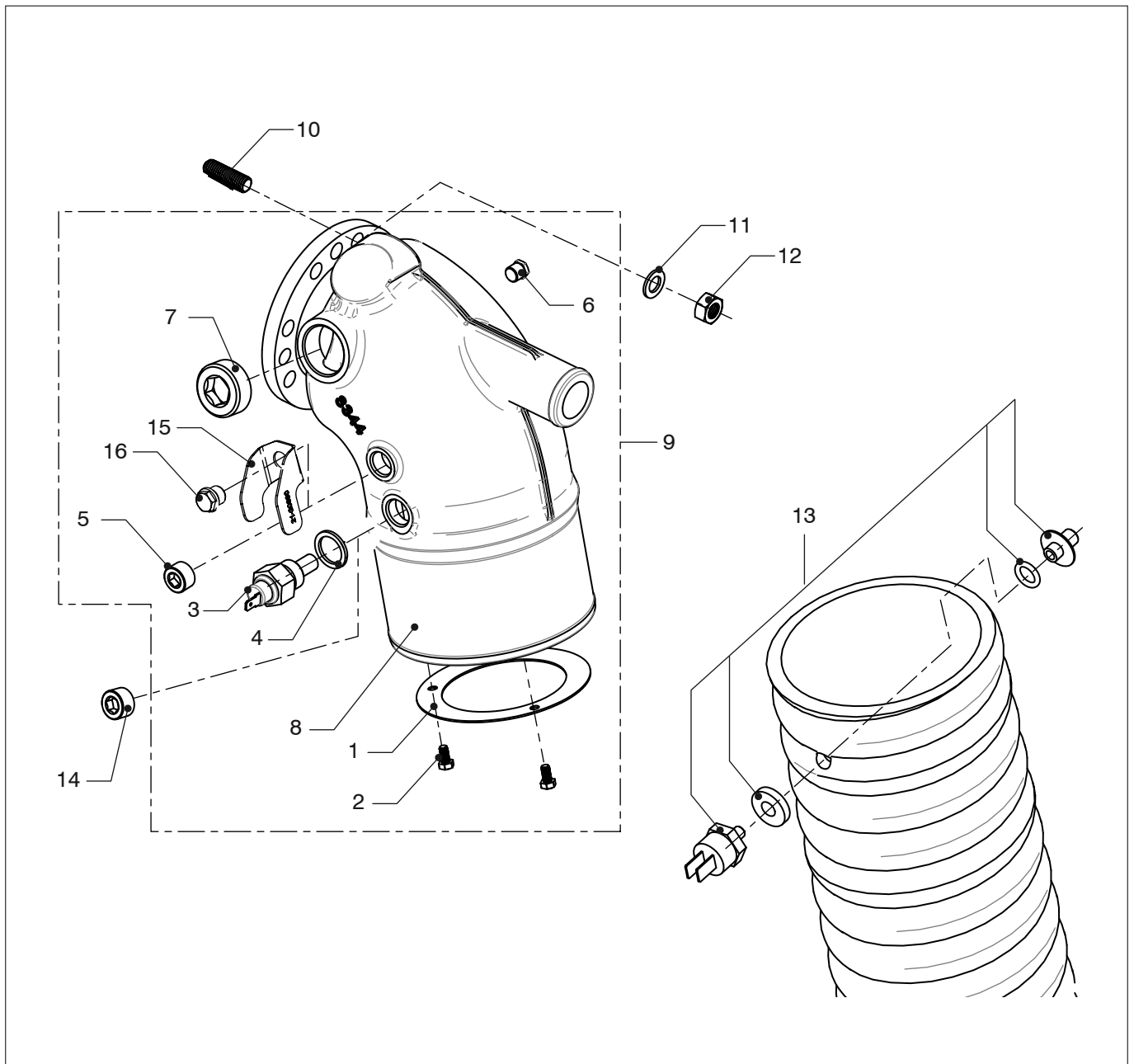
VD4.120

VD4.140

Uitlaat injectiebocht

Exhaust elbow

pos.	qty	part	benaming	description
1	1	16-4981	Verdeler	Diffuser
2	1	STM2006	Temperatuur schakelaar 75°C enkelpolig	Thermo switch 75°C single pole
3	1	STM2019	Afdichtring M18	Seal washer M18
4	1	STM3071	Plug G 3/8	Plug G 3/8
5	1	STM4081	Plug G 1/8	Plug G 1/8
6	1	STM8169	Plug G 1	Plug G 1
7	1	STM9619	Uitlaat injectiebocht Ø 100mm (gietwerk)	Inj. elbow Ø 100mm (casting)
8	2	B05105RT4	Zeskantbout M5x10	Hexagon head screw M5x10
9	1	16-7476	Uitlaat injectiebocht Ø 100 compleet	Exhaust elbow Ø 100 cpl.
10	4	STM9744	Tapeind M8x25	Stud M8x25
11	4	R081Y	Ring M8	Washer M8
12	4	M08Y	Moer M8	Nut M8
13	1	STM9196	Temperatuur schakelaar 71°C dubbelpolig	Thermo switch 71°C double-pole
14	1	STM8179	Plug M18 x 1,5	Plug M18 x 1,5
15	1	21-20830	Afscherming	Shield
16	1	STM7285	Plug G 3/8	Plug G 3/8



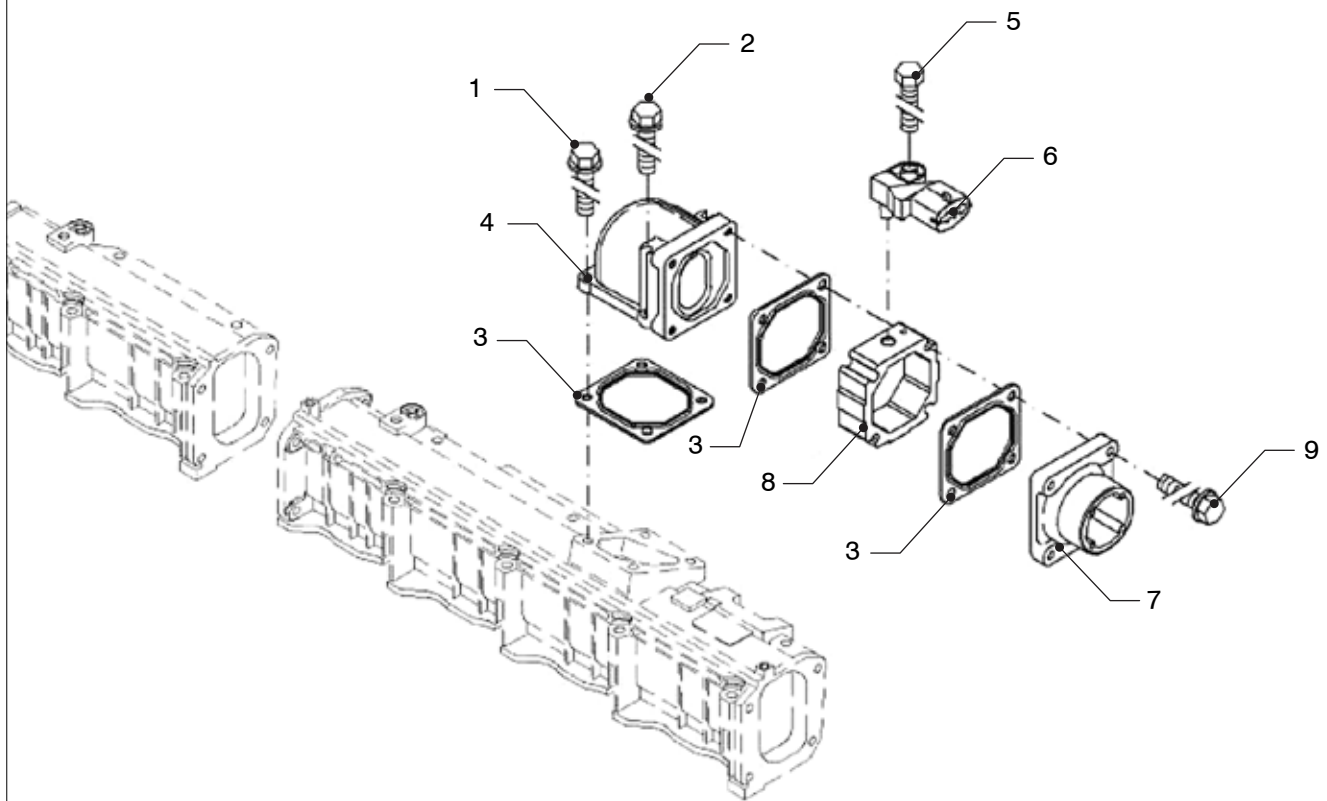
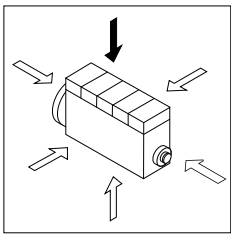
VD6.170

VD6.210

Uitlaat injectiebocht

Exhaust elbow

pos.	qty	part	benaming	description
1	1	16-4720	Verdeler	Diffuser
2	2	B05105YT	Zeskantbout M5x10	Hexagon head screw M5x10
3	1	STM2006	Temperatuur schakelaar 75°C enkelpolig	Thermo switch 75°C single pole
4	1	STM2019	Afdichtring M18	Seal washer M18
5	1	STM3071	Plug G3/8	Plug G3/8
6	1	STM4081	Plug G1/8	Plug G 1/8
7	1	STM8169	Plug G1	Plug G 1
8	1	STM8344	Uitlaat injectiebocht Ø125 (gietwerk)	Exhaust injection elbow Ø125 (casting)
9	1	16-6382	Uitlaat injectiebocht Ø125 compleet	Exhaust elbow Ø125 cpl.
10	4	STM9680	Tapeind M10x20	Stud M10x20
11	4	STM8390	Ring M10	Washer M10
12	4	STM8764	Moer M10	Nut M10
13	1	STM9196	Temperatuur schakelaar 71°C dubbelpolig	Thermo switch 71°C double-pole
14	1	STM8179	Plug M18 x 1,5	Plug M18 x 1,5
15	1	21-20830	Afscherming	Shield
16	1	STM7285	Plug G 3/8	Plug G 3/8



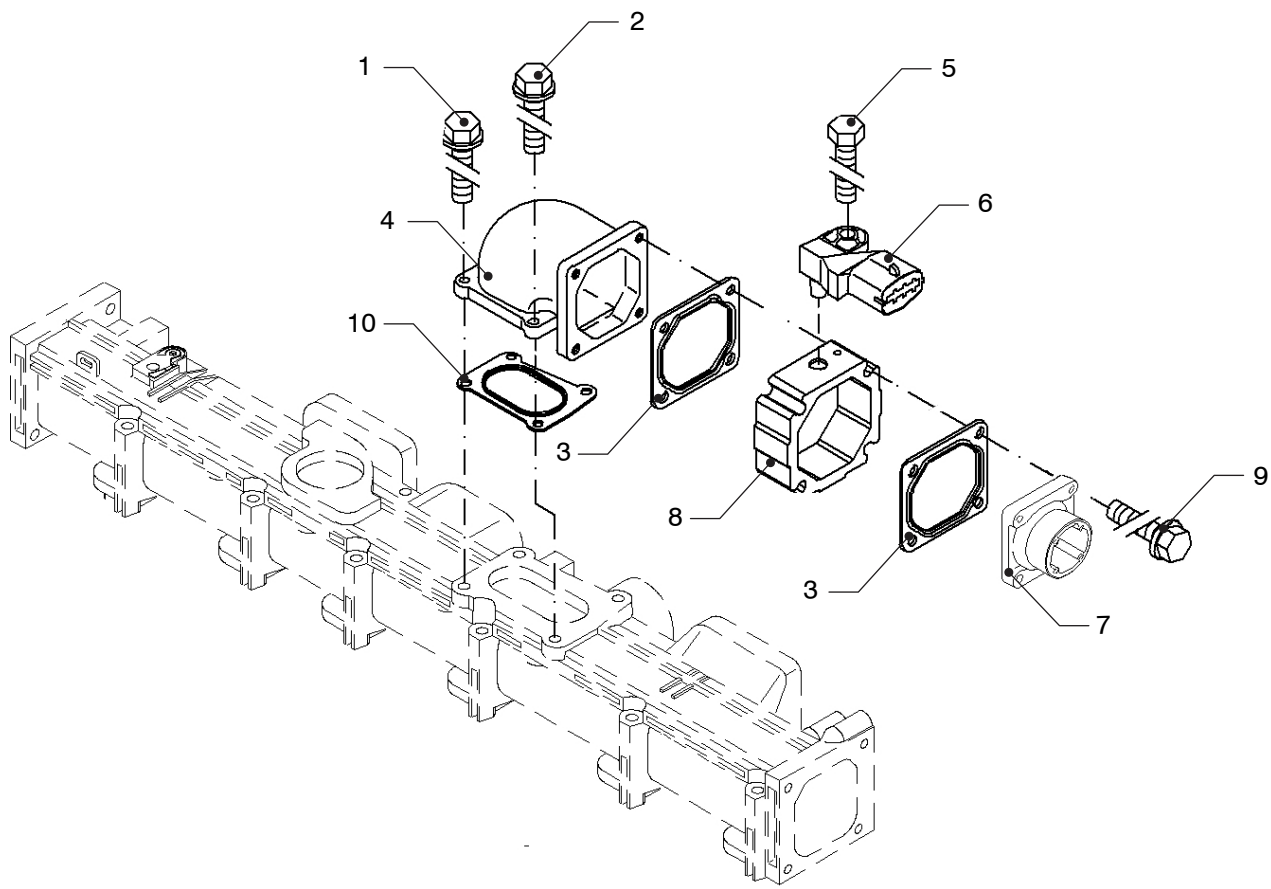
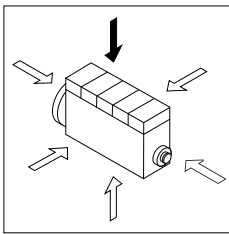
VD4.120

VD4.140

Luchtinlaatbocht

Air intake elbow

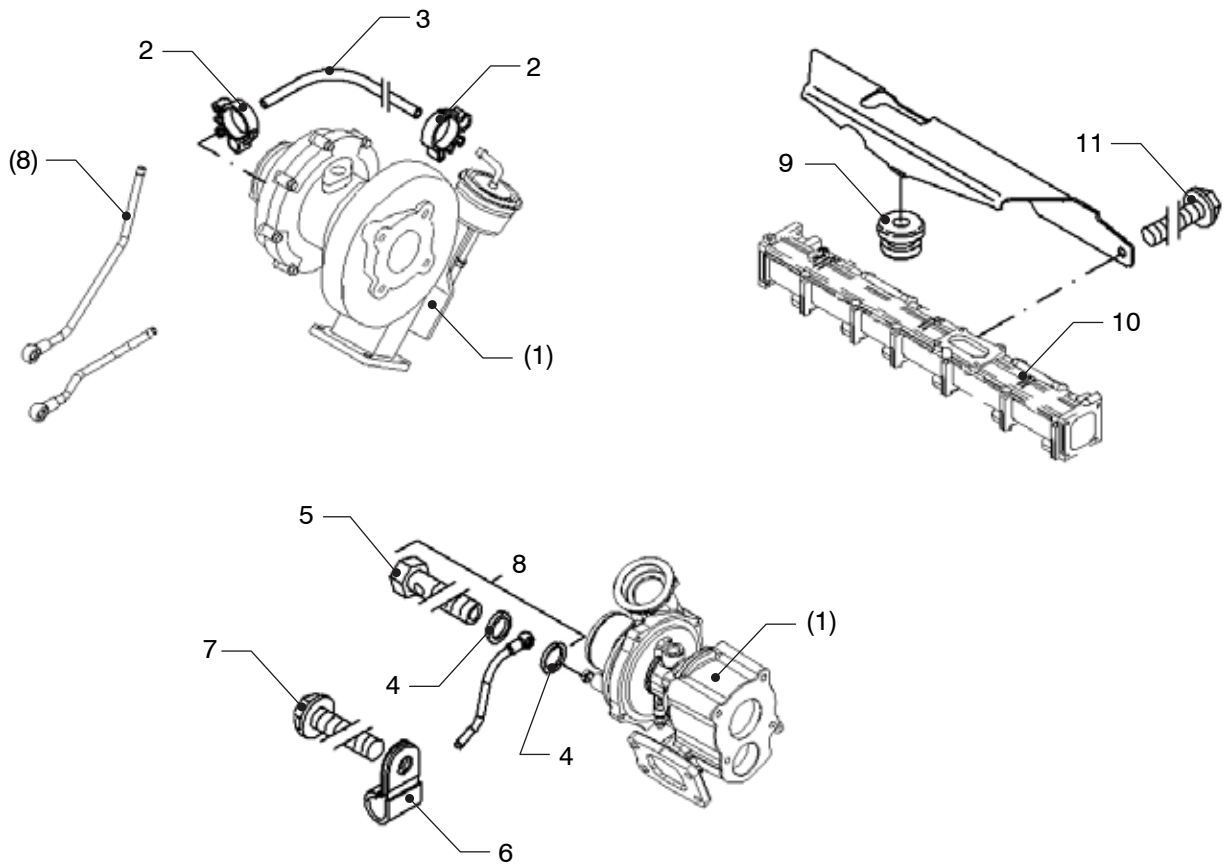
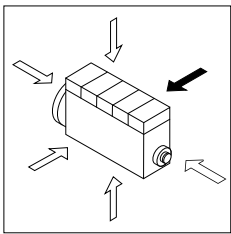
pos.	qty	part	benaming	description
1	2	DZ63003	Zeskantbout	Hexagon bolt
2	2	DZ63007	Zeskantbout	Hexagon bolt
3	3	DZ63002	Pakking	Gasket
4	1	DZ63005	Laadluchtbocht	Charge air elbow
5	1	DZ63032	Zeskantbout	Hexagon bolt
6	1	DZ63031	Drukzender	Pressure sensor
7	1	DZ63009	Slangnippel	Hose nipple
8	1	DZ63030	Adapter	Adapter
9	4	DZ63006	Zeskantbout	Hexagon bolt



VD6.170 VD6.210 Luchtinlaatbocht

Air intake elbow

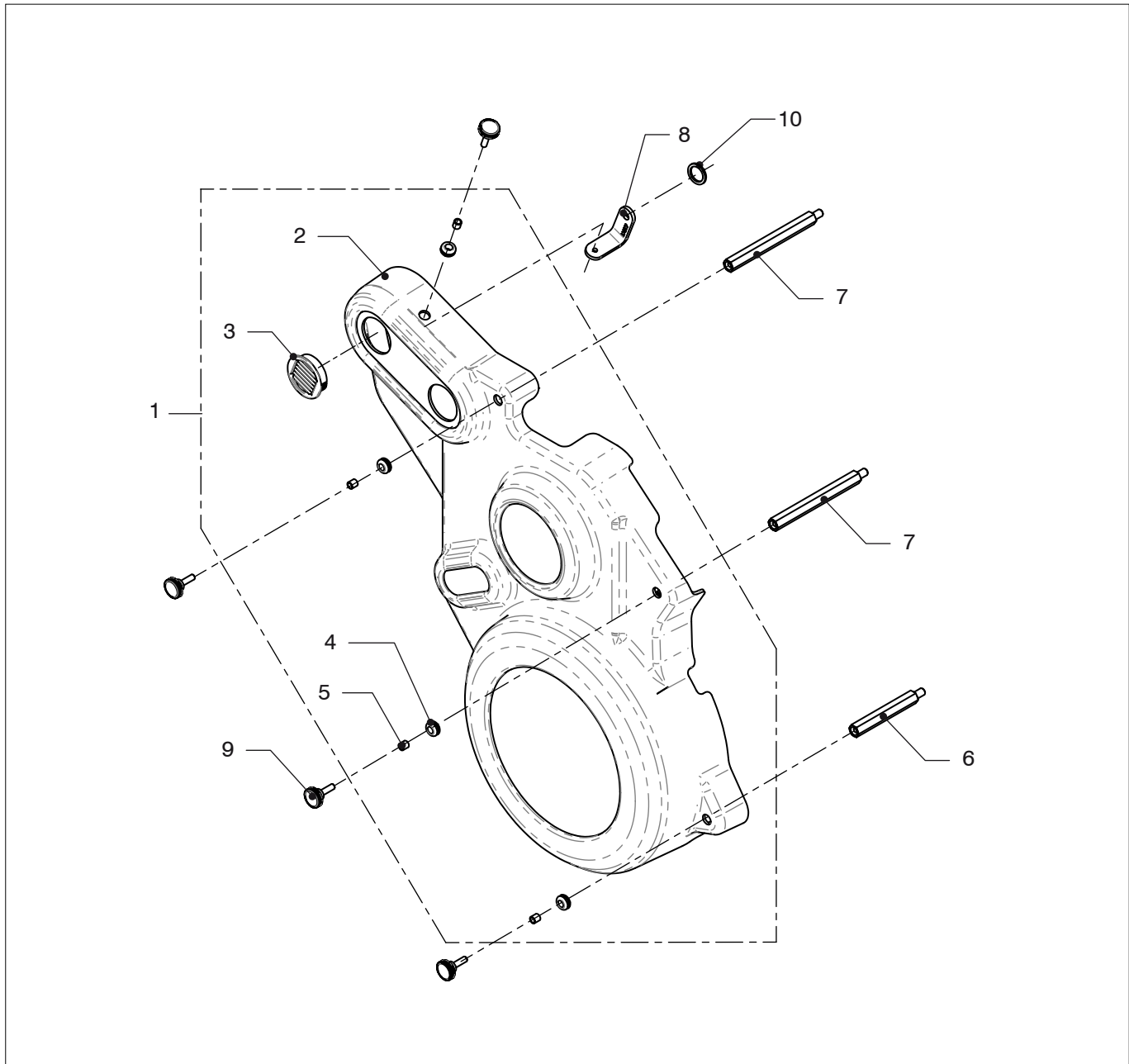
pos.	qty	part	benaming	description
1	2	DZ63003	Zeskantbout	Hexagon bolt
2	2	DZ63007	Zeskantbout	Hexagon bolt
3	2	DZ63002	Pakking	Gasket
4	1	DZ63008	Laadluchtbocht	Charge air elbow
5	1	DZ63032	Zeskantbout	Hexagon bolt
6	1	DZ63031	Drukzender	Pressure sensor
7	1	DZ63009	Slangnippel	Hose nipple
8	1	DZ63030	Adapter	Adapter
9	4	DZ63006	Zeskantbout	Hexagon bolt
10	1	DZ22026	Pakking VD6	Gasket VD6



VD4.120 **VD4.140** **Turbo compressor**
VD6.170 **VD6.210**

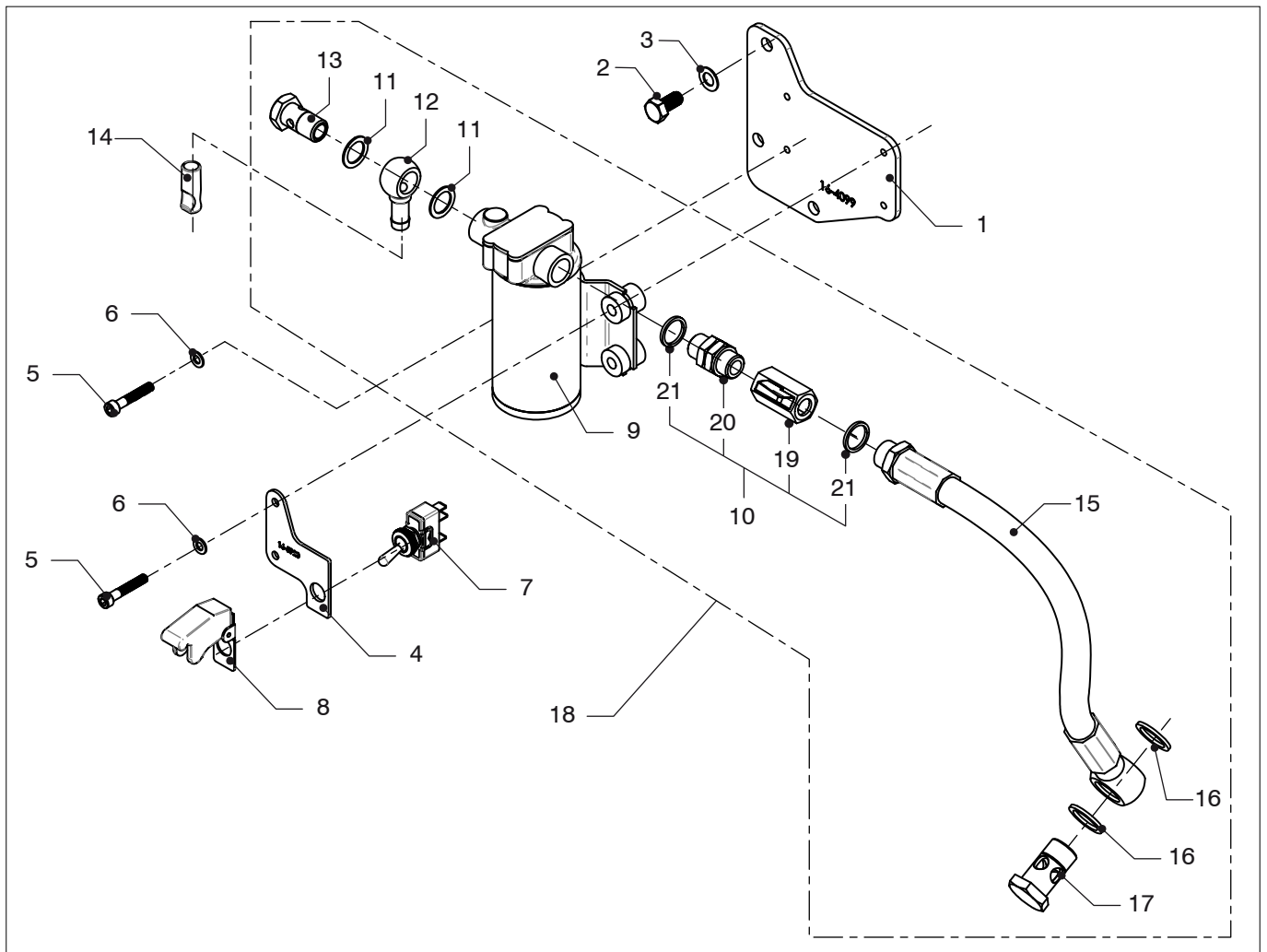
Turbocharger

pos.	qty	part	benaming		description	
1	1	DZ43001	Turbocharger	VD4	Turbocharger	VD4
	1	DZ43002	Turbocharger	VD6	Turbocharger	VD6
2	2	DZ43041	Slangklem		Hose clip	
3	1	DZ43042	Rubberslang		Rubber hose	
4	2	DZ43050	Afdichtring		Sealing ring	
5	1	DZ43051	Banjobout		Banjo bolt	
6	1	DZ43052	Leidingklem		Pipe clamp	
7	1	DZ43053	Zeskantbout		Hexagon bolt	
8	1	DZ43056	Stuurleiding		Pilot line	
9	1	DZ43047	Rubber plug		Rubber stop	
10	1	DZ43046	Hitteschild		Cooling air baffle	
11	3	DZ43048	Zeskantbout		Hexagon bolt	



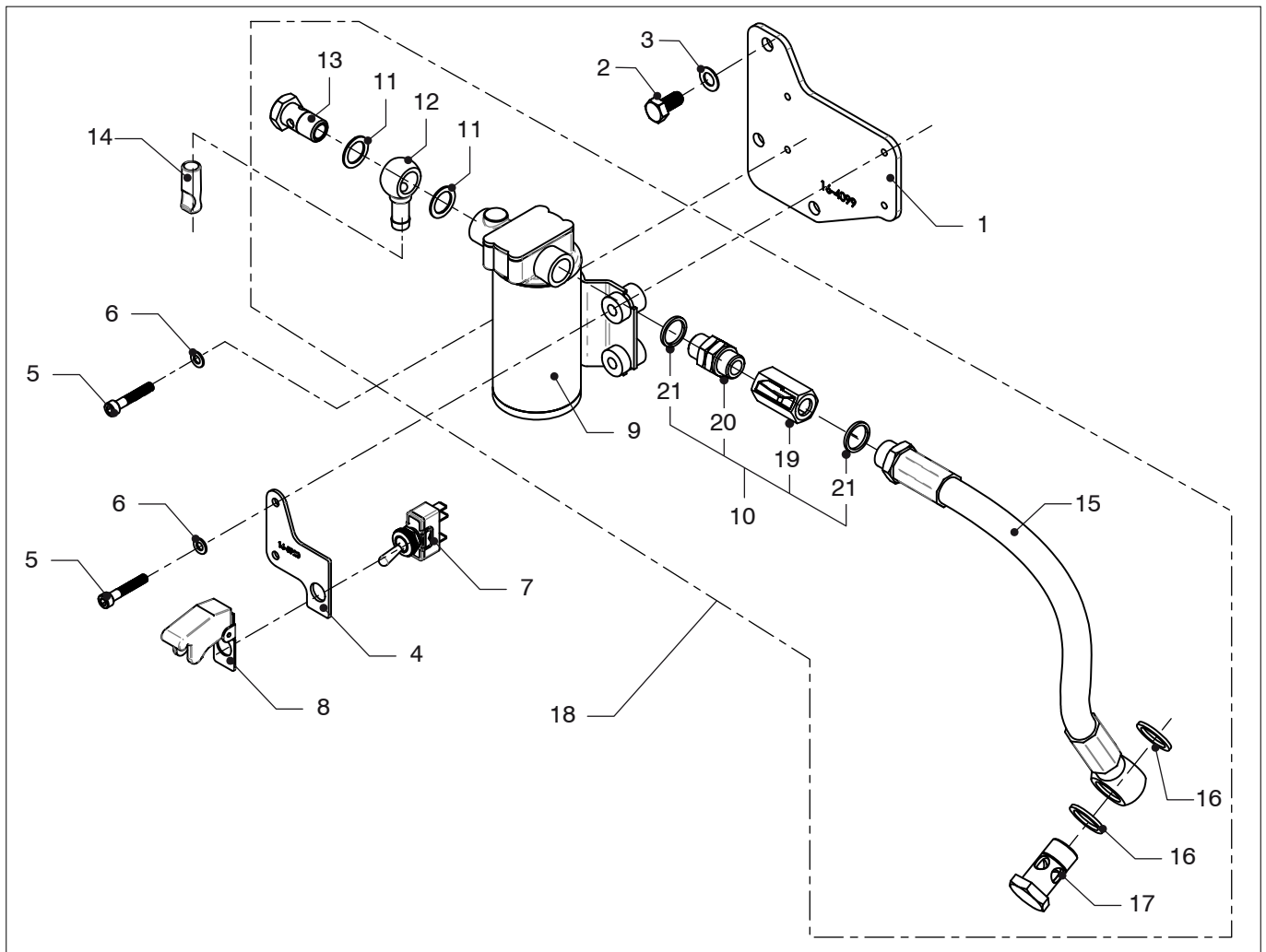
VD4.120	VD4.140	Afschermkap	Protection cover
VD6.170	VD6.210		

pos.	qty	part	benaming	description
1	1	16-4507	Afschermkap compleet	Protection cover cpl.
2	1	16-4268	Afschermkap	Protection cover
3	2	16-6211	Rooster	Grid
4	5	08-01495	Rubber doorvoer	Rubber tule
5	5	08-01496	Bus l=8	Bush l=8
6	2	16-5826	Stud M8 l=90	Stud M8 l=90
7	2	16-5855	Stud M8 l=126	Stud M8 l=126
8	1	16-5929	Steun	Support
9	5	08-01277	Kartelknop M6	Knurled screw M6
10	1	CT30059	Ring d=4	Washer d=4



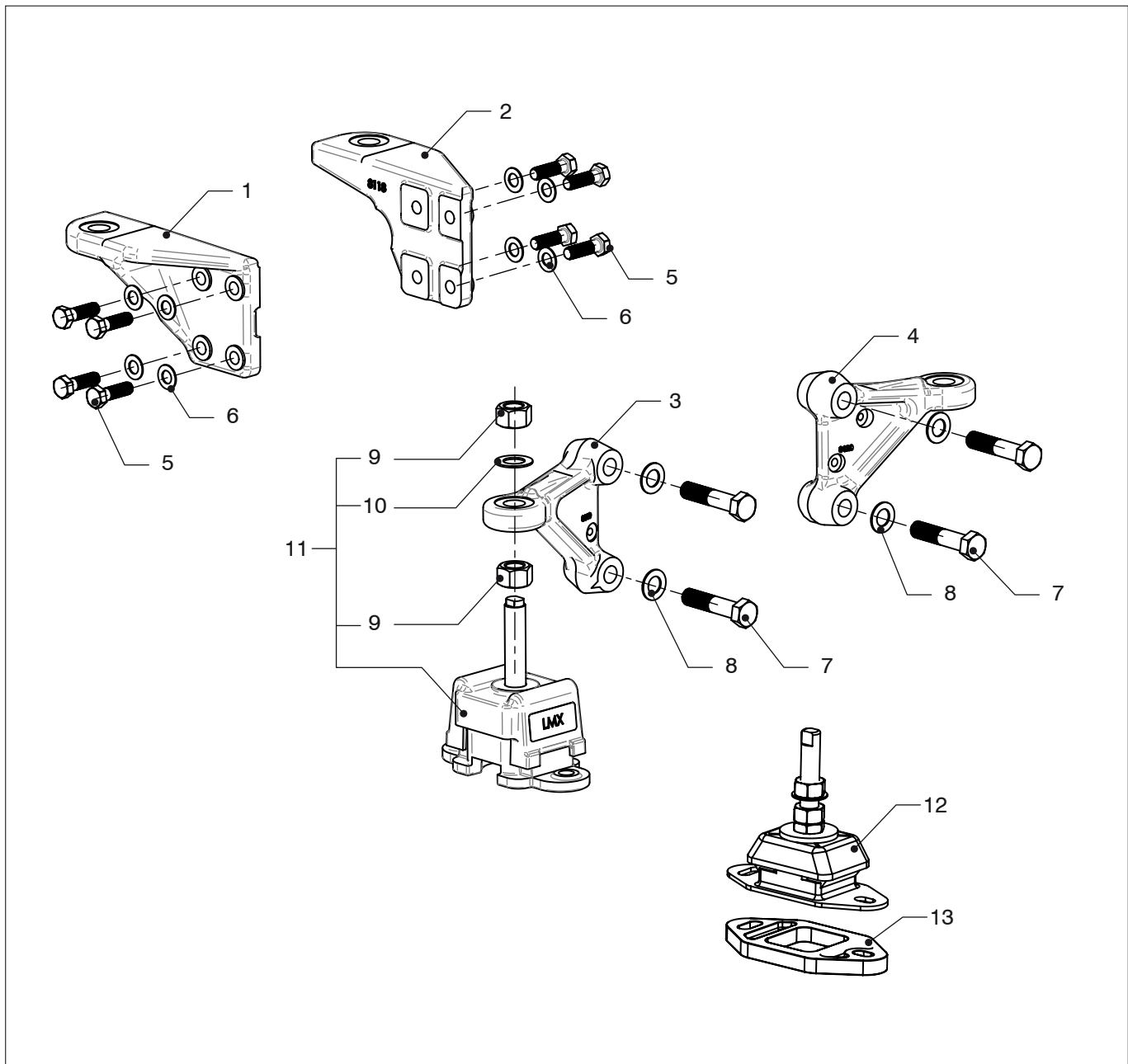
VD4.120	VD4.140	Electrische olie aftappomp	Elec. oil pump
----------------	----------------	-----------------------------------	-----------------------

pos.	qty	part	benaming	description
1	1	16-4099	Steun	Support
2	3	B08165YT	Zeskantbout M8x16	Hex head bolt M8x16
3	3	R085Y	Gegolfde veerring M8	Wave spring washer M8
4	1	16-5920	Steun	Bracket
5	4	B05307Y	Inbusbout M6x30	Allen screw M6x30
6	4	R051Y	Ring M6	Washer M6
7	1	16-5911	Schakelaar	Switch
8	1	16-5888	Veiligheidsklep	Safety stop
9	1	16-4116	Pomp 12V	Pump 12V
	1	17-9415	Pomp 24V	Pump 24V
10	1	22-23672	Kogelkraan (->12-2022)	Ball valve (->12-2022)
11	2	R142010K	Afdichtring	Seal washer
12	1	STM3695	Banjo oog Ø10mm	Banjo eye Ø10mm
13	1	STM3518	Banjo-Bout M14	Banjo-bolt M14
14	1	GFEC010PY	Dop	Cap
15	1	16-5227	Slang	Hose
16	2	STM2019	Afdichtring M18	Seal washer M18
17	1	STM8168	Banjo-bout M18	Banjo-bolt M18
18	1	16-7478	Pomp assy 12V	Pump assy 12V
	1	17-11213	Pomp assy 24V	Pump assy 24V
19	1	22-23348	Kogelkraan G3/8	Ball valve G3/8
20	1	22-23347	Nippel	Nipple
21	2	22-23671	Afdichtring	Seal washer



VD6.170 VD6.210 Electrische olie aftappomp Elec. oil pump

pos.	qty	part	benaming	description
1	1	16-4099	Steun	Support
2	3	B08165YT	Zeskantbout M8x16	Hex head bolt M8x16
3	3	R085Y	Gegolfde veerring M8	Wave spring washer M8
4	1	16-5920	Steun	Bracket
5	4	B05307Y	Inbusbout M6x30	Allen screw M6x30
6	4	R051Y	Ring M6	Washer M6
7	1	16-5911	Schakelaar	Switch
8	1	16-5888	Veiligheidsklep	Safety stop
9	1	16-4116	Pomp 12V	Pump 12V
	1	17-9415	Pomp 24V	Pump 24V
10	1	22-23672	Kogelkraan (->12-2022)	Ball valve (->12-2022)
11	2	R142010K	Afdichtring	Seal washer
12	1	STM3695	Banjo oog Ø10mm	Banjo eye Ø10mm
13	1	STM3518	Banjo-Bout M14	Banjo-bolt M14
14	1	GFEC010PY	Dop	Cap
15	1	16-5181	Slang	Hose
16	2	STM2019	Afdichtring M18	Seal washer M18
17	1	STM8168	Banjo-bout M18	Banjo-bolt M18
18	1	16-6079	Pomp assy 12V	Pump assy 12V
	1	17-9416	Pomp assy 24V	Pump assy 24V
19	1	22-23348	Kogelkraan G3/8	Ball valve G3/8
20	1	22-23347	Nippel	Nipple
21	2	22-23671	Afdichtring	Seal washer

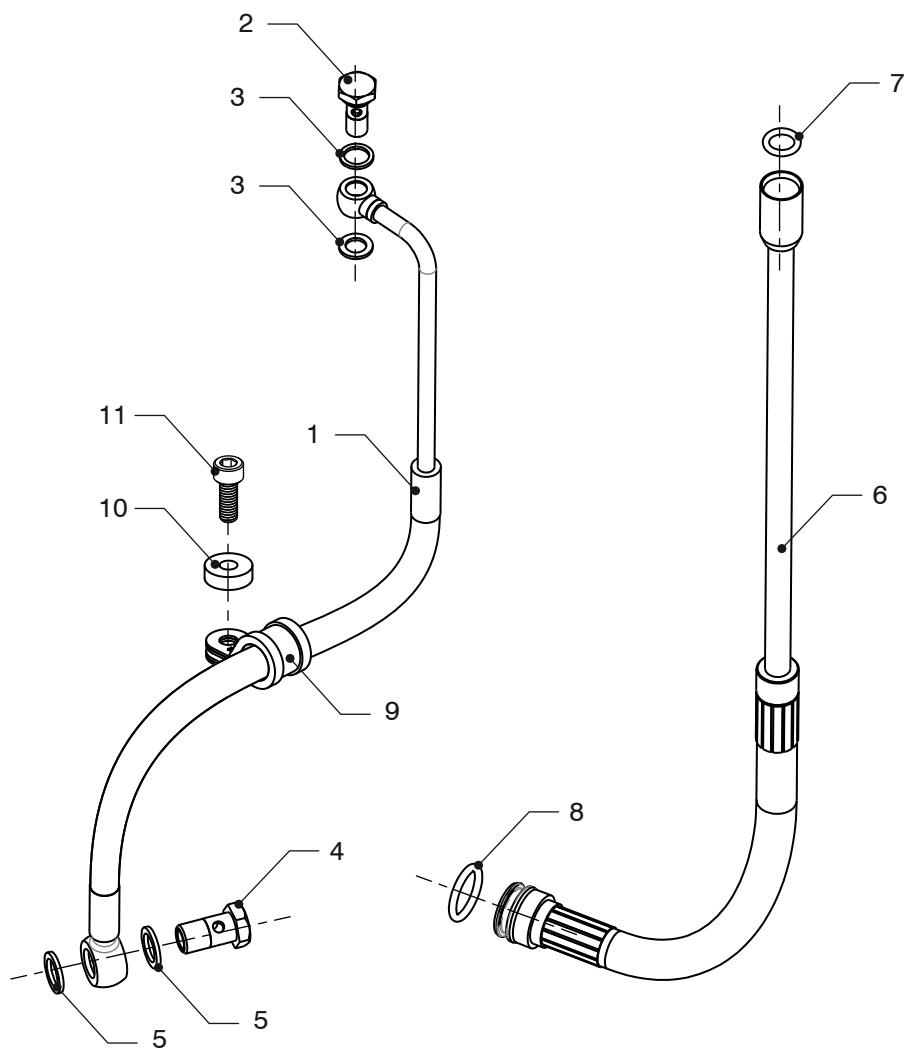


VD4.120 **VD4.140**
VD6.170 **VD6.210**

Motorsteunen

Engine supports

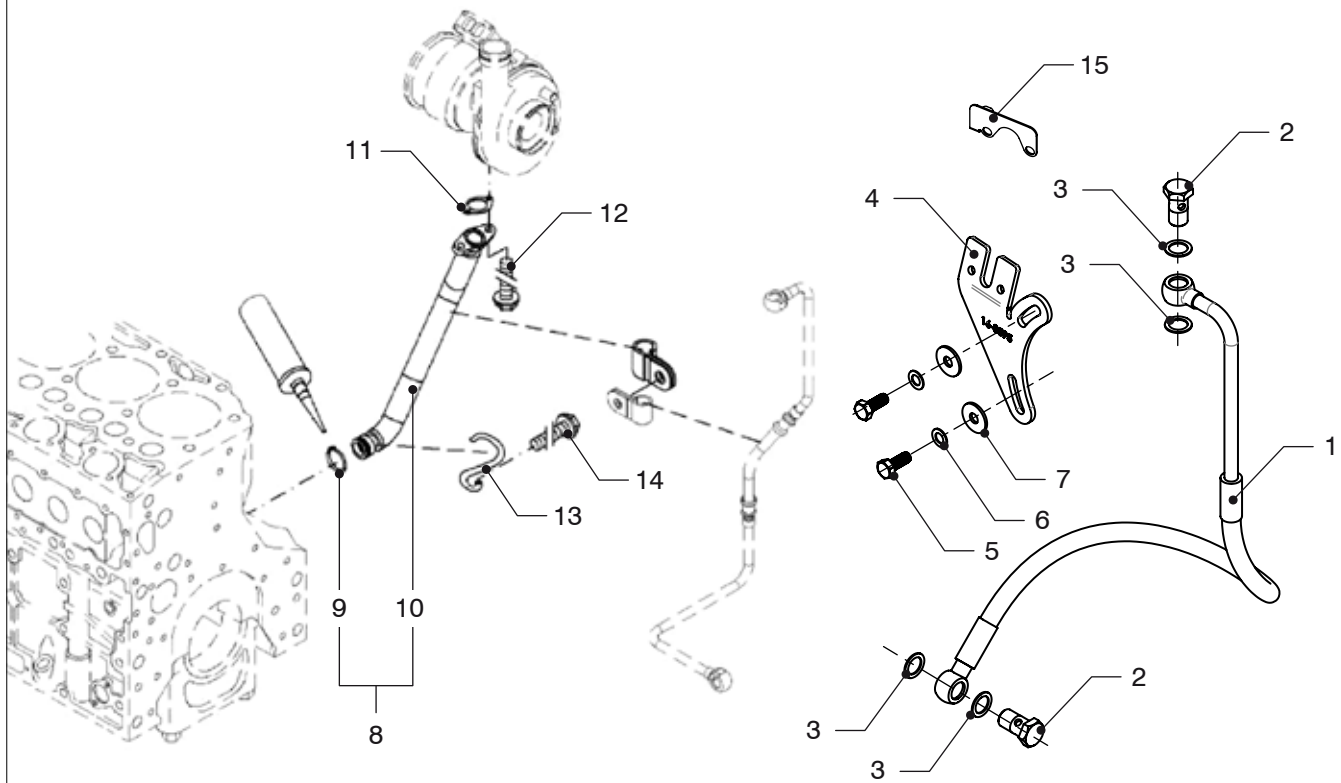
pos.	qty	part	benaming	description
1	1	STM8117	Motorsteun SB	Engine support SB
2	1	STM8118	Motorsteun BB	Engine support PS
3	1	STM8119	Motorsteun SB	Engine support SB
4	1	STM8120	Motorsteun BB	Engine support PS
5	8	B12405Y	Zeskantbout M12x40	Hex head bolt M8x40
6	8	R125Y	Gegolfde veerring M12	Wave spring washer M12
7	4	B16755Y	Zeskantbout M16x75	Hex head bolt M16x75
8	4	R165Y	Gegolfde veerring M16	Wave spring washer M16
9	4	M20Y	Moer M20	Nut M20
10	8	R205Y	Gegolfde veerring M20	Wave spring washer M20
11	4	LMX140	Trillingdemper VD4	Flexible engine mounting VD4
	4	LMX210	Trillingdemper VD6	Flexible engine mounting VD6
12	4	STM9793	Trillingdemper VD4 (stuwdruklager)	Flexible engine mounting VD4 (thrust bearing)
13	4	STM9794	Vulplaat 15mm	Spacer plate 15mm



VD4.120 VD4.140 Turbo olieleidingen

Turbo oil lines

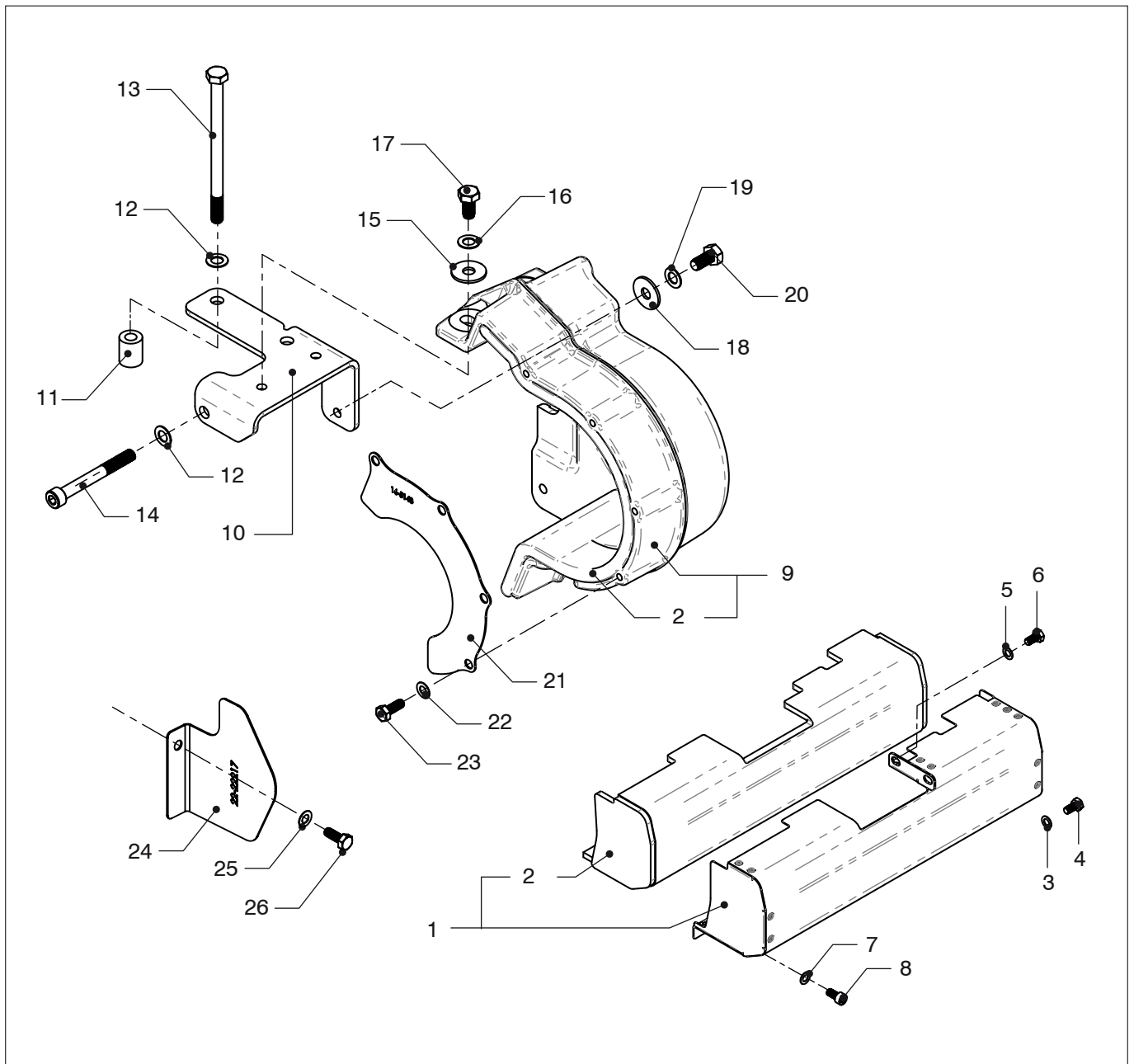
pos.	qty	part	benaming	description
1	1	17-7378	Turbo olietoevoerleiding	Turbo oil feed pipe
2	1	17-9742	Banjo bout M10x1	Banjo bolt M14x1
3	2	R121615K	Afdichtring M12	Seal washer M12
4	1	STM3518	Banjo bout M14x1,5	Banjo bolt M14x1.5
5	2	R142020K	Afdichtring M14	Seal washer M14
6	1	16-7161	Turbo olieterugloopleiding	Turbo oil return line
7	1	17-10209	O-ring Ø 12 x Ø 3 FPM	O-ring Ø 12 x Ø 3 FPM
8	1	16-6977	O-ring Ø 21,82 x Ø 3,53 FPM	O-ring Ø 21.82 x Ø 3.53 FPM
9	1	STM3066	Klem RSGU 1-15	Clamp RSGU 1-15
10	1	08-01389	Ring d=5	Washer d=5
11	1	B06167Y	Inbusbout M6x16	Allen bolt M6x16



VD6.170 VD6.210 Turbo olieleiding

Turbo oil line

pos.	qty	part	benaming	description
1	1	16-5451	Turbo olietoevoerleiding	Turbo oil feed pipe
2	2	STM3518	Banjo bout M14x1,5	Banjo bolt M14x1.5
3	4	R142010K	Afdichtring M14	Seal washer M14
4	1	16-3595	Steun actuator	Support actuator
5	2	B08205YT	Bout M8x20	Hex head bolt M8x20
6	2	R085Y	Gegolfde veerring M8	Wave spring washer M8
7	2	STM3749	Ring Ø24 dikte=1,6	Washer Ø24 thickness=1.6
8	1	DM10032	Turbo olieterugloopleiding (2+3)	Oil turbo return line (2+3)
9	1	DM10160	O-ring	O-ring
10	1	DM10032	Olieterugloopleiding	Oil return line
11	1	17-10187	Pakking	Gasket
12	2	DM10161	Bout	Bolt
13	1	DM10162	Borgklem	Retainer
14	1	DM10164	Bout	Bolt
15	1	21-21053	Afstelplaat	Adjusting plate



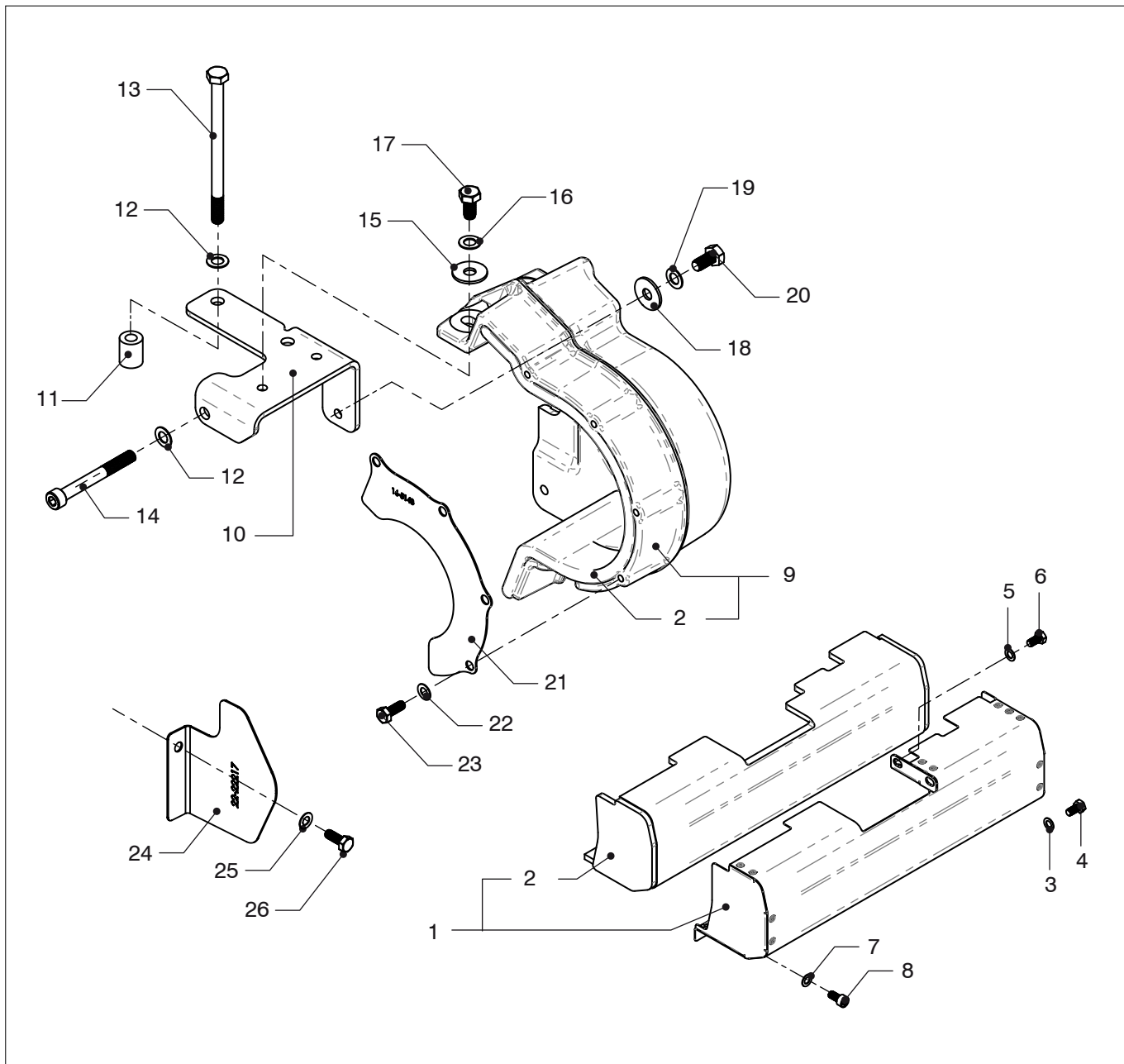
VD4.120

VD4.140

Uitlaatisolatie + turbo isolatie

Exhaust isolation + turbo insulation

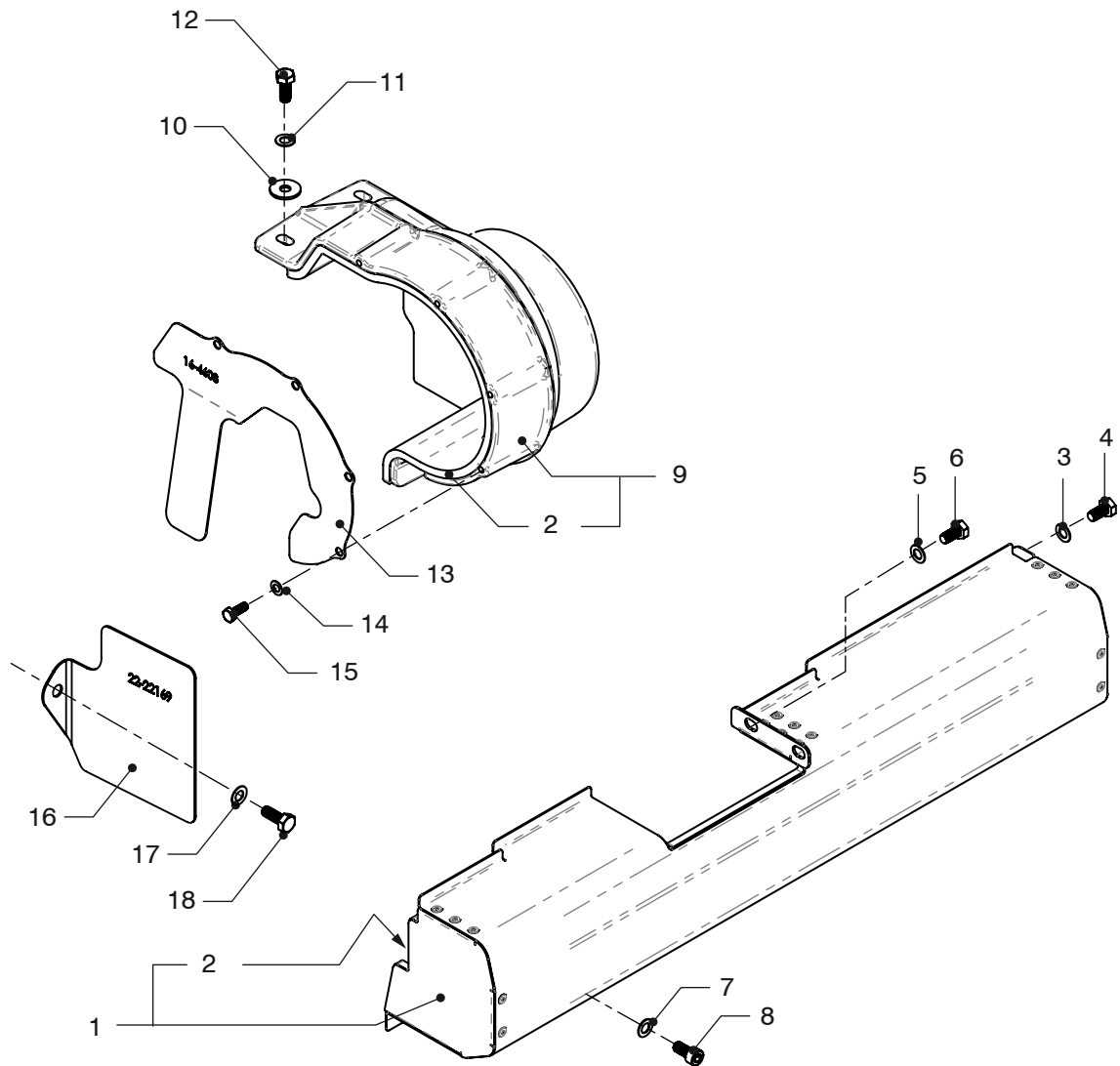
pos.	qty	part	benaming	description
1	1	16-6320	Uitlaatspruitstuk isolatiekast	Exhaust isolation box
2	1	STM9871	Isolatiemat	Isolation mat
3	2	R085Y	Gegolfde veerring M8	Wave spring washer M8
4	2	B08165YT	Zeskantbout M8x16	Hex head bolt M8x16
5	2	R085Y	Gegolfde veerring M8	Wave spring washer M8
6	2	B08165YT	Zeskant bout M8x16	Hex head bolt M8x16
7	4	R085Y	Gegolfde veerring M8	Wave spring washer M8
8	4	B08167Y	Inbusbout M8x16	Allen bolt M8x16
9	1	16-7475	Turbo isolatiekast	Turbo isolation box
10	1	16-5023	Steun	Support
11	2	16-5024	Bus l=20	Bush l=20
12	3	R085Y	Gegolfde veerring M8	Wave spring washer M8
13	2	B081205Y	Zeskantbout M8x120	Hex head bolt M8x120
14	1	B08707Y	Inbusbout M8x70	Allen bolt M8x70
15	2	R082Y	Ring	Washer
16	2	R085Y	Gegolfde veerring M8	Wave spring washer M8



VD4.120 VD4.140 Uitlaatisolatie + turbo isolatie

Exhaust isolation + turbo insulation

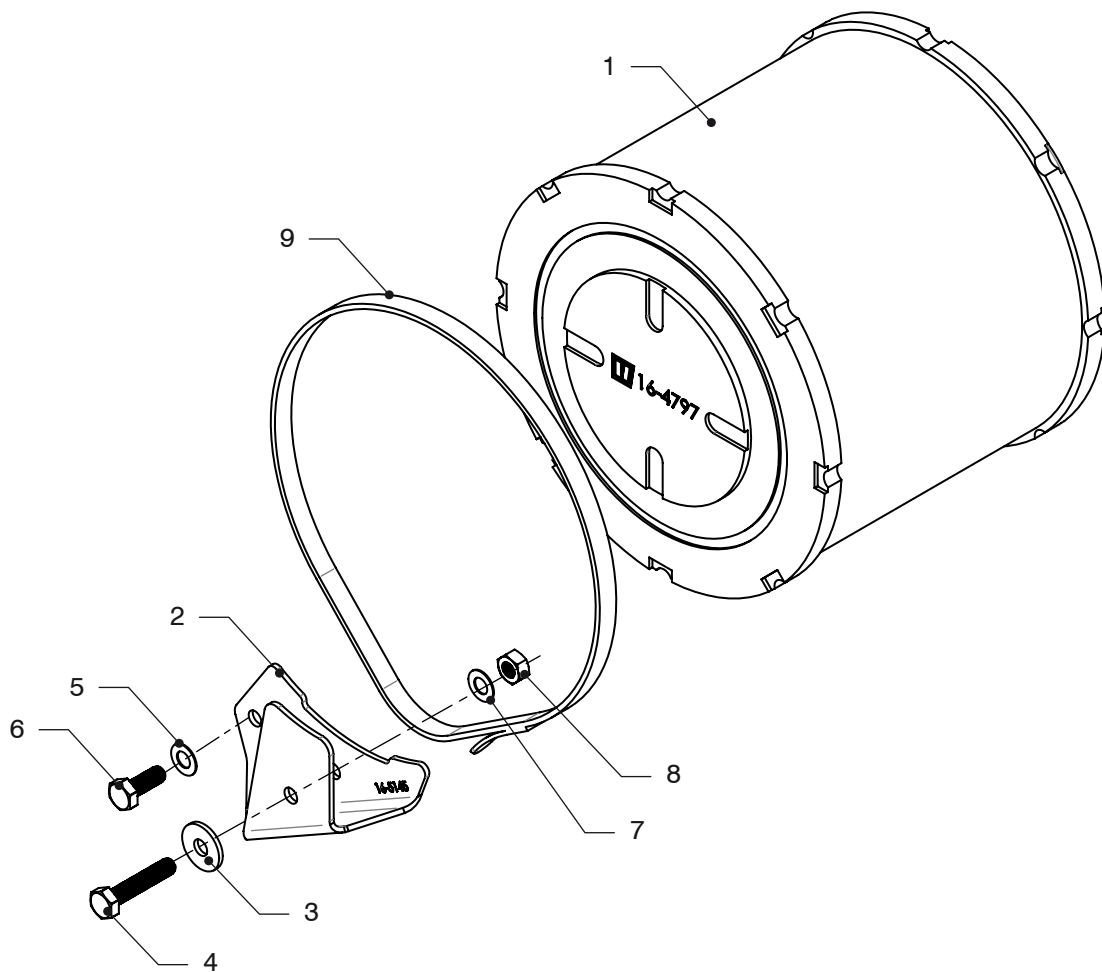
pos.	qty	part	benaming	description
17	2	B08165YT	Zeskantbout M8x16	Hex head bolt M8x16
18	1	R082Y	Ring	Washer
19	1	R085Y	Gegolfde veerring M8	Wave spring washer M8
20	1	B08165YT	Zeskantbout M8x16	Hex head bolt M8x16
21	1	16-5143	Afschermplaat	Protection plate
22	4	R065Y	Gegolfde veering M6	Wave spring washer M6
23	4	B06165YT	Zeskantbout M6x16	Hex head bolt M6x16
24	1	22-22217	Afscherming	Shield
25	1	R065Y	Gegolfde veerring M6	Wave spring washer M6
26	1	STM1024	Bout M6x16	Bolt M6x16



VD6.170 VD6.210 Uitlaatisolatie + turbo isolatie

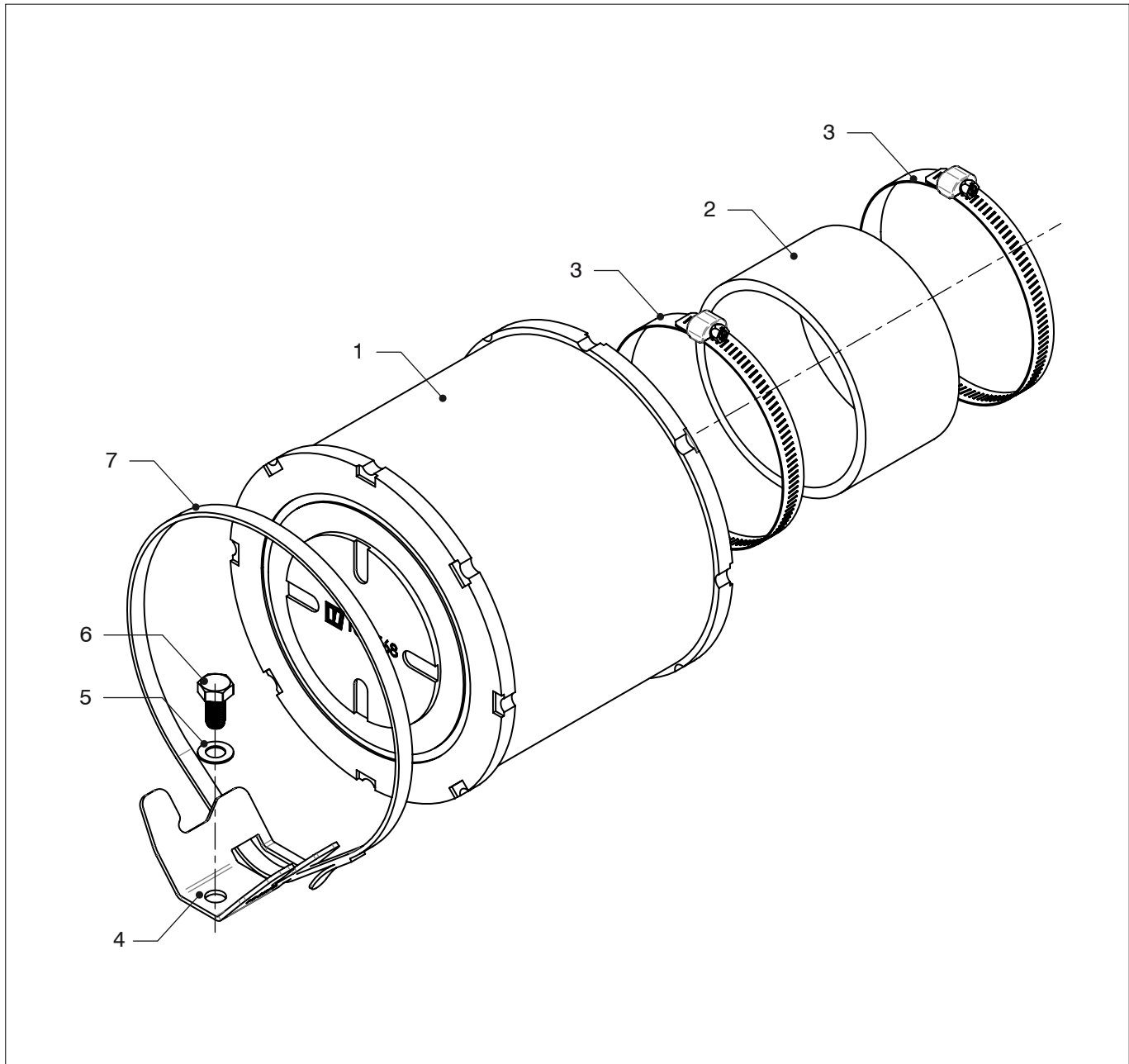
Exhaust isolation + turbo insulation

pos.	qty	part	benaming	description
1	1	16-5618	Uitlaatspruitstuk isolatiekast	Exhaust isolation box
2	1	STM9871	Isolatiemat	Isolation mat
3	2	R085Y	Gegolfde veerring M8	Wave spring washer M8
4	2	B08165YT	Zeskantbout M8x16	Hex head bolt M8x16
5	2	R085Y	Gegolfde veerring M8	Wave spring washer M8
6	2	B08165YT	Zeskant bout M8x16	Hex head bolt M8x16
7	5	R085Y	Gegolfde veerring M8	Wave spring washer M8
8	5	B08167Y	Inbusbout M8x16	Allen bolt M8x16
9	1	16-6381	Turbo isolatiekast	Turbo isolation box
10	2	STM3749	Ring	Washer
11	2	R085Y	Gegolfde veerring M8	Wave spring washer M8
12	2	B08205YT	Zeskantbout M8x20	Hex head bolt M8x20
13	1	16-4608	Afschermplaat	Protection plate
14	4	R065Y	Gegolfde veering M6	Wave spring washer M6
15	4	B06165YT	Zeskantbout M6x16	Hex head bolt M6x16
16	1	22-22169	Afscherming	Shield
17	1	R065Y	Gegolfde veering M6	Wave spring washer M6
18	1	STM1024	Bout M6x16	Bolt M6x16



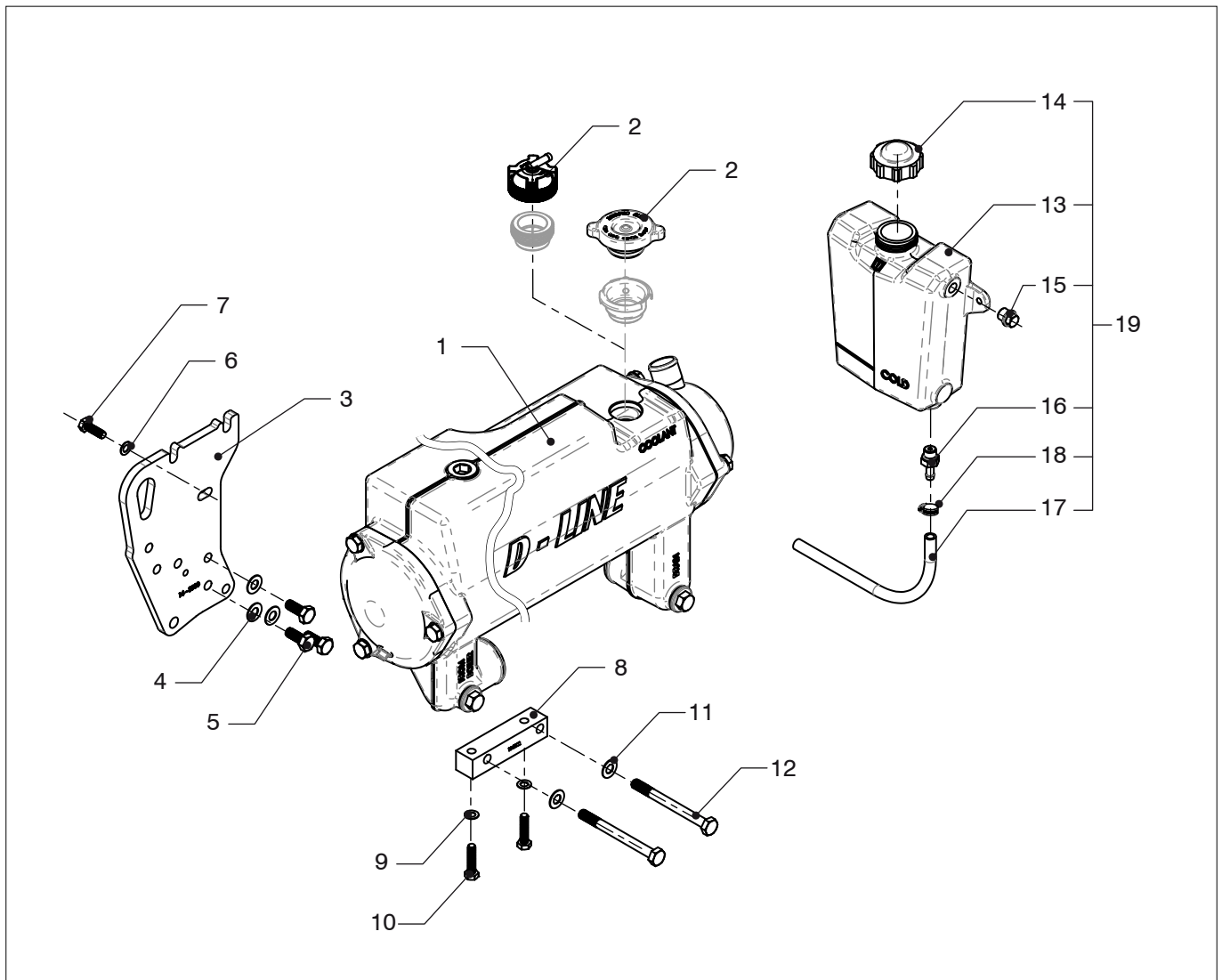
VD4.120 VD4.140 Luchtfilter Air cleaner

pos.	qty	part	benaming	description
1	1	16-4797	Luchtfilter element	Air filter element
2	1	16-5145	Steun	Support
3	2	R065Y	Gegolfde veerring M6	Wave spring washer M6
4	2	B06165YT	Zeskantbout M6x16	Hex head bolt M6x16
5	1	R062Y	Ring M6	Washer M6
6	1	B06305YT	Zeskantbout M6x30	Hex head bolt M6x30
7	1	R065Y	Gegolfde veerring M6	Wave spring washer M6
8	1	M06Y	Moer M6	Nut M6
9	1	16-5172	Binder	Tie



VD6.170 VD6.210 Luchtfilter Air cleaner

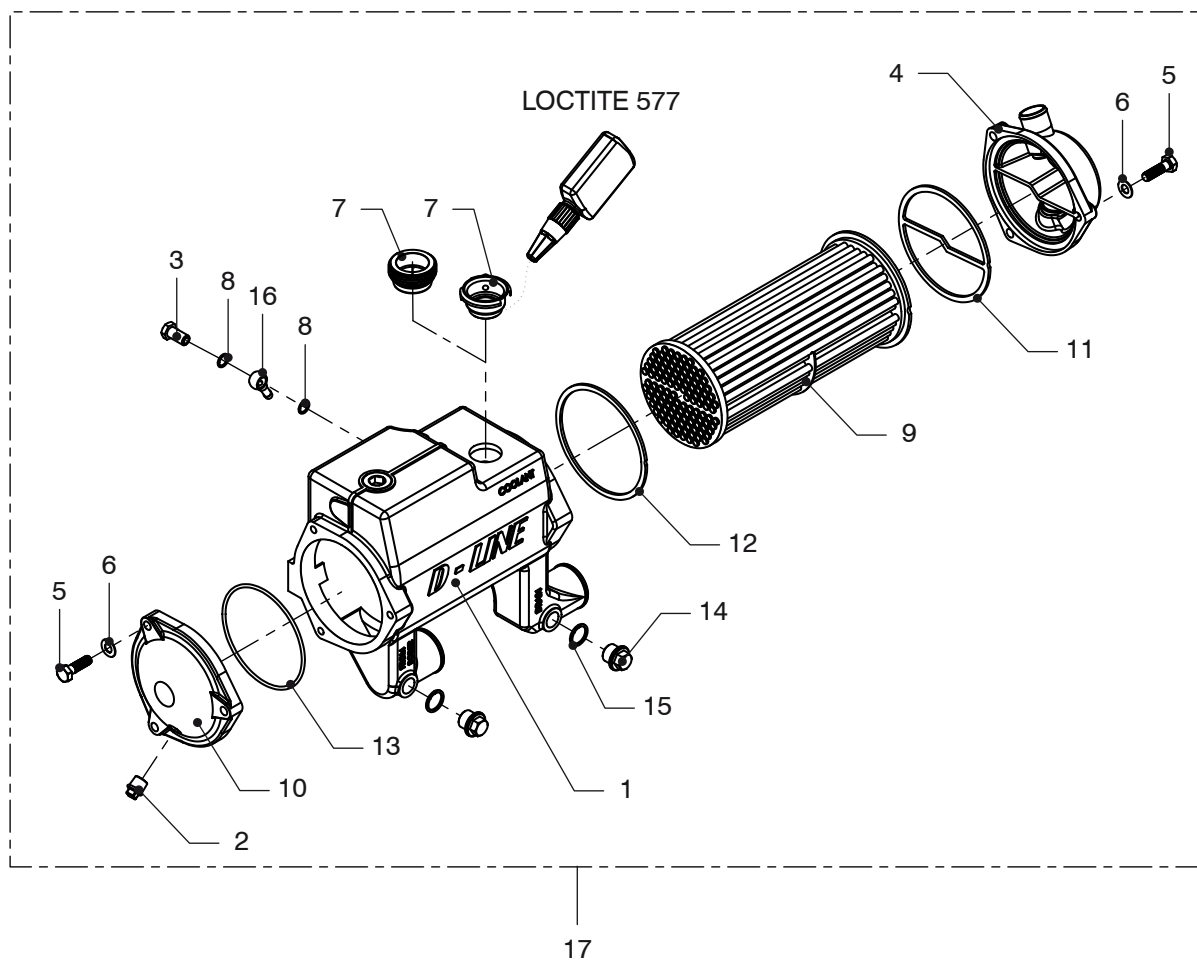
pos.	qty	part	benaming	description
1	1	15-2768	Luchtfilter element	Air filter element
2	1	16-3370	Slang	Hose clamp
3	2	SLKL90	Slangklem	Hose clamp
4	1	16-3373	Steun	Support
5	2	R085Y	Gegolfde veerring M8	Wave spring washer M8
6	2	B08165YT	Zeskantbout M8x16	Hex head bolt M8x16
7	1	16-5172	Binder	Tie



VD4.120 **VD4.140** **Warmtewisselaar assy**
VD6.170 **VD6.210**

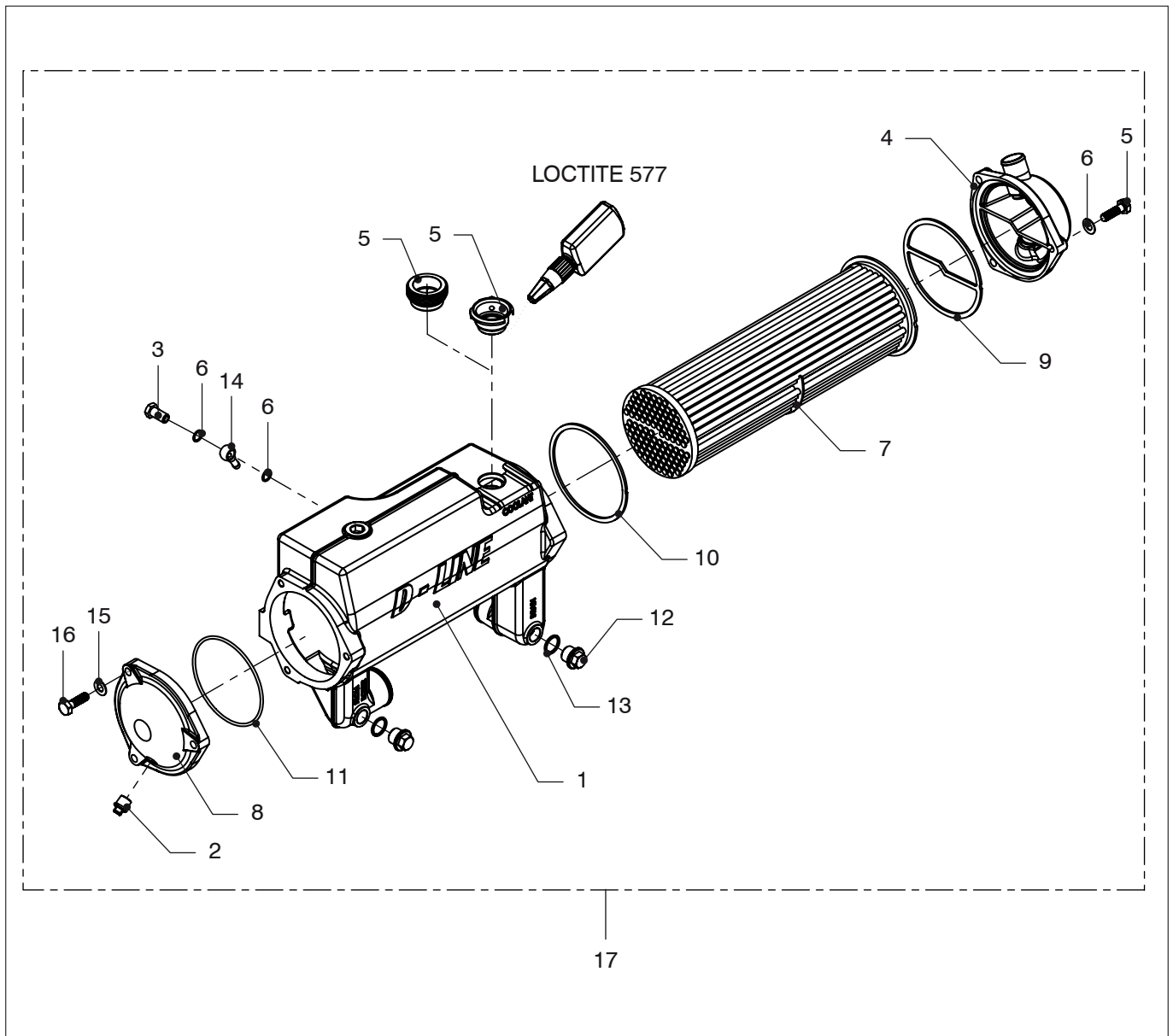
Heat exchanger assy

pos.	qty	part	benaming	description
1	1	16-7473	Warmtewisselaar unit VD4	Heat exchanger unit VD4
	1	16-6249	Warmtewisselaar unit VD6	Heat exchanger unit VD6
2	1	STM8122	Drukdop 1,5 bar	Pressure cap 1.5 bar
	1	18-14716	Drukdop 1,4 bar blauw	Pressure cap 1.4 bar blue
3	1	16-3333	Steun	Support
4	3	R105Y	Gegolfde veerring M10	Wave spring washer M10
5	3	B10255YT	Zeskantbout M10x25	Hex head bolt M10x25
6	1	STM3749	Gegolfde veerring M8	Wave spring washer M8
7	1	B08255YT	Zeskantbout M8x25	Hex head bolt M8x25
8	1	16-3322	Steun	Support
9	2	R085Y	Gegolfde veerring M8	Wave spring washer M8
10	2	B08355YT	Zeskantbout M8x35	Hex head bolt M8x35
11	2	R105Y	Gegolfde veerring M10	Wave spring washer M10
12	2	B101105Y	Zeskantbout M10x110	Hex head bolt M10x110
13	1	08-01487	Expansietank 1,5 liter	Headertank 1.5 ltr
14	1	STM8211	Dop (open)	Cap (open)
15	1	STM8792	Plug G1/4	Plug G1/4
16	1	STM6511	Slangpilaar G1/4	Hose pillar G1/4
17	1	STM9504	Slang l=1500mm	Hose l=1500mm
18	2	STM9505	Slangklem mini 14	Hose clamp mini 14
19	1	EXPT1,5U	Expansietank 1,5 liter compleet	Headertank 1.5 ltr cpl



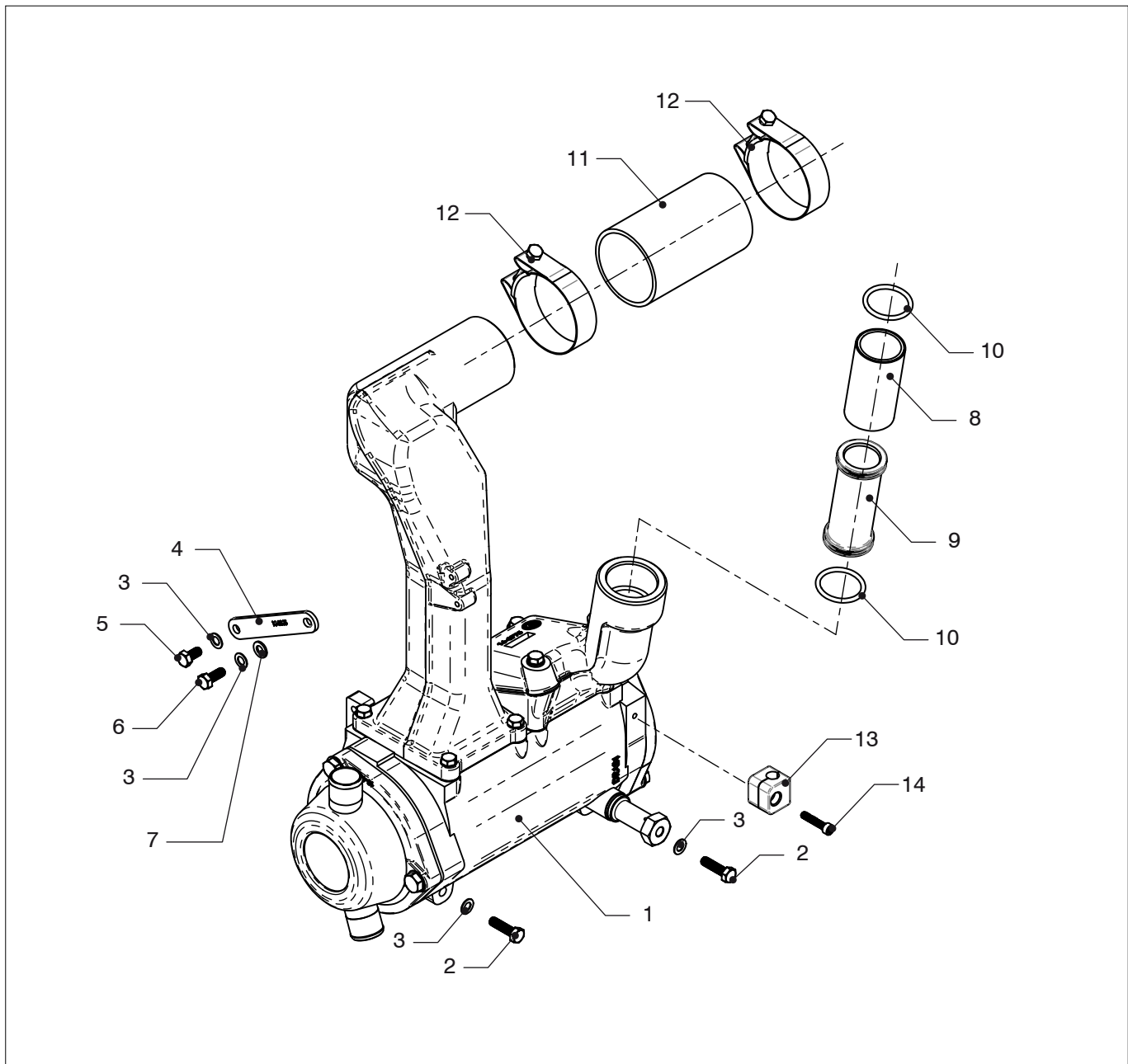
VD4.120 VD4.140 Warmtewisselaar Heat exchanger

pos.	qty	part	benaming	description
1	1	15-2795	Warmtewisselaarhuis	Heat exchanger body
2	1	16-5034	Plug G3/8	Plug G3/8
3	1	16-5600	Banjo bolt M12x1,75	Banjo bolt M12x1,75
4	1	16-6931	Aansluitdeksel	Connection cover
5	6	B10355Y	Zeskantbout M10x35	Hex head bolt M10x35
6	6	R105Y	Gegolgte veerring M10	Wave spring washer M10
7	1	STM1515	Vulnek	Filler neck
	1	18-14649	Vulnek adapter	Filler neck adaptor
8	2	STM7056	Afdichtring M12	Seal washer M12
9	1	17-10978	Pijpenbundel	Tube stack
10	1	STM8305	Omkeerdeksel	Return cover
11	1	STM8307	Pakking aansluitdelsel	Gasket connection cover
12	1	STM8308	Pakking aansluitdelsel	Gasket connection cover
13	1	STM8309	O-ring	O-ring
14	2	STM8314	Plug G1/2	Plug G 1/2
15	2	STM8315	Afdichtring G1/2	Seal washer G1/2
16	1	STM9262	Banjo oog 12-Ø8	Banjo eye 12 - Ø8
17	1	16-7473	Warmtewisselaar compleet	Heat exchanger cpl.



VD6.170 VD6.210 Warmtewisselaar Heat exchanger

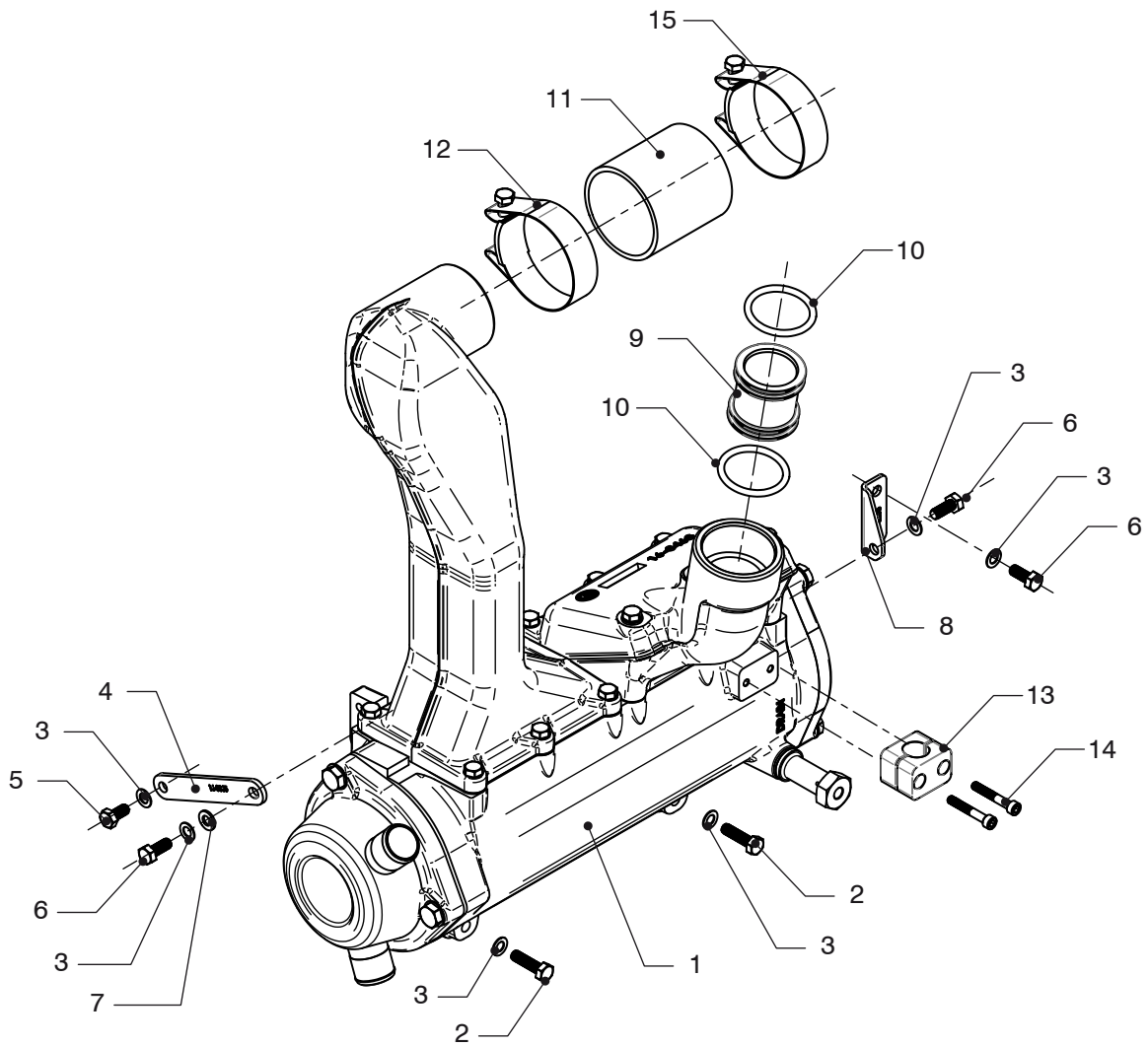
pos.	qty	part	benaming	description
1	1	15-2770	Warmtewisselaarhuis	Heat exchanger body
2	1	16-5034	Plug G3/8	Plug G3/8
3	1	16-5600	Banjo bolt M12x1,75	Banjo bolt M12x1,75
4	1	16-6931	Aansluitdeksel	Connection cover
5	1	STM1515	Vulnek	Filler neck
	1	18-14649	Vulnek adapter	Filler neck adaptor
6	2	STM7056	Afdichtring M12	Seal washer M12
7	1	17-10657	Pijpenbundel	Tube stack
8	1	STM8305	Omkeerdeksel	Return cover
9	1	STM8307	Pakking aansluitdelsel	Gasket connection cover
10	1	STM8308	Pakking aansluitdelsel	Gasket connection cover
11	1	STM8309	O-ring	O-ring
12	2	STM8314	Plug G1/2	Plug G 1/2
13	2	STM8315	Afdichtring G1/2	Seal washer G1/2
14	1	STM9262	Banjo oog 12-Ø8	Banjo eye 12 - Ø8
15	6	R105Y	Gegolgte veerring M10	Wave spring washer M10
16	6	B10355Y	Zeskantbout M10x35	Hex head bolt M10x35
17	1	16-6249	Warmtewisselaar compleet	Heatexchanger cpl.



VD4.120 VD4.140 Laadluchtkoeler assy

After cooler assy

pos.	qty	part	benaming	description
1	1	16-7472	Laadlucht-koeler unit	After cooler-unit
2	2	B08305YT	Zeskantbout M8x30	Hex head bolt M8x30
3	4	R085Y	Gegolfde veerring M8	Wave spring washer M8
4	1	16-3365	Steun	Bracket
5	1	B08165YT	Zeskantbout M8x16	Hex head bolt M8x16
6	1	B08205YT	Zeskantbout M8x20	Hex head bolt M8x20
7	1	R081Y	Ring 8x16	Washer 8x16
8	1	16-5203	Isolatiehuls	Isolation sleeve
9	1	16-4889	Bus	Bush
10	2	16-5091	O-ring 38x4 FPM	O-ring 38x4 FPM
11	1	16-4823	Slang	Hose
12	2	HCHD079	HD slangklem 79-85	HD hose clamp 79-85
13	1	16-7018	Pijpklem Ø12	Tube clamp Ø12
14	1	B06307Y	Inbusbout M6x30	Allen bolt M6x30



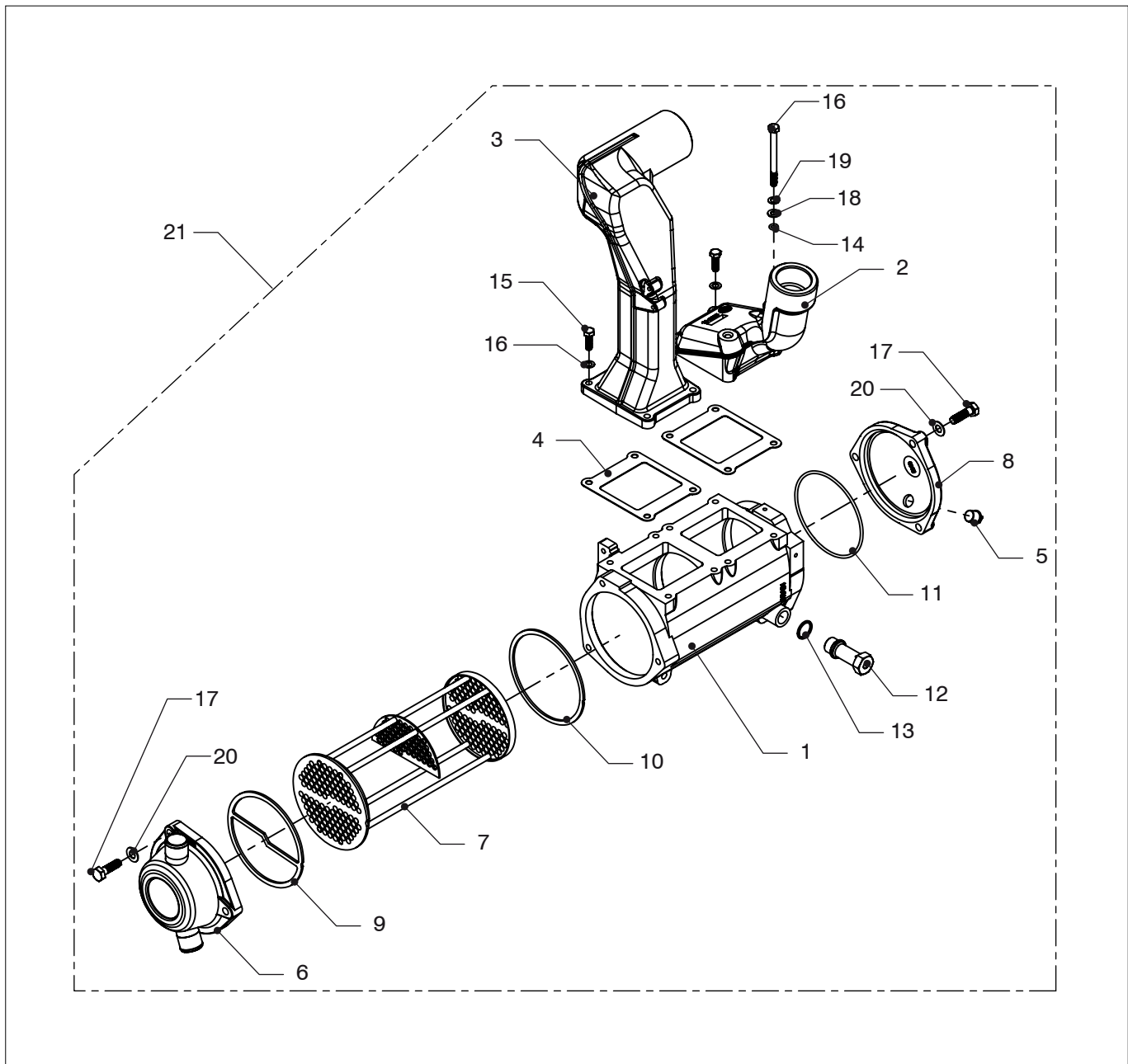
VD6.170

VD6.210

Laadluchtkoeler assy

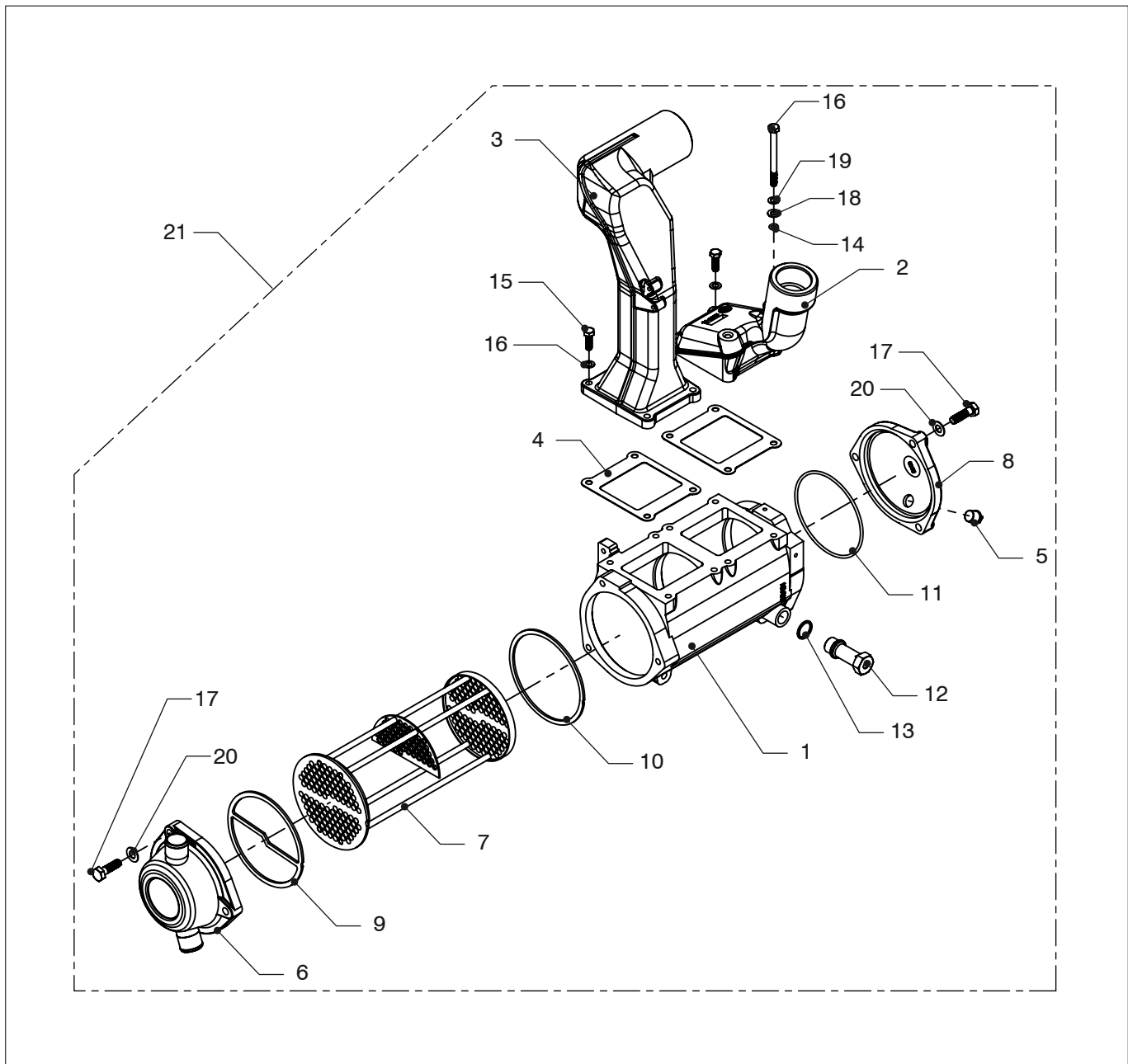
Aftercooler assy

pos.	qty	part	benaming	description
1	1	16-6248	Laadlucht-koeler unit	After cooler-unit
2	2	B08305YT	Zeskantbout M8x30	Hex head bolt M8x30
3	6	R085Y	Gegolfde veerring M8	Wave spring washer M8
4	1	16-3365	Steun	Bracket
5	1	B08165YT	Zeskantbout M8x16	Hex head bolt M8x16
6	3	B08205YT	Zeskantbout M8x20	Hex head bolt M8x20
7	1	R081Y	Ring 8x16	Washer 8x16
8	1	16-4205	Steun	Bracket
9	1	16-3466	Bus	Bush
10	2	16-3467	O-ring 45x5 FPM	O-ring 45x5 FPM
11	1	16-4198	Slang	Hose
12	1	HCHD079	HD slangklem 79-85	HD hose clamp 79-85
13	1	16-4489	Pijpklem Ø19	Tube clamp Ø19
14	2	B06407Y	Inbusbout M6x40	Allen bolt M6x40
15	1	HCHD079	HD Slangklem 79-85	HD hose clamp 79-85



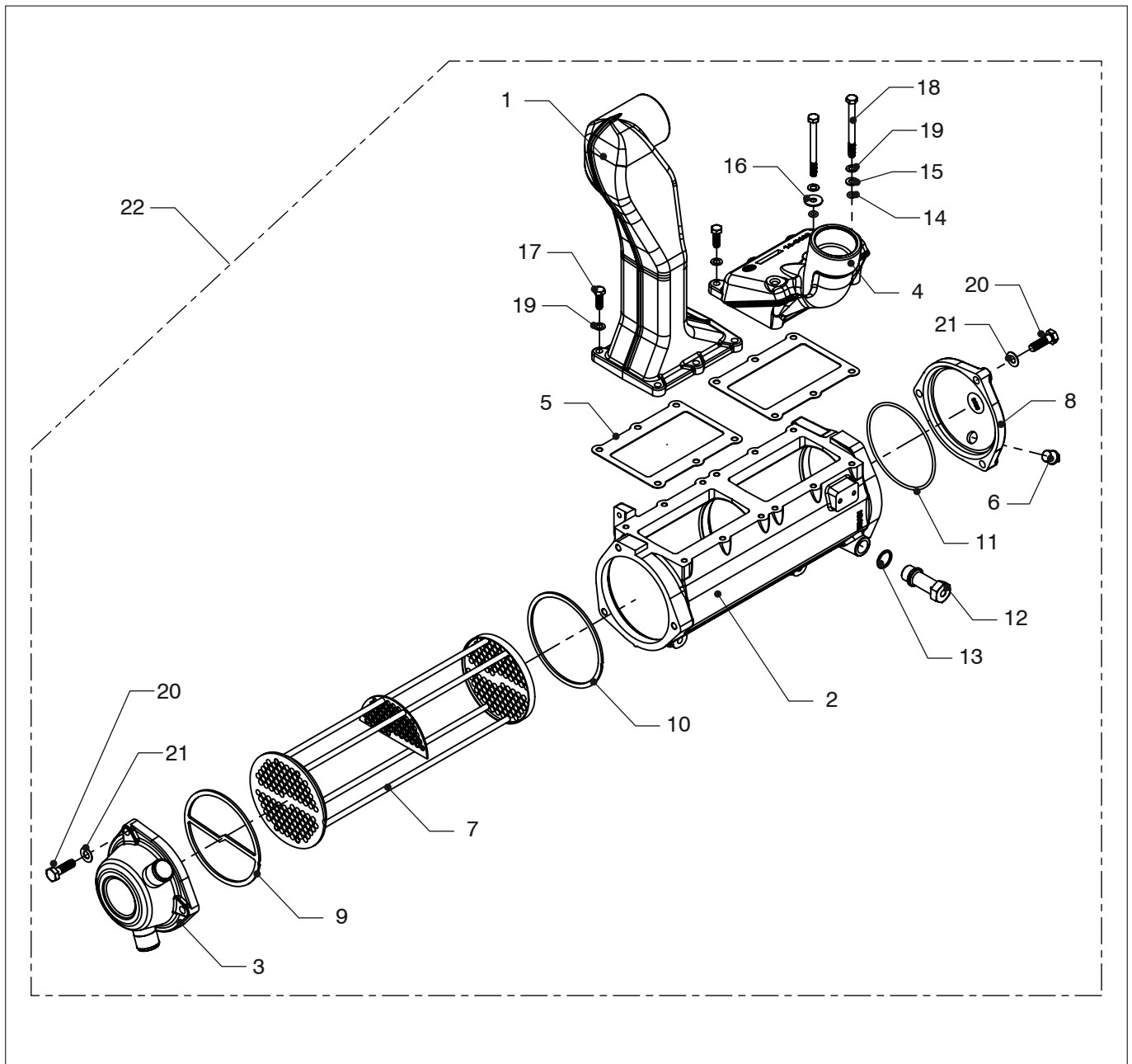
VD4.120 VD4.140 Laadlucht-koeler After cooler

pos.	qty	part	benaming	description
1	1	16-3774	Laadlucht koelerhuis	Aftercooler body
2	1	16-3775	Luchtpijp "in"	Air pipe "in"
3	1	16-3776	Luchtpijp "uit"	Air pipe "out"
4	2	16-4791	Pakking	Gasket
5	1	16-5034	Plug G3/8	Plug G3/8
6	1	16-6932	Aansluitdeksel	Connection cover
7	1	17-10978	Pijpenbundel	Tube stack
8	1	STM8305	Omkeerdeksel	Return cover
9	1	STM8307	Pakking aansluitdeksel	Gasket connection cover
10	1	STM8308	Pakking omkeerdeksel	Gasket return cover
11	1	STM8309	O-ring	O-ring
12	1	21-21506	Plug bleeding	Ontluchtingsplug
13	1	STM8315	Afdichtring G1/2	Seal washer G1/2
14	2	STM9655	O-ring	O-ring
15	6	B08255YT	Zeskantbout M8x25	Hex head bolt M8x25
16	2	B08905Y	Zeskantbout M8x90	Hex head bolt M8x90



VD4.120	VD4.140	Laadlucht-koeler	After cooler
---------	---------	------------------	--------------

pos.	qty	part	benaming	description
17	6	B10355Y	Zeskantbout M10x35	Hex head bolt M10x35
18	2	R081Y	Ring M8	Plain washer M8
19	8	R085Y	Gegolfde veerring M8	Wave spring washer M8
20	6	R105Y	Gegolfde veerring M10	Wave spring washer M10
21	1	16-7472	Laadluchtkoeler compleet	Aftercooler cpl.



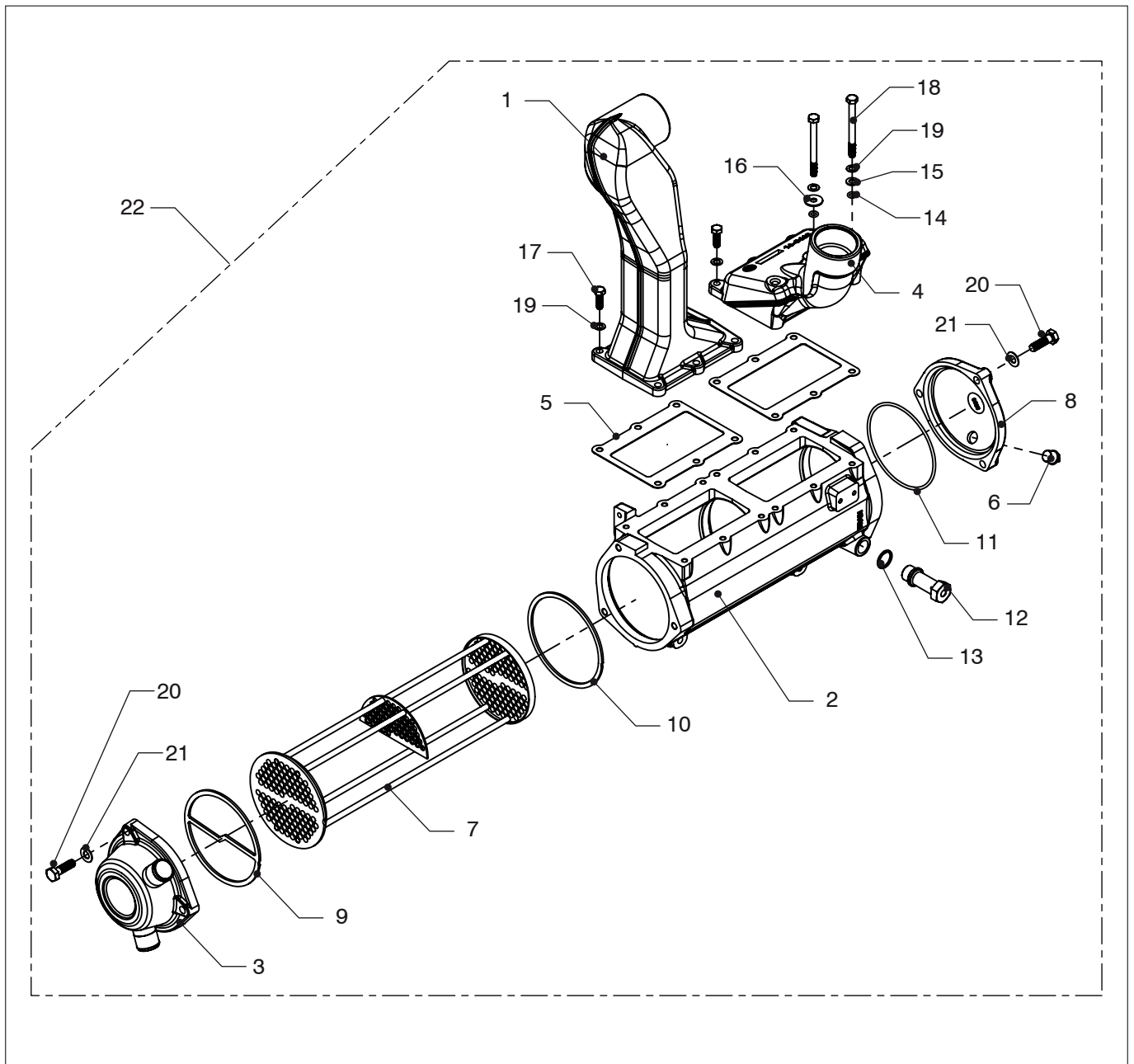
VD6.170

VD6.210

Laadlucht-koeler

After cooler

pos.	qty	part	benaming	description
1	1	15-2787	Luchtpijp "uit"	Airpipe "out"
2	1	15-2790	Laadlucht koelerhuis	Aftercooler Housing
3	1	16-6930	Aansluitdeksel	Connection cover
4	1	16-3468	Luchtpijp "in"	Airpipe "in"
5	2	16-4259	Pakking	Gasket
6	1	16-5034	Plug G3/8	Plug G3/8
7	1	17-10657	Pijpenbundel	Tube stack
8	1	STM8305	Omkeerdeksel	Return cover
9	1	STM8307	Pakking aansluitdeksel	Gasket connection cover
10	1	STM8308	Pakking omkeerdeksel	Gasket return cover
11	1	STM8309	O-ring	O-ring
12	1	21-21506	Plug bleeding	Ontluchtingsplug
13	1	STM8315	Afdichtring G1/2	Seal washer G1/2
14	3	STM9655	O-ring	O-ring
15	2	R081Y	Ring M8	Washer M8
16	1	R082Y	Ring M8 3D	Washer M8 3D



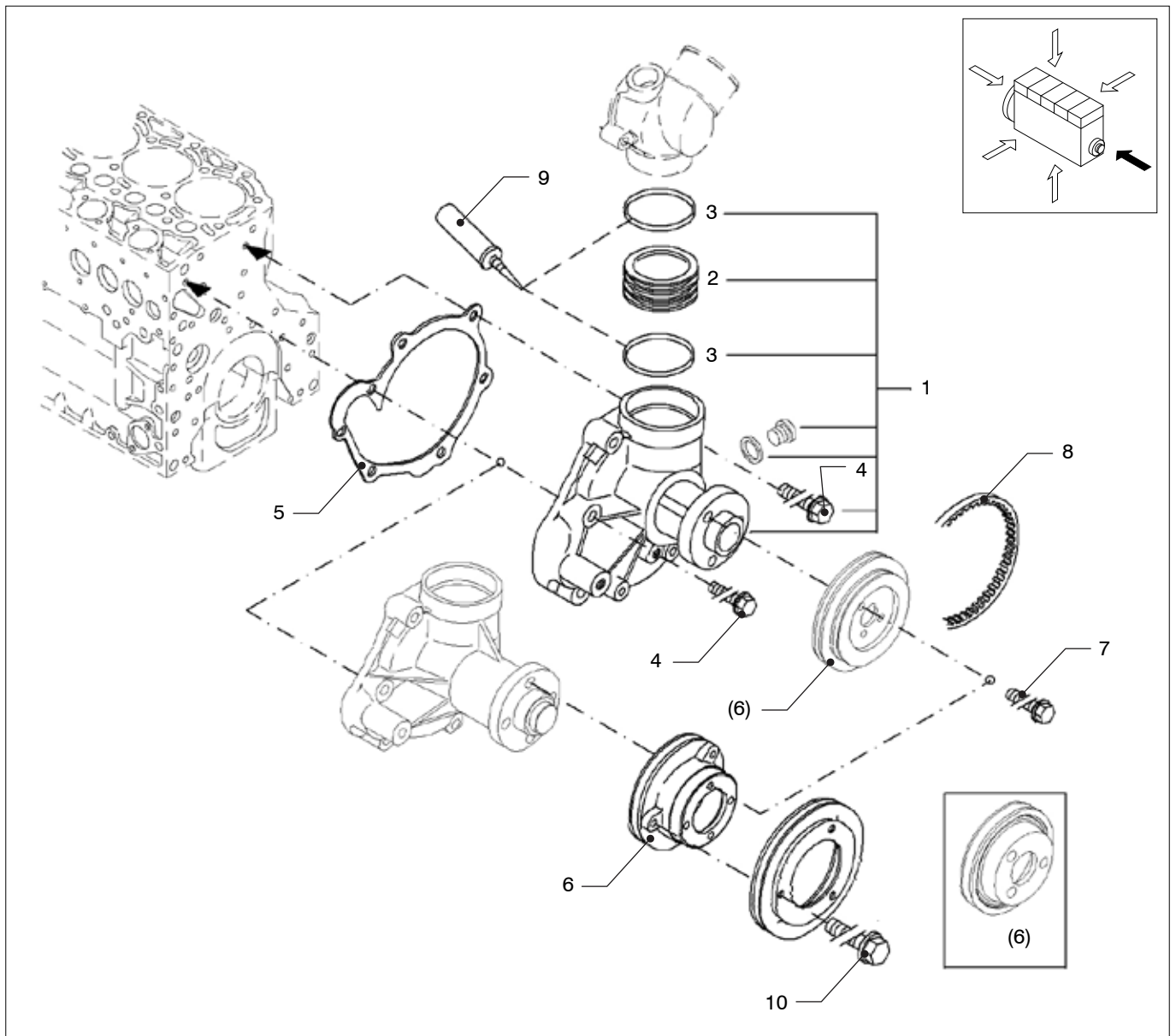
VD6.170

VD6.210

Laadlucht-koeler

After cooler

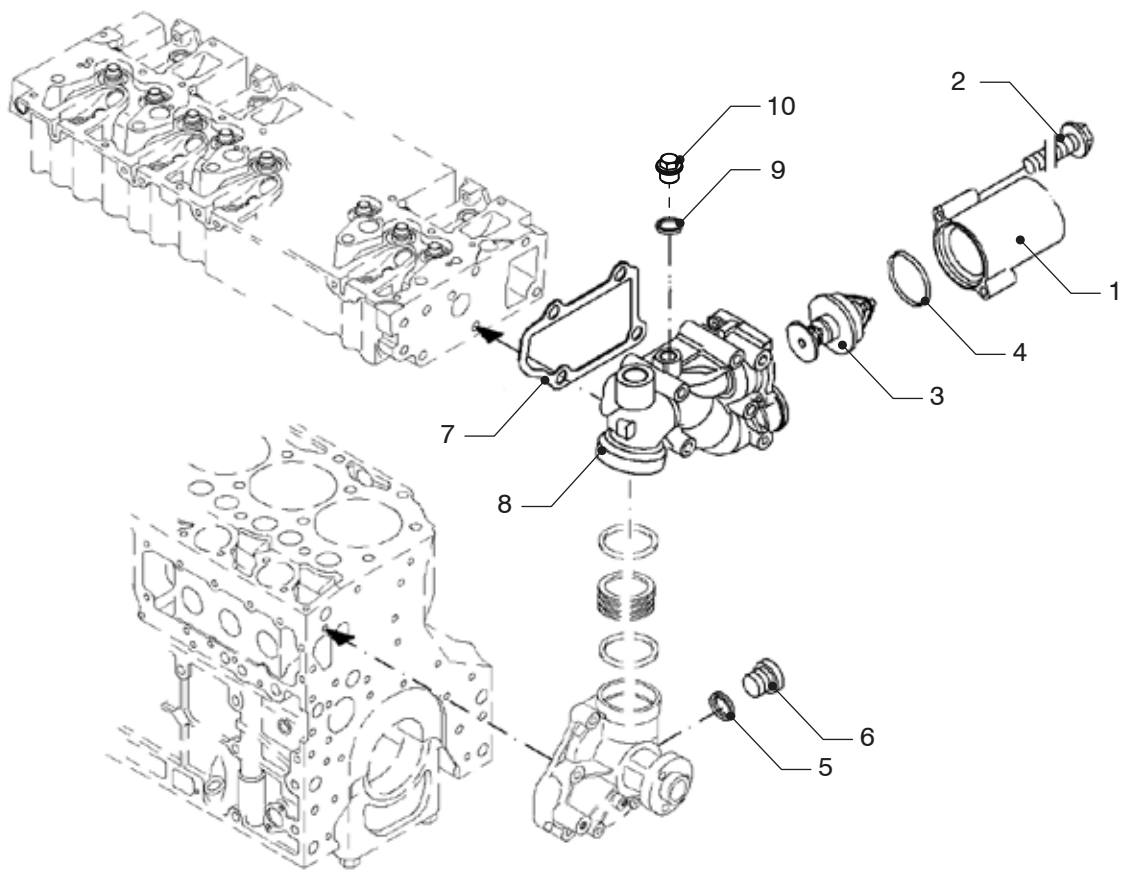
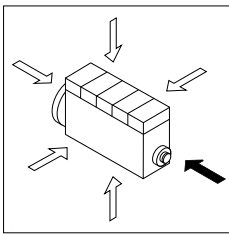
pos.	qty	part	benaming	description
17	9	B08255YT	Zeskantbout M8x25	Hex head bolt M8x25
18	3	B08905Y	Zeskantbout M8x90	Hex head bolt M8x90
19	12	R085Y	Gegolfde veerring M8	Wave spring washer m8
20	6	B10355Y	Zeskantbout M8x35	Hex head bolt M8x35
21	6	R105Y	Gegolfde veerring M10	Wave spring washer M10
22	1	16-6248	Laadluchtkoeler compleet	Aftercooler cpl.



VD4.120 VD4.140
VD6.170 VD6.210 **Circulatiepomp**

Coolant pump

pos.	qty	part	benaming	description
1	1	DZ37001	Waterpomp	Circulation pump
2	1	DZ37002	Plug	Plug
3	2	DZ37003	O-Ring	O-seal
4	6	DZ37004	Zeskantbout	Hexagon bolt
5	1	DZ37006	Pakking	Gasket
6	1	DZ37013	Poelie	V-grooved pulley
7	3	DZ37016	Zeskantbout	Hexagon bolt
8	1	VD20723	V-snaar	V-belt
9	1	DZ37010	Montagepasta	Mounting compound
10	3	DZ37012	Zeskantbout	Hexagon bolt

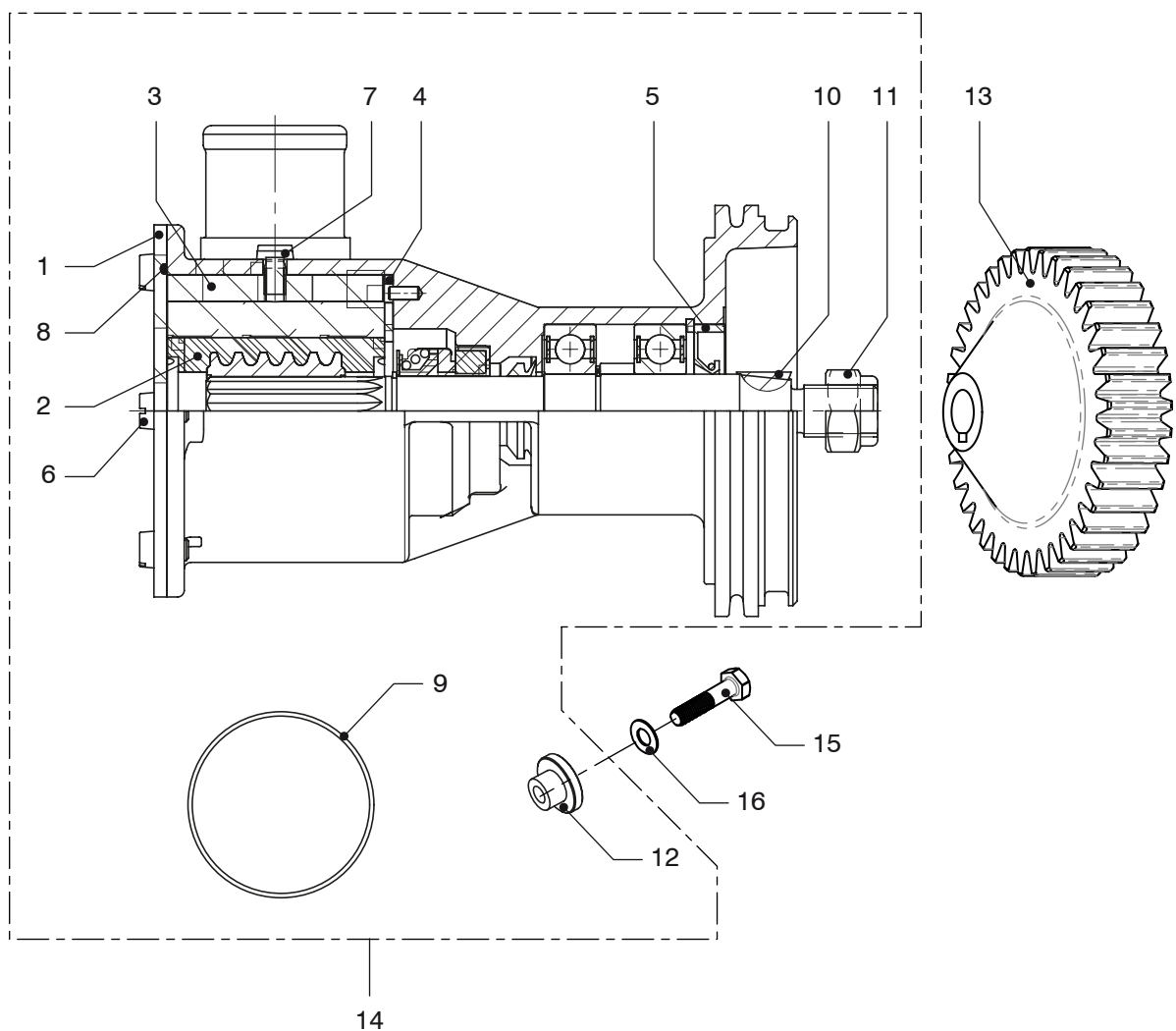


VD4.120 **VD4.140**
VD6.170 **VD6.210**

Thermostaat

Thermostat

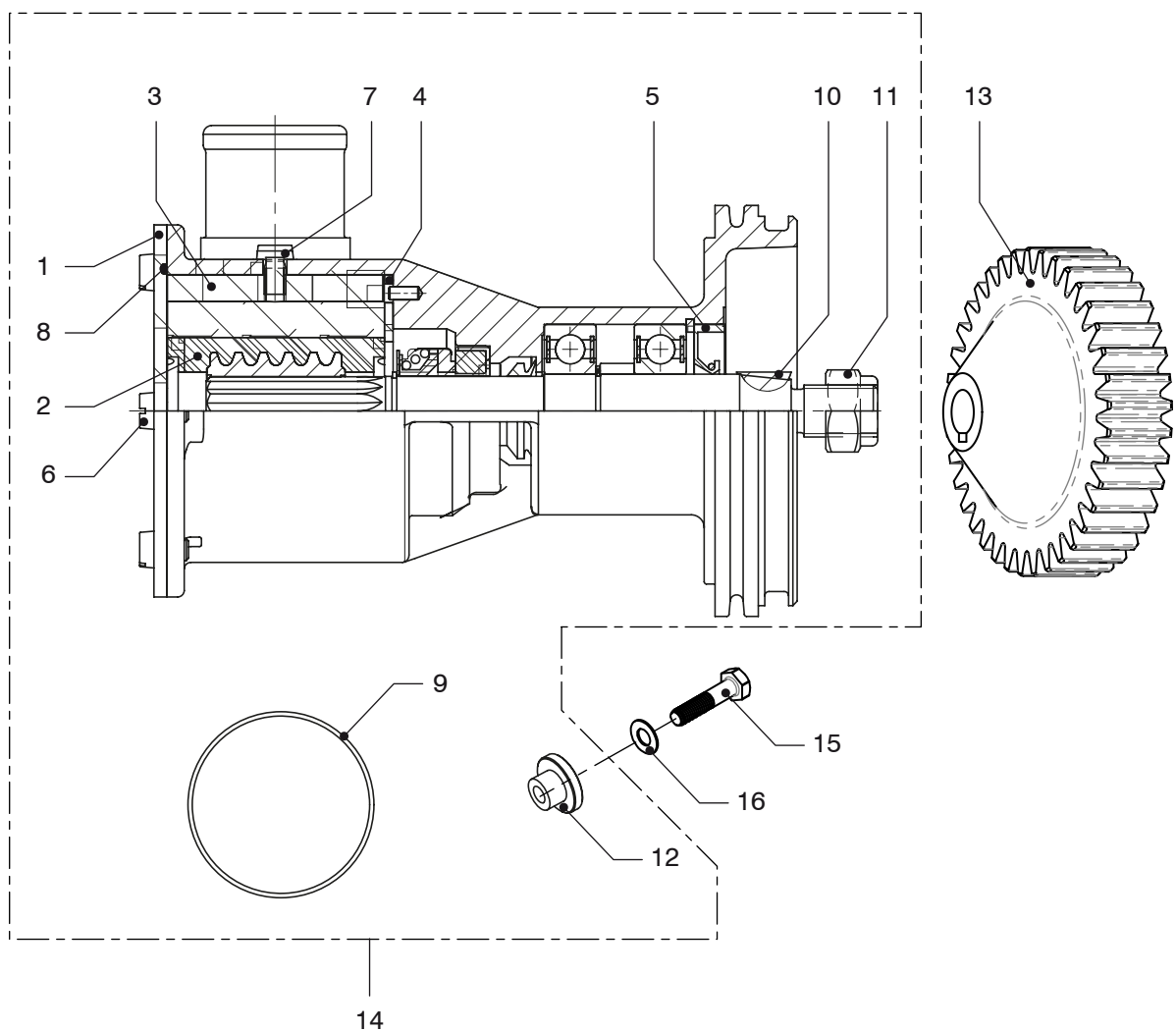
pos.	qty	part	benaming	description
1	1	DZ38001	Thermostaat deksel	Thermostat cover
2	2	DZ38002	Zeskantbout	Hexagon bolt
3	1	DZ38003	Thermostaat 83°C	Thermostat 83°C
4	1	DZ38004	Afdichtring	Sealing ring
5	1	DZ38005	Afdichtring	Sealing ring
6	1	DZ38006	Plug	Screw plug
7	1	DZ38011	Pakking	Gasket
8	1	DZ38012	Huis	Housing
9	1	STM6617	Afdichtring	Sealing ring
10	1	STM9646	Plug M16x1,5	Plug M16x1,5



VD4.120 VD4.140 Zeewaterpomp SPX

Seawater pump SPX

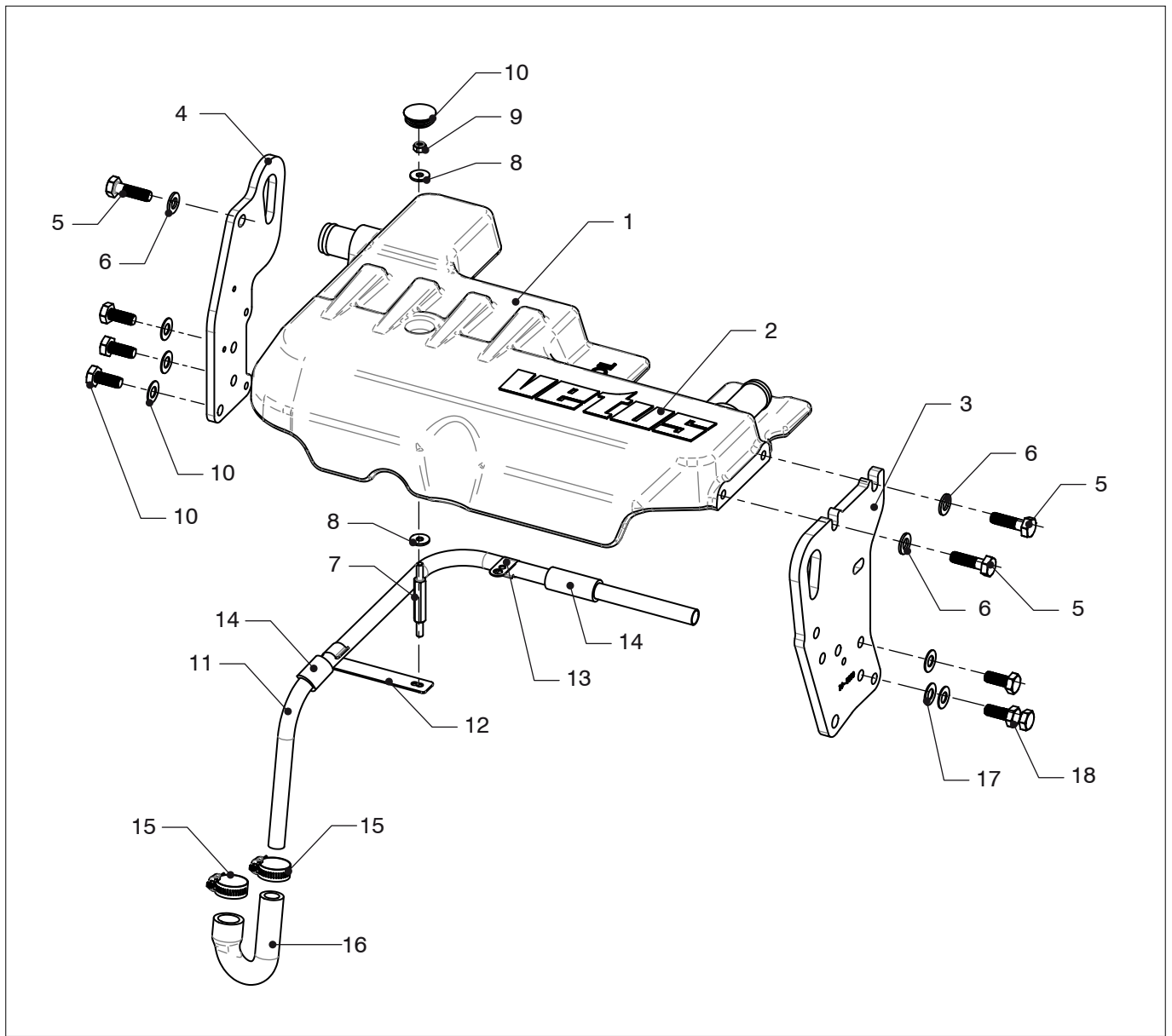
pos.	qty	part	benaming	description
1	1	DM10006	Eindeksel	End cover
2	1	STM8250	Impeller 8 bladen	Impeller 8 blades
3	1	DM10010	Kam 2/3 (4,7mm)	Cam 2/3 (4,7mm)
4	1	DM10009	Slijtplaat	Wear plate
5	1	STM9469	Keerring	Lip seal
6	6	STM8232	Schroef	Screw
7	1	DM10012	Schroef	Screw
8	1	STM9974	O-ring	O-ring
9	1	STM8249	O-ring	O-ring
10	1	DM10015	Spie	Woodruff key
11	1	DM10016	Moer	Nut
12	2	STM8231	Klemplaat	Clamp
13	1	VD30017	Tandwiel	Gear wheel
14	1	STM8922	Zeewaterpomp	Seawater pump
15	2	B08605YT	Bout M8x60	Bolt M8x60
16	2	R085Y	Veerring M8	Spring Washer M5



VD6.170 VD6.210 Zeewaterpomp

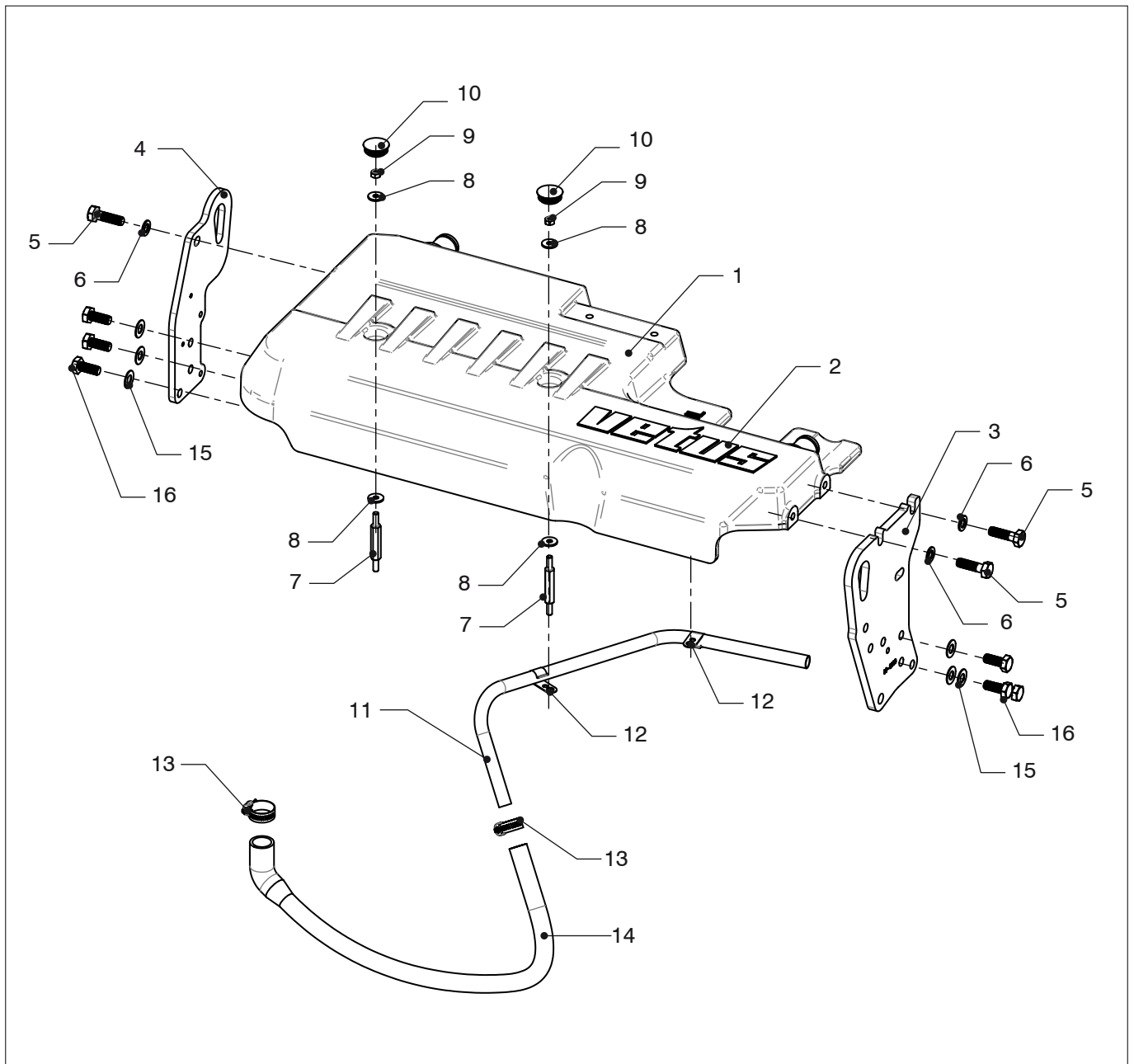
Seawater pump

pos.	qty	part	benaming	description
1	1	DM10006	Eindeksel	End cover
2	1	STM8250	Impeller 8 bladen	Impeller 8 blades
3	1	DM10008	Kam 1/1 (6mm)	Cam 1/1 (6mm)
4	1	DM10009	Slijtplaat	Wear plate
5	1	STM9469	Keerring	Lip seal
6	6	STM8232	Schroef	Screw
7	1	DM10012	Schroef	Screw
8	1	STM9974	O-ring	O-ring
9	1	STM8249	O-ring	O-ring
10	1	DM10015	Spie	Woodruff key
11	1	DM10016	Moer	Nut
12	2	STM8231	Klemplaat	Clamp
13	1	VD30017	Tandwiel	Gear wheel
14	1	STM8921	Zeewaterpomp	Seawater pump
15	2	B08605YT	Bout M8x60	Bolt M8x60
16	2	R085Y	Veerring M8	Spring Washer M8



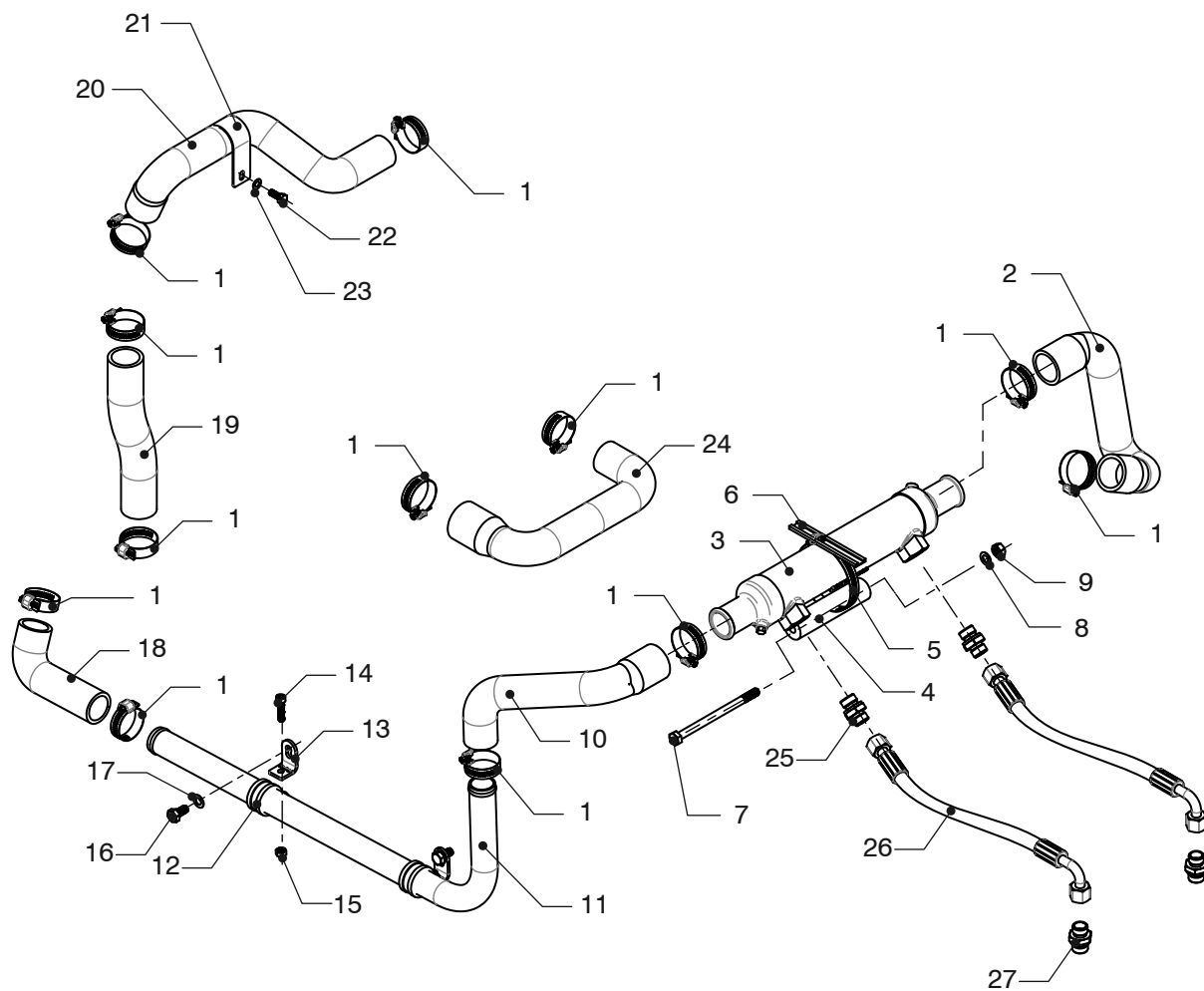
VD4.120 VD4.140 Bovenkap Top cover

pos.	qty	part	benaming	description
1	1	16-4874	Bovenkap	Top cover
2	1	16-4969	Vetus logo sticker	Vetus logo sticker
3	1	16-3333	Hijsoog voorzijde	Lifting eye front side
4	1	16-3625	Hijsoog achterzijde	Lifting eye back side
5	3	B10355Y	Zeskantbout M10x35	Hex head bolt M10x35
6	3	R101Y	Ring M10	Washer M10
7	1	17-8897	Stud M6 M6	Stud M6 M6
8	2	R062Y	Ring M6 3D	Washer M6 3D
9	1	M06BY	Zelfborgende moer M6	Nyloc nut M6
10	1	08-01387	Dop	Cap
11	1	17-9701	Carterontluchtingspijp	Crankcase bleeding pipe
12	1	17-9711	Klem	Clamp
13	1	16-8629	Klem	Clamp
14	2	17-9755	Isolatie huls	Isolation sleeve
15	2	SLKL25	Slangklem	Hose clamp
16	1	17-9723	Slang	Hose
17	6	R105Y	Gegolfde veerring M10	Wave spring washer M10
18	6	B10255YT	Zeskantbout M10x25	Hex head bolt M10x25



VD6.170 VD6.210 Bovenkap Top cover

pos.	qty	part	benaming	description
1	1	15-2789	Bovenkap	Top cover
2	1	16-4569	Vetus logo sticker	Vetus logo sticker
3	1	16-3333	Hijsoog voorzijde	Lifting eye front side
4	1	16-3625	Hijsoog achterzijde	Lifting eye back side
5	3	B10355Y	Zeskantbout M10x35	Hex head bolt M10x35
6	3	R101Y	Ring M10	Washer M10
7	2	17-8897	Stud M6 M6	Stud M6 M6
8	4	R062Y	Ring M6 3D	Washer M6 3D
9	2	M06BY	Zelfborgende moer M6	Nyloc nut M6
10	2	08-01387	Dop	Cap
11	1	16-6080	Carterontluchtingspijp	Crankcase bleeding pipe
12	2	17-8629	Klem	Clamp
13	1	SLKL25	Slangklem	Hose clamp
14	1	16-5039	Slang	Hose
15	6	R105Y	Gegolfde veerring M10	Wave spring washer M10
16	6	B10255YT	Zeskantbout M10x25	Hex head bolt M10x25



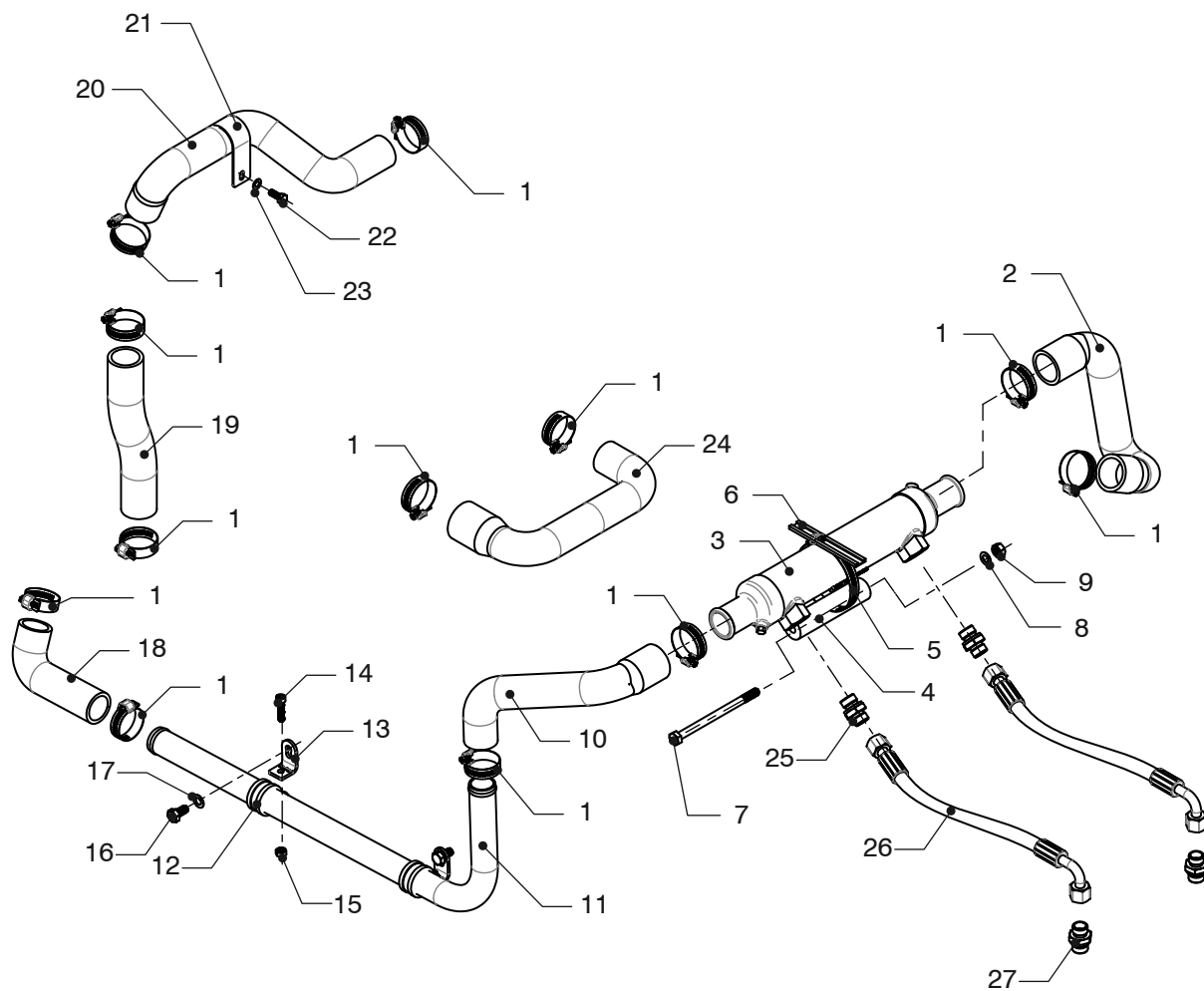
VD4.120

VD4.140

Buitenwater koelsysteem

Raw water cooling system

pos.	qty	part	benaming	description
1	12	SLKL25	Slangklem	Hose clamp
2	1	16-3572	Slang	Hose
3	1	16-3565	Oliekoeler 9,5"-Ø51-G3/8-32 ZF	Oil cooler 9.5"-Ø51-G3/8-32 ZF
	1	STM4995	Oliekoeler 9"-Ø75-G1/2-33 PRM750-1000	Oil cooler 9"-Ø75-G1/2-33 PRM750-1000
4	1	16-3579	Bus l=105	Bush l=105
5	1	SLKL60	Slangklem	Hose clamp
6	1	PC-P12NB	Afschermrubber	Protection gum
7	1	B081205Y	Zeskantbout M8x120	Hex head bolt M8x120
8	1	R085Y	Gegolfde veerring M8	Wave spring washer M8
9	1	M08Y	Moer M8	Nut M8
10	1	16-3571	Slang	Hose
11	1	16-4872	Pijp	Tube
12	2	16-4713	Klem Ø27	Clamp Ø27
13	2	16-4712	Steun	Bracket
14	2	B06257Y	Inbusbout M6x25	Allen bolt M6x25
15	2	M06Y	Moer M6	Nut M6
16	2	B08165YT	Zeskantbout M8x16	Hex head bolt M8x16



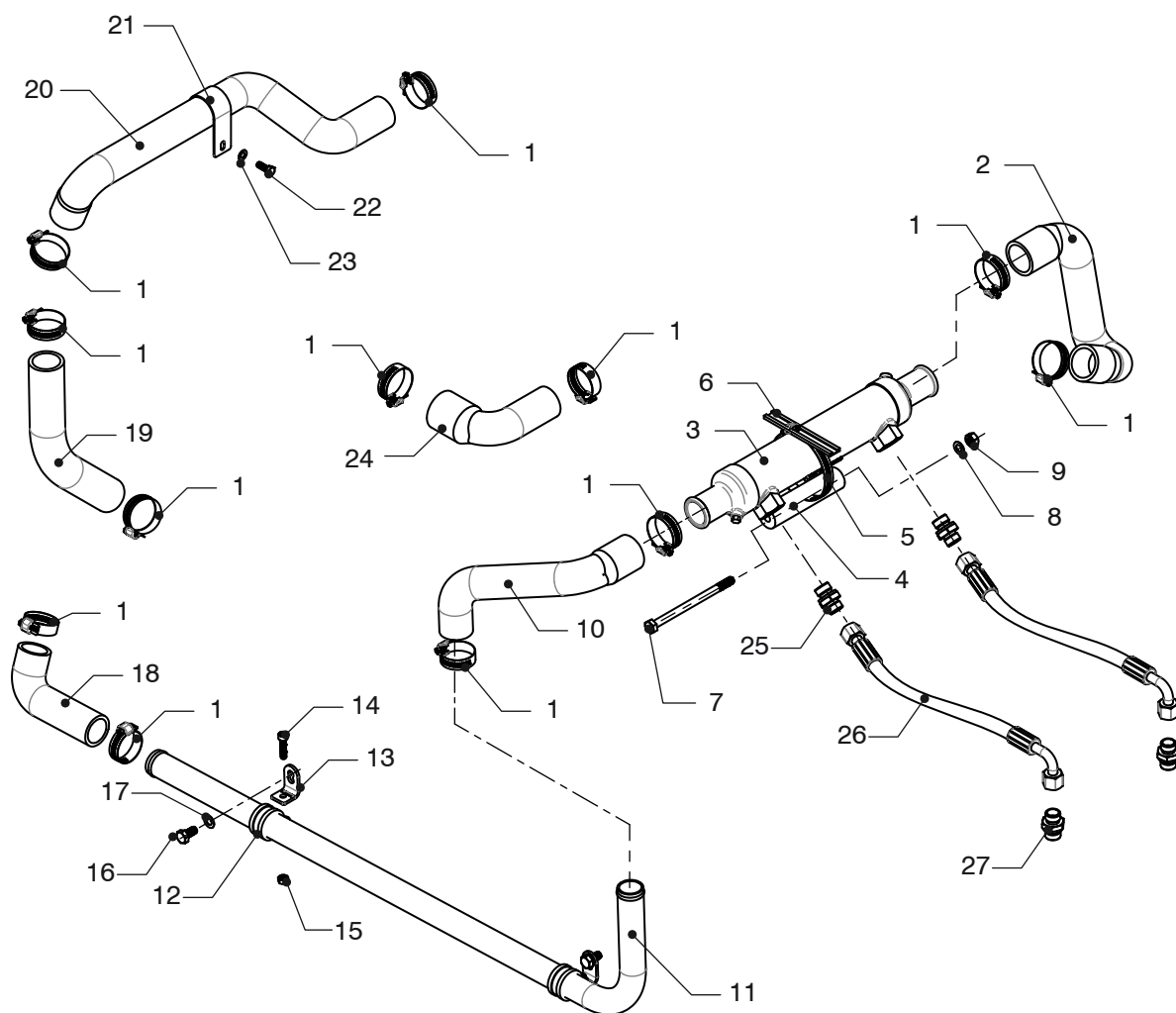
VD4.120

VD4.140

Buitenwater koelsysteem

Raw water cooling system

pos.	qty	part	benaming	description
17	1	R085Y	Gegolfde veerring M8	Wave spring washer M8
18	1	08-00042	Slang	Hose
19	1	16-4809	Slang	Hose
20	1	16-4812	Slang	Hose
21	1	16-4806	Klem	Clamp
22	1	B06165YT	Zeskantbout M6x16	Hex head bolt M6x16
23	1	B065Y	Gegolfde veerring M6	Wave spring washer M6
24	1	16-4924	Slang	Hose
25	2	HT5033	Nippel 3/8"-M16	Nipple 3/8"-M16
	2	CT30112	Nippel G1/2 - M16 PRM750-1000	Nipple G1/2 - M16 PRM750-1000
26	2	CT50080	Olieslang l=350	Oil hose l=350
	2	CT50079	Olieslang l=550 PRM750-1000	Oil hose l=550 PRM750-1000
27	2	17-10327	Nippel 3/8"-M16	Nipple 3/8"-M16



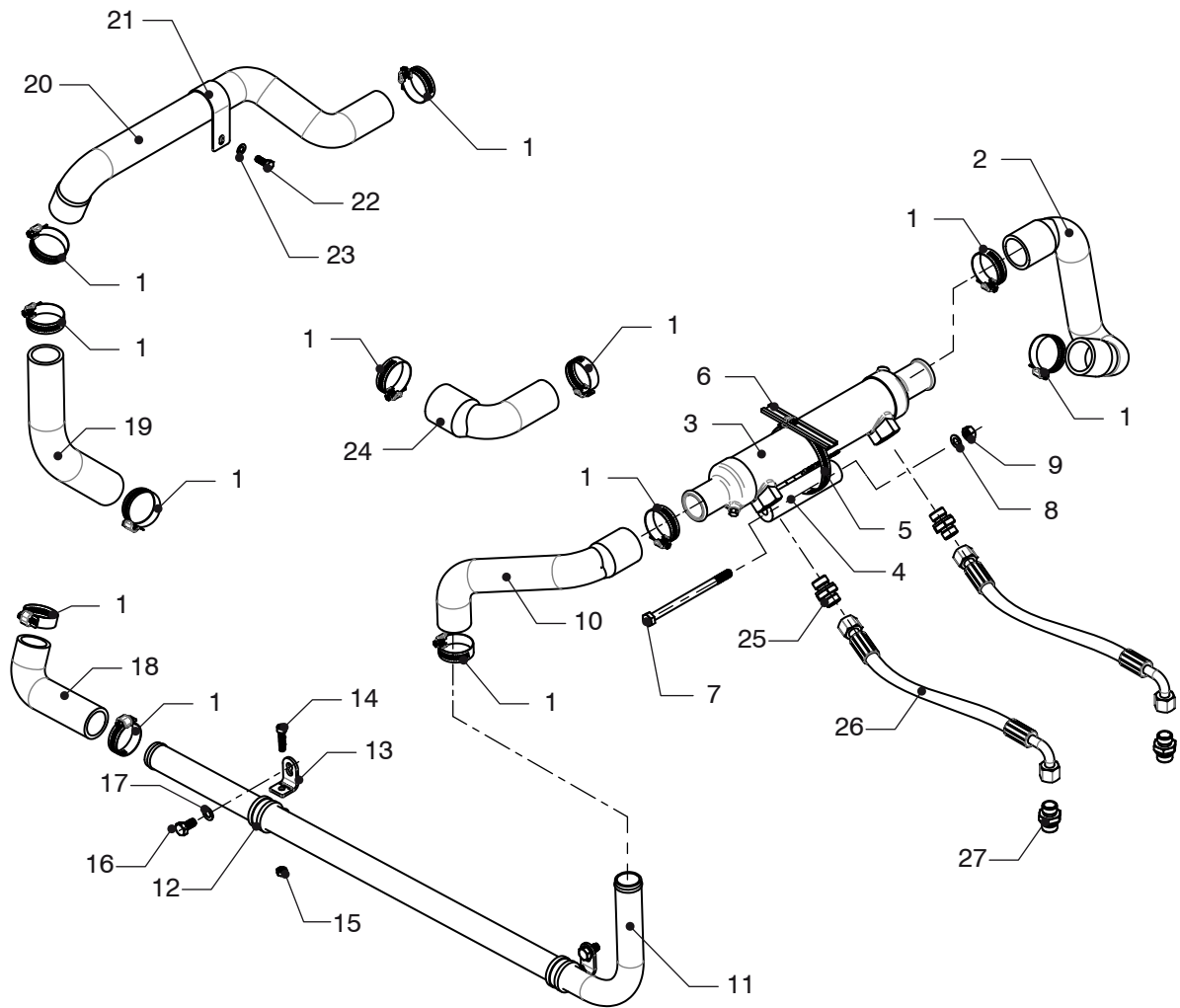
VD6.170

VD6.210

Buitenwater koelsysteem

Raw water cooling system

pos.	qty	part	benaming	description
1	12	SLKL25	Slangklem	Hose clamp
2	1	16-3572	Slang	Hose
3	1	16-3565	Oliekoeler 9,5"-Ø51-G3/8-32 ZF	Oil cooler 9.5"-Ø51-G3/8-32 ZF
	1	19-18076	Oliekoeler 12"-Ø75-G1/2-Ø42 PRM750-1000	Oil cooler 12"-Ø75-G1/2-Ø42 PRM750-1000
4	1	16-3579	Bus l=105	Bush l=105
5	1	SLKL60	Slangklem	Hose clamp
6	1	PC-P12NB	Afschermrubber	Protection gum
7	1	B081205Y	Zeskantbout M8x120	Hex head bolt M8x120
8	1	R085Y	Gegolfde veerring M8	Wave spring washer M8
9	1	M08Y	Moer M8	Nut M8
10	1	16-3571	Slang	Hose
11	1	16-3347	Pijp	Tube
12	2	16-4713	Klem Ø27	Clamp Ø27
13	2	16-4712	Steun	Bracket
14	2	B06257Y	Inbusbout M6x25	Allen bolt M6x25
15	2	M06Y	Moer M6	Nut M6
16	2	B08165YT	Zeskantbout M8x16	Hex head bolt M8x16



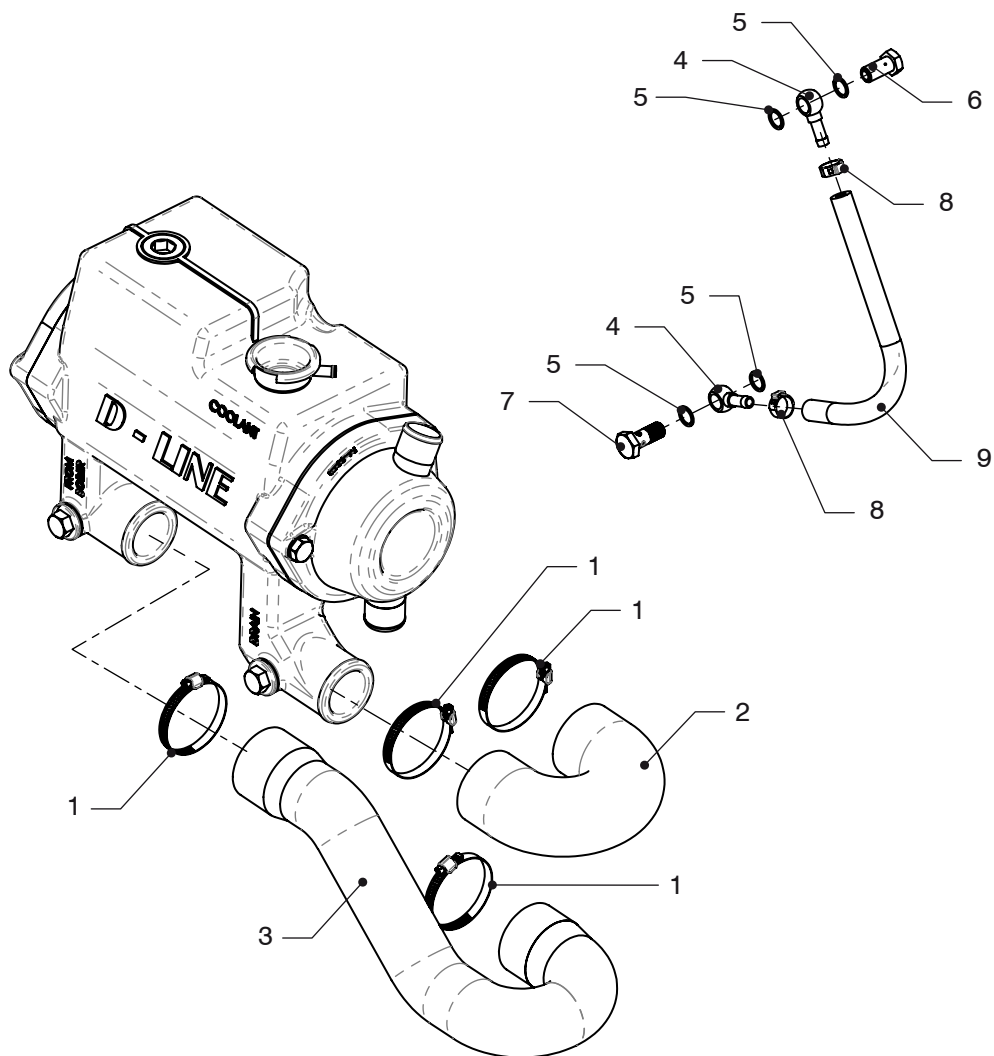
VD6.170

VD6.210

Buitenwater koelsysteem

Raw water cooling system

pos.	qty	part	benaming	description
17	1	R085Y	Gegolfde veerring M8	Wave spring washer M8
18	1	08-00042	Slang	Hose
19	1	16-3356	Slang	Hose
20	1	16-3368	Slang	Hose
21	1	16-4806	Klem	Clamp
22	1	B06165YT	Zeskantbout M6x16	Hex head bolt M6x16
23	1	B065Y	Gegolfde veerring M6	Wave spring washer M6
24	1	16-4565	Slang	Hose
25	2	HT5033	Nippel 3/8"-M16	Nipple 3/8"-M16
	2	CT30112	Nippel G1/2 - M16 PRM750-1000	Nipple G1/2 - M16 PRM750-1000
26	2	CT50080	Olieslang l=350	Oil hose l=350
	2	CT50079	Olieslang l=550 PRM750-1000	Oil hose l=550 PRM750-1000
27	2	17-10327	Nippel 3/8"-M16	Nipple 3/8"-M16



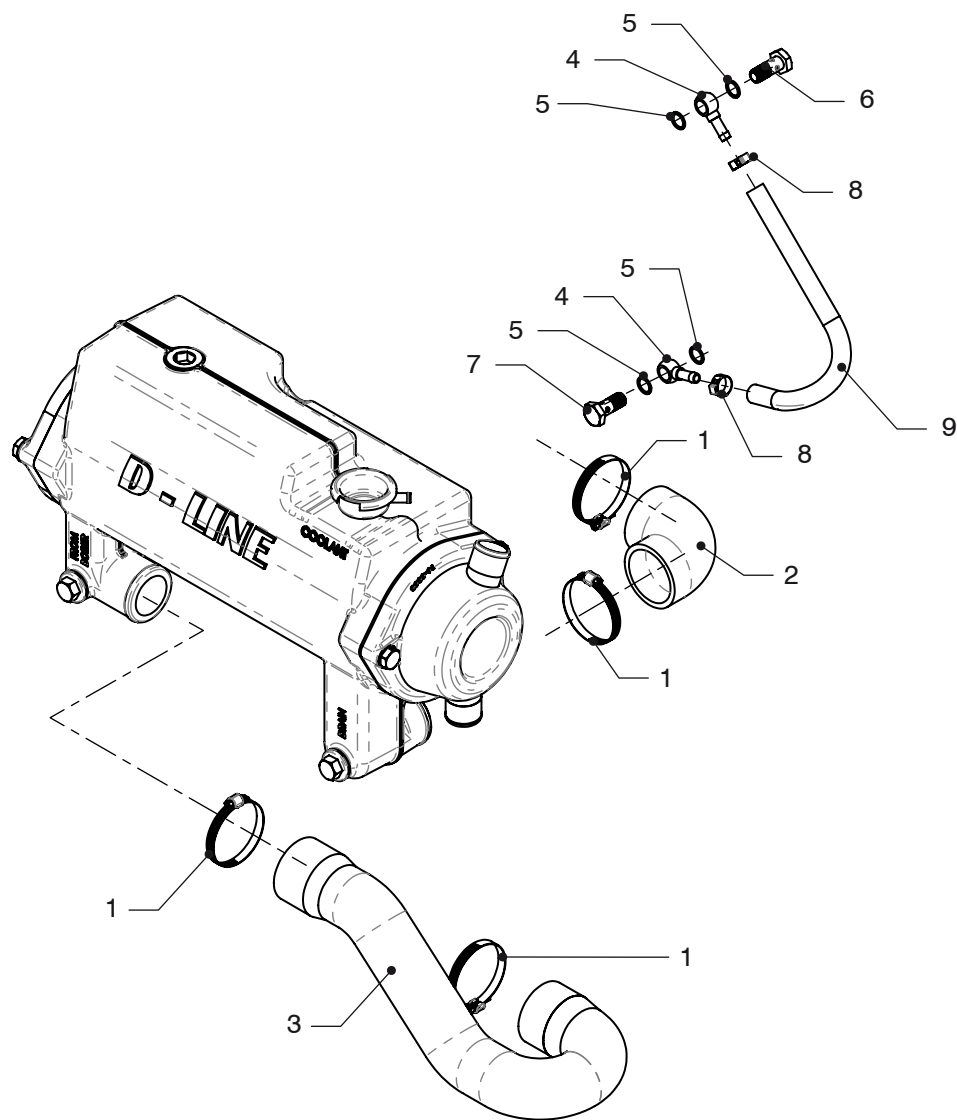
VD4.120

VD4.140

Intern koelsysteem

Internal cooling system

pos.	qty	part	benaming	description
1	4	STM3006	Slangklem 50-70	Hose clamp 50-70
2	1	16-4801	Slang	Hose
3	1	16-3338	Slang	Hose
4	2	STM9262	Banjo-oog 12-Ø8	Banjo-eye 12-Ø8
5	4	STM7056	Afdichtring M12	Seal washer M12
6	1	16-5600	Ontluchttings banjo-bout M12x1,75	Bleeding banjo-bolt M12x1,75
7	1	STM9675	Banjo-bout M12x1,5	Banjo-bolt M12x1,5
8	2	STM6185	Klem	Clamp
9	1	17-7565	Slang Ø8 l=260mm	Hose Ø8 l=260



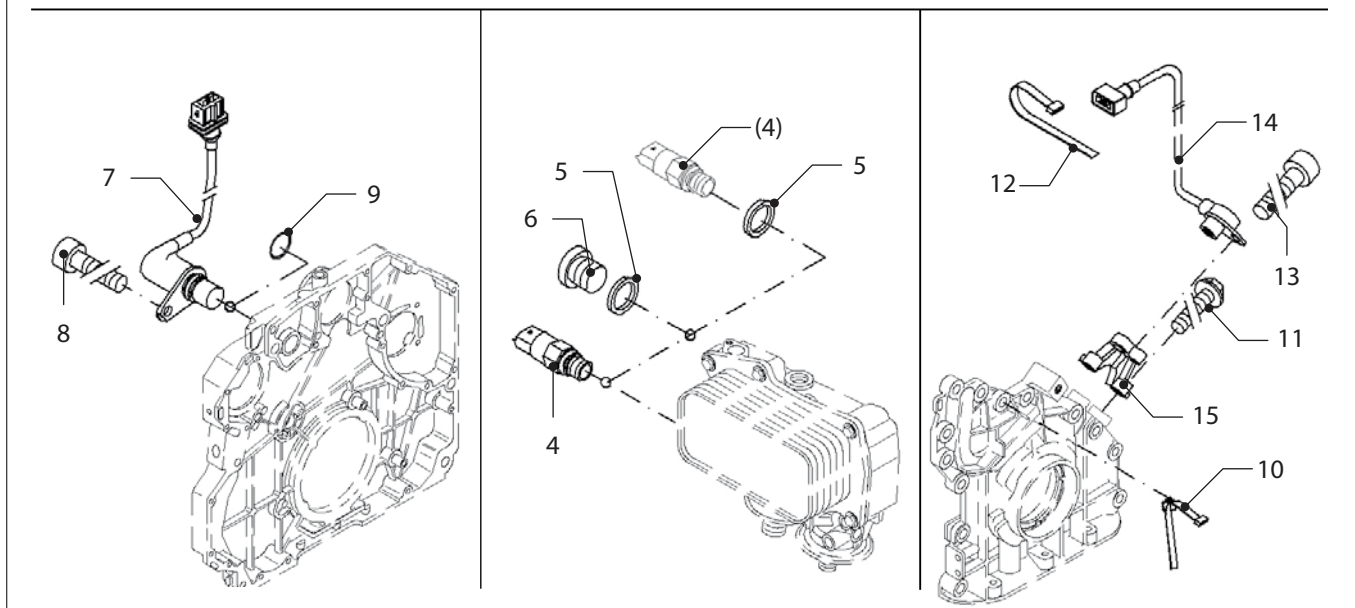
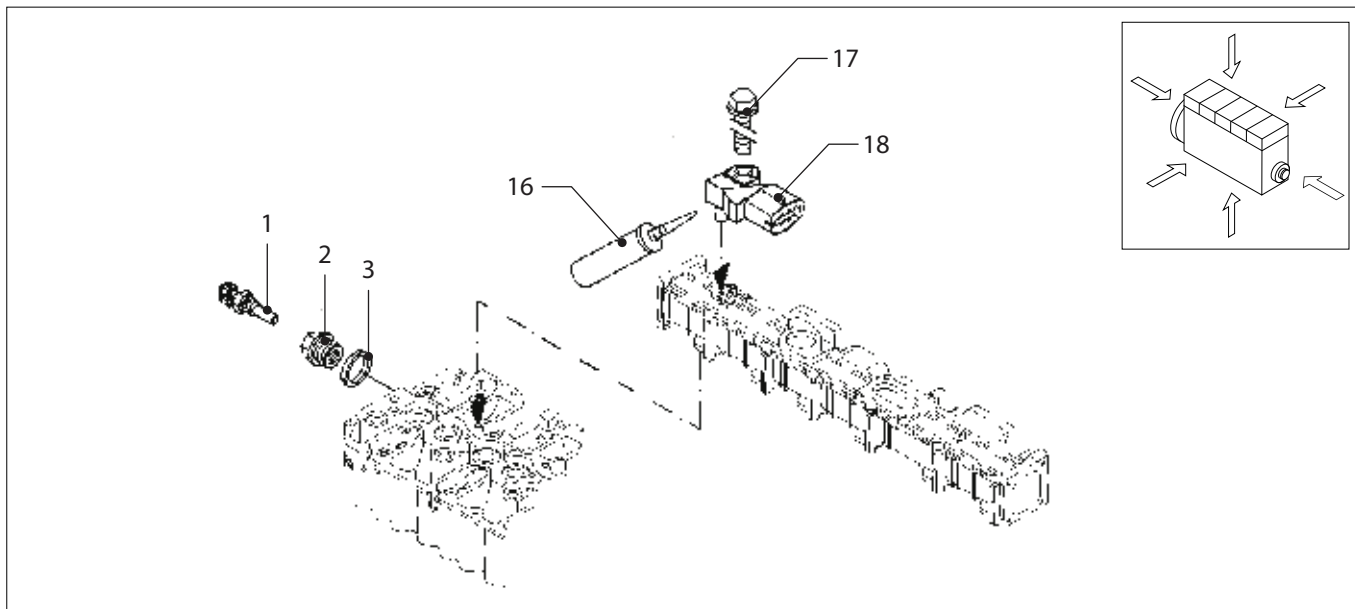
VD6.170

VD6.210

Intern koelsysteem

Internal cooling system

pos.	qty	part	benaming	description
1	4	STM3006	Slangklem 50-70	Hose clamp 50-70
2	1	16-3340	Slang	Hose
3	1	16-3338	Slang	Hose
4	2	STM9262	Banjo-oog 12-Ø8	Banjo-eye 12-Ø8
5	4	STM7056	Afdichtring M12	Seal washer M12
6	1	16-5600	Ontluchttings banjo-bout M12x1,75	Bleeding banjo-bolt M12x1,75
7	1	STM9675	Banjo-bout M12x1,5	Banjo-bolt M12x1,5
8	2	STM6185	Klem	Clamp
9	1	16-6077	Slang Ø8 l=275mm	Hose Ø8 l=275



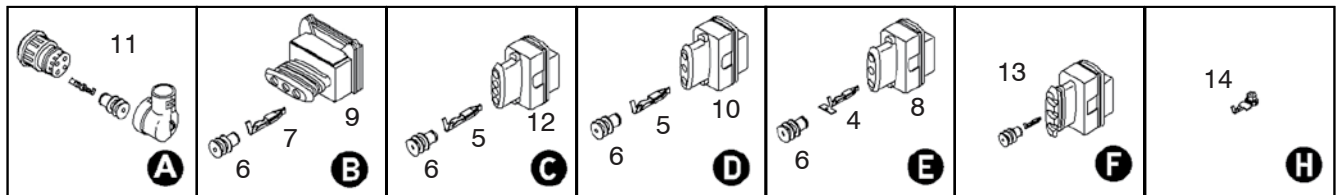
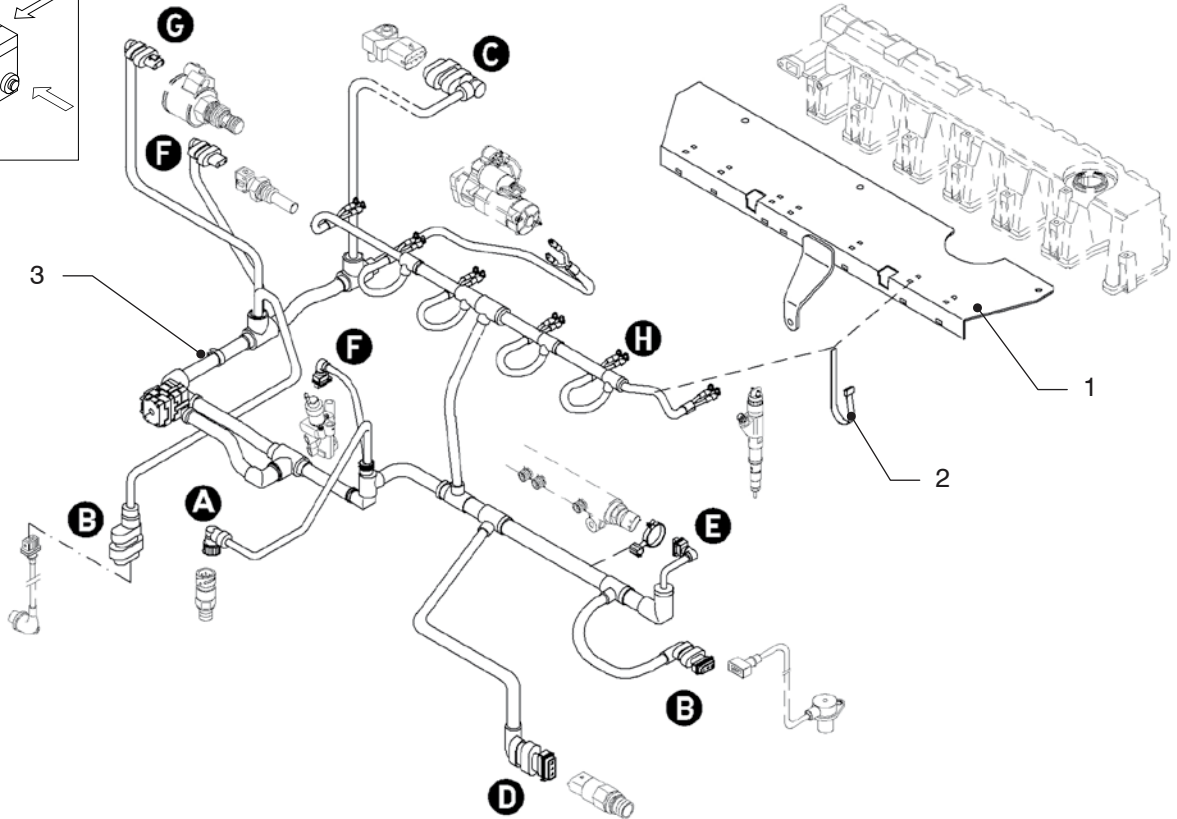
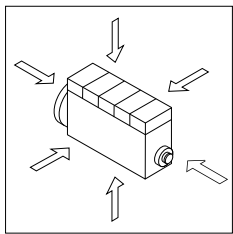
VD4.120
VD6.170

VD4.140
VD6.210

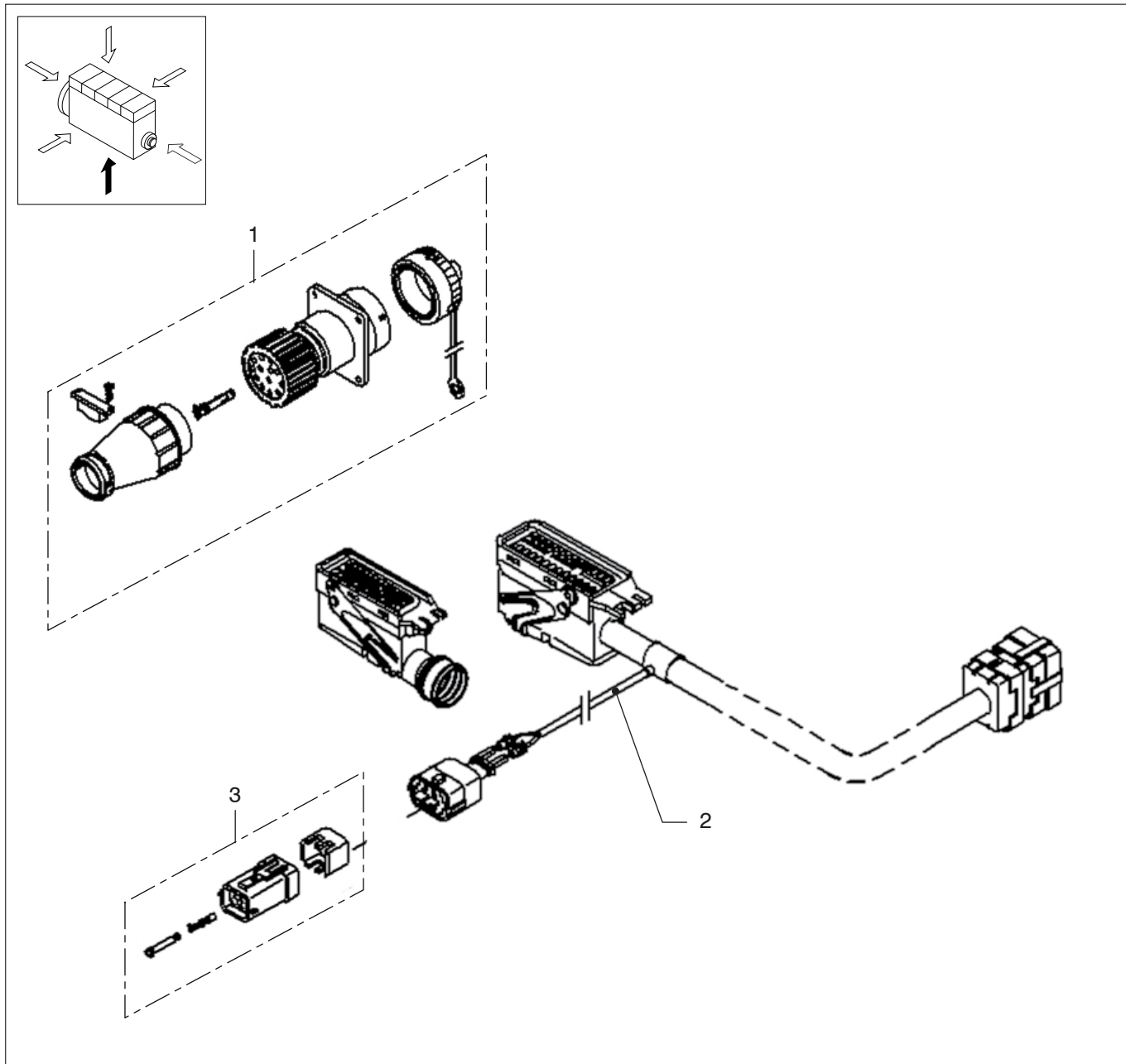
Elektrische uitrusting

Electrical equipment

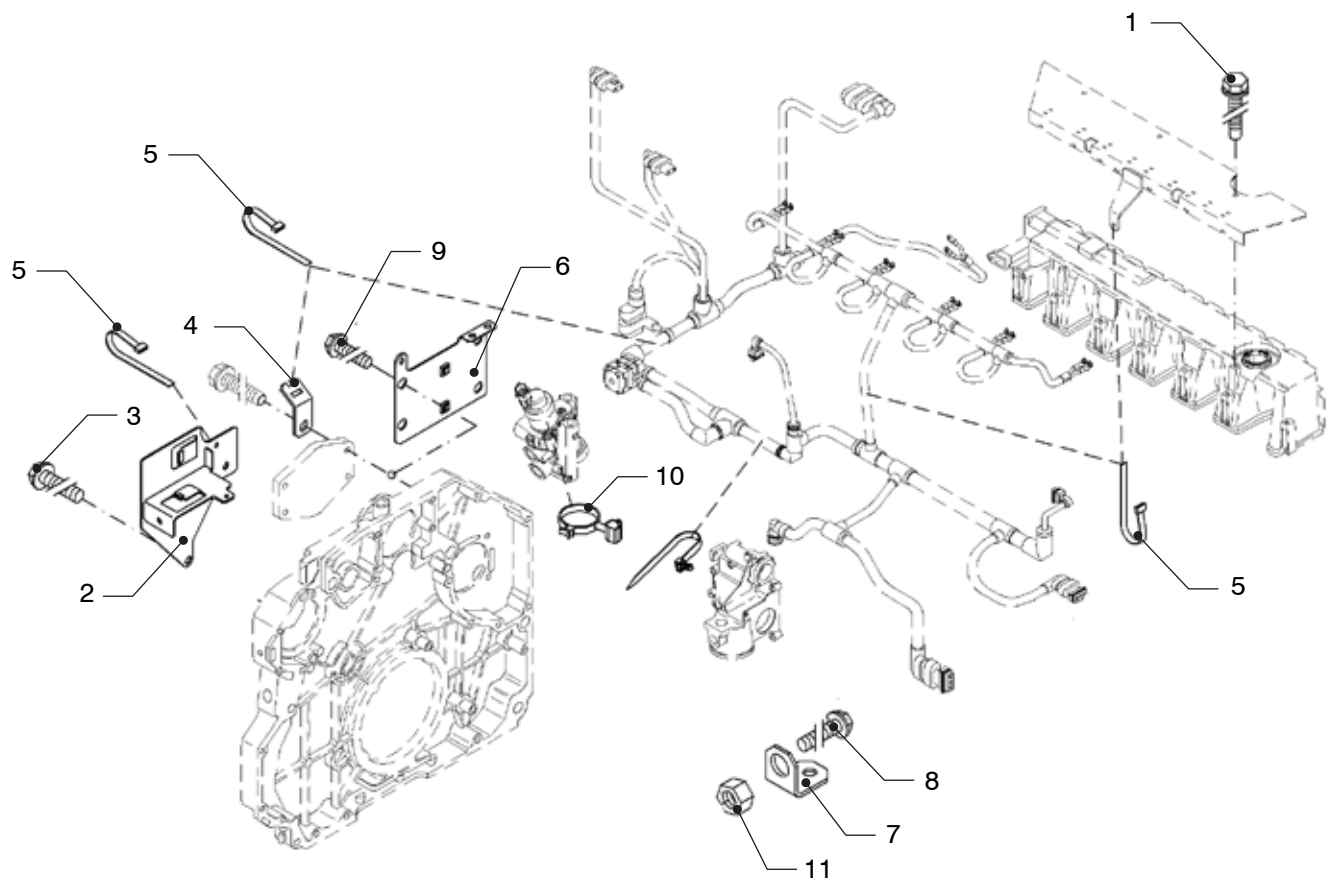
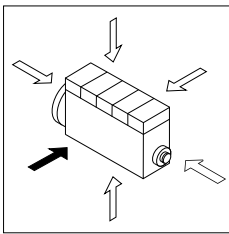
pos.	qty	part	benaming	description	
1	1	DZ48001	Temperatuur zender	Temperature sensor	
2	1	DZ48003	Verloopnippel	Adapter nipple	
3	1	DZ48004	Afdichtring	Sealing ring	
4	1	DZ48005	Drukzender	Pressure sensor	
5	1	DZ48006	Afdichtring	VD4	Sealing ring VD4
6	1	DZ48007	Plug	VD4	Screw plug VD4
7	1	DZ48020	Toerental sensor	RPM sensor	
8	1	DZ48022	Inbusbout	Allen bolt	
9	1	DZ48025	O-Ring	O-seal	
10	1	DZ48029	Klemband	Clamping band	
11	2	DZ48035	Zeskantbout	Hexagon bolt	
12	1	DZ48036	Klemband	Clamping band	
13	1	DZ48037	Klemband	Clamping band	
14	1	DZ48038	Toerental sensor	RPM sensor	
15	1	DZ48039	Beugel	Bracket	
16	1	DZ48040	Montagepasta	VD6	Mounting device VD6
17	1	DZ48041	Zeskantbout	VD6	Hexagon bolt VD6
18	1	DZ48042	Drukzender	VD6	Pressure sensor VD6



VD4.120 VD6.170		VD4.140 VD6.210	Draadboom	Cable harness	
pos.	qty	part	benaming	description	
1	1	DZ48010	Afdekplaat		Cover plate
2	7	DZ48016	Klemband		Clamping band
3	1	DZ48051	Motorbedrading	VD4	Engine wiring loom
	1	DZ48050	Motorbedrading	VD6	Engine wiring loom
4	5	DZ48052	Plug		Jack
5	9	DZ48053	Plug		Jack
6	20	DZ48054	Pakking		Gasket
7	6	DZ48056	Plug		Jack
8	1	DZ48058	Behuizing		Housing
9	2	DZ48059	Behuizing		Housing
10	1	DZ48060	Behuizing		Housing
11	1	DZ48061	Plug-in connector		Plug-in connector
12	1	DZ48062	Behuizing		Housing
13	2	DZ48063	Plug-in connector		Plug-in connector
14	8	DZ48145	Kabelschoen	VD4	Cable lug
	12	DZ48145	Kabelschoen	VD6	Cable lug



		VD4.120 VD6.170	VD4.140 VD6.210	Bedrading ECU	Wiring ECU
pos.	qty	part	benaming	description	
1	1	DZ48072	Plug-in connector	Plug-in connector	
2	1	DZ48049	Tussenkabel 2,5 m	Interconnecting cable 2,5m	
3	1	DZ47098	Plug-in connector	Plug-in connector	



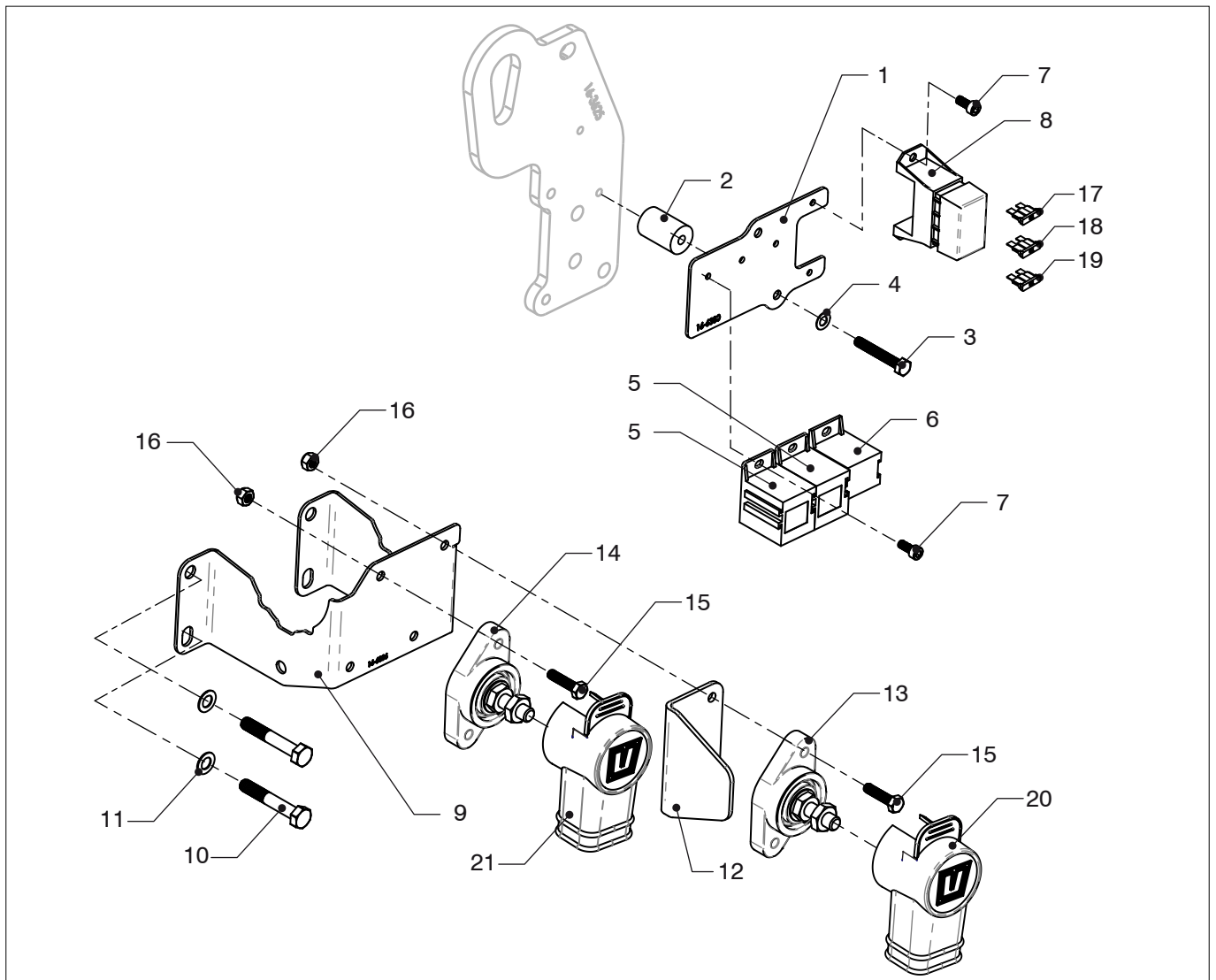
VD4.120
VD6.170

VD4.140
VD6.210

Motorbedrading

Engine wiring

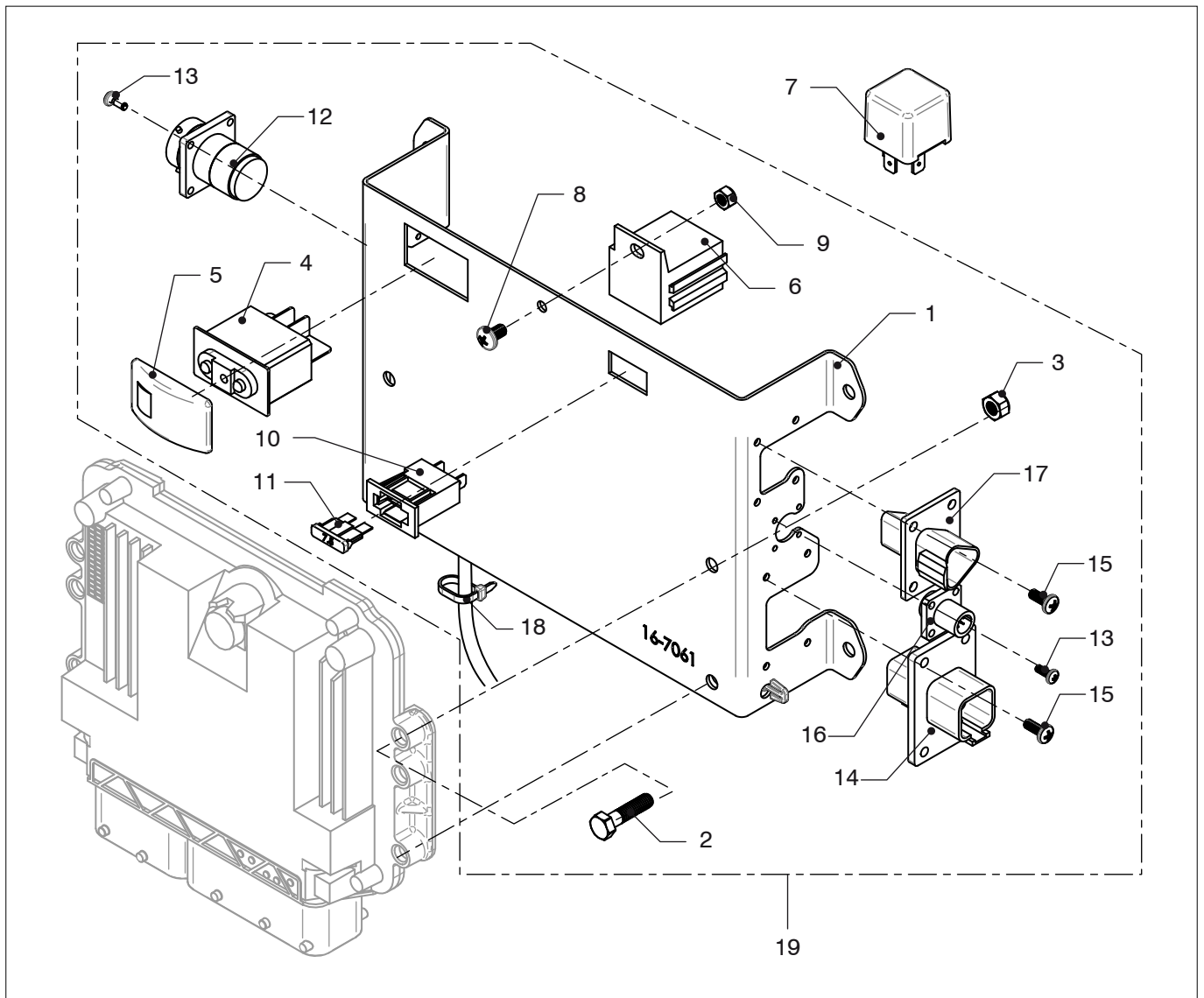
pos.	qty	part	benaming		description		
1	2	DZ48021	Zeskantbout	VD4	Hexagon bolt	VD4	
		3	DZ48021	Zeskantbout	VD6	Hexagon bolt	VD6
2	1	DZ48082	Beugel		Bracket		
3	6	DZ48085	Zeskantbout	VD4	Hexagon bolt	VD4	
		2	DZ48085	Zeskantbout	VD6	Hexagon bolt	VD6
4	1	DZ48086	Beugel	VD4	Bracket	VD4	
5	7	DZ48087	Klemband	VD4	Clamping band	VD4	
		10	DZ48087	Klemband	VD6	Clamping band	VD6
6	1	DZ48089	Montageplaat		Retaining plate		
7	1	DZ48090	Beugel	VD6	Bracket	VD6	
8	1	DZ48091	Zeskantbout	VD6	Hexagon bolt	VD6	
9	6	DZ48092	Zeskantbout		Hexagon bolt		
10	2	DZ48141	Klemband	VD4	Clamping band	VD4	
11	1	DZ48144	Zeskantmoer	VD6	Hexagon nut	VD6	



VD4.120 **VD4.140** **Bedradings assy**
VD6.170 **VD6.210**

Wiring assy

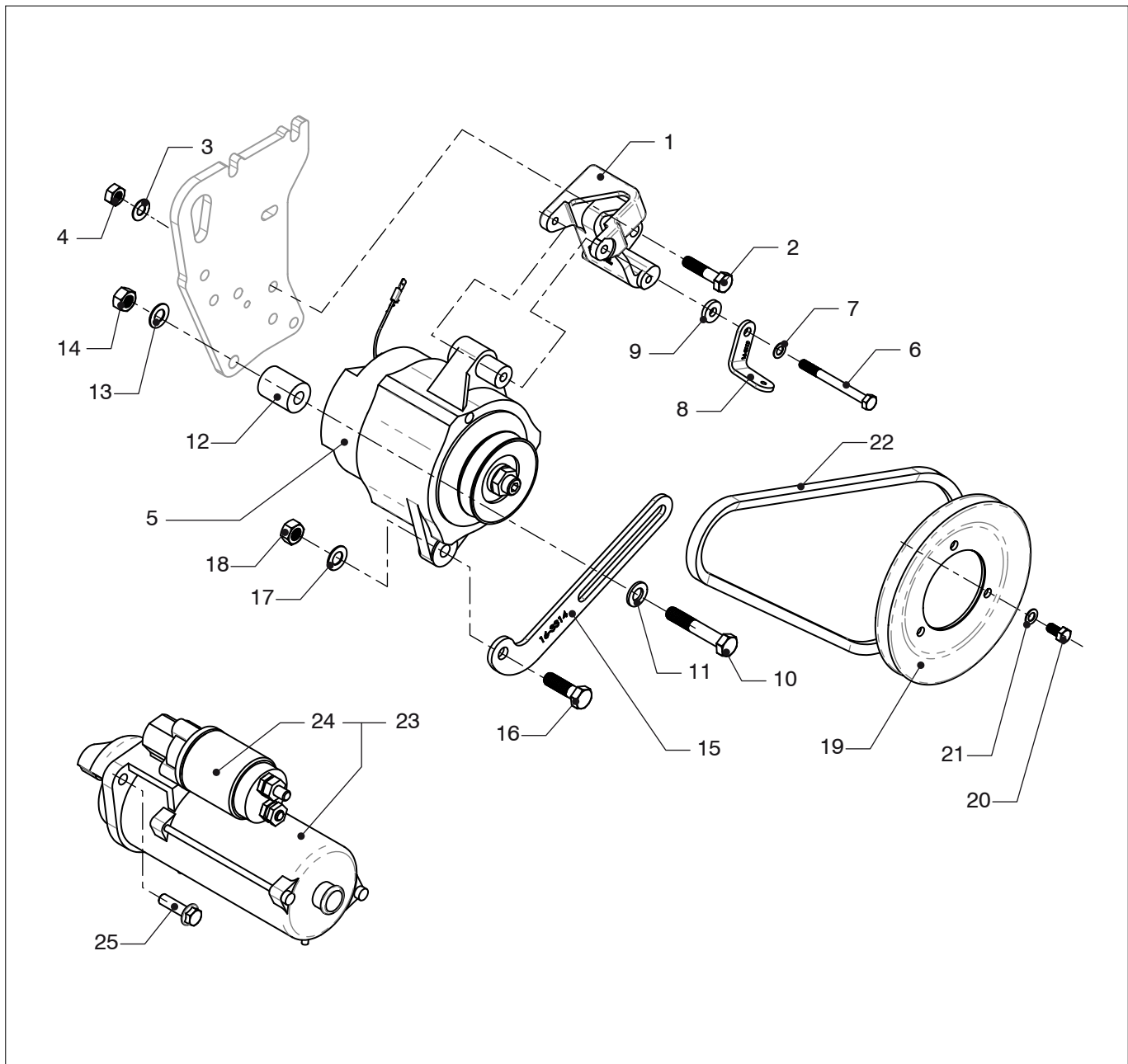
pos.	qty	part	benaming	description
1	1	16-6380	Relais steun	Relay bracket
2	2	16-6394	Bus l=30	Bush l=30
3	2	B06405YT	Zeskantbout M6x40	Hex head bolt M6x40
4	2	R065Y	Gegolfde veerring M6	Wave spring washer M6
5	2	STM8228	Relaishouder 70A	Relay foot 70A
6	1	STM9052	Relaishouder 30A	Relay foot 30A
7	5	B05127Y	Inbusbout M5x12	Allen bolt M5x12
8	1	16-5892	Zekeringhouder	Fuse holder
9	1	16-6836	Steun	Bracket
10	4	B08505Y	Zeskantbout M8x50	Hex head bolt M8x50
11	4	R085Y	Gegolfde veerring M8	Wave spring washer M8
12	1	16-6869	Isolatieplaat	Isolation plate
13	1	16-6878	Terminal 3/8"-16 zwart	Power stud 3/8"-16 black
14	1	16-6864	Terminal 3/8"-16 rood	Power stud 3/8"-16 red
15	4	B06257Y	Inbusbout M6x25	Allen bolt M6x25
16	4	M06127Y	Zelfborgende moer M6	Nyloc nut M6
17	1	BFUSE03	Steekzekering 3A (starten)	Blade fuse 3A (start)
18	1	BFUSE25	Steekzekering 25A (el.olieaftappomp)	Blade fuse 25A (Electric oil pump)
19	1	BFUSE10	Steekzekering 10A (EMR)	Blade fuse 10A (EMR)
20	1	19-16625	Isolatie kap zwart	Isolation cap black
21	1	19-16600	Isolatie kap rood	Isolation cap red



VD4.120 VD4.140 Engine Control Unit assy
VD6.170 VD6.210

Engine Control Unit assy

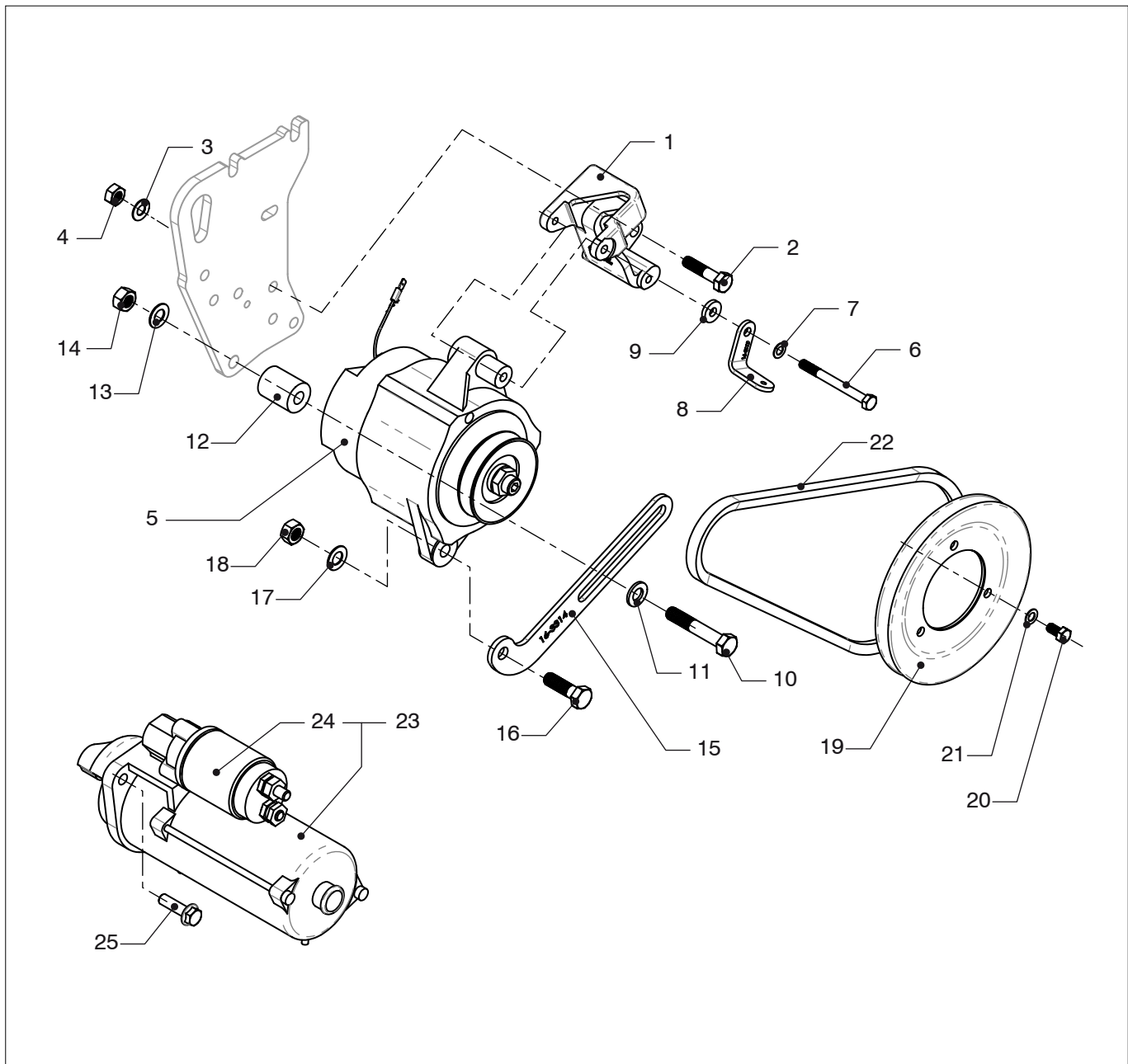
pos.	qty	part	benaming	description
1	1	16-7061	Steun	Bracket
2	4	B06255R	Zeskantbout M6x25	Hex head bolt M6x25
3	4	M06BR	Zelfborgende moer M6	Nyloc nut M6
4	1	17-8504	Schakelaar	Switch
5	1	17-8637	Kap	Cap
6	1	STM9052	Relaishouder	Relay foot
7	1	STM9050	Relais 12V	Relay 12V
	1	STM8295	Relais 24V	Relay 24V
8	1	B05083RK	Schroef M5x8	Screw M5x8
9	1	M05BR	Zelfborgende moer M5	Nyloc nut M5
10	1	BP255	Zekeringhouder	Fuse holder
11	1	BFUSE07	ATO steekzekering 7,5A	ATO fuse 7,5A
12	1	16-7242	Stekkerbus (diagnose)	Pin jack (diagnose)
13	8	B03083RK	Schroef M3x8	Screw M3x8
14	1	16-7220	Stekkerbus (can)	Pin jack (can)
15	8	B04103RK	Schroef M4x10	Screw M4x10
16	1	16-7219	Stekkerbus (paneel)	Pin jack (panel)
17	1	16-7217	Stekkerbus (gashandel)	Pin jack (throttle)
18	1	17-9689	Kabelbinder	Cable tie
19	1	16-7210	Assy (exclusief ECU en relais)	Assy (exclucive ECU and relay)



VD4.120 **VD4.140** **Dynamo 12V-160A 1p**
VD6.170 **VD6.210**

Alternator 12V-160A 1p

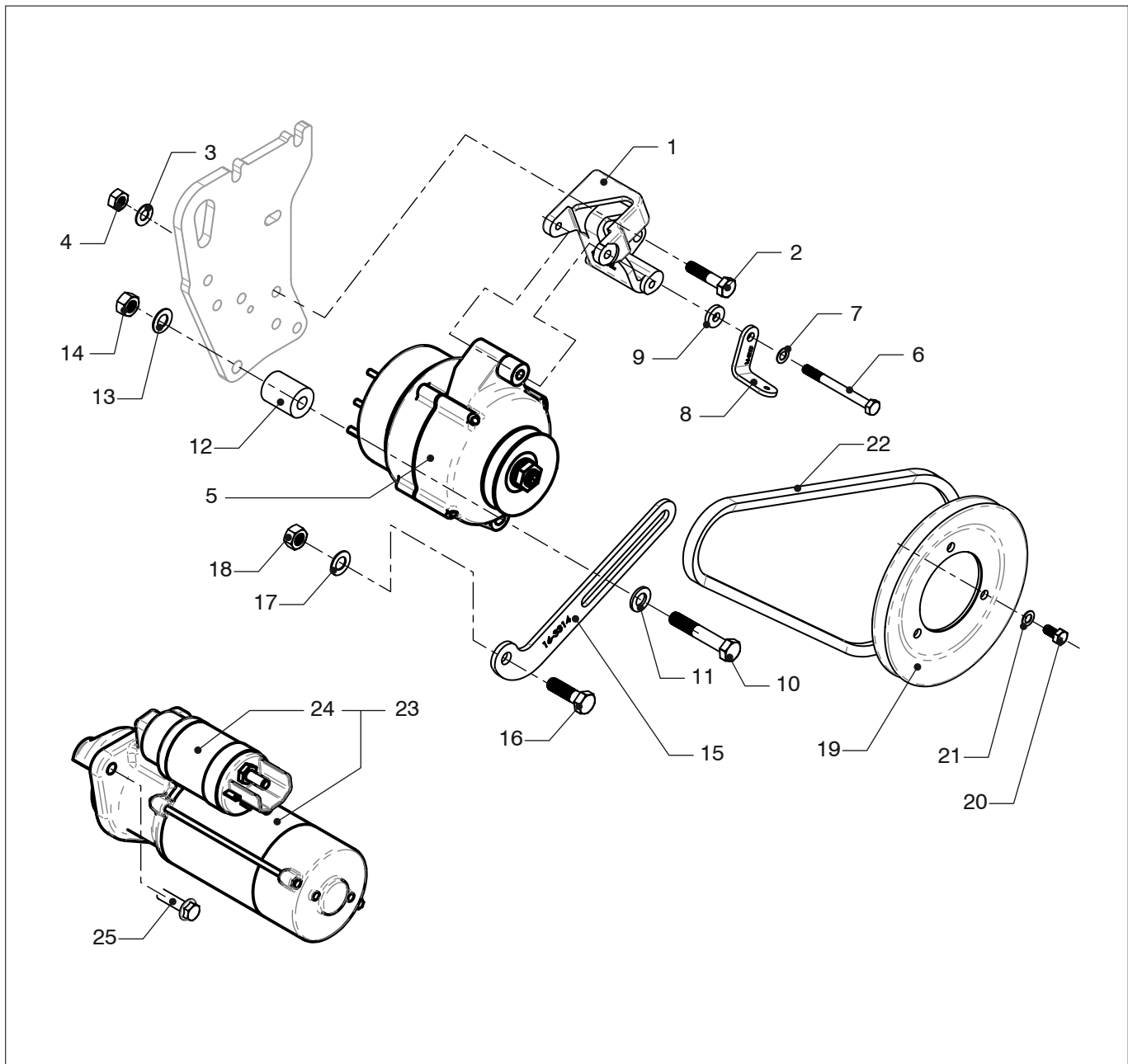
pos.	qty	part	benaming	description
1	1	16-5573	Steun	Support
2	3	B10455Y	Zeskantbout M10x45	Hex head bolt M10x45
3	3	R105Y	Gegolfde veerring M10	Wave spring washer M10
4	3	M10Y	Moer M10	Nut M10
5	1	16-3259	Dynamo 12V-160A 1p	Alternator 12V-160A 1p
6	1	B08855Y	Zeskantbout M8x85	Hex head bolt M8x85
7	1	R085Y	Gegolfde veerring M5	Wave spring washer M5
8	1	16-5929	Steun	Bracket
9	1	CT30059	Ring d=4	Washer d=4
10	1	B12705Y	Zeskantbout M12x70	Hex head bolt M12x70
11	1	STM3258	Ring d=3	Washer d=3
12	1	16-3315	Bus l=38	Bush l=38
13	1	R125Y	Gegolfde veerring M12	Wave spring washer M12
14	1	M12Y	Moer M12	Nut M12
15	1	16-3314	Spansteun	Tensioner bracket
16	1	B12405Y	Zeskantbout M12x40	Hex head bolt M12x40



VD4.120 **VD4.140** **Dynamo 12V-160A 1p**
VD6.170 **VD6.210**

Alternator 12V-160A 1p

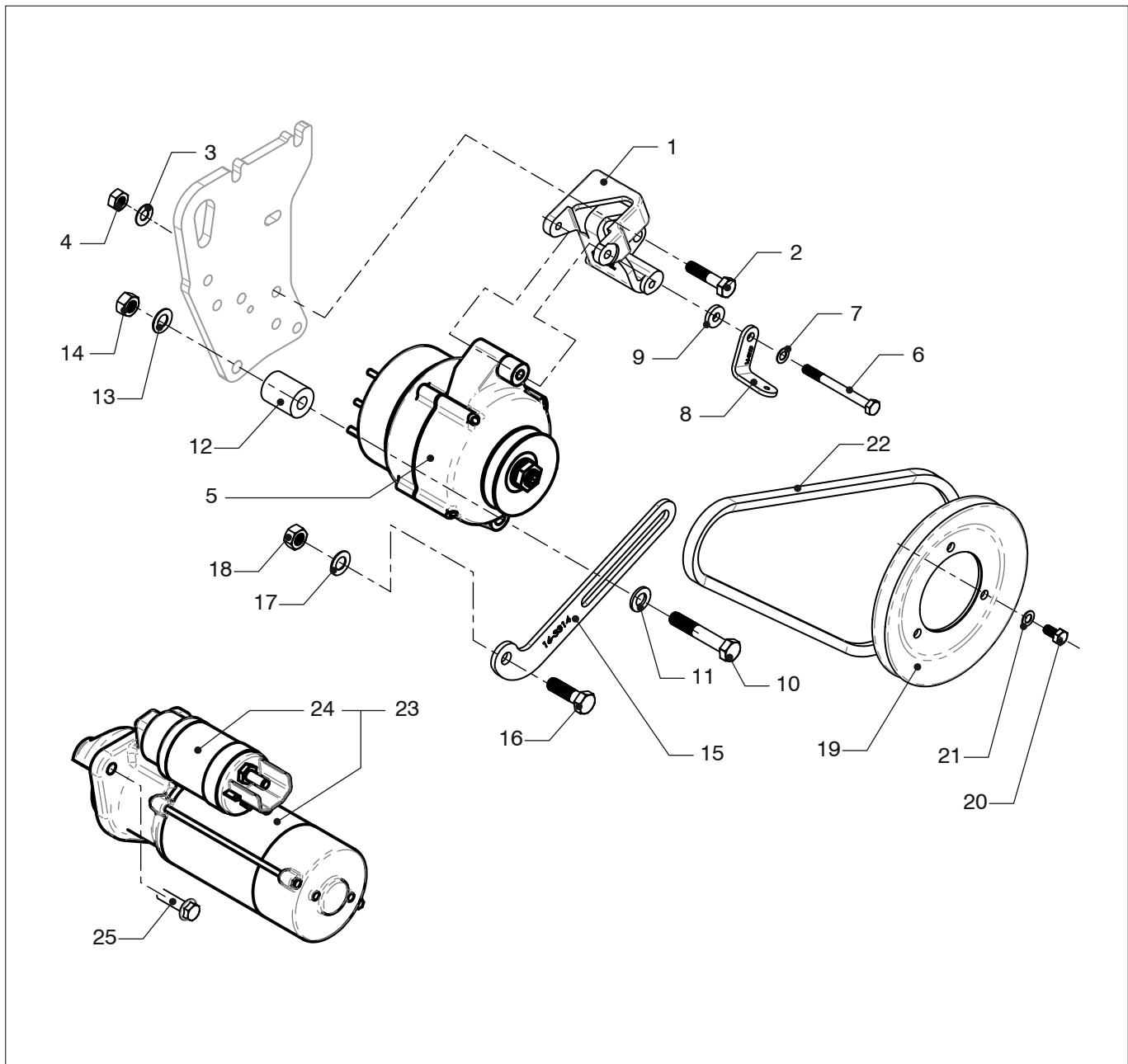
pos.	qty	part	benaming	description
17	1	R125Y	Gegolfde veerring M12	Wave spring washer M12
18	1	M12Y	Moer M12	Nut M12
19	1	18-15643	Snaarschijf	Pulley
20	3	B08165YT	Zeskantbout M8x16	Hex head bolt M8x16
21	3	R085Y	Gegolfde veerring M8	Wave spring washer M8
22	1	16-4258	SK V-snaar AVX13La 925	SK V-belt AVX13La 925
23	1	STM8652	Startmotor 12V-1p	Starter motor 12V-1p
24	1	STM9758	Relais	Relay
25	3	B1035RIPPB	Zeskantborgbout M10x35	Hex.locking bolt M10x35



VD4.120 **VD4.140** **Dynamo 24V-60A 1p**
VD6.170 **VD6.210**

Alternator 24V-60A 1p

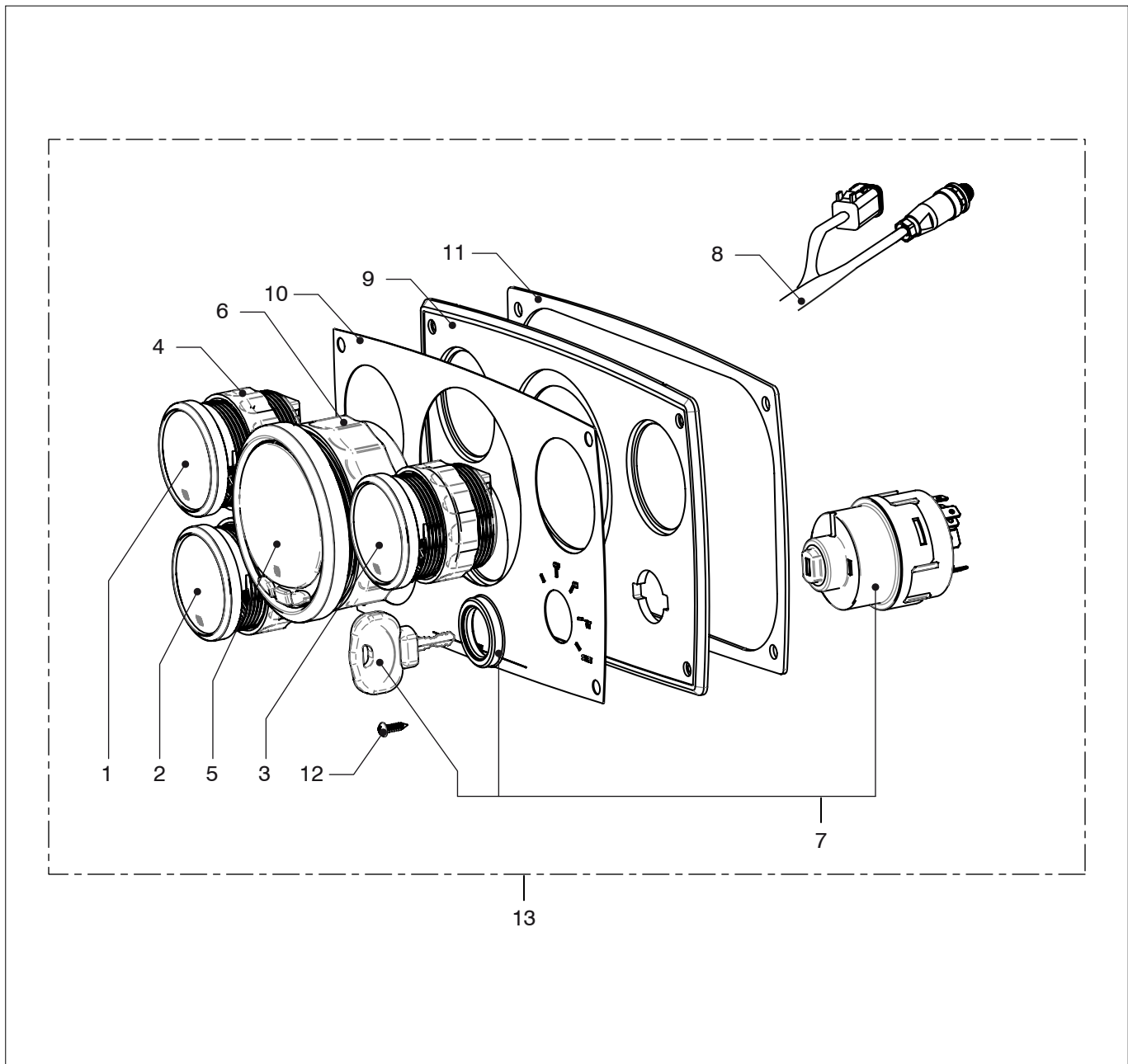
pos.	qty	part	benaming	description
1	1	16-5573	Steun	Support
2	3	B10455Y	Zeskantbout M10x45	Hex head bolt M10x45
3	3	R105Y	Gegolfde veerring M10	Wave spring washer M10
4	3	M10Y	Moer M10	Nut M10
5	1	17-9889	Dynamo 24V-60A 1p	Alternator 24V-60A 1p
6	1	B08855Y	Zeskantbout M8x85	Hex head bolt M8x85
7	1	R085Y	Gegolfde veerring M5	Wave spring washer M5
8	1	16-5929	Steun	Bracket
9	1	CT30059	Ring d=4	Washer d=4
10	1	B12705Y	Zeskantbout M12x70	Hex head bolt M12x70
11	1	STM3258	Ring d=3	Washer d=3
12	1	17-9893	Bus l=52	Bush l=52
13	1	R125Y	Gegolfde veerring M12	Wave spring washer M12
14	1	M12Y	Moer M12	Nut M12
15	1	16-3314	Spansteun	Tensioner bracket
16	1	B12505Y	Zeskantbout M12x50	Hex head bolt M12x50



VD4.120 **VD4.140** **Dynamo 24V-60A 1p**
VD6.170 **VD6.210**

Alternator 24V-60A 1p

pos.	qty	part	benaming	description
17	1	R125Y	Gegolfde veerring M12	Wave spring washer M12
18	1	M12Y	Moer M12	Nut M12
19	1	18-15643	Snaarschijf	Pulley
20	3	B08165YT	Zeskantbout M8x16	Hex head bolt M8x16
21	3	R085Y	Gegolfde veerring M8	Wave spring washer M8
22	1	16-4258	SK V-snaar AV13La 925	SK V-belt AV13La 925
23	1	STM8654	Startmotor 24V-1p	Starter motor 24V-1p
24	1	STM9761	Relais	Relay
25	3	B1035RIPPB	Zeskantborgbout M10x35	Hex.locking bolt M10x35

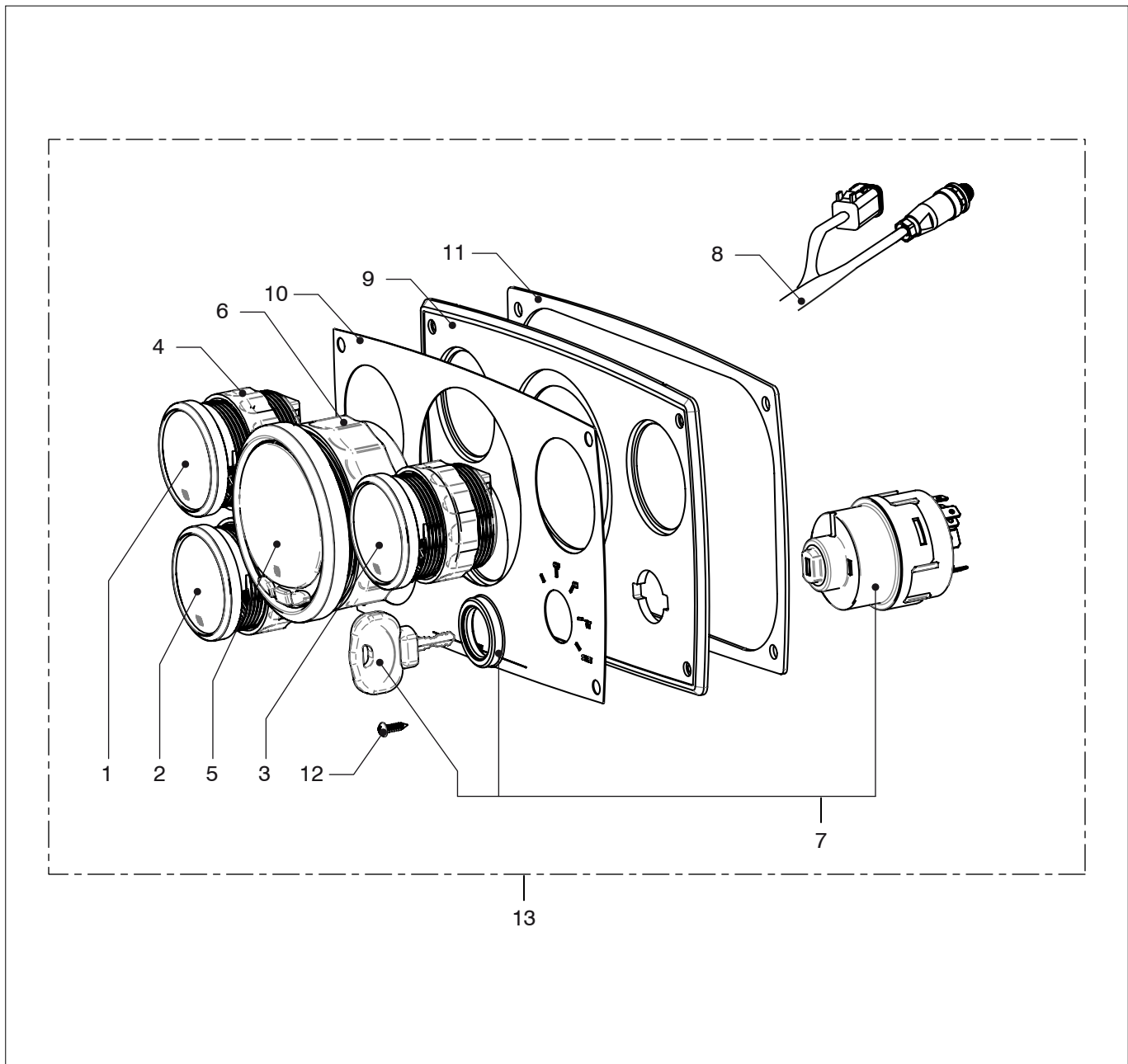


VD4.120 **VD4.140**
VD6.170 **VD6.210**

Instrumenten paneel 12V

Instrument panel 12V

pos.	qty	part	benaming	description
1	1	JYN00007	Water temperatuurmeter 40-120	Water temperature gauge 40-120
2	1	JYN00008	Oliedrukmeter 0-10	Oil pressure gauge 0-10
3	1	JYN00009	Voltmeter 18-32	Voltmeter 18-32
4	3	JYP0071	Bevestigingsring Ø52	Fastening ring Ø52
5	1	JYN00010	Tachometer 5KL	Tachometer 5KL
6	1	JYP0003	Bevestigingsring Ø85	Fastening ring Ø85
7	1	JXE00130	Contactsloot + sleutel	Key switch + key
8	1	JX200041	Bedrading	Wiring
9	1	JXM00032	Aluminium plaat	Aluminum plate
10	1	JXP00605	Folie	Overlay
11	1	JXP00606	Afdichting	Seal
12	1	JXM00033	Plaatschroef 3,5x13	Screw 3,5x13
13	1	MPA34CANBS2	Instrumenten paneel 12V compleet	Instrument panel 12V cpl.

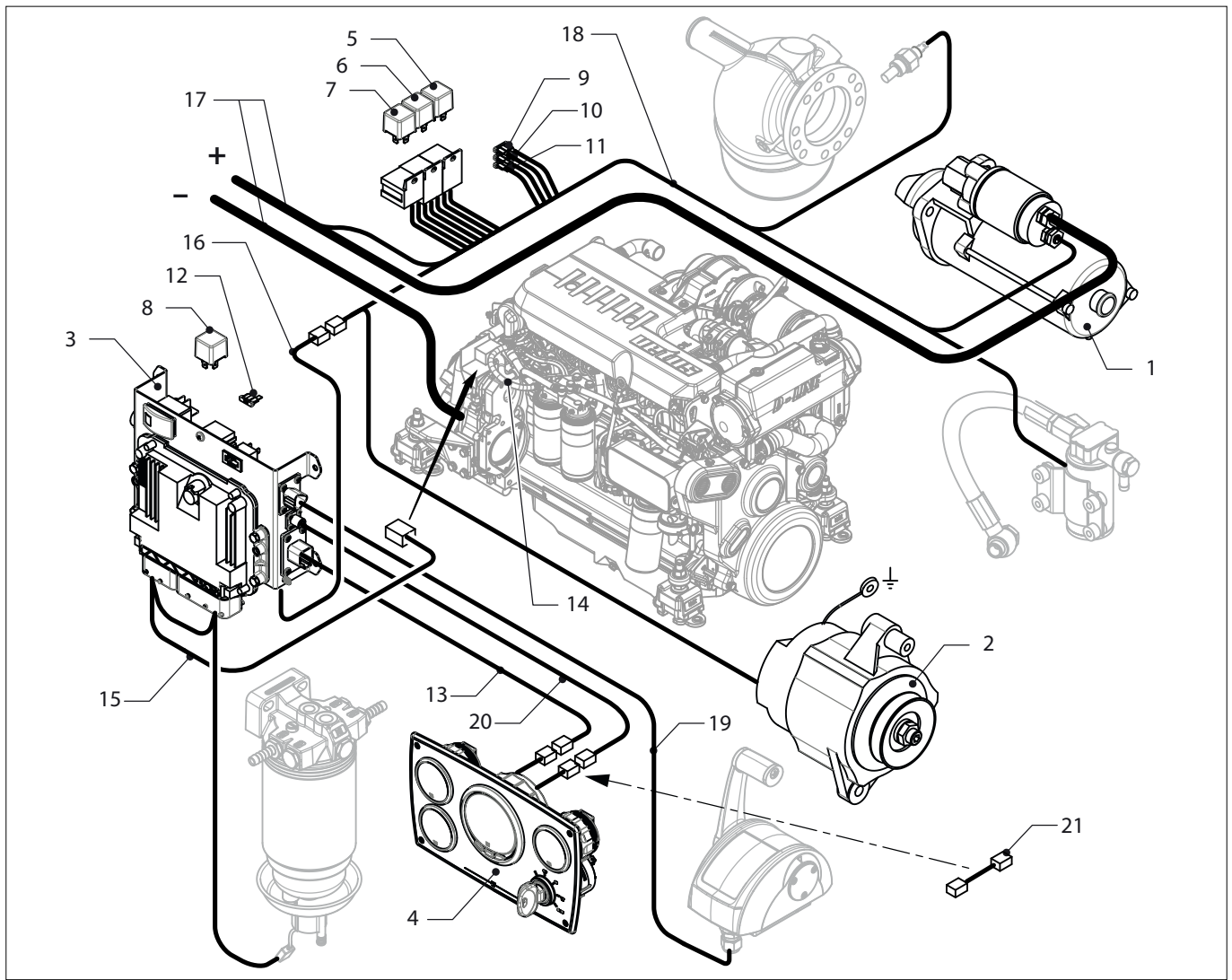


VD4.120 **VD4.140**
VD6.170 **VD6.210**

Instrumenten paneel 24V

Instrument panel 24V

pos.	qty	part	benaming	description
1	1	JYN00007	Water temperatuurmeter 40-120	Water temperature gauge 40-120
2	1	JYN00008	Oliedrukmeter 0-10	Oil pressure gauge 0-10
3	1	JYN00013	Voltmeter 18-32	Voltmeter 18-32
4	3	JYP0071	Bevestigingsring Ø52	Fastening ring Ø52
5	1	JYN00010	Tachometer 5KL	Tachometer 5KL
6	1	JYP0003	Bevestigingsring Ø85	Fastening ring Ø85
7	1	JXE00130	Contactsloot + sleutel	Key switch + key
8	1	JX200041	Bedrading	Wiring
9	1	JXM00032	Aluminium plaat	Aluminum plate
10	1	JXP00605	Folie	Overlay
11	1	JXP00606	Afdichting	Seal
12	1	JXM00033	Plaatschroef 3,5x13	Screw 3,5x13
13	1	MPA34CANBS4	Instrumenten paneel 24V compleet	Instrument panel 24V cpl.

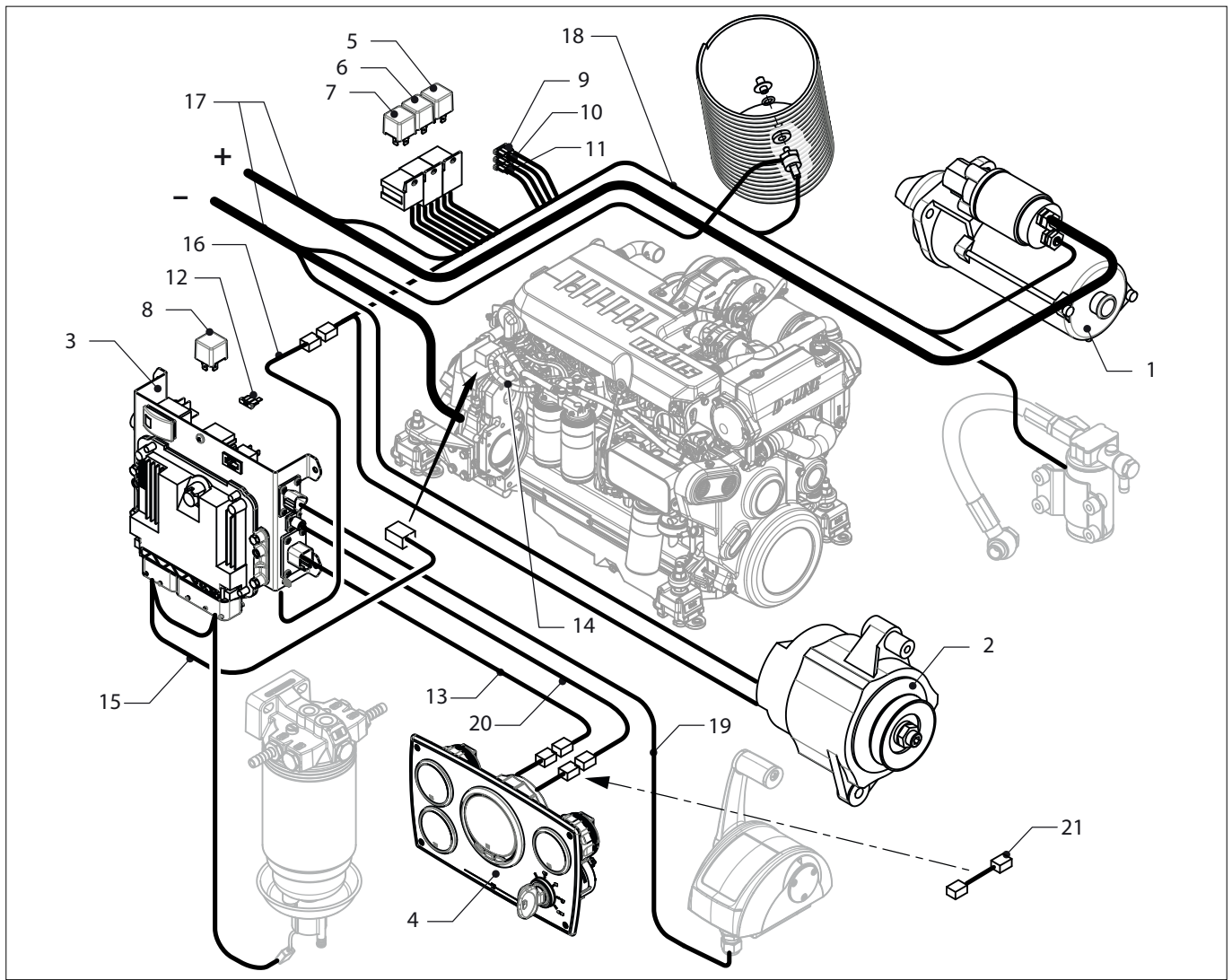


VD4.120 VD4.140
VD6.170 VD6.210

Motorbedrading 12V-1p

Engine wiring 12V-1p

pos.	qty	part	benaming	description
1	1	STM8652	Startmotor 12V-1p	Starter 12V-1p
2	1	16-3259	Dynamo 12V-160A 1p	Alternator 12V-160A 1p
3	1	16-7210	Steun (exclusief EMR en relais)	Bracket (ex. EMR and relais)
4	1	MPA34CANBS2	Instrumenten paneel 12V	Instrument panel 12V
5	1	STM9043	Startrelais 12V-70A	Start relay 12V-70A
6	1	STM9043	EMR relais 12V-70A	EMR relay 12V-70A
7	1	STM9050	El. olieaftappomp relais 12V-30/40A	Electric oil pump relay 12V-30/40A
8	1	STM9050	Diagnose / CAN relais 12V-30/40A	Diagnos / CAN relay 12V-30/40A
9	1	BFUSE03	Steekzekering 3A (starten)	Blade fuse 3A (start)
10	1	BFUSE25	Steekzekering 25A (El. oliepom)	Blade fuse 25A (Electric oil pump)
11	1	BFUSE10	Steekzekering 10A (EMR)	Blade fuse 10A (EMR)
12	1	BFUSE07	Steekzekering 7,5A (diagnose / CAN)	Blade fuse 7,5A (diagnos / CAN)
13	1	MPKA06	Kabel (EMR steun => paneel)	Cable 6mtr. (EMR bracket => panel)
14	1	DZ48051	Motorbedrading KHD VD4	Engine wiring loom KHD VD4
	1	DZ48050	Motorbedrading KHD VD6	Engine wiring loom KHD VD6
15	1	DZ48049-6	Verbindingskabel KHD (motor => EMR) VD6	Connection cable KHD (motor => EMR) VD6
16	1	16-6924	EMR bedrading	EMR wiring
17	1	16-6923M	Batterij bedrading standaard	Battery terminal wires standard
18	1	16-6923	Gebruiker motorbedrading	Customer motor wiring
19	1	EC3E3MD	Gaskabel bedrading 0,5-4,5V	Throttle wiring 0,5-4,5V
20	1	ECSBC05	CAN kabel 7,5mtr(EMR steun => paneel)	CAN cable 7,5mtr. (EMR bracket => panel)
21	1	ECSBCC	Verloopkabel	Gender changer

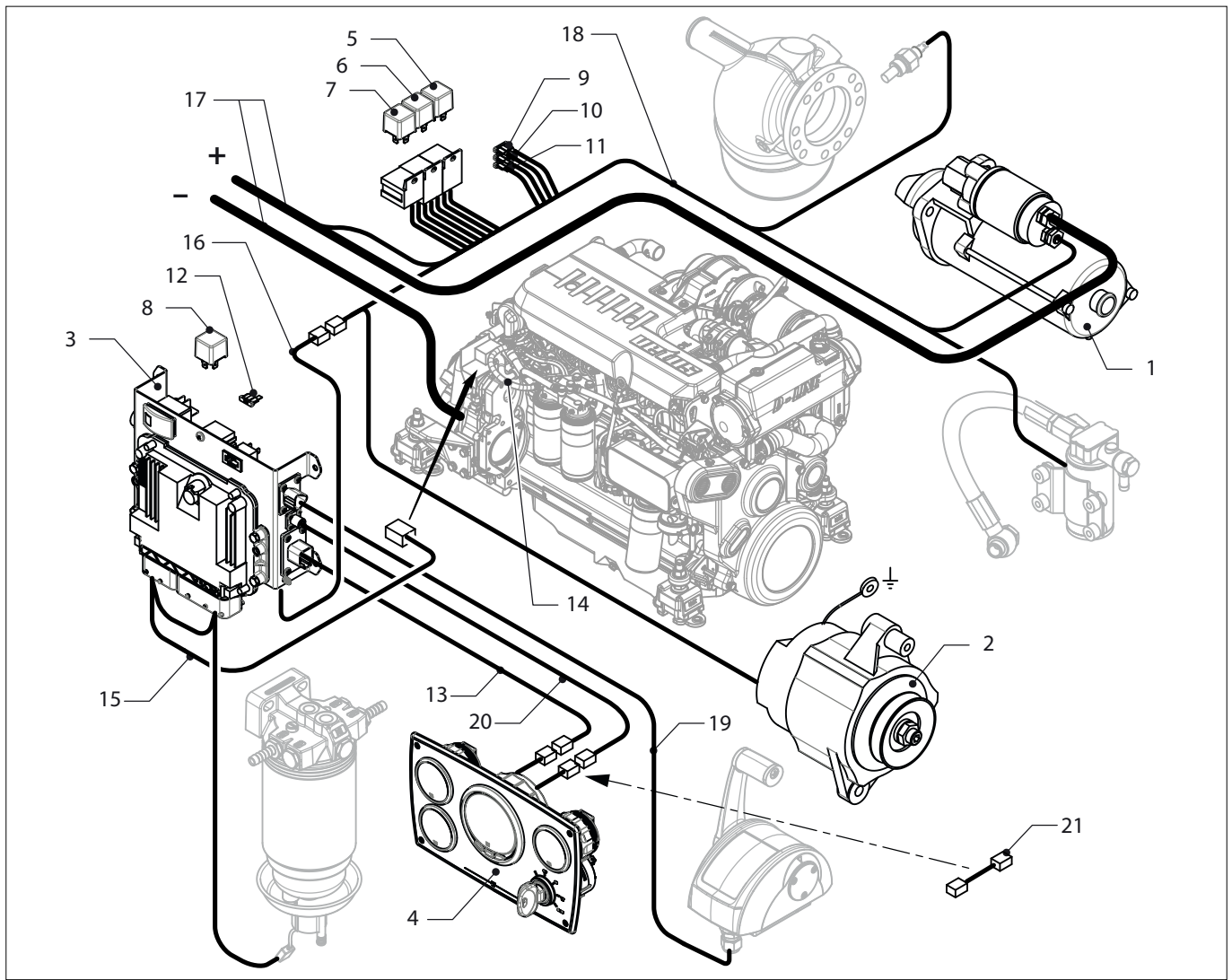


VD4.120 VD4.140
VD6.170 VD6.210

Motorbedrading 12V-2p

Engine wiring 12V-2p

pos.	qty	part	benaming	description
1	1	STM8653	Startmotor 12V-2p	Starter 12V-2p
2	1	17-13578	Dynamo 12V-160A 2p	Alternator 12V-160A 2p
3	1	16-7210	Steun (exclusief EMR en relais)	Bracket (ex. EMR and relais)
4	1	MPA34CANBS2	Instrumenten paneel 12V	Instrument panel 12V
5	1	STM9043	Startrelais 12V-70A	Start relay 12V-70A
6	1	STM9043	EMR relais 12V-70A	EMR relay 12V-70A
7	1	STM9050	El. olieaftappomp relais 12V-30/40A	Electric oil pump relay 12V-30/40A
8	1	STM9050	Diagnose / CAN relais 12V-30/40A	Diagnos / CAN relay 12V-30/40A
9	1	BFUSE03	Steekzekering 3A (starten)	Blade fuse 3A (start)
10	1	BFUSE25	Steekzekering 25A (El. olie pomp)	Blade fuse 25A (Electric oil pump)
11	1	BFUSE10	Steekzekering 10A (EMR)	Blade fuse 10A (EMR)
12	1	BFUSE07	Steekzekering 7,5A (diagnose / CAN)	Blade fuse 7,5A (diagnos / CAN)
13	1	MPKA06	Kabel (EMR steun => paneel)	Cable (EMR bracket => panel)
14	1	DZ48051	Motorbedrading KHD VD4	Engine wiring loom KHD VD4
	1	DZ48050	Motorbedrading KHD VD6	Engine wiring loom KHD VD6
15	1	DZ48049-6	Verbindingskabel KHD (motor => EMR) VD6	Connection cable KHD (motor => EMR) VD6
16	1	16-6924	EMR bedrading	EMR wiring
17	1	16-6923MV	Batterij bedrading standaard	Batt. wiring
18	1	16-6923	Gebruiker motorbedrading	Customer motor wiring
19	1	EC3E3MD	Gaskabel bedrading 0,5-4,5V	Throttle wiring 0,5-4,5V
20	1	ECSBC05	CAN kabel 7,5mtr(EMR steun => paneel)	CAN cable 7,5mtr. (EMR bracket => panel)
21	1	ECSBCC	Verloopkabel	Gender changer

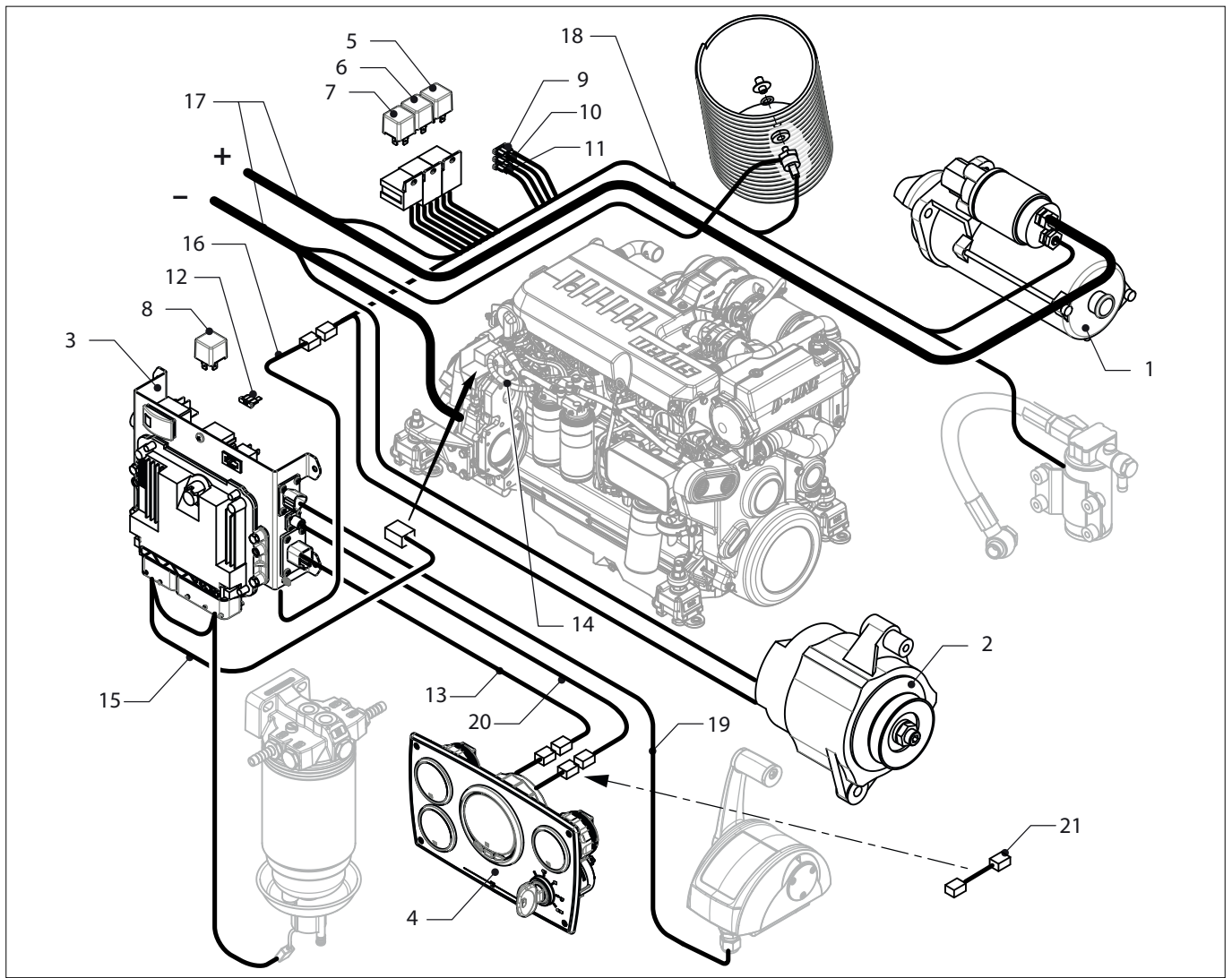


VD4.120 VD4.140
VD6.170 VD6.210

Motorbedrading 24V-1p

Engine wiring 24V-1p

pos.	qty	part	benaming	description
1	1	STM8654	Startmotor 24V-1p	Starter 24V-1p
2	1	17-9889	Dynamo 24V-60A 1p	Alternator 24V-60A 1p
3	1	16-7210	Steun (exclusief EMR en relais)	Bracket (ex. EMR and relais)
4	1	MPA34CANBS4	Instrumenten paneel 24V	Instrument panel 24V
5	1	STM8225	Startrelais 24V-40A	Start relay 24V-40A
6	1	STM8225	EMR relais 24V-40A	EMR relay 24V-40A
7	1	STM8295	El. olieaftappomp relais 24V-20A	Electric oil pump relay 24V-20A
8	1	STM8295	Diagnose / CAN relais 24V-20A	Diagnos / CAN relay 24V-20A
9	1	BFUSE03	Steekzekering 3A (starten)	Blade fuse 3A (start)
10	1	BFUSE25	Steekzekering 25A (El. olie pomp)	Blade fuse 25A (Electric oil pump)
11	1	BFUSE10	Steekzekering 10A (EMR)	Blade fuse 10A (EMR)
12	1	BFUSE07	Steekzekering 7,5A (diagnose / CAN)	Blade fuse 7,5A (diagnos / CAN)
13	1	MPKA06	Kabel (EMR steun => paneel)	Cable (EMR bracket => panel)
14	1	DZ48051	Motorbedrading KHD VD4	Engine wiring loom KHD VD4
	1	DZ48050	Motorbedrading KHD VD6	Engine wiring loom KHD VD6
15	1	DZ48049-6	Verbindingskabel KHD (motor => EMR) VD6	Connection cable KHD (motor => EMR) VD6
16	1	16-6924	EMR bedrading	EMR wiring
17	1	16-6923M	Batterij bedrading standaard	Battery terminal wires standard
18	1	16-6923	Gebruiker motorbedrading	Customer motor wiring
19	1	EC3E3MD	Gaskabel bedrading 0,5-4,5V	Throttle wiring 0,5-4,5V
20	1	ECSBC05	CAN kabel 7,5mtr(EMR steun => paneel)	CAN cable 7,5mtr. (EMR bracket => panel)
21	1	ECSBCC	Verloopkabel	Gender changer

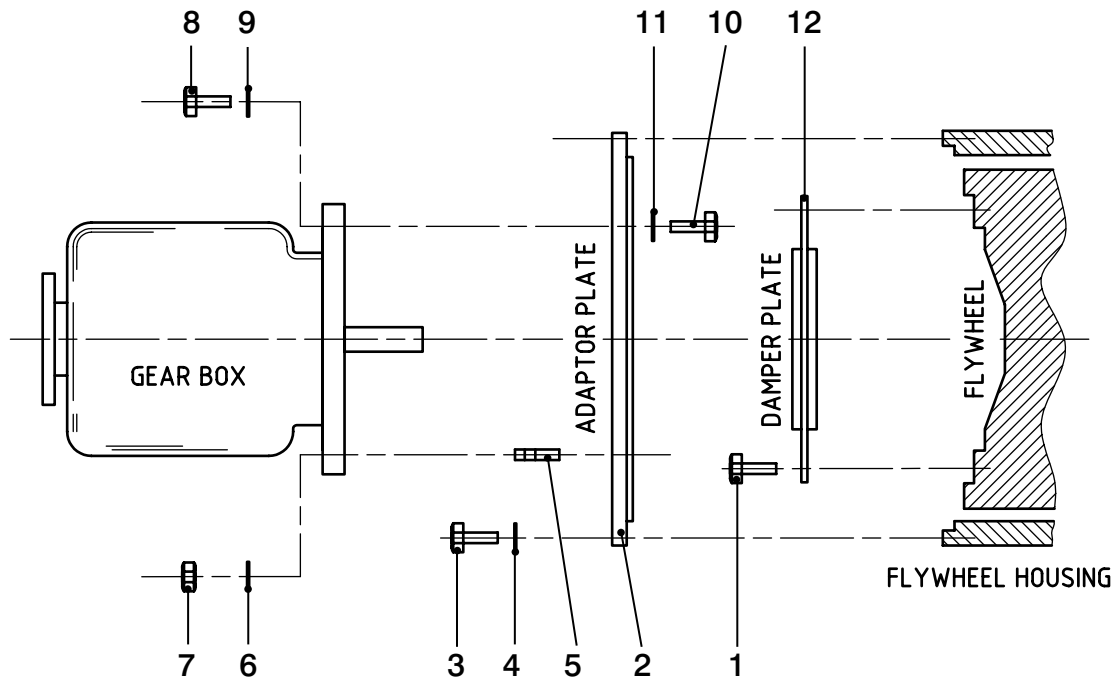


VD4.120 **VD4.140**
VD6.170 **VD6.210**

Motorbedrading 24V-2p

Engine wiring 24V-2p

pos.	qty	part	benaming	description
1	1	STM8655	Startmotor 24V-2p	Starter 24V-2p
2	1	17-9889	Dynamo 24V-60A 2p	Alternator 24V-60A 2p
3	1	16-7210	Steun (exclusief EMR en relais)	Bracket (ex. EMR and relais)
4	1	MPA34CANBS4	Instrumenten paneel 24V	Instrument panel 24V
5	1	STM8225	Startrelais 24V-40A	Start relay 24V-40A
6	1	STM8225	EMR relais 24V-40A	EMR relay 24V-40A
7	1	STM8295	El. olieaftappomp relais 24V-20A	Electric oil pump relay 24V-20A
8	1	STM8295	Diagnose / CAN relais 24V-20A	Diagnos / CAN relay 24V-20A
9	1	BFUSE03	Steekzekering 3A (starten)	Blade fuse 3A (start)
10	1	BFUSE25	Steekzekering 25A (El. oliepom)	Blade fuse 25A (Electric oil pump)
11	1	BFUSE10	Steekzekering 10A (EMR)	Blade fuse 10A (EMR)
12	1	BFUSE07	Steekzekering 7,5A (diagnose / CAN)	Blade fuse 7,5A (diagnos / CAN)
13	1	MPKA06	Kabel (EMR steun => paneel)	Cable (EMR bracket => panel)
14	1	DZ48051	Motorbedrading KHD VD4	Engine wiring loom KHD VD4
	1	DZ48050	Motorbedrading KHD VD6	Engine wiring loom KHD VD6
15	1	DZ48049-6	Verbindingskabel KHD (motor => EMR) VD6	Connection cable KHD (motor => EMR) VD6
16	1	16-6924	EMR bedrading	EMR wiring
17	1	16-6923MV	Batterij bedrading standaard	Battery terminal wires standard
18	1	16-6923	Gebruiker motorbedrading	Customer motor wiring
19	1	EC3E3MD	Gaskabel bedrading 0,5-4,5V	Throttle wiring 0,5-4,5V
20	1	ECSBC05	CAN kabel 7,5mtr(EMR steun => paneel)	CAN cable 7,5mtr. (EMR bracket => panel)
21	1	ECSBCC	Verloopkabel	Gender changer



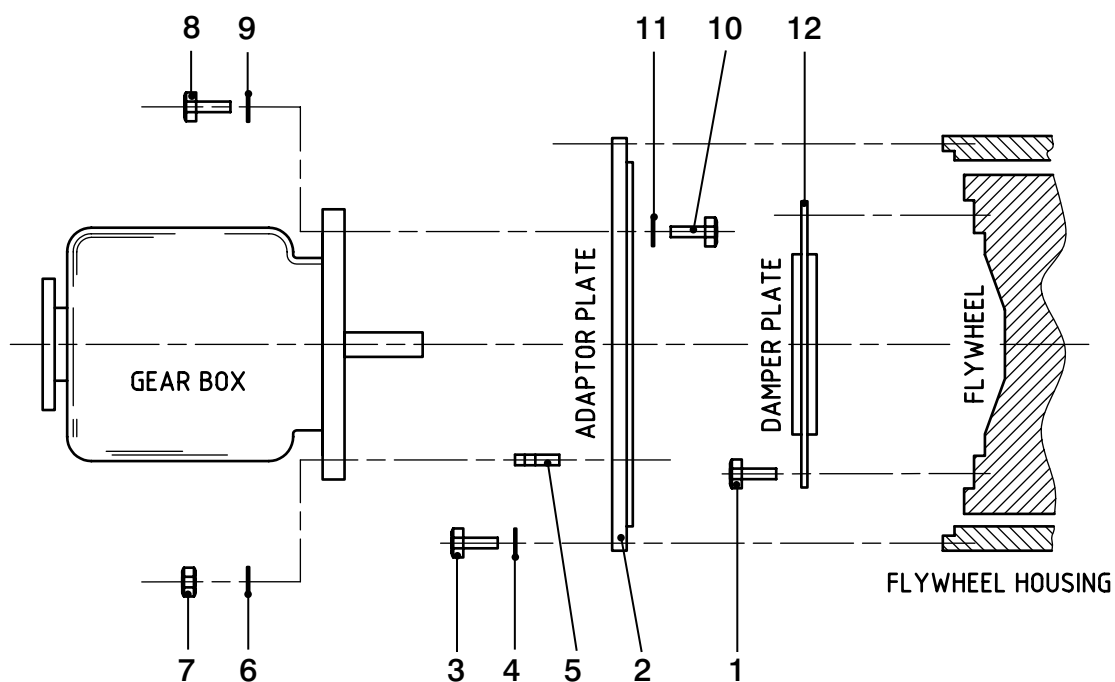
VD4.120
VD6.170

VD4.140
VD6.210

Montagedelen keerkoppeling

Mounting parts gearbox

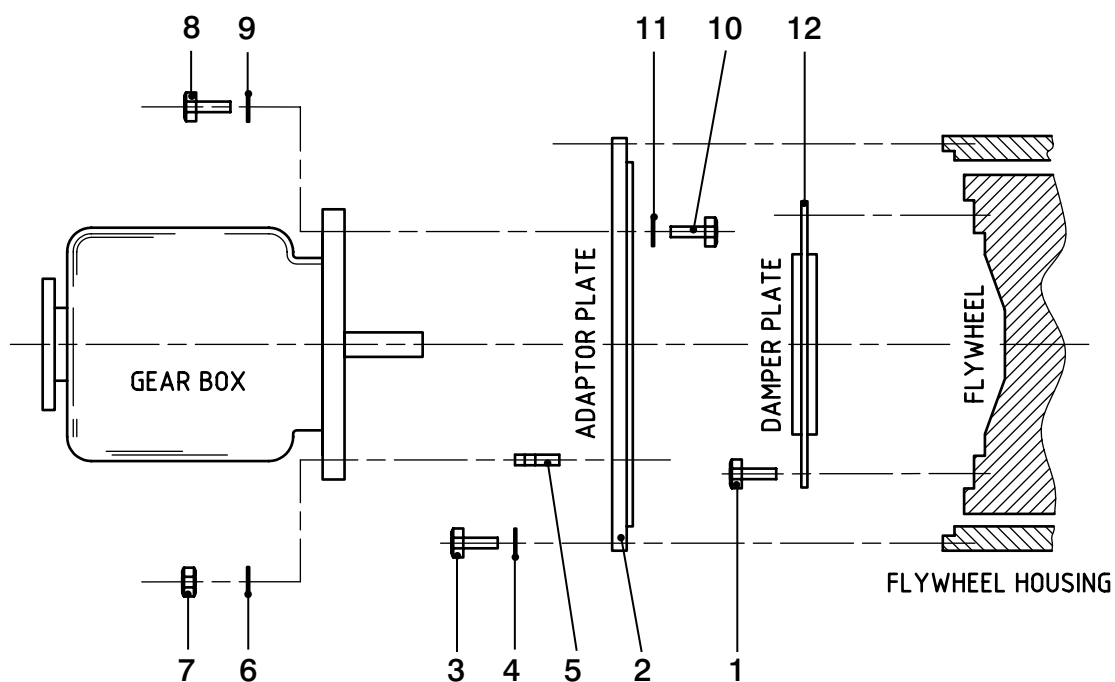
pos.	qty	part	benaming	description
			ZF45A	
1	8	STM9003	Tapbout M10x25	Bolt M10x25
2	1	CT50021	Adapterplaat	Adaptorplate
3	8	STM9003	Tapbout M10x25	Bolt M10x25
4	8	STM4014	Veerring M10	Spring washer M10
5	6	18-15868	Tapeind M12x1,25	Stud M12x1,25
6	6	STM4003	Gegolfde veering M12	Wave spring washer M12
7	6	M12RIPPB	Moer M12	Nut M12
12	1	STM8272	Demperplaat	Damperplate
			ZF45 - ZF220	
1	8	STM9003	Tapbout M10x25	Bolt M10x25
2	1	STM8713	Adapterplaat	Adaptorplate
3	12	STM9003	Tapbout M10x25	Bolt M10x25
4	8	STM4014	Veerring M10	Spring washer M10
10	6	CT50003	Bout M10x35	Bolt M10x35
11	6	STM4014	Veerring M10	Spring washer M10
12	1	STM8272	Demperplaat	Damperplate



VD4.120 VD4.140 Montagedelen keerkoppeling
VD6.170 VD6.210

Mounting parts gearbox

pos.	qty	part	benaming	description
ZF68A				
1	8	STM9003	Tapbout M10x25	Bolt M10x25
2	1	CT50021	Adapterplaat	Adaptorplate
3	8	STM9003	Tapbout M10x25	Bolt M10x25
4	8	STM4014	Veerring M10	Spring washer M10
5	6	18-15868	Tapeind M12x30	Stud M12x30
6	6	STM4003	Gegolfde veering M12	Wave spring washer M12
7	6	M12RIPPB	Moer M12	Nut M12
12	1	STM8272	Demperplaat	Damperplate
ZF68 - ZF220				
1	8	STM9003	Tapbout M10x25	Bolt M10x25
2	1	CT50021	Adapterplaat	Adaptorplate
3	8	STM9003	Tapbout M10x25	Bolt M10x25
4	8	STM4014	Veerring M10	Spring washer M10
5	6	18-15868	Tapeind M12x30	Stud M12x30
6	6	STM4003	Gegolfde veering M12	Wave spring washer M12
7	6	M12RIPPB	Moer M12	Nut M12
12	1	STM8272	Demperplaat	Damperplate



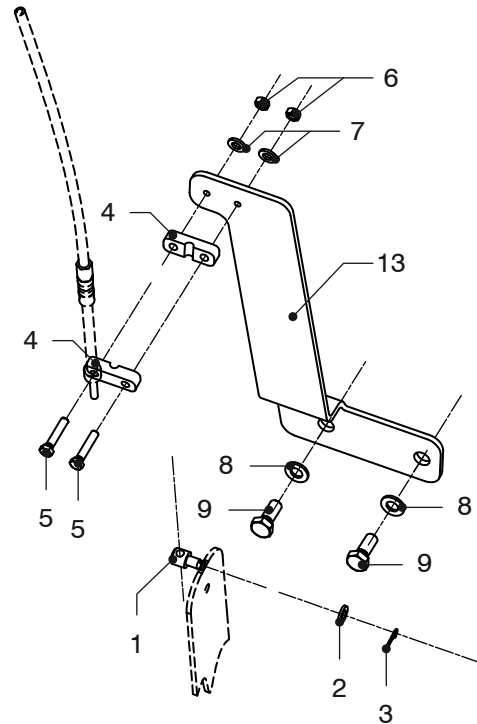
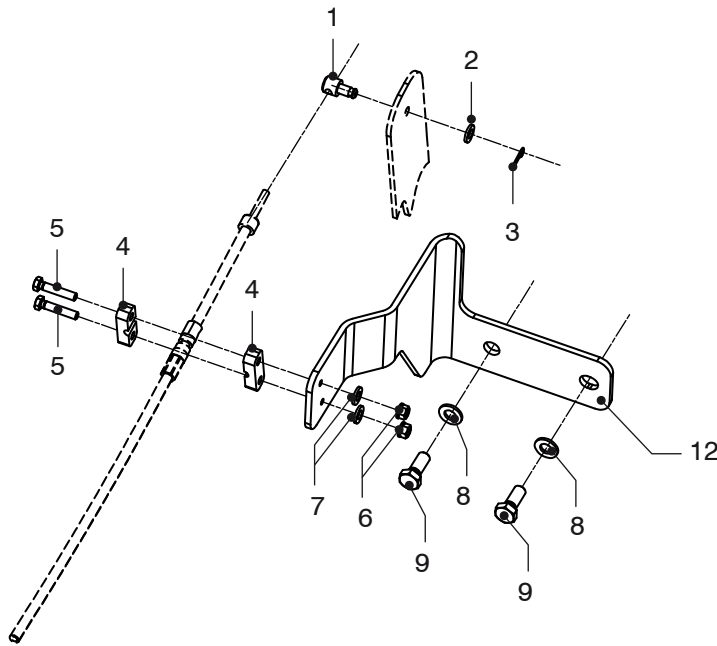
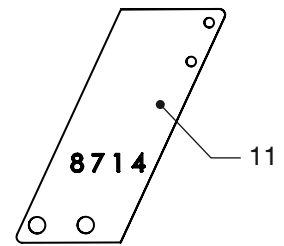
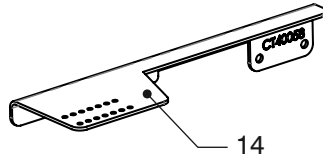
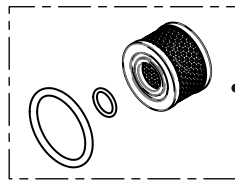
VD4.120
VD6.170

VD4.140
VD6.210

Montagedelen keerkoppeling

Mounting parts gearbox

pos.	qty	part	benaming	description
ZF68IV				
1	8	STM9003	Tapbout M10x25	Bolt M10x25
2	1	CT50021	Adapterplaat	Adaptorplate
3	8	STM9003	Tapbout M10x25	Bolt M10x25
4	8	STM4014	Veerring M10	Spring washer M10
5	6	18-15868	Tapeind M12x30	Stud M12x30
6	6	STM4003	Gegolfde veering M12	Wave spring washer M12
7	6	M12RIPPB	Moer M12	Nut M12
12	1	STM8272	Demperplaat	Damperplate
PRM500-PRM750 (PRM302-PRM402) - ZF220				
1	8	STM8216	Tapbout M10x16	Bolt M10x16
2	1	CT50026	Adapterplaat	Adaptorplate
3	8	STM9003	Tapbout M10x25	Bolt M10x25
4	8	STM4014	Veerring M10	Spring washer M10
8	5	STM7077	Bout M12x30	Bolt M12x30
9	5	STM4056	Gegolfde veering M12	Wave spring washer M12
12	1	STM8777	Demperplaat centa (alternatief CT50027) PRM500 drop-center / down angle PRM750 drop-center / down angle	Damperplate centa (alternative CT50027) PRM500 drop-center / down angle PRM750 drop-center / down angle

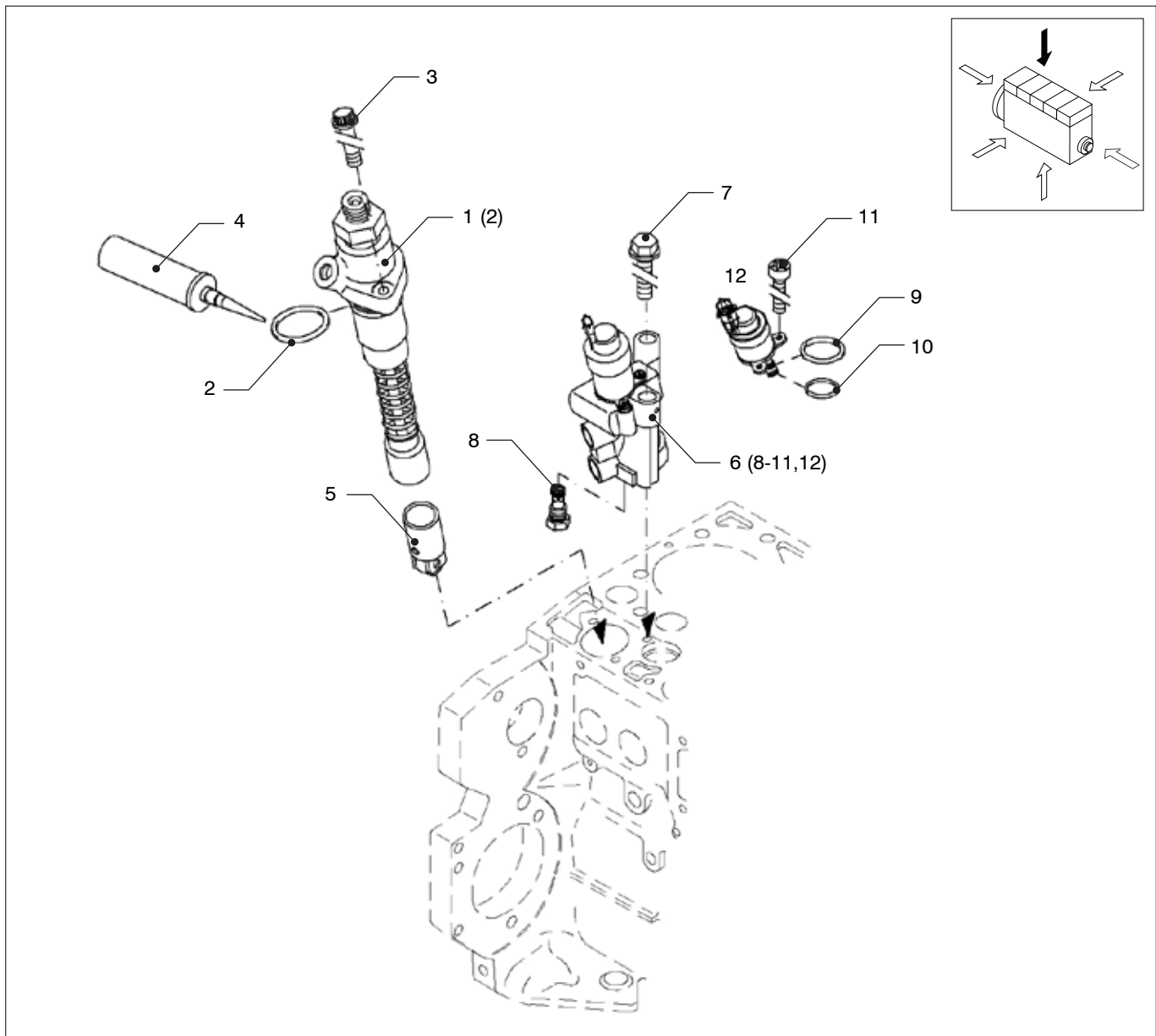


VD4.120 **VD4.140**
VD6.170 **VD6.210**

Bediening keerkoppeling

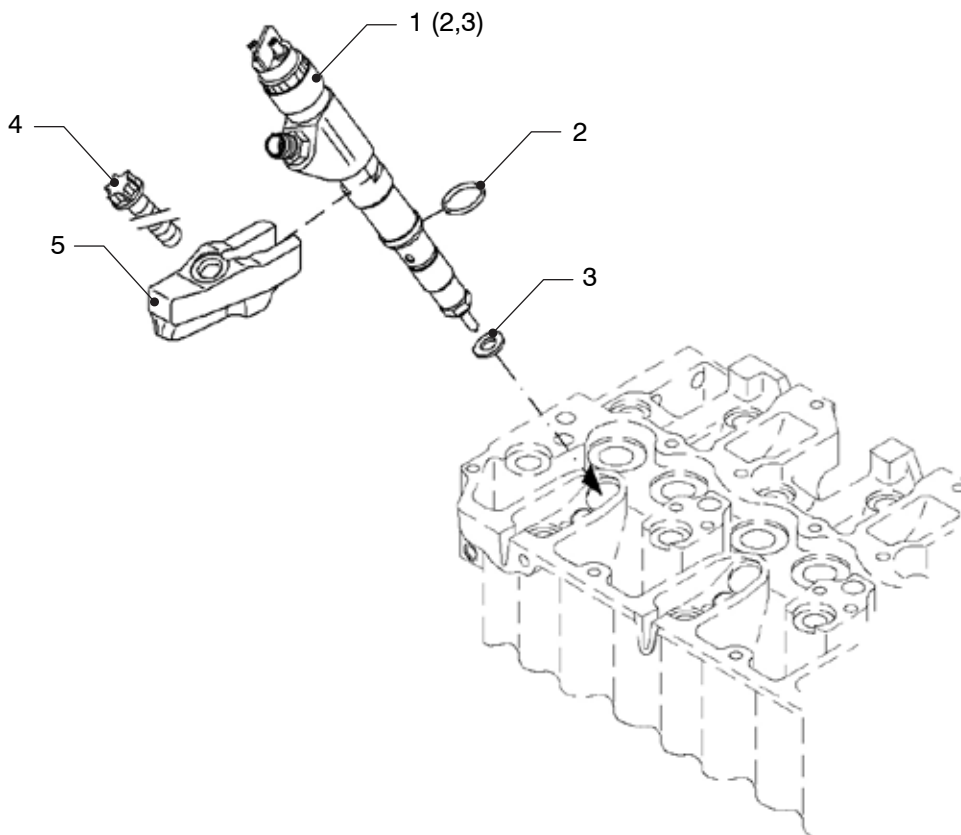
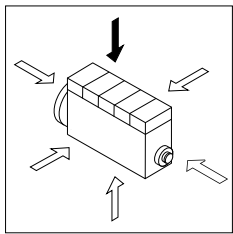
Controls gearbox

pos.	qty	part	benaming	description
1	1	STM1806	Kabelnippel	Cable nipple
2	1	STM1807	Ring M6	Washer M6
3	1	STM1808	Splitpen 2x25	Split pin 2x25
4	1	STM1703	Kabelklem	Cable clamp
5	2	STM1704	Bout M5x25	Bolt M5x25
6	2	STM1705	Moer M5	Nut M5
7	2	STM1019	Veerring M5	Spring washer M5
8	2	STM4014	Veerring M10	Spring washer M10
9	2	STM9765	Bout 3/8"UNC x 3/4"	Bolt 3/8"UNC x 3/4"
10	1	CT50081	Oliefilter ZF	Oil filter ZF
			Steun trek-drukkabel	Support push-pull cable
11	1	STM8714	ZF45, ZF45A	ZF45, ZF45A
12	1	STM9742	ZF horizontaal	ZF horizontal
13	1	STM9750	ZF vertikaal (optie)	ZF vertical (option)
14	1	CT40058	PRM500/PRM750	PRM500-PRM750



VD4.120	VD4.140	Brandstofinjectiepomp	Fuel injection pump
VD6.170	VD6.210		

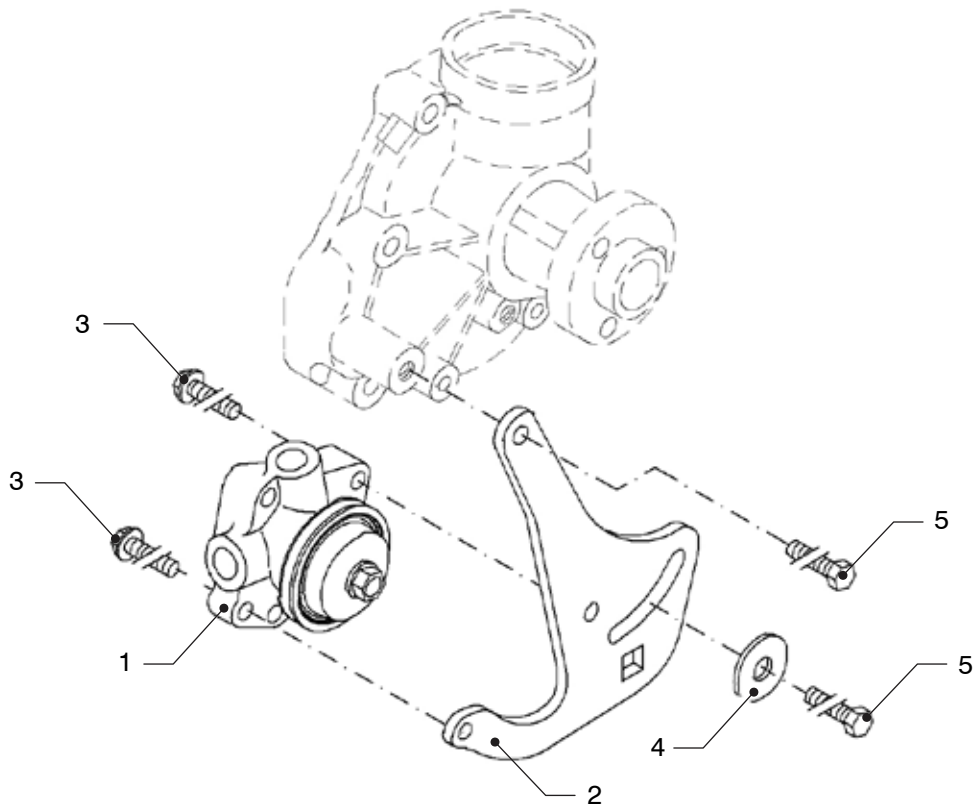
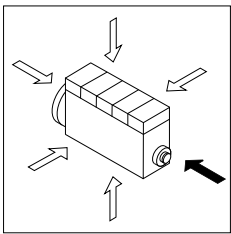
pos.	qty	part	benaming		description	
1	2	VP000118	Brandstof injectie pomp	VD4	Fuel injector pump	VD4
2	2	DZ17002	O-Ring		O-seal	
3	2	DZ17003	Bout		Bolt	
4	1	DZ17004	Montagepasta		Mounting device	
5	1	DZ17005	Aandrijfbus		Roller tappet	
6	1	DZ17010	Stuurblok		Control block	
7	2	DZ17011	Zeskantbout		Hexagon bolt	
8	1	DZ17013	Ontlastklep, incl. afd.		Overflow valve, incl. seals	
9	1	DZ17014	O-ring		O-ring	
10	1	DZ17015	O-ring		O-ring	
11	3	DZ17016	Torxbout		Torx-head bolt	
12	1	DZ17020	Magneetklep		Solenoid valve	



VD4.120 VD4.140 Brandstofinjector
VD6.170 VD6.210

Fuel injector

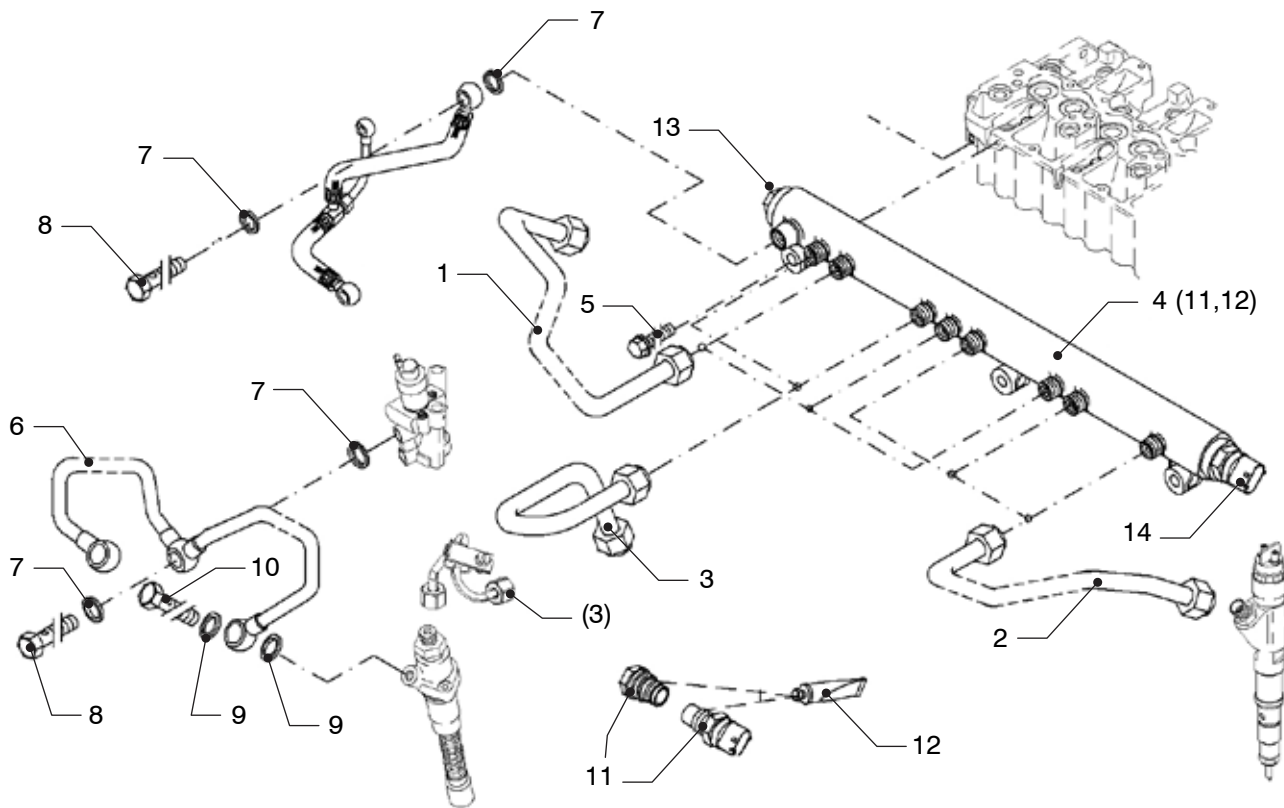
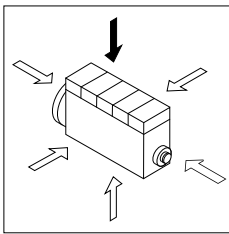
pos.	qty	part	benaming		description	
1	1	VP000117	Verstuiver	VD4	Injector	VD4
2	1	DZ19002	O-ring		O-ring	
3	1	DZ19003	Afdichtring		Sealing ring	
4	1	DZ19004	Torxbout		Torx-head bolt	
5	1	DZ19005	Verstuiver klem	VD4	Claw for injector	VD4



VD4.120 **VD4.140** **Brandstofpomp**
VD6.170 **VD6.210**

Fuel pump

pos.	qty	part	benaming	description
1	1	DZ20001	Brandstofopvoerpomp	Fuel lift pump
2	1	DZ20002	Span steun	Clamping strap
3	1	DZ20003	Zeskantbout	Hexagon bolt
4	1	DZ20004	Sluistring	Plain washer
5	2	DZ20005	Zeskantbout	Hexagon bolt

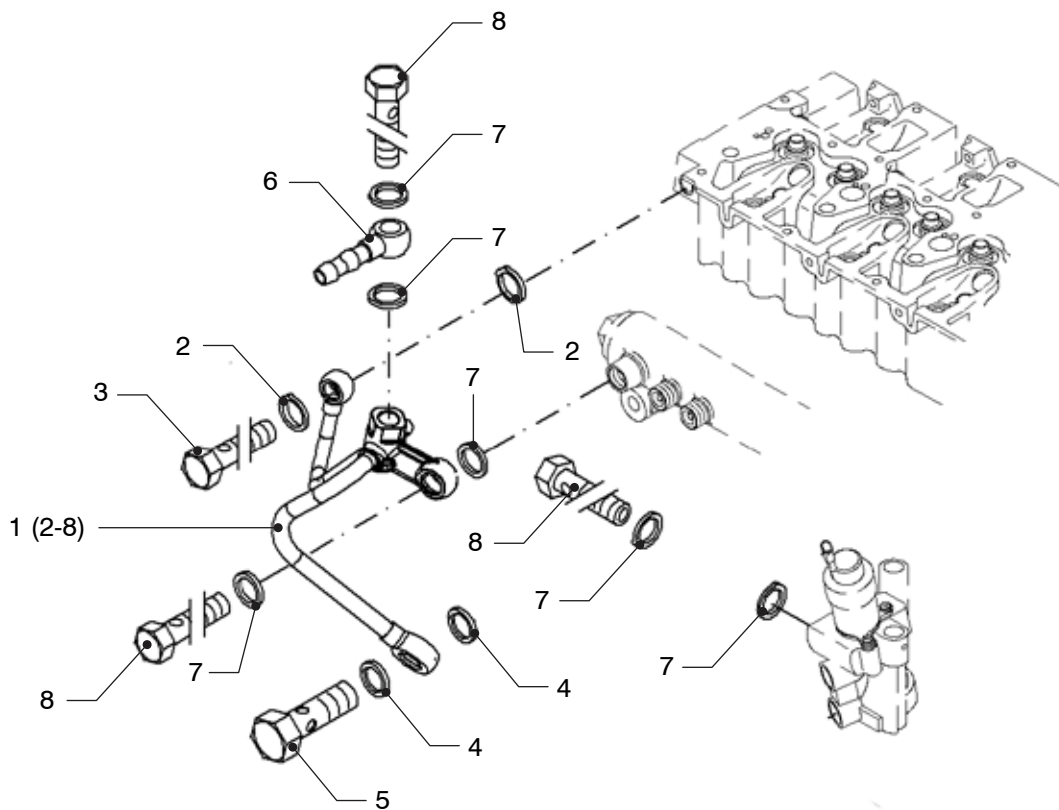
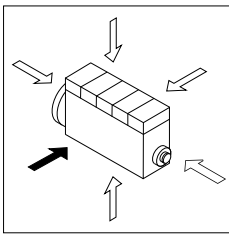


VD4.120 **VD4.140**
VD6.170 **VD6.210**

Brandstofleiding

Fuel line

pos.	qty	part	benaming		description		
1	2	DZ21001	Inspuitleiding	VD4	High pressure pipe	VD4	
		3	DZ21001	Inspuitleiding	VD6	High pressure pipe	VD6
2	2	DZ21002	Inspuitleiding	VD4	High pressure pipe	VD4	
		3	DZ21002	Inspuitleiding	VD6	High pressure pipe	VD6
3	2	DZ21003	Inspuitleiding		High pressure pipe		
4	1	DZ21004	Rail		Rail		
5	2	DZ21005	Zeskantbout	VD4	Hexagon bolt	VD4	
		3	DZ21005	Zeskantbout	VD6	Hexagon bolt	VD6
6	1	DZ21006	Brandstofleiding		Fuel line		
7	2	DZ21007	Afdichtring		Sealing ring		
8	1	DZ21008	Banjobout		Banjo bolt		
9	4	DZ21009	Afdichtring		Sealing ring		
10	2	DZ21010	Banjobout		Banjo bolt		
11	1	DZ21054	Reparatieset		Repair kit		
12	1	DZ21055	Multi-purp. vet		Multi-purp. grease		
13	1	DZ21054A	Overdrukklep		Pressure release valve		
14	1	DZ21054B	Raildrukregelaar		Rail pressure sensor		



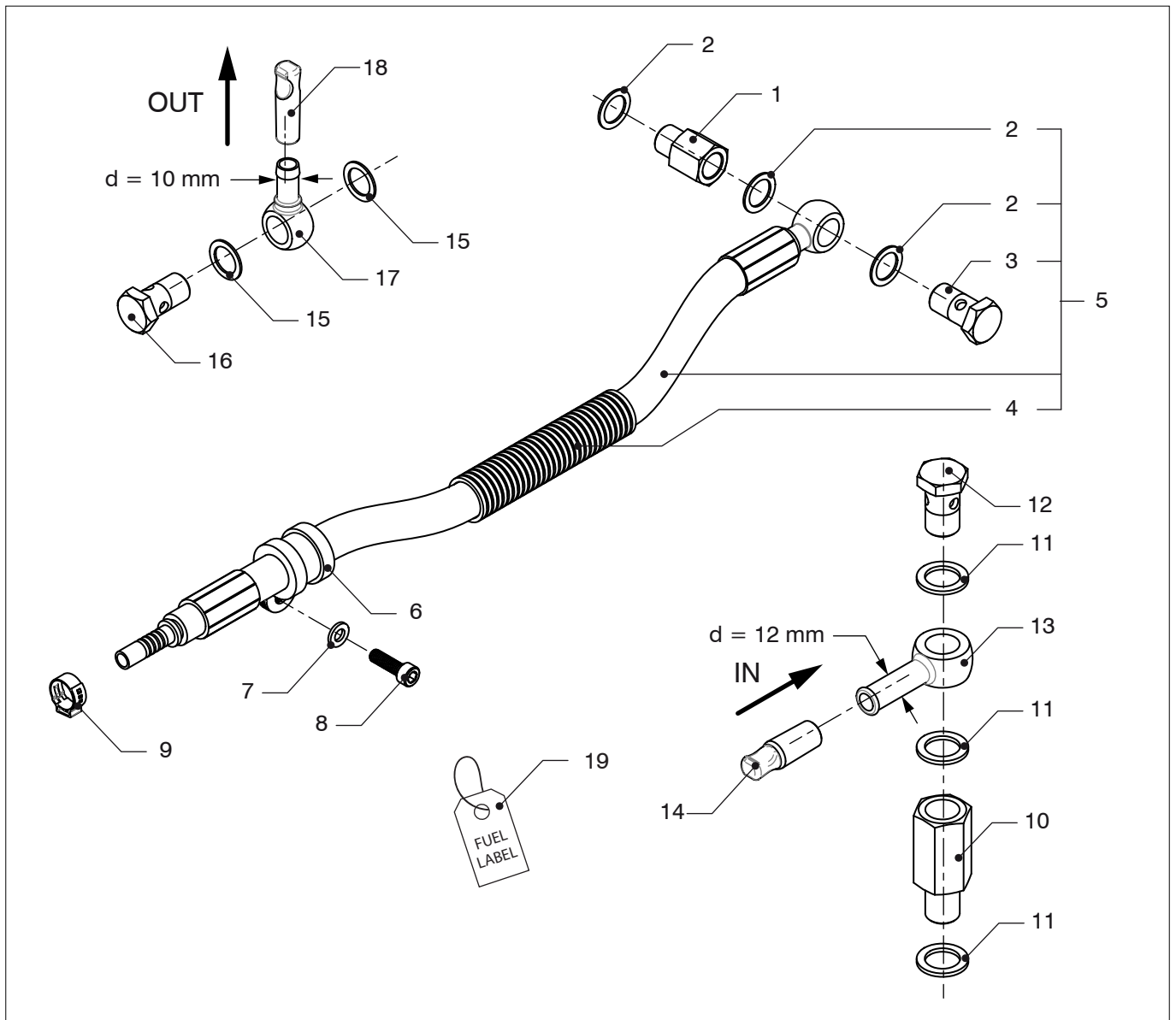
VD4.120
VD6.170

VD4.140
VD6.210

Retour brandstofleiding

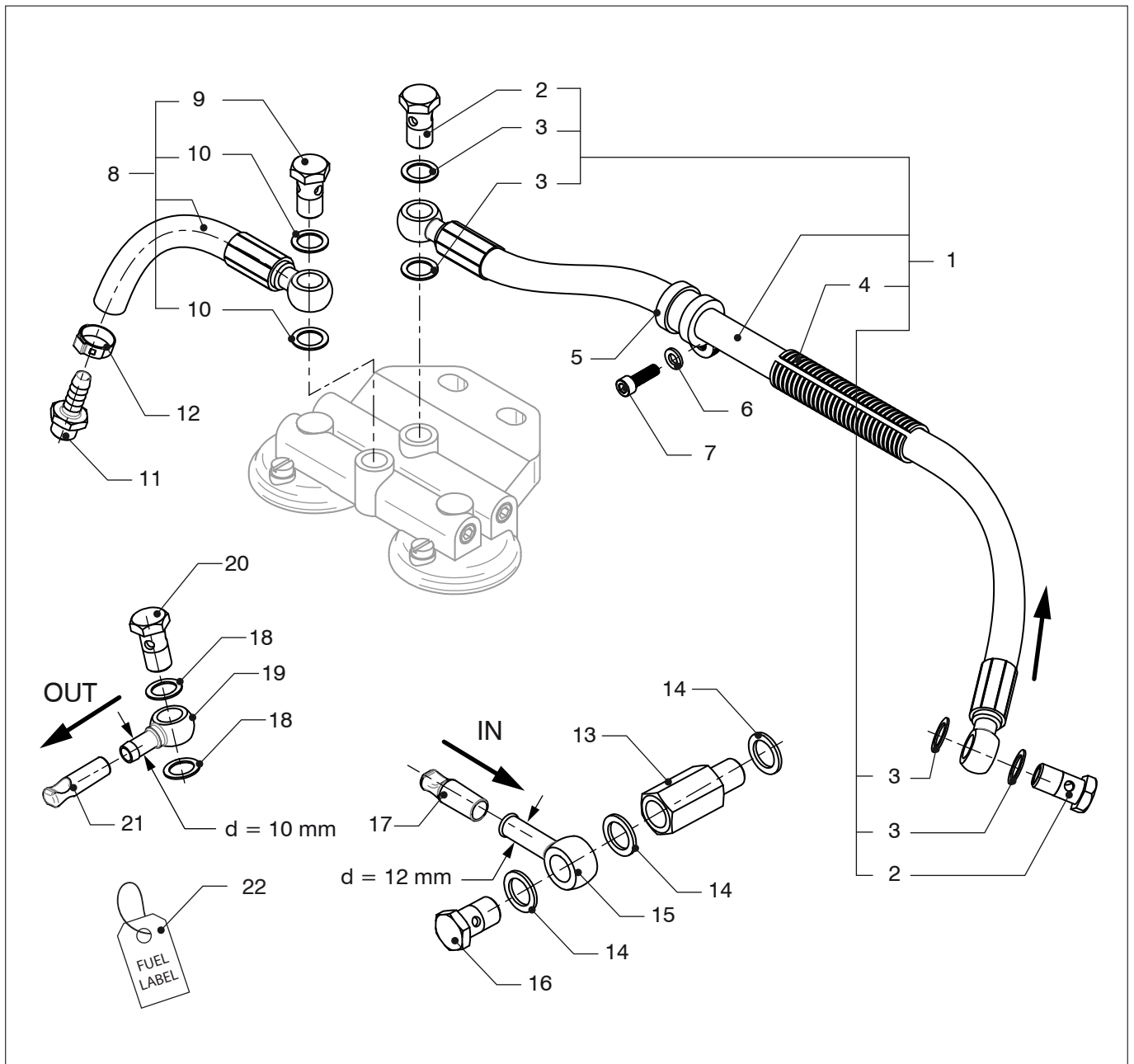
Return fuel line

pos.	qty	part	benaming	description		
1	1	DZ21011	Retourpijp	Return line		
2	2	DZ21012	Afdichtring	Sealing ring		
3	1	DZ21013	Banjobout	Banjo bolt		
4	2	DZ21014	Afdichtring	Sealing ring		
5	1	DZ21015	Banjobout	Banjo bolt		
6	1	DZ21016	Banjo-oog	Banjo eye		
7	2	DZ21037	Afdichtring	Sealing ring	VD6	VD6
8	1	DZ21038	Banjobout	Banjo bolt	VD6	VD6



VD4.120 VD4.140 Brandstofslang Fuel hose

pos.	qty	part	benaming	description
1	1	17-10200	Adapter M14x1,5 - M14x1,5	Adapter M14x1,5 - M14x1,5
2	3	R142010RK	Afdichtring M14	Seal washer M14
3	1	STM3518	Banjo bout M14x1,5	Banjo bolt M14x1,5
4	1	17-13023	Beschermhuls	Protection sleeve
5	1	17-13024	Brandstofslang	Fuel hose
6	1	STM8832	Klem Ø18	Clamp Ø18
7	1	R061Y	Ring M6	Washer M6
8	1	B06207Y	Inbusbout M6x20	Allen bolt M6x20
9	1	18-15120	Slangklem 12,3 - 14,8	Hose clamp 12,3 - 14,8
10	1	STM8213	Adapter M16x1,5 - M16x1,5	Adapter M16x1,5 - M16x1,5
11	3	STM6617	Afdichtring M16	Sealing ring M16
12	1	STM8214	Banjo bout M16x1,5	Banjo bolt M16x1,5
13	1	STM8215	Banjo oog M16 - Ø12	Banjo eye M16 - Ø12
14	1	GFEC012PR	Kap rood	Grip flex cap red
15	2	R142010RK	Afdichtring M14	Seal washer M14
16	1	STM3518	Banjo bout M14x1,5	Banjo bolt M15x1,5
17	1	STM3695	Banjo oog M14 - Ø10	Banjo eye M14 - Ø10
18	1	GFEC010PR	Kap rood	Grip flex cap red
19	1	365299	Brandstof label	Fuel label



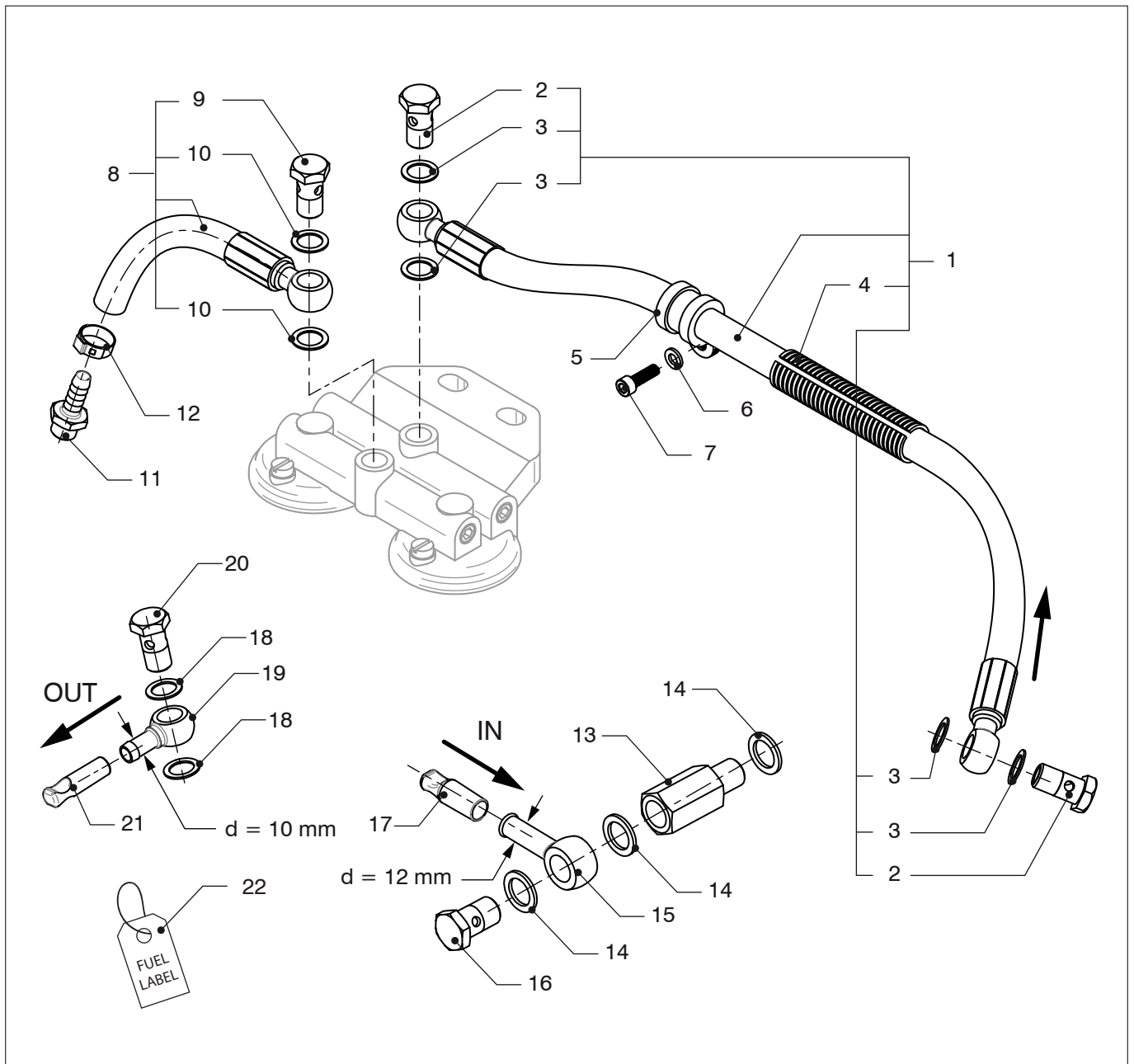
VD6.170

VD6.210

Brandstofslangen

Fuel hoses

pos.	qty	part	benaming	description
1	1	18-14705	Brandstofslang (12+13+14)	Fuel hose (12+13+14)
2	2	STM3518	Banjo bout M14x1,5	Banjo bolt M14x1,5
3	4	R142010K	Afdichtring M14	Seal washer M14
4	1	17-13023	Beschermhuls	Protection sleeve
5	1	STM8832	Klem Ø18	Clamp Ø18
6	1	R061Y	Ring M6	Washer M6
7	1	B06207Y	Inbusbout M6x20	Allen bolt M6x20
8	1	18-14706	Brandstofslang (16+17)	Fuel hose (16+17)
9	1	STM3518	Banjo bout M14x1,5	Banjo bolt M14x1,5
10	2	R142010K	Afdichtring M14	Seal washer M14
11	1	SLPL1410	Slangpilaar M14x1,5 - Ø10	Hose pilar M14x1,5 - Ø10
12	1	STM9781	Slangklem 18,5 - 15,3	Hose clamp 18,5 - 15,3
13	1	STM8213	Adapter M16x1,5 - M16x1,5	Adaptor M16x1,5 - M16x1,5
14	3	STM6617	Afdichtring M16	Seal washer M16
15	1	STM8215	Banjo oog M16 - Ø12	Banjo eye M16 - Ø12
16	1	STM8214	Banjo bout M16x1,5	Banjo bolt M16x1,5



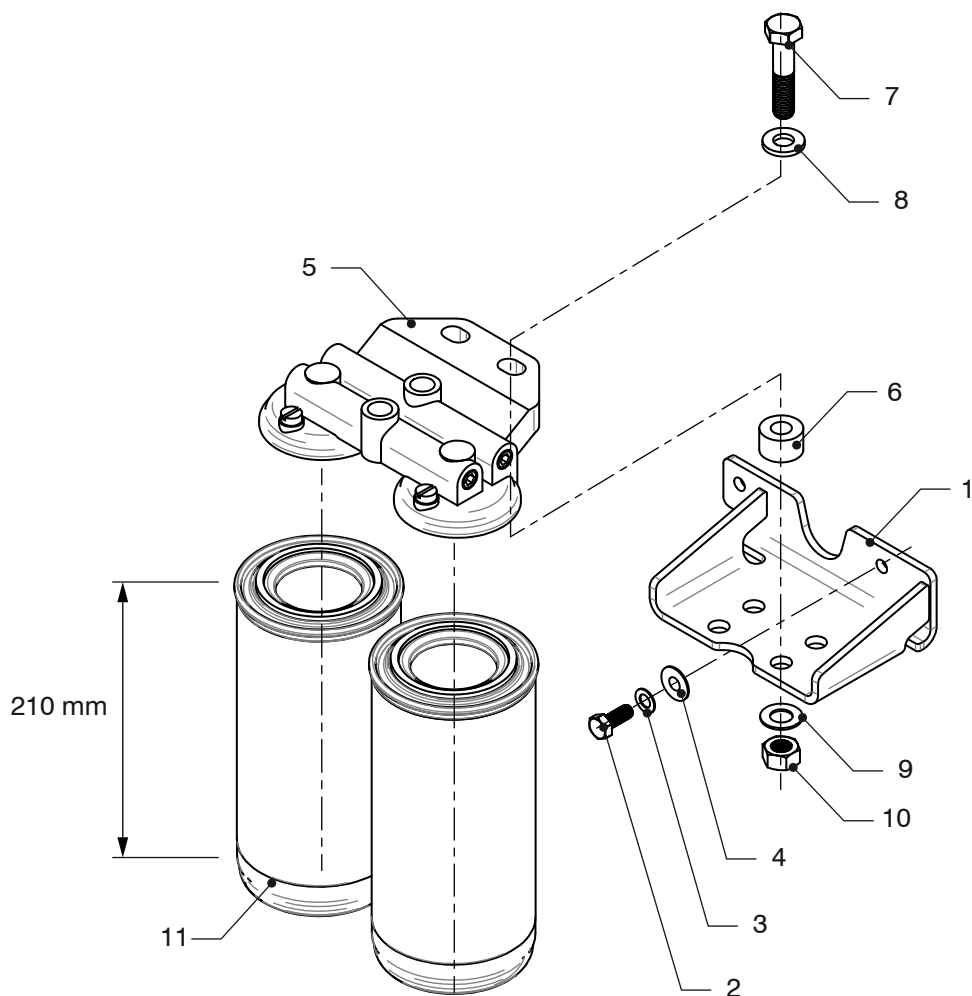
VD6.170

VD6.210

Brandstofslangen

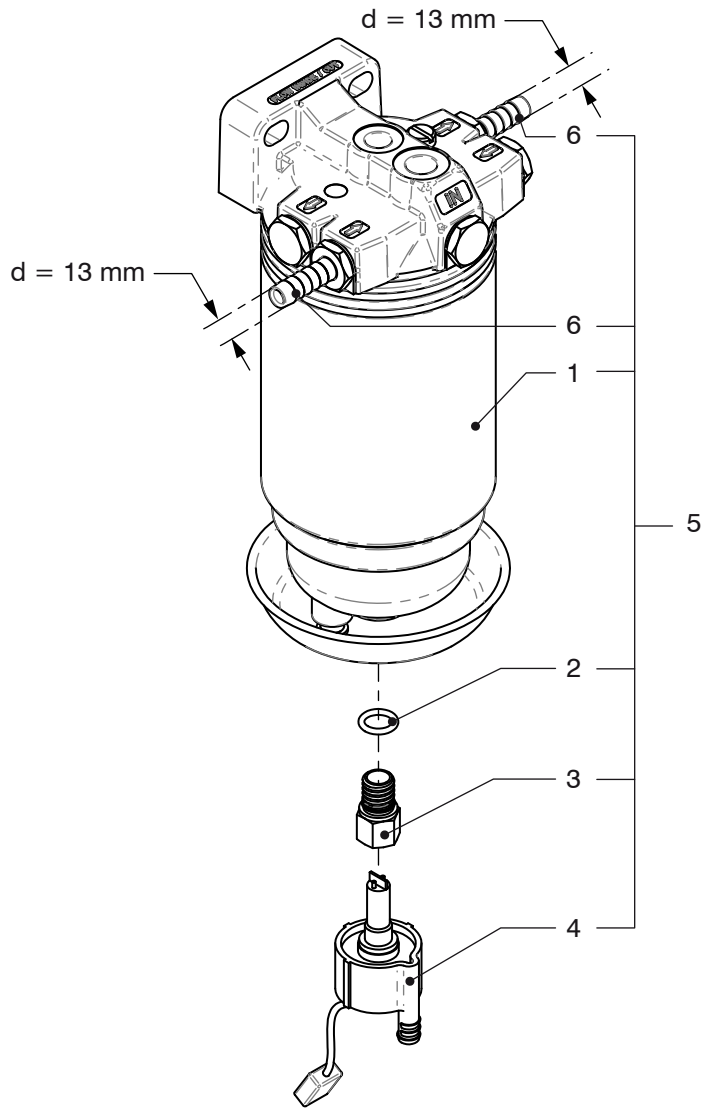
Fuel hoses

pos.	qty	part	benaming	description
17	1	GFEC012PR	Kap rood	Grip flex cap red
18	2	R142010K	Afdichtring M14	Seal washer M14
19	1	STM3695	Banjo oog M14 - Ø10	Banjo eye M14 - Ø10
20	1	STM3518	Banjo bout M14x1,5	Banjo bolt M14x1,5
21	1	GFEC010PR	Kap rood	Grip flex cap red
22	1	365299	Brandstof label	Fuel label



VD6.170	VD6.210	Brandstoffilter	Fuel filter
---------	---------	-----------------	-------------

pos.	qty	part	benaming	description
1	1	16-4995	Steun	Bracket
2	2	B08205YT	Zeskantbout M8x20	Hex head bolt M8x20
3	2	R085Y	Gegolfde veerring M8	Wave spring washer M8
4	2	STM3749	Ring Ø24 d=1,6	Washer Ø24 d=1,6
5	1	18-15103	Brandstoffilterkop	Fuel filter head
6	2	16-6039	Bus d=15	Bush d=15
7	2	B1255Y	Zeskantbout M12x55	Hex head bolt M12x55
8	2	STM3258	Ring Ø24 d=3	Washer Ø24 d=3
9	2	R125Y	Gegolfde veerring M12	Wave spring washer M12
10	2	M12Y	Moer M12	Nut M12
11	2	17-8509	Brandstoffilter l=210	Fuel filter l=210

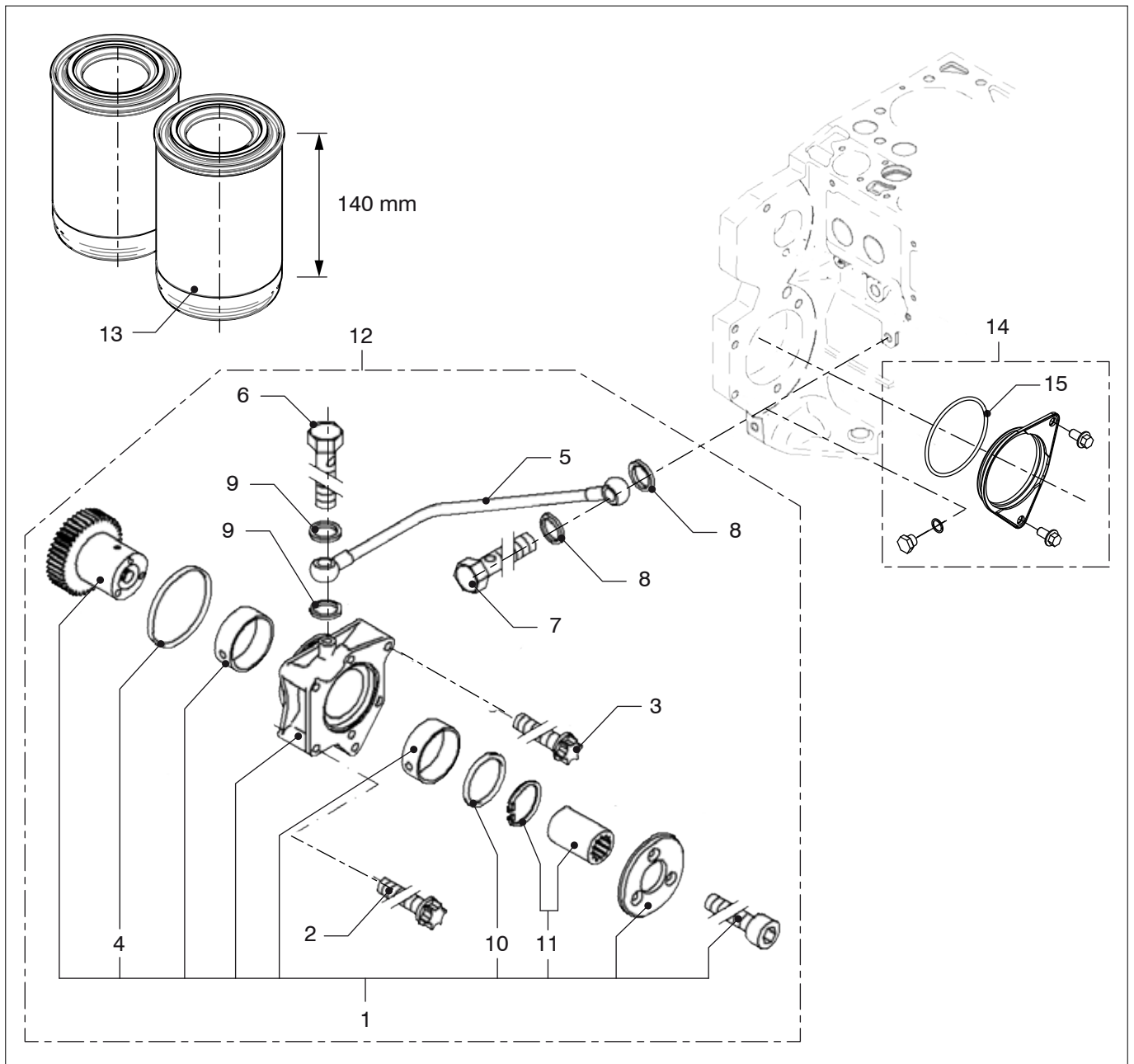


VD4.120 **VD4.140**
VD6.170 **VD6.210**

Water separator/filterset

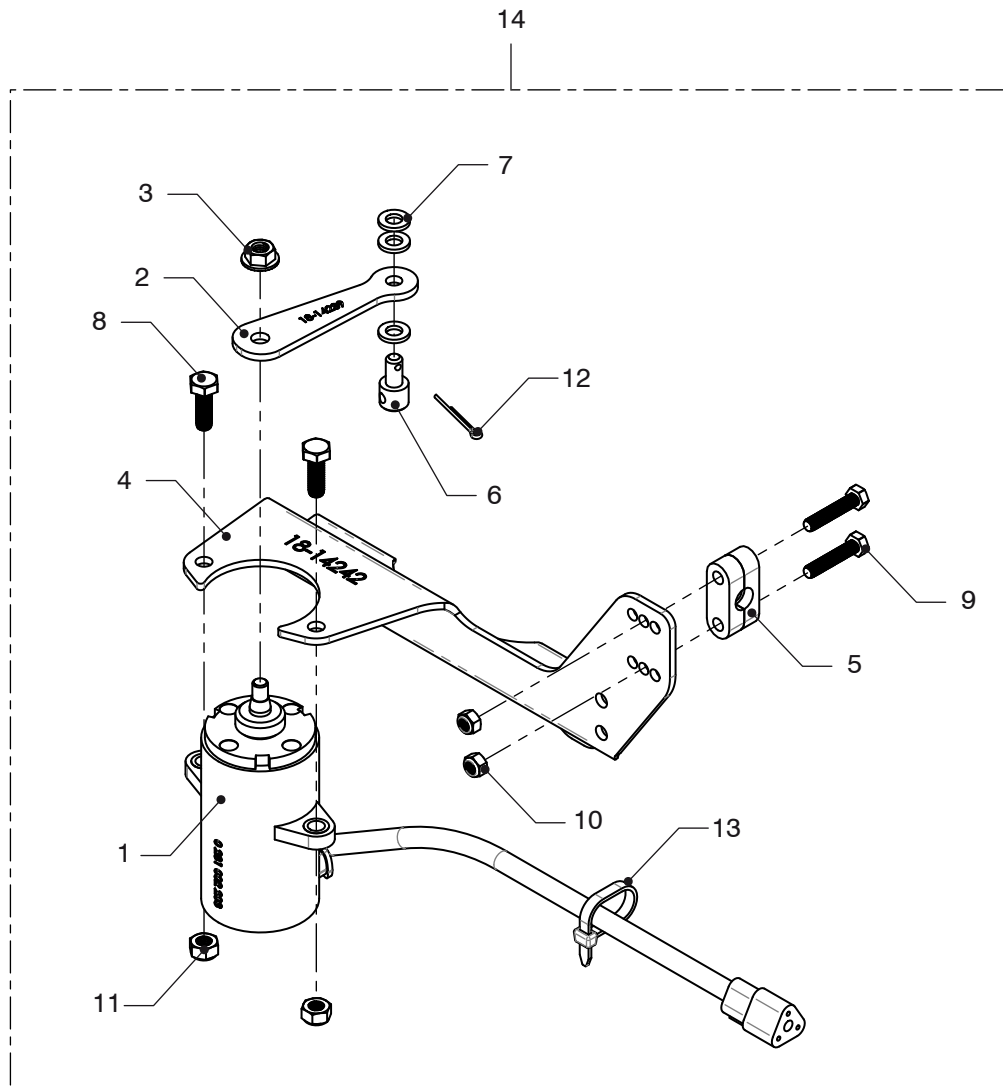
Water separator/filterkit

pos.	qty	part	benaming	description
1	1	340VTEB	Water separator/filterset	Spin on filterset
2	1	17-8228	O-ring 12,4x2,6 NBR	O-ring 12,4x2,6 NBR
3	1	17-8214	Adapter	Adaptor
4	1	17-8246	Sensor M12x1,5	Sensor M12x1,5
5	1	17-8652	Water sep. compleet	Water sep. kit cpl.
6	1	FFS1300	Nippels Ø13	Nippels Ø13



VD4.120	VD4.140	Krachtafnemer A	Power take-off A
VD6.170	VD6.210		

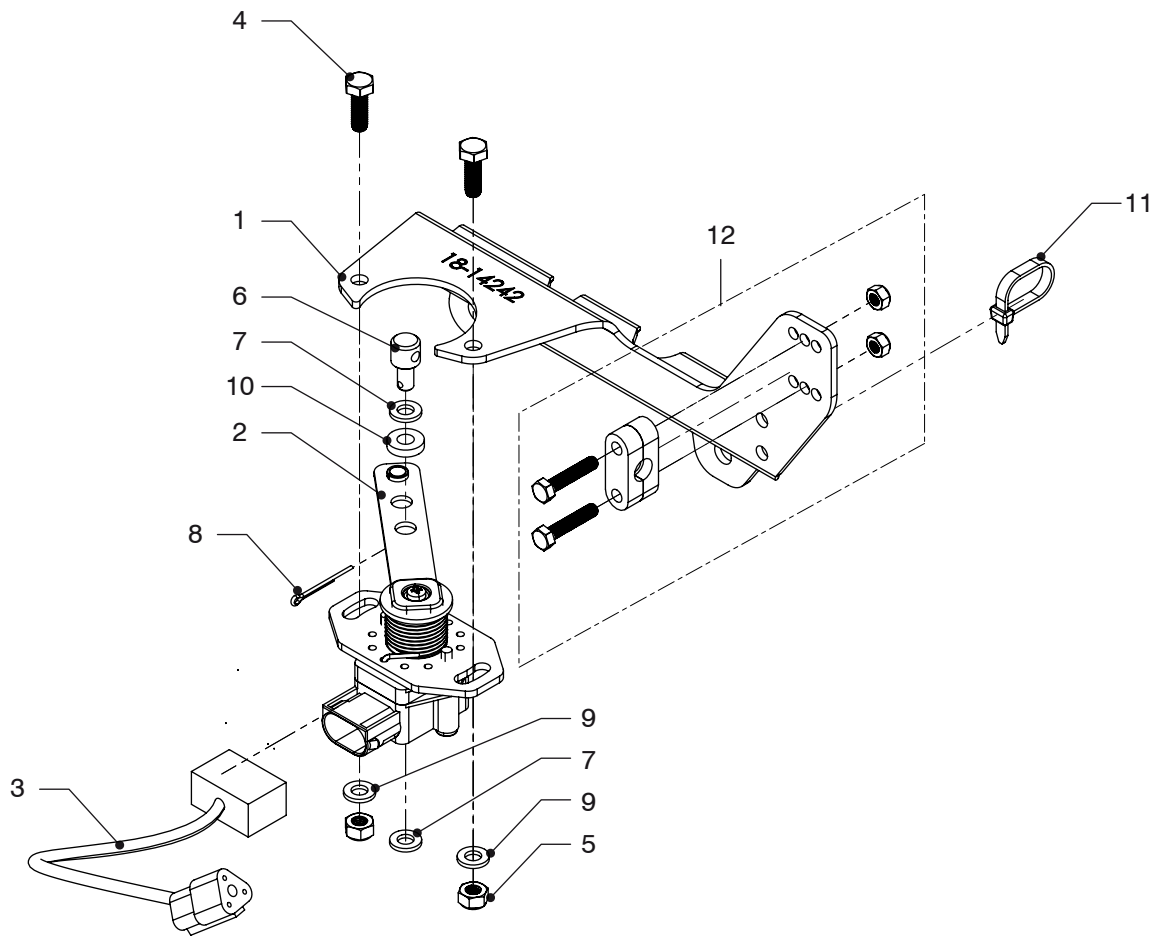
pos.	qty	part	benaming	description
1	1	VD20643	PTO lagerhuis	PTO bearing case
2	2	VD20644	Torx bout	Torx bolt
3	2	VD20645	Torx bout	Torx bolt
4	1	VD20037	O-ring 98x3 zwart	O-ring 98x3 black
5	1	VD20650	Olieleiding	Oil line
6	1	VD20646	Banjo bout	Banjo bolt
7	1	VD20648	Banjo bout	Banjo bolt
8	2	VD20647	Afdichtring M14	Seal washer M14
9	2	VD20649	Afdichtring	Seal washer
10	1	VD20651	O-ring wit	O-ring white
11	1	VD20652	Koppelingshuls	Spline sleeve
12	1	VD20642	PTO set (1t/m12)	PTO kit (1t/m12)
13	2	18-14330	Brandstoffilter VD6 L=140	Fuel filter VD6 L=140
14	1	VP000114	Set vervanging PTO	Kit replacing PTO
15	1	VD20706	O-ring	O-ring



VD4.120 VD4.140 Potentiometer assy 06-2024 <-
VD6.170 VD6.210

Potentiometer assy 06-2024 <-

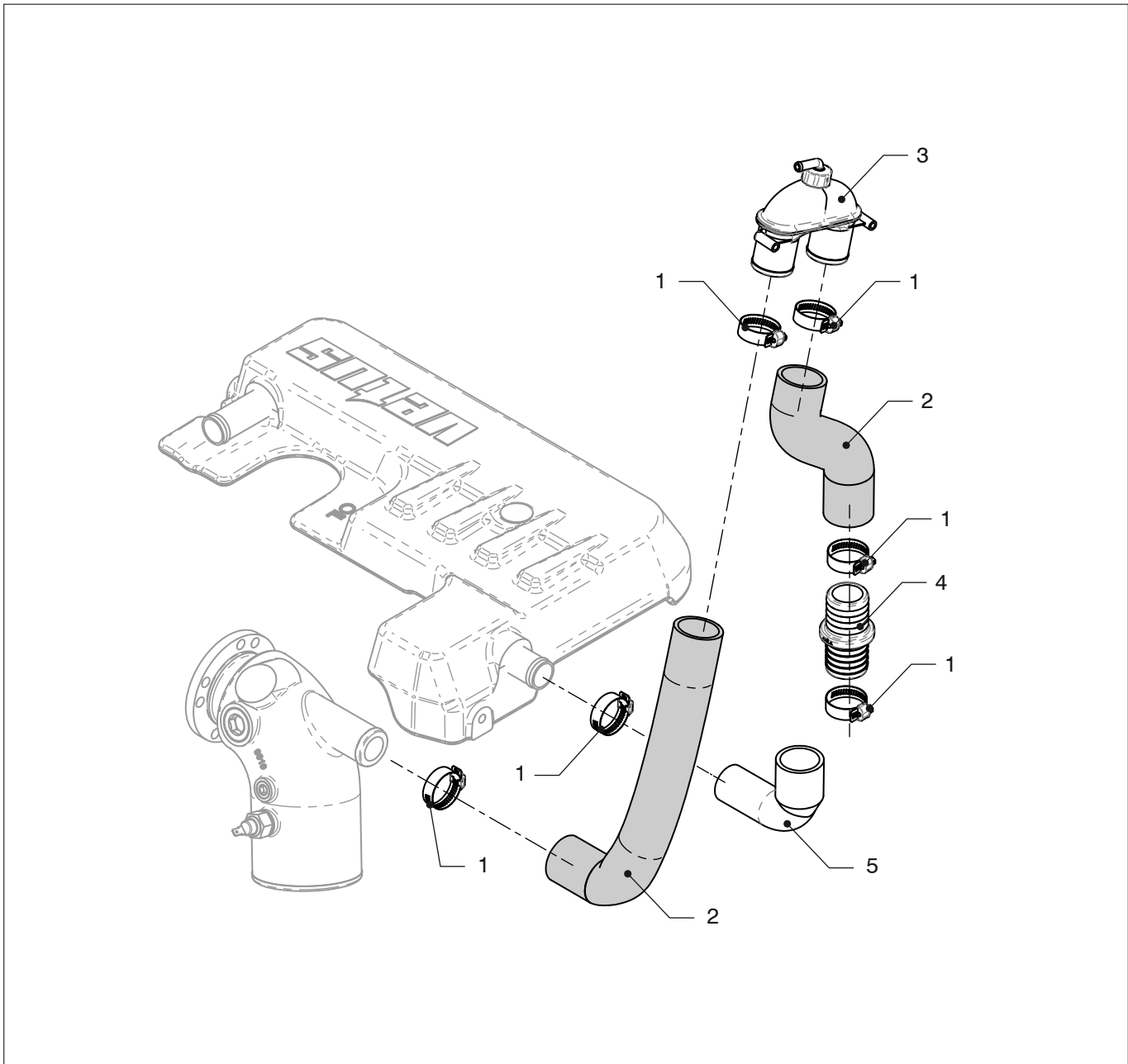
pos.	qty	part	benaming	description
1	1	18-14238	Potentiometer	Potentiometer
2	1	18-14239	Hefboom	Lever
3	1	18-14241	Flensmoer M6	Hex nut with flange M6
4	1	18-14242	Steun	Bracket
5	1	STM1703	Kabelklem	Cable clamp
6	1	STM1806	Kabelnippel	Cable nipple
7	3	STM1807	Koperenring M6	Brass washer M6
8	2	B06185RT	Zeskantbout M6x16	Hexagon head bolt M6x18
9	2	B05255RT	Zeskantbout M5x25	Hexagon head bolt M5x25
10	2	M05BR	Zelfborgende moer M5	Prevailing torque M5
11	2	M06BR	Zelfborgende moer M6	Prevailing torque M6
12	1	STM1808	Splitpen 2x25	Split pin 2x25
13	1	18-14270	Kabelbinder 5x300	Ty-rap 5x300
14	1	18-14240	Potentiometerset compleet	Potentiometer kit cpl.



VD4.120 **VD4.140** **Potentiometer assy 06-2024 ->**
VD6.170 **VD6.210**

Potentiometer assy 06-2024 ->

pos.	qty	part	benaming	description
1	1	18-14242	Beugel	Bracket
2	1	24-28315	Potentiometer	Potentiometer
3	1	24-28319	Kabelboom cmpl	Wire harness cmpl
4	2	STM8730	Bout M6x20	Bolt M6x20
5	2	M06BR	Zelfborgende moer	Prevailing torque
6	1	STM1806	Kabelnippel	Cable nipple
7	2	STM1807	Koperenring M6	Brass washer M6
8	1	STM1808	Splitpen	Split pen
9	2	R061R	Sluitring	Plain washer
10	1	24-28335	Ring	Washer
11	1	18-14270	Kabelbinder 5x300	Ty-rap 5x300
12	1	KABELKL	VETUS kabelklem type 33	VETUS cable clamp type 33



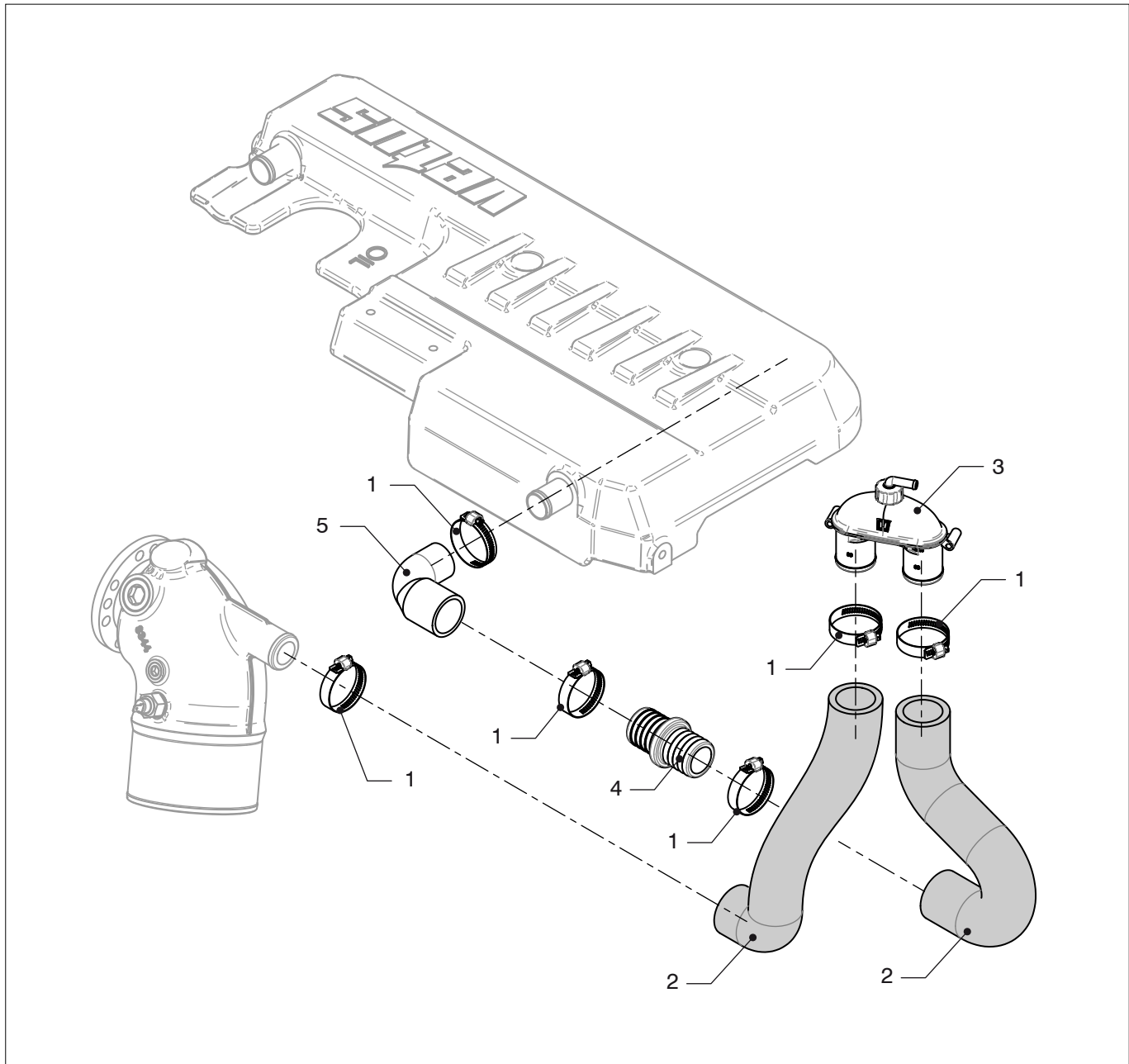
VD4.120

VD4.140

Beluchter

Airvent

pos.	qty	part	benaming	description
1	6	SLKL25	Slangklem	Hose clamp
2	2	MWHOSE38	Slang Ø38mm	Hose Ø38mm
3	1	ASD38	Beluchter	Airvent
4	1	18-14983	Slangverbinder Ø38-Ø38	Tule Ø38-Ø38
5	1	16-4565	Vormslangbocht	Hose bend



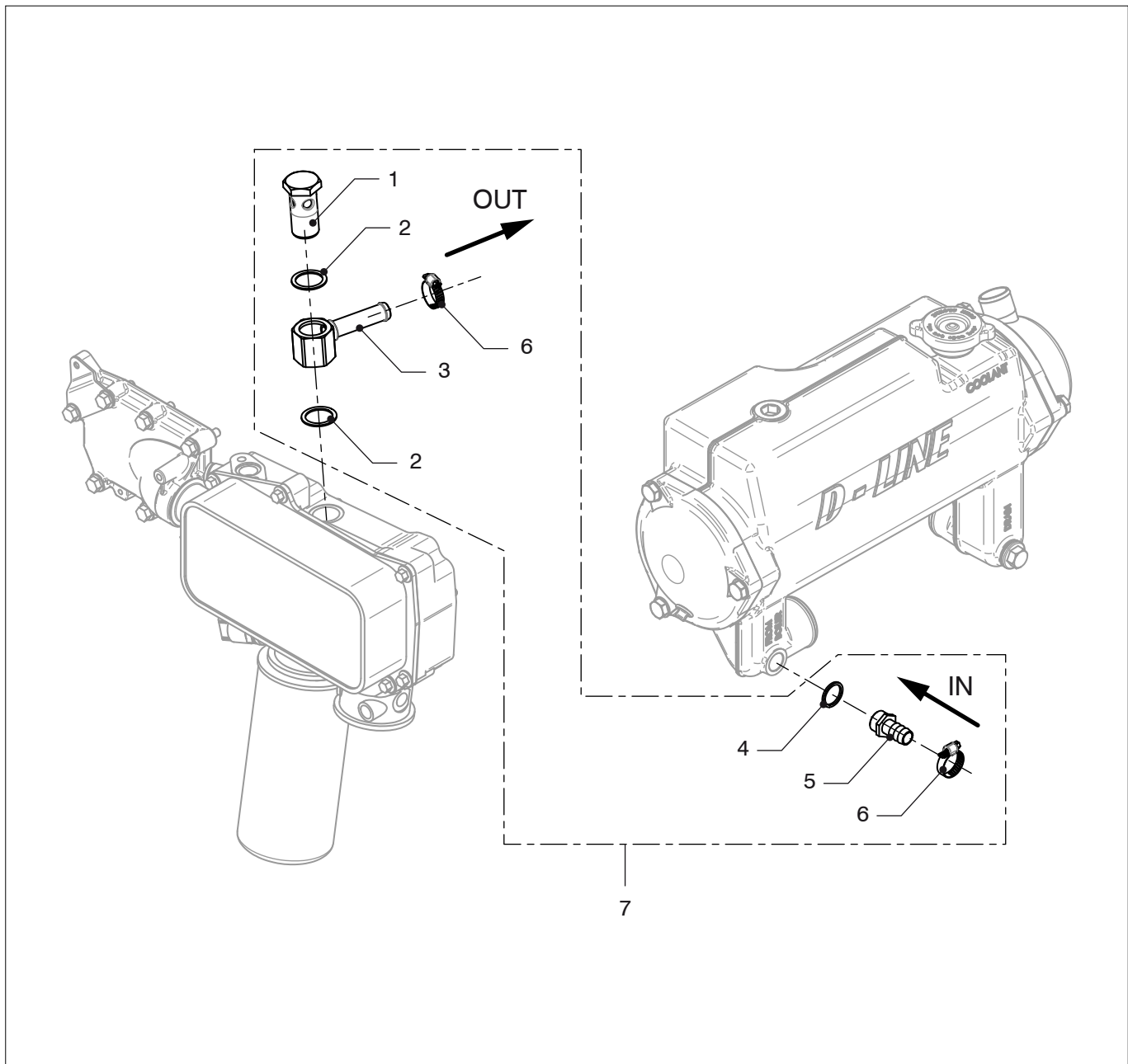
VD6.170

VD6.210

Beluchter

Airvent

pos.	qty	part	benaming	description
1	6	SLKL25	Slangklem	Hose clamp
2	2	MWHOSE38	Slang Ø38	Hose Ø38mm
3	1	ASD38	Beluchter	Airvent
4	1	18-14983	Slangverbinder Ø38-Ø38	Tule Ø38-Ø38
5	1	16-4565	Vormslangbocht (afkorten)	Hose bend (abbreviate)

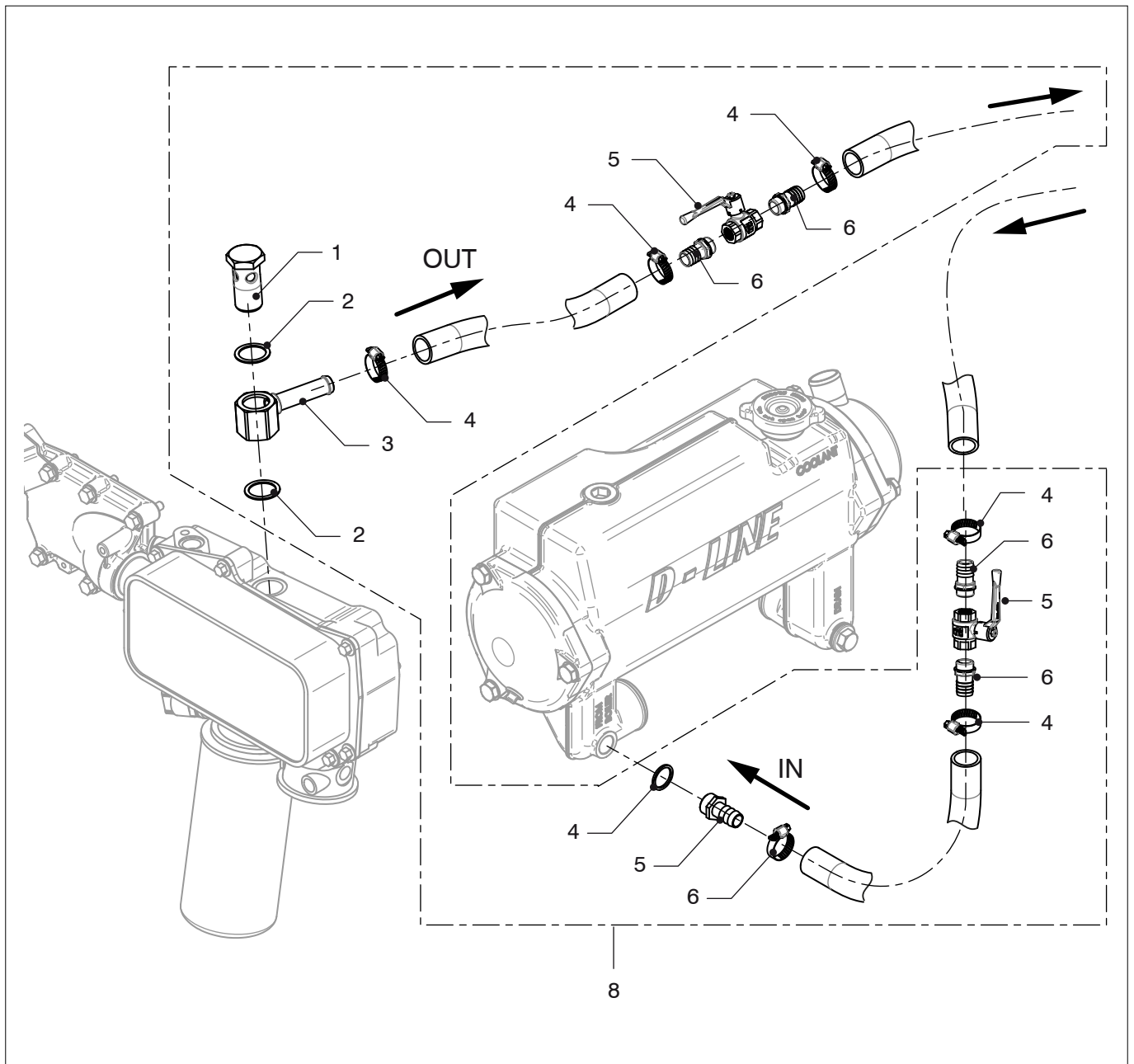


VD4.120 **VD4.140**
VD6.170 **VD6.210**

Boiler aansluiting zonder afsluiters

Boiler connection without valves

pos.	qty	part	benaming	description
1	1	STM8263	Banjo bout M26x1,5	Banjo bolt M26x1,5
2	2	STM6557	Afdichtring M26	Seal washer M26
3	1	STM9741	Banjo oog Ø16	Banjo eye Ø16
4	1	STM8315	Afdichtring G1/2	Seal washer G1/2
5	1	SLP1/219	Slangpilaar G1/2-Ø19	Hose pillar G1/2-Ø19
6	2	HCS20	Slangklem 20-32	Hose clamp 20-32
7	1	DM10002	Boileraansluitset	Boiler connection kit

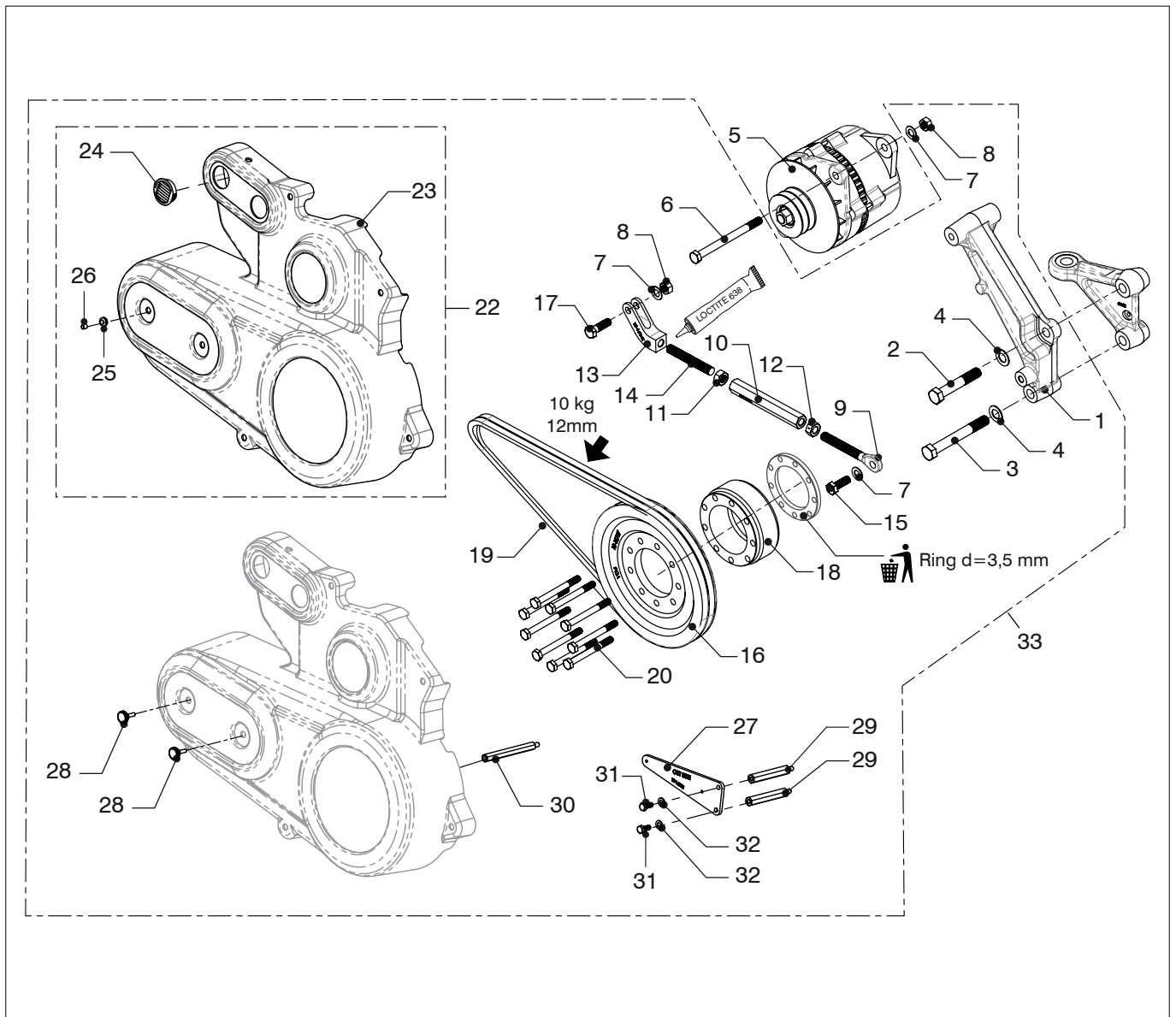


VD4.120 **VD4.140**
VD6.170 **VD6.210**

Boiler aansluiting met afsluiters

Boiler connection with valves

pos.	qty	part	benaming	description
1	1	STM8263	Banjo bout M26x1,5	Banjo bolt M26x1,5
2	2	STM6557	Afdichtring M26	Seal washer M26
3	1	STM9741	Banjo oog Ø16	Banjo eye Ø16
4	6	HCS20	Slangklem 20-32	Hose clamp 20-32
5	2	KRAAN1/2	Afsluiter G1/2	Ball Valve G1/2
6	5	SLP1/219	Slangpilaar G1/2-Ø19	Hose pillar G1/2-Ø19
7	1	STM8315	Afdichtring G1/2	Seal washer G1/2
8	1	DM10003	Boileraansluitset	Boiler connection kit



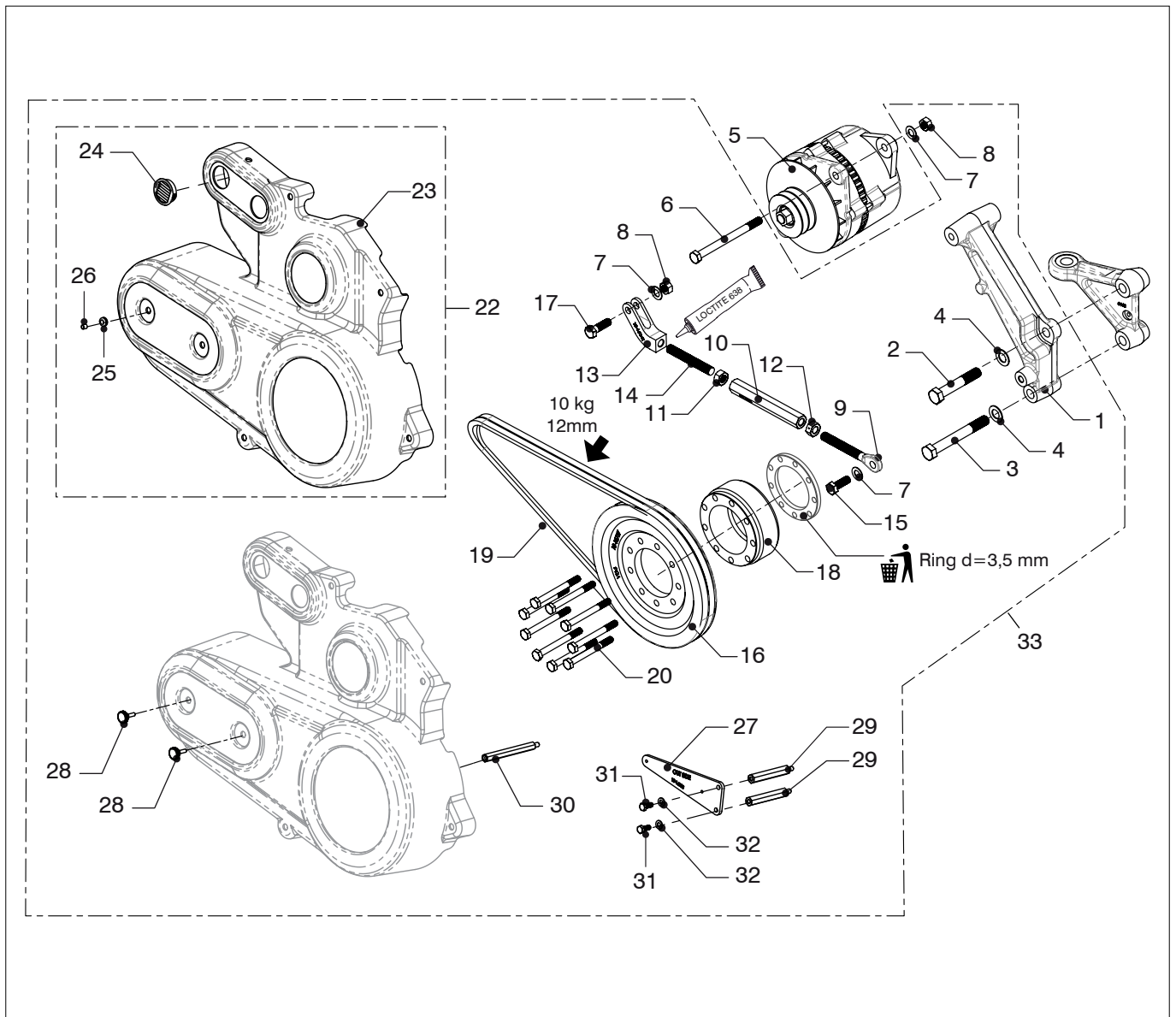
VD4.120

VD4.140

**Tweede dynamo
Whisper power 24V-75A**

**Second alternator
Whisper power 24V-75A**

pos.	qty	part	benaming	description
1	1	18-15006	Steun	Support
2	1	B16905YT	Bout M16x90	Bolt M16x90
3	1	B161305YT	Bout M16x130	Bolt M16x130
4	2	R165Y	Gegolfde veerring M16	Wave spring washer M16
5	1	18-14446	Whisper Power dynamo 24V-75A, incl. regelaar	Whisper Power alternator cpl. 24V-75A, incl. controller
6	1	B121505YT	Bout M12x150	Bolt M12x150
7	3	R125Y	Gegolfde veerring M12	Wave spring washer M12
8	2	M12Y	Moer M12	Nut M12
9	1	18-14976	Stangoog M14 linkse schroefdraad	Rod eye M14 left hand thread
10	1	18-15038	Stelstang M14	Adjusting rod M14
11	1	M14Y	Moer M14	Nut M14
12	1	18-15693	Moer M14 linkse schroefdraad	Nut M14 left hand thread
13	1	18-15041	Gaffel M14	Fork M14
14	1	18-15040	Draadeind M14	Stud M14
15	1	B12355YT	Bout M12x35	Bolt M12x35
16	1	18-14510	Snaarschijf VD4	Pulley VD4
17	1	B12405YT	Bout M12x40	Bolt M12x40
18	1	18-15687	Adapter	Adaptor
19	2	18-15686	V-snaar SPA (13x1350 gelijke lengte)	V-belt SPA (13x1350 equal length)



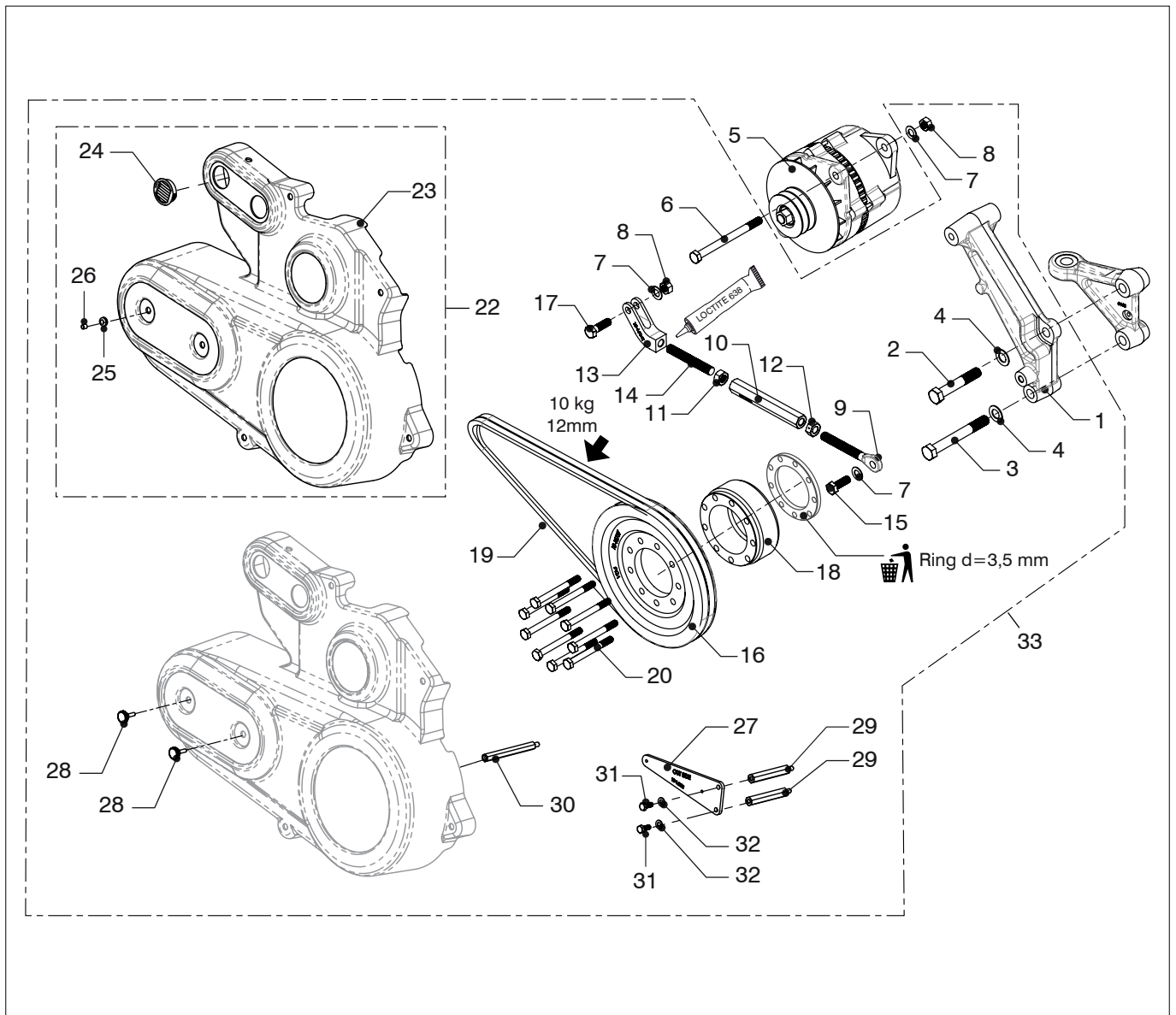
VD4.120

VD4.140

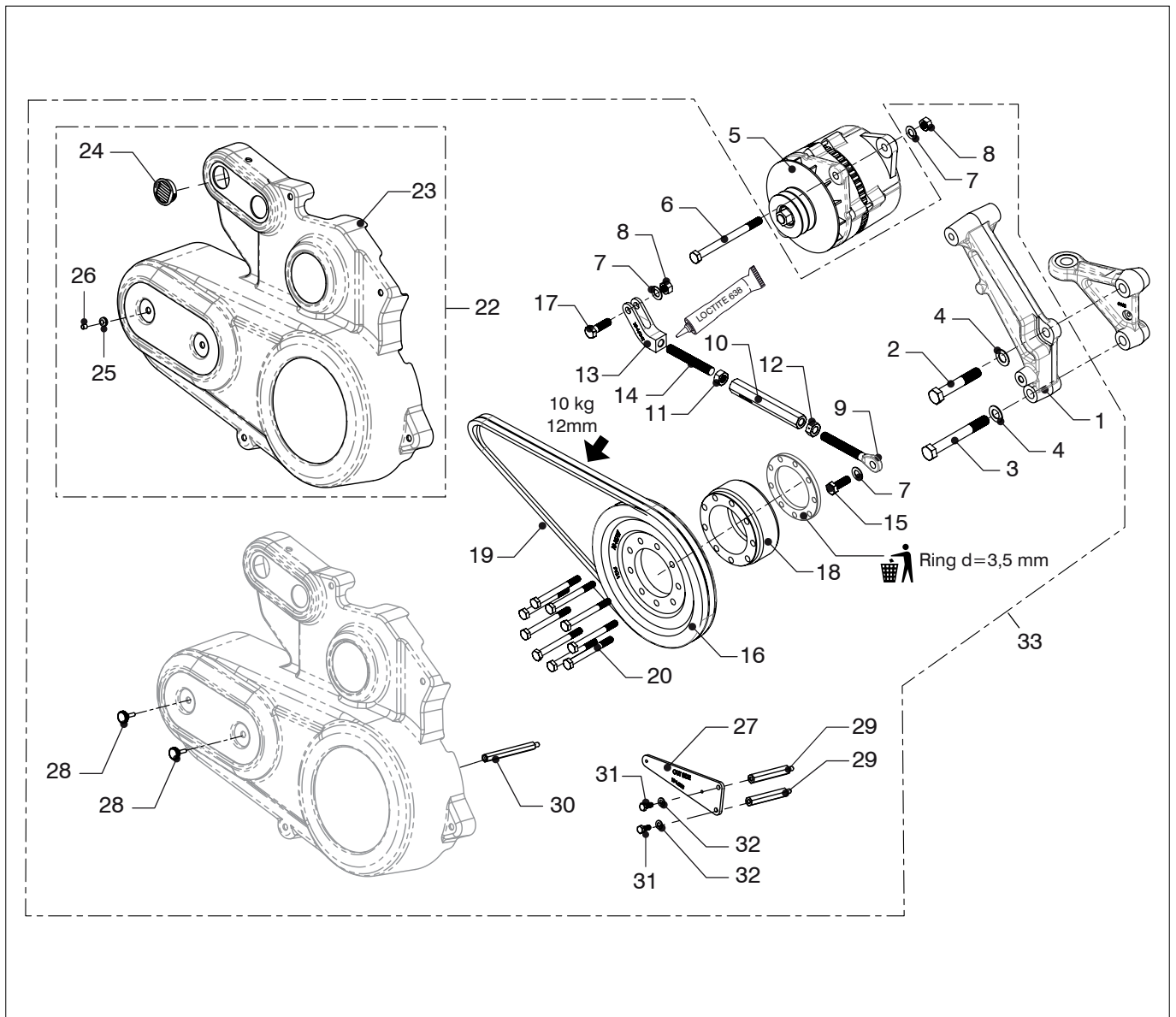
**Tweede dynamo
Whisper power 24V-75A**

**Second alternator
Whisper power 24V-75A**

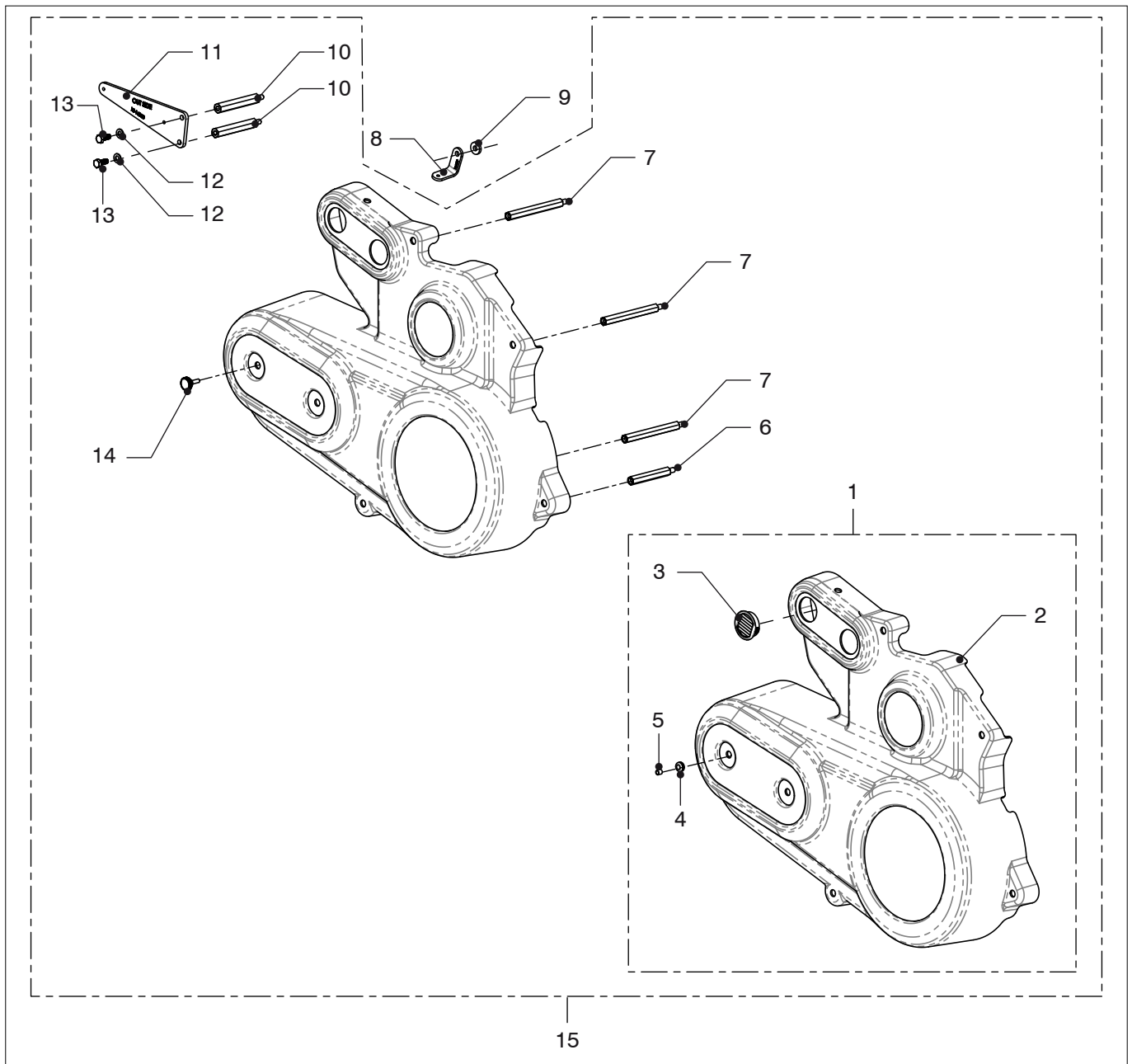
pos.	qty	part	benaming	description
20	9	B10905YT	Bout M10x90	Bolt M10x90
22	1	18-16367	Afschermkap compleet	Protection cover cpl.
23	1	18-15797	Afschermkap	Protection cover
24	2	16-6211	Rooster	Grid
25	7	08-01495	Rubber doorvoer	Rubber tule
26	7	08-01496	Bus l=8	Bush l=8
27	1	18-16333	Steun	Support
28	2	08-01277	Kartelknop M6	Knurled screw M6
29	2	18-16360	Afstandhouder M8 l=93,5	Stud M8 l=93,5
30	1	16-5855	Afstandhouder M8 l=126	Stud M8 l=126
31	2	B08205YT	Zeskant bout M8x20	Hex head bolt M8x20
32	2	R081Y	Gegolfde veerring M8	Wave spring washer M8
33	1	18-15756	Set t.b.v. tweede dynamo VD4 (ex. Nr.5)	Kit for the purpose of second alternator VD4 (excl. No.5)



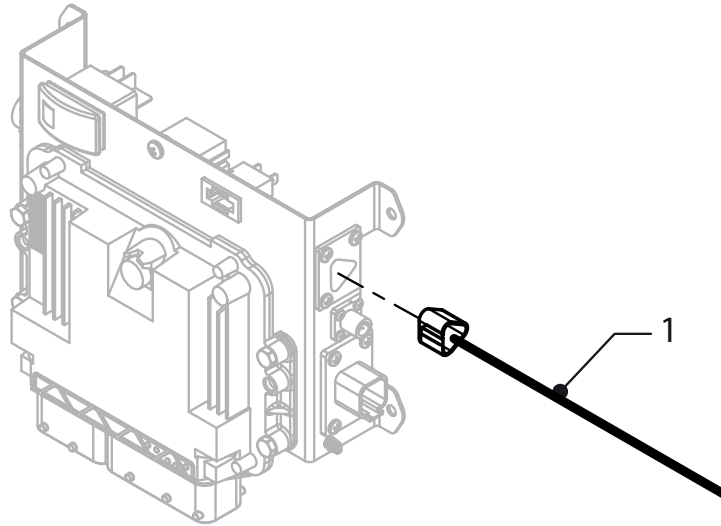
pos.	qty	part	benaming	description
1	1	18-15006	Steun	Support
2	1	B16905YT	Bout M16x90	Bolt M16x90
3	1	B161305YT	Bout M16x130	Bolt M16x130
4	2	R165Y	Gegolde veerring M16	Wave spring washer M16
5	1	18-14446	Whisper Power dynamo 24V-75A,incl. regelaar	Whisper Power alternator cpl. 24V-75A,incl. controller
6	1	B121505YT	Bout M12x150	Bolt M12x150
7	3	R125Y	Gegolde veerring M12	Wave spring washer M12
8	2	M12Y	Moer M12	Nut M12
9	1	18-14976	Stangoog M14 linkse schroefdraad	Rod eye M14 left hand thread
10	1	18-15038	Stelstang M14	Adjusting rod M14
11	1	M14Y	Moer M14	Nut M14
12	1	18-15693	Moer M14 linkse schroefdraad	Nut M14 left hand thread
13	1	18-15041	Gaffel M14	Fork M14
14	1	18-15040	Draadeind M14	Stud M14
15	1	B12355YT	Bout M12x35	Bolt M12x35
16	1	18-15707	Snaarschijf VD6	Pulley VD6
17	1	B12405YT	Bout M12x40	Bolt M12x40
18	1	18-15687	Adapter	Adaptor
19	2	18-15686	V-snaar SPA (13x1350 gelijke lengte)	V-belt SPA (13x1350 equal length)



pos.	qty	part	benaming	description
20	9	B10905YT	Bout M10x90	Bolt M10x90
22	1	18-16367	Afschermkap compleet	Protection cover cpl.
23	1	18-15797	Afschermkap	Protection cover
24	2	16-6211	Rooster	Grid
25	7	08-01495	Rubber doorvoer	Rubber tule
26	7	08-01496	Bus l=8	Bush l=8
27	1	18-16333	Steun	Support
28	2	08-01277	Kartelknop M6	Knurled screw M6
29	2	18-16360	Afstandhouder M8 l=93,5	Stud M8 l=93,5
30	1	16-5855	Afstandhouder M8 l=126	Stud M8 l=126
31	2	B08205YT	Zeskant bout M8x20	Hex head bolt M8x20
32	2	R081Y	Gegolfde veerring M8	Wave spring washer M8
33	1	18-15004	Set t.b.v. tweede dynamo VD6 (ex. Nr.5)	Kit for the purpose of second alternator VD6 (excl. No.5)

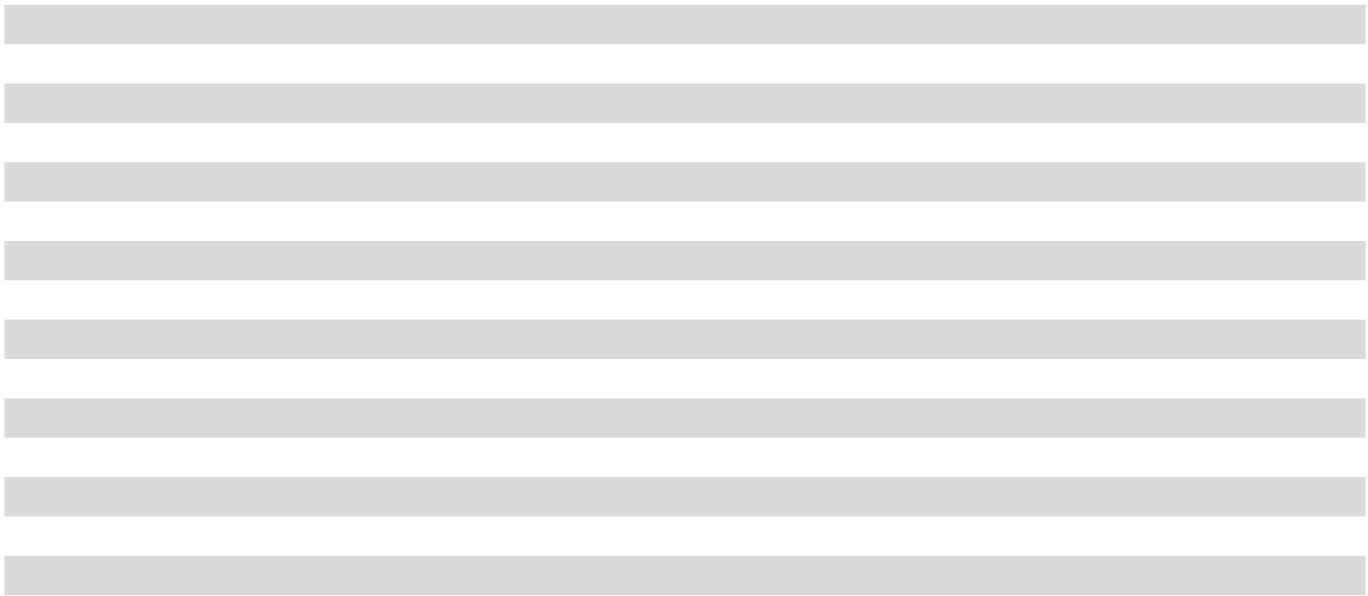


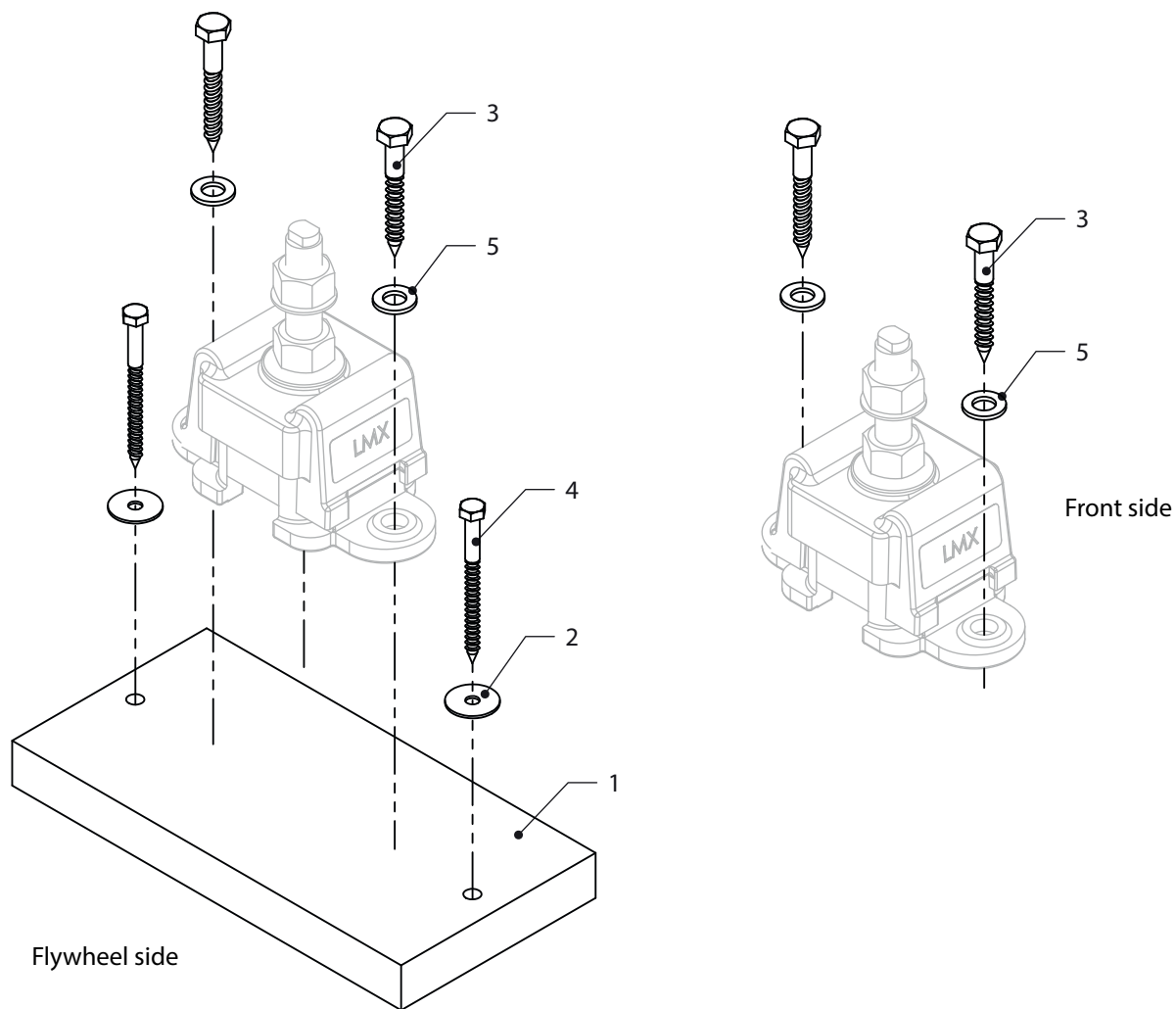
pos.	qty	part	benaming	description
		VD4.120	Afschermkap tweede dynamo	Protection cover second alternator
		VD6.170	Whisper power 24V-75A	Whisper Power 24V-75A
		VD4.140		
		VD6.210		
1	1	18-16367	Afschermkap compleet	Protection cover cpl.
2	1	18-15797	Afschermkap	Protection cover
3	2	16-6211	Rooster	Grid
4	7	08-01495	Rubber doorvoer	Rubber tule
5	7	08-01496	Bus l=8	Bush l=8
6	1	16-5826	Afstandhouder M8 l=90	Stud M8 l=90
7	3	16-5855	Afstandhouder M8 l=126	Stud M8 l=126
8	1	16-5929	Steun	Support
9	1	CT30059	Ring d=4	Washer d=4
10	2	18-16360	Afstandhouder M8 l=93,5	Stud M8 l=93,5
11	1	18-16333	Steun	Support
12	2	R085Y	Gegolfde veerring M8	Wave spring washer M8
13	2	B08205Y	Zeskant bout M8x20	Hex head bolt M8x20
14	7	08-01277	Kartelknop M6	Knurled screw M6
15	1	19-17062	Set afschermkap	Kit protection cover



VD4.120	VD4.140	Stekker gasbediening	Connector throttle
VD6.170	VD6.210		

pos.	qty	part	benaming	description
1	1	19-17339	Stekker + draad	Connector + wire





VD4.120 **VD4.140**
VD6.170 **VD6.210**

Vulling

Spacer

pos.	qty	part	benaming	description
1	2	21-21705	Vulling	Spacer
2	4	22-22349	Ring 30x8x1,5	Plane washer 30x8x1,5
3	8	22-22354	Houtdraibout M10x80	Hex wood screw M10x80
4	4	22-22499	Houtdraibout M8x100	Hex wood screw M8x100
5	8	R121R	Ring 24x13x2,5	Plain washer 24x13x2,5

Register Index

art.nr. / part	pag. page	pos.	art.nr. / part	pag. page	pos.	art.nr. / part	pag. page	pos.	art.nr. / part	pag. page	pos.
08-00042	3-17	18	16-3565	3-16	3	16-4872	3-16	11	16-5929	10-12	8
08-00042	3-19	18	16-3565	3-18	3	16-4874	3-14	1	16-6039	6-9	6
08-01277	2-37	9	16-3571	3-16	10	16-4889	3-4	9	16-6077	3-21	9
08-01277	10-9	28	16-3571	3-18	10	16-4924	3-17	24	16-6079	2-39	18
08-01277	10-11	28	16-3572	3-16	2	16-4969	3-14	2	16-6080	3-15	11
08-01277	10-12	14	16-3572	3-18	2	16-4981	2-32	1	16-6211	2-37	3
08-01387	3-14	10	16-3579	3-16	4	16-4995	6-9	1	16-6211	10-9	24
08-01387	3-15	10	16-3579	3-18	4	16-5023	2-43	10	16-6211	10-11	24
08-01389	2-41	10	16-3595	2-42	4	16-5024	2-43	11	16-6211	10-12	3
08-01487	3-1	13	16-3625	3-14	4	16-5034	3-2	2	16-6248	3-5	1
08-01495	2-37	4	16-3625	3-15	4	16-5034	3-3	2	16-6248	3-9	22
08-01495	10-9	25	16-3774	3-6	1	16-5034	3-6	5	16-6249	3-1	1
08-01495	10-11	25	16-3775	3-6	2	16-5034	3-8	6	16-6249	3-3	17
08-01495	10-12	4	16-3776	3-6	3	16-5039	3-15	14	16-6320	2-43	1
08-01496	2-37	5	16-4099	2-38	1	16-5091	3-4	10	16-6380	4-5	1
08-01496	10-9	26	16-4099	2-39	1	16-5143	2-44	21	16-6381	2-45	9
08-01496	10-11	26	16-4116	2-38	9	16-5145	2-46	2	16-6382	2-33	9
08-01496	10-12	5	16-4116	2-39	9	16-5172	2-46	9	16-6394	4-5	2
15-2768	2-47	1	16-4198	3-5	11	16-5172	2-47	7	16-6836	4-5	9
15-2770	3-3	1	16-4205	3-5	8	16-5181	2-39	15	16-6864	4-5	14
15-2787	3-8	1	16-4258	1-1	7	16-5203	3-4	8	16-6869	4-5	12
15-2789	3-15	1	16-4258	1-2	7	16-5227	2-38	15	16-6878	4-5	13
15-2790	3-8	2	16-4258	4-8	22	16-5451	2-42	1	16-6923	4-13	18
15-2795	3-2	1	16-4258	4-10	22	16-5573	4-7	1	16-6923	4-14	18
16-3259	4-7	5	16-4259	3-8	5	16-5573	4-9	1	16-6923	4-15	18
16-3259	4-13	2	16-4268	2-37	2	16-5600	3-2	3	16-6923	4-16	18
16-3314	4-7	15	16-4489	3-5	13	16-5600	3-3	3	16-6923M	4-13	17
16-3314	4-9	15	16-4507	2-37	1	16-5600	3-20	6	16-6923M	4-15	17
16-3315	4-7	12	16-4565	3-19	24	16-5600	3-21	6	16-6923MV	4-14	17
16-3322	3-1	8	16-4565	10-4	5	16-5618	2-45	1	16-6923MV	4-16	17
16-3333	3-1	3	16-4565	10-5	5	16-5826	2-37	6	16-6924	4-13	16
16-3333	3-14	3	16-4569	3-15	2	16-5826	10-12	6	16-6924	4-14	16
16-3333	3-15	3	16-4608	2-45	13	16-5855	2-37	7	16-6924	4-15	16
16-3338	3-20	3	16-4712	3-16	13	16-5855	10-9	30	16-6924	4-16	16
16-3338	3-21	3	16-4712	3-18	13	16-5855	10-11	30	16-6930	3-8	3
16-3340	3-21	2	16-4713	3-16	12	16-5855	10-12	7	16-6931	3-2	4
16-3347	3-18	11	16-4713	3-18	12	16-5888	2-38	8	16-6931	3-3	4
16-3356	3-19	19	16-4720	2-33	1	16-5888	2-39	8	16-6932	3-6	6
16-3365	3-4	4	16-4791	3-6	4	16-5892	4-5	8	16-6977	2-41	8
16-3365	3-5	4	16-4797	2-46	1	16-5911	2-38	7	16-7018	3-4	13
16-3368	3-19	20	16-4801	3-20	2	16-5911	2-39	7	16-7061	4-6	1
16-3370	2-47	2	16-4806	3-17	21	16-5920	2-38	4	16-7161	2-41	6
16-3373	2-47	4	16-4806	3-19	21	16-5920	2-39	4	16-7210	4-6	19
16-3466	3-5	9	16-4809	3-17	19	16-5929	2-37	8	16-7210	4-13	3
16-3467	3-5	10	16-4812	3-17	20	16-5929	4-7	8	16-7210	4-14	3
16-3468	3-8	4	16-4823	3-4	11	16-5929	4-9	8	16-7210	4-15	3

art.nr. / part	pag. page	pos.	art.nr. / part	pag. page	pos.	art.nr. / part	pag. page	pos.	art.nr. / part	pag. page	pos.
16-7210	4-16	3	17-9689	4-6	18	18-15693	10-8	12	365199	2-9	8
16-7217	4-6	17	17-9701	3-14	11	18-15693	10-10	12	365299	6-6	19
16-7219	4-6	16	17-9711	3-14	12	18-15707	10-10	16	ASD38	10-4	3
16-7220	4-6	14	17-9723	3-14	16	18-15756	10-9	33	ASD38	10-5	3
16-7242	4-6	12	17-9742	2-41	2	18-15797	10-9	23	B03083RK	4-6	13
16-7472	3-4	1	17-9755	3-14	14	18-15797	10-11	23	B04103RK	4-6	15
16-7472	3-7	21	17-9889	4-9	5	18-15797	10-12	2	B05083RK	4-6	8
16-7473	3-1	1	17-9889	4-15	2	18-15868	5-1	5	B05105RT4	2-32	8
16-7473	3-2	17	17-9889	4-16	2	18-15868	5-2	5	B05105YT	2-33	2
16-7475	2-43	9	17-9893	4-9	12	18-15868	5-2	5	B05127Y	4-5	7
16-7476	2-32	9	18-14238	10-2	1	18-15868	5-3	5	B05255RT	10-2	9
16-7478	2-38	18	18-14239	10-2	2	18-16333	10-9	27	B05307Y	2-38	5
16-8629	3-14	13	18-14240	10-2	14	18-16333	10-11	27	B05307Y	2-39	5
17-10187	2-42	11	18-14241	10-2	3	18-16333	10-12	11	B06165YT	2-44	23
17-10200	6-6	1	18-14242	10-2	4	18-16360	10-9	29	B06165YT	2-45	15
17-10209	2-41	7	18-14242	10-3	1	18-16360	10-11	29	B06165YT	2-46	4
17-10327	3-17	27	18-14270	10-2	13	18-16360	10-12	10	B06165YT	3-17	22
17-10327	3-19	27	18-14270	10-3	11	18-16367	10-9	22	B06165YT	3-19	22
17-10657	3-3	7	18-14330	10-1	13	18-16367	10-11	22	B06167Y	2-41	11
17-10657	3-8	7	18-14446	10-8	5	18-16367	10-12	1	B06185RT	10-2	8
17-10978	3-2	9	18-14446	10-10	5	19-16600	4-5	21	B06207Y	6-6	8
17-10978	3-6	7	18-14510	10-8	16	19-16625	4-5	20	B06207Y	6-7	7
17-11213	2-38	18	18-14649	3-2	7	19-17062	10-12	15	B06255R	4-6	2
17-13023	6-6	4	18-14649	3-3	5	19-17339	10-13	1	B06257Y	3-16	14
17-13023	6-7	4	18-14705	6-7	1	19-18076	3-18	3	B06257Y	3-18	14
17-13024	6-6	5	18-14706	6-7	8	21-20830	2-32	15	B06257Y	4-5	15
17-13578	4-14	2	18-14716	3-1	2	21-20830	2-33	15	B06305YT	2-46	6
17-7378	2-41	1	18-14976	10-8	9	21-21053	2-42	15	B06307Y	3-4	14
17-7565	3-20	9	18-14976	10-10	9	21-21506	3-6	12	B06405YT	4-5	3
17-8214	6-10	3	18-14983	10-4	4	21-21506	3-8	12	B06407Y	3-5	14
17-8228	6-10	2	18-14983	10-5	4	21-21705	10-14	1	B065Y	3-17	23
17-8246	6-10	4	18-15004	10-11	33	22-22169	2-45	16	B065Y	3-19	23
17-8504	4-6	4	18-15006	10-8	1	22-22217	2-44	24	B081205Y	2-43	13
17-8508	1-1	1	18-15006	10-10	1	22-22349	10-14	2	B081205Y	3-16	7
17-8508	1-2	1	18-15038	10-8	10	22-22354	10-14	3	B081205Y	3-18	7
17-8508	2-5	21	18-15038	10-10	10	22-22499	10-14	4	B08165YT	2-38	2
17-8509	1-1	2	18-15040	10-8	14	22-23347	2-38	20	B08165YT	2-39	2
17-8509	1-2	2	18-15040	10-10	14	22-23347	2-39	20	B08165YT	2-43	4
17-8509	6-9	11	18-15041	10-8	13	22-23348	2-38	19	B08165YT	2-43	6
17-8512	2-5	21	18-15041	10-10	13	22-23348	2-39	19	B08165YT	2-44	17
17-8629	3-15	12	18-15103	6-9	5	22-23671	2-38	21	B08165YT	2-44	20
17-8637	4-6	5	18-15120	6-6	9	22-23671	2-39	21	B08165YT	2-45	4
17-8652	6-10	5	18-15643	4-8	19	22-23672	2-38	10	B08165YT	2-45	6
17-8897	3-14	7	18-15643	4-10	19	22-23672	2-39	10	B08165YT	2-47	6
17-8897	3-15	7	18-15686	10-8	19	24-28315	10-3	2	B08165YT	3-4	5
17-9415	2-38	9	18-15686	10-10	19	24-28319	10-3	3	B08165YT	3-5	5
17-9415	2-39	9	18-15687	10-8	18	24-28335	10-3	10	B08165YT	3-16	16
17-9416	2-39	18	18-15687	10-10	18	340VTEB	6-10	1	B08165YT	3-18	16

art.nr. / part	pag. page	pos.	art.nr. / part	pag. page	pos.	art.nr. / part	pag. page	pos.	art.nr. / part	pag. page	pos.
B08165YT	4-8	20	B12405YT	10-8	17	CT50080	3-19	26	DZ01025	2-7	15
B08165YT	4-10	20	B12405YT	10-10	17	CT50081	5-4	10	DZ01026	2-7	16
B08167Y	2-43	8	B12505Y	4-9	16	DM10002	10-6	7	DZ01026	2-8	8
B08167Y	2-45	8	B1255Y	6-9	7	DM10003	10-7	8	DZ01027	2-7	17
B08205Y	10-12	13	B12705Y	4-7	10	DM10006	3-12	1	DZ01028	2-7	18
B08205YT	2-42	5	B12705Y	4-9	10	DM10006	3-13	1	DZ01040	2-8	1
B08205YT	2-45	12	B161305YT	10-8	3	DM10007	1-1	3	DZ01041	2-8	2
B08205YT	3-4	6	B161305YT	10-10	3	DM10007	1-2	3	DZ01042	2-8	3
B08205YT	3-5	6	B16755Y	2-40	7	DM10008	3-13	3	DZ01043	2-8	4
B08205YT	6-9	2	B16905YT	10-8	2	DM10009	3-12	4	DZ01044	2-8	5
B08205YT	10-9	31	B16905YT	10-10	2	DM10009	3-13	4	DZ01050	2-9	1
B08205YT	10-11	31	BFUSE03	4-5	17	DM10010	3-12	3	DZ01051	2-9	2
B08255YT	3-1	7	BFUSE03	4-13	9	DM10012	3-12	7	DZ01052	2-9	3
B08255YT	3-6	15	BFUSE03	4-14	9	DM10012	3-13	7	DZ01053	2-9	4
B08255YT	3-9	17	BFUSE03	4-15	9	DM10013	1-1	4	DZ01054	2-9	5
B08305YT	3-4	2	BFUSE03	4-16	9	DM10013	1-2	4	DZ01055	2-9	6
B08305YT	3-5	2	BFUSE07	4-6	11	DM10015	3-12	10	DZ01063	2-10	1
B08355YT	3-1	10	BFUSE07	4-13	12	DM10015	3-13	10	DZ01064	2-10	2
B08505Y	4-5	10	BFUSE07	4-14	12	DM10016	3-12	11	DZ01065	2-10	3
B08605YT	3-12	15	BFUSE07	4-15	12	DM10016	3-13	11	DZ01066	2-10	4
B08605YT	3-13	15	BFUSE07	4-16	12	DM10021	1-1	5	DZ01069	2-10	5
B08707Y	2-43	14	BFUSE10	4-5	19	DM10021	1-2	5	DZ01070	2-10	6
B08855Y	4-7	6	BFUSE10	4-13	11	DM10032	2-42	8	DZ01071	2-10	7
B08855Y	4-9	6	BFUSE10	4-14	11	DM10032	2-42	10	DZ01072	2-10	8
B08905Y	3-6	16	BFUSE10	4-15	11	DM10160	2-42	9	DZ01073	2-10	9
B08905Y	3-9	18	BFUSE10	4-16	11	DM10161	2-42	12	DZ01074	2-10	10
B101105Y	3-1	12	BFUSE25	4-5	18	DM10162	2-42	13	DZ01075	2-10	11
B10255YT	3-1	5	BFUSE25	4-13	10	DM10164	2-42	14	DZ01084	2-10	12
B10255YT	3-14	18	BFUSE25	4-14	10	DZ01001	2-6	1	DZ01088	2-8	6
B10255YT	3-15	16	BFUSE25	4-15	10	DZ01001	2-6	1	DZ01090	2-8	7
B10355Y	3-2	5	BFUSE25	4-16	10	DZ01002	2-6	2	DZ01097	2-9	7
B10355Y	3-3	16	BP255	4-6	10	DZ01002	2-6	2	DZ02001	2-11	1
B10355Y	3-7	17	CT30059	2-37	10	DZ01003	2-6	3	DZ02002	2-11	2
B10355Y	3-9	20	CT30059	4-7	9	DZ01003	2-6	3	DZ02003	2-11	3
B10355Y	3-14	5	CT30059	4-9	9	DZ01004	2-6	4	DZ02003	2-11	3
B10355Y	3-15	5	CT30059	10-12	9	DZ01005	2-6	5	DZ02004	2-11	4
B1035RIPPB	4-8	25	CT30112	3-17	25	DZ01006	2-6	6	DZ02004	2-11	4
B1035RIPPB	4-10	25	CT30112	3-19	25	DZ01006	2-6	6	DZ02005	2-11	5
B10455Y	4-7	2	CT40058	5-4	14	DZ01008	2-6	7	DZ02009	2-11	6
B10455Y	4-9	2	CT50003	5-1	10	DZ01009	2-6	8	DZ02010	2-11	1
B10905YT	10-9	20	CT50021	5-1	2	DZ01010	2-6	9	DZ05001	2-12	1
B10905YT	10-11	20	CT50021	5-2	2	DZ01010	2-6	9	DZ05002	2-12	2
B121505YT	10-8	6	CT50021	5-2	2	DZ01012	2-6	10	DZ05002	2-12	2
B121505YT	10-10	6	CT50021	5-3	2	DZ01012	2-6	10	DZ05003	2-12	3
B12355YT	10-8	15	CT50026	5-3	2	DZ01014	2-6	11	DZ05005	2-12	4
B12355YT	10-10	15	CT50079	3-17	26	DZ01016	2-6	12	DZ05006	2-12	1
B12405Y	2-40	5	CT50079	3-19	26	DZ01017	2-7	13	DZ05010	2-13	8
B12405Y	4-7	16	CT50080	3-17	26	DZ01024	2-7	14	DZ05010	2-14	4

art.nr. / part	pag. page	pos.	art.nr. / part	pag. page	pos.	art.nr. / part	pag. page	pos.	art.nr. / part	pag. page	pos.
DZ05012	2-14	1	DZ08033	2-20	3	DZ15007	2-4	7	DZ20005	6-3	5
DZ05013	2-14	2	DZ08033	2-21	3	DZ15008	2-4	8	DZ21001	6-4	1
DZ05019	2-14	3	DZ08034	2-20	4	DZ15009	2-4	9	DZ21001	6-4	1
DZ05020	2-13	1	DZ08034	2-21	4	DZ15010	2-4	10	DZ21002	6-4	2
DZ05021	2-13	2	DZ08035	2-20	5	DZ15011	2-4	11	DZ21002	6-4	2
DZ05022	2-13	3	DZ08035	2-21	5	DZ15012	2-4	12	DZ21003	6-4	3
DZ05023	2-13	4	DZ08036	2-20	6	DZ15013	2-4	13	DZ21004	6-4	4
DZ05024	2-13	5	DZ08036	2-21	6	DZ15014	2-4	14	DZ21005	6-4	5
DZ05027	2-13	7	DZ08037	2-20	7	DZ150146	2-4	14	DZ21005	6-4	5
DZ05027	2-14	5	DZ08037	2-21	7	DZ15015	2-4	15	DZ21006	6-4	6
DZ05035	2-13	6	DZ08038	2-18	10	DZ15016	2-4	16	DZ21007	6-4	7
DZ05040	2-15	1	DZ08040	2-20	8	DZ15019	2-5	19	DZ21008	6-4	8
DZ05041	2-15	2	DZ08041	2-20	9	DZ15020	2-5	20	DZ21009	6-4	9
DZ05042	2-15	3	DZ08051	2-21	8	DZ15022	2-5	22	DZ21010	6-4	10
DZ05043	2-15	4	DZ08052	2-21	9	DZ15023	2-5	23	DZ21011	6-5	1
DZ06001	2-16	1	DZ08055	2-21	10	DZ15024	2-5	24	DZ21012	6-5	2
DZ06002	2-16	2	DZ08056	2-21	11	DZ15025	2-5	25	DZ21013	6-5	3
DZ06003	2-16	3	DZ09001	2-22	1	DZ15026	2-5	26	DZ21014	6-5	4
DZ06005	2-16	4	DZ09002	2-22	2	DZ15027	2-5	27	DZ21015	6-5	5
DZ07002	2-17	2	DZ09003	2-22	3	DZ15028	2-5	28	DZ21016	6-5	6
DZ07003	2-17	3	DZ09004	2-22	4	DZ15029	2-5	29	DZ21037	6-5	7
DZ07004	2-17	4	DZ09007	2-22	5	DZ15041	2-5	30	DZ21038	6-5	8
DZ08001	2-18	1	DZ09008	2-22	6	DZ15042	2-5	31	DZ21054	6-4	11
DZ08002	2-18	2	DZ09009	2-22	7	DZ15043	2-5	32	DZ21054A	6-4	13
DZ08003	2-18	3	DZ10001	2-23	1	DZ15044	2-5	33	DZ21054B	6-4	14
DZ08004	2-18	4	DZ10002	2-23	1	DZ16001	2-3	1	DZ21055	6-4	12
DZ08005	2-18	5	DZ11003	2-24	10	DZ16002	2-3	2	DZ22001	2-25	1
DZ08006	2-18	6	DZ11003	2-24	10	DZ16003	2-3	3	DZ22002	2-26	2
DZ08007	2-18	7	DZ11007	2-24	1	DZ16004	2-3	4	DZ22003	2-26	1
DZ08008	2-18	8	DZ11007	2-24	1	DZ17002	6-1	2	DZ22004	2-25	3
DZ08011	2-18	11	DZ11008	2-24	2	DZ17003	6-1	3	DZ22004	2-26	4
DZ08012	2-18	12	DZ11008	2-24	2	DZ17004	6-1	4	DZ22005	2-25	4
DZ08013	2-18	13	DZ11009	2-24	3	DZ17005	6-1	5	DZ22005	2-26	5
DZ08014	2-18	14	DZ11009	2-24	3	DZ17010	6-1	6	DZ22008	2-25	5
DZ08015	2-18	15	DZ11011	2-24	4	DZ17011	6-1	7	DZ22009	2-25	6
DZ08016	2-19	16	DZ11012	2-24	5	DZ17013	6-1	8	DZ22012	2-26	6
DZ08016	2-19	16	DZ11012	2-24	5	DZ17014	6-1	9	DZ22013	2-26	7
DZ08017	2-19	17	DZ11013	2-24	6	DZ17015	6-1	10	DZ22025	2-26	9
DZ08022	2-19	21	DZ11016	2-24	7	DZ17016	6-1	11	DZ22026	2-25	7
DZ08023	2-19	22	DZ11016	2-24	7	DZ17020	6-1	12	DZ22026	2-26	8
DZ08024	2-19	23	DZ11017	2-24	8	DZ19002	6-2	2	DZ22026	2-35	10
DZ08024	2-19	23	DZ11018	2-24	9	DZ19003	6-2	3	DZ22027	2-25	8
DZ08030	2-20	1	DZ15001	2-4	1	DZ19004	6-2	4	DZ22028	2-25	9
DZ08030	2-21	1	DZ15002	2-4	2	DZ19005	6-2	5	DZ22028	2-26	10
DZ08031	2-20	10	DZ15003	2-4	3	DZ20001	6-3	1	DZ22029	2-25	10
DZ080316	2-21	12	DZ15004	2-4	4	DZ20002	6-3	2	DZ22029	2-26	11
DZ08032	2-20	2	DZ15005	2-4	5	DZ20003	6-3	3	DZ22030	2-25	2
DZ08032	2-21	2	DZ15006	2-4	6	DZ20004	6-3	4	DZ22030	2-26	3

art.nr. / part	pag. page	pos.	art.nr. / part	pag. page	pos.	art.nr. / part	pag. page	pos.	art.nr. / part	pag. page	pos.
DZ27015	2-27	1	DZ47098	4-3	3	DZ48072	4-3	1	DZ90002	2-2	1
DZ27016	2-27	1	DZ48001	4-1	1	DZ48082	4-4	2	EC3E3MD	4-13	19
DZ37001	3-10	1	DZ48003	4-1	2	DZ48085	4-4	3	EC3E3MD	4-14	19
DZ37002	3-10	2	DZ48004	4-1	3	DZ48085	4-4	3	EC3E3MD	4-15	19
DZ37003	3-10	3	DZ48005	4-1	4	DZ48086	4-4	4	EC3E3MD	4-16	19
DZ37004	3-10	4	DZ48006	4-1	5	DZ48087	4-4	5	ECSBC05	4-13	20
DZ37006	3-10	5	DZ48007	4-1	6	DZ48087	4-4	5	ECSBC05	4-14	20
DZ37010	3-10	9	DZ48010	4-2	1	DZ48089	4-4	6	ECSBC05	4-15	20
DZ37012	3-10	10	DZ48016	4-2	2	DZ48090	4-4	7	ECSBC05	4-16	20
DZ37013	3-10	6	DZ48020	4-1	7	DZ48091	4-4	8	ECSBCC	4-13	21
DZ37016	3-10	7	DZ48021	4-4	1	DZ48092	4-4	9	ECSBCC	4-14	21
DZ38001	3-11	1	DZ48021	4-4	1	DZ48141	4-4	10	ECSBCC	4-15	21
DZ38002	3-11	2	DZ48022	4-1	8	DZ48144	4-4	11	ECSBCC	4-16	21
DZ38003	3-11	3	DZ48025	4-1	9	DZ48145	4-2	14	EXPT1,5U	3-1	19
DZ38004	3-11	4	DZ48029	4-1	10	DZ48145	4-2	14	FFS1300	6-10	6
DZ38005	3-11	5	DZ48035	4-1	11	DZ52001	2-31	1	GFEC010PR	6-6	18
DZ38006	3-11	6	DZ48036	4-1	12	DZ52002	2-31	2	GFEC010PR	6-8	21
DZ38011	3-11	7	DZ48037	4-1	13	DZ52003	2-31	3	GFEC010PY	2-38	14
DZ38012	3-11	8	DZ48038	4-1	14	DZ52004	2-31	4	GFEC010PY	2-39	14
DZ41001	2-28	1	DZ48039	4-1	15	DZ52007	2-31	5	GFEC012PR	6-6	14
DZ41001	2-29	1	DZ48040	4-1	16	DZ52008	2-31	6	GFEC012PR	6-8	17
DZ41002	2-28	2	DZ48041	4-1	17	DZ52009	2-31	7	HCHD079	3-4	12
DZ41002	2-29	2	DZ48042	4-1	18	DZ63002	2-34	3	HCHD079	3-5	12
DZ41003	2-28	3	DZ48049	4-3	2	DZ63002	2-35	3	HCHD079	3-5	15
DZ41004	2-29	3	DZ48049-6	4-13	15	DZ63003	2-34	1	HCS20	10-6	6
DZ41005	2-28	4	DZ48049-6	4-14	15	DZ63003	2-35	1	HCS20	10-7	4
DZ41005	2-29	4	DZ48049-6	4-15	15	DZ63005	2-34	4	HT5033	3-17	25
DZ41006	2-28	5	DZ48049-6	4-16	15	DZ63006	2-34	9	HT5033	3-19	25
DZ41006	2-29	5	DZ48050	4-2	3	DZ63006	2-35	9	JX200041	4-11	8
DZ41007	2-28	6	DZ48050	4-13	14	DZ63007	2-34	2	JX200041	4-12	8
DZ41008	2-28	7	DZ48050	4-14	14	DZ63007	2-35	2	JXE00130	4-11	7
DZ41008	2-29	7	DZ48050	4-15	14	DZ63008	2-35	4	JXE00130	4-12	7
DZ41009	2-28	9	DZ48050	4-16	14	DZ63009	2-34	7	JXM00032	4-11	9
DZ41012	2-28	8	DZ48051	4-2	3	DZ63009	2-35	7	JXM00032	4-12	9
DZ41012	2-29	8	DZ48051	4-13	14	DZ63030	2-34	8	JXM00033	4-11	12
DZ41013	2-29	6	DZ48051	4-14	14	DZ63030	2-35	8	JXM00033	4-12	12
DZ43001	2-36	1	DZ48051	4-15	14	DZ63031	2-34	6	JXP00605	4-11	10
DZ43002	2-36	1	DZ48051	4-16	14	DZ63031	2-35	6	JXP00605	4-12	10
DZ43041	2-36	2	DZ48052	4-2	4	DZ63032	2-34	5	JXP00606	4-11	11
DZ43042	2-36	3	DZ48053	4-2	5	DZ63032	2-35	5	JXP00606	4-12	11
DZ43046	2-36	10	DZ48054	4-2	6	DZ83001	2-30	3	JYN00007	4-11	1
DZ43047	2-36	9	DZ48056	4-2	7	DZ83002	2-30	2	JYN00007	4-12	1
DZ43048	2-36	11	DZ48058	4-2	8	DZ83023	2-30	7	JYN00008	4-11	2
DZ43050	2-36	4	DZ48059	4-2	9	DZ83026	2-30	4	JYN00008	4-12	2
DZ43051	2-36	5	DZ48060	4-2	10	DZ83027	2-30	5	JYN00010	4-11	5
DZ43052	2-36	6	DZ48061	4-2	11	DZ83028	2-30	6	JYN00010	4-12	5
DZ43053	2-36	7	DZ48062	4-2	12	DZ83030	2-30	1	JYN00013	4-12	3
DZ43056	2-36	8	DZ48063	4-2	13	DZ83046	2-30	8	JYN0009	4-11	3

art.nr. / part	pag. page	pos.	art.nr. / part	pag. page	pos.	art.nr. / part	pag. page	pos.	art.nr. / part	pag. page	pos.
JYP0003	4-11	6	MPA34C-ANBS4	4-16	4	R085Y	2-47	5	R142010RK	6-6	15
JYP0003	4-12	6		R085Y	3-1	9	R142020K	2-41	5		
JYP0071	4-11	4	MPKA06	4-13	13	R085Y	3-4	3	R165Y	2-40	8
JYP0071	4-12	4	MPKA06	4-14	13	R085Y	3-5	3	R165Y	10-8	4
KABELKL	10-3	12	MPKA06	4-15	13	R085Y	3-7	19	R165Y	10-10	4
KRAAN1/2	10-7	5	MPKA06	4-16	13	R085Y	3-9	19	R205Y	2-40	10
LMX140	2-40	11	MWHOSE38	10-4	2	R085Y	3-12	16	SLKL25	3-14	15
LMX210	2-40	11	MWHOSE38	10-5	2	R085Y	3-13	16	SLKL25	3-15	13
M05BR	4-6	9	PC-P12NB	3-16	6	R085Y	3-16	8	SLKL25	3-16	1
M05BR	10-2	10	PC-P12NB	3-18	6	R085Y	3-17	17	SLKL25	3-18	1
M06127Y	4-5	16	R051Y	2-38	6	R085Y	3-18	8	SLKL25	10-4	1
M06BR	4-6	3	R051Y	2-39	6	R085Y	3-19	17	SLKL25	10-5	1
M06BR	10-2	11	R061R	10-3	9	R085Y	4-5	11	SLKL60	3-16	5
M06BR	10-3	5	R061Y	6-6	7	R085Y	4-7	7	SLKL60	3-18	5
M06BY	3-14	9	R061Y	6-7	6	R085Y	4-8	21	SLKL90	2-47	3
M06BY	3-15	9	R062Y	2-46	5	R085Y	4-9	7	SLP1/219	10-6	5
M06Y	2-46	8	R062Y	3-14	8	R085Y	4-10	21	SLP1/219	10-7	6
M06Y	3-16	15	R062Y	3-15	8	R085Y	6-9	3	SLPL1410	6-7	11
M06Y	3-18	15	R065Y	2-44	22	R085Y	10-12	12	STM1019	5-4	7
M08Y	2-32	12	R065Y	2-44	25	R101Y	3-14	6	STM1024	2-44	26
M08Y	3-16	9	R065Y	2-45	14	R101Y	3-15	6	STM1024	2-45	18
M08Y	3-18	9	R065Y	2-45	17	R105Y	3-1	4	STM1515	3-2	7
M10Y	4-7	4	R065Y	2-46	3	R105Y	3-1	11	STM1515	3-3	5
M10Y	4-9	4	R065Y	2-46	7	R105Y	3-2	6	STM1703	5-4	4
M12RIPPB	5-1	7	R065Y	4-5	4	R105Y	3-3	15	STM1703	10-2	5
M12RIPPB	5-2	7	R081Y	2-32	11	R105Y	3-7	20	STM1704	5-4	5
M12RIPPB	5-2	7	R081Y	3-4	7	R105Y	3-9	21	STM1705	5-4	6
M12RIPPB	5-3	7	R081Y	3-5	7	R105Y	3-14	17	STM1806	5-4	1
M12Y	4-7	14	R081Y	3-7	18	R105Y	3-15	15	STM1806	10-2	6
M12Y	4-8	18	R081Y	3-8	15	R105Y	4-7	3	STM1806	10-3	6
M12Y	4-9	14	R081Y	10-9	32	R105Y	4-9	3	STM1807	5-4	2
M12Y	4-10	18	R081Y	10-11	32	R121615K	2-41	3	STM1807	10-2	7
M12Y	6-9	10	R082Y	2-43	15	R121R	10-14	5	STM1807	10-3	7
M12Y	10-8	8	R082Y	2-44	18	R125Y	2-40	6	STM1808	5-4	3
M12Y	10-10	8	R082Y	3-8	16	R125Y	4-7	13	STM1808	10-2	12
M14Y	10-8	11	R085Y	2-38	3	R125Y	4-8	17	STM1808	10-3	8
M14Y	10-10	11	R085Y	2-39	3	R125Y	4-9	13	STM2006	2-32	2
M20Y	2-40	9	R085Y	2-42	6	R125Y	4-10	17	STM2006	2-33	3
MPA34C-ANBS2	4-11	13	R085Y	2-43	3	R125Y	6-9	9	STM2019	2-32	3
			R085Y	2-43	5	R125Y	10-8	7	STM2019	2-33	4
MPA34C-ANBS2	4-13	4	R085Y	2-43	7	R125Y	10-10	7	STM2019	2-38	16
			R085Y	2-43	12	R142010K	2-38	11	STM2019	2-39	16
MPA34C-ANBS2	4-14	4	R085Y	2-43	16	R142010K	2-39	11	STM3006	3-20	1
			R085Y	2-44	19	R142010K	2-42	3	STM3006	3-21	1
MPA34C-ANBS4	4-12	13	R085Y	2-45	3	R142010K	6-7	3	STM3066	2-41	9
			R085Y	2-45	5	R142010K	6-7	10	STM3071	2-32	4
MPA34C-ANBS4	4-15	4	R085Y	2-45	7	R142010K	6-8	18	STM3071	2-33	5
			R085Y	2-45	11	R142010RK	6-6	2	STM3258	4-7	11

art.nr. / part	pag. page	pos.	art.nr. / part	pag. page	pos.	art.nr. / part	pag. page	pos.	art.nr. / part	pag. page	pos.
STM3258	4-9	11	STM7077	5-3	8	STM8305	3-2	10	STM9003	5-2	3
STM3258	6-9	8	STM7285	2-32	16	STM8305	3-3	8	STM9003	5-2	1
STM3518	2-38	13	STM7285	2-33	16	STM8305	3-6	8	STM9003	5-2	3
STM3518	2-39	13	STM8117	2-40	1	STM8305	3-8	8	STM9003	5-3	1
STM3518	2-41	4	STM8118	2-40	2	STM8307	3-2	11	STM9003	5-3	3
STM3518	2-42	2	STM8119	2-40	3	STM8307	3-3	9	STM9003	5-3	3
STM3518	6-6	3	STM8120	2-40	4	STM8307	3-6	9	STM9043	4-13	5
STM3518	6-6	16	STM8122	3-1	2	STM8307	3-8	9	STM9043	4-13	6
STM3518	6-7	2	STM8168	2-38	17	STM8308	3-2	12	STM9043	4-14	5
STM3518	6-7	9	STM8168	2-39	17	STM8308	3-3	10	STM9043	4-14	6
STM3518	6-8	20	STM8169	2-32	6	STM8308	3-6	10	STM9050	4-6	7
STM3695	2-38	12	STM8169	2-33	7	STM8308	3-8	10	STM9050	4-13	7
STM3695	2-39	12	STM8179	2-32	14	STM8309	3-2	13	STM9050	4-13	8
STM3695	6-6	17	STM8179	2-33	14	STM8309	3-3	11	STM9050	4-14	7
STM3695	6-8	19	STM8211	3-1	14	STM8309	3-6	11	STM9050	4-14	8
STM3749	2-42	7	STM8213	6-6	10	STM8309	3-8	11	STM9052	4-5	6
STM3749	2-45	10	STM8213	6-7	13	STM8314	3-2	14	STM9052	4-6	6
STM3749	3-1	6	STM8214	6-6	12	STM8314	3-3	12	STM9196	2-32	13
STM3749	6-9	4	STM8214	6-7	16	STM8315	3-2	15	STM9196	2-33	13
STM4003	5-1	6	STM8215	6-6	13	STM8315	3-3	13	STM9262	3-2	16
STM4003	5-2	6	STM8215	6-7	15	STM8315	3-6	13	STM9262	3-3	14
STM4003	5-2	6	STM8216	5-3	1	STM8315	3-8	13	STM9262	3-20	4
STM4003	5-3	6	STM8225	4-15	5	STM8315	10-6	4	STM9262	3-21	4
STM4014	5-1	4	STM8225	4-15	6	STM8315	10-7	7	STM9469	3-12	5
STM4014	5-1	4	STM8225	4-16	5	STM8344	2-33	8	STM9469	3-13	5
STM4014	5-1	11	STM8225	4-16	6	STM8390	2-33	11	STM9504	3-1	17
STM4014	5-2	4	STM8228	4-5	5	STM8652	4-8	23	STM9505	3-1	18
STM4014	5-2	4	STM8231	3-12	12	STM8652	4-13	1	STM9568	1-1	8
STM4014	5-3	4	STM8231	3-13	12	STM8653	4-14	1	STM9569	1-2	8
STM4014	5-3	4	STM8232	3-12	6	STM8654	4-10	23	STM9619	2-32	7
STM4014	5-4	8	STM8232	3-13	6	STM8654	4-15	1	STM9646	3-11	10
STM4056	5-3	9	STM8249	3-12	9	STM8655	4-16	1	STM9655	3-6	14
STM4081	2-32	5	STM8249	3-13	9	STM8713	5-1	2	STM9655	3-8	14
STM4081	2-33	6	STM8250	3-12	2	STM8714	5-4	11	STM9675	3-20	7
STM4995	3-16	3	STM8250	3-13	2	STM8730	10-3	4	STM9675	3-21	7
STM6185	3-20	8	STM8263	10-6	1	STM8764	2-33	12	STM9680	2-33	10
STM6185	3-21	8	STM8263	10-7	1	STM8777	5-3	12	STM9741	10-6	3
STM6511	3-1	16	STM8272	5-1	12	STM8792	3-1	15	STM9741	10-7	3
STM6557	10-6	2	STM8272	5-1	12	STM8832	6-6	6	STM9742	5-4	12
STM6557	10-7	2	STM8272	5-2	12	STM8832	6-7	5	STM9744	2-32	10
stm6617	3-11	9	STM8272	5-2	12	STM8921	3-13	14	STM9750	5-4	13
STM6617	6-6	11	STM8272	5-3	12	STM8922	3-12	14	STM9758	4-8	24
STM6617	6-7	14	STM8295	4-6	7	STM9003	5-1	1	STM9761	4-10	24
STM7056	3-2	8	STM8295	4-15	7	STM9003	5-1	3	STM9765	5-4	9
STM7056	3-3	6	STM8295	4-15	8	STM9003	5-1	1	STM9781	6-7	12
STM7056	3-20	5	STM8295	4-16	7	STM9003	5-1	3	STM9793	2-40	12
STM7056	3-21	5	STM8295	4-16	8	STM9003	5-2	1	STM9794	2-40	13

art.nr. / part	pag. page	pos.
STM9871	2-43	2
STM9871	2-45	2
STM9974	3-12	8
STM9974	3-13	8
VD20037	10-1	4
VD20642	10-1	12
VD20643	10-1	1
VD20644	10-1	2
VD20645	10-1	3
VD20646	10-1	6
VD20647	10-1	8
VD20648	10-1	7
VD20649	10-1	9
VD20650	10-1	5
VD20651	10-1	10
VD20652	10-1	11
VD20706	10-1	15
VD20723	1-1	6
VD20723	1-2	6
VD20723	3-10	8
VD30017	3-12	13
VD30017	3-13	13
VP000114	10-1	14
VP000116	2-1	1
VP000117	6-2	1
VP000118	6-1	1
VP000119	2-17	1
VP000120	2-18	9
VP000121	2-19	18
VP000122	2-19	19
VP000123	2-19	20
VP000124	2-19	18
VP000125	2-19	19
VP000126	2-19	20



Havenstraat 11 - 3115 HC Schiedam - The Netherlands
Tel.: +31 (0)88 4884700 - sales@vetus.com - www.vetus.com