

Parts catalogue

H-Line

VH4.65
VH4.80



Deze onderdelencatalogus bevat waardevolle informatie voor onderhoud en service aan uw motor.

Wij adviseren U, bij vervanging alleen originele **VETUS** onderdelen toe te passen.

Het typeplaatje bevat informatie over de typeaanduiding, het motornummer en de serie.

Gebruik deze informatie bij bestelling van onderdelen.

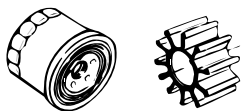
This parts'catalogue contains valuable information for maintenance and service over your engine.

For replacement, we recommend that you use only genuine **VETUS** parts.

The identification tag contains information about model, serial number and series.

Use this information when ordering parts.

1



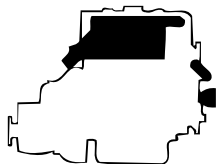
Reserve kits
Spare parts kit

2



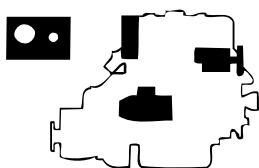
Motor
Engine

3



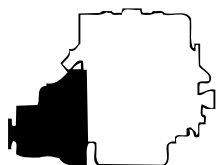
Koeling
Cooling

4



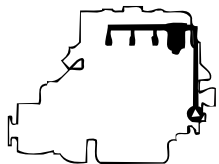
Electra, bediening en instrumenten
Electrics, controls, instruments

5



Aandrijving
Transmission

6



Brandstofsysteem
Fuel system

7

Generator
Generator

8

Gereedschappen
Tools

9

10

Accessoires
Optionals

Aanbouwmoment 55 Nm
Torsionmoment 45 Nm

Qty	part	benaming	description
2	STW6101	Motormech 55-58	Engine support PS-58
4	STW6102	Bout M16x20-90	Bolt M16x20
4	STW6103	Washer	Washer
2	STW6104	Washer	Washer
4	STW6105	Muur M16x1,5	Nut M16x1,5
2	STW6106	Washer	Washer
2	STW6107	Chassis KOTELINISIV	Engine Mount KOTELINISIV
2	STW6108	Motormech 58-65	Engine support SR-PS
4	STW6109	Bout M12x17-90	Bolt M12x17
4	STW6110	O-ring	Washer

1 1 1 1 1 1 1 1 1 1

1

De volledige stuklijst staat op deze pagina.

The full parts list is shown on this page.

Qty	part	benaming	description	
1	STW1100	Zwaaierpompe	Swallow pump	
1	STW1127	O-ring	O-ring	
4	STW1126	Klemmerstrip	Clamp plate	
4	STW1119	Ring	Washer	
4	STW1205	Muur M8	Nut M8	
1	STW1435	Brandstofpomp M2,24	Fuel pump M2,24	
1	STW1427	Brandstofpomp M2,24	Fuel pump M2,24	
1	STW1436	Brandstofpomp M2,24	Fuel pump M2,24	
1	STW1127	Brandstofpomp M2,24	Fuel pump M2,24	
2	STW1206	Muur M8	Nut M8	
1	STW1138	Pakking	Gasket	
10	2	STW1130	Tapijnd M6x14	Screw M6x14
1	STW1130	Adapter	Adapter	
11	STW1218	Bout M8x5	Bolt M8x5	
11	STW1215	Bout M8x20	Bolt M8x20	
1	STW1114	Pakking	Gasket	

1 1

1 2

De stuklijst is verdeeld over 2 pagina's. Op deze pagina staat het **eerste** deel.

The parts list is spread over 2 pages. On this page the **first** part is shown.

Qty	part	benaming	description	
1	STW1145	Omschakelklep	Oil pump housing	
1	STW1146	Tandwiel buiten	Gear outer	
1	STW1148	Tandwiel binnen	Gear inner	
16	2	STW1206	Bout M8x20	Bolt M8x20
1	STW1229	Waterpomp bromwater	Water pump coolant	
1	STW1230	Pakking	Gasket	
21	2	STW1231	Bout M6x18	Bolt M6x18
22	1	STW1232	Bout M8x20	Bolt M8x20
23	1	STW1233	Bout M8x5	Bolt M8x5
24	2	STW1233	Bout M8x5	Bolt M8x5
1	STW1243	V-riem 1-925 mm, 40 A dynamo	V-belt 1-925 mm, 40 A dynamo	
1	STW1249	V-riem 1-925 mm, 72 A dynamo	V-belt 1-925 mm, 72 A dynamo	
1	STW1227	Pulley waterpomp	Pulley water pump	
4	STW1235	Bout M8x12	Bolt M8x12	

1 1

1 2

De stuklijst is verdeeld over 2 pagina's. Op deze pagina staat het **tweede** deel.

The parts list is spread over 2 pages. On this page the **second** part is shown.

Qty	part	benaming	description	
1	VPW0208	Turbocompressor V4	Turbocompressor V4	
4	VPW02126	Muur M8	Nut M8	
4	VPW02179	Draadend M8	Screw M8	
1	VPW02362	Pakking turbo	Gasket turbo	
1	DMW0356	Slang	Silicon hose	
1	VPW01194	Slangkleem 40x64	Clamp 40x64	
1	VPW01774	Sleuf	Support	
1	VPW01284	Schroefspanning turbo	Actuator	
2	VPW01285	Bevestiging M8	Lock nut M8	
10	2	ROZ28	Ring M8	
11	2	VPW01287	Bout M6x14	Bolt M6x14
12	2	ROZ28	Ring M8	
1	VPW01288	Slang 3x7 L=0,20 m	Hose 3x7 L=0,20 m	
16	2	VPW0206	Slangkleem 25-9	Hose clamp 25-9
15	1	VPW01772	Proef schied	Heat shield
16	2	VPW01773	Bout M8x20	Bolt M8x20
17	2	ROZ28	Ring M8	
18	3	DMW0357	Ring M8	
1	VPW01241	Bul	Bush	
1	DMW0358	Omschakelgrootte V4	Exhaust manifold V4	

1 1

● Verkrijgbaar als reserveonderdelen.

Andere onderdeelnummers zijn nog niet geactiveerd als reserveonderdeel. Deze zijn mogelijk beschikbaar op aanvraag.

● Available as spare parts.

Remaining part numbers have not been set up as spare part. Potentially available on request.

Inhoud

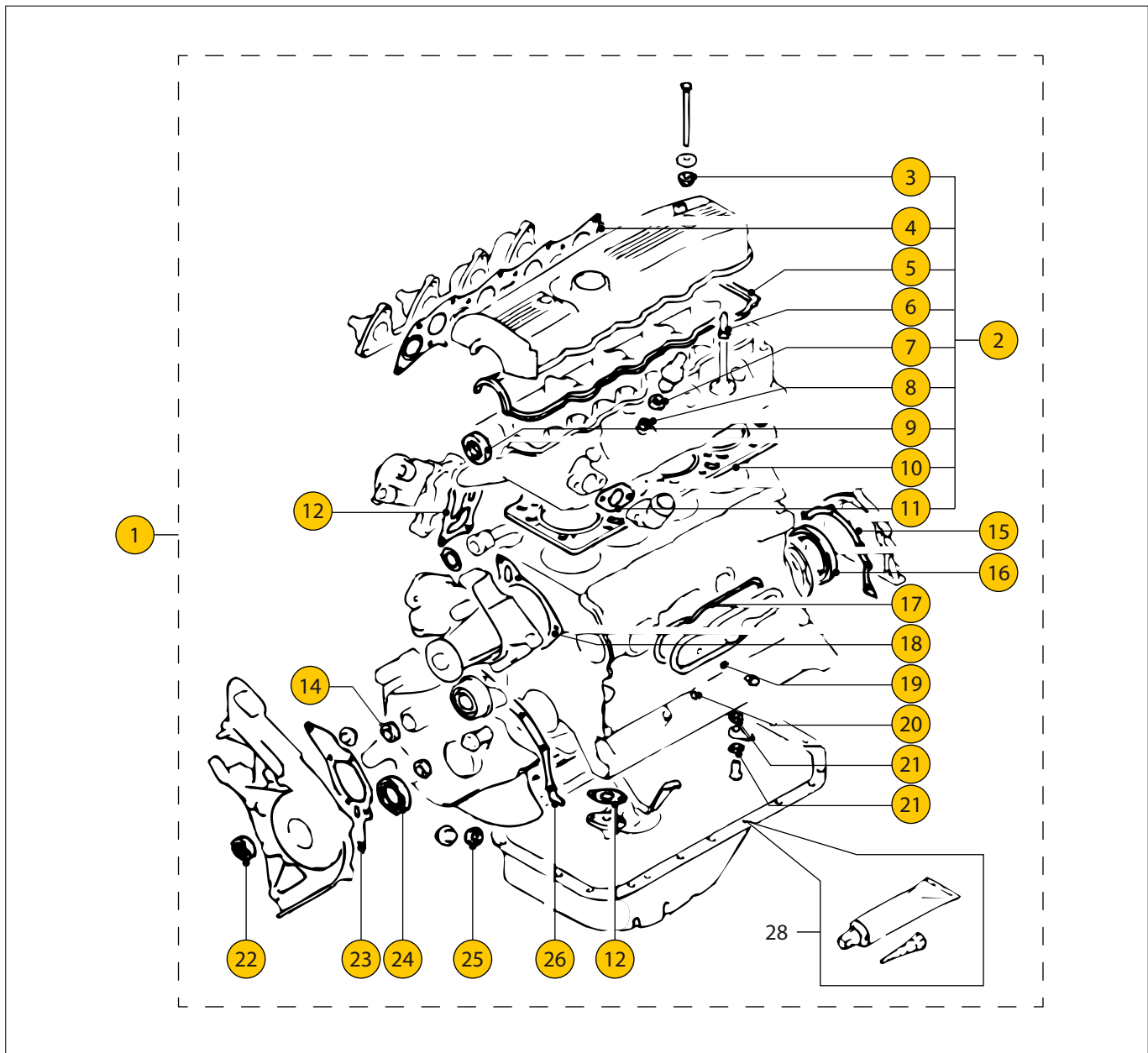
Contents

pag. page	type	omschrijving	description	
1-1	VH4.65	VH4.80	Service kit	Service kit
2-1	VH4.65	VH4.80	Pakkingset	Gasket kit
2-2	VH4.65	VH4.80	Pakkingset	Gasket kit
2-3	VH4.65	VH4.80	Cylinderblok	Cylinder block
2-4	VH4.65	VH4.80	Cylinderblok	Cylinder block
2-5	VH4.65	VH4.80	Cylinderblok	Cylinder block
2-6	VH4.65	VH4.80	Distributiedeksel	Distribution cover
2-7	VH4.65	VH4.80	Distributiedeksel	Distribution cover
2-8	VH4.65	VH4.80	Cylinderkop	Cylinder head
2-9	VH4.65	VH4.80	Krukas	Crank shaft
2-10	VH4.65	VH4.80	Krukas	Crank shaft
2-11	VH4.65	VH4.80	Zuiger + drijfstang	Piston + connection rod
2-12	VH4.65	VH4.80	Balansas	Balanger shaft
2-13	VH4.65	VH4.80	Nokkenas	Camshaft
2-14	VH4.65	VH4.80	Nokkenas	Camshaft
2-15	VH4.65	VH4.80	Nokkenas	Camshaft
2-16	VH4.65	VH4.80	Carterpan + kleppendeksel	Oil pan + rocker cover
2-17	VH4.65	VH4.80	Carterpan + kleppendeksel	Oil pan + rocker cover
2-18	VH4.65	VH4.80	Motorsteunen	Engine supports
3-1	VH4.65	VH4.80	Circulatiepomp	Circulation pump
3-2	VH4.65	VH4.80	Warmtewisselaar unit (<- 03-03)	Heatexchanger unit (<- 03-03)
3-3	VH4.65	VH4.80	Warmtewisselaar unit (<- 03-03)	Heatexchanger unit (<- 03-03)
3-4	VH4.65	VH4.80	Kielkoelspruitstuk (<- 03-03)	Keelcooler manifold (<- 03-03)
3-5	VH4.65	VH4.80	Kielkoelspruitstuk (<- 03-03)	Keelcooler manifold (<- 03-03)
3-6	VH4.65	VH4.80	Motoroliekoeler (Interkoeluitvoering)	Engine oilcooler (Inter-cool version)
3-7	VH4.65	VH4.80	Zeewaterpomp bevestiging	Seawaterpump fastening
3-8	VH4.65	VH4.80	Zeewaterpomp	Seawater pump
3-9	VH4.65	VH4.80	Uitlaat injectiebocht	Exhaust injection elbow
3-10	VH4.65	VH4.80	Thermostaat	Thermostat
3-11	VH4.65	VH4.80	Thermostaat	Thermostat
3-12	VH4.65	VH4.80	Warmtewisselaar unit (03-03 ->)	Heatexchanger unit (03-03 ->)
3-13	VH4.65	VH4.80	Warmtewisselaar unit (03-03 ->)	Heatexchanger unit (03-03 ->)
3-14	VH4.65	VH4.80	Warmtewisselaar unit (03-03 ->)	Heatexchanger unit (03-03 ->)
3-15	VH4.65	VH4.80	Kielkoelspruitstuk (03-03 ->)	Keelcooler manifold (03-03 ->)
3-16	VH4.65	VH4.80	Kielkoelspruitstuk (03-03 ->)	Keelcooler manifold (03-03 ->)
3-17	VH4.65	VH4.80	Luchtfilter/ geluidsdemper	Aircleaner/ muffler
3-18	VH4.65	VH4.80	Motoroliekoeler (Kielkoeluitvoering)	Engine oilcooler (Keel-cool version)
4-1	VH4.65	VH4.80	Bedrading	Wiring
4-2	VH4.65	VH4.80	Bedrading	Wiring
4-3	VH4.65	VH4.80	Dynamo + startmotor	Alternator + starter
4-4	VH4.65	VH4.80	Bediening	Controls

pag. page	type	omschrijving	description	
4-5	VH4.65	VH4.80	Bediening	Controls
4-6	VH4.65	VH4.80	Instrumentenpaneel model '22'	Instrument panel model '22'
4-7	VH4.65	VH4.80	Instrumentenpaneel model '22'	Instrument panel model '22'
4-8	VH4.65	VH4.80	Instrumentenpaneel model '34'	Instrument panel model '34'
4-9	VH4.65	VH4.80	Instrumentenpaneel model '34'	Instrument panel model '34'
4-10	VH4.65	VH4.80	Instrumentenpaneel model '34'	Instrument panel model '34'
5-1	VH4.65	VH4.80	Vliegwielhuis	Flywheel housing
5-2	VH4.65	VH4.80	Vliegwielhuis	Flywheel housing
5-3	VH4.65	VH4.80	Vliegwielhuis	Flywheel housing
5-4	VH4.65	VH4.80	Oliekoeler hydraulische keerkoppeling	Oil cooler hydraulic gearbox
6-1	VH4.65	VH4.80	Brandstofleidingen	Fuel pipes
6-2	VH4.65	VH4.80	Brandstofpomp	Fuel pump
6-3	VH4.65	VH4.80	Brandstoffilters	Fuel filters
6-4	VH4.65	VH4.80	Brandstoffilters	Fuel filters
10-1	VH4.65	VH4.80	Aanbouwdelen Powerpack	Adaptor parts Powerpack
10-2		VH4.80	Transportsteun	Transport support
10-3	VH4.65	VH4.80	Kit tweede dynamo 12V-85A	Kit second alternator 12V-85A
10-4	VH4.65	VH4.80	Kit tweede dynamo 12V-110A	Kit second alternator 12V-110A

Register

Index

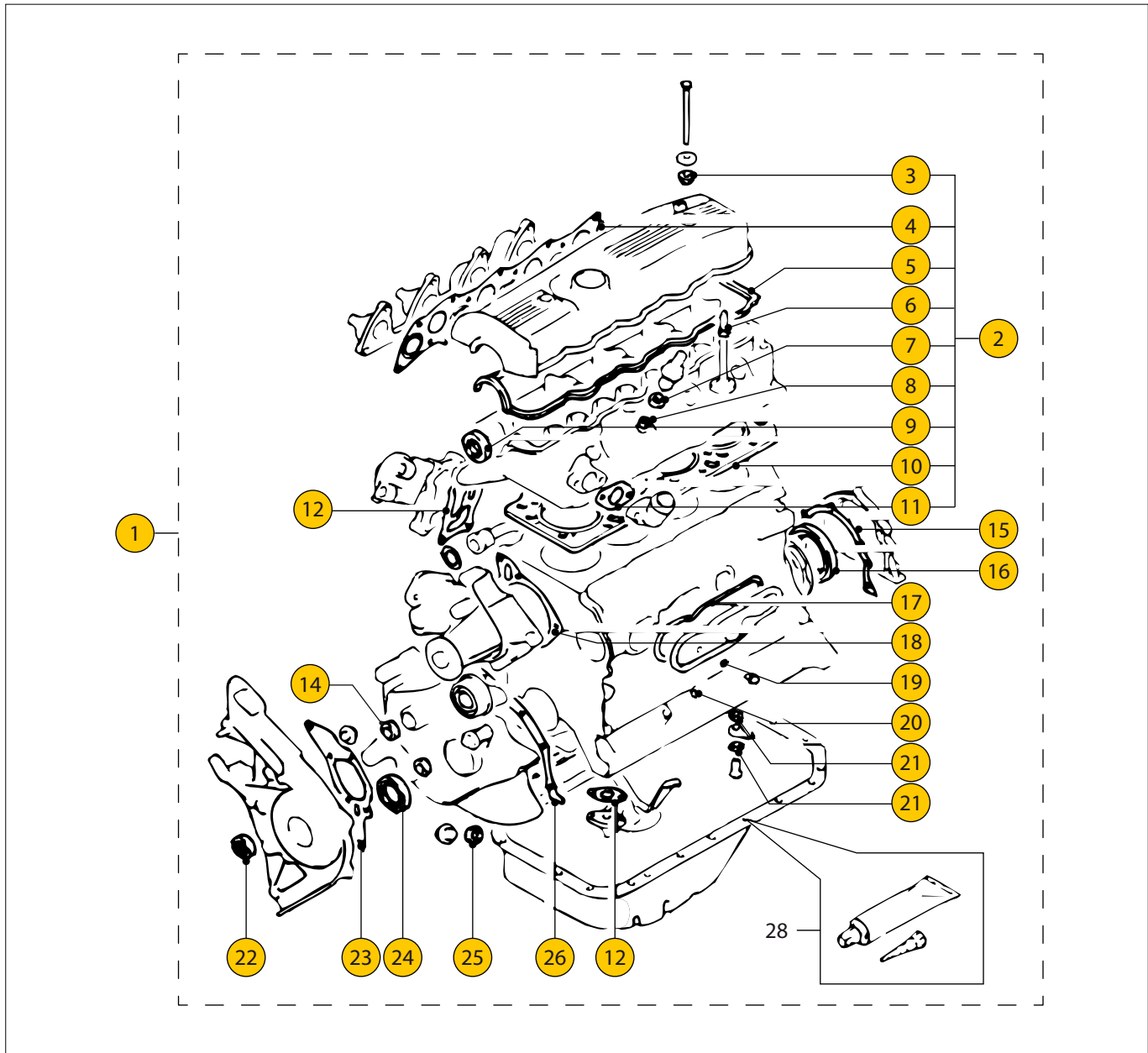


VH4.65 VH4.80

Pakkingset

Gasket kit

pos.	qty	part	benaming	description
1	1	STM4981	Pakkingset overhal	Gasket kit overhal
2	1	STM4982	Koppakkingset	Cyl.headgasket kit
3	3	STM4932	Afdichting	Seal
4	1	STM4980	Uit/inlaatpakking	Ex./inlet gasket
5	1	STM4929	Kleppendekeelpakking	Gasket
6	8	STM4886	Afdichting	Seal
7	4	STM4951	Afdichting	Seal
8	4	STM4952	Afdichting	Seal
9	1	STM4782	Afdichting	Seal
10	1	STM4783	Koppakking	Cil.head gasket
11	1	STM4541	Pakking	Gasket
12	1	STM4909	Pakking	Gasket
14	1	STM4752	Afdichting	Seal
15	1	STM4723	Pakking	Gasket
16	1	STM4722	Afdichting	Seal
17	1	STM4728	Pakking	Gasket
18	1	STM4935	Pakking	Gasket

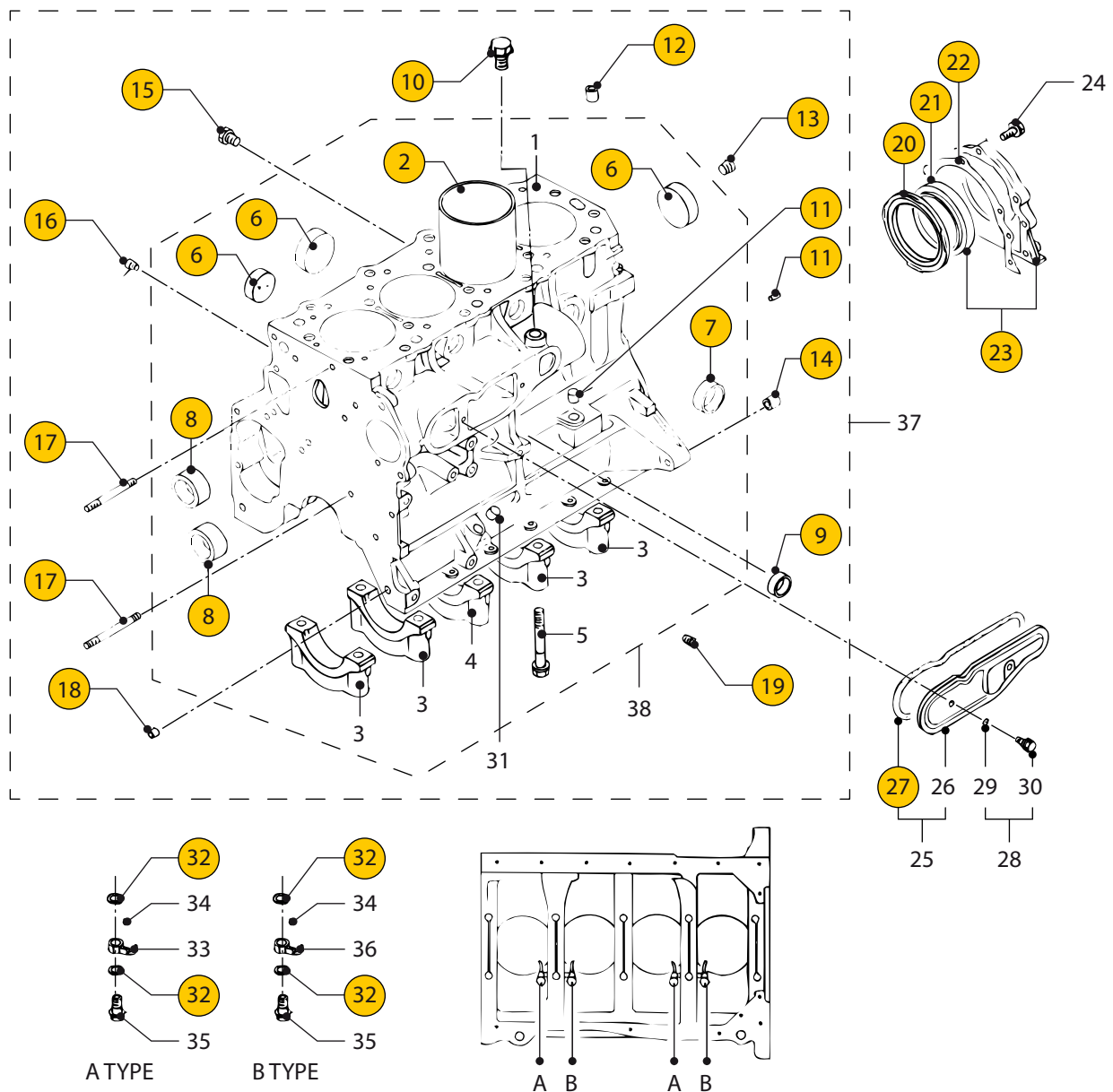


VH4.65 VH4.80

Pakkingset

Gasket kit

pos.	qty	part	benaming	description
19	1	STM4730	O-ring	O-ring
20	1	STM4730	O-ring	O-ring
21	1	STM4733	Pakking	Gasket
22	2	STM4984	Afdichting	Seal
23	1	STM4740	Pakking	Gasket
24	1	STM4753	Pakking	Gasket
25	1	STM4922	Ring	Washer
26	1	STM4759	Pakking	Gasket
27	1	STM4912	Pakking	Gasket
28	1	STM4983	Vloeibare pakking	Liquid gasket

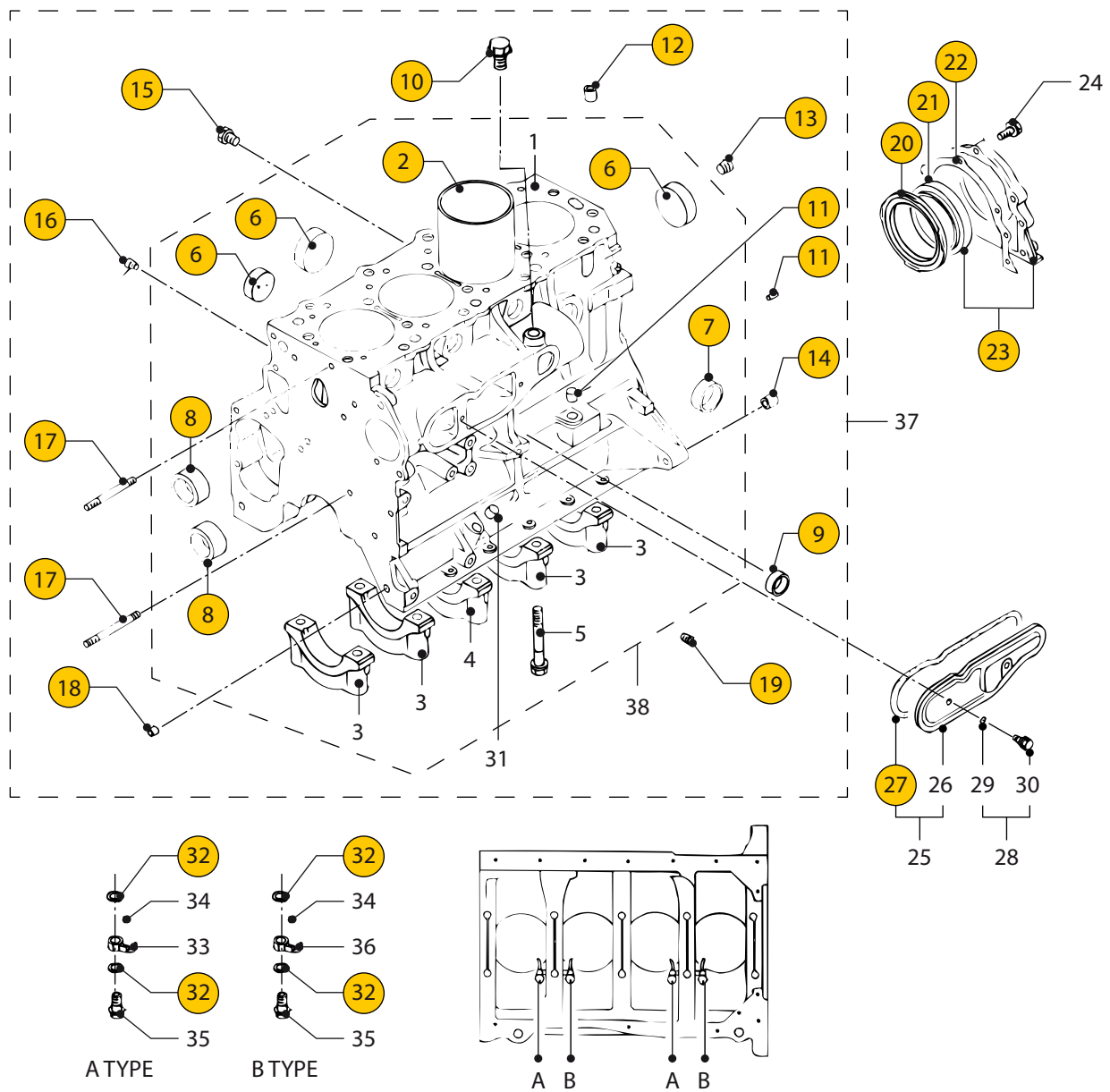


VH4.65 VH4.80

Cylinderblok

Cylinder block

pos.	qty	part	benaming	description
1	1	STM4702	Cylinderblok	Cilinder block
2	4	STM4703	Cylinderbus	Cilinder bush
3	4	STM4704	Lagerkap	Bearing cap
4	1	STM4705	Lagerkap	Bearing cap
5	10	STM4706	Bout	Bolt
6	2	STM4707	Afdichtkap 50	Sealing cap 50
7	4	STM4708	Afdichtkap 50	Sealing cap 50
8	2	STM4709	Lager	Bearing
9	5	STM4710	Afdichtkap 28	Sealing cap
10	1	STM4711	Bout	Bolt
11	2	STM4712	Paspen 6mm	Pin 6mm
12	2	STM4713	Pasbus 12x13	Bush 12x13
13	1	STM4714	Plug PT3/8	Plug PT3/8
14	2	STM4715	Pasbus 10mm	Bush 10mm
15	1	STM4716	Plug PT1/4	Plug PT1/4
16	1	STM4717	Plug PT1/8	Plug PT1/8

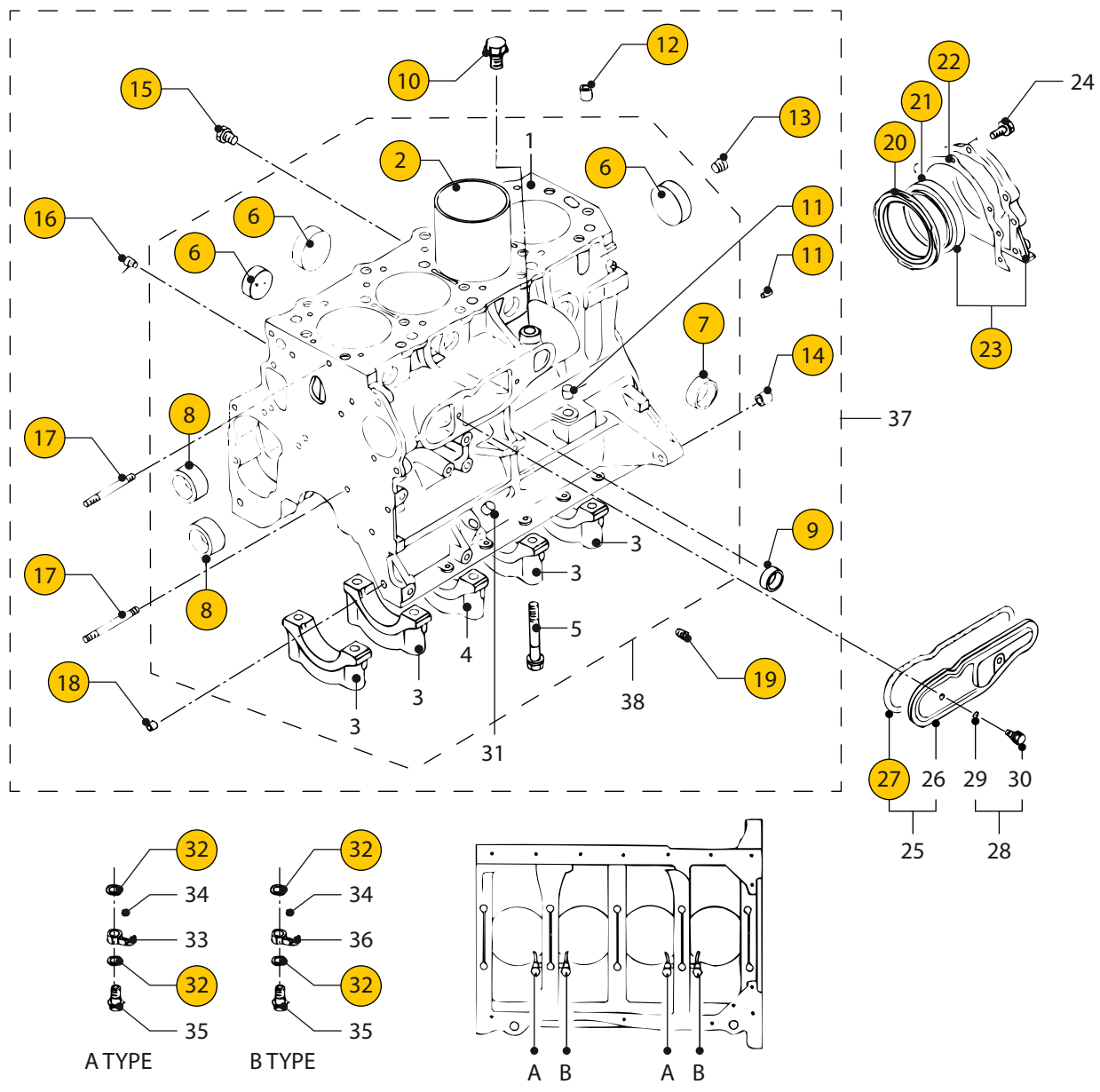


VH4.65 VH4.80

Cylinderblok

Cylinder block

pos.	qty	part	benaming	description
17	2	STM4718	Tapeind	Stud
18	4	STM4719	Pasbus 8x9	Bush 8x9
19	1	STM4720	Plug PT1/8	Plug PT1/8
20	1	STM4721	Olieseparator	Oil separator
21	1	STM4722	Oliekeerring	Oil sael
22	1	STM4723	Pakking	Gasket
23	1	STM4724	Deksel	Cover
24	5	STM4725	Bout 6x22	Bolt 6x22
25	1	STM4726	Deksel + pakking	Cover + gasket
26	1	STM4727	Deksel	Cover
27	1	STM4728	Pakking	Gasket
28	1	STM4729	O-ring + bout	O-ring + bolt
29	1	STM4730	O-ring	O-ring
30	1	STM4731	Bout 6x12	Bolt 6x12
31	1	STM4732	Plug	Plug
32	8	STM4733	Pakking	Gasket

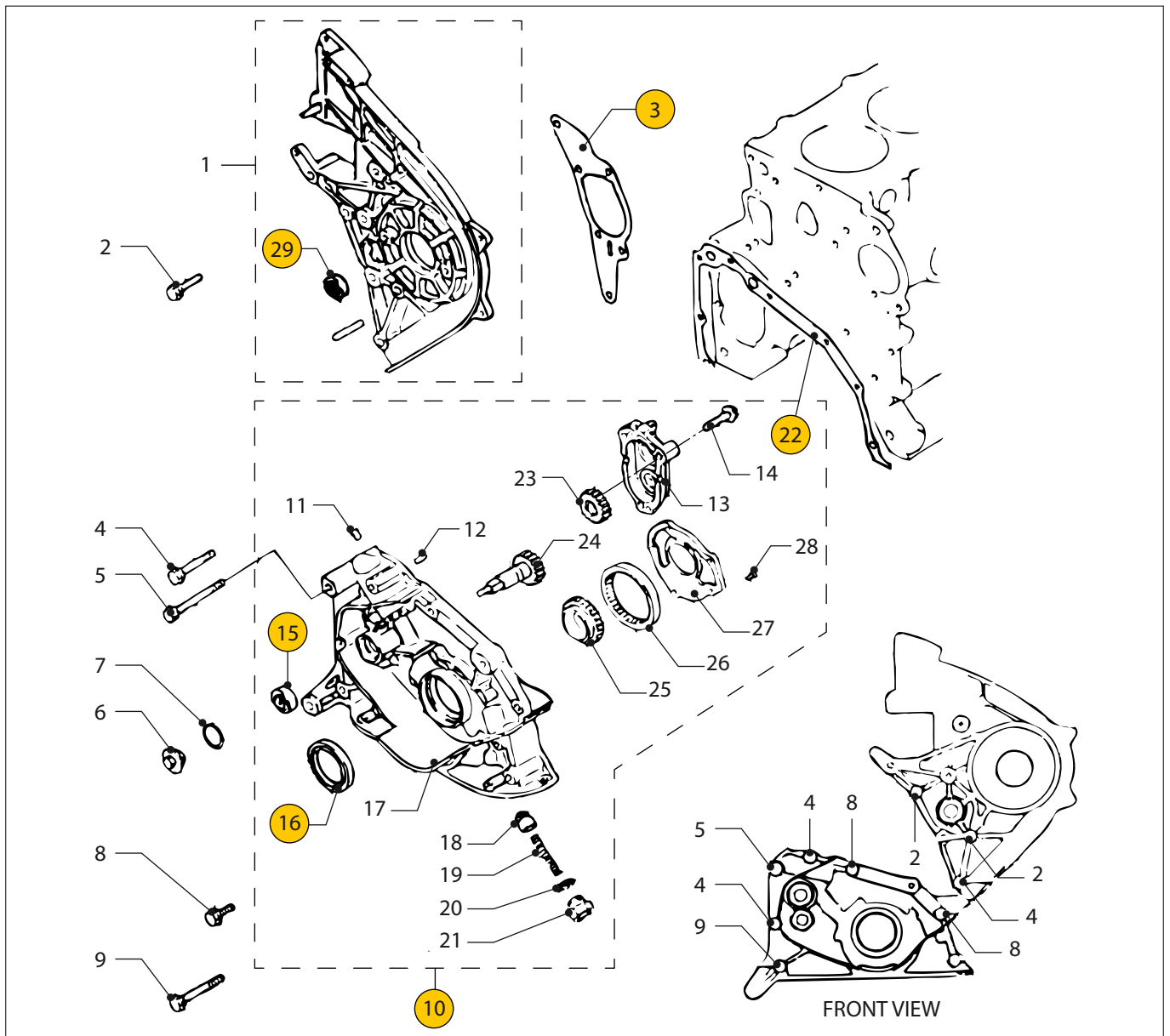


VH4.65 VH4.80

Cylinderblok

Cylinder block

pos.	qty	part	benaming	description
33,34	2	STM4734	Jet ass, y-oil	Jet ass, y-oil
34	4	STM4735	Pen	Pin
35	4	STM4736	Klep	Valve
36	2	STM4737	Jet ass, y-oil	Jet ass, y-oil
37	1	STM4700	Cylinderblok	Cilinder blok
38	1	STM4701	Cylinderblok	Cilinder blok

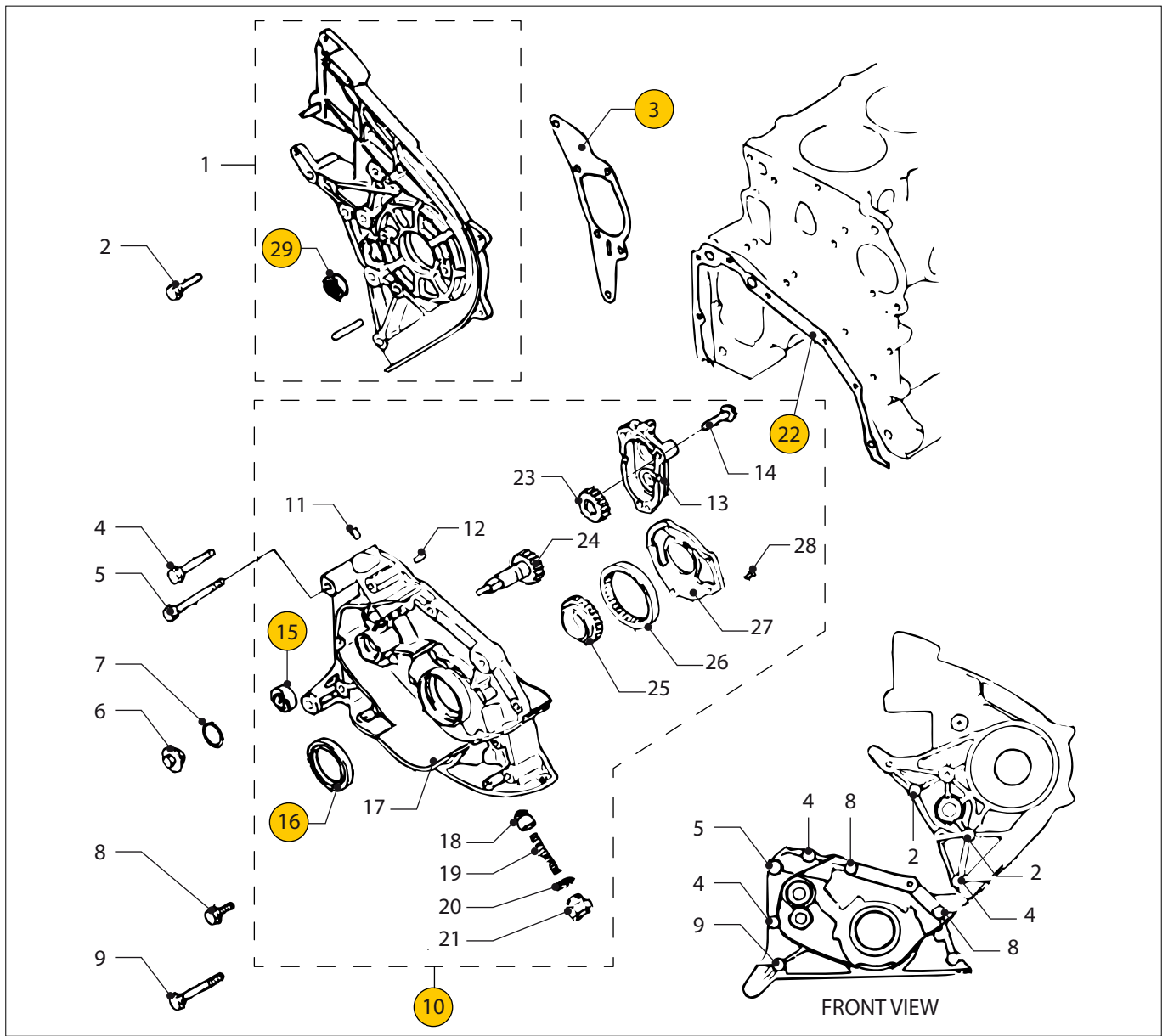


VH4.65 VH4.80

Distributiedeksel

Distribution cover

pos.	qty	part	benaming	description
1	1	STM4738	Deksel	Cover
2	2	STM4739	Bout 8x35	Bolt 8x35
3	1	STM4740	Pakking	Gasket
4	3	STM4741	Bout	Bolt
5	1	STM4742	Bout	Bolt
6	1	STM4743	Plug	Plug
7	1	STM4744	O-ring	O-ring
8	2	STM4745	Bout	Bolt
9	1	STM4746	Bout	Bolt
10	1	STM4747	Deksel compleet	Cover cpl.
11	1	STM4748	Plug	Plug
12	2	STM4749	Paspen 6 mm	Pin 6 mm
13	1	STM4750	Deksel	Cover
14	3	STM4751	Bout	Bolt
15	1	STM4752	Afdichting	Seal
16	1	STM4753	Afdichting	Seal
17	1	STM4754	Deksel	Cover
18	1	STM4755	Plunjer	Plunger

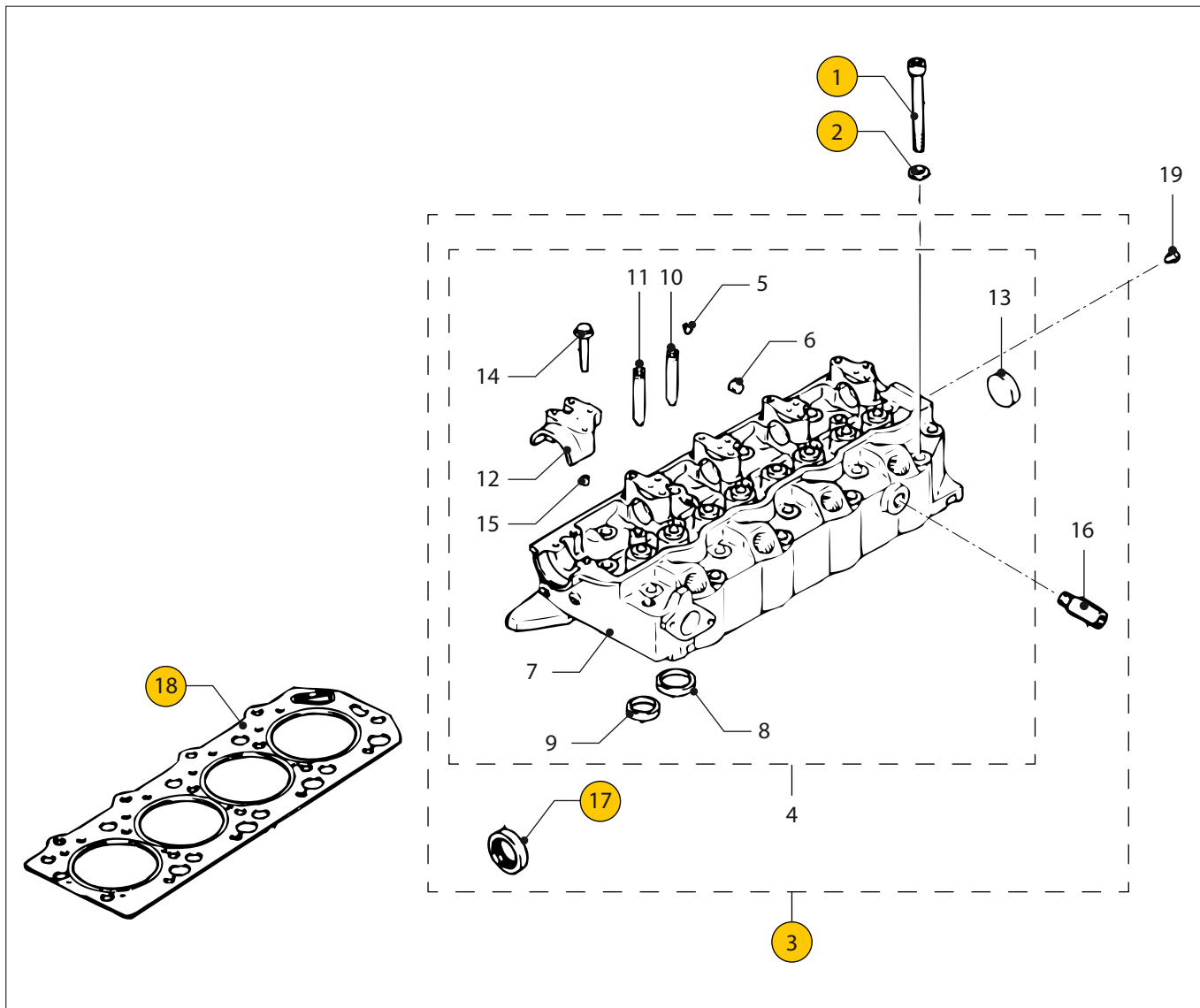


VH4.65 VH4.80

Distributiedeksel

Distribution cover

pos.	qty	part	benaming	description
19	1	STM4756	Veer	Spring
20	1	STM4757	Pakking	Gasket
21	1	STM4758	Plug	Plug
22	1	STM4759	Pakking	Gasket
23	1	STM4760	Tandwiel	Gearwheel
24	1	STM4761	Tandwiel	Gearwheel
25	1	STM4762	Tandwiel	Gearwheel
26	1	STM4763	Tandwiel	Gearwheel
27	1	STM4764	Deksel	Cover
28	6	STM4765	Schroef	Screw
29	2	STM4984	Afdichting	Seal

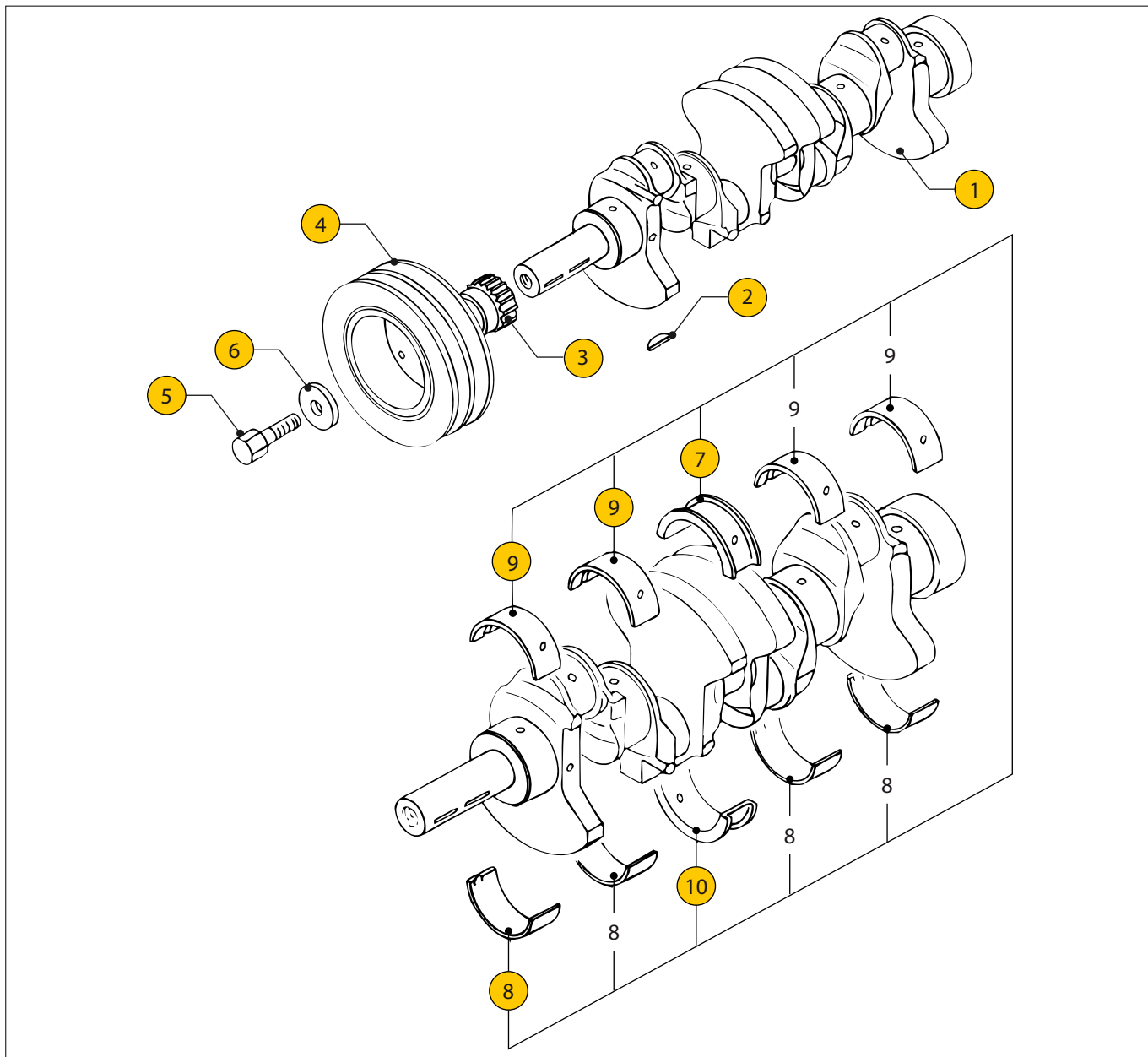


VH4.65 VH4.80

Cylinderkop

Cylinder head

pos.	qty	part	benaming	description
1	18	STM4766	Bout	Bolt
2	18	STM4767	Ring	Washer
3	1	STM4768	Cylinderkop	Cilinder head
4	1	STM4769	Cylinderkop	Cilinder head
5	1	STM4770	Plug	Plug
6	4	STM4771	Plug	Plug
7	1	STM4772	Cylinderkop	Cilinder head
8	4	STM4773	Klepzitting INLAAT	Valve seat INLET
9	4	STM4774	Klepzitting UITLAAT	Valve seat EXHAUST
10	4	STM4775	Klepgeleider INLAAT	Valve guide INLET
11	4	STM4776	Klepgeleider UITLAAT	Valve guide EXHAUST
12	1	STM4777	Steun	Support
13	1	STM4778	Afdichtkap	Sealing cap
14	8	STM4779	Bout 8x50	Bolt 8x50
15	10	STM4780	Bus 8 mm	Bush 8 mm
16	1	STM4781	Pijp	Pipe
17	1	STM4782	Oliekeerring	Oil seal
18	1	STM4783	Koppakking	Cilinder head gasket
19	1	STM4784	Plug PT1/16	Plug PT1/16

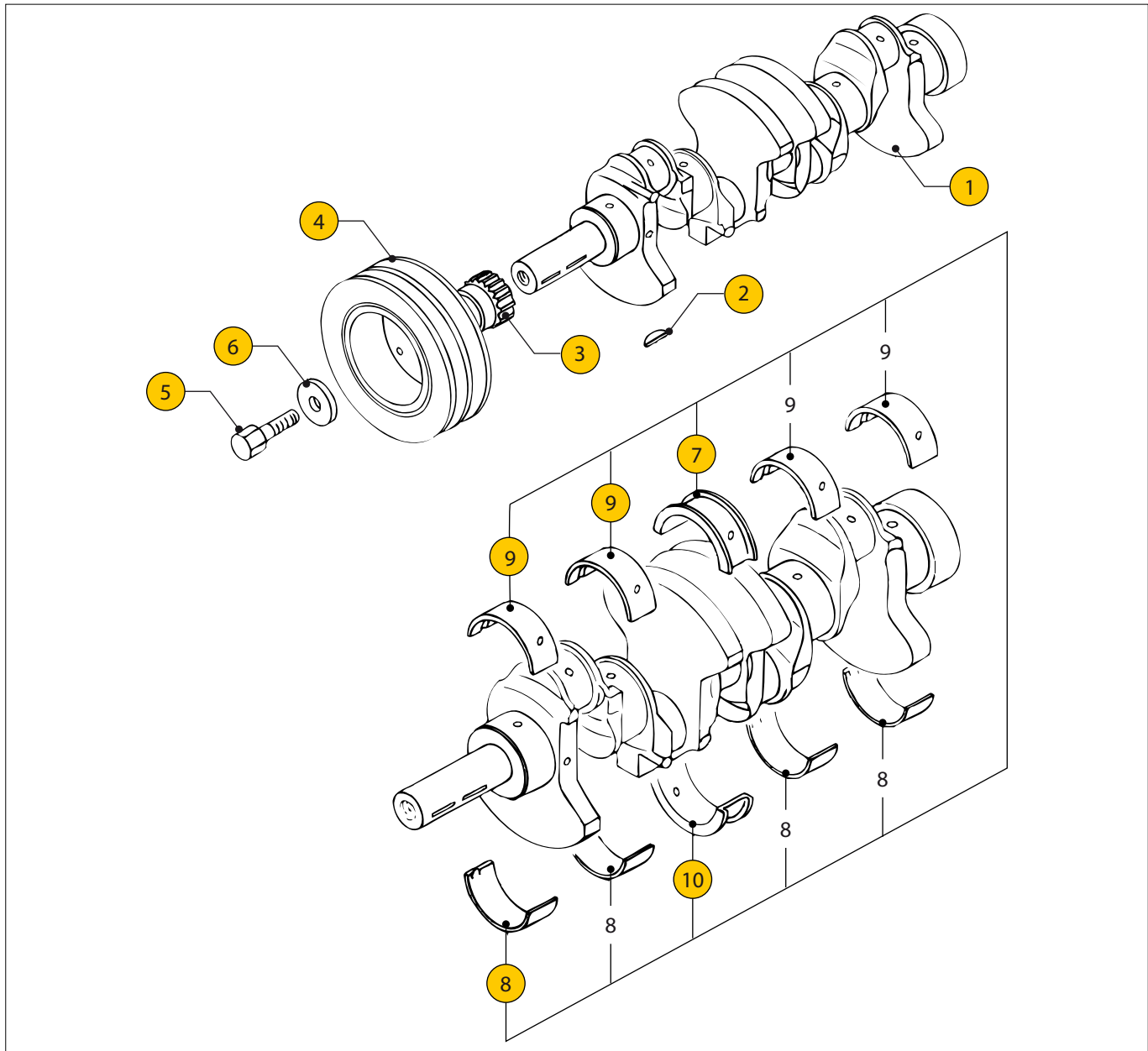


VH4.65 VH4.80

Krukas

Crank shaft

pos.	qty	part	benaming	description
1	1	STM4785	Krukas	Crank shaft
2	1	STM4786	Spie	Key
3	1	STM4787	As	Shaft
4	1	STM4788	Demper/snaarschijf	Damper/pulley
5	1	STM4789	Bout	Bolt
6	1	STM4790	Ring	Washer
7	1	DM10004	Lager STD1	Bearing STD1
7	1	STM4792	Lager STD2	Bearing STD2
7	1	STM4793	Lager STD3	Bearing STD3
7	1	STM4794	Lager STD4	Bearing STD4
7	1	STM4795	Lager STD5	Bearing STD5
8	1	DM10004	Lager STD1	Bearing STD1
8	1	STM4797	Lager STD2	Bearing STD2
8	1	STM4798	Lager STD3	Bearing STD3
8	1	STM4799	Lager STD4	Bearing STD4
8	1	STM4800	Lager STD5	Bearing STD5

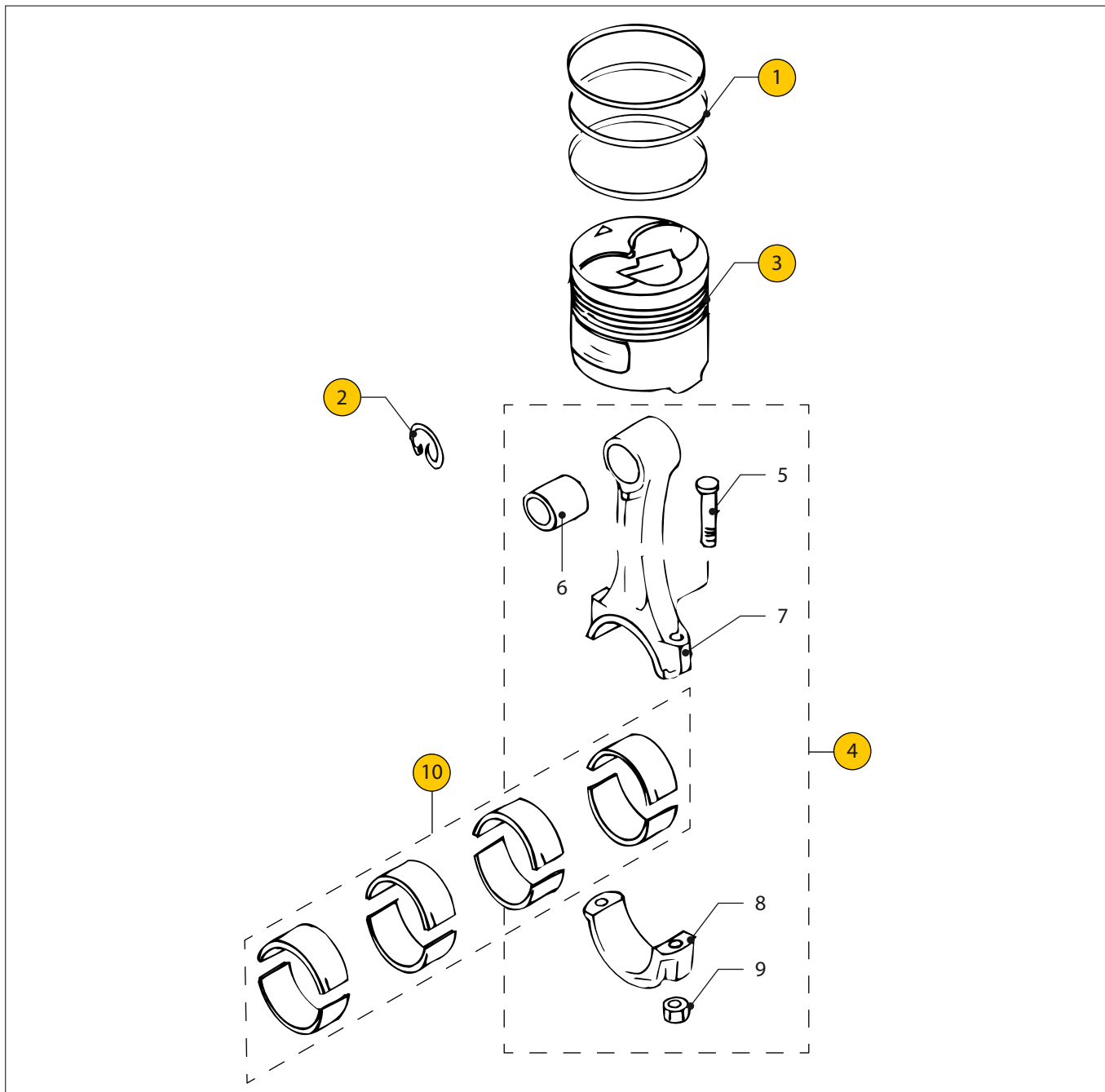


VH4.65 VH4.80

Krukas

Crank shaft

pos.	qty	part	benaming	description
9	1	DM10004	Lager STD1	Bearing STD1
9	1	STM4802	Lager STD2	Bearing STD2
9	1	STM4803	Lager STD3	Bearing STD3
9	1	STM4804	Lager STD4	Bearing STD4
9	1	STM4805	Lager STD5	Bearing STD5
10	1	DM10004	Lager STD1	Bearing STD1
10	1	STM4807	Lager STD2	Bearing STD2
10	1	STM4808	Lager STD3	Bearing STD3
10	1	STM4809	Lager STD4	Bearing STD4
10	1	STM4810	Lager STD5	Bearing STD5

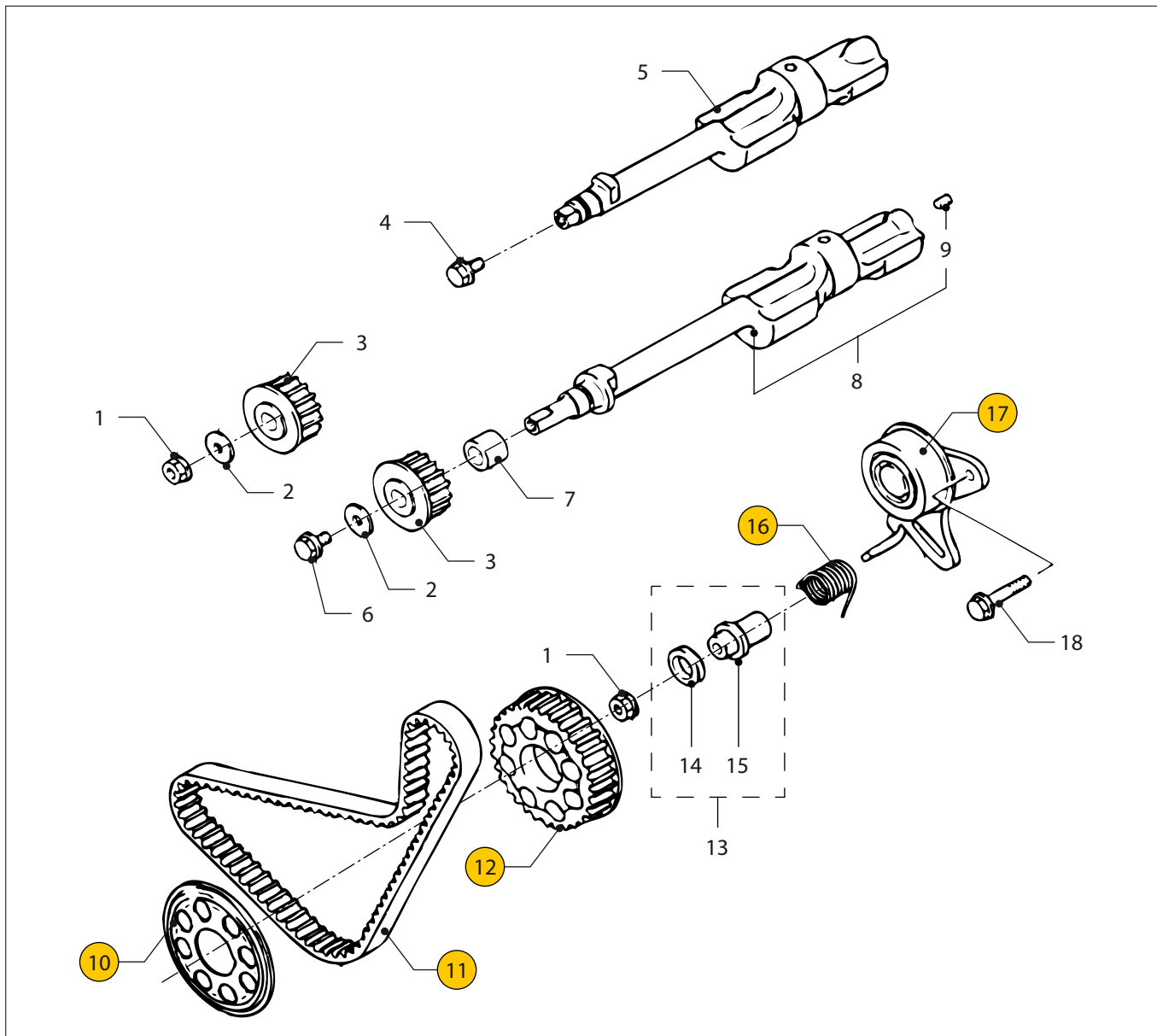


VH4.65 VH4.80

Zuiger + drijfstang

Piston + connection rod

pos.	qty	part	benaming	description
1	1	STM4811	Set zuigerveren STD voor 1 zuiger	Ring set piston STD for 1 piston
2	8	STM4831	Borgveer	Circlip
3	4	STM4832	Zuiger + pen STD A	Piston + pin STD A
4	4	STM4835	Drijfstang	Connection rod
5	2	STM4836	Bout	Bolt
6	1	STM4837	Pen	Pin
7	1	STM4838	Drijfstang	Connection rod
8	1	STM4839	Kap	Cap
9	2	STM4840	Moer	Nut
10	8	STM4841	Lager STD G	Bearing STD G

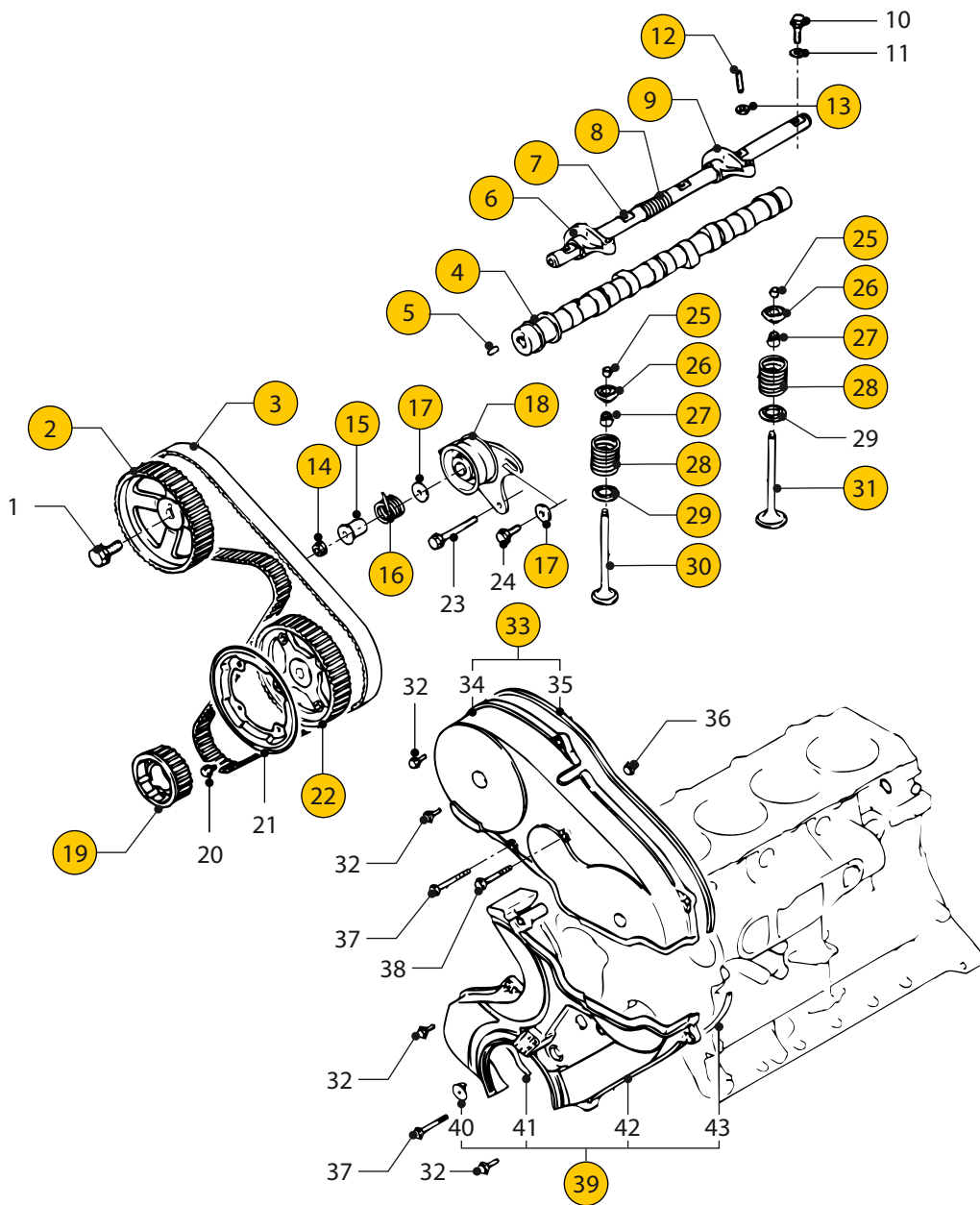


VH4.65 VH4.80

Balansas

Balanger shaft

pos.	qty	part	benaming	description
1	2	STM4842	Moer	Nut
2	2	STM4843	Ring	Washer
3	2	STM4844	Tandwiel	Gearwheel
4	1	STM4845	Bout	Bolt
5	1	STM4846	Balansas rechts	Balanger shaft right
6	1	STM4847	Bout	Bolt
7	1	STM4748	Bus	Bush
8	1	STM4849	Balansas links	Balanger shaft left
9	1	STM4850	Plug	Plug
10	1	STM4851	Flens	Flange
11	1	STM4852	Riem	Belt
12	1	STM4853	Tandwiel	Gearwheel
13	1	STM4854	Pakking + afstandbus	Gasket + spacer
14	1	STM4855	Pakking	Gasket
15	1	STM4856	Afstandbus	Spacer
16	1	STM4857	Veer	Spring
17	1	STM4858	Spanner	Tensioner
18	1	STM4859	Bout 8x16-10T	Bolt 8x16-10T

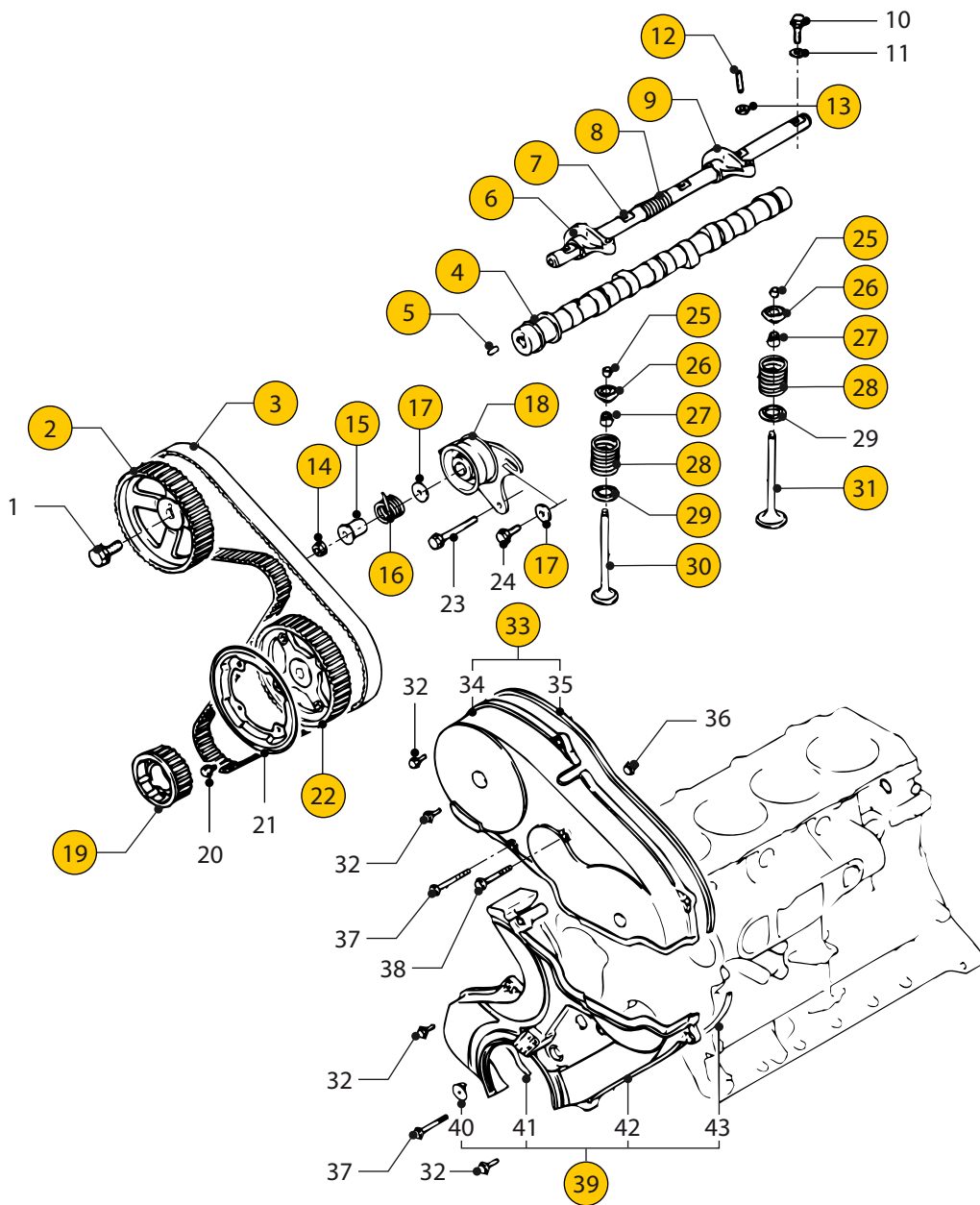


VH4.65 VH4.80

Nokkenas

Camshaft

pos.	qty	part	benaming	description
1	1	STM4860	Bout	Bolt
2	1	STM4861	Tandwiel	Gearwheel
3	1	STM4862	Riem	Belt
4	1	STM4863	Nokkenas	Camshaft
5	1	STM4864	Pen	Pin
6	4	STM4865	Tuimelaar inlaat	Rocker arm inlet
7	1	STM4866	Tuimelaaras	Rocker shaft
8	4	STM4867	Veer	Spring
9	4	STM4868	Tuimelaar uitlaat	Rocker arm exhaust
10	1	STM4869	Bout	Bolt
11	1	STM4870	Ring	Washer
12	8	STM4871	Stelschroef	Adj.screw
13	8	STM4872	Moer	Nut
14	1	STM4873	Moer	Nut
15	1	STM4874	Afstandbus	Spacer
16	1	STM4875	Veer	Spring

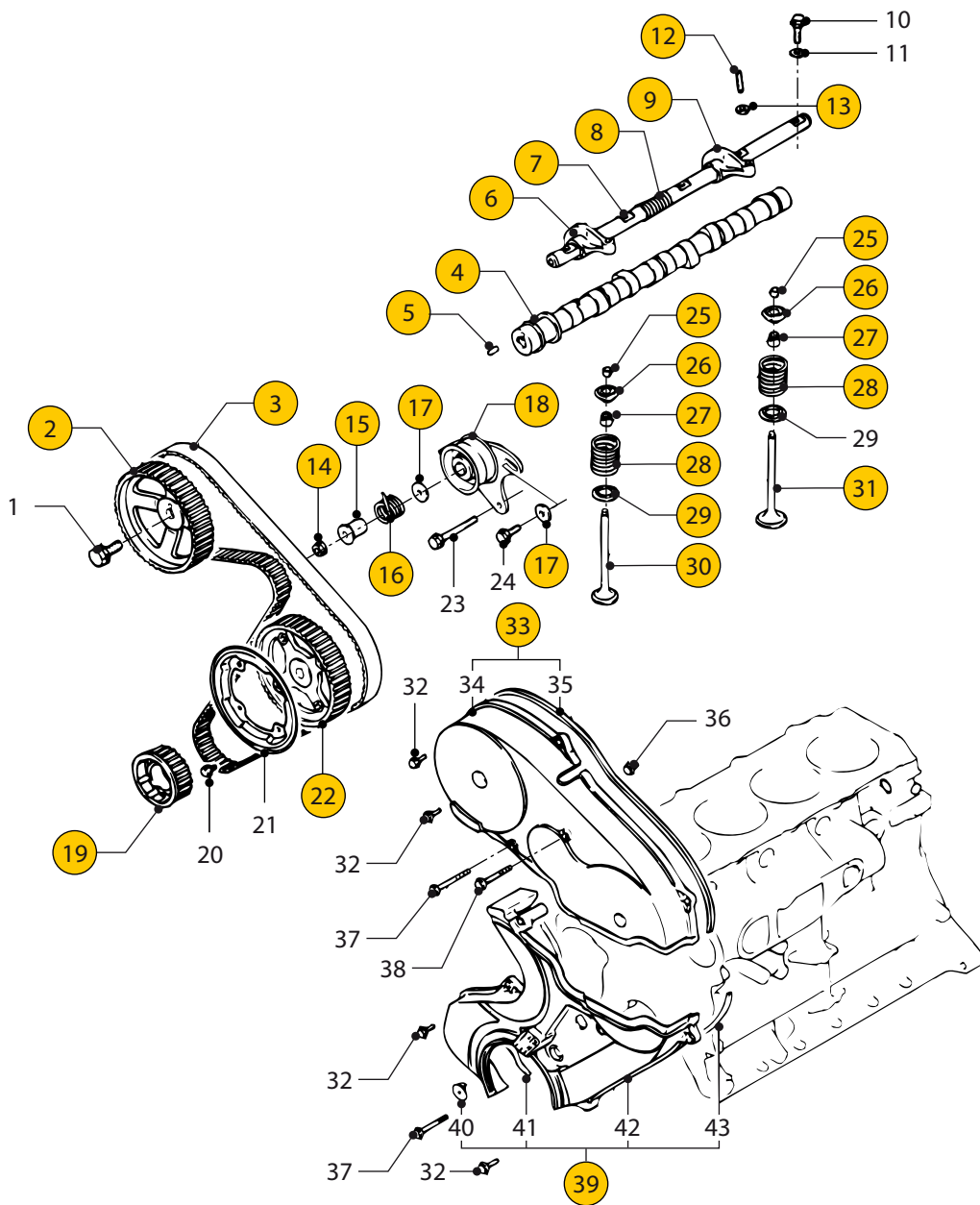


VH4.65 VH4.80

Nokkenas

Camshaft

pos.	qty	part	benaming	description
17	2	STM4876	Ring	Washer
18	1	STM4877	Spanner	Tensioner
19	1	STM4878	Tandwiel	Gearwheel
20	4	STM4879	Bout 8x12	Bolt 8x12
21	1	STM4880	Flens	Flange
22	1	STM4881	Tandwiel	Gearwheel
23	1	STM4882	Bout	Bolt
24	1	STM4883	Bout	Bolt
25	16	STM4884	Borging	Lock
26	8	STM4885	Geleiding	Guide
27	8	STM4886	Afdichting	Seal
28	8	STM4887	Veer	Spring
29	8	STM4888	Zitting	Seat
30	4	STM4889	Klep inlaat	Valve inlet
31	4	STM4890	Klep uitlaat	Valve exhaust
32	7	STM4891	Bout 6x22	Bolt 6x22

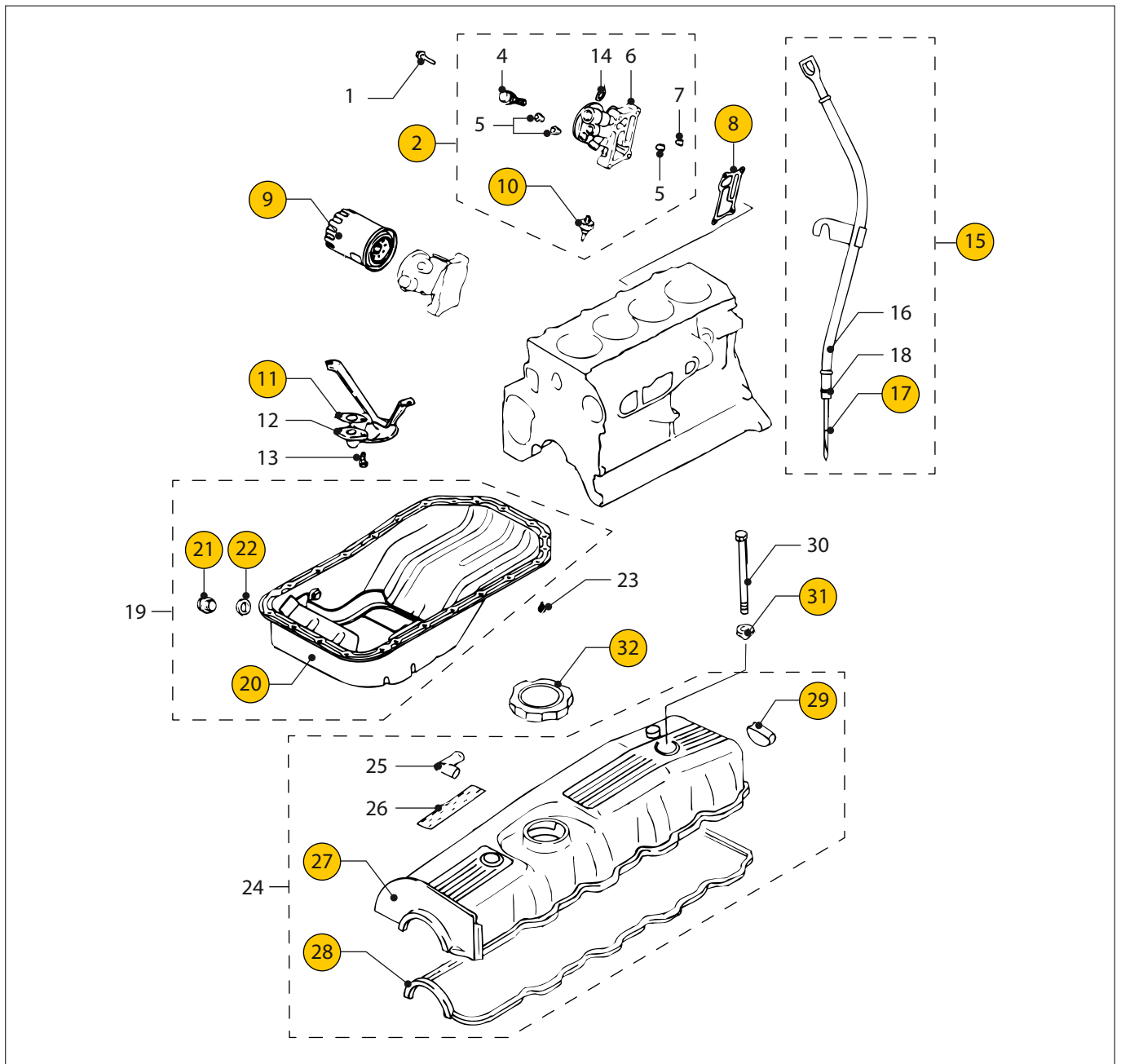


VH4.65 VH4.80

Nokkenas

Camshaft

pos.	qty	part	benaming	description
33	1	STM4892	Deksel + pakking	Cover + gasket
34	1	STM4893	Deksel	Cover
35	1	STM4894	Pakking	Gasket
36	1	STM4895	Bout 6x12	Bolt 6x12
37	2	STM4896	Bout	Bolt
38	1	STM4897	Bout	Bolt
39	1	STM4898	Deksel cpl.	Cover cpl.
40	1	STM4899	Afdichting	Plug
41	1	STM4900	Pakking	Gasket
42	1	STM4901	Deksel	Cover
43	1	STM4902	Pakking	Gasket

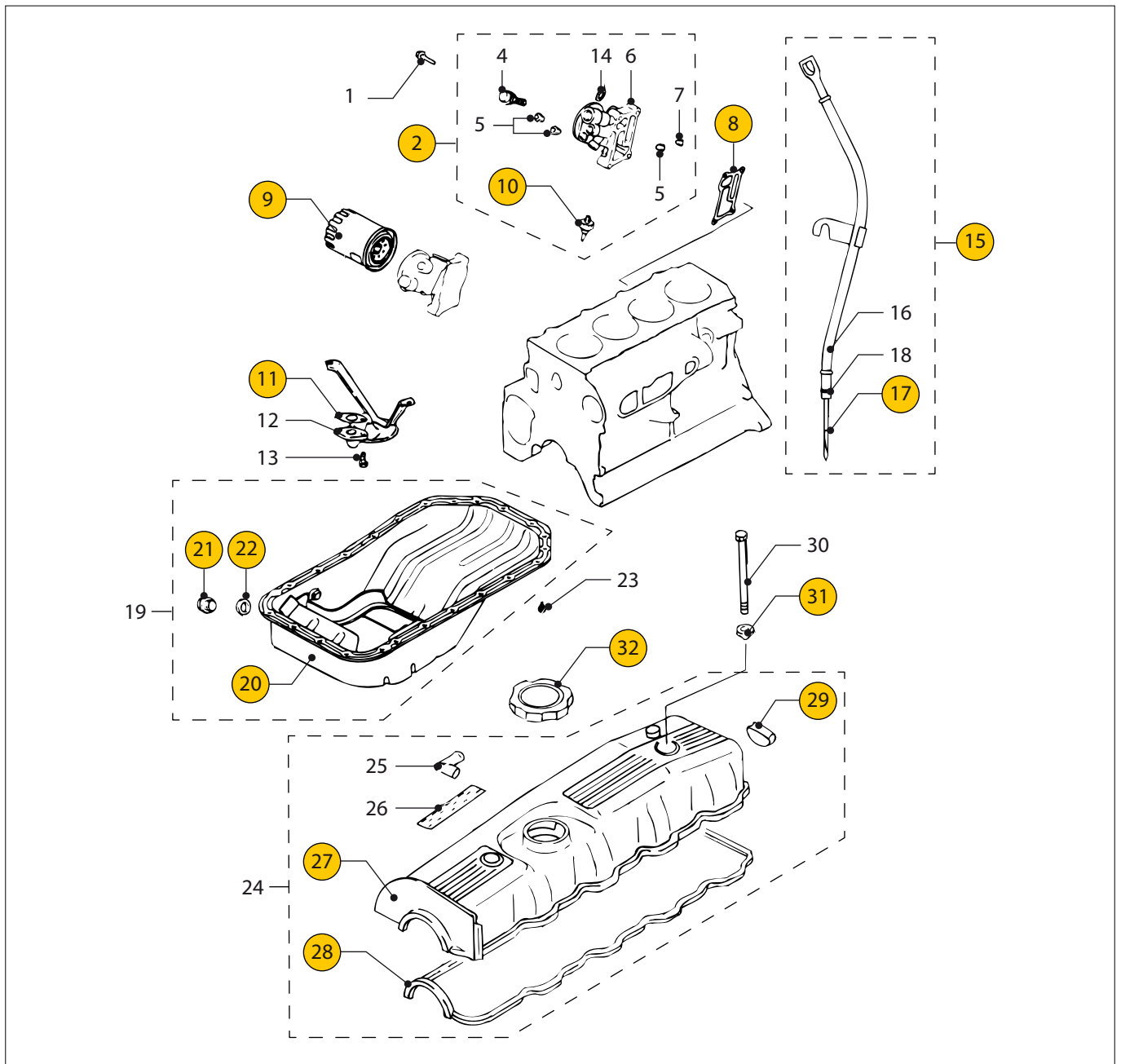


VH4.65 VH4.80

Carterpan + kleppendecksel

Oil pan + rocker cover

pos.	qty	part	benaming	description
1	4	STM4903	Bout	Bolt
2	1	STM4904	Oliefilterhuis cpl.	Oilfilter case cpl.
4	1	STM4905	Thermostaat by-pass	Thermostat by-pass
5	2	STM4906	Plug PT3/8	Plug PT3/8
6	1	STM4907	Oliefilterhuis	Oilfilter case
7	1	STM4908	Plug PT1/4	Plug PT1/4
8	1	STM4909	Pakking	Gasket
9	1	STM4910	Oliefilter	Oilfilter
10	1	STM6267	Oliedrukschakelaar (Hyundai)	Oil pressure switch (Hyundai)
11	1	STM4912	Pakking	Gasket
12	1	STM4913	Olie aanzuigpijp	Oil suction pipe
13	4	STM4914	Bout	Bolt
14	1	STM4915	Gasket	Gasket
15	1	STM4916	Pijlstok cpl.	Dipstick cpl.
16	1	STM4917	Pijp	Pipe
17	1	STM4918	Pijlstok	Dipstick

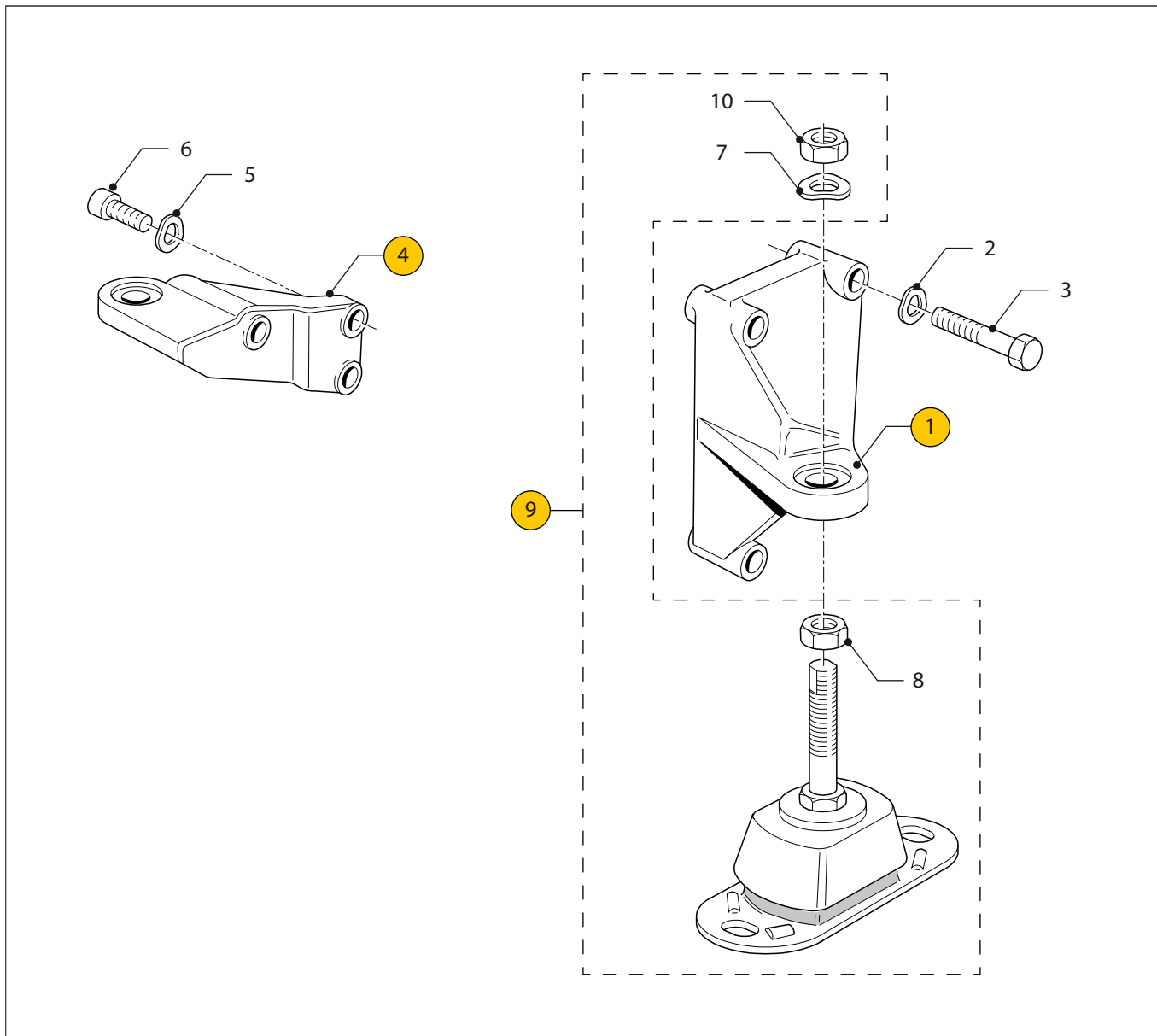


VH4.65 VH4.80

Carterpan + kleppendeksel

Oil pan + rocker cover

pos.	qty	part	benaming	description
18	1	STM4919	O-ring	O-ring
19	1	STM4920	Carterpan cpl.	Oil pan cpl.
20	1	STM4921	Carterpan	Oil pan
21	1	STM4922	Plug	Plug
22	1	STM4923	Afdichtring	Seal washer
23	24	STM4924	Bout	Bolt
24	1	STM4925	Kleppendeksel cpl.	Rocker cover cpl.
25	1	STM4926	Pijp	Pipe
26	1	STM4927	Typeplaatje	Model plate
27	1	STM4928	Kleppendeksel	Rocker cover
28	1	STM4929	Pakking	Gasket
29	1	STM4930	Afdichting	Seal
30	2	STM4931	Bout	Bolt
31	2	STM4932	Afdichting	Seal
32	1	STM4933	Dop	Cover

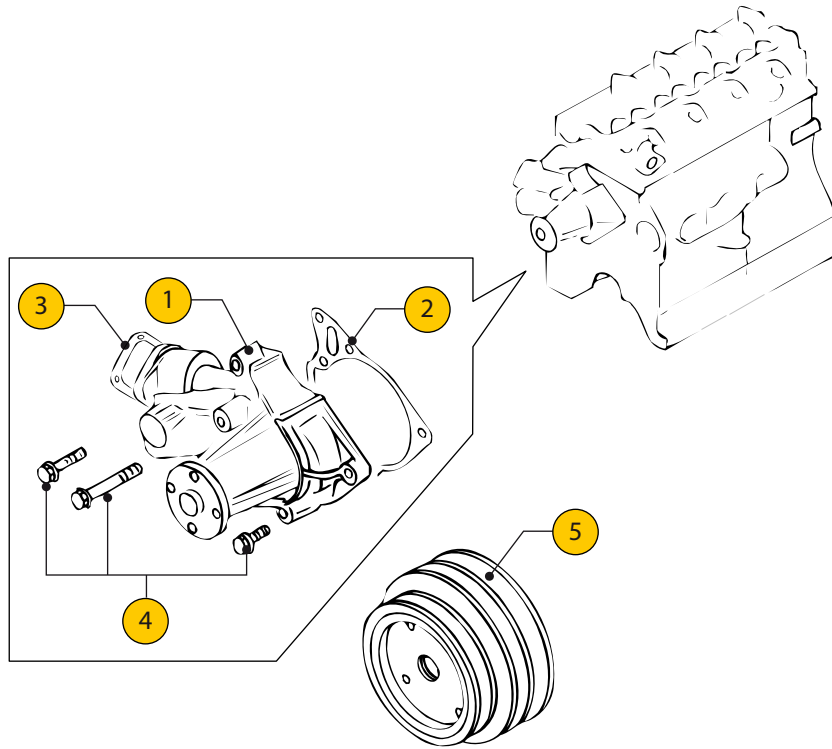


VH4.65 VH4.80

Motorsteunen

Engine supports

pos.	qty	part	benaming	description
1	1	STM4681	Voorsteun BB	Engine support PS
2	3	STM4061	Gegolfde veerring M10	Wave spring washer M10
3	3	STM4684	Bout M10x1,25x60	Bolt M10x1,25x60
4	1	STM4682	Voorsteun SB	Engine support SB
5	3	STM4061	Gegolfde veerring M10	Wave spring washer M10
6	3	STM4683	Inbusbout M10x1,25x30	Allen screw M10x1,25x30
7	1	STM4011	Gegolfde veerring M16	Wave spring washer M16
8	1	STM4641	Moer M16x1,5	Nut M16x1,5
9	2	HY100	Trillingdemper HY100	Engine mount HY100
10	1	STM4641	Moer M16x1,5	Nut M16x1,5

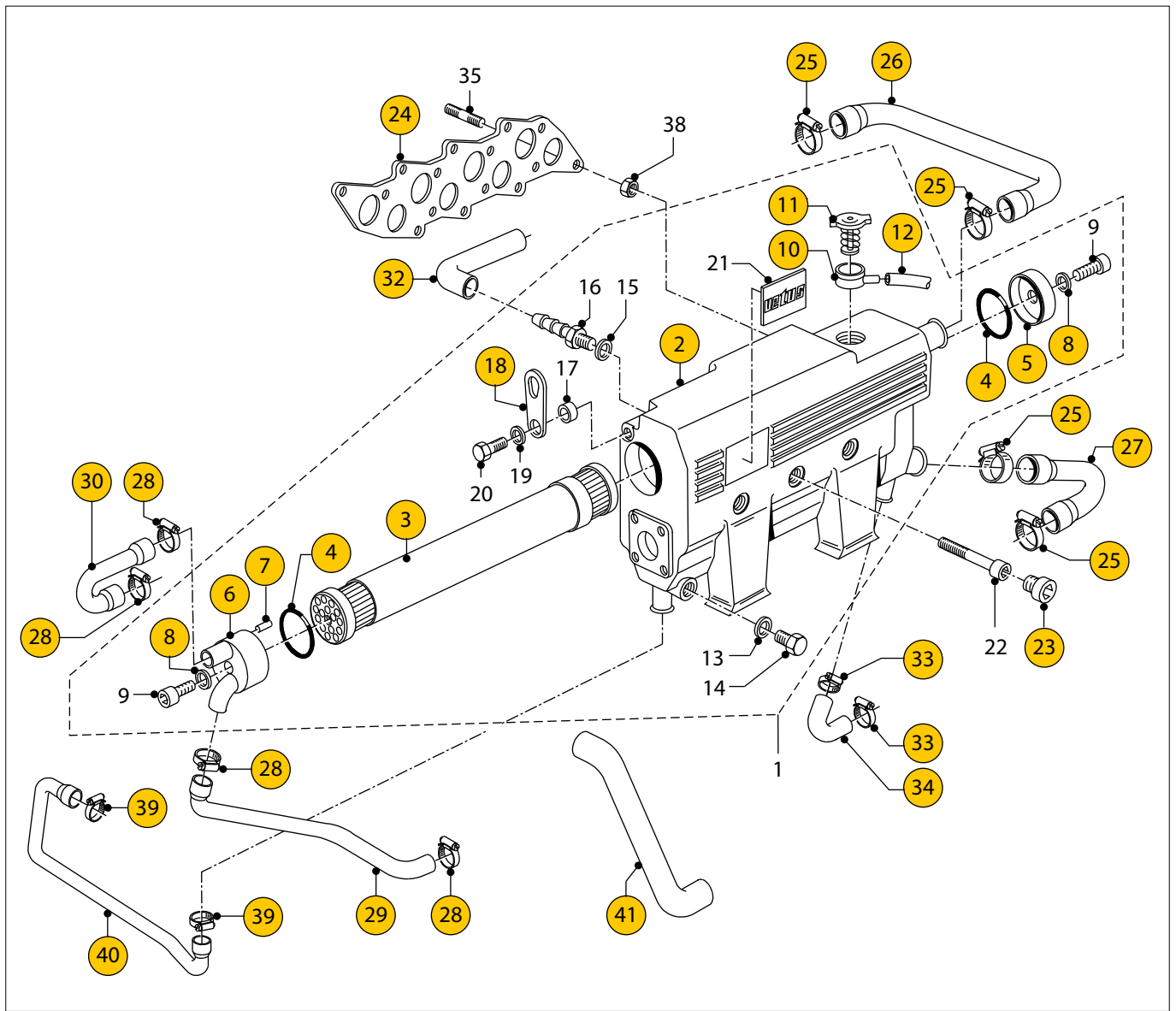


VH4.65 VH4.80

Circulatiepomp

Circulation pump

pos.	qty	part	benaming	description
①	1	STM4934	Circulatiepomp cpl.	Circulation pump cpl.
②	1	STM4935	Pakking	Gasket
③	4	STM4936	Pakking	Gasket
④	1	VP000380	Set bouten	Set bolts
⑤	1	STM4939	Snaarschijf	Pulley

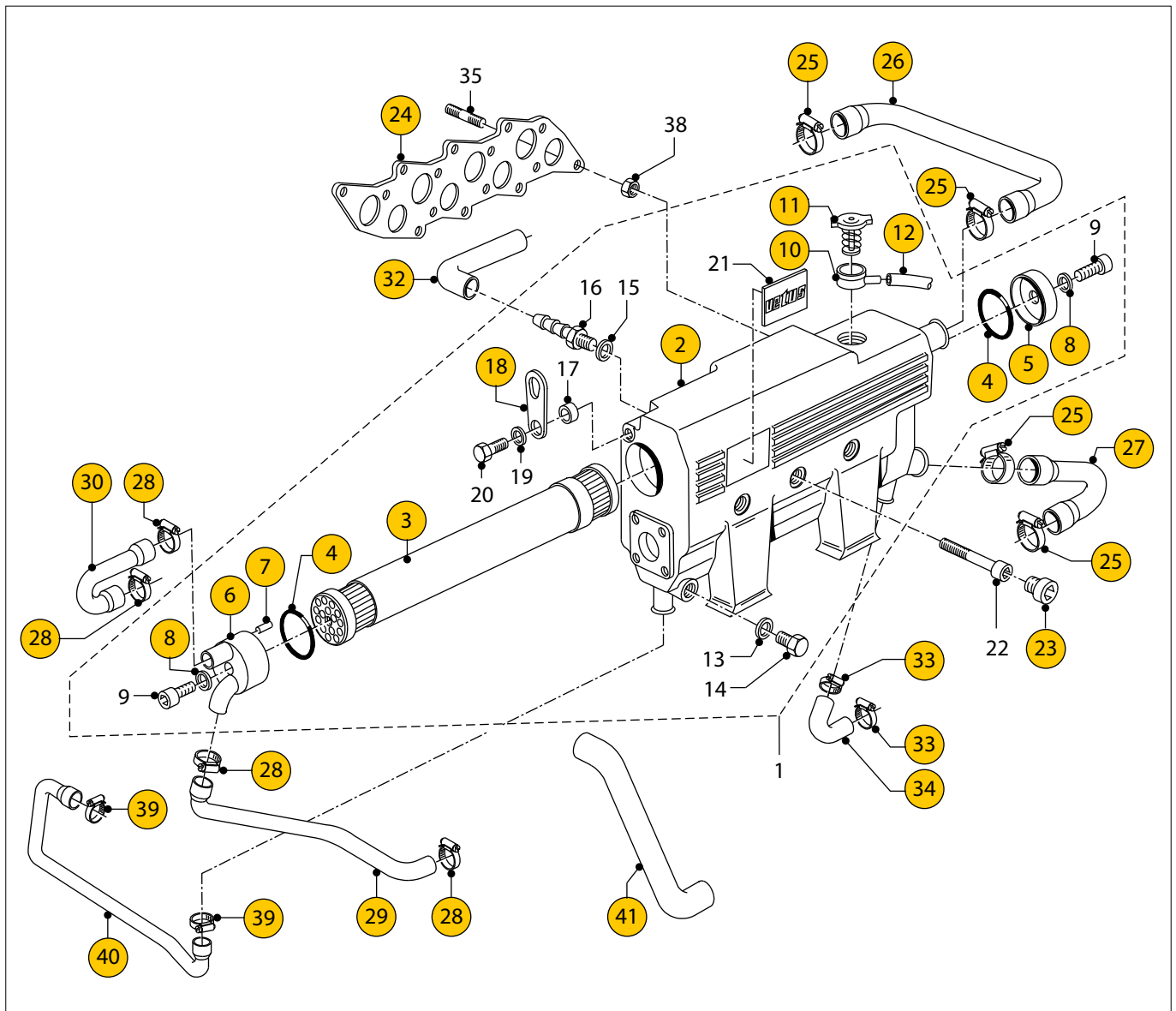


VH4.65 VH4.80

Warmtewisselaar unit (<- 03-03)

Heatexchanger unit (<- 03-03)

pos.	qty	part	benaming	description
1	1	STM4506	Warmtewisselaar compleet	Heatexchanger cpl.
2	1	STM4504	Warmtewisselaarhuis	Heatexchanger housing
3	1	STM4505	Pijpenbundel	Tube stack
4	2	STM6113	O-ring 61x2,5	O-ring 61x2,5
5	1	STM7446	Omkeerdeksel	Cover
6	1	STM6503	Aansluitdeksel	Cover
7	1	STM6130	Spanbus	Busch
8	2	08-01108	Afdichtring	Seal washer
9	2	STM1006	Inbusbout M8x30	Allen screw M8x30
10	1	18-14649	Vulnek	Filler neck
11	1	18-14715	Vuldop 0,5 Bar	Filler cap 0,5 bar
12	1	FUHOSE13	Slang	Hose
13	1	STM1062	Afdichtring	Seal washer
14	1	STM1059	Afdichtplug M14x1,5	Plug M14x1,5
15	1	STM9024	Afdichtring	Seal washer
16	1	STM4516	Slangpilaar G1/4-15mm	Hose pillar G1/4-15mm
17	1	CT30059	Ring d=4	Washer d=4
18	1	STM4518	Hijsoog	Lifting eye
19	1	STM1056	Veerring M8	Spring washer M8

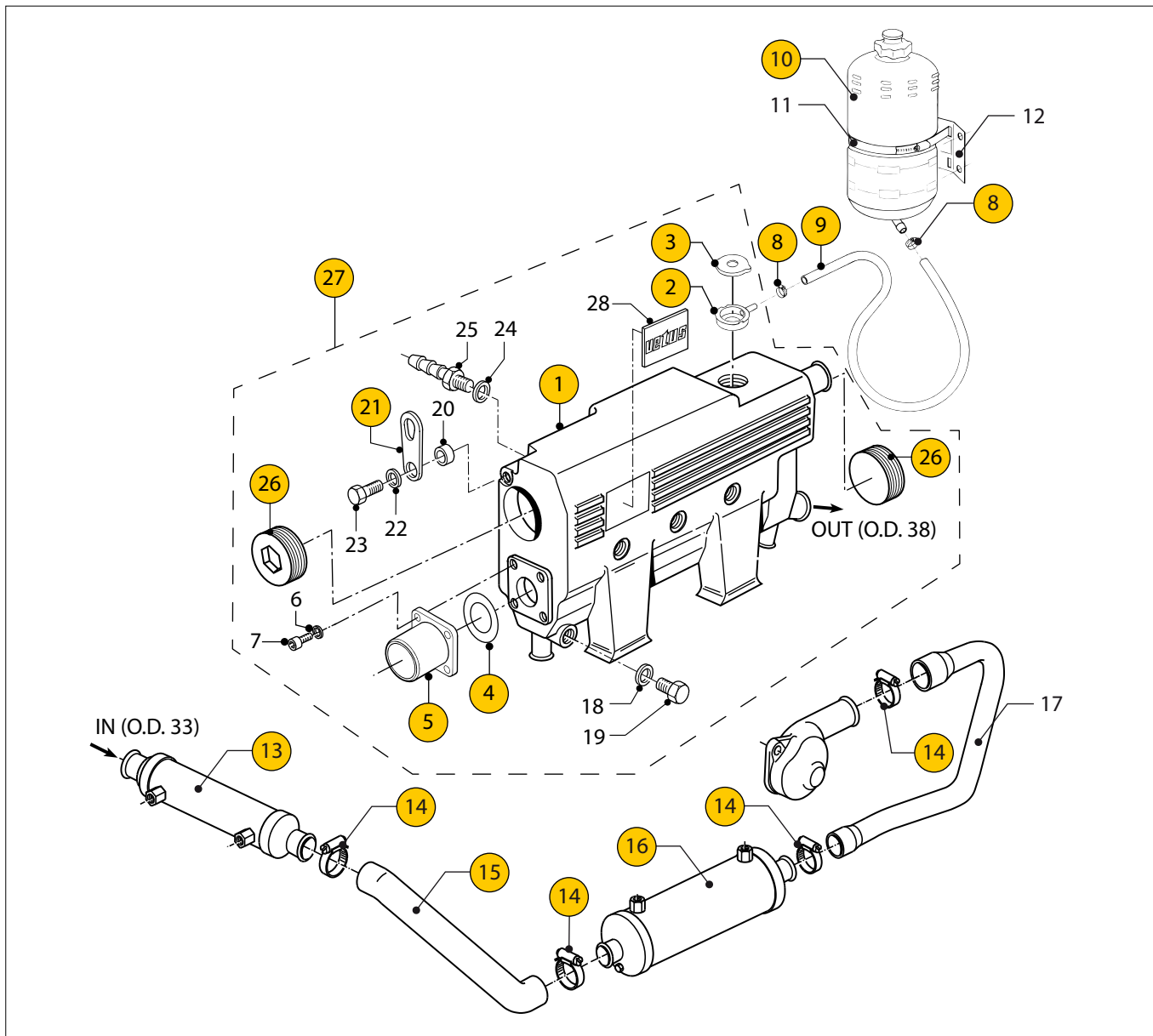


VH4.65 VH4.80

Warmtewisselaar unit (<- 03-03)

Heatexchanger unit (<- 03-03)

pos.	qty	part	benaming	description
20	1	STM1610	Bout M8x25	Bolt M8x25
21	1	STM6531	Logo plaatje	Type plate
22	4	STM4517	Inbusbout lage kop M8x100	Allen screw low head M8x100
23	3	STM4503	Plug M20x1,5	Plug M20x1,5
24	1	STM4980	Pakking	Gasket
25	4	STM3005	Slangklem 32-44	Hose clamp 32-44
26	1	STM4621	Slang cilinderkop naar ww	Hose cyl. head to heat exchanger
27	1	STM4622	Slang van ww naar thermostaat	Hose from heatex. to thermostat housing
28	4	STM3005	Slangklem 32-44	Hose clamp 32-44
29	1	STM4627	Slang van oliekoeler naar ww	Hose from oilcooler to heatex.
30	1	STM4625	Slang van ww naar injectiebocht	Hose from heatex. to inj. elbow
32	1	STM4620	Slang carterontluchting	Hose crankcase bleeding
33	2	STM2012	Slangklem 19-28	Hose clamp 19-28
34	1	STM4624	Slang by-pass/ ww uit	Hose by-pass/heatex. out
35	4	STM9744	Tapeind M8x25	Stud M8x25
38	4	STM4536	Moer M8	Nut M8
39	2	STM2012	Slangklem 19-28	Hose clamp 19-28
40	1	STM4623	Slang by-pass/ ww in	Hose by-pass/heatex. in
41	1	STM4630	Slang van motoroliekoeler naar kk oliekoeler	Hose from cooler to cooler

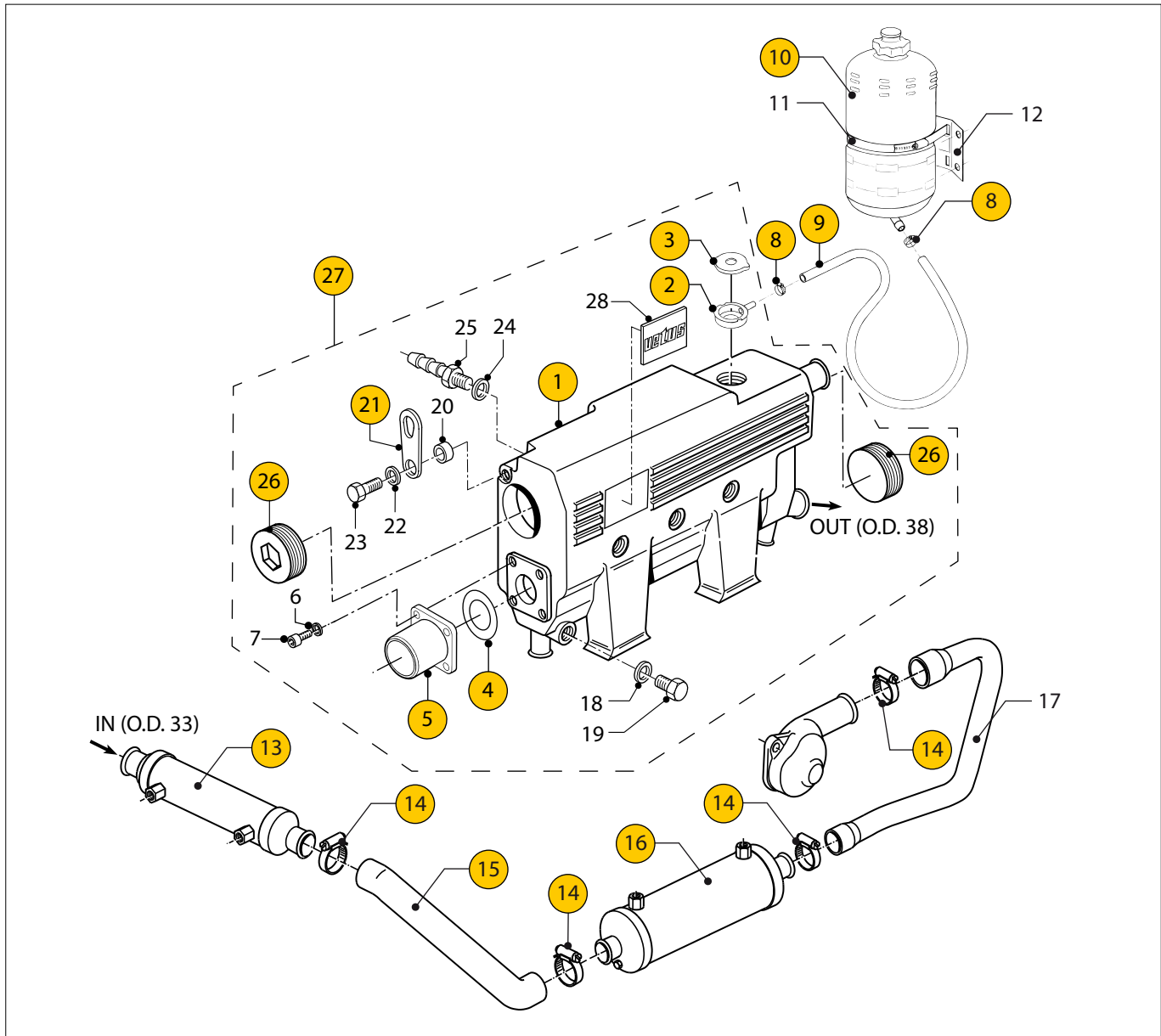


VH4.65 VH4.80

Kielkoelspruitstuk (<- 03-03)

Keelcooler manifold (<- 03-03)

pos.	qty	part	benaming	description
1	1	STM4545	Kielkoelspruitstuk	Keelcooler manifold
2	1	18-14649	Vulnek	Filler neck
3	1	18-14715	Vuldop (Do not open)	Filler cap (Do not open)
4	1	STM4559	Pakking	Gasket
5	1	STM4685	Uitlaatflens G2	Exhaust flange G2
6	4	STM1056	Veerring M8	Spring washer M8
7	4	STM3742	Inbusbout M8x20	Allen screw M8x20
8	2	HCS08	Klem	Clamp
9	1	STM9504	Slang	Hose
10	1	EXPT1,54	Expansie tank	Headertank
11	1	STM9503	Slangklem 140-180	Hose clamp 140-180
12	1	STM9502	Bevestigingsbeugel	Support
13	1	STM3771	Oliekoeler 9" x ø55 - G3/8 - ø33 mm	Oil cooler 9" x ø55 - G3/8 - ø33 mm
14	4	STM3005	Slangklem 32-44	Hose clamp 32-44
15	1	STM4630	Slang	Hose
16	1	STM4995	Motoroliekoeler 9"x ø75- G 1/2-ø33	Engine oilcooler 9"x ø75- G 1/2-ø33
17	1	STM4546	Slang	Hose
18	1	STM1062	Afdichtring	Seal washer

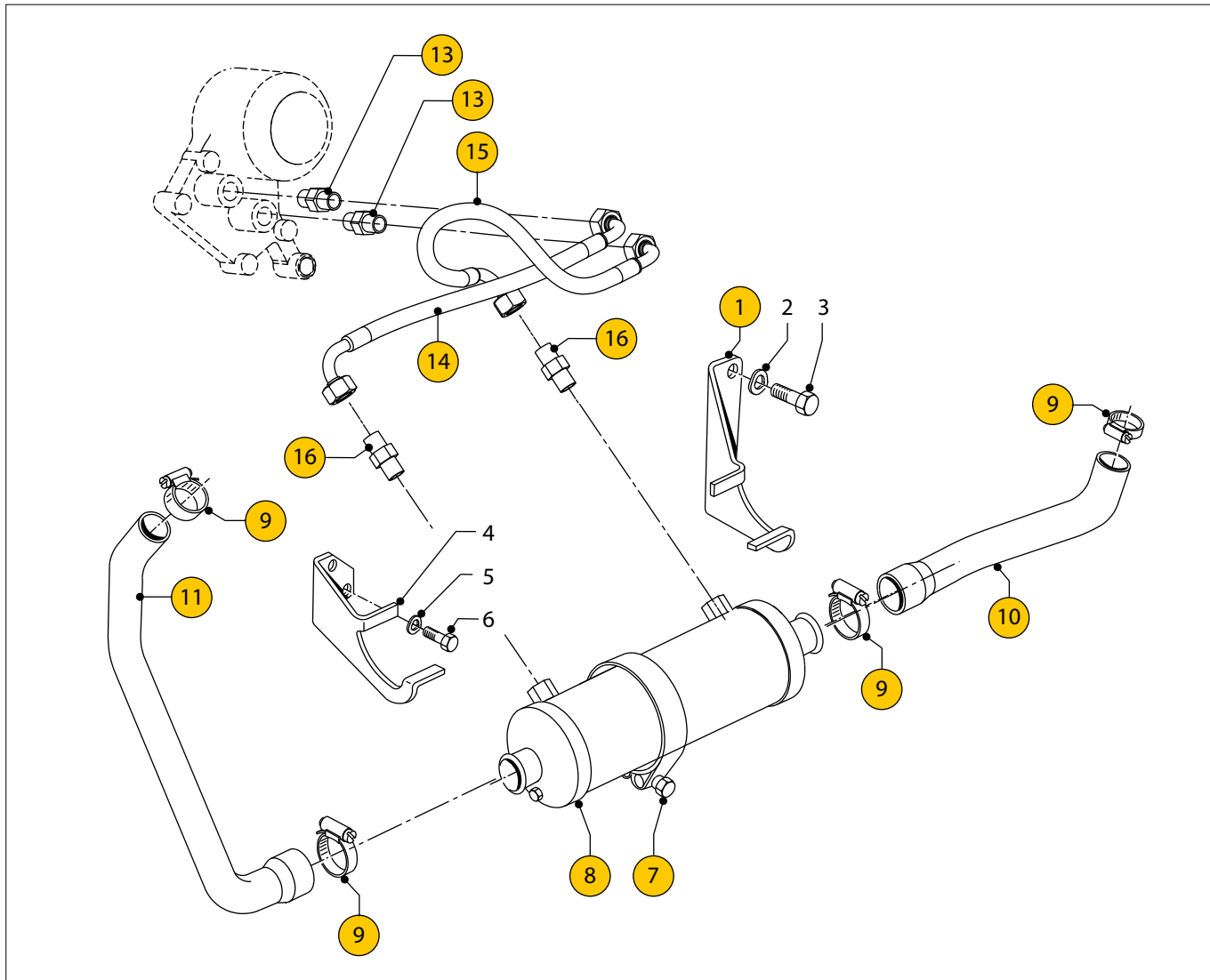


VH4.65 VH4.80

Kielkoelspruitstuk (<- 03-03)

Keelcooler manifold (<- 03-03)

pos.	qty	part	benaming	description
19	1	STM1059	Afdichtplug M14x1,5	Plug M14x1,5
20	1	CT30059	Ring d=4	Washer d=4
21	1	STM4518	Hijsoog	Lifting eye
22	1	STM1056	Veerring M8	Spring washer M8
23	1	STM1610	Bout M8x25	Bolt M8x25
24	1	STM9024	Afdichtring	Seal washer
25	1	STM4516	Slangpilaar G1/4-15mm	Hose pillar G1/4-15mm
26	2	STM4043	Plug G1,5	Plug G1,5
27	1	STM4544	Kielkoelspruitstuk compleet	Keelcooler manifold cpl.
28	1	STM6531	Logo plaatje	Type plate

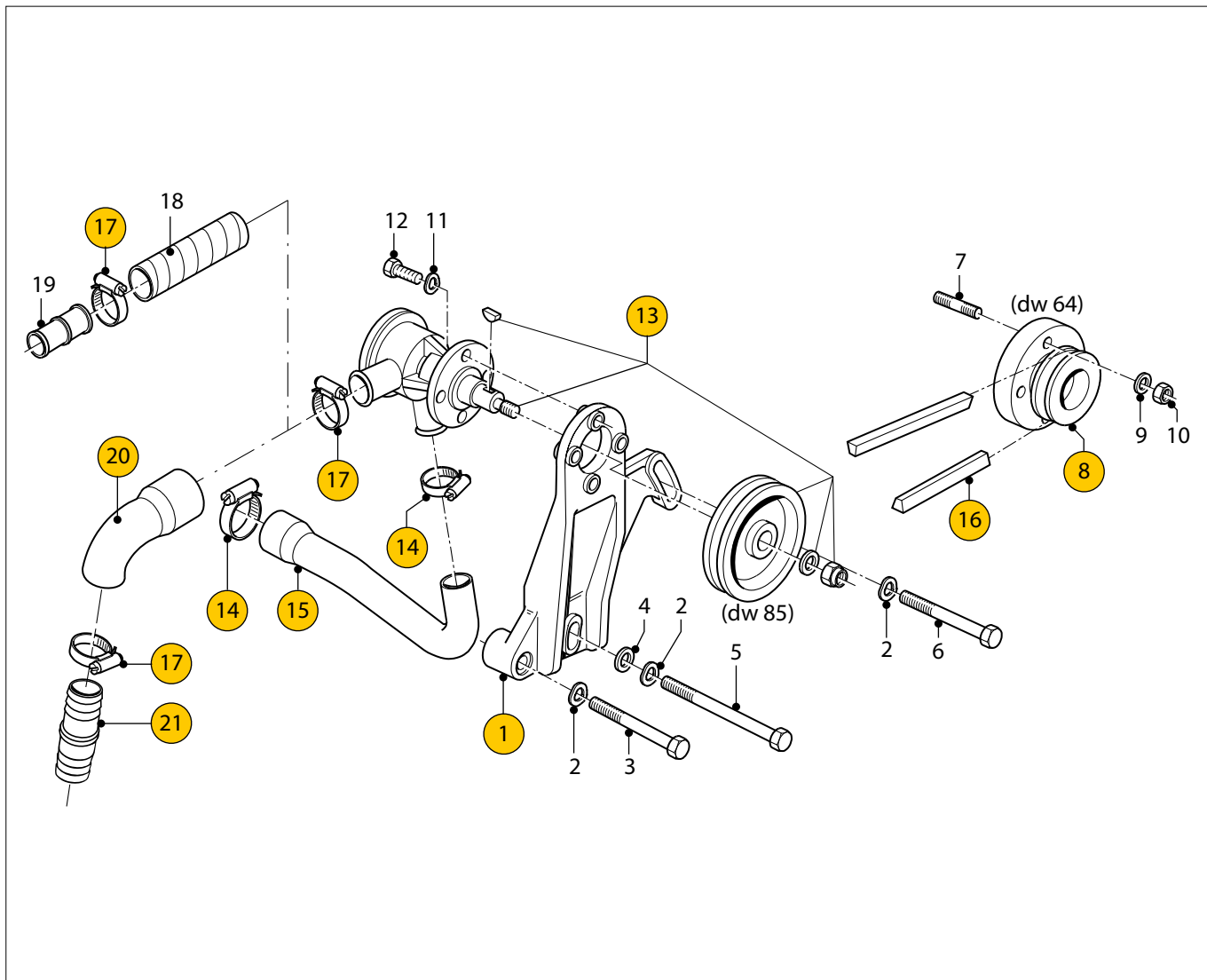


VH4.65 VH4.80

Motoroliekoeler (Interkoeluitvoering)

Engine oilcooler (Inter-cool version)

pos.	qty	part	benaming	description
1	1	STM4633	Bevestigingssteun voorzijde	Support front side
2	2	STM4014	Veerring M10	Spring washer M10
3	2	STM9060	Bout M10x1,25x20	Bolt M10x1,25x20
4	1	STM4634	Bevestigingssteun achterzijde	Support back side
5	2	STM1025	Gegolfde veerring M6	Wave spring washer M6
6	2	STM1029	Bout M6x12	Bolt M6x12
7	2	HCHD073	Klem	Clamp
8	1	STM4995	Motoroliekoeler 9"xø75- G 1/2-ø33	Engine oilcooler 9"xø75- G 1/2-ø33
9	4	STM3005	Slangklem 32-44	Hose clamp 32-44
10	1	STM4626	Slang van zeewaterpomp naar motoroliekoeler	Hose from rawwaterpump to engine oilcooler
11	1	STM4627	Slang van motoroliekoeler naar ww	Hose from engine oilcooler to heatexchanger
13	2	STM4988	Nippel 3/8 BPST x M16x1,5	Nipple 3/8 BPST x M16x1,5
14	1	STM4989	Olieslang motor uit	Oil hose engine out
15	1	STM4990	Olieslang motor in	Oil hose engine in
16	2	STM4991	Nippel G 1/2 - G 1/2	Nipple G 1/2 - G 1/2

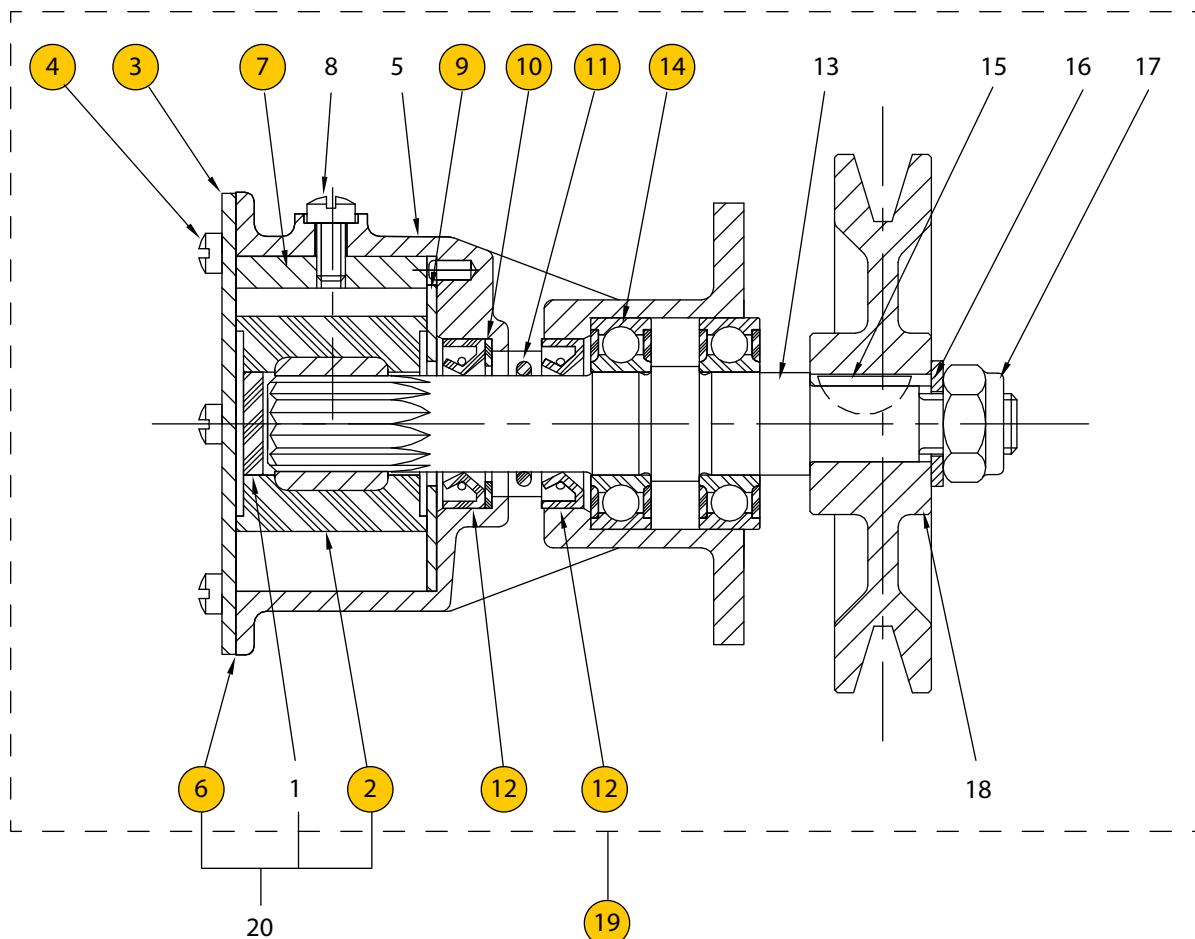


VH4.65 VH4.80

Zeewaterpomp bevestiging

Seawaterpump fastening

pos.	qty	part	benaming	description
1	1	STM4520	Steun	Support
2	3	STM1019	Gegolfde veerring M8	Wave spring washer M8
3	1	STM4517	Inbusbout M8x100	Allen screw M8x100
4	1	STM3749	Ring M8	Washer M8
5	1	STM6121	Bout M8x110	Bolt M8x110
6	1	STM8126	Bout M8x90	Bolt M8x90
7	4	STM9744	Tapeind M8x25	Stud M8x25
8	1	STM4521	V-snaarschijf	V-belt
9	4	STM1019	Gegolfde veerring M8	Wave spring washer M8
10	4	STM2005	Moer M8	Nut M8
11	4	STM1606	Gegolfde veerring M7	Wave spring washer M7
12	4	STM7003	Bout M7x20	Bolt M7x20
13	1	STM4522	Zeewaterpomp full cam	Seawater pump full cam
14	2	STM3005	Slangklem 32-44	Hose clamp 32-44
15	1	STM4626	Slang van zeewaterpomp naar oliekoeler	Hose rawwaterpump to oilcooler
16	1	STM4523	V-snaar 10x780	V-belt 10x780
17	2	HCS25	Slangklem 25-40	Hose clamp 25-40
18	1	STM4671	Slang (<- 03-03)	Hose (<- 03-03)
19	1	STM4672	Verloop 28,5-25 (<- 03-03)	Adapter 28,5-25 (<- 03-03)
20	1	STM4674	Slang (03-03 ->)	Hose (03-03 ->)
21	1	STM4675	Pijp ø 25 (03-03 ->)	Pipe ø 25 (03-03 ->)

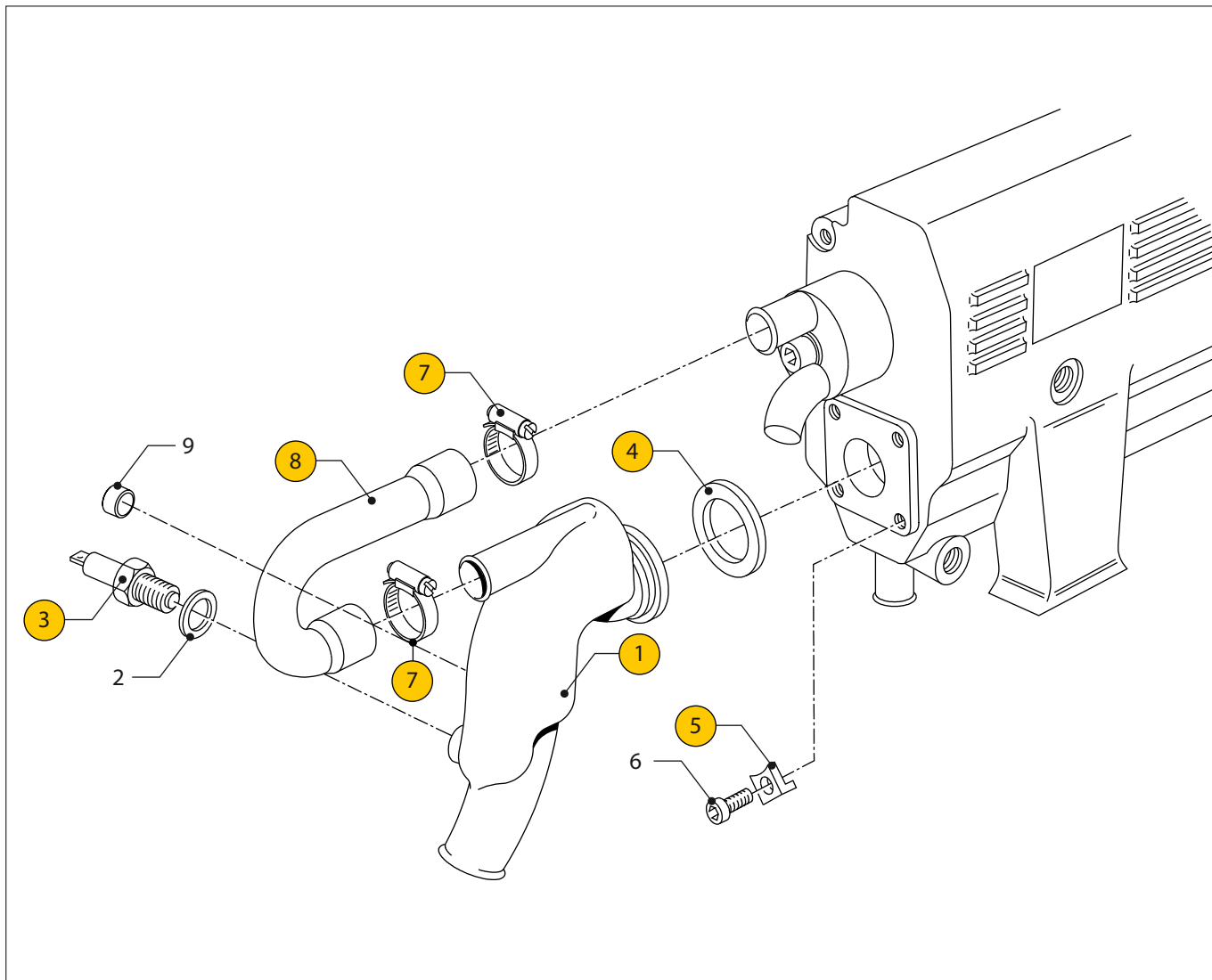


VH4.65 VH4.80

Zeewaterpomp

Seawater pump

pos.	qty	part	benaming	description
1	1	STM4651	Plug	Spline plug
②	1	STM8074	Impeller	Impeller
③	1	STM6164	Eindeksel	End cover
④	6	STM4654	Eindeksel bout	End cover screw
5	1	STM4655	Huis	Body
⑥	1	STM8603	Pakking	Gasket
⑦	1	STM6588	Kam (full cam) 5,35 mm	Cam (full cam) 5,35 mm
8	1	STM6590	Kam schroef	Cam screw
⑨	1	STM6591	Slijtplaat	Wear plate
⑩	1	STM4660	Vulring	Seal spacer
⑪	1	STM4661	O-ring (slingerring)	O-ring
⑫	2	STM6592	Keerring	Lip seal
13	1	STM4663	As	Shaft
⑭	2	STM4664	Lager	Ball bearing
15	1	STM4665	Spie	Key
16	1	STM4666	Ring	Washer
17	1	STM4667	Nyloc moer	Nyloc nut
18	1	STM4668	V-snaarschijf	Pulley
⑰	1	STM4522	Zeewaterpomp compleet	Seawater pump cpl.
20	1	STM4669	Service kit (1+2+6)	Service kit (1+2+6)

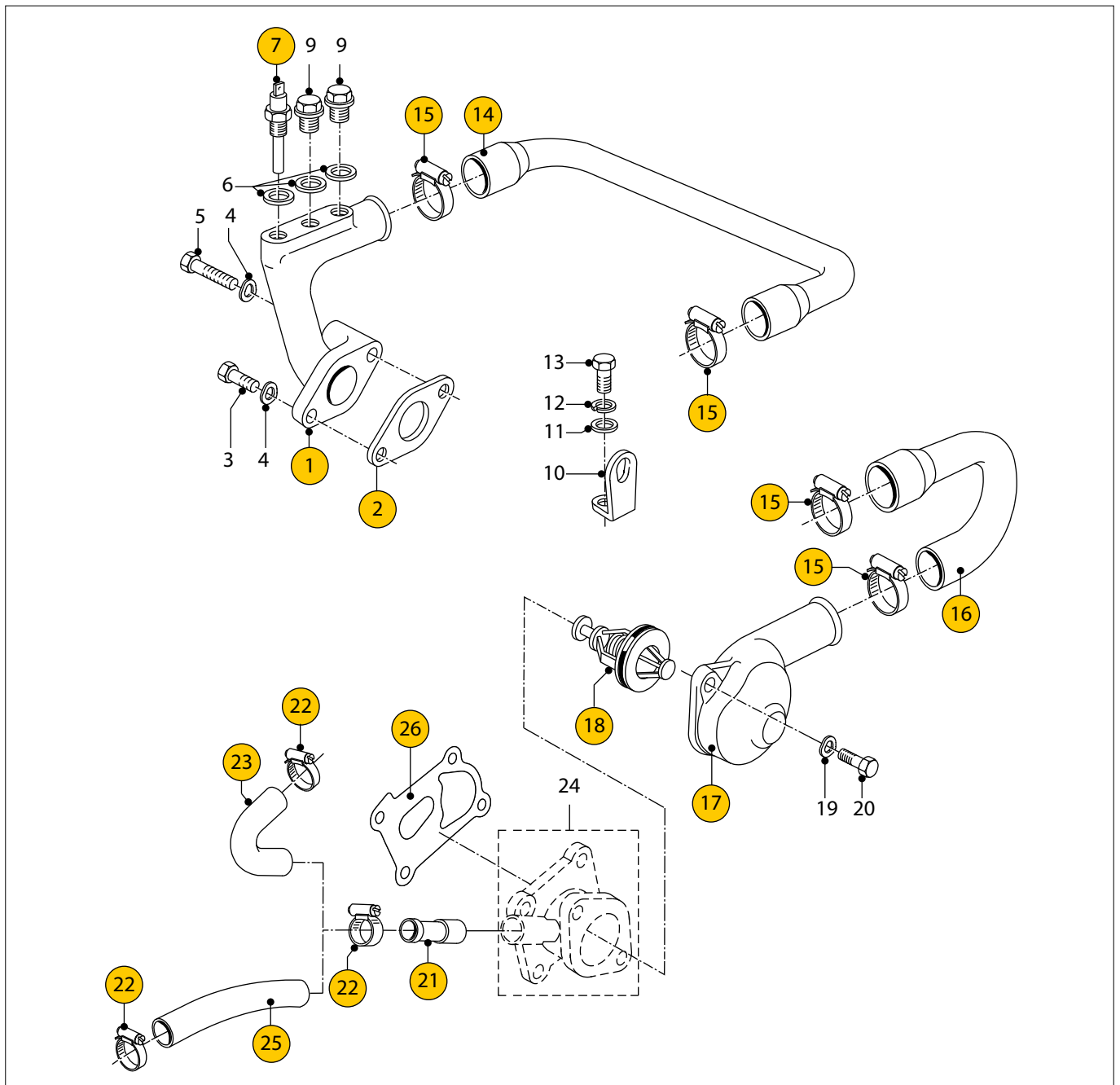


VH4.65 VH4.80

Uitlaat injectiebocht

Exhaust injection elbow

pos.	qty	part	benaming	description
1	1	STM4560	Uitlaat injectiebocht \varnothing 60 VH4.65	Exhaust injection elbow \varnothing 60 VH4.65
	1	STM4575	Uitlaat injectiebocht \varnothing 75 VH4.80	Exhaust injection elbow \varnothing 75 VH4.80
2	1	STM2019	Afdichtring M18	Seal washer M18
3	1	STM2006	Buitenwatertemperatuur schakelaar M18x1,5 12-24V 75°C	Raw water temp. switch M18x1,5 12-24V 75°C
4	1	STM4559	Pakking	Gasket
5	4	STM6126	Klemplaat	Clamp plate
6	4	STM6299	Inbusbout lage kop M8x22	Allen screw low head M8x22
7	2	STM3005	Slangklem 32-44	Hose clamp 32-44
8	1	STM4625	Slang uitlaat injectiebocht	Hose exhaust inj. elbow
9	1	STM3071	Plug G3/8	Plug G3/8

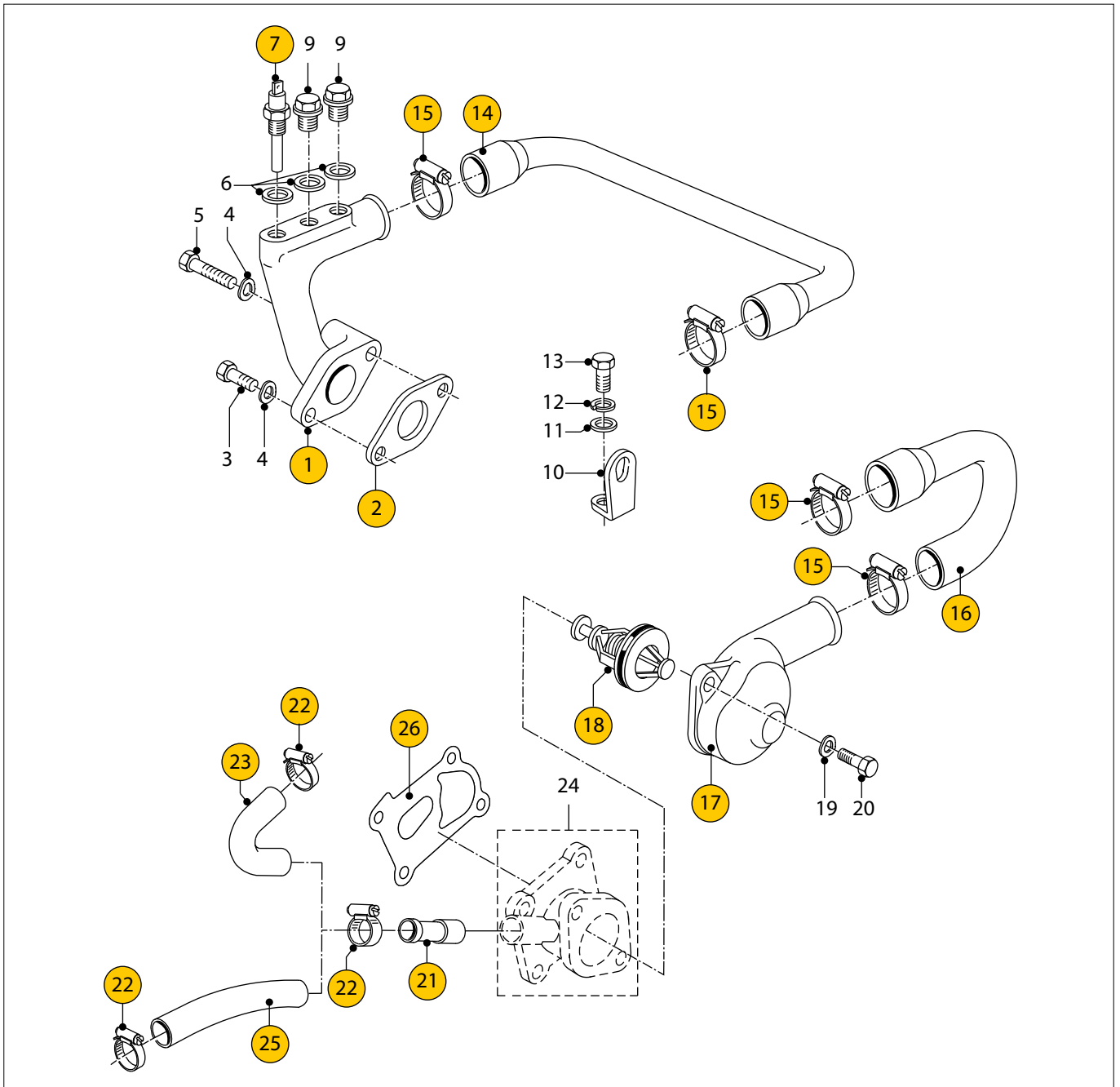


VH4.65 VH4.80

Thermostaat

Thermostat

pos.	qty	part	benaming	description
1	1	STM4540	Water uitlaatbocht	Water outlet elbow
2	1	STM4541	Pakking	Gasket
3	1	STM1610	Bout M8x25	Bolt M8x25
4	2	STM1019	Gegolfde veerring M8	Wave spring washer M8
5	1	STM9256	Bout M8x55	Bolt M8x55
6	3	STM1062	Afdichtring M14	Seal washer M14
7	1	STM8322	Binnenwater temperatuur schakelaar M14x1,5 12-24V 105°C	Temp.switch coolant M14x1,5 12-24V 105°C
9	2	STM1059	Plug M14x1,5	Plug M14x1,5
10	1	STM4524	Hijsoog	Lifting eye
11	1	STM1653	Ring 8 mm	Washer 8 mm
12	1	STM1056	Veerring M8	Spring washer M8
13	1	STM1610	Bout M8x25	Bolt M8x25
14	1	STM4621	Slang van cilinderkop naar ww	Hose from cyl. head to heatex.
15	4	STM3005	Slangklem 32-44	Hose clamp 32-44

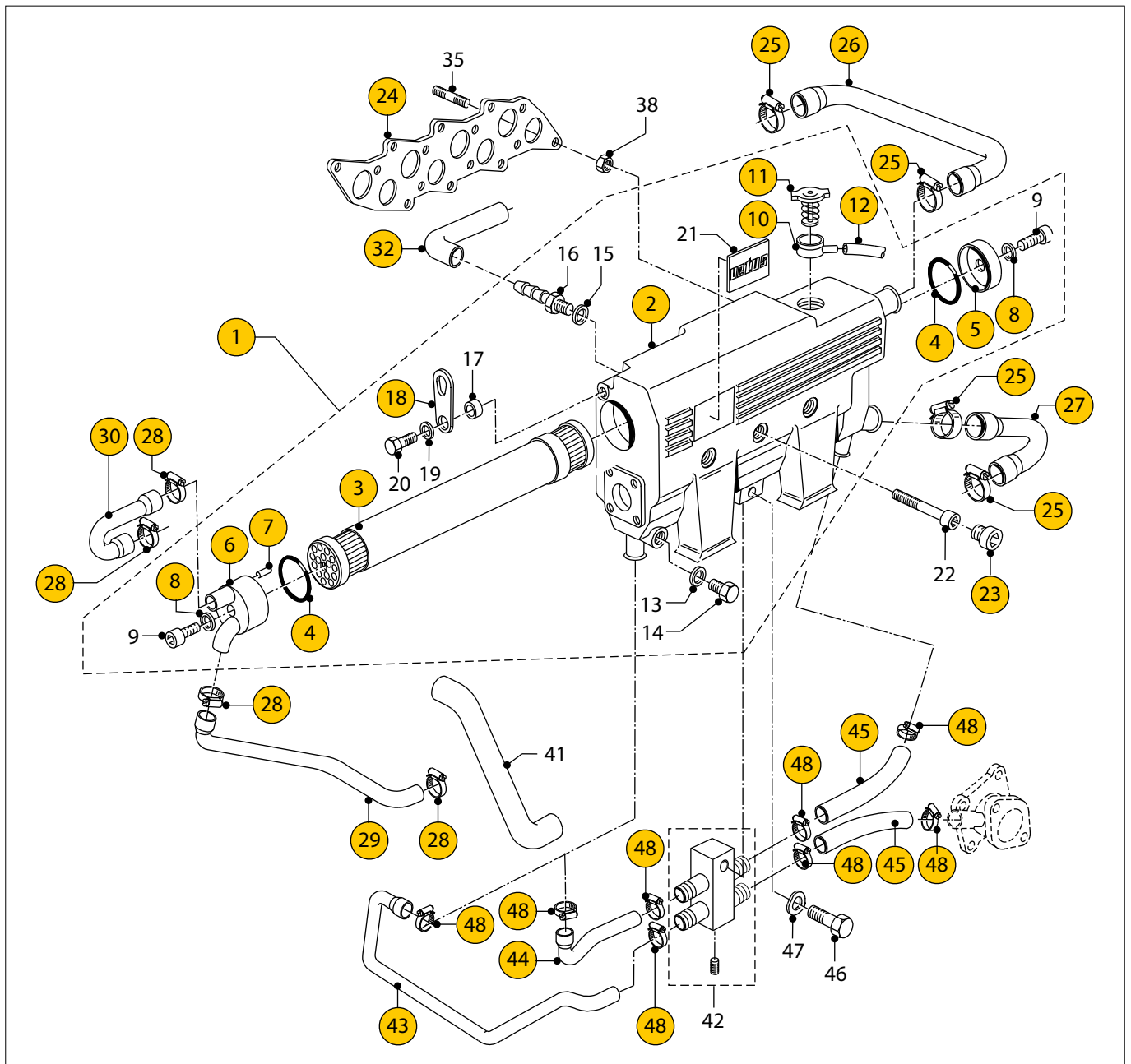


VH4.65 VH4.80

Thermostaat

Thermostat

pos.	qty	part	benaming	description
16	1	STM4622	Slang van ww naar thermostaathuis	Hose from heatex. to thermostat housing
17	1	STM4530	Thermostaathuisdeksel	Cover
18	1	STM4976	Thermostaat 76°C	Thermostat 76°C
19	2	STM1019	Gegolfde veerring M8	Wave spring washer M8
20	2	STM8829	Inbusbout M8x25	Allen screw M8x25
21	1	STM4531	Pijp	Pipe
22	2	HCS16	Slangklem 19-28	Hose clamp 19-28
23	1	STM4624	Slang by-pass/ ww uit (<- 03-03)	Hose by-pass/heatex. out (<- 03-03)
24	1	STM4534	Thermostaathuis	Thermostat housing
25	1	STM4585	Slang (03-03 ->)	Hose (03-03 ->)
26	1	STM4936	Pakking	Gasket

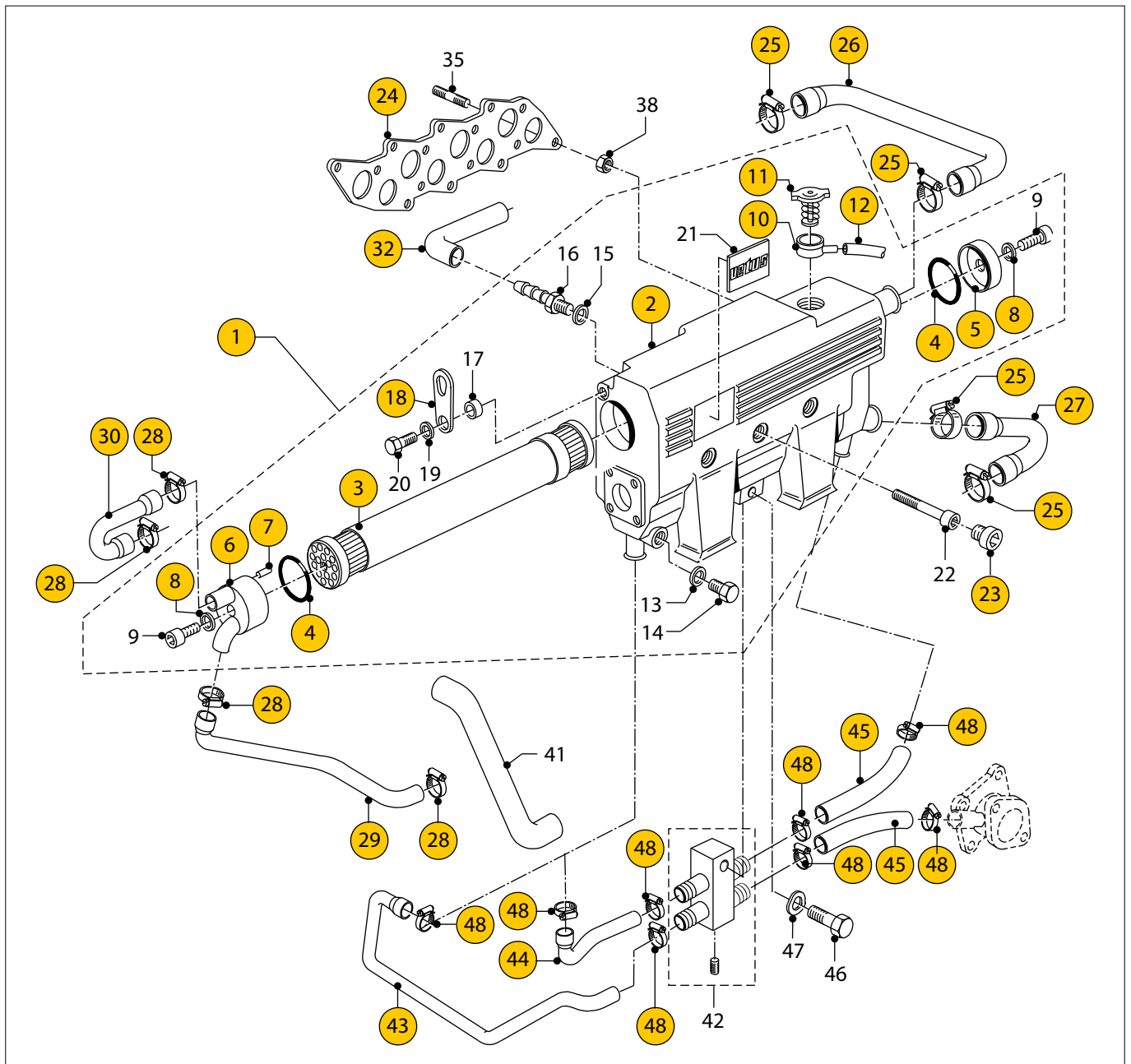


VH4.65 VH4.80

Warmtewisselaar unit (03-03 ->)

Heatexchanger unit (03-03 ->)

pos.	qty	part	benaming	description
1	1	STM4506	Warmtewisselaar compleet	Heatexchanger cpl.
2	1	STM4504	Warmtewisselaarhuis	Heatexchanger housing
3	1	STM4505	Pijpenbundel	Tube stack
4	2	STM6113	O-ring 61x2,5	O-ring 61x2,5
5	1	STM7446	Omkeerdeksel	Cover
6	1	STM6503	Aansluitdeksel	Cover
7	1	STM6130	Spanbus	Busch
8	2	08-01108	Afdichtring	Seal washer
9	2	STM1006	Inbusbout M8x30	Allen screw M8x30
10	1	18-14649	Vulnek	Filler neck
11	1	18-14715	Vuldop 0,5 Bar	Filler cap 0,5 bar
12	1	FUHOSE13	Slang	Hose
13	1	STM1062	Afdichtring	Seal washer
14	1	STM1059	Afdichtplug M14x1,5	Plug M14x1,5
15	1	STM9024	Afdichtring	Seal washer
16	1	STM4516	Slangpilaar G1/4-15mm	Hose pillar G1/4-15mm

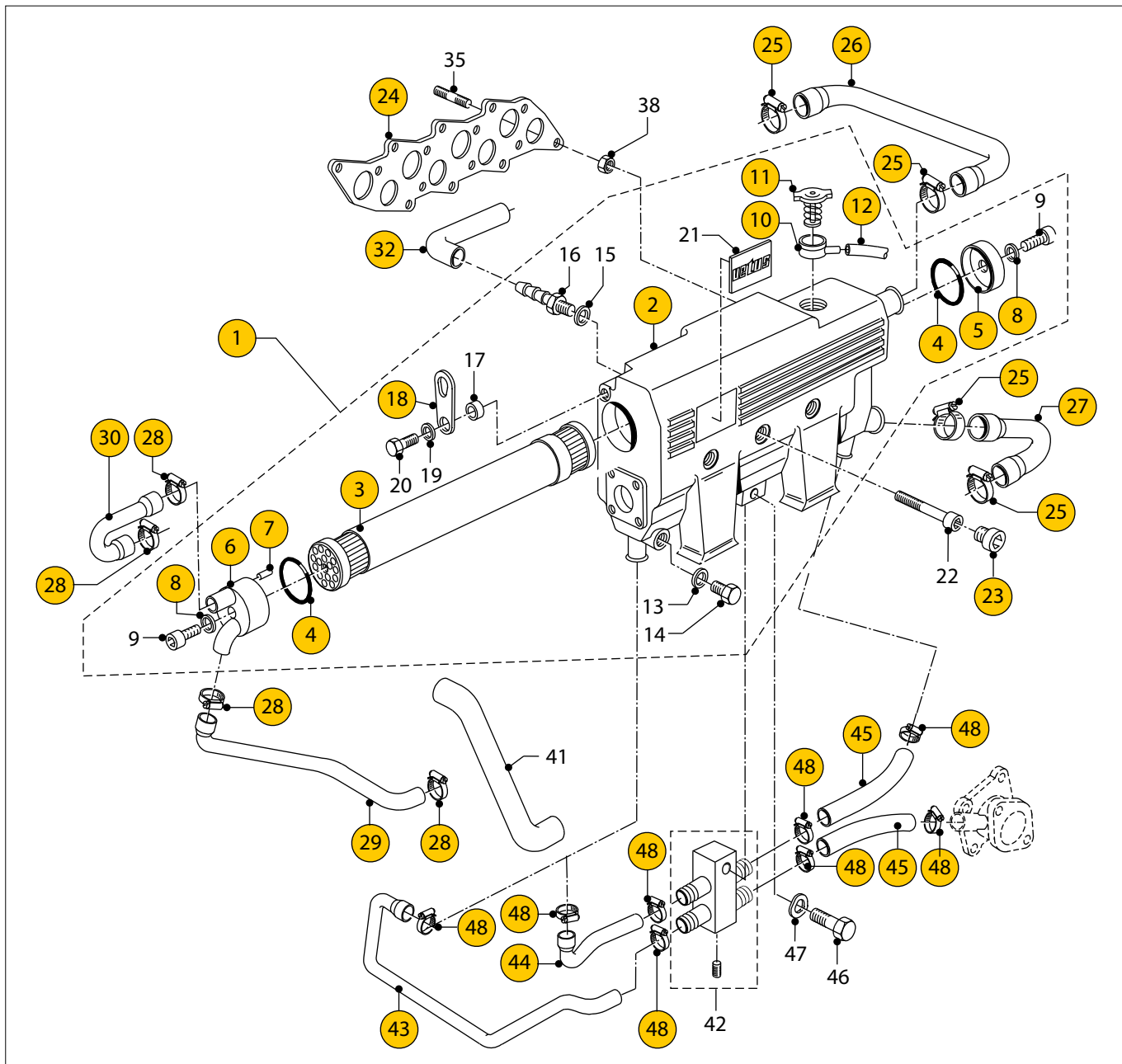


VH4.65 VH4.80

Warmtewisselaar unit (03-03 ->)

Heatexchanger unit (03-03 ->)

pos.	qty	part	benaming	description
17	1	CT30059	Ring d=4	Washer d=4
18	1	STM4518	Hijsoog	Lifting eye
19	1	STM1056	Veerring M8	Spring washer M8
20	1	STM1610	Bout M8x25	Bolt M8x25
21	1	STM6531	Logo plaatje	Type plate
22	4	STM4517	Inbusbout lage kop M8x100	Allen screw low head M8x100
23	3	STM4503	Plug M20x1,5	Plug M20x1,5
24	1	STM4980	Pakking	Gasket
25	4	STM3005	Slangklem 32-44	Hose clamp 32-44
26	1	STM4621	Slang cylinderkop naar ww	Hose cyl. head to heat exchanger
27	1	STM4622	Slang van ww naar thermostaat	Hose from heatex. to thermostat housing
28	4	STM3005	Slangklem 32-44	Hose clamp 32-44
29	1	STM4627	Slang van oliekoeler naar ww	Hose from oilcooler to heatex.
30	1	STM4625	Slang van ww naar injectiebocht	Hose from heatex. to inj. elbow
32	1	STM4620	Slang carterontluchting	Hose crankcase bleeding
35	4	STM9744	Tapeind M8x25	Stud M8x25

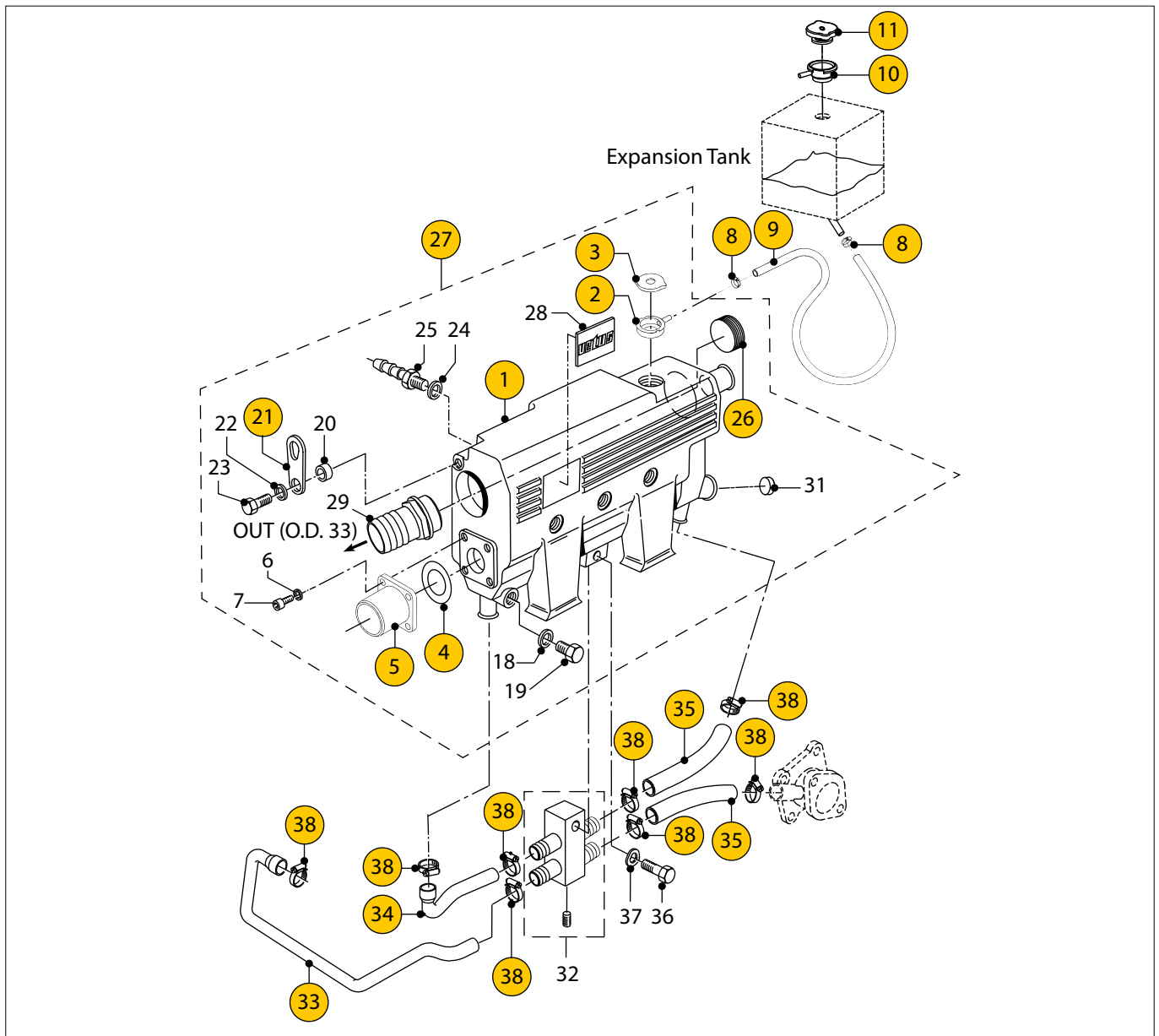


VH4.65 VH4.80

Warmtewisselaar unit (03-03 ->)

Heatexchanger unit (03-03 ->)

pos.	qty	part	benaming	description
38	4	STM4536	Moer M8	Nut M8
41	1	STM4630	Slang van motoroliekoeler naar kk oliekoeler	Hose from cooler to cooler
42	1	STM4586	Verdeelstuk compleet	Manifold cpl.
43	1	STM4583	Slang	Hose
44	1	STM4584	Slang	Hose
45	2	STM4585	Slang	Hose
46	1	STM4055	Bout M8x30	Bolt M8x30
47	1	STM1056	Veerring M8	Spring washer M8
48	8	STM2012	Slangklem 19-28	Hose clamp 19-28

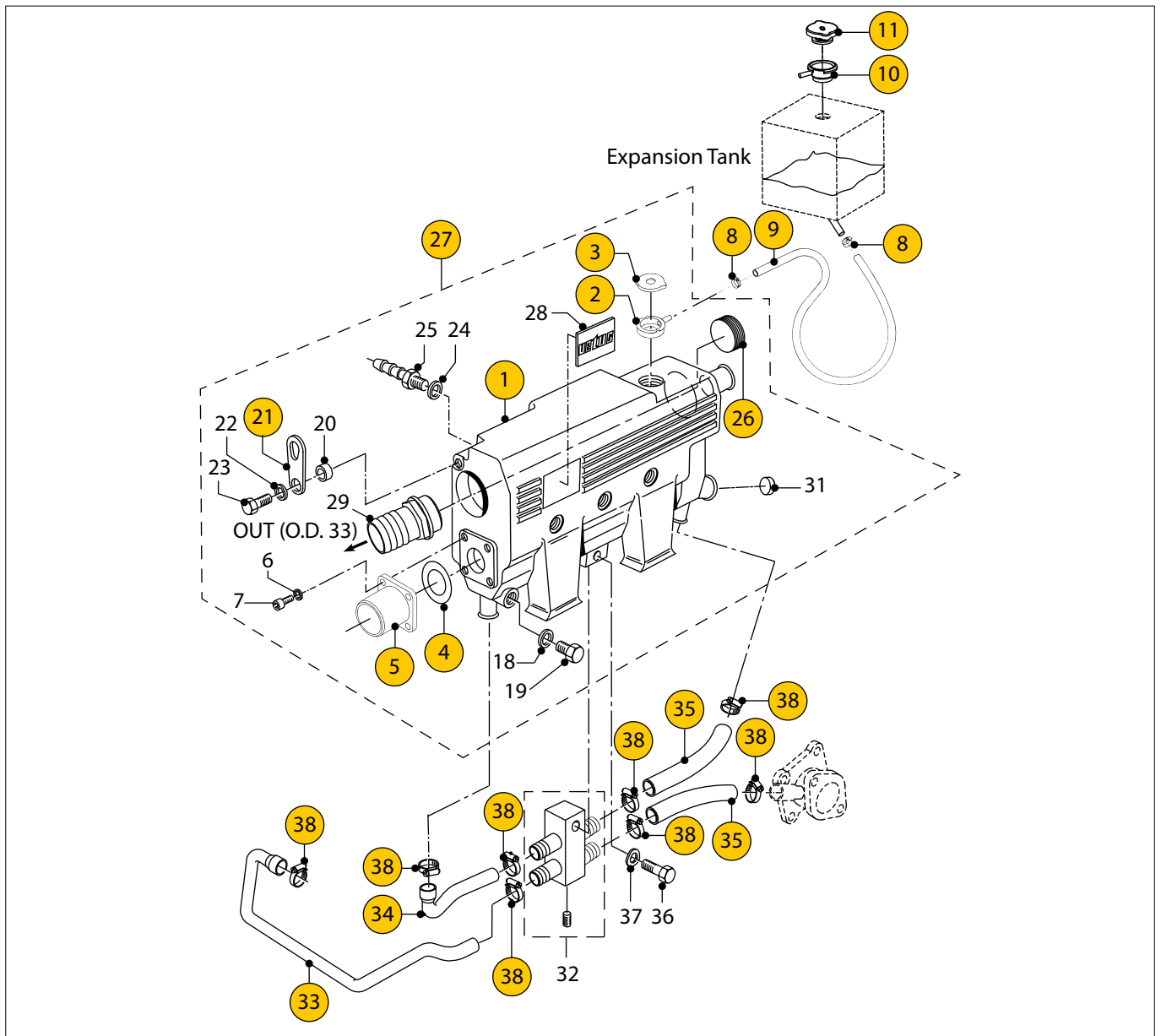


VH4.65 VH4.80

Kielkoelspruitstuk (03-03 ->)

Keelcooler manifold (03-03 ->)

pos.	qty	part	benaming	description
1	1	STM4545	Kielkoelspruitstuk	Keelcooler manifold
2	1	18-14649	Vulnek	Filler neck
3	1	18-14715	Vuldop (Do not open)	Filler cap (Do not open)
4	1	STM4559	Pakking	Gasket
5	1	STM4685	Uitlaatflens G2	Exhaust flange G2
6	4	STM1056	Veerring M8	Spring washer M8
7	4	STM3742	Inbusbout M8x20	Allen screw M8x20
8	2	HCS08	Klem	Clamp
9	1	STM9504	Slang	Hose
10	1	18-14649	Vulnek	Filler neck
11	1	STM1017	Vul/drukcap 0,5 bar	Filler/pressure cap 0.5 bar
13	1	STM3771	Oliekoeler 9" x ø55 - G3/8 - ø33 mm	Oil cooler 9" x ø55 - G3/8 - ø33 mm
14	4	STM3005	Slangklem 32-44	Hose clamp 32-44
15	1	STM4630	Slang	Hose
16	1	STM4995	Motoroliekoeler 9"xø75- G 1/2-ø33	Engine oilcooler 9"xø75- G 1/2-ø33
17	1	STM4677	Slang	Hose
18	1	STM1062	Afdichtring	Seal ring
19	1	STM1059	Afdichtplug M14 x 1,5	Seal plug M14 x 1.5

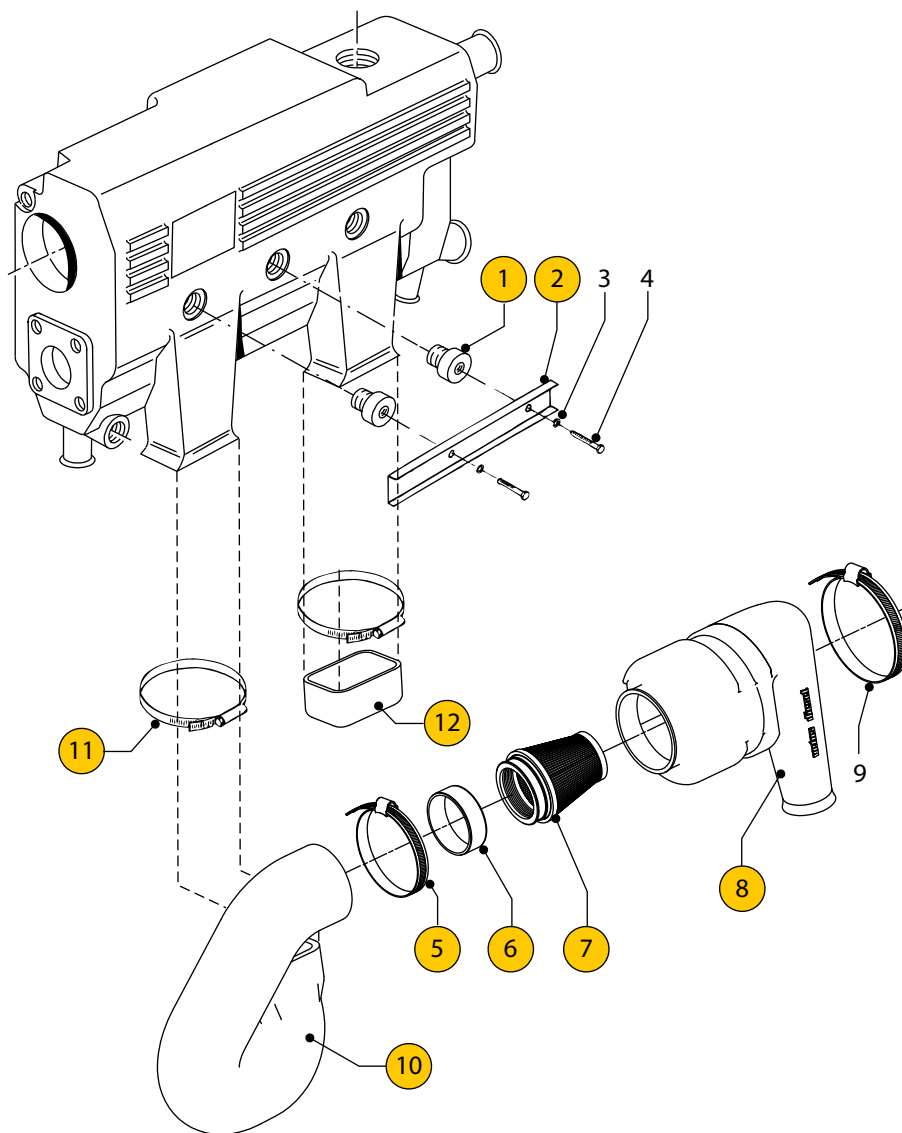


VH4.65 VH4.80

Kielkoelspruitstuk (03-03 ->)

Keelcooler manifold (03-03 ->)

pos.	qty	part	benaming	description
20	1	CT30059	Ring d=4	Washer d=4
21	1	STM4518	Hijsoog	Lifting hook
22	1	STM1056	Veerring M8	Spring washer M8
23	1	STM1610	Bout M8x25	Bolt M8x25
24	1	STM9024	Afdichtring	Seal ring
25	1	STM4526	Slangpilaar G 1/4 - 15 mm	Hose pillar G 1/4 - 15 mm
26	1	STM4043	Plug G 1 1/2	Plug G 1 1/2
27	1	STM4544	Kielkoelspruitstuk compleet	Keelcooler manifold complete
28	1	STM6531	Logoplaatje	Type plate
29	1	STM7673	Slangpilaar G 1 1/2 - 33 mm	Hose pillar G 1 1/2 - 33 mm
31	1	STM8169	Plug G1	Plug G1
32	1	STM4586	Verdeelstuk compleet	Manifold cpl.
33	1	STM4583	Slang	Hose
34	1	STM4584	Slang	Hose
35	2	STM4585	Slang	Hose
36	1	STM4055	Bout M8x30	Bolt M8x30
37	1	STM1056	Veerring M8	Spring washer M8
38	8	STM2012	Slangklem 19-28	Hose clamp 19-28

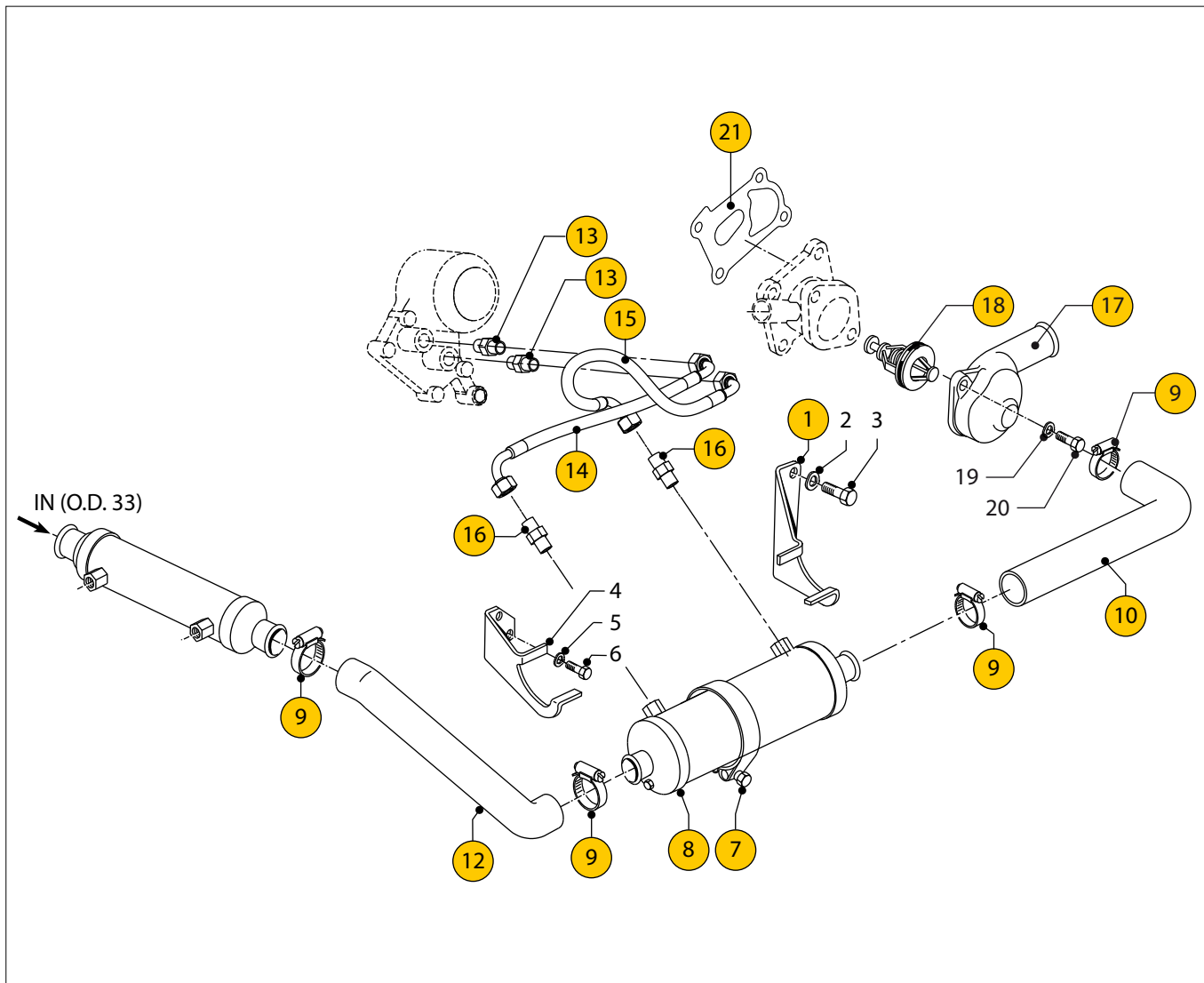


VH4.65 VH4.80

Luchtfilter/ geluidsdemper

Aircleaner/ muffler

pos.	qty	part	benaming	description
1	2	STM4689	Plug	Plug
2	1	STM4690	Steun	Support
3	2	STM1056	Veerring M8	Spring washer M8
4	2	STM3355	Bout M8x20	Bolt M8x20
5	1	STM8148	Slangklem 58-75	Hose clamp 58-75
6	1	STM8801	Bus	Bush
7	1	STM8517	Luchtfilter	Aircleaner
8	1	STM8518	Luchtinlaatkast	Air intake housing
9	1	STM9503	Slangklem 120-140	Hose clamp 120-140
10	1	STM4688	Slang	Hose
11	2	HCS60	Slangklem 60-80	Hose clamp 60-80
12	1	STM4691	Dop	Cover

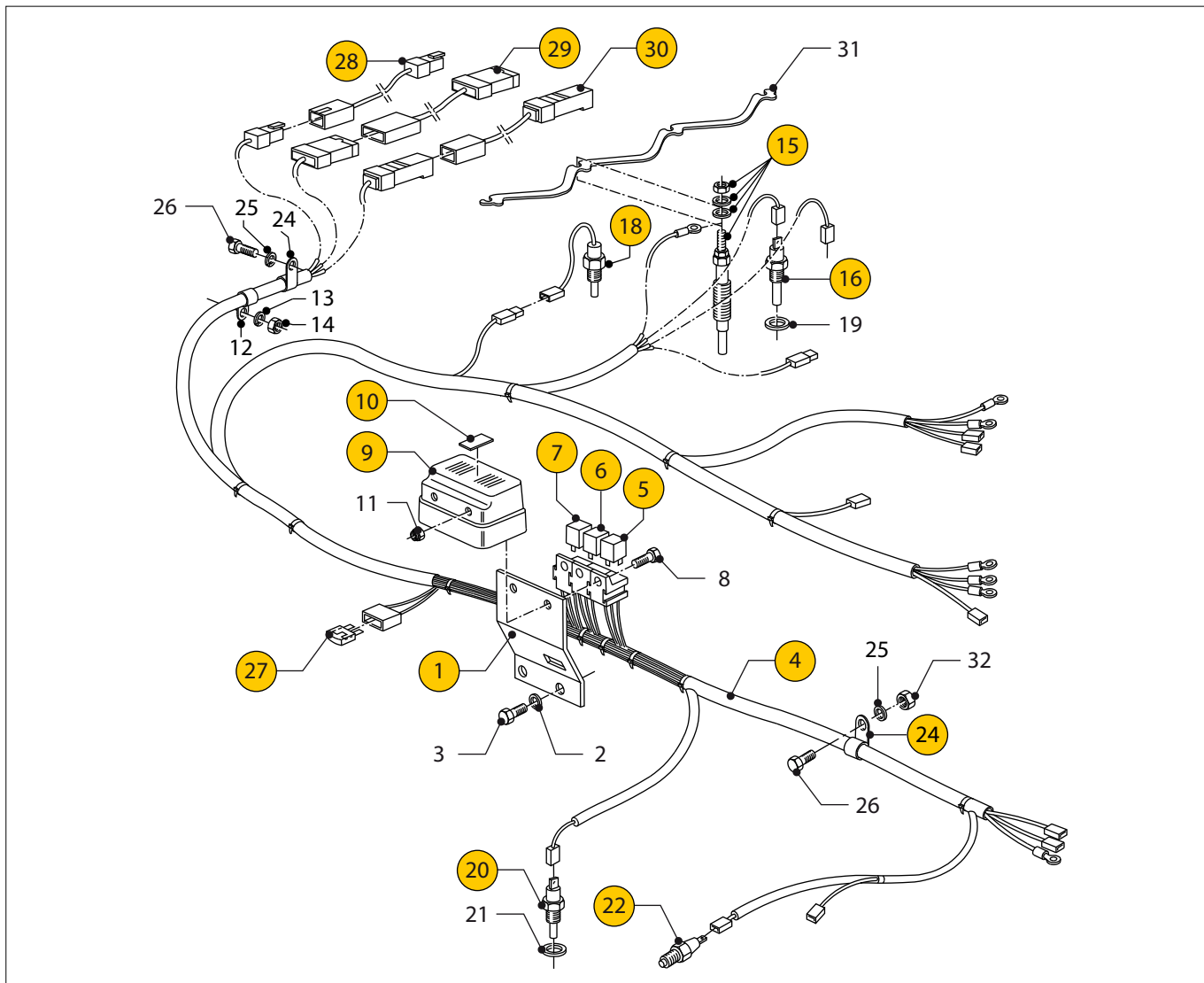


VH4.65 VH4.80

Motoroliekoeler (Kielkoeluitvoering)

Engine oilcooler (Keel-cool version)

pos.	qty	part	benaming	description
1	1	STM4633	Bevestigingssteun voorzijde	Support front side
2	2	STM4014	Veerring M10	Spring washer M10
3	2	STM9060	Bout M10x1,25x20	Bolt M10x1,25x20
4	1	STM4634	Bevestigingssteun achterzijde	Support back side
5	2	STM1025	Gegolfde veerring M6	Wave spring washer M6
6	2	STM1029	Bout M6x12	Bolt M6x12
7	2	HCHD073	Klem	Clamp
8	1	STM4995	Motoroliekoeler 9"xø75- G 1/2-ø33	Engine oilcooler 9"xø75- G 1/2-ø33
9	4	STM3005	Slangklem 32-44	Hose clamp 32-44
10	1	STM4677	Slang van thermostaat naar motoroliekoeler	Hose from thermostat to engine oilcooler
12	1	STM4630	Slang van motoroliekoeler naar kk oliekoeler	Hose from engine oilcooler to gearbox oilcooler
13	2	STM4988	Nippel M16x1,5 - M16x1,5	Nipple M16x1,5 - M16x1,5
14	1	STM4989	Olieslang motor uit	Oil hose engine out
15	1	STM4990	Olieslang motor in	Oil hose engine in
16	2	STM4991	Nippel G 1/2 - G 1/2	Nipple G 1/2 - G 1/2
17	1	STM4530	Thermostaatdeksel	Thermostat cover
18	1	STM4976	Thermostaat 76°C	Thermostat 76°C
19	2	STM1019	Veerring M8	Spring washer M8
20	2	STM1610	Bout M8 x 25	Bolt M8 x 25
21	1	STM4936	Pakking	Gasket

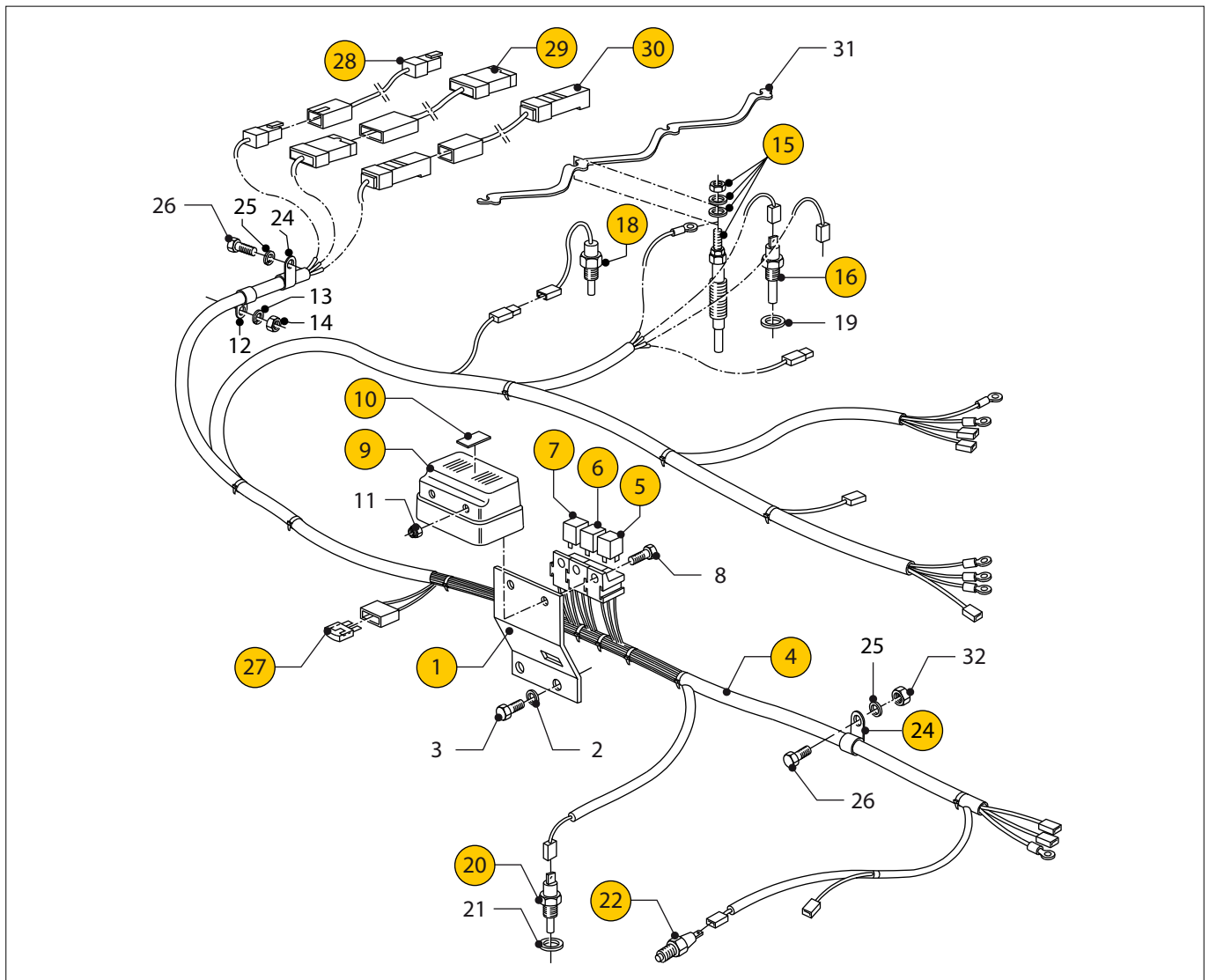


VH4.65 VH4.80

Bedrading

Wiring

pos.	qty	part	benaming	description
1	1	STM4612	Relais steun	Relais support
2	2	STM1056	Veerring M8	Spring washer M8
3	2	STM3355	Bout M8x20	Bolt M8x20
4	1	STM4610	Motorbedrading	Engine wiring
5	1	STM9050	Stoprelais 12V-30A	Stop relais 12V-30A
6	1	STM9050	Startrelais 12V-30A	Start relais 12V-30A
7	1	STM9043	Gloeirelais 12V-70A	Glow relais 12V-70A
8	2	CT40075	Bout M5x16	Bolt M5x16
9	1	STM4611	Deksel	Cover
10	1	STM7591	Sticker	Sticker
11	2	STM6159	Zelfborgende moer M5	Nyloc nut M5
12	1	STM4616	Klem	Clamp
13	1	STM4014	Veerring M10	Spring washer M10
14	1	STM4018	Moer M10	Nut M10
15	4	STM4972	Gloeibougie	Glow plug
16	1	STM8322	Binnenwater temperatuur schakelaar M14x1,5 12-24V 105°C	Temp.switch cooland M14x1,5 12-24V 105°C
18	1	STM4985	Brandstofklep (ETR)	Fuel valve (ETR)
19	1	STM1062	Afdichtring M14	Seal washer M14
20	1	STM2006	Buitenwatertemperatuur schakelaar M18x1,5 12-24V 75°C	Temp switch raw water M18x1,5 12-24V 75°C

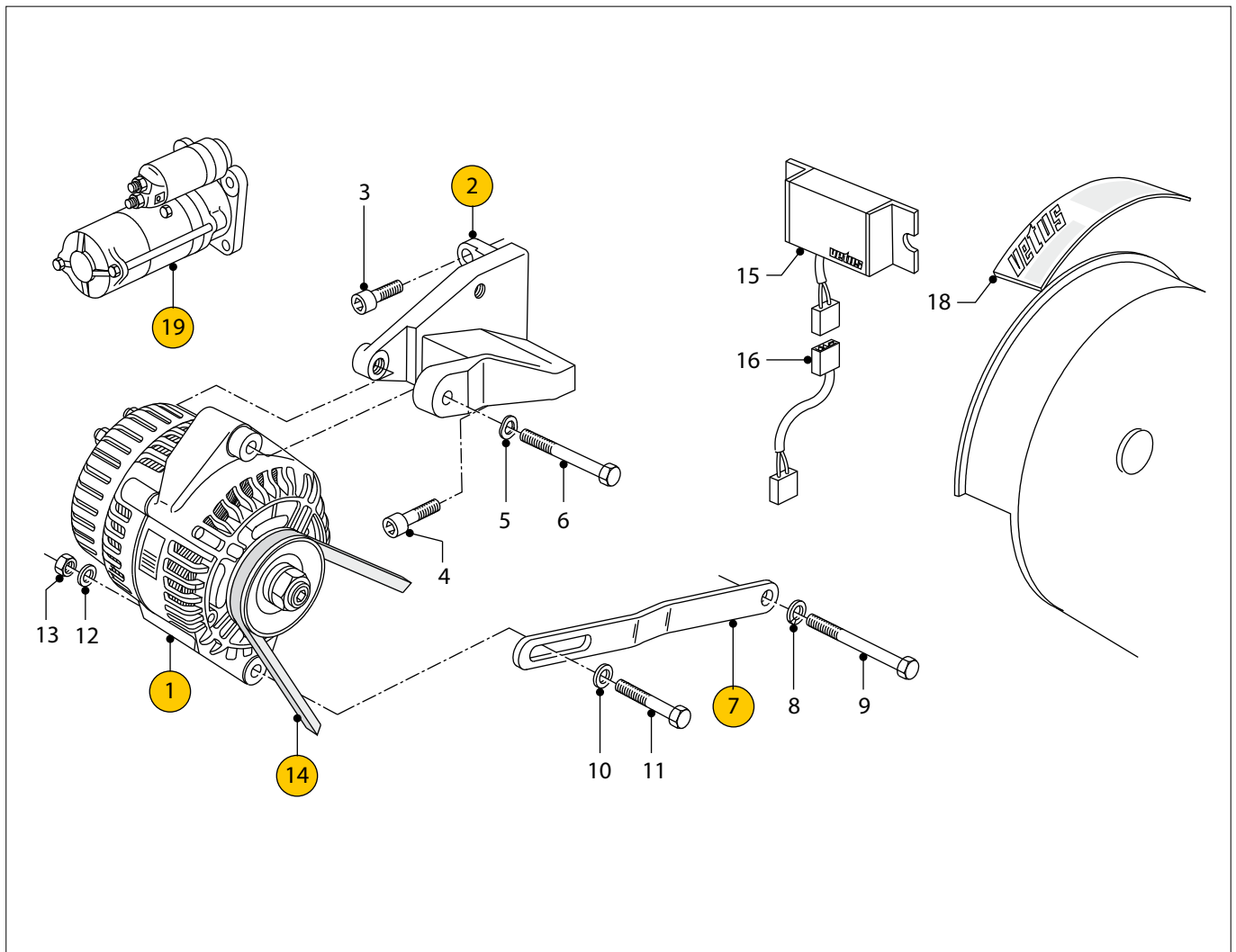


VH4.65 VH4.80

Bedrading

Wiring

pos.	qty	part	benaming	description
21	1	STM2019	Afdichtring M18	Seal washer M18
22	1	STM6267	Oliedruk schakelaar	Oilpressure switch
24	2	STM6305	Klem	Clamp
25	2	STM1056	Veerring M8	Spring washer M8
26	2	STM3355	Bout M8x20	Bolt M8x20
27	1	08-01420	ATO Zekering 20 A	ATO Fuse 20 A
28	1	MPKA02	Tussenkabel A, 2 mtr., Grijs 6 polig	Intermediate cable A, 2 mtr., Grey 6 pole
	1	MPKA04	Tussenkabel A, 4 mtr., Grijs 6 polig	Intermediate cable A, 4 mtr., Grey 6 pole
	1	MPKA06	Tussenkabel A, 6 mtr., Grijs 6 polig	Intermediate cable A, 6 mtr., Grey 6 pole
	1	MPKA12	Tussenkabel A, 12 mtr., Grijs 6 polig	Intermediate cable A, 12 mtr., Grey 6 pole
29	1	MPKB02	Tussenkabel B, 2 mtr., Zwart 6 polig	Intermediate cable B, 2 mtr., Black 6 pole
	1	MPKB04	Tussenkabel B, 4 mtr., Zwart 6 polig	Intermediate cable B, 4 mtr., Black 6 pole
	1	MPKB06	Tussenkabel B, 6 mtr., Zwart 6 polig	Intermediate cable B, 6 mtr., Black 6 pole
	1	MPKB12	Tussenkabel B, 12 mtr., Zwart 6 polig	Intermediate cable B, 12 mtr., Black 6 pole
30	1	MPKC02	Tussenkabel C, 2 mtr., Zwart 2 polig	Intermediate cable C, 2 mtr., Black 2 pole
	1	MPKC04	Tussenkabel C, 4 mtr., Zwart 2 polig	Intermediate cable C, 4 mtr., Black 2 pole
	1	MPKC06	Tussenkabel C, 6 mtr., Zwart 2 polig	Intermediate cable C, 6 mtr., Black 2 pole
	1	MPKC12	Tussenkabel C, 12 mtr., Zwart 2 polig	Intermediate cable C, 12 mtr., Black 2 pole
31	1	STM4973	Strip	Plate
32	1	STM2005	Moer M8	Nut M8

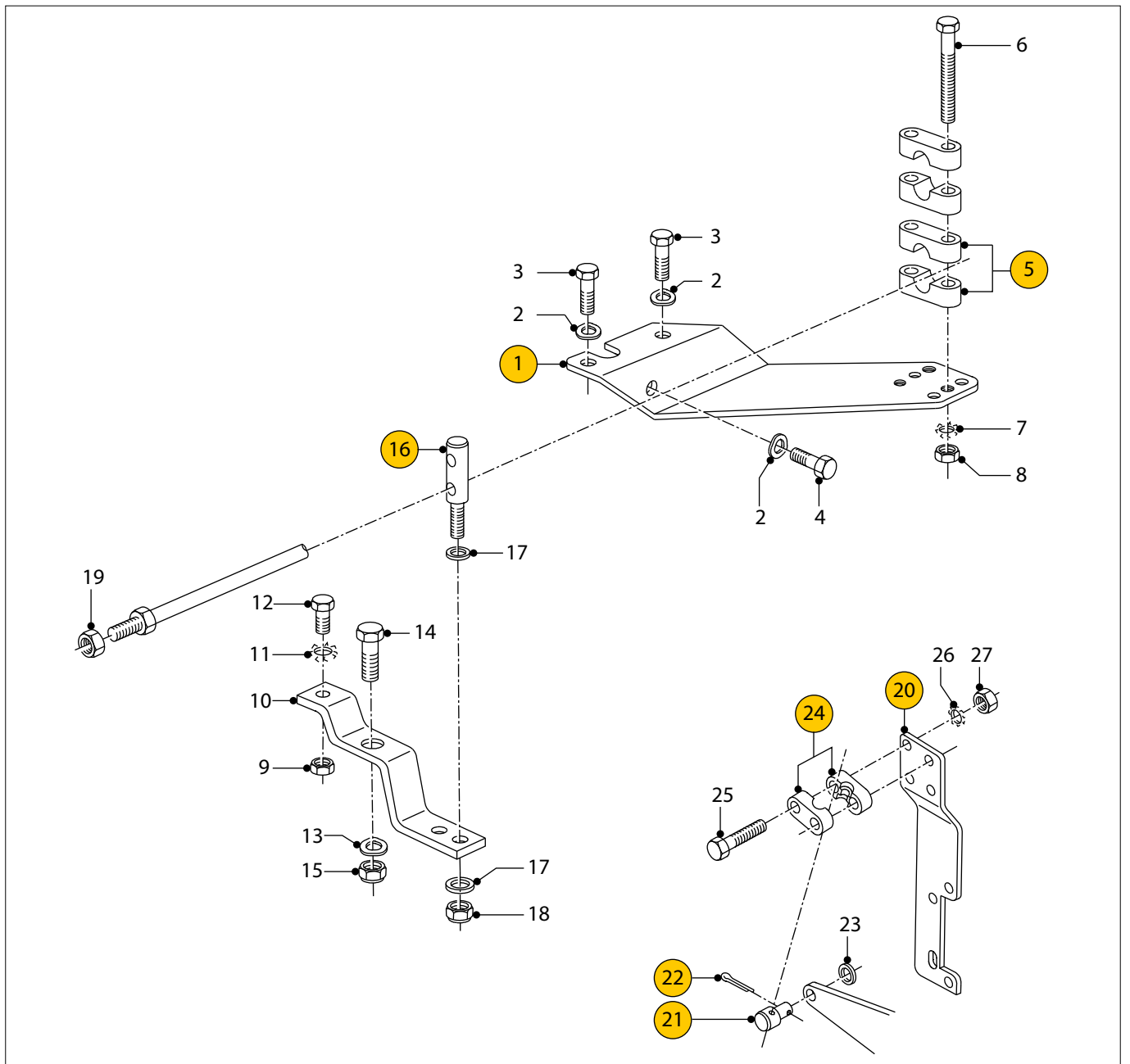


VH4.65 VH4.80

Dynamo + startmotor

Alternator + starter

pos.	qty	part	benaming	description
1	1	STM8660	Dynamo 12 V, 90 A,1P	Alternator 12V, 90A, 1P
2	1	STM4507	Steun	Support
3	1	STM4525	Inbusbout lage kop M8x25	Allen screw low head M8x25
4	2	STM8829	Inbusbout M8x25	Allen screw M8x25
5	1	STM1019	Gegolfde veerring M8	Wave spring washer M8
6	1	STM8331	Bout M8x80	Bolt M8x80
7	1	STM4508	Spansteun	Tension support
8	1	STM1056	Veerring M8	Spring washer M8
9	1	STM8126	Bout M8x90	Bolt M8x90
10	1	STM3749	Ring M8	Washer M8
11	1	STM6561	Bout M8x50	Bolt M8x50
12	1	STM1019	Gegolfde veerring M8	Wave spring washer M8
13	1	STM2005	Moer M8	Nut M8
14	1	STM4509	V-snaar 10x1200	V-belt 10x1200
15	1	STM9080	Regelaar 12 V, OPTN06	Regulator 12 V, OPTN06
16	1	STM8082	Verlengkabel OPTN08	Wiring loom OPTN08
18	1	STM4565	Plakker VH4.65	Sticker VH4.65
	1	STM4580	Plakker VH4.80	Sticker VH4.80
19	1	STM4974	Startmotor 12 V - 2,0 kW	Starter 12 V - 2,0 kW

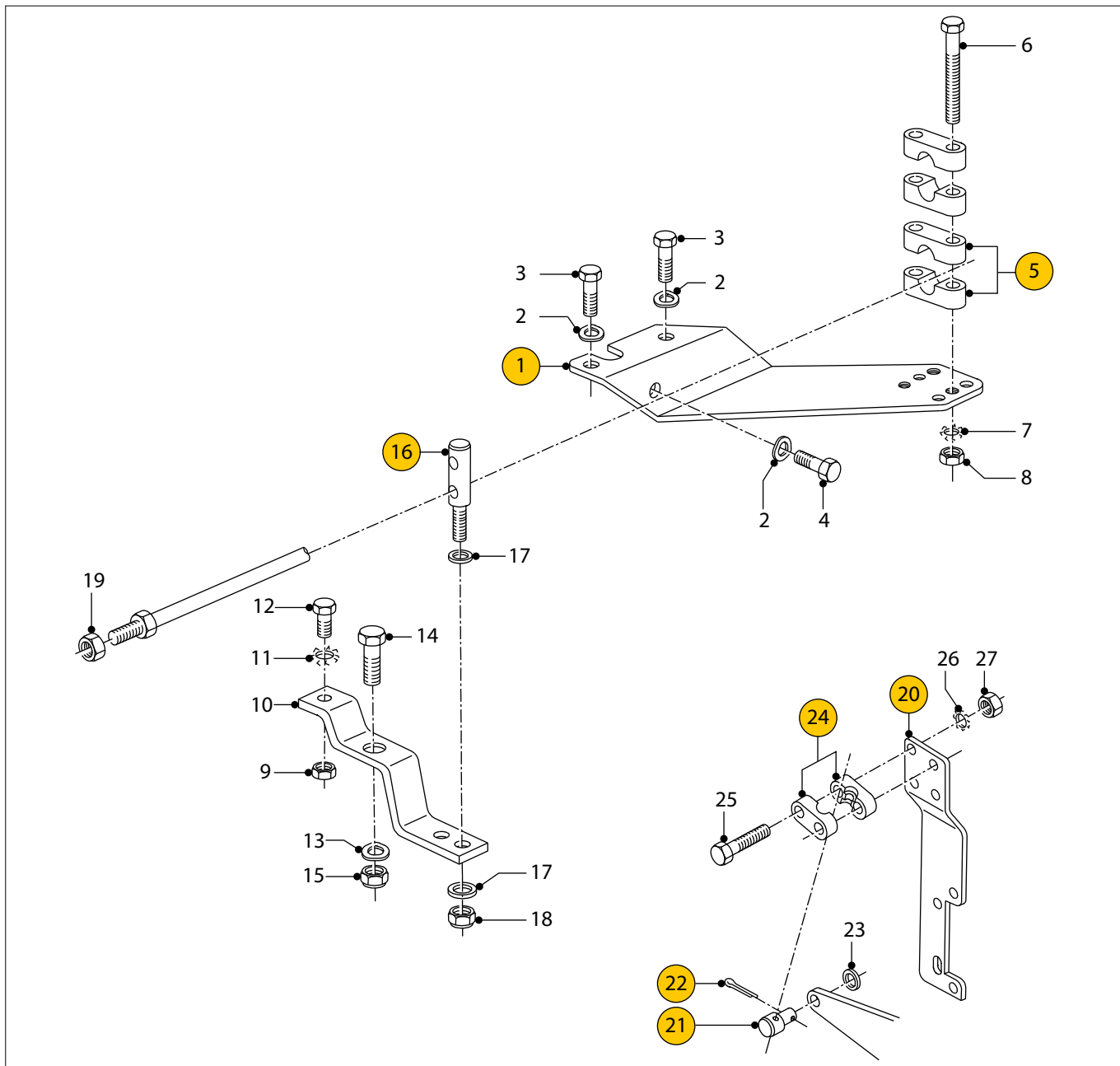


VH4.65 VH4.80

Bediening

Controls

pos.	qty	part	benaming	description
1	1	STM4551	Gaskabelsteun	Throttle cable control support
2	3	STM1025	Gegolfde veerring M6	Wave spring washer M6
3	2	STM1030	Bout M6x20	Bolt M6x20
4	1	STM1029	Bout M6x12	Bolt M6x12
5	2	STM1703	Kabelklem	Cableclamp
6	2	STM1907	Bout M5x40	Bolt M5x40
7	2	STM1707	Sterring M5	Washer external teeth M5
8	2	STM1705	Moer M5	Nut M5
9	1	STM1705	Moer M5	Nut M5
10	1	STM4550	Hefboom	Lever
11	1	STM1707	Sterring M5	Washer external teeth M5
12	1	STM9063	Bout M5x10	Bolt M5x10
13	1	STM1019	Gegolfde veerring M8	Wave spring washer M8
14	1	STM3355	Bout M8x20	Bolt M8x20
15	1	STM6533	Zelfborgende moer M8	Nyloc nut M8
16	1	STM1902	Gaskabelnippel AB39 4-6395	Throttle nipple AB39 4-6395

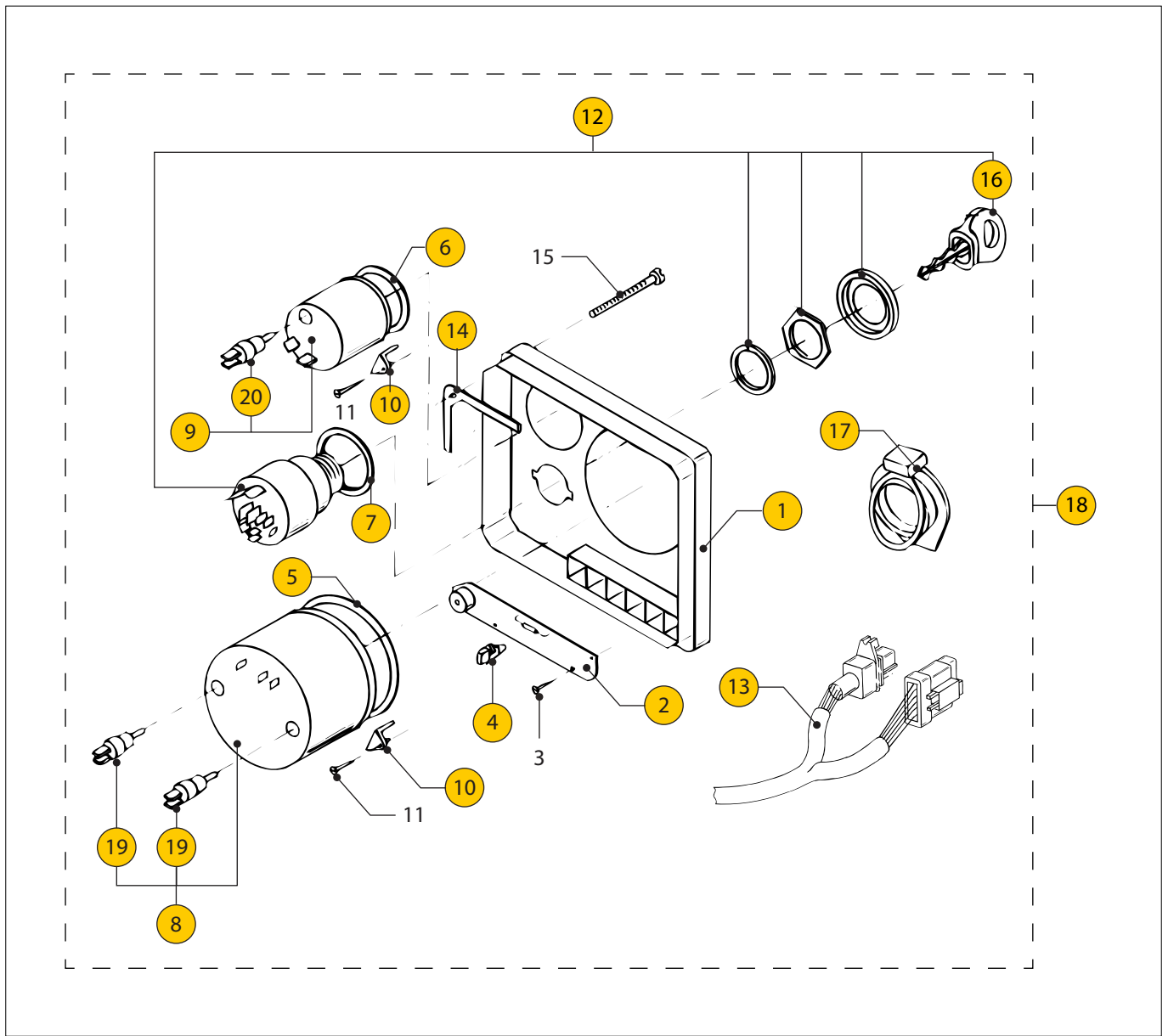


VH4.65 VH4.80

Bediening

Controls

pos.	qty	part	benaming	description
17	2	STM1807	Ring M6	Washer M6
18	1	STM8129	Zelfborgende moer M6	Nyloc nut M6
19	1	STM6568	Moer 10-32UNF	Nut 10-32UNF
20	1	STM1851	Schakelkabelsteun HBW	Switch cable support HBW
21	1	STM1806	Kabelnippel	Nipple
22	1	STM1808	Splitpen 2x25	Split pin 2x25
23	1	STM1807	Ring M6	Washer M6
24	1	STM1703	Kabelklem	Cable clamp
25	2	STM1704	Bout M5x25	Bolt M5x25
26	2	STM1707	Sterring M5	Washer external teeth M5
27	2	STM1705	Moer M5	Nut M5

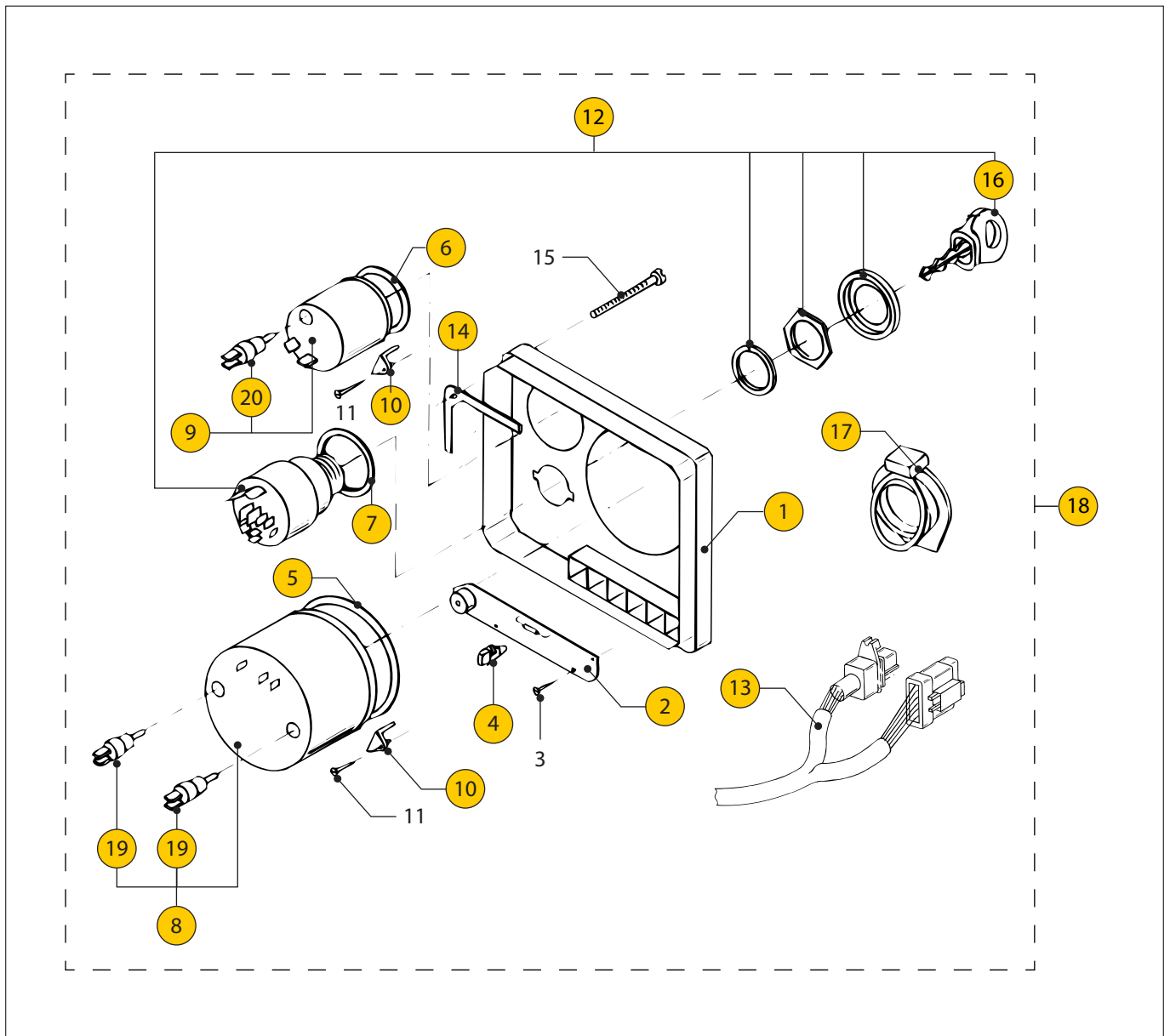


VH4.65 VH4.80

Instrumentenpaneel model '22'

Instrument panel model '22'

pos.	qty	part	benaming	description
1	1	STM9186	Paneel incl. frontfolie	Panel incl. overlay
2	1	08-01351	Print MP20, 21, 22 cpl. 12 V/24 V	PCB MP20, 21, 22 cpl. 12 V/24 V
3	4	P2295RKP	Plaatschroef	Screw
4	6	STM9169	Gloeilamp 12 V	Bulb 12 V
	6	STM9210	Gloeilamp 24 V	Bulb 24 V
5	1	STM9170	Pakking	Gasket
6	1	STM9171	Pakking	Gasket
7	1	STM9172	Pakking	Gasket
8	1	TACHB4000	Toeren/urenteller, zwart, 0-4000 rpm	Tachometer/hour counter, black, 0-4000 rpm
	1	TACHN4000	Toeren/urenteller, beige, 0-4000 rpm	Tachometer/hour counter, beige, 0-4000 rpm
	1	TACHB5000	Toeren/urenteller, zwart, 0-5000 rpm	Tachometer/hour counter, black, 0-5000 rpm
9	1	VLT12B	Voltmeter, zwart, 12 V	Voltmeter, black, 12 V
	1	VLT12N	Voltmeter, beige, 12 V	Voltmeter, beige, 12 V
	1	VLT24B	Voltmeter, zwart, 24 V	Voltmeter, black, 24 V
	1	VLT24N	Voltmeter, beige, 24 V	Voltmeter, beige, 24 V
10	6	PA6488	Beugel	Bracket
11	6	P35134RKP	Plaatschroef	Screw
12	1	STM9215	Contactslot + sleutel	Key switch + key

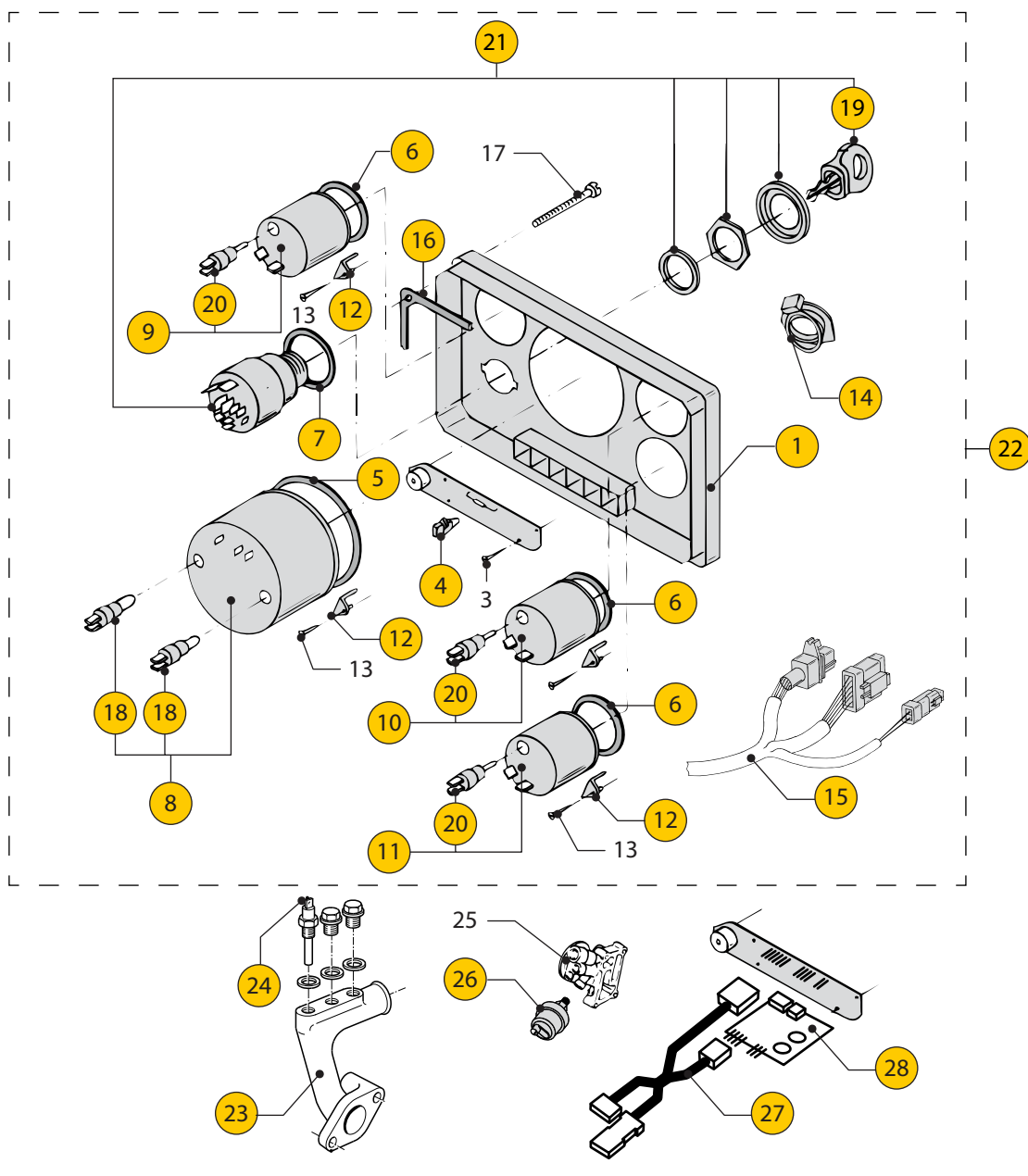


VH4.65 VH4.80

Instrumentenpaneel model '22'

Instrument panel model '22'

pos.	qty	part	benaming	description
13	1	MP35374	Paneelbedrading	Wiring
14	1	STM6982	Pakking	Gasket
15	4	P35254ZKP	Plaatschroef	Screw
16	1	STM9214	Sleutel	Key
17	1	STM9188	Contactslot deksel	Key switch cover
18	1	MPA22....	Instr.paneel cpl. zwarte instr. 0-4000 rpm 12 V	Instr.panel cpl. black instr. 0-4000 rpm 12 V
	1	MPA22....	Instr.paneel cpl. beige instr. 0-4000 rpm 12 V	Instr.panel cpl. beige instr. 0-4000 rpm 12 V
	1	MPA22....	Instr.paneel cpl. zwarte instr. 0-4000 rpm 24 V	Instr.panel cpl. black instr. 0-4000 rpm 24 V
	1	MPA22....	Instr.paneel cpl. beige instr. 0-4000 rpm 24 V	Instr.panel cpl. beige instr. 0-4000 rpm 24 V
	1	MPA22....	Instr.paneel cpl. zwarte instr. 0-5000 rpm 12 V	Instr.panel cpl. black instr. 0-5000 rpm 12 V
19	2	SET40131	Gloeilamp 12 V	Bulb 12 V
	2	SET40132	Gloeilamp 24 V	Bulb 24 V
20	1	SET0190	Gloeilamp 12 V	Bulb 12 V
	1	SET0191	Gloeilamp 24 V	Bulb 24 V

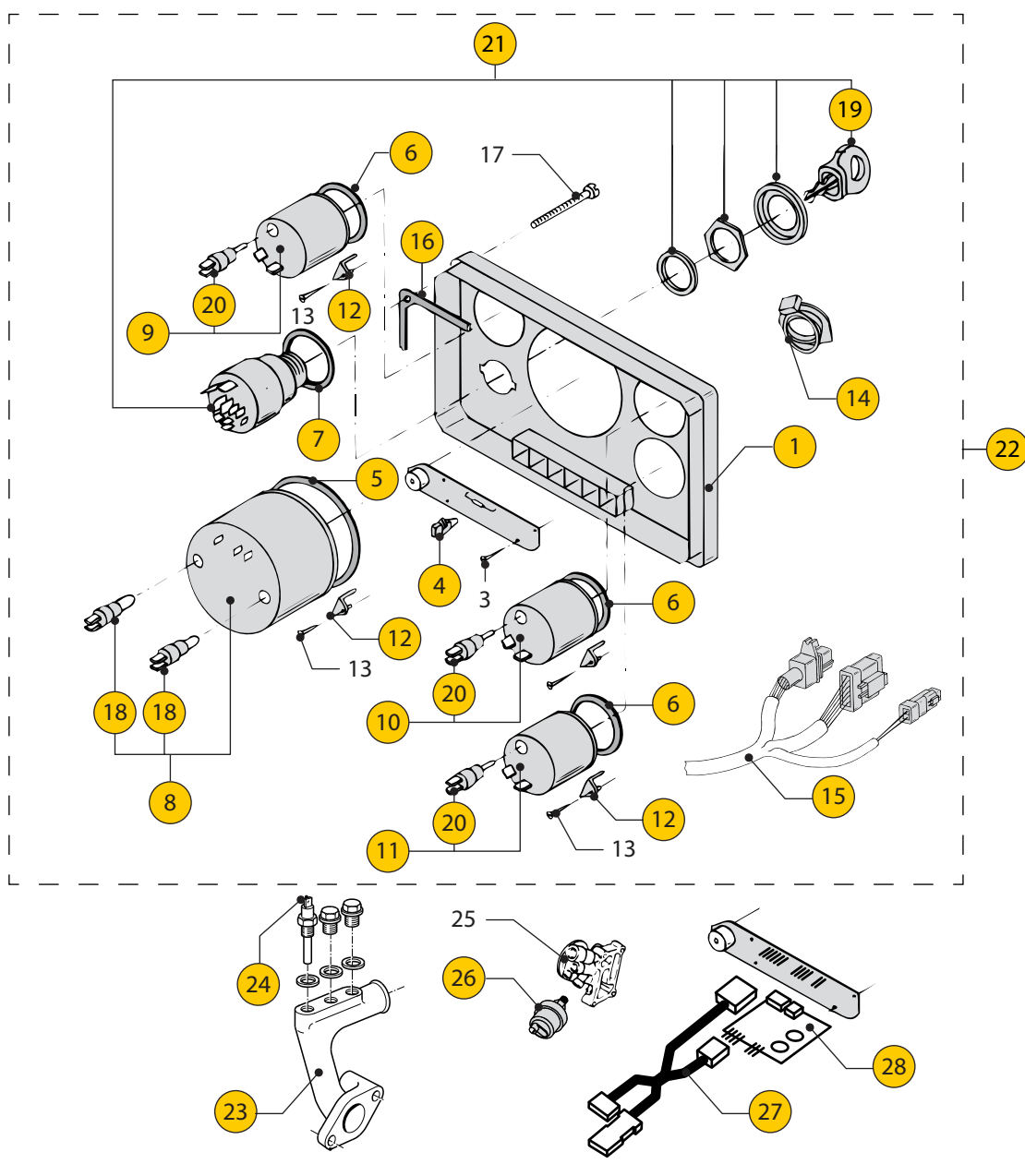


VH4.65 VH4.80

Instrumentenpaneel model '34'

Instrument panel model '34'

pos.	qty	part	benaming	description
1	1	STM6571	Paneel incl. frontfolie	Panel incl. overlay
2	1	08-01351	Print MP34 cpl. 12 V / 24 V	PCB MP34 cpl. 12 V / 24 V
3	4	P2295RKP	Plaatschroef	Screw
4	6	STM9169	Gloeilamp 12 V	Bulb 12 V
	6	STM9210	Gloeilamp 24 V	Bulb 24 V
5	1	STM9170	Pakking	Gasket
6	3	STM9171	Pakking	Gasket
7	1	STM9172	Pakking	Gasket
8	1	TACHB4000	Toeren/urenteller, zwart, 0-4000 rpm	Tachometer/hour counter, black, 0-4000 rpm
	1	TACHN4000	Toeren/urenteller, beige, 0-4000 rpm	Tachometer/hour counter, beige, 0-4000 rpm
	1	TACHB5000	Toeren/urenteller, zwart, 0-5000 rpm	Tachometer/hour counter, black, 0-5000 rpm
9	1	VLT12B	Voltmeter, zwart, 12 V	Voltmeter, black, 12 V
	1	VLT12N	Voltmeter, beige, 12 V	Voltmeter, beige, 12 V
	1	VLT24B	Voltmeter, zwart, 24 V	Voltmeter, black, 24 V
	1	VLT24N	Voltmeter, beige, 24 V	Voltmeter, beige, 24 V
10	1	TEMPB	Temperatuurmeter, zwart, 40-120°C 12 V	Temperature gauge, black, 40-120°C, 12 V

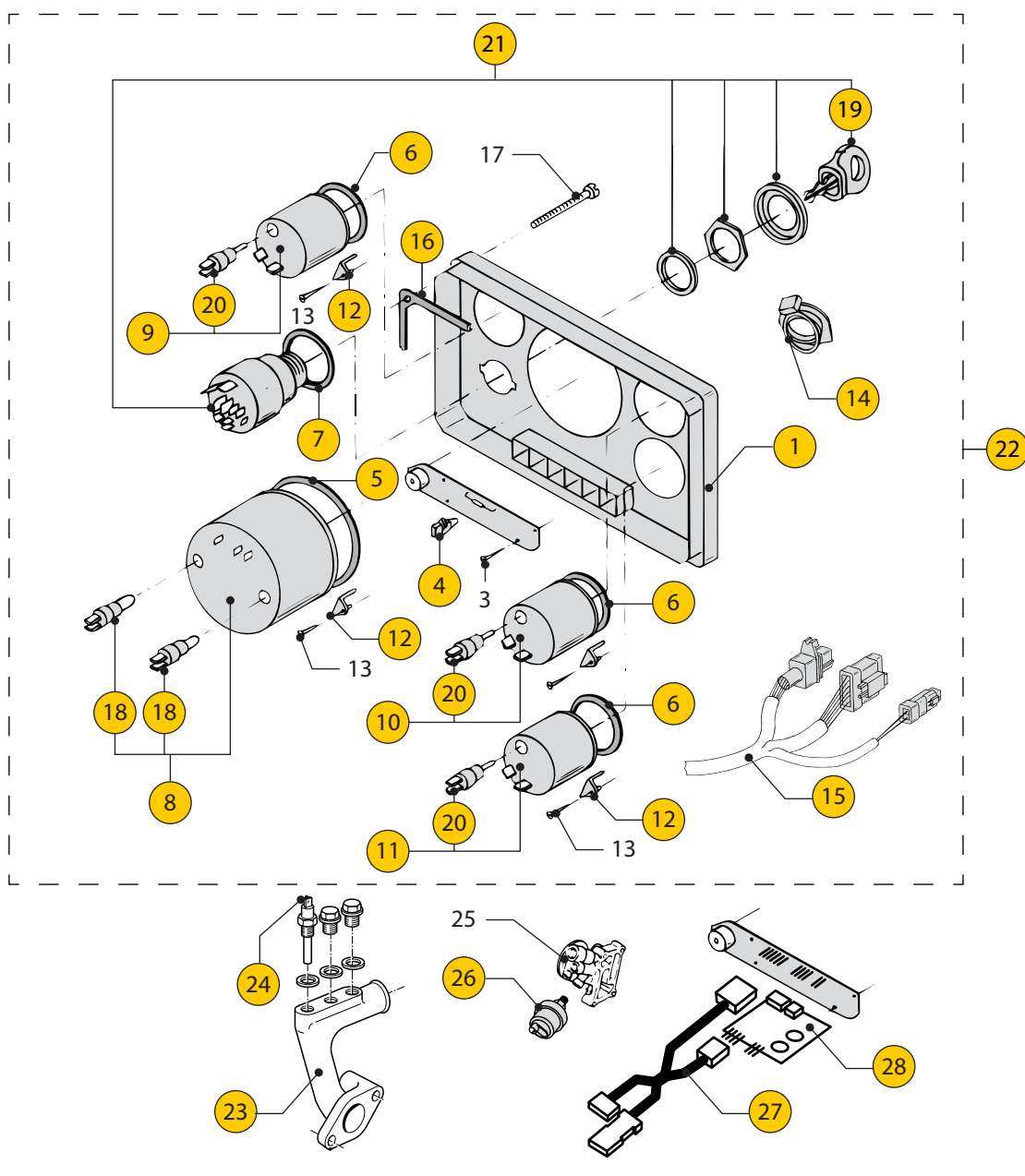


VH4.65 VH4.80

Instrumentenpaneel model '34'

Instrument panel model '34'

pos.	qty	part	benaming	description
10	1	TEMPN	Temperatuurmeter, beige, 40-120°C 12 V	Temperature gauge, beige, 40-120°C, 12 V
	1	TEMPB	Temperatuurmeter, zwart, 40-120°C 24 V	Temperature gauge, black, 40-120°C, 24 V
	1	TEMPN	Temperatuurmeter, beige, 40-120°C 24 V	Temperature gauge, beige, 40-120°C, 24 V
11	1	OILB	Oliedrukmeter, zwart, 0-8 bar, 12 V	Oil pressure gauge, black, 0-8 bar, 12 V
	1	OILN	Oliedrukmeter, beige, 0-8 bar, 12 V	Oil pressure gauge, beige, 0-8 bar, 12 V
	1	OILB	Oliedrukmeter, zwart, 0-8 bar, 24 V	Oil pressure gauge, black, 0-8 bar, 24 V
	1	OILN	Oliedrukmeter, beige, 0-8 bar, 24 V	Oil pressure gauge, beige, 0-8 bar, 24 V
12	6	PA6488	Beugel	Bracket
	6	P35134RKP	Plaatschroef	Screw
14	1	STM9188	Contactslot deksel	Key switch cover
15	1	MP35374	Paneelbedrading	Wiring
16	1	STM9181	Pakking	Gasket
	4	P35254ZKP	Plaatschroef	Screw
18	2	SET40131	Gloeilamp 12 V	Bulb 12 V
	2	SET40132	Gloeilamp 24 V	Bulb 24 V
19	1	STM9214	Sleutel	Key

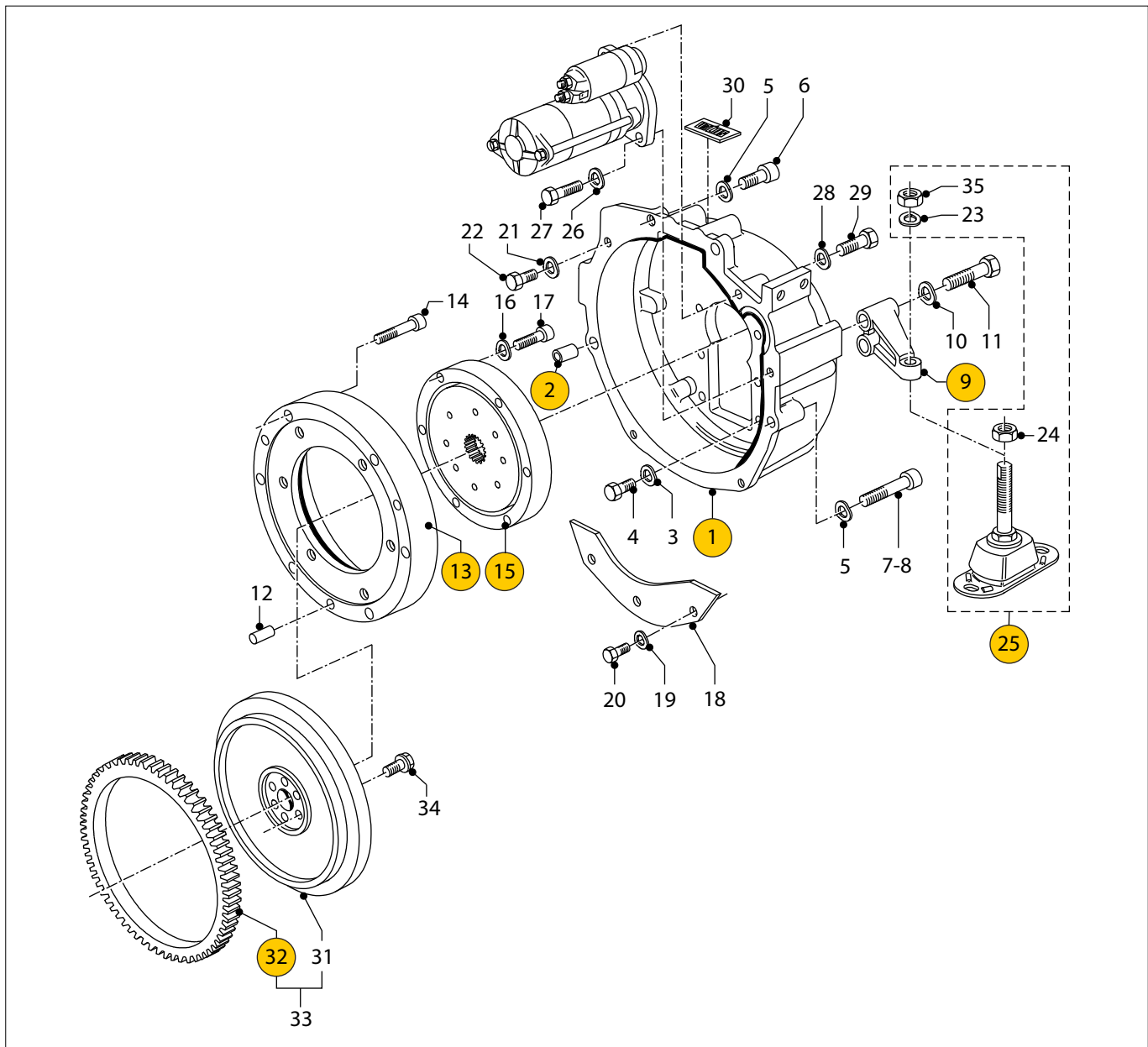


VH4.65 VH4.80

Instrumentenpaneel model '34'

Instrument panel model '34'

pos.	qty	part	benaming	description
20	1	SET0190	Gloeilamp 12 V	Bulb 12 V
	1	SET0191	Gloeilamp 24 V	Bulb 24 V
21	1	STM9215	Contactslot + sleutel	Key switch + key
22	1	MPA34....	Instr.paneel cpl. zwarte instr. 0-4000 rpm 12 V	Instr.panel cpl. black instr. 0-4000 rpm 12 V
	1	MPA34....	Instr.paneel cpl. beige instr. 0-4000 rpm 12 V	Instr.panel cpl. beige instr. 0-4000 rpm 12 V
	1	MPA34....	Instr.paneel cpl. zwarte instr. 0-4000 rpm 24 V	Instr.panel cpl. black instr. 0-4000 rpm 24 V
	1	MPA34....	Instr.paneel cpl. beige instr. 0-4000 rpm 24 V	Instr.panel cpl. beige instr. 0-4000 rpm 24 V
	1	MPA34....	Instr.paneel cpl. zwarte instr. 0-5000 rpm 12 V	Instr.panel cpl. black instr. 0-5000 rpm 12 V
23	1	STM4540	Water uitlaatbocht	Water outlet elbow
24	1	TEMPSR120	Binnenwater temperatuur zender M14x1,5 12-24 V 40-120°C	Temp. sender coolant M14x1,5 12-24V 40-120°C
25	1	STM4907	Oliefilterhuis	Oilfilter case
26	1	CT40083	Oliedrukkzender	Sender oil pressure
27	1	MPVB2	Verloopkabel (MPVB2)	Cable (MPVB2)
28	1	STM6911	Interface	Interface

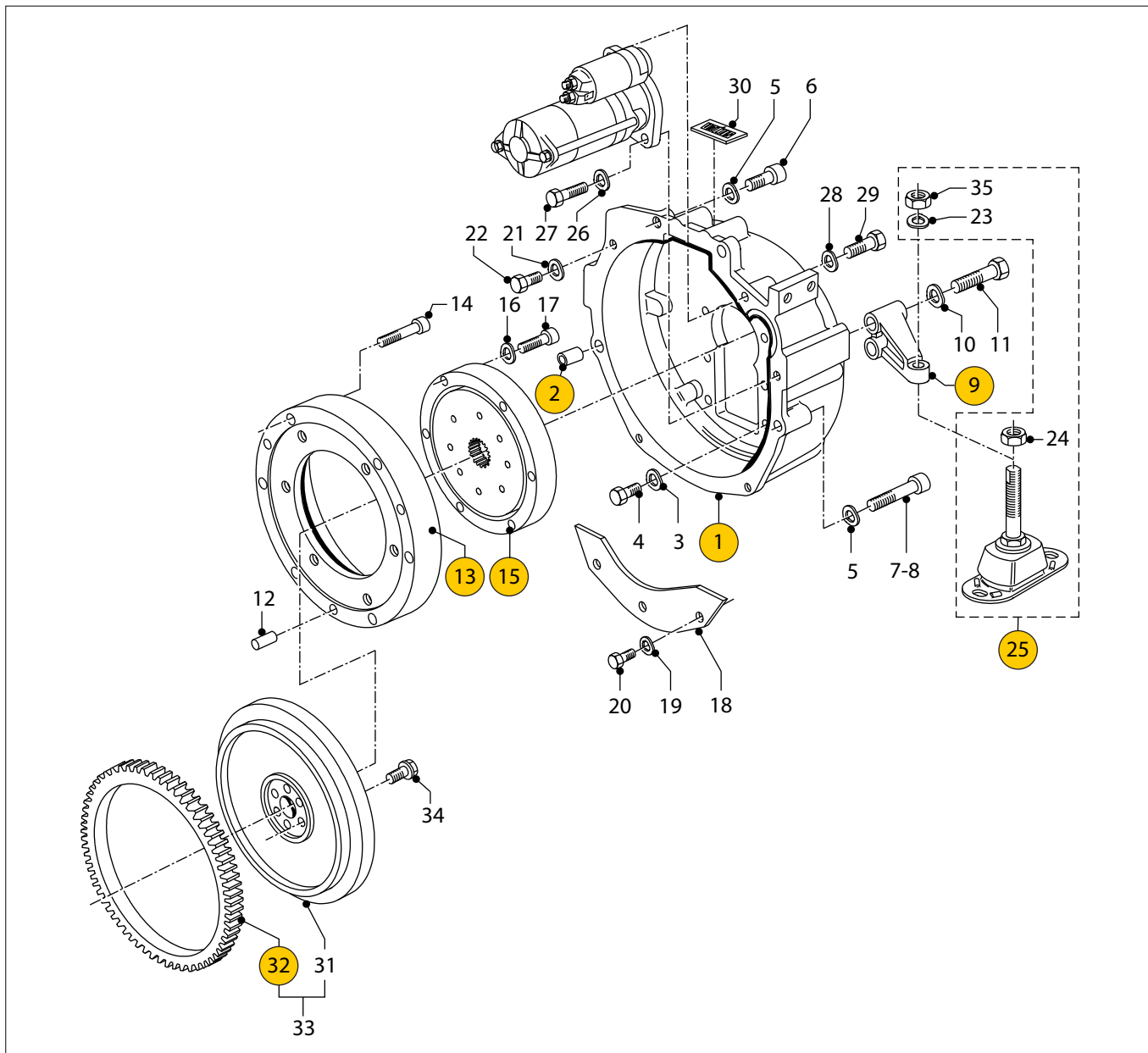


VH4.65 VH4.80

Vliegwielhuis

Flywheel housing

pos.	qty	part	benaming	description
1	1	STM4511	Vliegwielhuis ø 88	Flywheel housing ø 88
	1	STM4512	Vliegwielhuis ø 92	Flywheel housing ø 92
	1	STM4514	Vliegwielhuis ø 209	Flywheel housing ø 209
2	2	STM4715	Pasbus	Bush
3	6	STM1019	Gegolfde veerring M8	Wave spring washer M8
4	6	STM1610	Bout M8x25 HSW125H, PRM150, TMC260	Bolt M8x25
	6	STM4016	Bout M10x20 TM345A, TM345H	Bolt M10x20
	6	STM4013	Bout M10x30, HSW250A, HSW250H, HBW250, HBW250A	Bolt M10x30
5	4	STM4061	Gegolfde veerring M10	Wave spring washer M10
6	2	STM4687	Inbusbout M10x1,25x35	Allen screw M10x1,25x35
7	1	STM4528	Inbusbout M10x1,25x90	Allen screw M10x1,25x90
8	1	STM4528	Inbusbout M10x1,25x90	Allen screw M10x1,25x90
9	2	STM7584	Motorsteun SB-BB	Engine support SB-PS
10	4	STM4056	Gegolfde veerring M12	Wave spring washer M12
11	4	STM7595	Bout M12x1,75x65	Bolt M12x1,75x65
12	3	STM4987	Paspfen	Pin

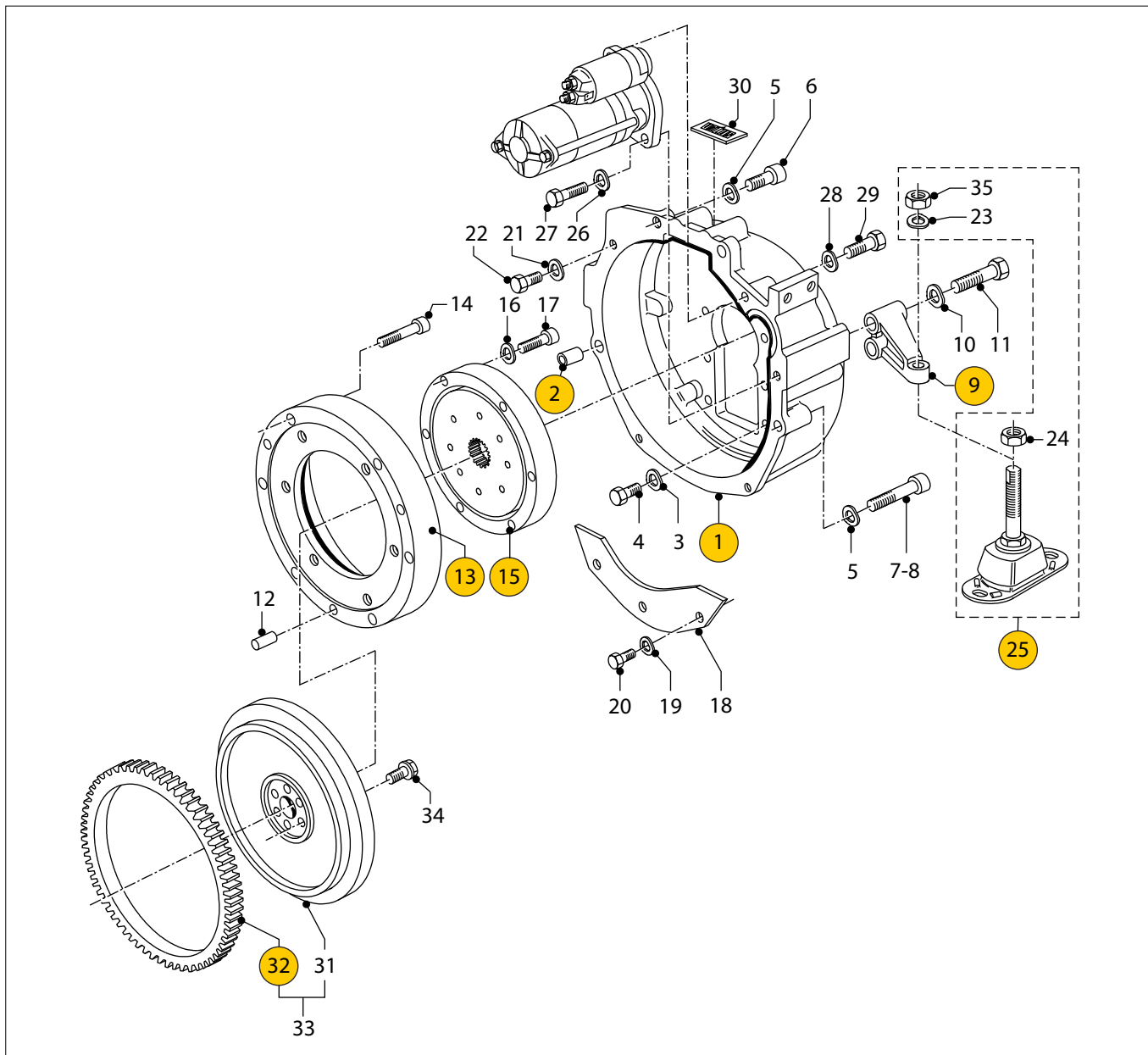


VH4.65 VH4.80

Vliegwielhuis

Flywheel housing

pos.	qty	part	benaming	description
13	1	STM4510	Vliegwiel verzwaring	Flywheel ring
14	6	STM4526	Inbusbout M8x55	Allen screw M8x55
15	1	STM8508	Demperplaat DIN Z=10	Damper plate DIN Z=10
	1	STM8522	Demperplaat SAE Z=26	Damper plate SAE Z=26
16	6	STM1019	Gegolfde veerring M8	Wave spring washer M8
17	6	STM6539	Inbusbout M8x40	Allen screw M8x40
18	1	STM4515	Afdichtplaat	Cover
19	2	STM1025	Gegolfde veerring M6	Wave spring washer M6
20	2	STM1024	Bout M6x15	Bolt M6x15
21	1	STM1019	Gegolfde veerring M8	Wave spring washer M8
22	1	STM4527	Tapbout M8x10	Bolt M8x10
23	1	STM4011	Gegolfde veerring M16	Wave spring washer M16
24	1	STM4641	Moer M16x1,5	Nut M16x1,5
25	2	HY100	Trillingdemper HY100	Engine mount HY100
26	1	STM1019	Gegolfde veerring M8	Wave spring washer M8
27	1	STM2261	Bout M8x40	Bolt M8x40
28	1	STM4061	Gegolfde veerring M10	Wave spring washer M10
29	1	STM4687	Inbusbout M10x1,25x35	Allen screw M10x1,25x35

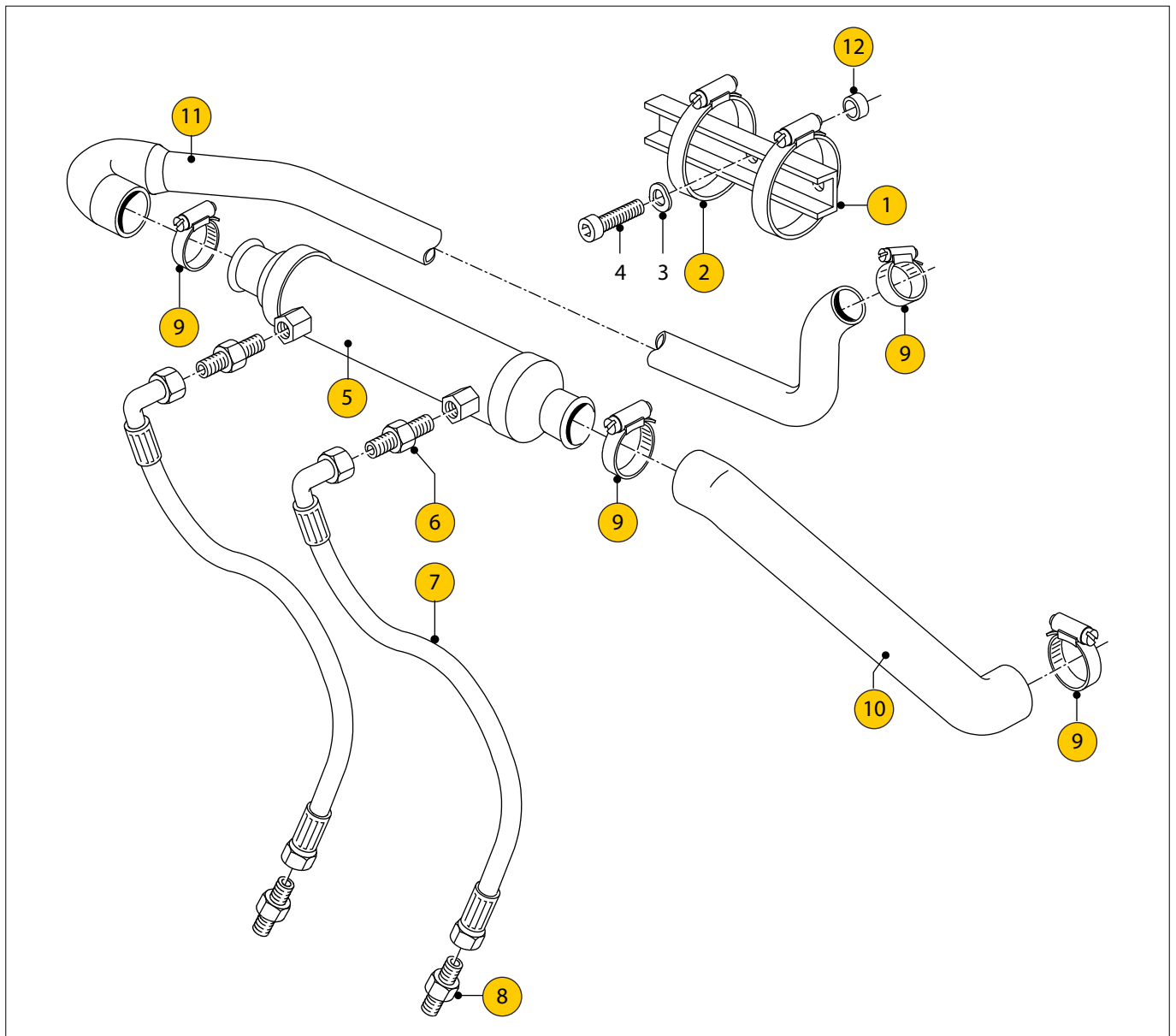


VH4.65 VH4.80

Vliegwielhuis

Flywheel housing

pos.	qty	part	benaming	description
30	1	STM1054	Type plaatje	Model plate
31	1	STM4975	Vliegwiel	Flywheel
32	1	STM4977	Starterkrans	Gearwheel
33	1	STM4978	Vliegwiel + starterkrans	Flywheel + gearwheel
34	6	STM4979	Bout	Bolt
35	1	STM4641	Zelfborgende moer M16x1,5	Nyloc nut M16x1,5

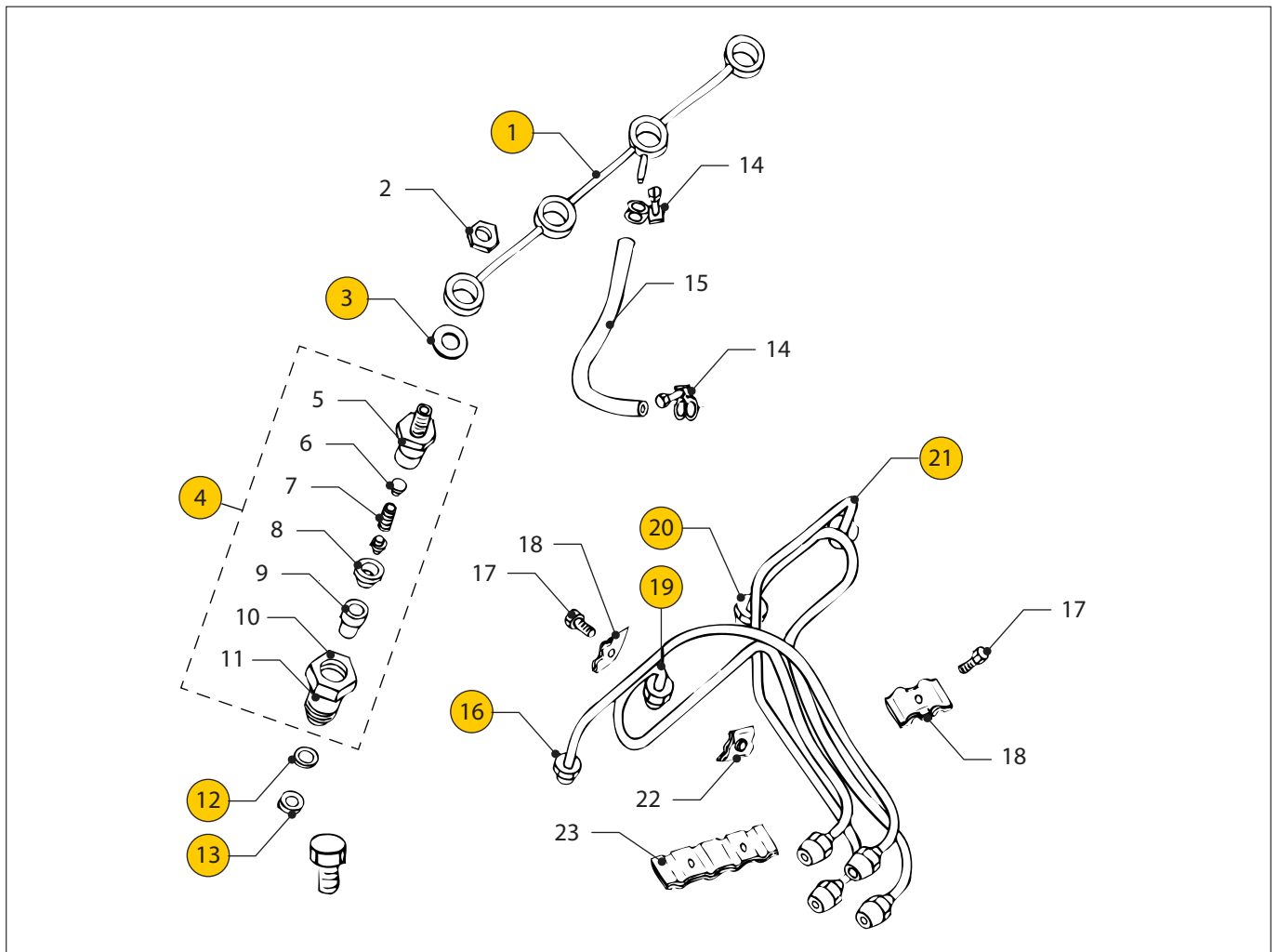


VH4.65 VH4.80

Oliekoeler hydraulische keerkoppeling

Oil cooler hydraulic gearbox

pos.	qty	part	benaming	description
1	1	STM7568	Steun	Support
2	2	HCS75	Slangklem 77-95	Hose clamp 77-95
3	2	STM1019	Gegolfde veerring M8	Wave spring washer M8
4	2	STM4526	Inbusbout M8x55	Allen screw M8x55
5	1	STM3771	Oliekoeler 9" x ø55 - G3/8 - ø33 mm	Oil cooler 9" x ø55 - G3/8 - ø33 mm
6	2	STM3491	Nippel G3/8-M16	Nipple G3/8-M16
7	2	CT50079	Olieslang l=550	Oil hose l=550
8	2	STM3491	Nippel M16-G3/8, HSW-TM345	Nipple M16-G3/8, HSW-TM345
9	4	STM3005	Slangklem 32-44	Hose clamp 32-44
10	1	STM4630	Slang oliekoeler-oliekoeler	Hose oil cooler-oil cooler
11	1	STM4631	Slang oliekoeler-ww	Hose oil cooler-heatexchanger
12	2	STM4537	Bus l=30	Bush l=30

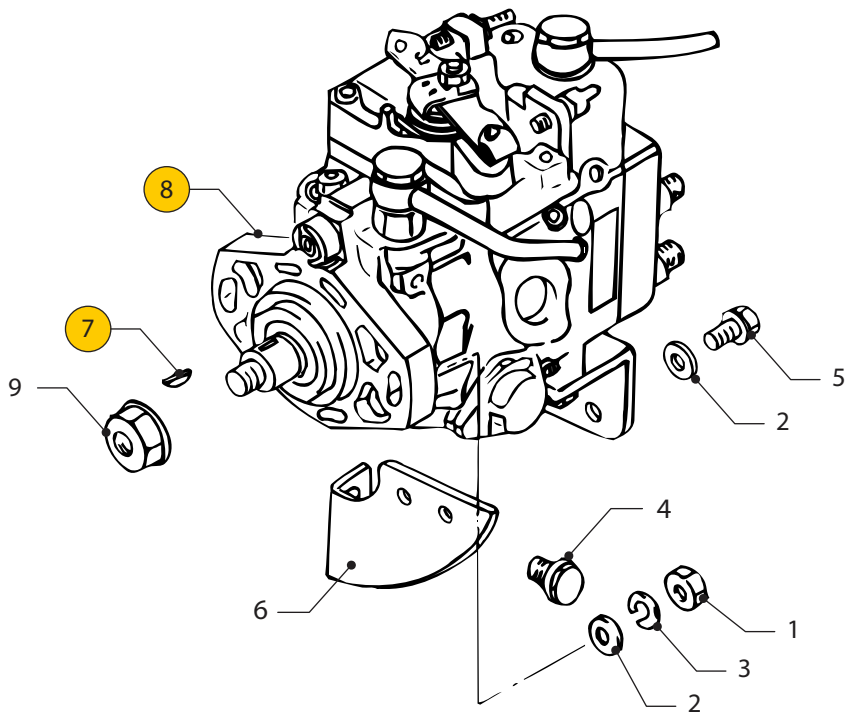


VH4.65 VH4.80

Brandstofleidingen

Fuel pipes

pos.	qty	part	benaming	description
1	1	STM4940	Retourpijp	Return pipe
2	4	STM4941	Moer 12x1,5	Nut 12x1,5
3	1	STM4942	Pakking	Gasket
4	4	STM4943	Verstuiver cpl.	Nozzle cpl.
5	1	STM4944	Huis	Case
6	1	STM4945	Shim	Shim
7	1	STM4946	Veer	Spring
8	1	STM4947	Zitting	Seat
9	1	STM4948	Afstandhouder	Spacer
10	1	STM4949	Nozzle	Nozzle
11	1	STM4950	Moer	Nut
12	4	STM4951	Pakking	Gasket
13	4	STM4952	Pakking	Gasket
14	2	STM4953	Klem	Clamp
15	1	STM4954	Slang	Hose
16	1	STM4955	Pijp no.1	Pipe no.1
17	4	STM4956	Bout	Bolt
18	4	STM4957	Klem A	Clamp A
19	1	STM4958	Pijp no.2	Pipe no.2
20	1	STM4959	Pijp no.3	Pipe no.3
21	1	STM4960	Pijp no.4	Pipe no.4
22	2	STM4961	Klem B	Clamp B
23	1	STM4962	Klem C	Clamp C

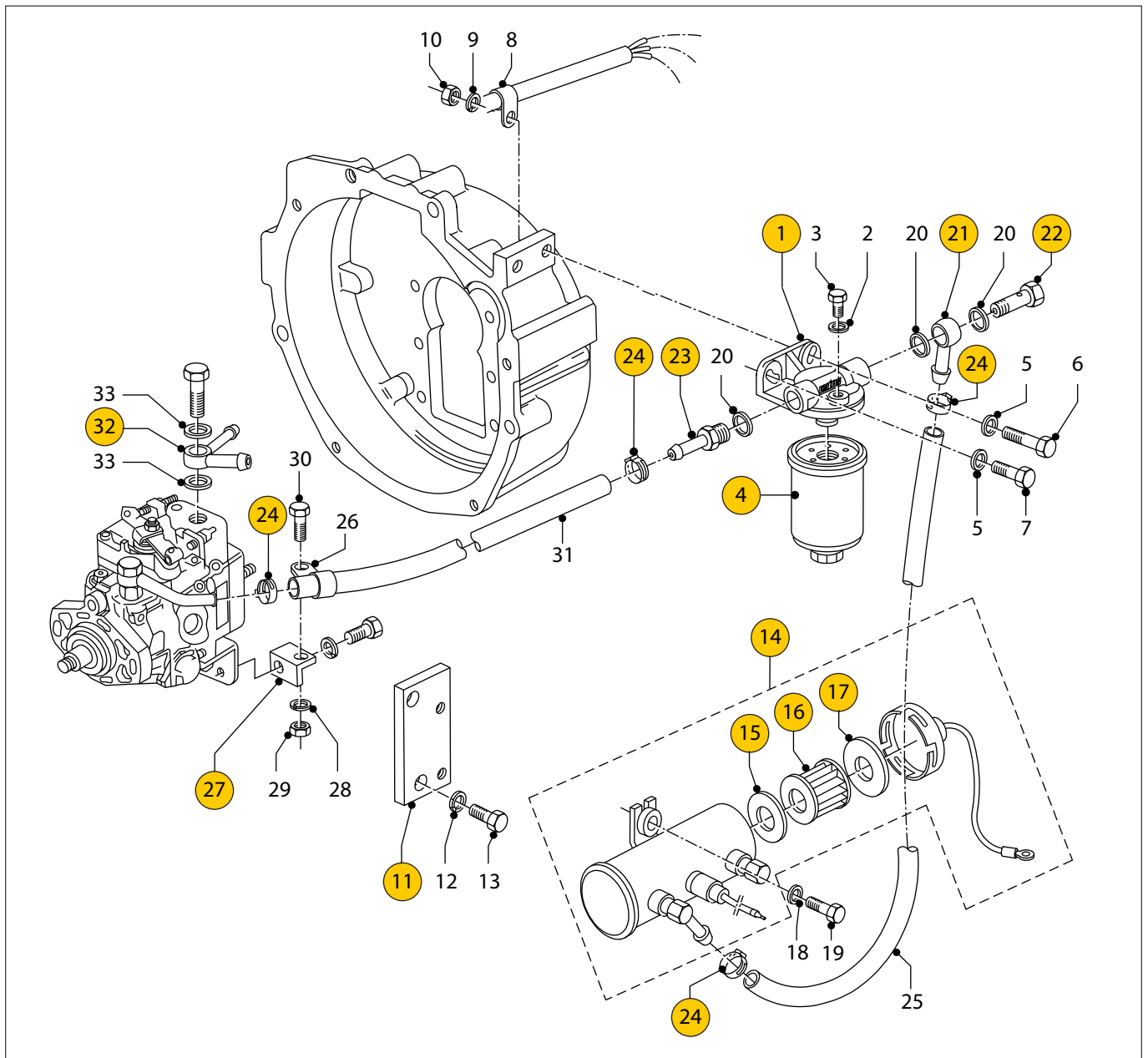


VH4.65 VH4.80

Brandstofpomp

Fuel pump

pos.	qty	part	benaming	description
1	2	STM4963	Moer	Nut
2	4	STM4964	Ring-speciaal	Washer-special
3	2	STM4965	Veerring	Spring washer
4	2	STM4966	Bout	Bolt
5	2	STM4967	Bout	Bolt
6	1	STM4968	Steun	Support
7	1	STM4969	Spie	Key
8	1	STM4970	Brandstofpomp	Fuel pump
9	1	STM4971	Moer	Nut

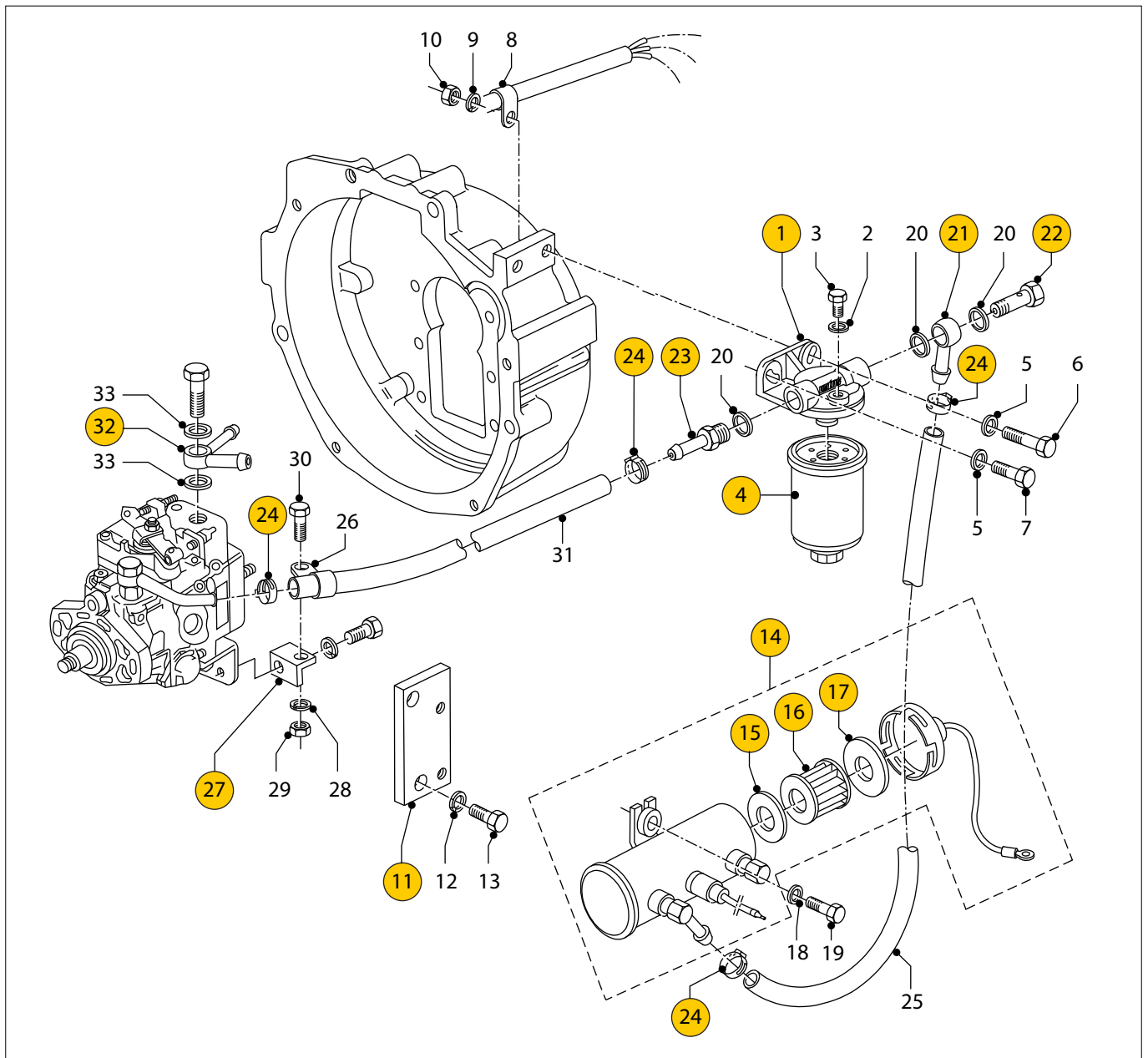


VH4.65 VH4.80

Brandstoffilters

Fuel filters

pos.	qty	part	benaming	description
1	1	STM6049	Filterkop	Filter head
2	1	STM3797	Afdichtring	Seal washer
3	1	STM3796	Ontluchtingsschroef M8x1,25x10	Bleeding screw M8x1,25x10
4	1	STM3690	Brandstoffilter	Fuel filter
5	2	STM4061	Gegolfde veerring M10	Wave spring washer M8
6	1	STM4062	Bout M10x40	Bolt M10x40
7	1	STM9003	Bout M10x25	Bolt M10x25
8	1	STM4616	Klem	Clamp
9	1	STM4014	Veerring M10	Spring washer M10
10	1	STM4018	Moer M10	Nut M10
11	1	STM4588	Steun	Support
12	2	STM4014	Veerring M10	Spring washer M10
13	2	STM9060	Bout M10x1,25x20	Bolt M10x1,25x20
14	1	STM4049	Electrische brandstofopvoerpomp	Electrical fuel lift pump
15	1	STM4038	Pakking	Gasket
16	1	STM4050	Filterelement	Filter element
17	1	STM4037	Pakking	Gasket

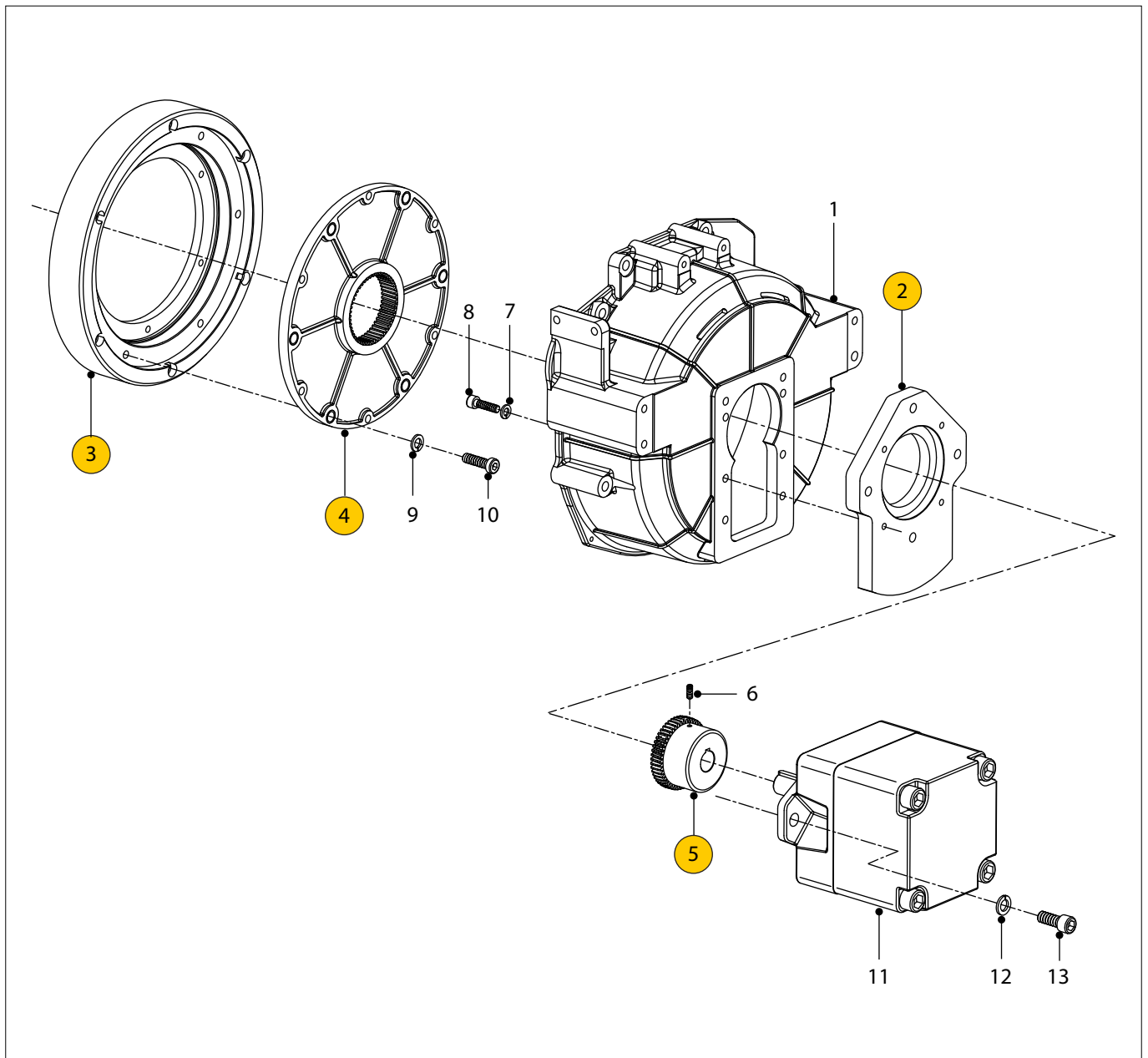


VH4.65 VH4.80

Brandstoffilters

Fuel filters

pos.	qty	part	benaming	description
18	2	STM1025	Gegolfde veerring M6	Wave spring washer M6
19	2	STM1030	Bout M6x20	Bolt M6x20
20	4	STM7056	Afdichtring	Seal washer
21	1	STM9262	Banjo oog	Banjo eye
22	1	STM8057	Banjo bout M12x1	Banjo bolt M12x1
23	1	STM4591	Slangpilaar M12x1-8mm	Hose pillar M12x1-8mm
24	4	STM6185	Klem	Clamp
25	1	STM6581	Brandstofslang 8mm l=440mm	Fuel hose 8mm l=440mm
26	1	STM4593	Klem	Clamp
27	1	STM4592	Steun	Support
28	1	STM1056	Veerring M8	Spring washer M8
29	1	STM2005	Moer M8	Nut M8
30	1	STM3355	Bout M8x20	Bolt M8x20
31	1	STM4590	Brandstofslang 8 mm l = 490 mm	Fuel hose 8 mm l = 490 mm
32	1	STM4595	Brandstofretour nippel	Fuel return nipple
33	2	STM7056	Afdichtring 12,5x20x1,5	Seal washer 12,5x20x1,5

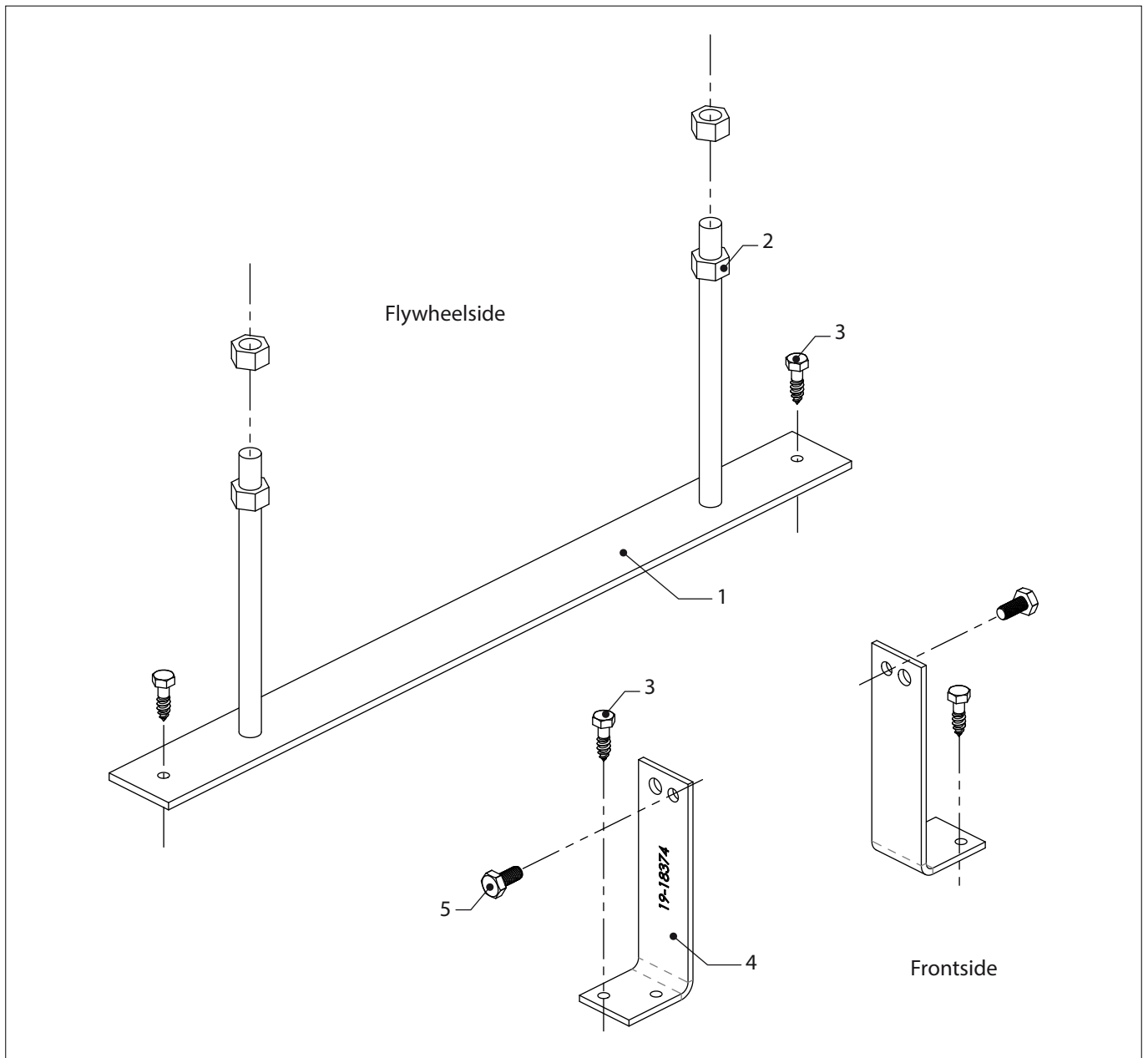


VH4.65 VH4.80

Aanbouwdelen Powerpack

Adaptor parts Powerpack

pos.	qty	part	benaming	description
1	1	STM4513	Vliegwielhuis	Flywheel housing
2	1	HT5150	Flens t.b.v. powerpack	Flange
3	1	STM4519	Vliegwielverzwaring	Flywheel ring
4	1	HT5147	Flens	Flange
5	1	HT5149	Naaf	Hub
6	1	B06166Y	Stelschroef M6x16	Adj. screw M6x16
7	4	R084Y	Veerring M8	Spring washer M8
8	4	B08307Y	Inbusbout M8x30	Allen screw M8x30
9	6	R104Y	Veerring M10	Spring washer M10
10	6	B010307YL	Inbusbout (lage kop) M10x30	Allen screw (low head) M10x30
11	1	HT5169	Plunjerpomp	Piston pump
12	2	R124Y	Veerring M12	Spring washer M12
13	2	B12307Y	Inbusbout M12x30	Allen screw M12x30

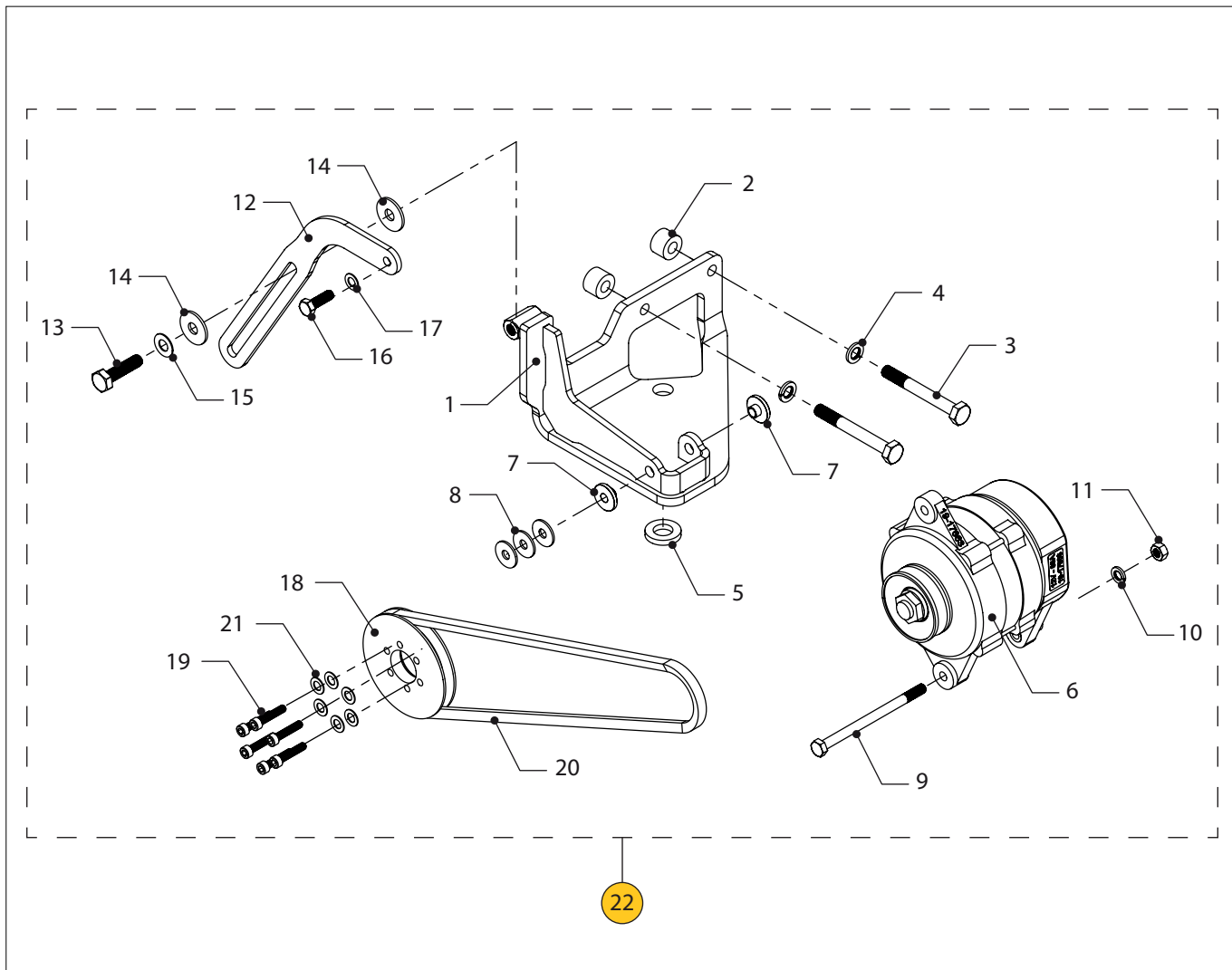


VH4.65 VH4.80

Transportsteun

Transport support

pos.	qty	part	benaming	description
1	1	08-01667	Transportsteun	Transport support
2	4	STM4010	Moer M16	Nut M16
3	6	19-17130	Houdraaibout 8x30	Wood thread bolt 8x30
4	2	19-18374	Transportsteun	Transport support
5	2	STM3705	Bout M10x1,25x25	Bolt M10x1,25x25

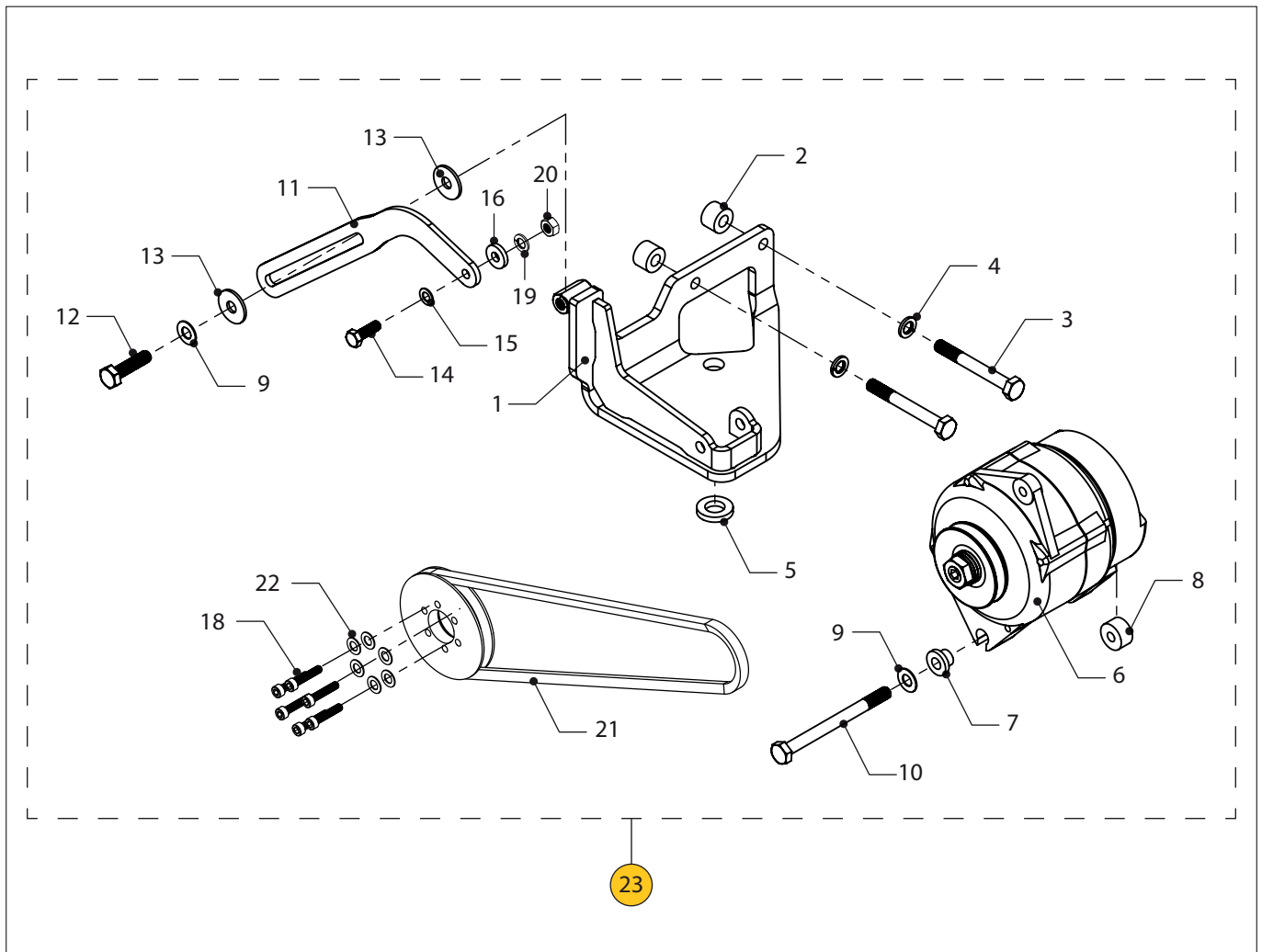


VH4.65 VH4.80

Kit tweede dynamo 12V-85A

Kit second alternator 12V-85A

pos.	qty	part	benaming	description
1	1	23-25856	Motorsteun	Engine support assy
2	2	23-25860	Bus	Bush
3	2	23-24447	Zeskantbout M10x1.25x85	Hex bolt M10x1.25x85
4	2	R104Y	Veerring	Spring lock washer
5	1	23-24376	Afstandhouder d=5	Spacer d=5
6	1	19-17663	Dynamo 12V-85A	Alternator 12V-85A
7	2	23-25921	Bus	Bush
8	3	R082Y	Vlakke sluitring 3D	Plain washer 3D
9	1	B081205Y	Zeskantbout	Hex head bolt
10	1	R084Y	Veerring	Spring lock washer
11	1	M08Y	Zeskantmoer	Hexagon nut
12	1	23-24344	Spanner	Tensioner
13	1	B10405YT	Zeskantschroef	Hexagon head screw
14	2	R102Y	Vlakke sluitring 3D	Plain washer 3D
15	1	R105Y	Gegolfde veerring	Wave spring washer
16	1	B08255YT	Zeskantschroef	Hexagon head screw
17	1	R085Y	Gegolfde veerring	Wave spring washer
18	1	23-24338	Snaarschijf	Pulley
19	6	B06307R	Zeskantige inbusdop	Hex socket head cap
20	1	STM7369	V-snaar SPZ profiel	V-belt SPZ profile
21	6	R065Y	Gegolfde veerring M6	Wave spring washer M6
22	1	23-24455	Set tweede dynamo VH4 12V-85A	Kit second alternator VH4 12V-85A



VH4.65 VH4.80

Kit tweede dynamo 12V-110A

Kit second alternator 12V-110A

pos.	qty	part	benaming	description
1	1	23-25856	Motorsteun	Engine support assy
2	2	23-25860	Bus	Bush
3	2	23-24447	Zeskantbout M10x1.25x85	Hex bolt M10x1.25x85
4	2	R104Y	Veerring	Spring lock washer
5	1	23-24376	Afstandhouder d=5	Spacer d=5
6	1	STM9292	Dynamo 12V-110A	Alternator 12V-110A
7	1	STM7641	Kraagbus	Collar bushing
8	1	23-25922	Bus	Bush
9	2	R105Y	Gegolfde veerring	Wave spring washer
10	1	B101205Y	Zeskantbout	Hex head bolt
11	1	23-24344	Spanner	Tensioner
12	1	B10405YT	Zeskantschroef	Hexagon head screw
13	2	R102Y	Vlakke sluitring 3D	Plain washer 3D
14	1	B08255YT	Zeskantschroef	Hexagon head screw
15	1	R085Y	Gegolfde veerring	Wave spring washer
16	1	CT30059	Ring Ø8,4x21x4	Washer Ø8,4x21x4
17	1	23-24338	Snaarschijf	Pulley
18	6	B06307Y	Zeskantige inbusdop M6 x 30	Hex socket head cap M6 x 30
19	1	STM1056	Veerring M8	Spring washer M8
20	1	STM2005	Zeskantmoer M8	Hex nut M8
21	1	STM7966	V-snaar M4	V-belt M4
22	6	R065Y	Gegolfde veerring M6	Wave spring washer M6
23	1	23-25855	Kit second alternator VH4 12V-110A	Set tweede dynamo VH4 12V-110A

Register Index

art.nr. / part	pag. page	pos.	art.nr. / part	pag. page	pos.	art.nr. / part	pag. page	pos.	art.nr. / part	pag. page	pos.
08-01108	3-2	8	CT30059	3-2	17	MPKB02	4-2	29	STM1017	3-15	11
08-01108	3-12	8	CT30059	3-5	20	MPKB04	4-2	29	STM1019	3-7	2
08-01351	4-6	2	CT30059	3-13	17	MPKB06	4-2	29	STM1019	3-7	9
08-01351	4-8	2	CT30059	3-16	20	MPKB12	4-2	29	STM1019	3-10	4
08-01420	4-2	27	CT30059	10-4	16	MPKC02	4-2	30	STM1019	3-11	19
08-01667	10-2	1	CT40075	4-1	8	MPKC04	4-2	30	STM1019	3-18	19
18-14649	3-2	10	CT40083	4-10	26	MPKC06	4-2	30	STM1019	4-3	5
18-14649	3-4	2	CT50079	5-4	7	MPKC12	4-2	30	STM1019	4-3	12
18-14649	3-12	10	DM10004	2-9	7	MPVB2	4-10	27	STM1019	4-4	13
18-14649	3-15	2	DM10004	2-9	8	OILB	4-9	11	STM1019	5-1	3
18-14649	3-15	10	DM10004	2-10	9	OILB	4-9	11	STM1019	5-2	16
18-14715	3-2	11	DM10004	2-10	10	OILN	4-9	11	STM1019	5-2	21
18-14715	3-4	3	EXPT1,54	3-4	10	OILN	4-9	11	STM1019	5-2	26
18-14715	3-12	11	FUHOSE13	3-2	12	P2295RKP	4-6	3	STM1019	5-4	3
18-14715	3-15	3	FUHOSE13	3-12	12	P2295RKP	4-8	3	STM1024	5-2	20
19-17130	10-2	3	HCHD073	3-6	7	P35134RKP	4-6	11	STM1025	3-6	5
19-17663	10-3	6	HCHD073	3-18	7	P35134RKP	4-9	13	STM1025	3-18	5
19-18374	10-2	4	HCS08	3-4	8	P35254ZKP	4-7	15	STM1025	4-4	2
23-24338	10-3	18	HCS08	3-15	8	P35254ZKP	4-9	17	STM1025	5-2	19
23-24338	10-4	17	HCS16	3-11	22	PA6488	4-6	10	STM1025	6-4	18
23-24344	10-3	12	HCS25	3-7	17	PA6488	4-9	12	STM1029	3-6	6
23-24344	10-4	11	HCS60	3-17	11	R065Y	10-3	21	STM1029	3-18	6
23-24376	10-3	5	HCS75	5-4	2	R065Y	10-4	22	STM1029	4-4	4
23-24376	10-4	5	HT5147	10-1	4	R082Y	10-3	8	STM1030	4-4	3
23-24447	10-3	3	HT5149	10-1	5	R084Y	10-1	7	STM1030	6-4	19
23-24447	10-4	3	HT5150	10-1	2	R084Y	10-3	10	STM1054	5-3	30
23-24455	10-3	22	HT5169	10-1	11	R085Y	10-3	17	STM1056	3-2	19
23-25855	10-4	23	HY100	2-18	9	R085Y	10-4	15	STM1056	3-4	6
23-25856	10-3	1	HY100	5-2	25	R102Y	10-3	14	STM1056	3-5	22
23-25856	10-4	1	M08Y	10-3	11	R102Y	10-4	13	STM1056	3-10	12
23-25860	10-3	2	MP35374	4-7	13	R104Y	10-1	9	STM1056	3-13	19
23-25860	10-4	2	MP35374	4-9	15	R104Y	10-3	4	STM1056	3-14	47
23-25921	10-3	7	MPA22....	4-7	18	R104Y	10-4	4	STM1056	3-15	6
23-25922	10-4	8	MPA22....	4-7	18	R105Y	10-3	15	STM1056	3-16	22
B010307YL	10-1	10	MPA22....	4-7	18	R105Y	10-4	9	STM1056	3-16	37
B06166Y	10-1	6	MPA22....	4-7	18	R124Y	10-1	12	STM1056	3-17	3
B06307R	10-3	19	MPA22....	4-7	18	SET0190	4-7	20	STM1056	4-1	2
B06307Y	10-4	18	MPA34....	4-10	22	SET0190	4-10	20	STM1056	4-2	25
B081205Y	10-3	9	MPA34....	4-10	22	SET0191	4-7	20	STM1056	4-3	8
B08255YT	10-3	16	MPA34....	4-10	22	SET0191	4-10	20	STM1056	6-4	28
B08255YT	10-4	14	MPA34....	4-10	22	SET40131	4-7	19	STM1056	10-4	19
B08307Y	10-1	8	MPA34....	4-10	22	SET40131	4-9	18	STM1059	3-2	14
B101205Y	10-4	10	MPKA02	4-2	28	SET40132	4-7	19	STM1059	3-5	19
B10405YT	10-3	13	MPKA04	4-2	28	SET40132	4-9	18	STM1059	3-10	9
B10405YT	10-4	12	MPKA06	4-2	28	STM1006	3-2	9	STM1059	3-12	14
B12307Y	10-1	13	MPKA12	4-2	28	STM1006	3-12	9	STM1059	3-15	19

art.nr. / part	pag. page	pos.	art.nr. / part	pag. page	pos.	art.nr. / part	pag. page	pos.	art.nr. / part	pag. page	pos.
STM1062	3-2	13	STM3005	3-4	14	STM4055	3-14	46	STM4526	5-4	4
STM1062	3-4	18	STM3005	3-6	9	STM4055	3-16	36	STM4527	5-2	22
STM1062	3-10	6	STM3005	3-7	14	STM4056	5-1	10	STM4528	5-1	7
STM1062	3-12	13	STM3005	3-9	7	STM4061	2-18	2	STM4528	5-1	8
STM1062	3-15	18	STM3005	3-10	15	STM4061	2-18	5	STM4530	3-11	17
STM1062	4-1	19	STM3005	3-13	25	STM4061	5-1	5	STM4530	3-18	17
STM1606	3-7	11	STM3005	3-13	28	STM4061	5-2	28	STM4531	3-11	21
STM1610	3-3	20	STM3005	3-15	14	STM4061	6-3	5	STM4534	3-11	24
STM1610	3-5	23	STM3005	3-18	9	STM4062	6-3	6	STM4536	3-3	38
STM1610	3-10	3	STM3005	5-4	9	STM4503	3-3	23	STM4536	3-14	38
STM1610	3-10	13	STM3071	3-9	9	STM4503	3-13	23	STM4537	5-4	12
STM1610	3-13	20	STM3355	3-17	4	STM4504	3-2	2	STM4540	3-10	1
STM1610	3-16	23	STM3355	4-1	3	STM4504	3-12	2	STM4540	4-10	23
STM1610	3-18	20	STM3355	4-2	26	STM4505	3-2	3	STM4541	2-1	11
STM1610	5-1	4	STM3355	4-4	14	STM4505	3-12	3	STM4541	3-10	2
STM1653	3-10	11	STM3355	6-4	30	STM4506	3-2	1	STM4544	3-5	27
STM1703	4-4	5	STM3491	5-4	6	STM4506	3-12	1	STM4544	3-16	27
STM1703	4-5	24	STM3491	5-4	8	STM4507	4-3	2	STM4545	3-4	1
STM1704	4-5	25	STM3690	1-1	1	STM4508	4-3	7	STM4545	3-15	1
STM1705	4-4	8	STM3690	6-3	4	STM4509	1-1	6	STM4546	3-4	17
STM1705	4-4	9	STM3705	10-2	5	STM4509	4-3	14	STM4550	4-4	10
STM1705	4-5	27	STM3742	3-4	7	STM4510	5-2	13	STM4551	4-4	1
STM1707	4-4	7	STM3742	3-15	7	STM4511	5-1	1	STM4559	3-4	4
STM1707	4-4	11	STM3749	3-7	4	STM4512	5-1	1	STM4559	3-9	4
STM1707	4-5	26	STM3749	4-3	10	STM4513	10-1	1	STM4559	3-15	4
STM1806	4-5	21	STM3771	3-4	13	STM4514	5-1	1	STM4560	3-9	1
STM1807	4-5	17	STM3771	3-15	13	STM4515	5-2	18	STM4565	4-3	18
STM1807	4-5	23	STM3771	5-4	5	STM4516	3-2	16	STM4575	3-9	1
STM1808	4-5	22	STM3796	6-3	3	STM4516	3-5	25	STM4580	4-3	18
STM1851	4-5	20	STM3797	6-3	2	STM4516	3-12	16	STM4583	3-14	43
STM1902	4-4	16	STM4010	10-2	2	STM4517	3-3	22	STM4583	3-16	33
STM1907	4-4	6	STM4011	2-18	7	STM4517	3-7	3	STM4584	3-14	44
STM2005	3-7	10	STM4011	5-2	23	STM4517	3-13	22	STM4584	3-16	34
STM2005	4-2	32	STM4013	5-1	4	STM4518	3-2	18	STM4585	3-11	25
STM2005	4-3	13	STM4014	3-6	2	STM4518	3-5	21	STM4585	3-14	45
STM2005	6-4	29	STM4014	3-18	2	STM4518	3-13	18	STM4585	3-16	35
STM2005	10-4	20	STM4014	4-1	13	STM4518	3-16	21	STM4586	3-14	42
STM2006	3-9	3	STM4014	6-3	9	STM4519	10-1	3	STM4586	3-16	32
STM2006	4-1	20	STM4014	6-3	12	STM4520	3-7	1	STM4588	6-3	11
STM2012	3-3	33	STM4016	5-1	4	STM4521	3-7	8	STM4590	6-4	31
STM2012	3-3	39	STM4018	4-1	14	STM4522	3-7	13	STM4591	6-4	23
STM2012	3-14	48	STM4018	6-3	10	STM4522	3-8	19	STM4592	6-4	27
STM2012	3-16	38	STM4037	6-3	17	STM4523	1-1	7	STM4593	6-4	26
STM2019	3-9	2	STM4038	6-3	15	STM4523	3-7	16	STM4595	6-4	32
STM2019	4-2	21	STM4043	3-5	26	STM4524	3-10	10	STM4610	4-1	4
STM2261	5-2	27	STM4043	3-16	26	STM4525	4-3	3	STM4611	4-1	9
STM3005	3-3	25	STM4049	6-3	14	STM4526	3-16	25	STM4612	4-1	1
STM3005	3-3	28	STM4050	6-3	16	STM4526	5-2	14	STM4616	4-1	12

art.nr. / part	pag. page	pos.	art.nr. / part	pag. page	pos.	art.nr. / part	pag. page	pos.	art.nr. / part	pag. page	pos.
STM4616	6-3	8	STM4672	3-7	19	STM4728	2-1	17	STM4768	2-8	3
STM4620	3-3	32	STM4674	3-7	20	STM4728	2-4	27	STM4769	2-8	4
STM4620	3-13	32	STM4675	3-7	21	STM4729	2-4	28	STM4770	2-8	5
STM4621	3-3	26	STM4677	3-15	17	STM4730	2-2	19	STM4771	2-8	6
STM4621	3-10	14	STM4677	3-18	10	STM4730	2-2	20	STM4772	2-8	7
STM4621	3-13	26	STM4681	2-18	1	STM4731	2-4	30	STM4773	2-8	8
STM4622	3-3	27	STM4682	2-18	4	STM4732	2-4	31	STM4774	2-8	9
STM4622	3-11	16	STM4683	2-18	6	STM4733	2-2	21	STM4775	2-8	10
STM4622	3-13	27	STM4684	2-18	3	STM4733	2-4	32	STM4776	2-8	11
STM4623	3-3	40	STM4685	3-4	5	STM4734	2-4	33,34	STM4777	2-8	12
STM4624	3-3	34	STM4685	3-15	5	STM4735	2-5	34	STM4778	2-8	13
STM4624	3-11	23	STM4687	5-1	6	STM4736	2-5	35	STM4779	2-8	14
STM4625	3-3	30	STM4687	5-2	29	STM4737	2-5	36	STM4780	2-8	15
STM4625	3-9	8	STM4688	3-17	10	STM4738	2-6	1	STM4781	2-8	16
STM4625	3-13	30	STM4689	3-17	1	STM4739	2-6	2	STM4782	2-1	9
STM4626	3-6	10	STM4690	3-17	2	STM4740	2-2	23	STM4782	2-8	17
STM4626	3-7	15	STM4691	3-17	12	STM4740	2-6	3	STM4783	2-1	10
STM4627	3-3	29	STM4700	2-5	37	STM4741	2-6	4	STM4783	2-8	18
STM4627	3-6	11	STM4701	2-5	38	STM4742	2-6	5	STM4784	2-8	19
STM4627	3-13	29	STM4702	2-3	1	STM4743	2-6	6	STM4785	2-9	1
STM4630	3-3	41	STM4703	2-3	2	STM4744	2-6	7	STM4786	2-9	2
STM4630	3-4	15	STM4704	2-3	3	STM4745	2-6	8	STM4787	2-9	3
STM4630	3-14	41	STM4705	2-3	4	STM4746	2-6	9	STM4788	2-9	4
STM4630	3-15	15	STM4706	2-3	5	STM4747	2-6	10	STM4789	2-9	5
STM4630	3-18	12	STM4707	2-3	6	STM4748	2-6	11	STM4790	2-9	6
STM4630	5-4	10	STM4708	2-3	7	STM4748	2-12	7	STM4792	2-9	7
STM4631	5-4	11	STM4709	2-3	8	STM4749	2-6	12	STM4793	2-9	7
STM4633	3-6	1	STM4710	2-3	9	STM4750	2-6	13	STM4794	2-9	7
STM4633	3-18	1	STM4711	2-3	10	STM4751	2-6	14	STM4795	2-9	7
STM4634	3-6	4	STM4712	2-3	11	STM4752	2-1	14	STM4797	2-9	8
STM4634	3-18	4	STM4713	2-3	12	STM4752	2-6	15	STM4798	2-9	8
STM4641	2-18	8	STM4714	2-3	13	STM4753	2-2	24	STM4799	2-9	8
STM4641	2-18	10	STM4715	2-3	14	STM4753	2-6	16	STM4800	2-9	8
STM4641	5-2	24	STM4715	5-1	2	STM4754	2-6	17	STM4802	2-10	9
STM4641	5-3	35	STM4716	2-3	15	STM4755	2-6	18	STM4803	2-10	9
STM4651	3-8	1	STM4717	2-3	16	STM4756	2-7	19	STM4804	2-10	9
STM4654	3-8	4	STM4718	2-4	17	STM4757	2-7	20	STM4805	2-10	9
STM4655	3-8	5	STM4719	2-4	18	STM4758	2-7	21	STM4807	2-10	10
STM4660	3-8	10	STM4720	2-4	19	STM4759	2-2	26	STM4808	2-10	10
STM4661	3-8	11	STM4721	2-4	20	STM4759	2-7	22	STM4809	2-10	10
STM4663	3-8	13	STM4722	2-1	16	STM4760	2-7	23	STM4810	2-10	10
STM4664	3-8	14	STM4722	2-4	21	STM4761	2-7	24	STM4811	2-11	1
STM4665	3-8	15	STM4723	2-1	15	STM4762	2-7	25	STM4831	2-11	2
STM4666	3-8	16	STM4723	2-4	22	STM4763	2-7	26	STM4832	2-11	3
STM4667	3-8	17	STM4724	2-4	23	STM4764	2-7	27	STM4835	2-11	4
STM4668	3-8	18	STM4725	2-4	24	STM4765	2-7	28	STM4836	2-11	5
STM4669	3-8	20	STM4726	2-4	25	STM4766	2-8	1	STM4837	2-11	6
STM4671	3-7	18	STM4727	2-4	26	STM4767	2-8	2	STM4838	2-11	7

art.nr. / part	pag. page	pos.	art.nr. / part	pag. page	pos.	art.nr. / part	pag. page	pos.	art.nr. / part	pag. page	pos.
STM4839	2-11	8	STM4887	2-14	28	STM4930	2-17	29	STM4974	4-3	19
STM4840	2-11	9	STM4888	2-14	29	STM4931	2-17	30	STM4975	5-3	31
STM4841	2-11	10	STM4889	2-14	30	STM4932	2-1	3	STM4976	3-11	18
STM4842	2-12	1	STM4890	2-14	31	STM4932	2-17	31	STM4976	3-18	18
STM4843	2-12	2	STM4891	2-14	32	STM4933	2-17	32	STM4977	5-3	32
STM4844	2-12	3	STM4892	2-15	33	STM4934	3-1	1	STM4978	5-3	33
STM4845	2-12	4	STM4893	2-15	34	STM4935	2-1	18	STM4979	5-3	34
STM4846	2-12	5	STM4894	2-15	35	STM4935	3-1	2	STM4980	2-1	4
STM4847	2-12	6	STM4895	2-15	36	STM4936	3-1	3	STM4980	3-3	24
STM4849	2-12	8	STM4896	2-15	37	STM4936	3-11	26	STM4980	3-13	24
STM4850	2-12	9	STM4897	2-15	38	STM4936	3-18	21	STM4981	2-1	1
STM4851	2-12	10	STM4898	2-15	39	STM4939	3-1	5	STM4982	2-1	2
STM4852	2-12	11	STM4899	2-15	40	STM4940	6-1	1	STM4983	2-2	28
STM4853	2-12	12	STM4900	2-15	41	STM4941	6-1	2	STM4984	2-2	22
STM4854	2-12	13	STM4901	2-15	42	STM4942	6-1	3	STM4984	2-7	29
STM4855	2-12	14	STM4902	2-15	43	STM4943	6-1	4	STM4985	4-1	18
STM4856	2-12	15	STM4903	2-16	1	STM4944	6-1	5	STM4987	5-1	12
STM4857	2-12	16	STM4904	2-16	2	STM4945	6-1	6	STM4988	3-6	13
STM4858	2-12	17	STM4905	2-16	4	STM4946	6-1	7	STM4988	3-18	13
STM4859	2-12	18	STM4906	2-16	5	STM4947	6-1	8	STM4989	3-6	14
STM4860	2-13	1	STM4907	2-16	6	STM4948	6-1	9	STM4989	3-18	14
STM4861	2-13	2	STM4907	4-10	25	STM4949	6-1	10	STM4990	3-6	15
STM4862	2-13	3	STM4908	2-16	7	STM4950	6-1	11	STM4990	3-18	15
STM4863	2-13	4	STM4909	2-1	12	STM4951	2-1	7	STM4991	3-6	16
STM4864	2-13	5	STM4909	2-16	8	STM4951	6-1	12	STM4991	3-18	16
STM4865	2-13	6	STM4910	1-1	2	STM4952	2-1	8	STM4995	3-4	16
STM4866	2-13	7	STM4910	2-16	9	STM4952	6-1	13	STM4995	3-6	8
STM4867	2-13	8	STM4912	2-2	27	STM4953	6-1	14	STM4995	3-15	16
STM4868	2-13	9	STM4912	2-16	11	STM4954	6-1	15	STM4995	3-18	8
STM4869	2-13	10	STM4913	2-16	12	STM4955	6-1	16	STM6049	6-3	1
STM4870	2-13	11	STM4914	2-16	13	STM4956	6-1	17	STM6113	3-2	4
STM4871	2-13	12	STM4915	2-16	14	STM4957	6-1	18	STM6113	3-12	4
STM4872	2-13	13	STM4916	2-16	15	STM4958	6-1	19	STM6121	3-7	5
STM4873	2-13	14	STM4917	2-16	16	STM4959	6-1	20	STM6126	3-9	5
STM4874	2-13	15	STM4918	2-16	17	STM4960	6-1	21	STM6130	3-2	7
STM4875	2-13	16	STM4919	2-17	18	STM4961	6-1	22	STM6130	3-12	7
STM4876	2-14	17	STM4920	2-17	19	STM4962	6-1	23	STM6159	4-1	11
STM4877	2-14	18	STM4921	2-17	20	STM4963	6-2	1	STM6164	3-8	3
STM4878	2-14	19	STM4922	2-2	25	STM4964	6-2	2	STM6185	6-4	24
STM4879	2-14	20	STM4922	2-17	21	STM4965	6-2	3	STM6267	2-16	10
STM4880	2-14	21	STM4923	2-17	22	STM4966	6-2	4	STM6267	4-2	22
STM4881	2-14	22	STM4924	2-17	23	STM4967	6-2	5	STM6299	3-9	6
STM4882	2-14	23	STM4925	2-17	24	STM4968	6-2	6	STM6305	4-2	24
STM4883	2-14	24	STM4926	2-17	25	STM4969	6-2	7	STM6503	3-2	6
STM4884	2-14	25	STM4927	2-17	26	STM4970	6-2	8	STM6503	3-12	6
STM4885	2-14	26	STM4928	2-17	27	STM4971	6-2	9	STM6531	3-3	21
STM4886	2-1	6	STM4929	2-1	5	STM4972	4-1	15	STM6531	3-5	28
STM4886	2-14	27	STM4929	2-17	28	STM4973	4-2	31	STM6531	3-13	21

art.nr. / part	pag. page	pos.	art.nr. / part	pag. page	pos.	art.nr. / part	pag. page	pos.
STM6531	3-16	28	STM9003	6-3	7	TACHN4000	4-8	8
STM6533	4-4	15	STM9024	3-2	15	TEMPB	4-8	10
STM6539	5-2	17	STM9024	3-5	24	TEMPB	4-9	10
STM6561	4-3	11	STM9024	3-12	15	TEMPN	4-9	10
STM6568	4-5	19	STM9024	3-16	24	TEMPN	4-9	10
STM6571	4-8	1	STM9043	4-1	7	TEMPSR120	4-10	24
STM6581	6-4	25	STM9050	4-1	5	VLT12B	4-6	9
STM6588	3-8	7	STM9050	4-1	6	VLT12B	4-8	9
STM6590	3-8	8	STM9060	3-6	3	VLT12N	4-6	9
STM6591	3-8	9	STM9060	3-18	3	VLT12N	4-8	9
STM6592	3-8	12	STM9060	6-3	13	VLT24B	4-6	9
STM6911	4-10	28	STM9063	4-4	12	VLT24B	4-8	9
STM6982	4-7	14	STM9080	4-3	15	VLT24N	4-6	9
STM7003	3-7	12	STM9169	4-6	4	VLT24N	4-8	9
STM7056	6-4	20	STM9169	4-8	4	VP000380	3-1	4
STM7056	6-4	33	STM9170	4-6	5			
STM7369	10-3	20	STM9170	4-8	5			
STM7446	3-2	5	STM9171	4-6	6			
STM7446	3-12	5	STM9171	4-8	6			
STM7568	5-4	1	STM9172	4-6	7			
STM7584	5-1	9	STM9172	4-8	7			
STM7591	4-1	10	STM9181	4-9	16			
STM7595	5-1	11	STM9186	4-6	1			
STM7641	10-4	7	STM9188	4-7	17			
STM7673	3-16	29	STM9188	4-9	14			
STM7966	10-4	21	STM9210	4-6	4			
STM8002	1-1	5	STM9210	4-8	4			
STM8057	6-4	22	STM9214	4-7	16			
STM8074	1-1	4	STM9214	4-9	19			
STM8074	3-8	2	STM9215	4-6	12			
STM8082	4-3	16	STM9215	4-10	21			
STM8126	3-7	6	STM9256	3-10	5			
STM8126	4-3	9	STM9262	6-4	21			
STM8129	4-5	18	STM9292	10-4	6			
STM8148	3-17	5	STM9502	3-4	12			
STM8169	3-16	31	STM9503	3-4	11			
STM8322	3-10	7	STM9503	3-17	9			
STM8322	4-1	16	STM9504	3-4	9			
STM8331	4-3	6	STM9504	3-15	9			
STM8508	5-2	15	STM9570	1-1	8			
STM8517	3-17	7	STM9744	3-3	35			
STM8518	3-17	8	STM9744	3-7	7			
STM8522	5-2	15	STM9744	3-13	35			
STM8603	3-8	6	TACHB4000	4-6	8			
STM8660	4-3	1	TACHB4000	4-8	8			
STM8801	3-17	6	TACHB5000	4-6	8			
STM8829	3-11	20	TACHB5000	4-8	8			
STM8829	4-3	4	TACHN4000	4-6	8			



Havenstraat 11 - 3115 HC Schiedam - The Netherlands
Tel.: +31 (0)88 4884700 - sales@vetus.com - www.vetus.com