

# Parts catalogue

## M-Line

**M4.15**

**M4.17**

**M4.35**

**M4.45**



Deze onderdelencatalogus bevat waardevolle informatie voor onderhoud en service aan uw motor.

Wij adviseren U, bij vervanging alleen originele **VETUS** onderdelen toe te passen.

Het typeplaatje bevat informatie over de typeaanduiding, het motornummer en de serie.

Gebruik deze informatie bij bestelling van onderdelen.

This parts'catalogue contains valuable information for maintenance and service over your engine.

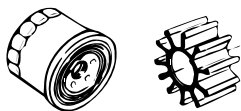
For replacement, we recommend that you use only genuine **VETUS** parts.

The identification tag contains information about model, serial number and series.

Use this information when ordering parts.

---

1



Reserve kits  
Spare parts kit

---

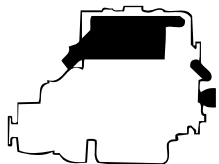
2



Motor  
Engine

---

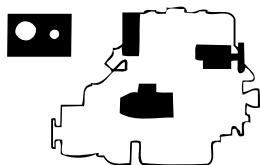
3



Koeling  
Cooling

---

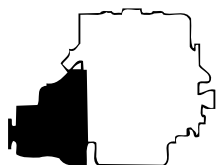
4



Electra, bediening en instrumenten  
Electrics, controls, instruments

---

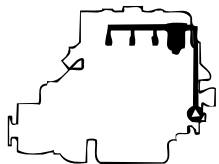
5



Aandrijving  
Transmission

---

6



Brandstofsysteem  
Fuel system

---

7

Generator  
Generator

---

8

Gereedschappen  
Tools

---

9

10

Accessoires  
Optionals

---

qty	part	benaming	description
2	STM6101	Motorreuker 55-58	Engine support PS-58
4	STM702	Bout M16x20-50	Bolt M16x20-50
4	STM3022	Ring	Washer
2	STM2101	Washertrommel	Washer
4	STM4010	Moer M16x1,5	Nut M16x1,5
2	STM4011	Ring	Washer
2	STM1023	Chassis KOTELINISIV	Engine Mount KOTELINISIV
2	STM7584	Motorreuker 58-58	Engine support SR-PS
4	STM7585	Bout M12x17-50	Bolt M12x17-50
4	STM4055	Opgelaste wassering M12	Washering washer M12

1

De volledige stuklijst staat op deze pagina.

The full parts list is shown on this page.

qty	part	benaming	description
1	STM1010	Zwaartepomp	Stabiliser pump
1	STM1127	O-ring	O-ring
4	STM126	Wasserpomp	Clamp plate
4	STM1019	Ring	Washer
4	STM2055	Moer M8	Nut M8
1	STM1435	Brandstofpomp M2.04	Fuel pump M2.04
1	STM1427	Brandstofpomp M2.04	Fuel pump M2.04
1	STM1006	Brandstofpomp M2.02/M2.05	Fuel pump M2.02/M2.05
1	STM1127	Brandstofpomp	Fuel pump
2	STM1060	Moer M8	Nut M8
1	STM1138	Padring	Gasket
2	STM1130	Tapiet M6x14	Stud M6x14
1	STM1130	Adapter	Adapter
11	STM2138	Bout M8x5	Bolt M8x5
11	STM2135	Bout M8x20	Bolt M8x20
1	STM1114	Padring	Gasket

1 2

De stuklijst is verdeeld over 2 pagina's. Op deze pagina staat het eerste deel.

The parts list is spread over 2 pages. On this page the **first** part is shown.

qty	part	benaming	description
1	STM1145	Overloopstuk	Overflow housing
1	STM1146	Tandwiel buiten	Gear outer
1	STM1148	Tandwiel binnen	Gear inner
16	STM2160	Bout M8x10	Bolt M8x10
1	STM1229	Wasserpomp bromwater	Water pump coolant
1	STM2026	Padring	Gasket
2	STM1231	Bout M8x18	Bolt M8x18
22	STM1235	Bout M8x10	Bolt M8x10
23	STM1232	Bout M8x5	Bolt M8x5
24	STM1233	Bout M8x15	Bolt M8x15
1	STM2025	Vastzet 1-925 mm, 40 A dynamo	V-belt 1-925 mm, 40 A dynamo
1	STM2027	Vastzet 1-925 mm, 75 A dynamo	V-belt 1-925 mm, 75 A dynamo
1	STM2227	Pulley wasserpomp	Pulley water pump
4	STM1015	Bout M8x12	Bolt M8x12

1 2

De stuklijst is verdeeld over 2 pagina's. Op deze pagina staat het tweede deel.

The parts list is spread over 2 pages. On this page the **second** part is shown.

qty	part	benaming	description
1	VFP01008	Turbocompressor VFA	Turbocompressor VFA
2	VFP01216	Moer M8	Nut M8
4	VFP01219	Draadend M8	Stud M8
1	VFP01262	Padring turbo	Gasket turbo
1	DMV0356	Slang	Silicon hose
1	VFP01194	Slangtrem 40-54	Clamp 40-54
1	VFP01171	Sluit	Sealant
1	VFP01284	Schroefspanning turbo	Actuator
2	VFP01285	Belegings M8	Lock nut M8
10	RC28	Ring M8	Washer M8
11	VFP01287	Bout M8x14	Bolt M8x14
12	RC28	Ring M8	Washer M8
1	VFP01288	Slang 3x7 L=0,20 m	Hose 3x7 L=0,20 m
16	VFP01295	Slangtrem 25-9	Hose clamp 25-9
15	VFP01272	Plaat 4x6	Heat shield
16	VFP01273	Bout M8x20	Bolt M8x20
17	RC28	Ring M8	Washer M8
18	DMV0357	Ring M8	Washer M8
1	VFP01241	Bul	Bush
1	DMV0355	Ontzet sproeihoek VFA	Exhaust manifold VFA

- Verkrijgbaar als reserveonderdelen.  
Andere onderdeelnummers zijn nog niet geactiveerd als reserveonderdeel. Deze zijn mogelijk beschikbaar op aanvraag.
- Available as spare parts.  
Remaining part numbers have not been set up as spare part. Potentially available on request.



# Inhoud Contents

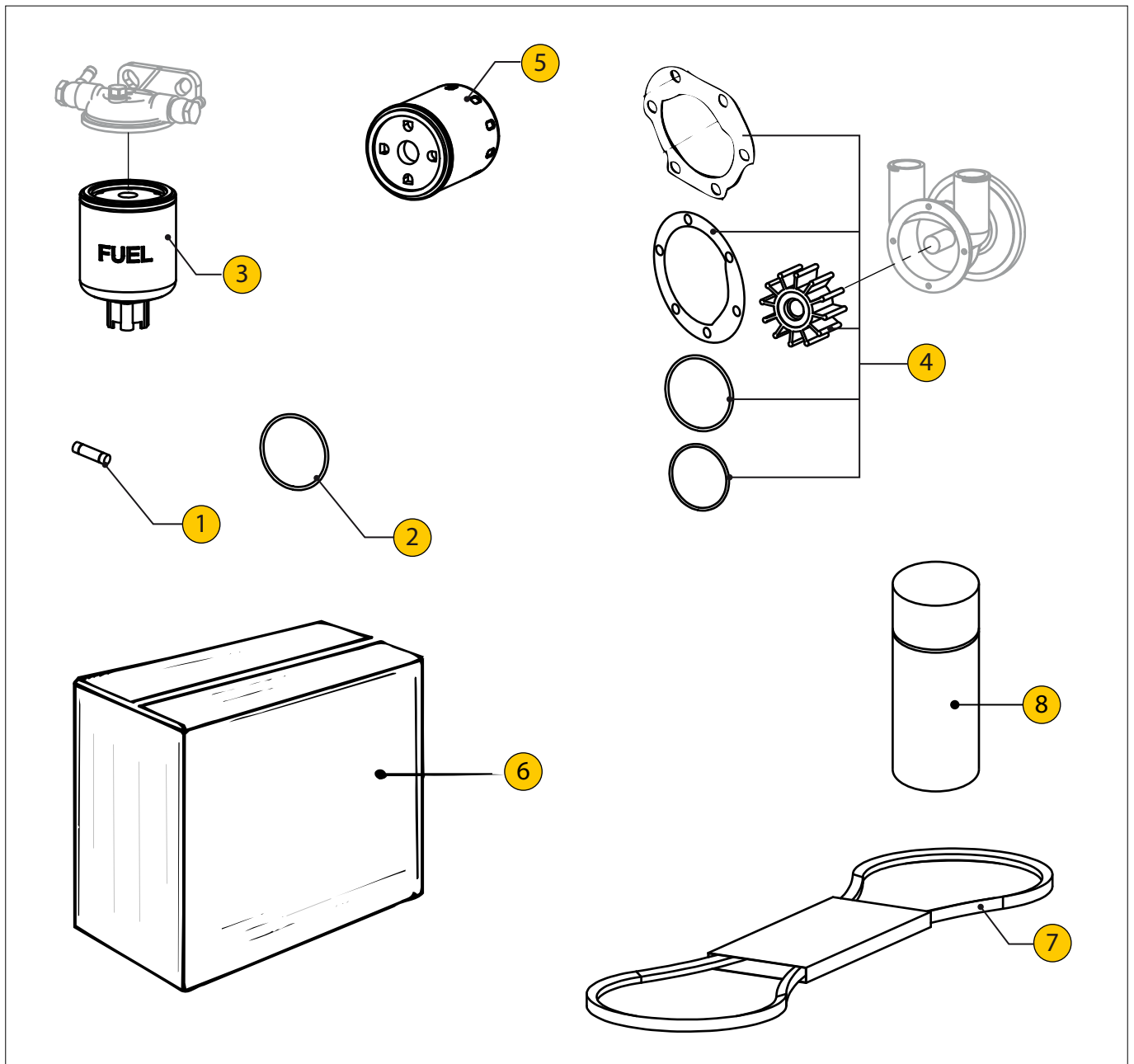
pag. page	type		omschrijving	description
1-1	M4.15	M4.17	Serviceonderdelen	Service parts
1-2	M4.35	M4.45	Serviceonderdelen	Service parts
2-1	M4.15 M4.35	M4.17 M4.45	Motorblok	Engine block
2-2	M4.15 M4.35	M4.17 M4.45	Motorblok	Engine block
2-3	M4.15 M4.35	M4.17 M4.45	Motorblok	Engine block
2-4	M4.15 M4.35	M4.17 M4.45	Krukas + zuiger	Crankshaft + piston
2-5	M4.15 M4.35	M4.17 M4.45	Krukas + zuiger	Crankshaft + piston
2-6	M4.15 M4.35	M4.17 M4.45	Kleppen	Valves
2-7	M4.15 M4.35	M4.17 M4.45	Kleppen	Valves
2-8	M4.15 M4.35	M4.17 M4.45	Cilinderkop	Cylinder head
2-9	M4.15 M4.35	M4.17 M4.45	Kleppendeckel + nokkenas	Rocker cover + camshaft
2-10	M4.15 M4.35	M4.17 M4.45	PTO	PTO
2-11	M4.15 M4.35	M4.17 M4.45	PTO	PTO
2-12	M4.15 M4.35	M4.17 M4.45	Carterpan + oliepomp	Oil pan + oil pump
2-13	M4.15	M4.17	Oliepeilstok	Oil dipstick
2-14	M4.35	M4.45	Oliepeilstok	Oil dipstick
2-15	M4.15	M4.17	Luchtinlaat	Airintake
2-16	M4.15 M4.35	M4.17 M4.45	Revisie pakkingset	Overhaul gasket kit
2-17	M4.15 M4.35	M4.17 M4.45	Revisie pakkingset	Overhaul gasket kit
2-18	M4.15	M4.17	Luchtinlaatkast 06-2009 <-	Air intake housing 06-2009 <-
2-19	M4.15	M4.17	Luchtinlaatkast 06-2009 ->	Air intake housing 06-2009 ->
2-20	M4.35	M4.45	Luchtfilter	Air cleaner
2-21	M4.15 M4.35	M4.17 M4.45	Motorsteunen	Engine supports
2-22	M4.35	M4.45	Afschermkap 2016-04 <-	Protection cover 2016-04 <-
2-23	M4.35	M4.45	Afschermkap 2016-04 ->	Protection cover 2016-04 ->
2-24	M4.35	M4.45	Olieaftappomp	Oil drain pump

pag. page	type		omschrijving	description
3-1	M4.15 M4.35	M4.17 M4.45	Circulatiepomp	Circulation pump
3-2	M4.15 M4.35	M4.17 M4.45	Warmtewisselaar unit	Heat exchanger unit
3-3	M4.15 M4.35	M4.17 M4.45	Warmtewisselaar unit	Heat exchanger unit
3-4	M4.15	M4.17	Kielkoelspruitstuk	Keel cooler manifold
3-5	M4.15	M4.17	Kielkoelspruitstuk	Keel cooler manifold
3-6	M4.15	M4.17	Aansluiting circulatiepomp, kielkoeling 06-2009 <-	Connection of circulation pump, keelcooling 06-2009 <-
3-7	M4.15	M4.17	Aansluiting circulatiepomp, kielkoeling ->06-2009	Connection of circulation pump, keelcooling ->06-2009
3-8	M4.35	M4.45	Aansluiting kielkoeling	Connection keel cooling
3-9	M4.15 M4.35	M4.17 M4.45	Thermostaathuis	Thermostat housing
3-10	M4.15	M4.17	Slangen, binnenwater 06-2009 <-	Hoses, coolant 06-2009<-
3-11	M4.15 M4.35	M4.17 M4.45	Slangen, binnenwater 06-2009 ->	Hoses, coolant 06-2009 ->
3-12	M4.35	M4.45	Bovenkap interkoeling	Upper cover intercooling
3-13	M4.35	M4.45	Bovenkap kielkoeling	Upper cover keel cooling
3-14	M4.15	M4.17	Slangen, buitenwater	Hoses, raw water
3-15	M4.15	M4.17	Zeewaterpomp	Seawater pump
3-16	M4.35	M4.45	Zeewaterpomp	Seawater pump
3-17	M4.35	M4.45	Buitenwater pomp, interkoeling/hydraulische keerkoppeling	Sea water pump, intercooling/hydraulic gearbox
3-18	M4.35	M4.45	Buitenwater pomp, interkoeling/hydraulische keerkoppeling	Sea water pump, intercooling/hydraulic gearbox
3-19	M4.35	M4.45	Buitenwater pomp, interkoeling/mechanische keerkoppeling	Sea water pump, intercooling/mechanical gearbox
3-20				
4-1	M4.15	M4.17	Startmotor + dynamo	Starter motor + alternator
4-2	M4.15	M4.17	Startmotor + dynamo	Starter motor + alternator
4-3	M4.15 M4.35	M4.17 M4.45	Dynamo 110 A - 12 V 1P Standaard	Alternator 110 A - 12 V Earth return Standard
4-4	M4.15	M4.17	Dynamo 12V-110A 1p 2e dynamo, kielkoeling 06-2009<-	Alternator 12V-110A 1p 2nd alternator, keelcooling 06-2009<-
4-5	M4.15	M4.17	Dynamo 12V-110A 1p 2e dynamo, kielkoeling 06-2009<-	Alternator 12V-110A 1p 2nd alternator, keelcooling 06-2009<-
4-6	M4.15 M4.35	M4.17 M4.45	Tweede dynamo 12 V - 110 A, 1p., kielkoeling	Extension alternator 12 V - 110 A, 1p., keelcooling
4-7	M4.15 M4.35	M4.17 M4.45	Tweede dynamo 12 V - 110 A, 1p., kielkoeling	Extension alternator 12 V - 110 A, 1p., keelcooling
4-8	M4.15 M4.35	M4.17 M4.45	Tweede dynamo 12 V - 85 A, 1p.	Extension alternator 12 V - 85 A, 1p.

pag. page	type		omschrijving	description
4-9	M4.15 M4.35	M4.17 M4.45	Tweede dynamo 12 V - 85 A, 1p.	Extension alternator 12 V - 85 A, 1p.
4-10	M4.15 M4.35	M4.17 M4.45	Zenders + schakelaars	Sender units + switches
4-11	M4.15	M4.17	Bedradingskast, 2001 <-	Terminal box, 2001 <-
4-12	M4.15	M4.17	Bedradingskast, 2001 ->	Terminal box, 2001 ->
4-13	M4.35	M4.45	Motorbedrading	Engine wiring
4-14	M4.15	M4.17	Instrumenten paneel '20' standaard 2001 <-	Instrument panel '20' standard 2001 <-
4-15	M4.15	M4.17	Instrumenten paneel '22' standaard 2001 <-	Instrument panel '22' standard 2001 <-
4-16	M4.15	M4.17	Instrumenten paneel '22' standaard 2001 ->	Instrument panel '22' standard 2001 ->
4-17	M4.15 M4.35	M4.17 M4.45	Instr. paneel model '22' voor motor met 2e dynamo, kielkoeling	Instr. panel model '22' for engine with 2nd alternator, keelcooling
4-18	M4.15 M4.35	M4.17 M4.45	Instr. paneel model '34'	Instr. panel model '34'
4-19	M4.15 M4.35	M4.17 M4.45	Instr. paneel model '34'	Instr. panel model '34'
4-20	M4.15 M4.35	M4.17 M4.45	Instr. paneel model '34'	Instr. panel model '34'
4-21	M4.15 M4.35	M4.17 M4.45	Instr. paneel model '34' voor motor met 2e dynamo, kielkoeling	Instr. panel model '34' for engine with 2nd alternator, keelcooling
4-22	M4.15	M4.17	Bediening, GAS	Controls, THROTTLE
4-23	M4.35	M4.45	Bediening, GAS	Controls, THROTTLE
4-24	M4.35	M4.45	Bediening, GAS	Controls, THROTTLE
4-25	M4.15 M4.35	M4.17 M4.45	Bediening, KEERKOPPELING	Controls, GEARBOX
5-1	M4.15 M4.35		Vliegwielhuis TMC40	Flywheel housing TMC40
5-2	M4.15 M4.35		Vliegwielhuis TMC60	Flywheel housing TMC60
5-3	M4.15 M4.35		Vliegwielhuis TM345H (A)	Flywheel housing TM345H (A)
5-4	M4.15 M4.35		Vliegwielhuis ZF10M	Flywheel housing ZF10M
5-5	M4.15 M4.35		Vliegwielhuis ZF12M	Flywheel housing ZF12M
5-6	M4.15 M4.35		Vliegwielhuis ZF15MA	Flywheel housing ZF15MA
5-7	M4.15 M4.35		Vliegwielhuis ZF12	Flywheel housing ZF12
5-8	M4.15 M4.35		Vliegwielhuis ZF25 (A)	Flywheel housing ZF25 (A)
5-9	M4.15 M4.35		Vliegwielhuis PRM150	Flywheel housing PRM150
5-10		M4.17 M4.45	Vliegwielhuis TMC40	Flywheel housing TMC40
5-11		M4.17 M4.45	Vliegwielhuis TMC60	Flywheel housing TMC60

pag. page	type		omschrijving	description
5-12	M4.17 M4.45		Vlieg wielhuis TM345H (A)	Flywheel housing TM345H (A)
5-13	M4.17 M4.45		Vlieg wielhuis ZF10M	Flywheel housing ZF10M
5-14	M4.17 M4.45		Vlieg wielhuis ZF12M	Flywheel housing ZF12M
5-15	M4.17 M4.45		Vlieg wielhuis ZF15MA	Flywheel housing ZF15MA
5-16	M4.17 M4.45		Vlieg wielhuis ZF12	Flywheel housing ZF12
5-17	M4.17 M4.45		Vlieg wielhuis ZF25 (A)	Flywheel housing ZF25 (A)
5-18	M4.17 M4.45		Vlieg wielhuis PRM150	Flywheel housing PRM150
5-19	M4.15	M4.17	Oliekoeler keerkoppeling	Oil cooler gearbox
5-20				
6-1	M4.15 M4.35	M4.17 M4.45	Regulateur	Regulator
6-2	M4.15 M4.35	M4.17 M4.45	Regulateur	Regulator
6-3	M4.15 M4.35	M4.17 M4.45	Brandstofleidingen	Fuel pipes
6-4	M4.15 M4.35	M4.17 M4.45	Brandstofpomp	Fuel pump
6-5	M4.15 M4.35	M4.17 M4.45	Brandstofpomp	Fuel pump
6-6	M4.15 M4.35	M4.17 M4.45	Verstuiverhouder	Nozzle holder
6-7	M4.15	M4.17	Brandstoffilter	Fuel filter
6-8	M4.15	M4.17	Brandstoffilter	Fuel filter
6-9	M4.15	M4.17	Brandstoffilter	Fuel filter
6-10	M4.35	M4.45	Brandstoffilter	Fuel filter
6-11	M4.35	M4.45	Brandstoffilter	Fuel filter
6-12				
10-1	M4.15 M4.35	M4.17 M4.45	Verloopset saildrive 110S	Adaptor kit saildrive 110S
10-2	M4.15 M4.35	M4.17 M4.45	Verloopset saildrive 120S	Adaptor kit saildrive 120S
10-3	M4.15 M4.35	M4.17 M4.45	Verloopset saildrive 120SB	Adaptor kit saildrive 120SB
10-4	M4.15	M4.17	Saildrive ZF SD10	Saildrive ZF SD10
10-5	M4.15	M4.17	Saildrive ZF SD10	Saildrive ZF SD10
10-6	M4.35	M4.45	Saildrive ZF SD10 06-2020 ->	Saildrive ZF SD10 06-2020 ->
10-7	M4.35	M4.45	Saildrive ZF SD10 06-2020 ->	Saildrive ZF SD10 06-2020 ->

<b>pag. page</b>	<b>type</b>	<b>omschrijving</b>	<b>description</b>
10-8	M4.15 M4.17	Saildrive ZF SD10	Saildrive ZF SD10
10-9	M4.15 M4.17	Boileraansluiting, interkoeling, 06-2009 <-	Calorifier connection, intercooling, 06-2009 <-
10-10	M4.15 M4.35 M4.17 M4.45	Boileraansluiting, interkoeling, 06-2009 ->	Calorifier connection, intercooling, 06-2009->
10-11	M4.15 M4.17	Boileraansluiting, kielkoeling, , 06-2009 <-	Calorifier connection, keelcooling, 06-2009 <-
10-12	M4.15 M4.35 M4.17 M4.45	Boileraansluiting, kielkoeling, 06-2009 ->	Calorifier connection, keelcooling, 06-2009 ->
10-13	M4.15 M4.35 M4.17 M4.45	Aanbouwdelen hydraulische aandrijving	Adapter parts for hydraulic propulsion
10-14	M4.15 M4.35 M4.17 M4.45	Saildrive SP60	Saildrive SP60
10-15	M4.15 SOLAS M4.17 SOLAS	Instrumenten paneel MP10	Instrument panel MP10
10-16	M4.15 SOLAS M4.17 SOLAS	Tilt kit	Tilt kit
10-17	M4.15 SOLAS M4.17 SOLAS	Impeller interkoeling	Impeller Intercooling
10-18	M4.15 SOLAS M4.17 SOLAS	Motorverwarming	Engine heater
10-19	M4.15 SOLAS M4.17 SOLAS	Veerstarter	Spring starter
10-20	M4.15 M4.35 M4.17 M4.45	Separaat gemonteerd oliefilter + brandstof-filter	Oil filter + fuel filter, separately installed
10-21	M4.15 M4.35 M4.17 M4.45	Separaat gemonteerd oliefilter + brandstof-filter	Oil filter + fuel filter, separately installed
10-22	M4.35 M4.45	Transportsteun	Transport support
10-23	M4.35 M4.45	Dynamo set 12V-140A	Alterator kit 12V-140A
		Register	Index



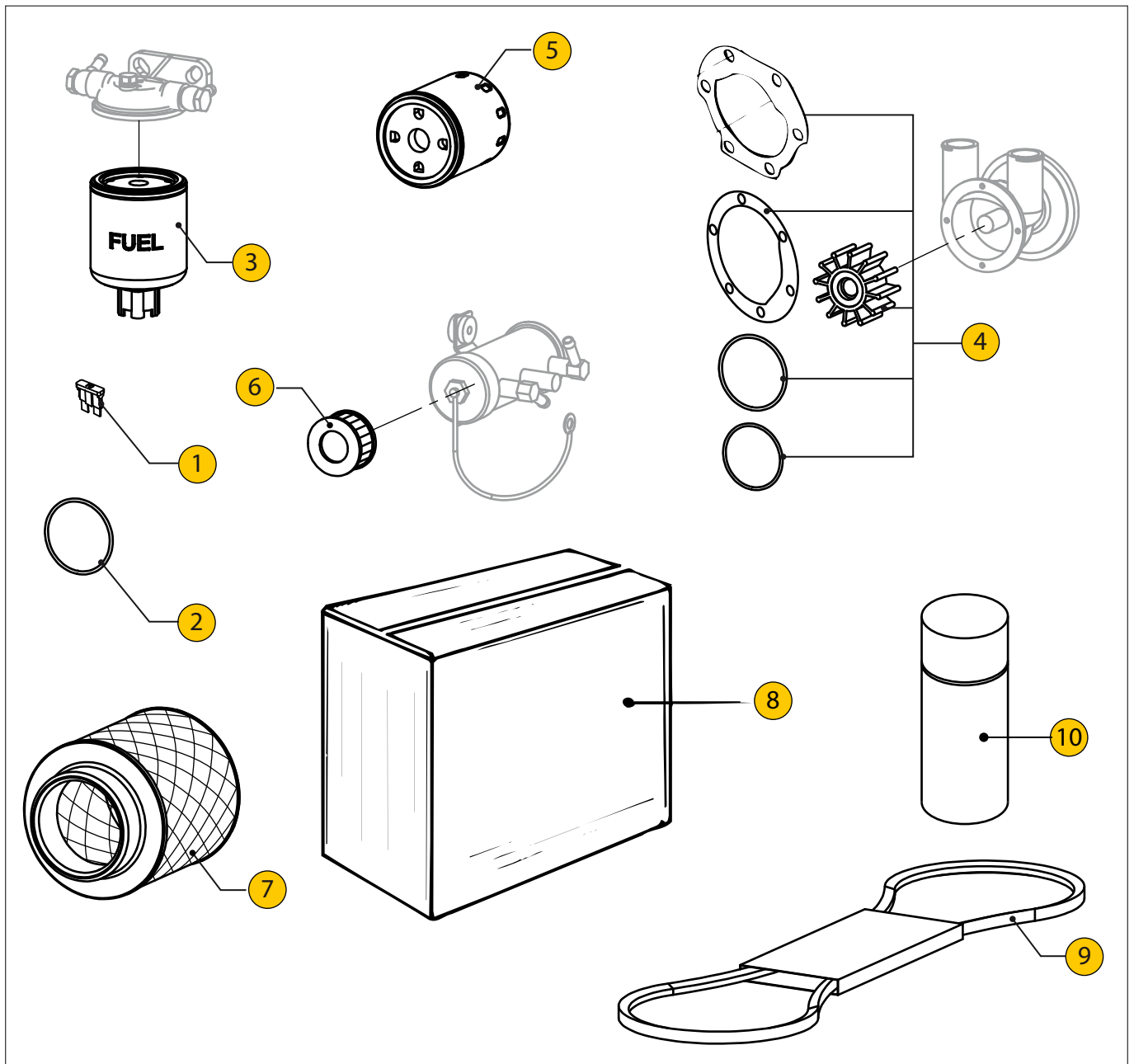
M4.15

M4.17

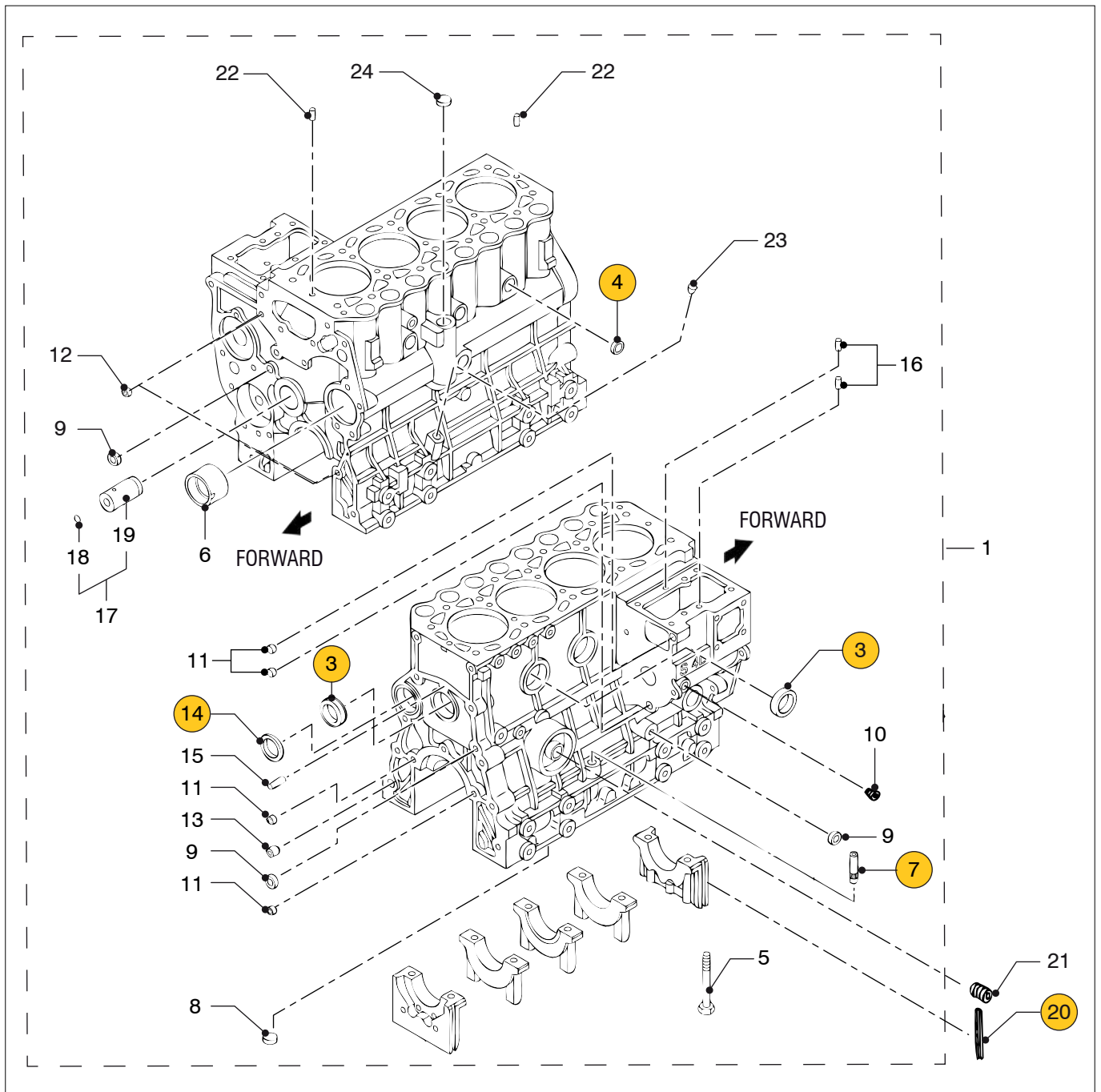
Serviceonderdelen

Service parts

pos.	qty	part	benaming	description
1	5	STM9185	Glaszekering 10A T ø6,3x32	Glass fuse 10A slow ø6,3x32
2	2	STM6113	O-ring Warmtewisselaar 61x2,5	O-ring Heat exchanger 61x2.5
3	1	STM3690	Brandstoffilter	Fuel filter
4	1	STM8076	Impeller + pakkingen	Impeller + gaskets
5	1	STM0051	Oliefilter	Oil filter
6	1	STM9543	Service kit pos 3, 4, 5, 7 (STM7966)	Service kit pos 3, 4, 5, 7 (STM7966)
7	1	STM7966	V-snaar 50 A dynamo	V-belt 50 A alternator
	1	STM9857	V-snaar 75 A dynamo 06-2009 ->	V-belt 75 A alternator 06-2009 ->
	1	STM7643	V-snaar 85 A dynamo (SPZ)	V-belt 85 A alternator
	1	STM9858	V-snaar 110 A dynamo 06-2009 ->	V-belt 110 A alternator 06-2009 ->
8	1	STM0056	Spuitbus verf	Spray can paint
	1	STM9857	V-snaar 75 A dynamo 06-2009	V-belt 75 A alternator ->06-2009

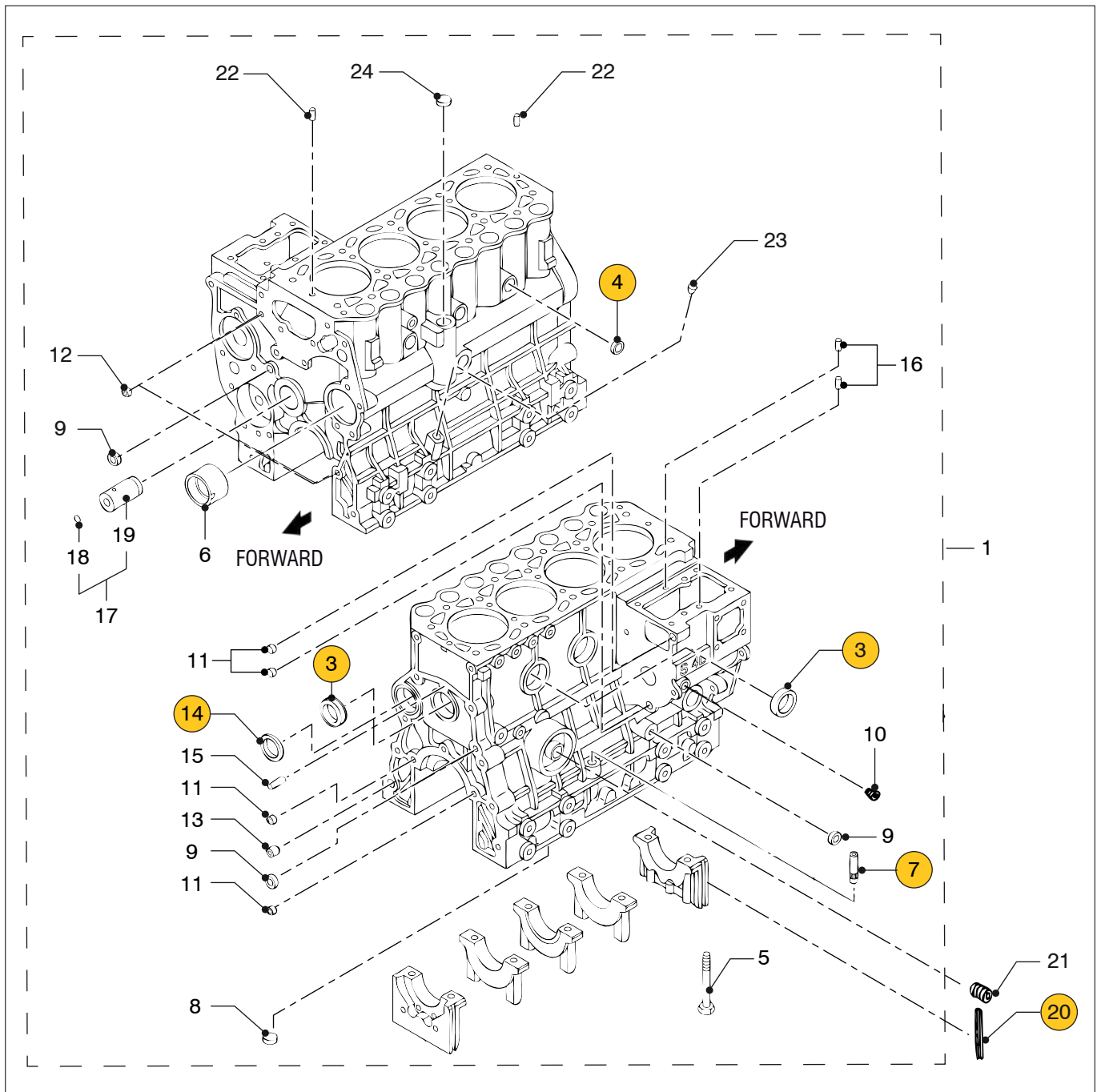


M4.35		M4.45		Serviceonderdelen	Service parts
pos.	qty	part	benaming	description	
1	5	08-01420	Steek zekering ATO 10A	ATO fuse 10A	
2	2	STM6113	O-ring Warmtewisselaar 61x2,5	O-ring Heat exchanger 61x2.5	
3	1	STM3690	Brandstoffilter	Fuel filter	
4	1	STM8076	Impeller + pakkingen	Impeller + gaskets	
5		STM0051	Oliefilter	Oil filter	
6	1	STM4050	Brandstoffilter opvoerpomp	Fuel filter fuel lift pump	
7	1	08-01308	Luchtfilterelement	Air cleaner element	
8	1	STM9545	Service kit pos 3 t.e.m. 7 + 9 (STM9857)	Service kit pos 3 t.e.m. 7 + 9 (STM9857)	
9	1	STM9857	V-snaar 75 A dynamo	V-belt 75 A alternator	
	1	STM9858	V-snaar 110 A dynamo	V-belt 110 A alternator	
10	1	STM0056	Spuitbus verf	Spray can paint	

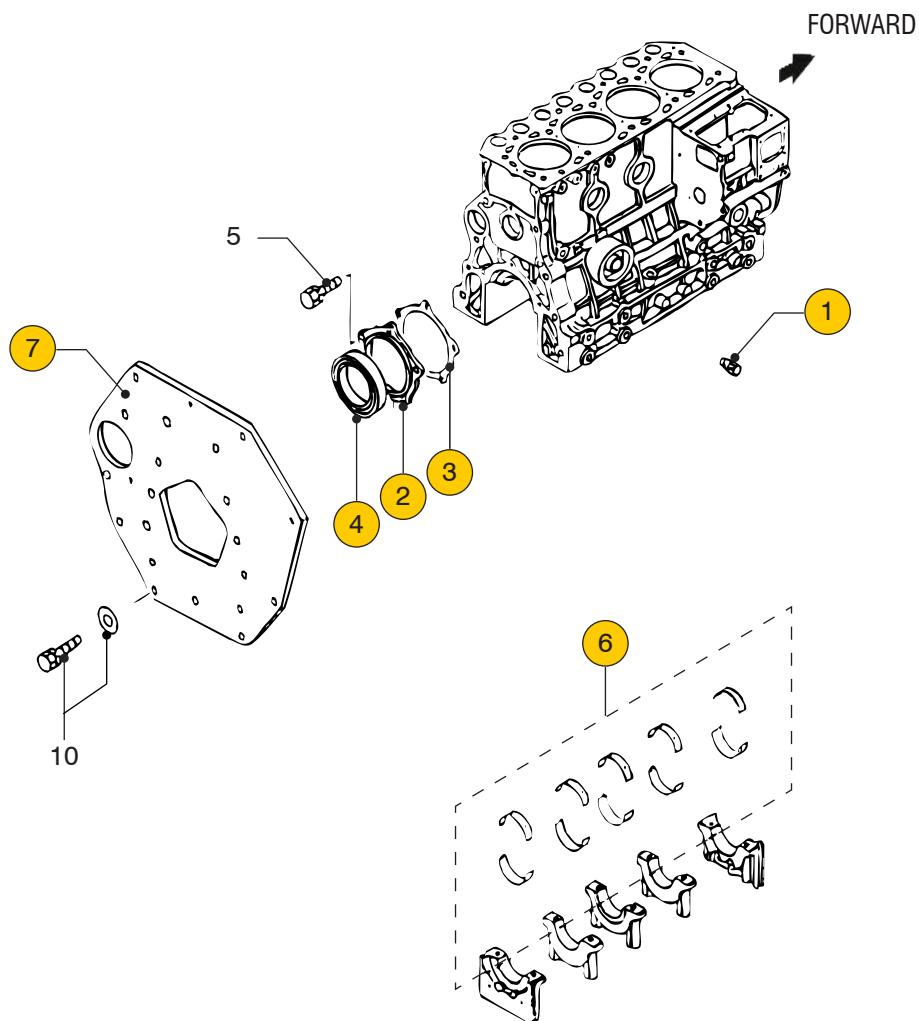


M4.15 M4.35		M4.17 M4.45		Motorblok	Engine block
pos.	qty	part	benaming	description	
1	1	STM7742	Motorblok	Engine block	
3	3	STM7743	Kap	Cap	
4	3	STM7744	Kap	Cap	
5	10	STM7745	Bout	Bolt	
6	1	STM7746	Bus	Bush	
7	1	STM1103	Geleider	Guide	
8	1	STM7747	Kap	Cap	
9	3	STM7748	Kap serienr. 131522 <-	Cap serial nr. 131522 <-	
	1	STM7748	Kap serienr. 131523 ->	Cap serial nr. 131523 ->	
	2	STM9477	Plug serienr. 131523 ->	Plug serial nr. 131523 ->	
10	1	STM7749	Plug	Plug	
11	4	STM7750	Bus	Bush	
12	2	STM2510	Bus	Bush	

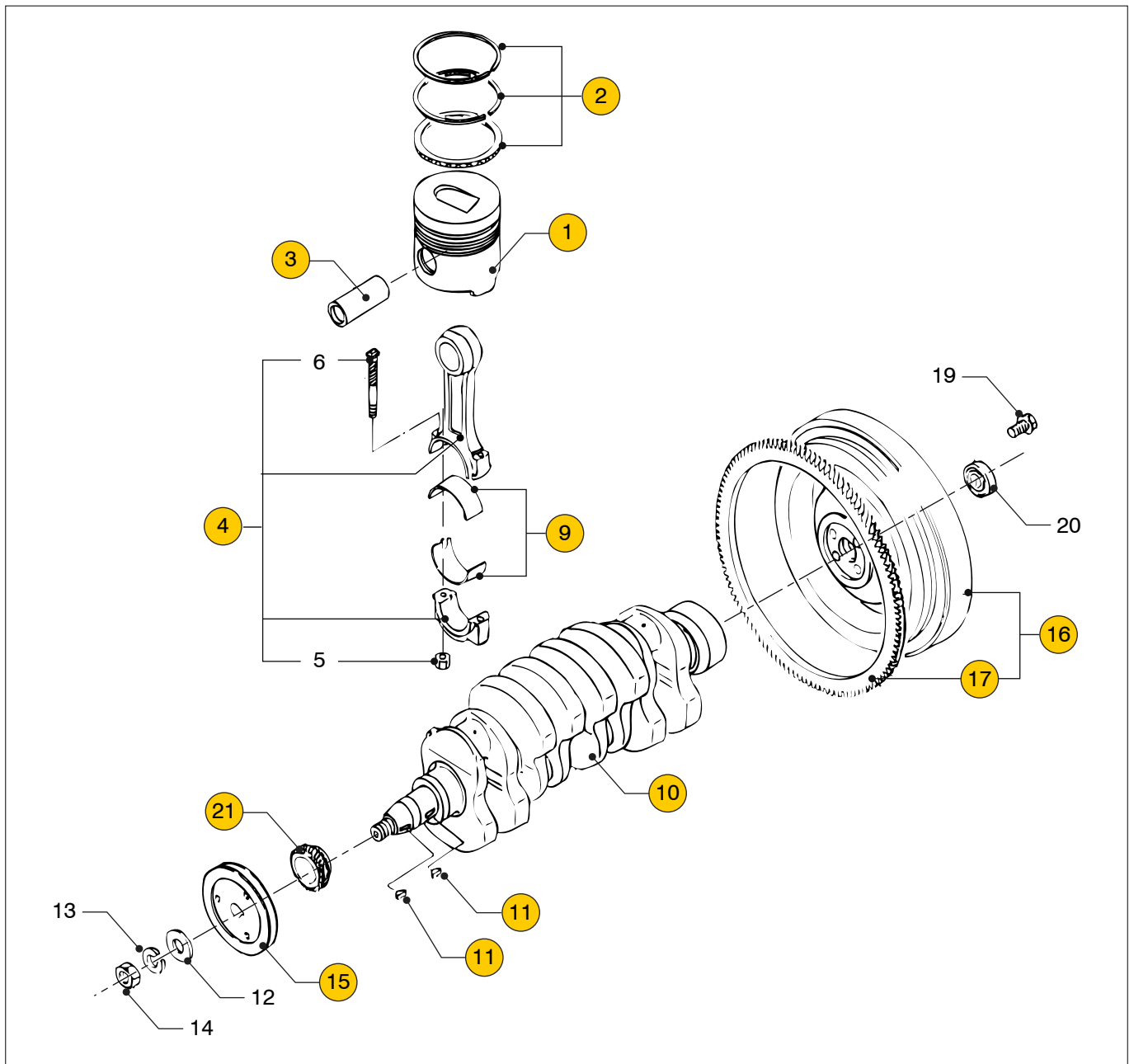




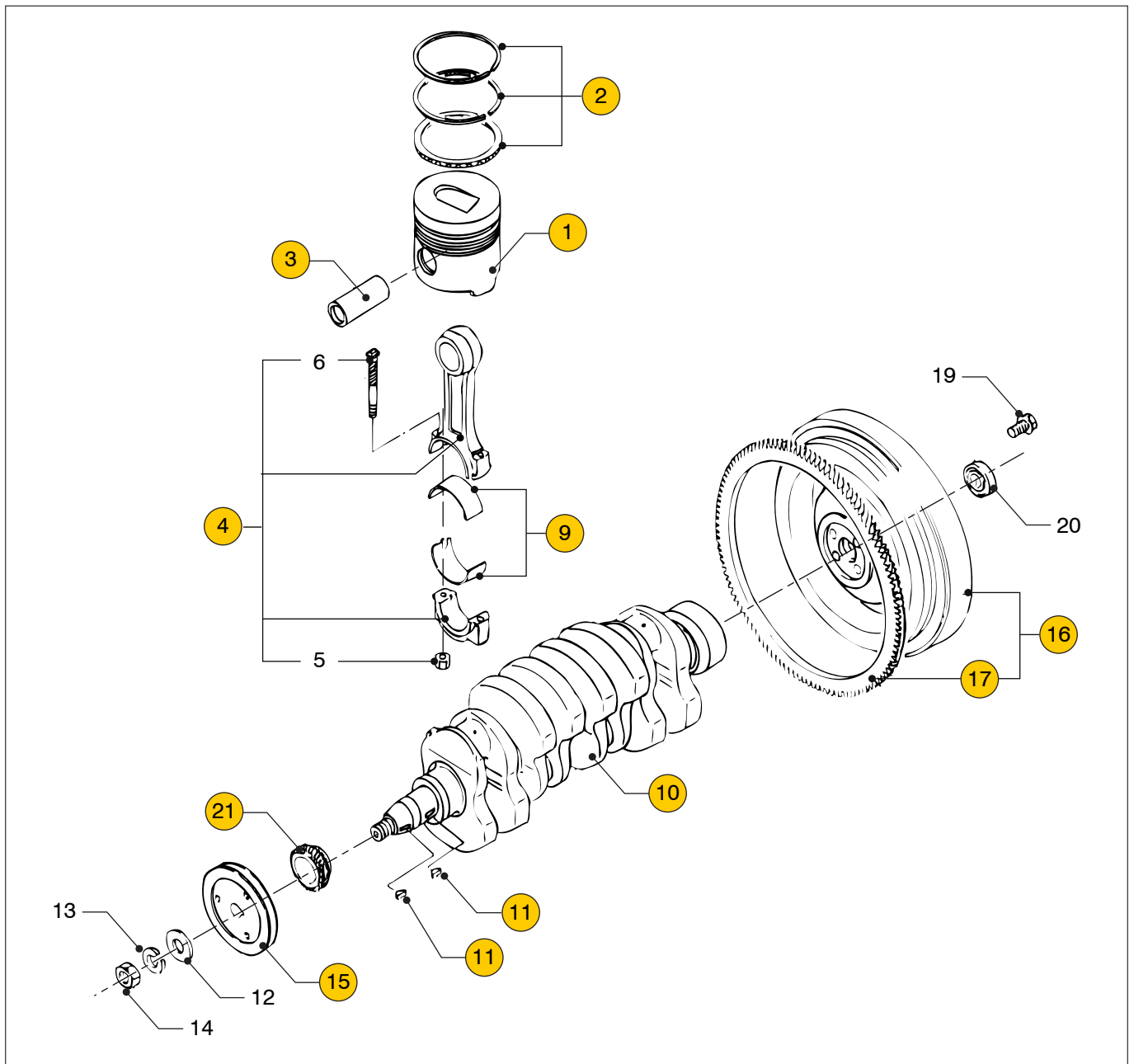
		M4.15 M4.35	M4.17 M4.45	Motorblok	Engine block
pos.	qty	part	benaming	description	
13	1	STM2511	Bus	Bush	
14	1	STM2508	Plug	Plug	
15	1	STM7751	Pen	Pin	
16	2	STM2492	Pen	Pin	
17	1	STM7752	As	Shaft	
18	1	STM7753	Kogel	Ball	
19	1	STM7754	As	Shaft	
20	4	STM7755	Afdichting	Seal	
21	1	STM7756	As	Shaft	
22	2	STM7757	Pen	Pin	
23	1	STM7758	Plug	Plug	
24	1	STM2537	Kap	Cap	



	M4.15 M4.35	M4.17 M4.45	Motorblok	Engine block
pos.	qty	part	benaming	description
①	1	STM2513	Plug	Plug
②	1	STM7760	Huis	Case
③	1	STM7761	Pakking	Gasket
④	1	STM7762	Afdichting	Seal
5	5	STM7763	Bout	Bolt
⑥	1	STM3389	Lagerset std.	Bearing kit std.
		STM7764	Lagerset 0,25	Bearing kit 0.25
		STM7765	Lagerset 0,50	Bearing kit 0.50
		STM7766	Lagerset 0,75	Bearing kit 0.75
⑦	1	STM7767	Achterplaat	Rear plate
10	6	STM7769	Bout + Ring	Bolt + Washer



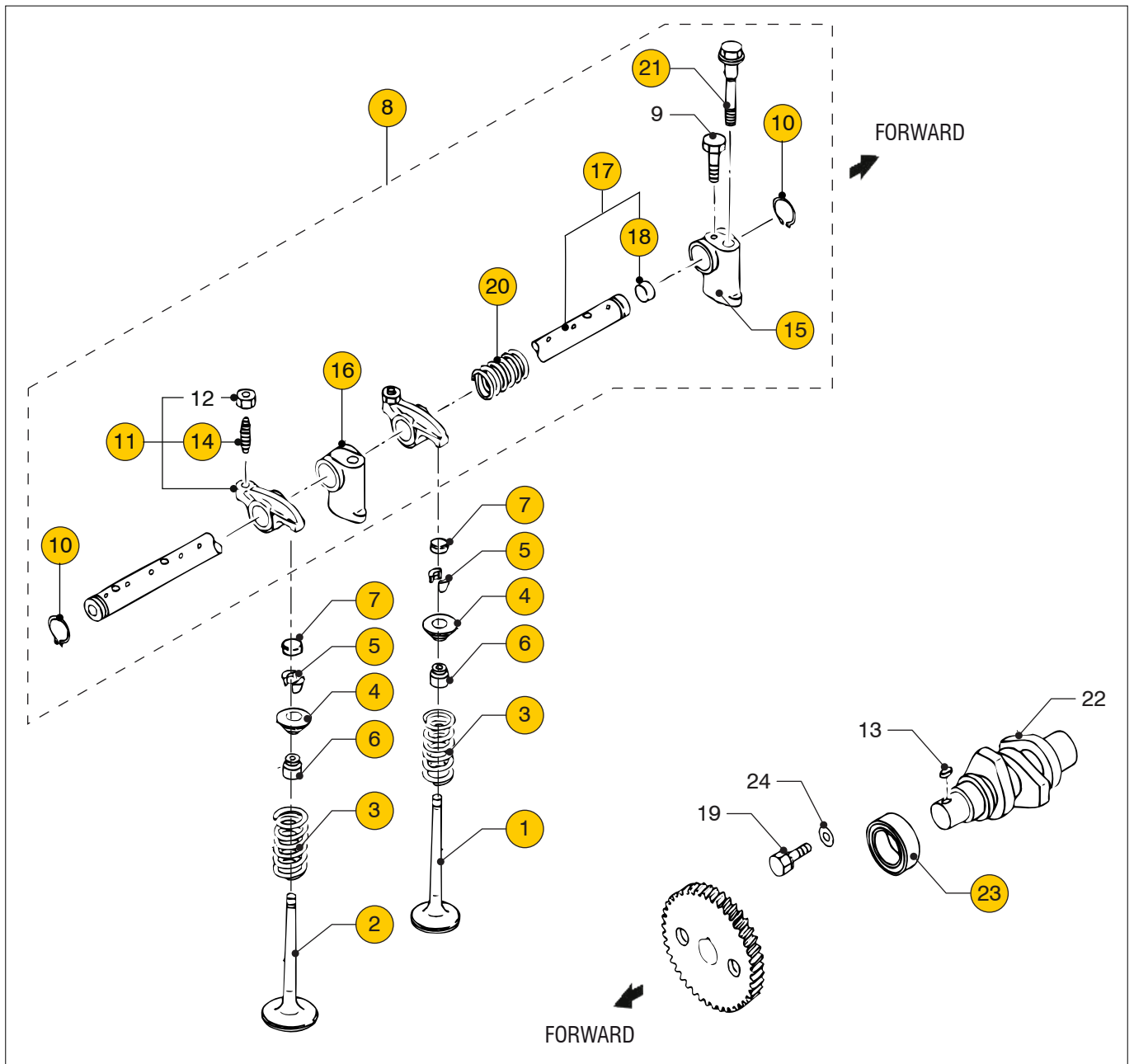
M4.15 M4.35		M4.17 M4.45	Krukas + zuiger	Crankshaft + piston
pos.	qty	part	benaming	description
1	4	STM7787	Zuiger std.	Piston std.
	4	STM7788	Zuiger 0,25	Piston 0.25
	4	STM7789	Zuiger 0,50	Piston 0.50
2	4	STM7790	Ringen set std.	Ring set std.
	4	STM7791	Ringen set 0,25	Ring set 0.25
	4	STM7792	Ringen set 0,50	Ring set 0.50
3	4	STM7793	Piston pen	Piston pin
4	4	STM7410	Drijfslag cpl. M4.15	Rod cpl. M4.15
	4	STM7794	Drijfslag cpl. M4.17	Rod cpl. M4.17
5	8	STM7795	Moer	Nut
6	8	STM7796	Bout	Bolt
9	4	STM7799	Lagerset std.	Bearing set std
	4	STM7800	Lagerset 0,25	Bearing set 0.25
	4	STM7801	Lagerset 0,50	Bearing set 0.50
	4	STM7802	Lagerset 0,75	Bearing set 0.75



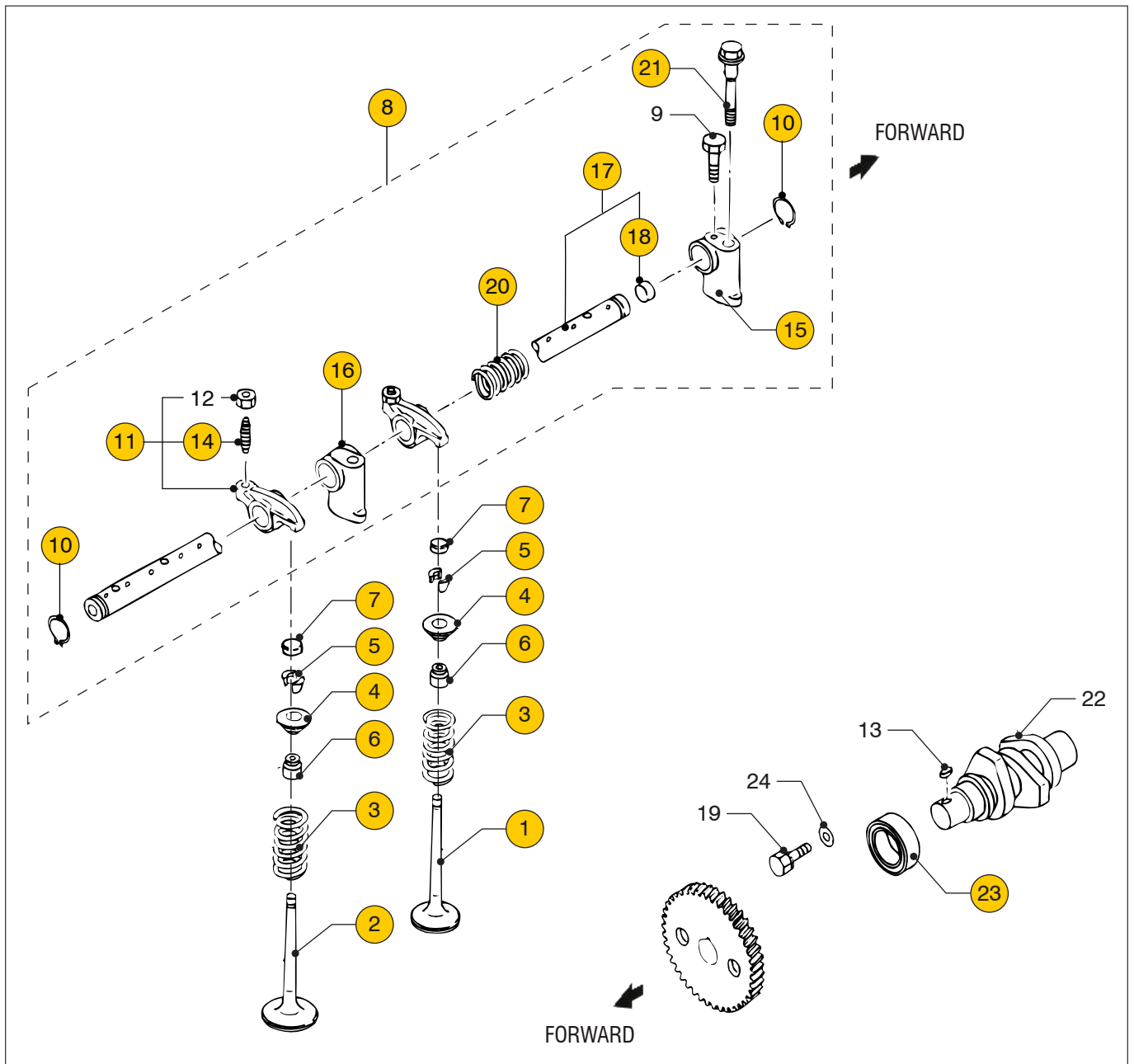
**M4.15 M4.17**  
**M4.35 M4.45**      **Krukas + zuiger**

**Crankshaft + piston**

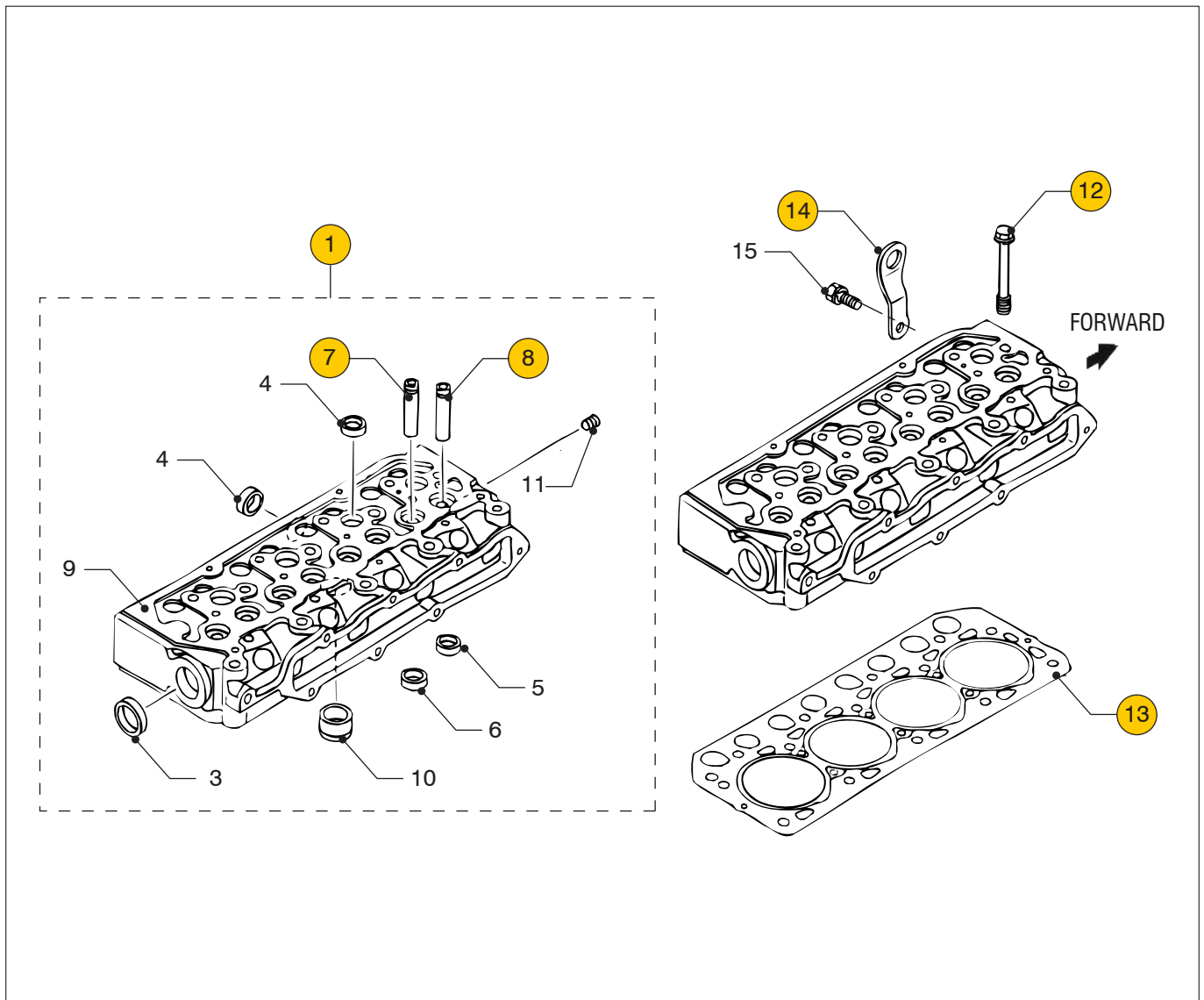
pos.	qty	part	benaming	description
10	1	STM7803	Krukas M4.17	Crankshaft M4.17
	1	STM7411	Krukas M4.15	Crankshaft M4.15
11	2	STM2569	Spie	Key
12	1	STM7804	Ring	Washer
13	1	STM7805	Ring	Washer
14	1	STM7806	Moer	Nut
15	1	STM7807	Snaarschijf	Pulley
16	1	STM7809	Vliegwiel + krans	Flywheel + gear ring
17	1	STM2573	Starterkrans	Gear ring
19	4	STM3448	Bout	Bolt
20	1	STM2574	Lager	Bearing
21	1	STM7812	Tandwiel	Gear



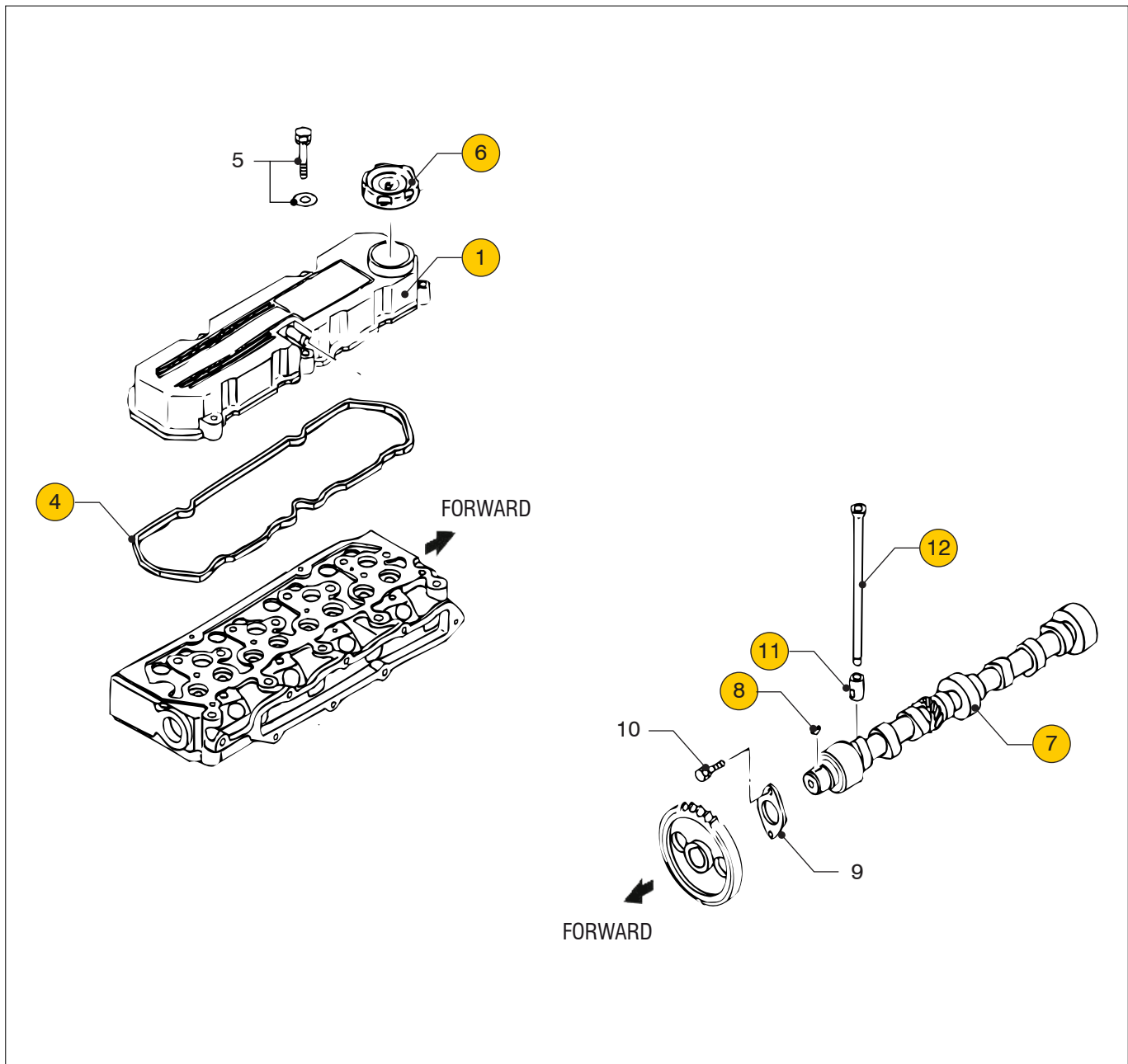
	M4.15	M4.17	Kleppen	Valves
	M4.35	M4.45		
pos.	qty	part	benaming	description
1	4	STM7712	Inlaatklep	Inlet valve
2	4	STM7713	Uitlaatklep	Exhaust valve
3	8	STM7714	Veer	Spring
4	8	STM7715	Veerschotel	Retainer valve spring
5	16	STM2588	Klepspie	Lock valve retainer
6	8	STM2589	Ring	Washer
7	8	STM7716	Kap	Cap
8	1	STM7717	Tuimelaaras, cpl.	Rockershaft, cpl.
9	1	STM7718	Bout	Bolt
10	2	STM2603	Borgveer	Ring snap
11	8	STM7719	Tuimelaar cpl.	Rocker cpl.
12	8	STM7720	Moer	Nut
13	1	STM7730	Spie	Key
14	8	STM7721	Stelbout	Bolt
15	1	STM7722	Steun	Bracket
16	3	STM7723	Steun	Bracket



	M4.15	M4.17	Kleppen	Valves
	M4.35	M4.45		
pos.	qty	part	benaming	description
17	1	STM7724	As	Shaft
18	2	STM7725	Kap	Cap
19	1	STM7731	Bout	Bolt
20	3	STM7727	Veer	Spring
21	4	STM7728	Bout	Bolt
22	1	STM7729	As (brandstofpomp)	Shaft (fuel inj. pump)
23	1	STM2583	Lager	Bearing
24	1	STM2580	Ring	Washer

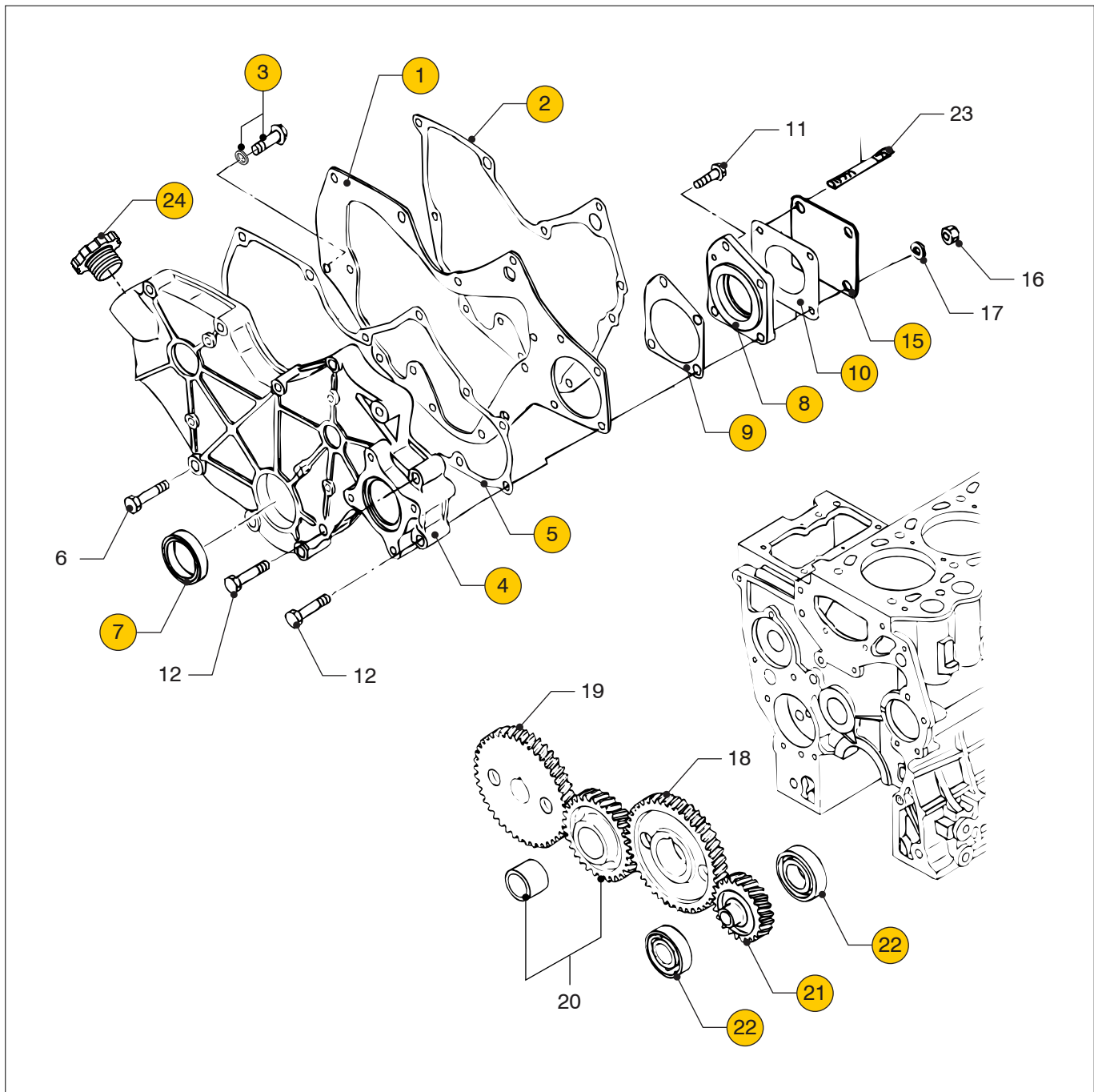


		M4.15 M4.35	M4.17 M4.45	Cilinderkop	Cylinder head
pos.	qty	part	benaming	description	
1	1	STM7412	Cilinderkop cpl. M4.15	Cylinder head cpl. M4.15	
1	1	STM7700	Cilinderkop cpl. M4.17 serienr.111591<-	Cylinder head cpl. M4.17 serial nr. 111591 <-	
1	1	STM9901	Cilinderkop cpl. M4.17 serienr.113342->	Cylinder head cpl. M4.17 serial nr. 113342->	
3	1	STM7702	Kap	Cap	
4	7	STM7414	Kap M4.17	Cap M4.17	
	7	STM1108	Kap M4.15	Cap M4.15	
5	4	STM7959	Inlaatklep zitting	Inlet seal valve	
6	4	STM7960	Uitlaatklep zitting	Exhaust seal valve	
7	4	STM7704	Klep geleider uitlaat	Guide exhaust valve	
8	4	STM7705	Klep geleider inlaat	Guide inlet valve	
9	1	STM7961	Cilinderkop	Cylinder head	
10	4	STM7415	Bus M4.15	Bush M4.15	
	4	STM7706	Bus M4.17 serienr.111591<-	Bush M4.17 serial nr. 111591 <-	
	4	STM9986	Bus M4.17 serienr.113342->	Bush M4.17 serial nr. 113342->	
11	1	STM7707	Plug	Plug	
12	14	STM7708	Bout	Bolt	
13	1	STM7709	Pakking	Gasket	
14	1	STM7710	Hijsoog	Lifting eye	
15	1	STM7711	Bout	Bolt	

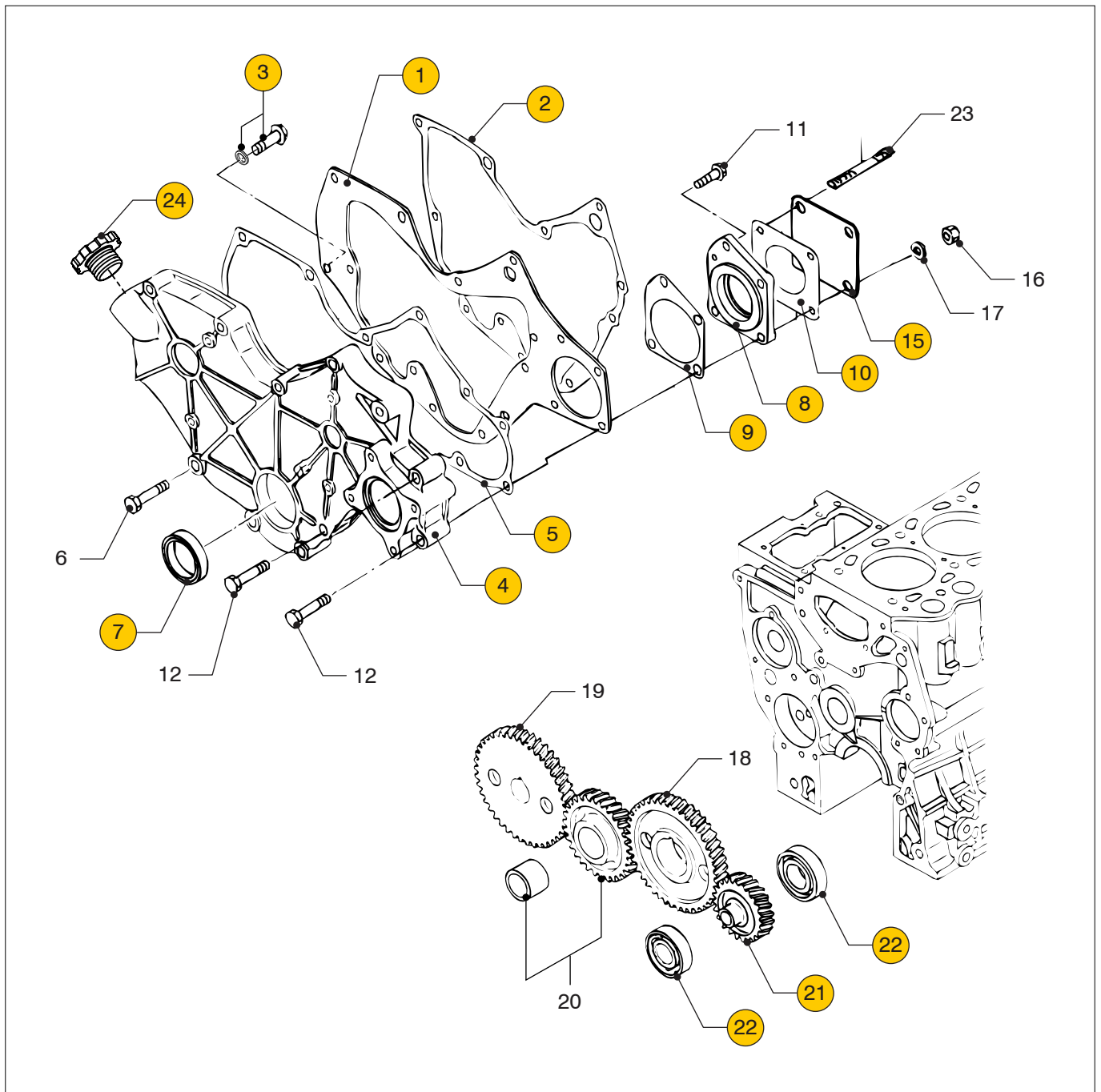


M4.15 M4.35		M4.17 M4.45		Kleppendeksel + nokkenas	Rocker cover + camshaft
pos.	qty	part	benaming	description	
1	1	STM7732	Kleppendeksel	Rocker cover	
4	1	STM7734	Pakking	Gasket	
5	5	STM7736	Bout + Ring	Bolt + Washer	
6	1	STM2532	Dop	Cap	
7	1	STM7737	Nokkenas	Cam shaft	
8	1	STM2579	Spie	Key	
9	1	STM7738	Plaat	Plate	
10	2	STM7739	Bout	Bolt	
11	8	STM2591	Klepstoter	Tappet	
12	4	STM7740	Stoterstang	Rod	

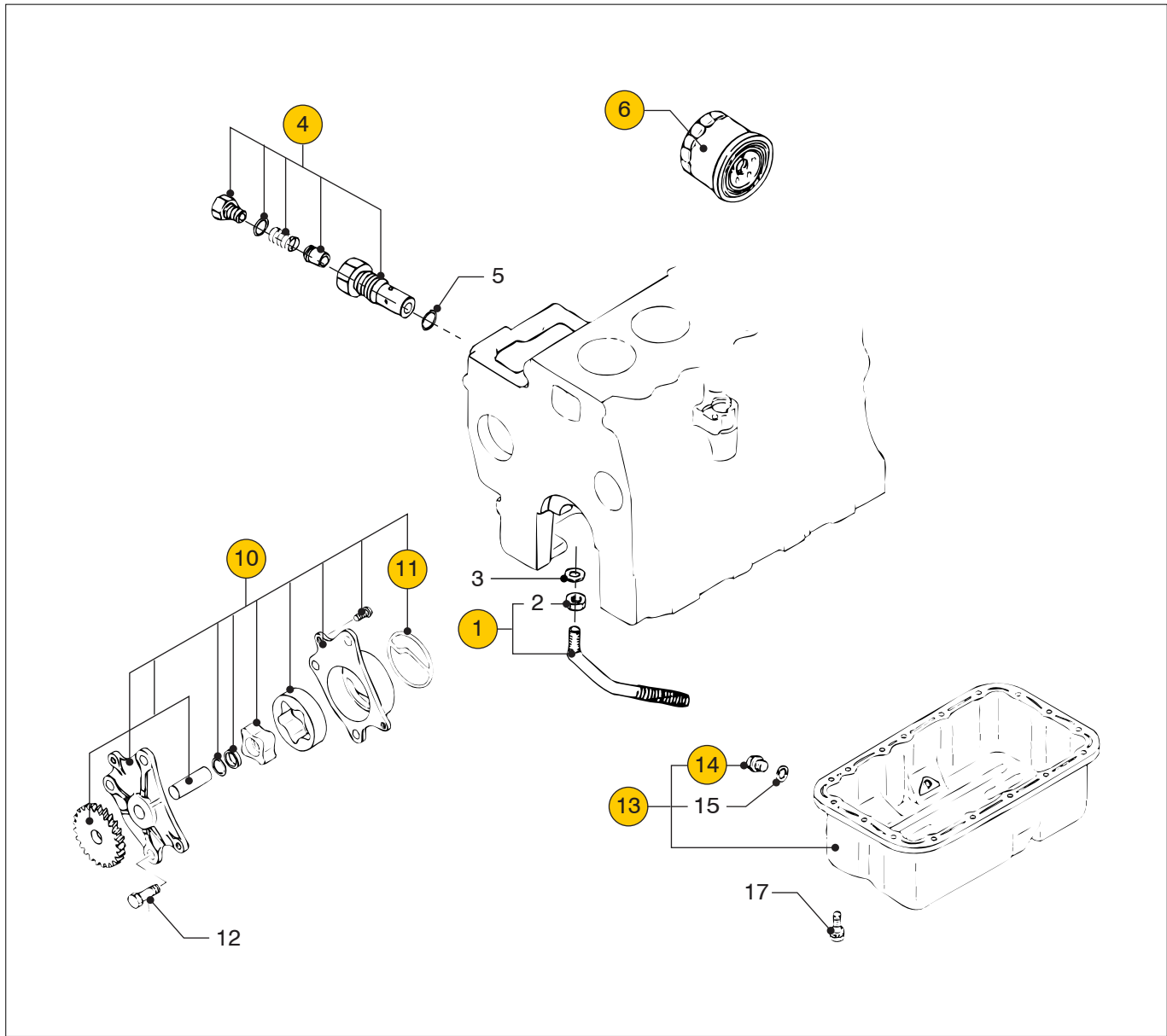




M4.15		M4.17		PTO		PTO	
M4.35		M4.45					
pos.	qty	part	benaming	description			
1	1	STM7770	Plaat	Plate			
2	1	STM7771	Pakking	Gasket			
3	5	STM7772	Bout + Ring	Bolt + Washer			
4	1	STM7773	Deksel	Cover			
5	2	STM7774	Pakking	Gasket			
6	8	STM2528	Bout	Bolt			
7	1	STM2527	Keerring	Seal			
8	1	STM7776	Huis	Case			
9	1	STM7777	Pakking	Gasket			
10	2	STM2526	Pakking	Gasket			
11	1	STM7778	Bout	Bolt			
12	1	STM7779	Bout	Bolt			
15	1	STM2525	Deksel	Cover			
16	4	STM7940	Moer	Nut			



		M4.15 M4.35	M4.17 M4.45	PTO	PTO
pos.	qty	part	benaming	description	
	17	4	STM7941	Ring	Washer
	18	1	STM7814	Tandwiel	Gear wheel
	19	1	STM7815	Tandwiel	Gear wheel
	1	STM9998	Tandwiel M4.17 serienr. 113342 ->	Gear wheel M4.17 serial nr. 113342 ->	
	20	1	STM7816	Tandwiel cpl.	Gear wheel cpl.
	21	1	STM7817	Tandwiel	Gear wheel
	22	2	STM7818	Lager	Bearing
	23	2	STM7780	Tapeind	Stud
	24	1	STM3912	Oliedop	Oil cap



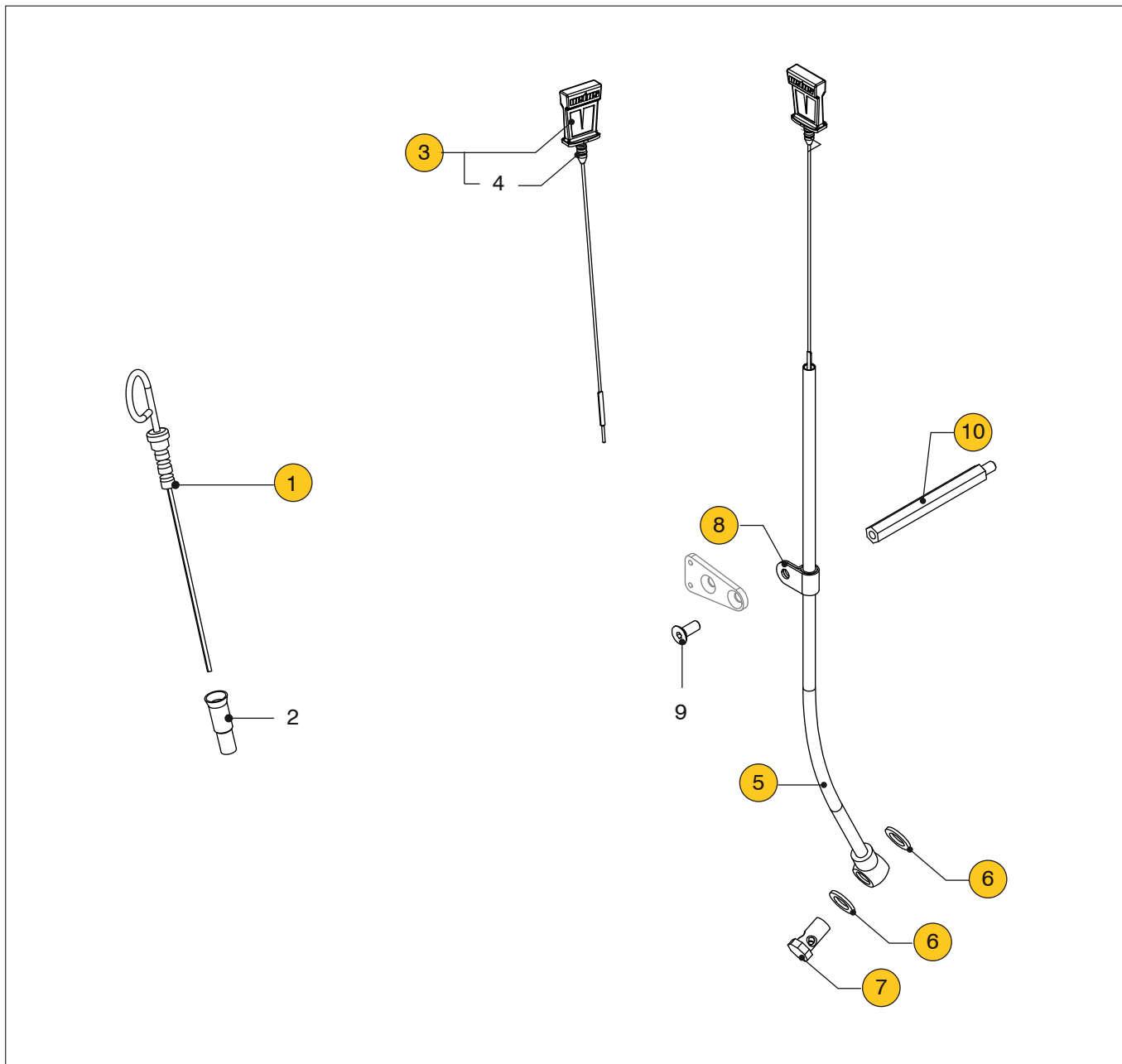
M4.15  
M4.35

M4.17  
M4.45

**Carterpan + oliepomp**

**Oil pan + oil pump**

pos.	qty	part	benaming	description
1	1	STM7829	Pijp cpl.	Pipe cpl.
2	1	STM7831	Moer	Nut
3	1	STM2672	Pakking	Gasket
4	1	STM7962	Klep cpl.	Valve cpl.
5	1	STM7832	Afdichtring	Seal washer
6	1	STM0051	Oliefilter	Oil filter
10	1	STM7826	Oliepomp cpl.	Oil pump cpl.
11	1	STM7827	Pakking	Gasket
12	3	STM7828	Bout	Bolt
13	1	STM7782	Carterpan cpl.	Oil pan cpl.
14	1	STM7783	Plug	Plug
15	1	STM7784	Afdichtring	Seal washer
17	17	STM7786	Bout	Bolt



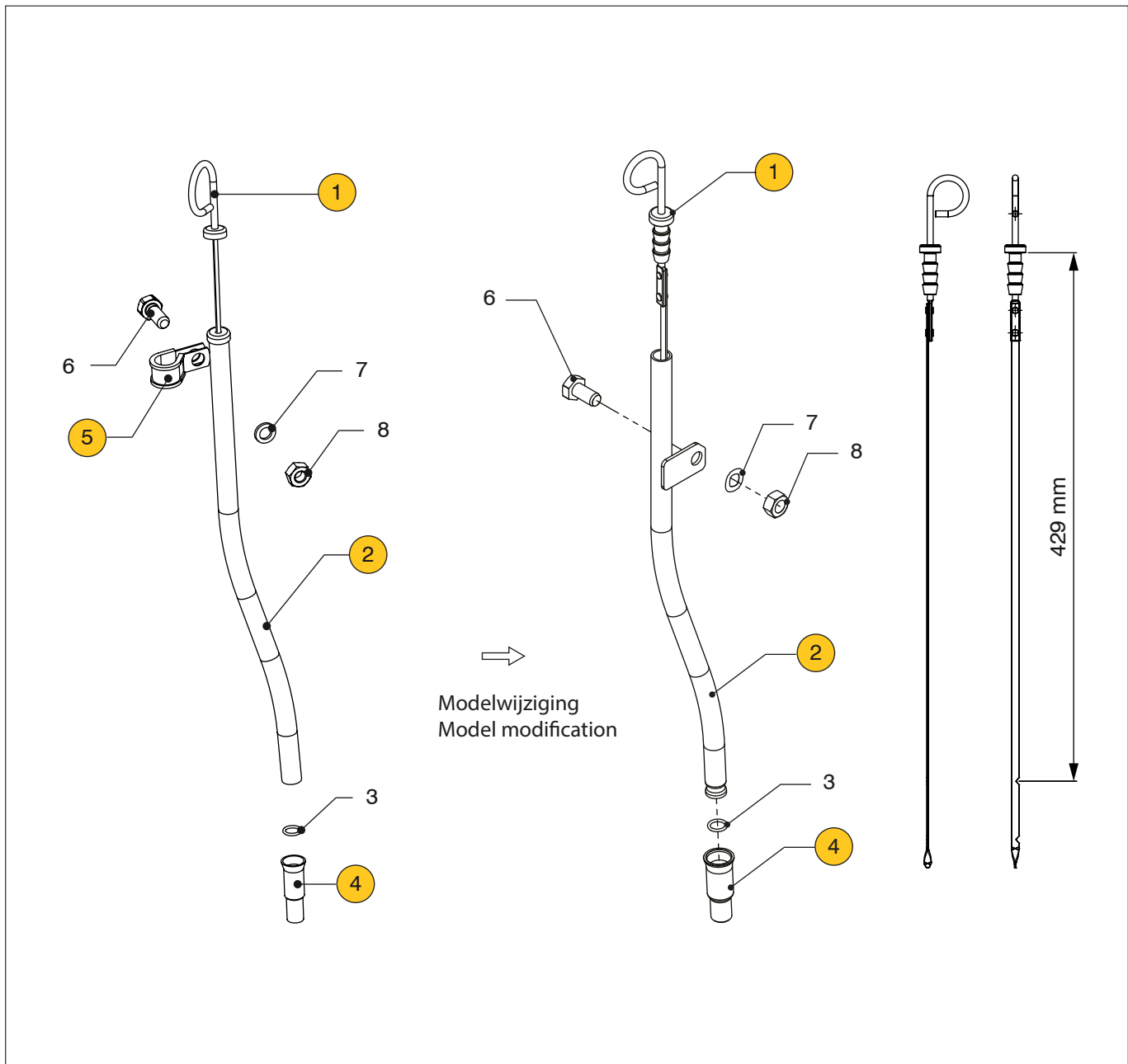
M4.15

M4.17

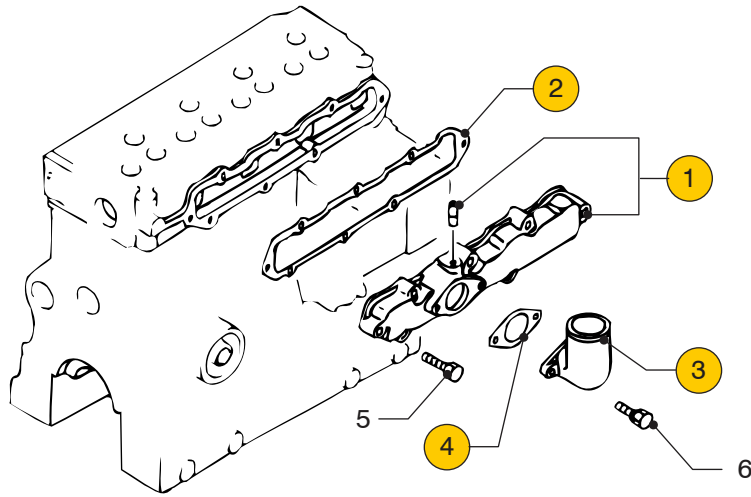
Oliepeilstok

Oil dipstick

pos.	qty	part	benaming	description
1	1	STM7835	Peilstok	Dipstick
2	1	STM7836	Pijp	Pipe
3	1	STM7442	Oliepeilstok	Oil dipstick
4	2	STM7435	O-ring	O-ring
5	1	STM7484	Pijp oliepeilstok	Pipe oil dipstick
6	2	STM1062	Afdichtring	Seal washer
7	1	STM7443	Banjo bout	Banjo bolt
8	1	STM6305	Klem	Clamp
9	1	STM7458	Schroef M8x20	Screw M8x20
10	1	STM7472	Afstandhouder L=122	Spacer L=122



M4.35		M4.45		Oliefpeilstok	Oil dipstick
pos.	qty	part	benaming	description	
1	1	08-01370	Oliefpeilstok	Oil dipstick	
2	1	08-01331	Pijp oliefpeilstok	Pipe oil dipstick	
3	1	08-01373	O-ring	O-ring	
4	1	08-01374	Bus	Bush	
5	1	STM3066	Klem	Clamp	
6	1	STM1610	Bout M8x25	Bolt M8x25	
7	1	STM1019	Gegolfde veerring M8	Wave spring washer M8	
8	1	STM2005	Moer M8	Nut M8	



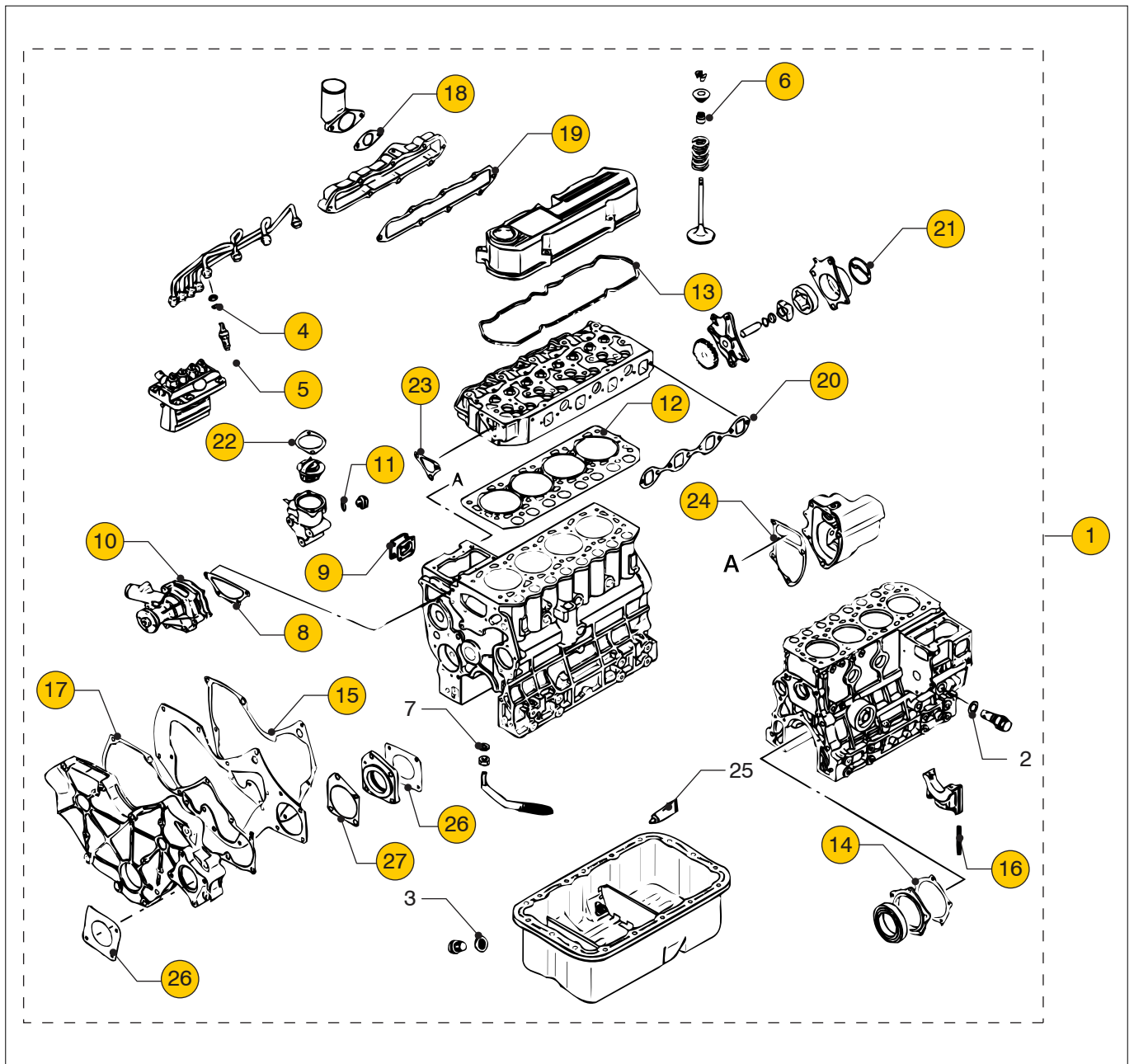
**M4.15**

**M4.17**

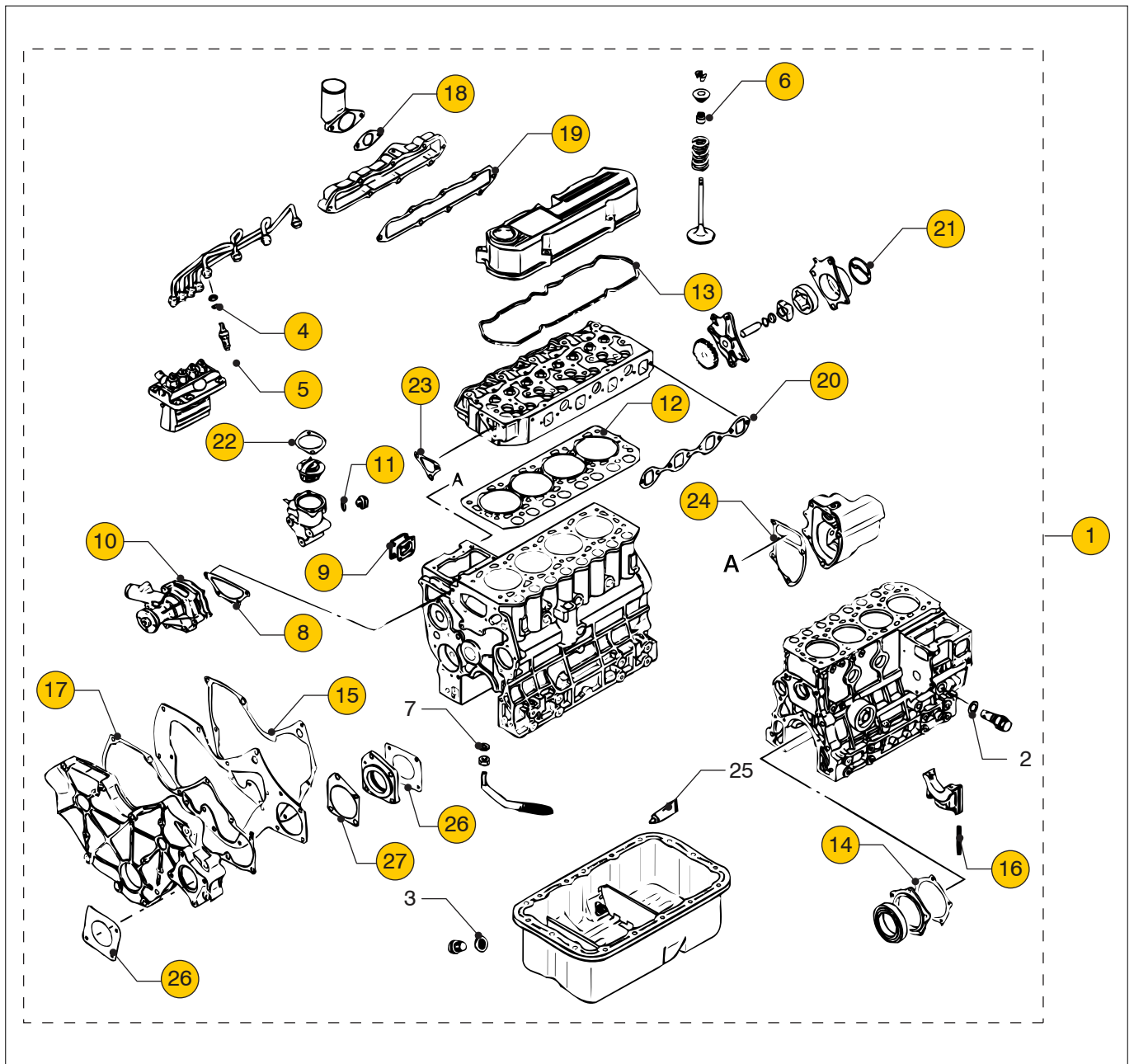
**Luchtinlaat**

**Airintake**

pos.	qty	part	benaming	description
1	1	STM7819	Deksel cpl.	Cover cpl.
2	1	STM7820	Pakking	Gasket
3	1	STM7821	Pijp	Pipe
4	1	STM7822	Pakking	Gasket
5	8	STM7823	Bout	Bolt
6	2	STM7824	Bout	Bolt



	M4.15 M4.35	M4.17 M4.45	Revisie pakkingset	Overhaul gasket kit
pos.	qty	part	benaming	description
1	1	STM7965	Pakkingset M4.15 / M4.17	Gasket kit M4.15 / M4.17
2	1	STM7963	Pakking	Gasket
3	1	STM7784	Pakking	Gasket
4	4	STM1303	Pakking	Gasket
5	4	STM1299	Pakking	Gasket
6	8	STM2589	Afdichting	Seal
7	1	STM2672	Pakking	Gasket
8	1	STM2678	Pakking	Gasket
9	1	STM2734	Pakking	Gasket
10	1	STM2682	Pakking	Gasket
11	3	STM7953	Pakking	Gasket
12	1	STM7709	Pakking	Gasket
13	1	STM7734	Pakking	Gasket
14	1	STM7761	Pakking	Gasket
15	1	STM7771	Pakking	Gasket
16	4	STM7755	Afdichting	Seal



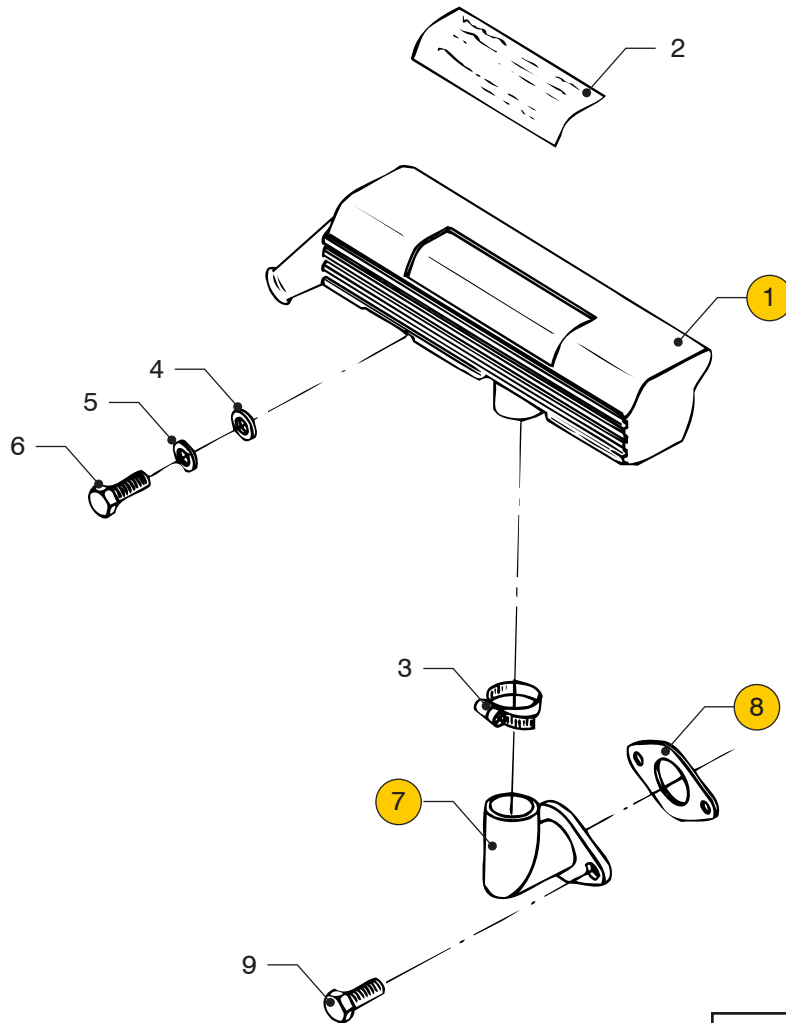
M4.15 M4.17  
M4.35 M4.45

Revisie pakkingset

Overhaul gasket kit

pos.	qty	part	benaming	description
17	1	STM7774	Pakking	Gasket
18	1	STM7822	Pakking	Gasket
19	1	STM7820	Pakking	Gasket
20	1	STM7825	Pakking	Gasket
21	1	STM7821	Pakking	Gasket
22	1	STM7855	Pakking	Gasket
23	1	STM7856	Pakking	Gasket
24	1	STM7918	Pakking	Gasket
25	1	STM7964	Pakking vloeibaar	Gasket liquid
26	2	STM2526	Pakking	Gasket
27	1	STM7777	Pakking	Gasket



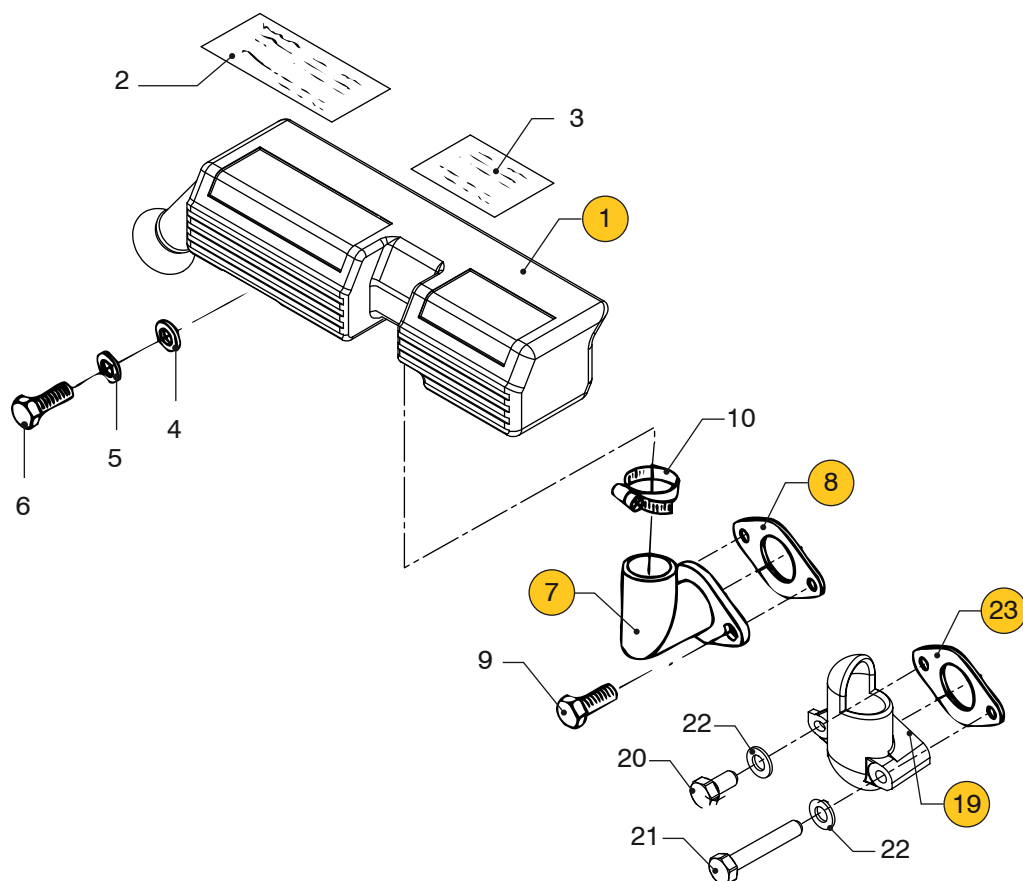


06-2009 <-

**M4.15 M4.17 Luchtinlaatkast 06-2009 <-**

**Air intake housing 06-2009 <-**

pos.	qty	part	benaming	description
1	1	STM9474	Luchtinlaatkast	Air intake housing
2	1	STM7589	Sticker M4.15	Sticker M4.15
	1	STM7574	Sticker M4.17	Sticker M4.17
3	1	STM3012	Slangklem 38-50	Hoseclamp 38-50
4	1	STM3749	Ring M8	Washe M8
5	1	STM1056	Veerring M8	Spring washer M8
6	1	STM1651	Bout M8x1,25x35	Nut M8x1.25x35
7	1	STM7821	Luchtinlaatbocht	Air intake elbow
8	1	STM7822	Pakking	Gasket
9	2	STM7824	Bout	Bolt

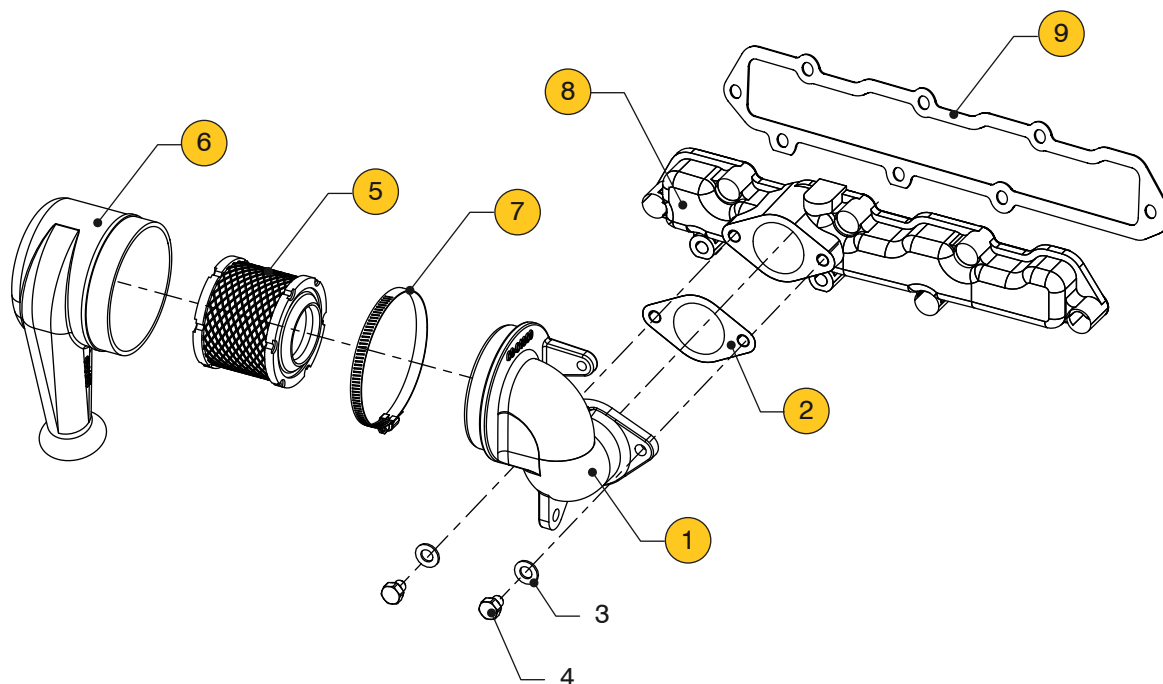


06-2009 ->

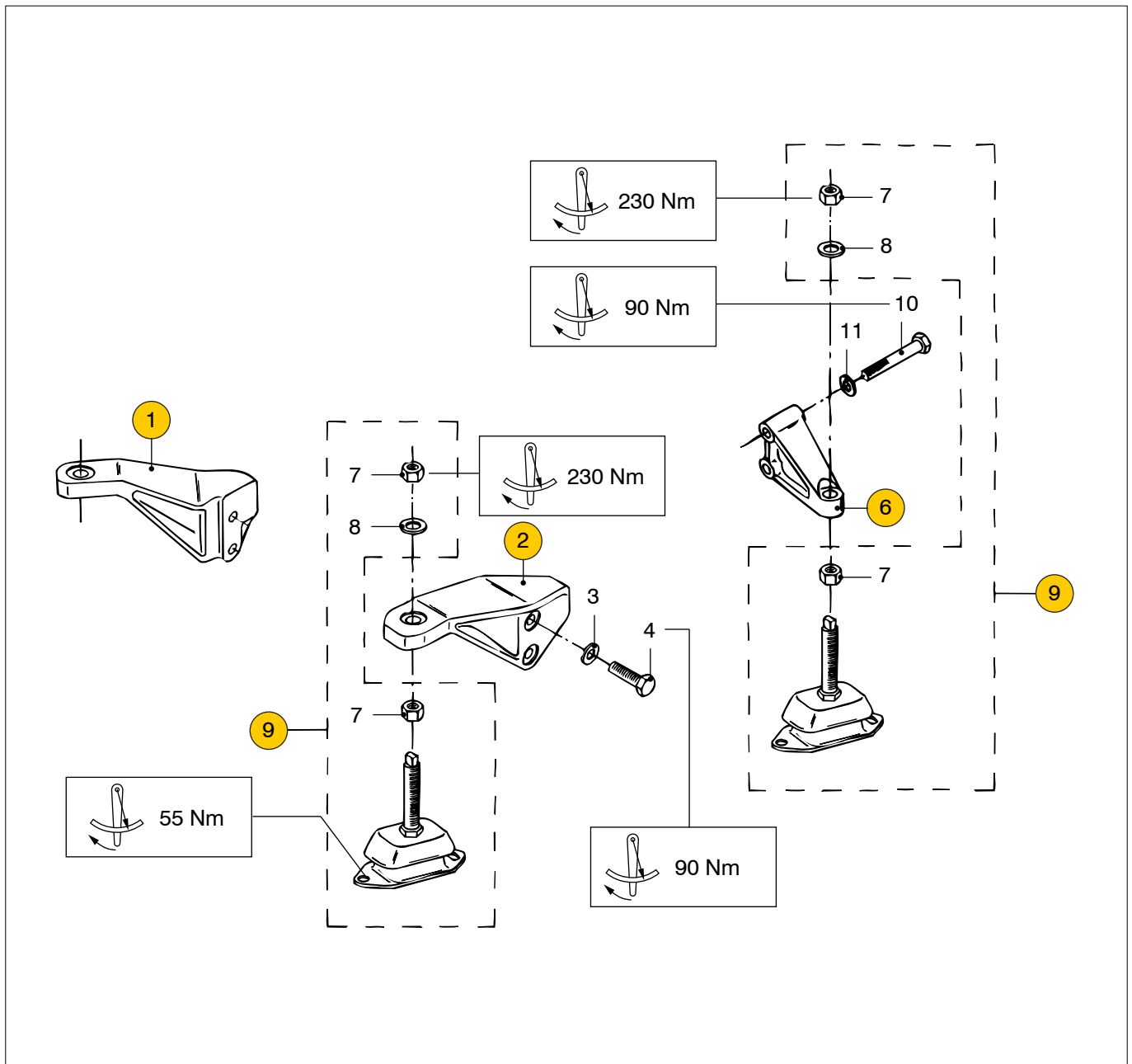
**M4.15 M4.17 Luchtinlaatkast 06-2009 ->**

**Air intake housing 06-2009 ->**

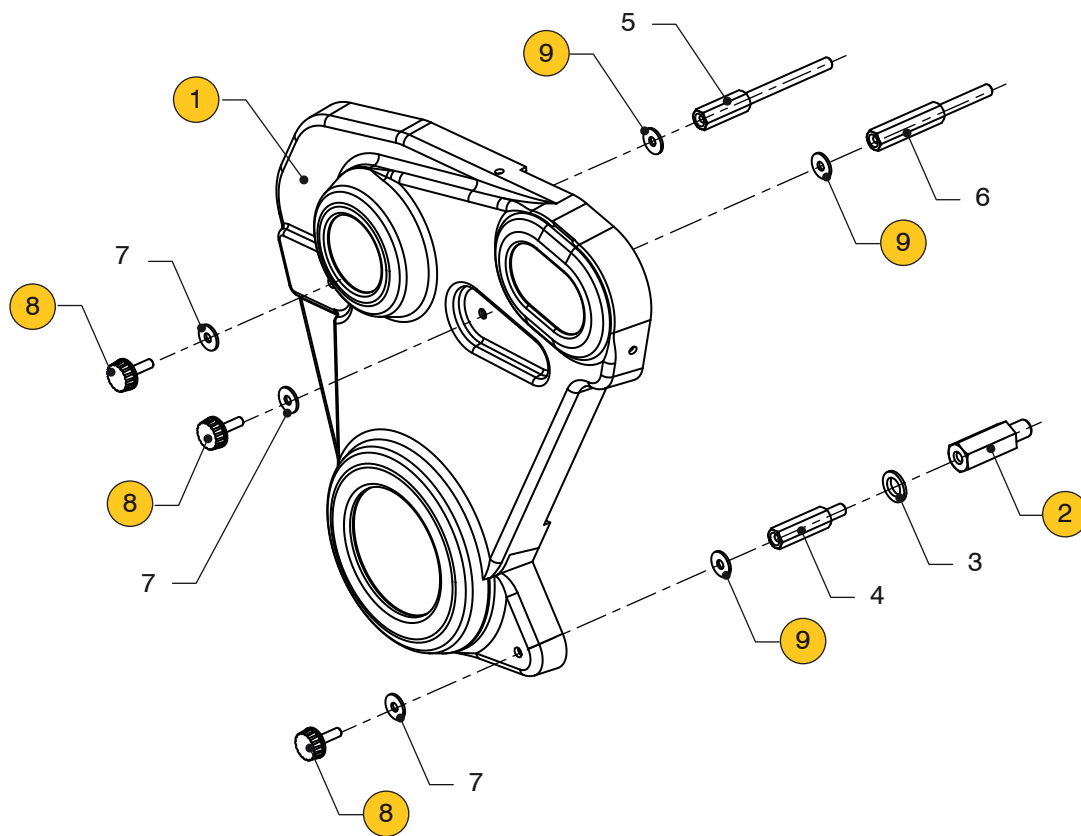
pos.	qty	part	benaming	description
1	1	STM9474	Luchtinlaatkast 03-2009 ->	Air intake housing 03-2009 ->
2	1	STM9476	Sticker technische gegevens	Sticker technical data
3	1	STM9896	Sticker M4.15	Sticker M4.15
	1	STM9897	Sticker M4.17	Sticker M4.17
4	1	STM3749	Ring M8	Washer M8
5	1	STM1056	Veerring M8	Spring washer M8
6	1	STM1651	Bout M8x1,25x35	Nut M8x1.25x35
7	1	STM7821	Luchtinlaatbocht M4.15	Air intake elbow M4.15
			Luchtinlaatbocht M4.17 06-2012 <-	Air intake elbow M4.17 06-2012 <-
8	1	STM7822	Pakking	Gasket
9	2	STM7824	Bout	Bolt
10	1	STM3012	Slangklem 38-50	Hoseclamp 38-50
19	1	08-01181	Luchtinlaatbocht M4.17 06-2012 ->	Air intake elbow M4.17 06-2012 ->
20	1	STM3355	Bout M8x20	Bolt M8x20
21	1	STM1052	Bout M8x65	Bolt M8x65
22	2	STM1019	Gegolfde veerring M8	Wave spring washer M8
23	1	08-01237	Pakking	Gasket



		Luchtfilter		Air cleaner	
	M4.35	M4.45			
pos.	qty	part	benaming		description
1	1	08-01309	Luchtinlaat bocht		Air intake elbow
2	1	08-01237	Pakking		Gasket
3	2	STM1019	Gegolfde veerring M8		Wave spring washer M8
4	2	STM3355	Bout M8x20		Bolt M8x20
5	1	08-01308	Luchtfilter element		Air cleaner element
6	1	08-01267	Luchtfilter behuizing		Air cleaner case
7	1	HCS75	Slangklem 70-90		Hose clamp 70-90
8	1	08-01409	Deksel cpl.		Cover cpl.
9	1	STM7820	Pakking		Gasket



M4.15 M4.35		M4.17 M4.45		Motorsteunen	Engine supports
pos.	qty	part	benaming	description	
1	1	STM7570	Motorsteun SB	Engine support SB	
2	1	STM7571	Motorsteun BB	Engine support PS	
3	8	STM4056	Gegolfde veerring M12	Wave spring washer M12	
4	4	STM4060	Bout M12x1,25x35	Bolt M12x1.25x35	
5	2	STM4010	Moer M16x1,5	Nut M16x1.5	
6	2	STM7584	Motorsteun SB-BB	Engine support SB-PS	
7	4	STM7595	Bout M12x1,75x65	Bolt M12x1.75x65	
8	1	STM4011	Ring M16	Washer M16	
9	4	KSTEUN75	Trillingdemper	Engine mount	
10	4	STM7595	Bout M12x1,75x65	Bolt M12x1.75x65	
11	4	STM4056	Gegolfde veerring M12	Waved spring washer M12	

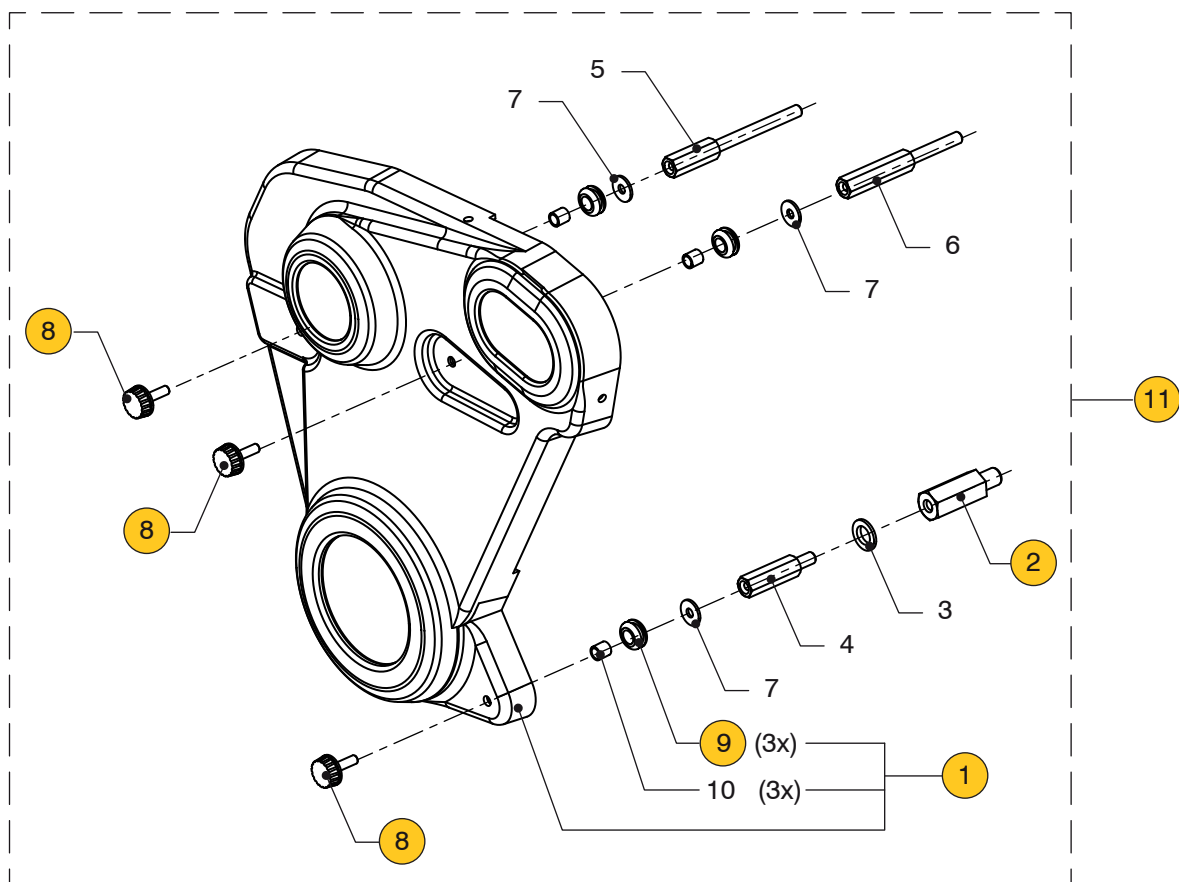


**Afschermkap 2016-04 <-**

**Protection cover 2016-04 <-**

**M4.35 M4.45**

pos.	qty	part	benaming	description
1	1	08-01329	Afschermkap	Protection cover
2	1	STM9860	Afstandsstuk	Stud
3	1	CT30059	Ring d=4	Washer d=4
4	1	08-01327	Afstandsstuk	Stud
5	1	08-01328	Afstandsstuk	Stud (10 Nm)
6	1	08-01325	Afstandsstuk	Stud (10 Nm)
7	3	STM8726	Ring M6 3D	Washer M6 3D
8	3	DM10019	Draaiknop	Turning knob
9	3	08-01292	Anti verliesring	Anti-loss ring

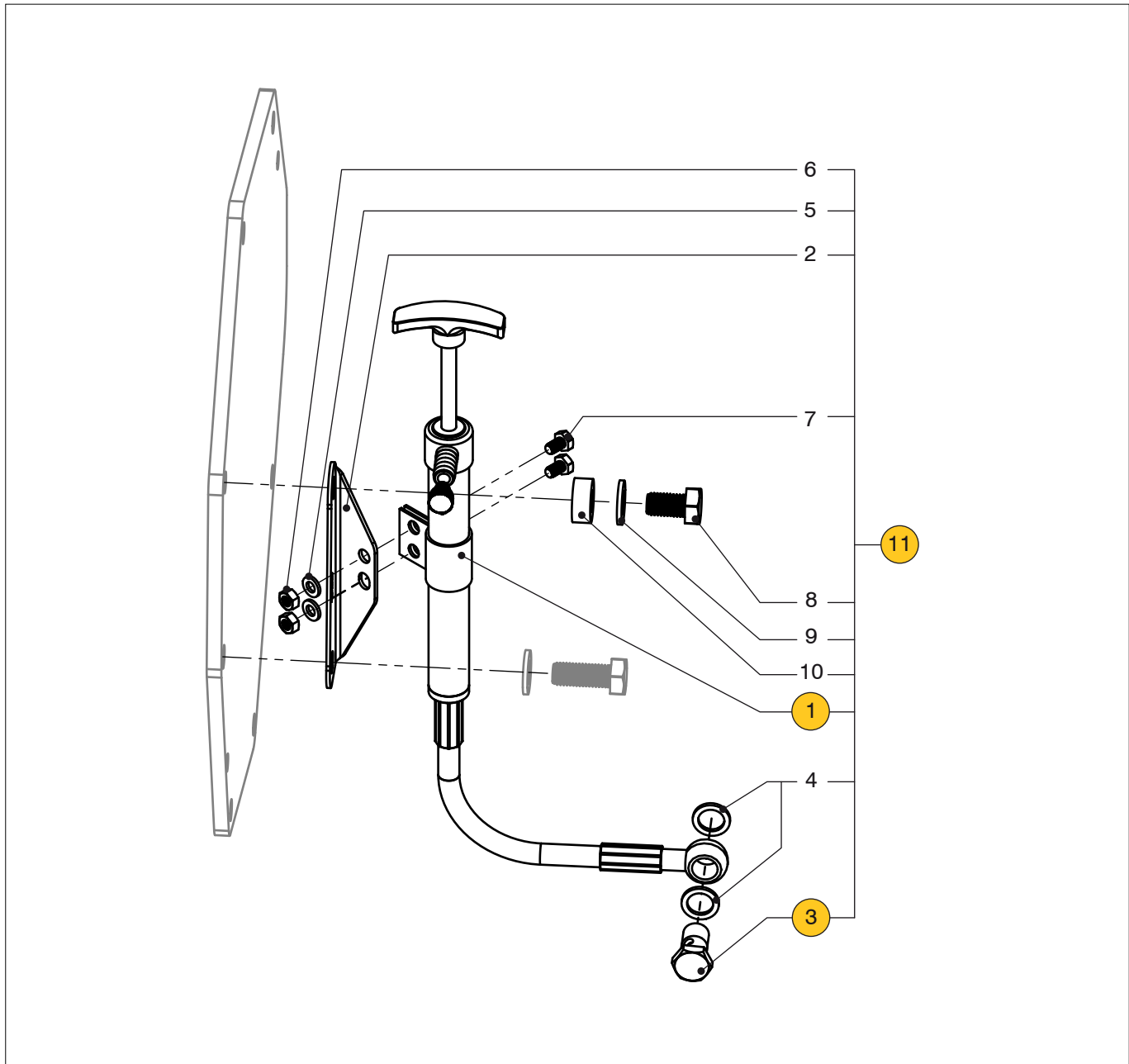


**Afschermkap 2016-04 ->**

**Protection cover 2016-04 ->**

**M4.35 M4.45**

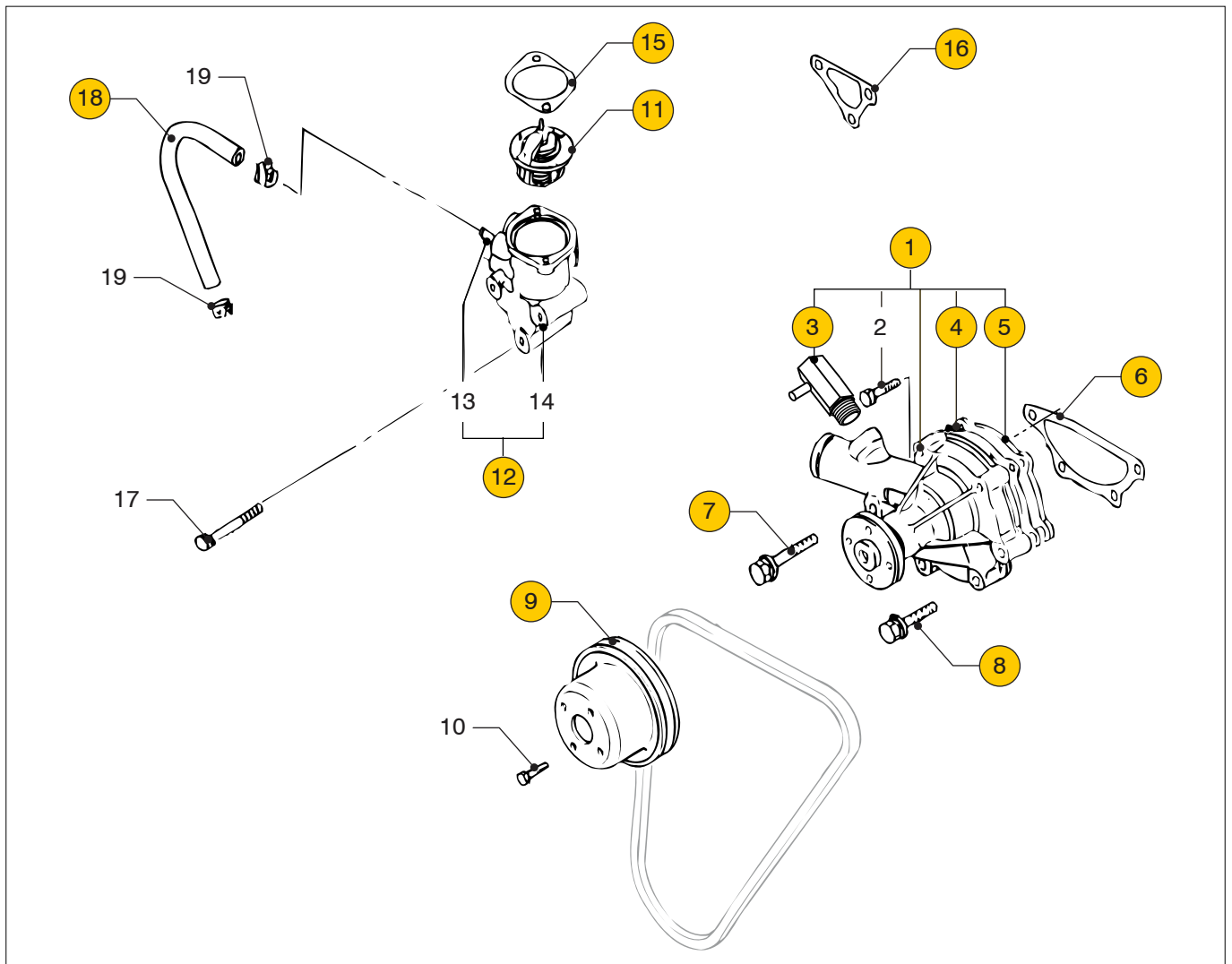
pos.	qty	part	benaming	description
1	1	08-01329	Afschermkap	Protection cover
2	1	STM9860	Afstandsstuk	Stud
3	1	CT30059	Ring d=4	Washer d=4
4	1	08-01327	Afstandsstuk	Stud
5	1	08-01328	Afstandsstuk	Stud (10 Nm)
6	1	08-01325	Afstandsstuk	Stud (10 Nm)
7	3	STM8726	Ring M6 3D	Washer M6 3D
8	3	DM10019	Draaiknop	Turning knob
9	3	08-01495	Rubber doorvoer	Rubber grommet
10	3	08-01496	Bus	Bush
11	1	VBELTCOVERM4	Set afschermkap compl. M4	Set protection cover cpl. M4



**Oliefaftappomp**

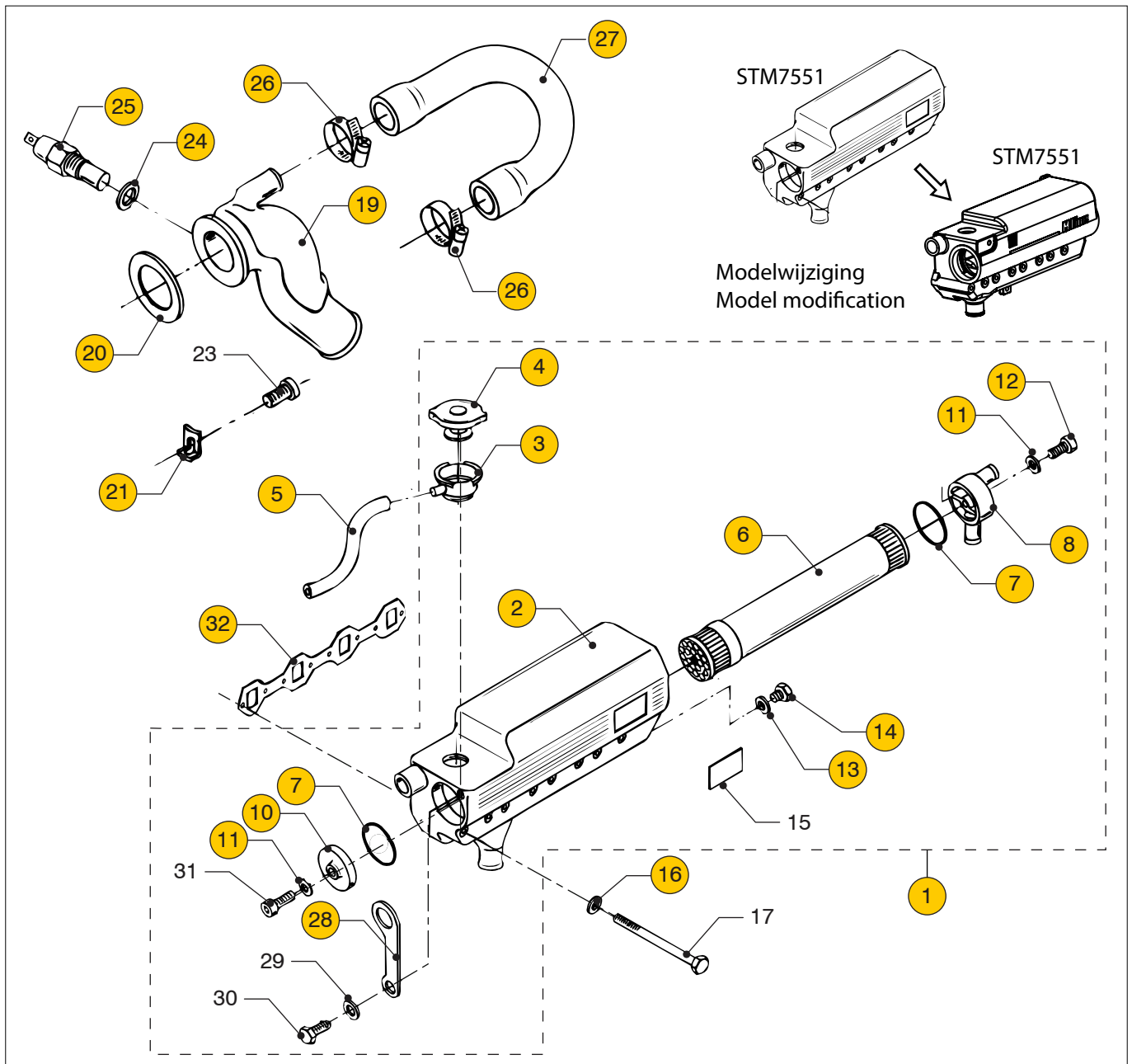
**Oil drain pump**

M4.35		M4.45			
pos.	qty	part	benaming	description	
1	1	15-2624	Pomp + slang met banjo aansluiting	Pump compl. with hose	
2	1	15-2520	Steun	Support	
3	1	STM7443	Banjo-bout M14	Banjo bolt M14	
4	2	STM1062	Afdichtring M14	Seal washer M14	
5	2	STM1019	Veerring M8	Spring washer M8	
6	2	STM2005	Moer M8	Nut M8	
7	2	STM4055	Bout M8 x 16	Bolt M8 x 16	
8	1	15-2978	Bout M12 x 1,25 x 20	Bolt M12 x 1,25 x 20	
9	1	STM4003	Veerring M12	Spring washer M12	
10	1	15-2976	Vulbus M12	Spacer M12	
11	1	15-2992	Set compleet	Kit cpl.	

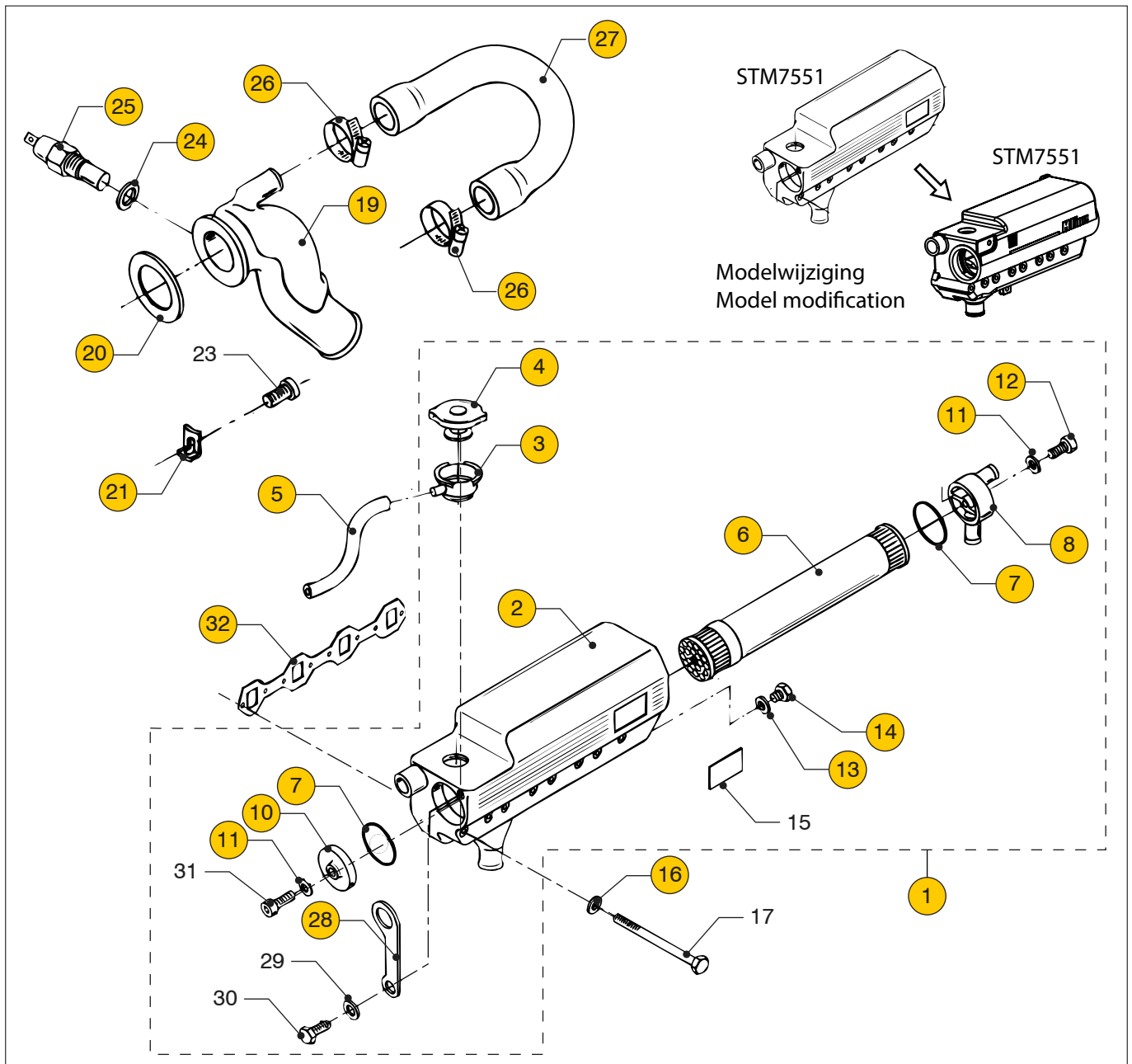


		M4.15 M4.35	M4.17 M4.45	Circulatiepomp	Circulation pump
pos.	qty	part		benaming	description
1	1	STM7843		Circulatiepomp cpl.	Circulation pump cpl.
2	2	STM7844		Bout	Bolt
3	1	STM7845		Nippel	Nipple
	1	SLP3/815		Slangpilaar (tbv extra dynamo 06-2009 ->)	Hose pillar (for extra alternator 06-2009 ->)
4	1	STM2682		Pakking	Gasket
5	1	STM2683		Plaat	Plate
6	1	STM2678		Pakking	Gasket
7	3	STM7847		Bout	Bolt
8	1	STM7848		Bout	Bolt
9	1	STM7849		Pulley	Pulley
10	4	STM7850		Bout	Bolt
11	1	STM7654		Thermostaat 76,5°C	Thermostat 76,5°C
12	1	STM7852		Thermostaathuis cpl.	Thermostat housing cpl.
13	1	STM7853		Pijp	Pipe
14	1	STM7854		Thermostaathuis	Thermostat housing
15	1	STM7855		Pakking	Gasket
16	1	STM7856		Pakking	Gasket
17	3	STM7857		Bout	Bolt
18	1	STM7858		Slang	Hose
	1	STM9440		Slang voor korte nippel 06-2009 ->	Hose for short nipple 06-2009 ->
19	2	STM7860		Klem	Clamp

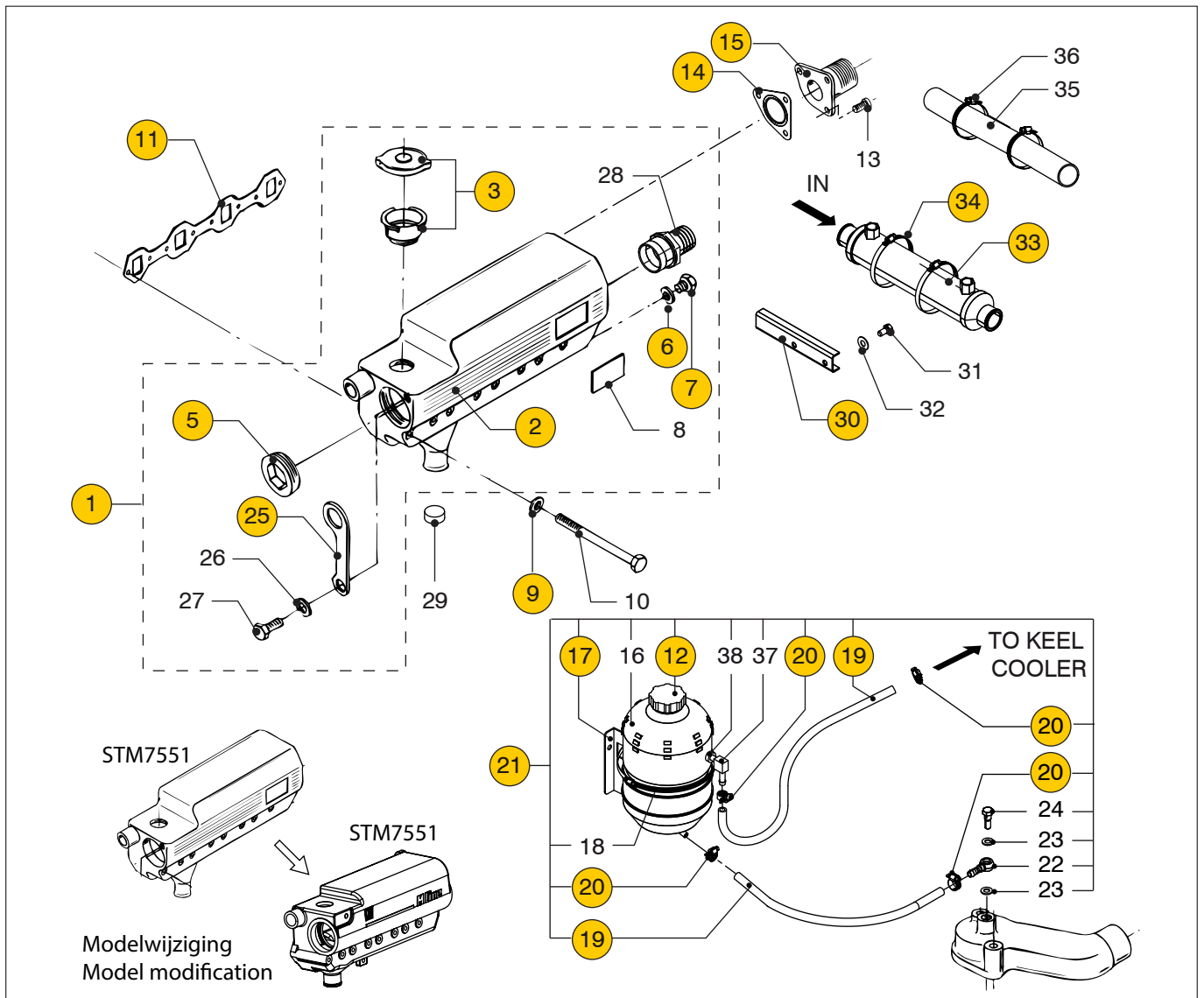




	M4.15 M4.35	M4.17 M4.45	Warmtewisselaar unit	Heat exchanger unit
pos.	qty	part	benaming	description
1	1	STM7552	Warmtewisselaar compleet	Heat exchanger cpl.
2	1	STM7551	Warmtewisselaarhuis	Heat exchanger housing
3	1	SETDOPM	Vulnek	Filler neck
4	1	STM1017	Vuldop 0,5bar	Filler cap 0.5bar
5	1	STM1027	Slang vulnek l=0,4mtr.	Hose fillerneck l=0.4mtr.
6	1	STM7555	Pijpenbundel	Tube stack
7	2	STM6113	O-ring 61x2,5 FPM (groen)	O-ring 61x2.5 FPM (green)
8	1	STM6503	Aansluitdeksel	Cover
10	1	STM7446	Deksel	Cover
11	2	08-01108	Fiber afdichtring	Fibre seal washer
12	1	STM1006	Inbusbout M8x30	Allen screw M8x30
13	1	STM1062	Afdichtring	Seal washer
14	1	STM1059	Plug M14x1,5	Plug M14x1.5
15	1	STM6531	Logo plaatje	Model plate
16	8	STM1019	Gegolfde veerring M8	Wave spring washer M8
17	8	STM6121	Bout M8x1,25x110	Bolt M8x1.25x110



M4.15 M4.35		M4.17 M4.45		Warmtewisselaar unit	Heat exchanger unit
pos.	qty	part	benaming	description	
19	1	STM7557	Uitlaatinjectiebocht ø50	Exhaust inj.elbow ø50	
20	1	STM7558	Pakking	Gasket	
21	3	STM6126	Kikkerplaatje	Clamp plate	
23	3	STM6299	Inbusbout M8x20	Allen screw 8x20	
24	1	STM2019	Afdichtring	Seal washer	
25	1	STM2006	Temperatuurschakelaar 75°C M18x1,5	Thermoswitch 75°C M18x1,5	
26	2	STM2012	Slangklem 19-29	Hose clamp 19-29	
27	1	STM7585	Slang ww <-> injectiebocht	Hose heatexchanger <-> inj.elbow	
28	1	STM7710	Hijsoog	Lifting eye	
29	1	STM4014	Veerring M10	Spring washer	
30	1	STM3705	Bout M10x1,25x25	Bolt M10x1.25x25	
31	1	STM7648	Imbusbout M8 x 20 lage kop	Allen screw M8 x 20 low head	
32	1	STM7825	Pakking	Gasket	



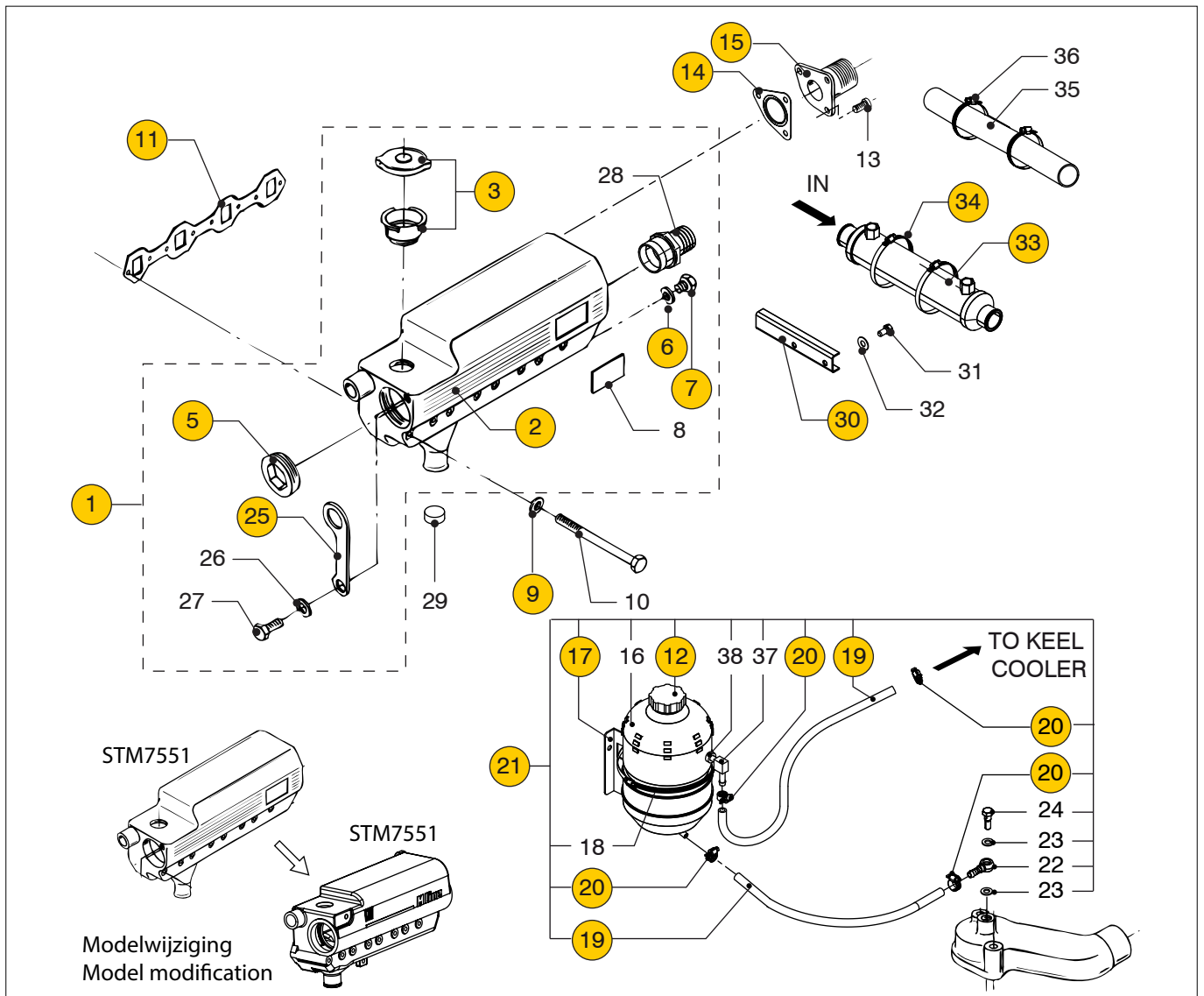
M4.15

M4.17

Kielkoelspruitstuk

Keel cooler manifold

pos.	qty	part	benaming	description
1	1	STM7554	Kielkoelspruitstuk cpl.	Keel cooler manifold cpl.
2	1	STM7553	Kielkoelspruitstuk	Keel cooler manifold
3	1	SETDOPM	Vulnek	Filler neck
5	1	STM4043	Plug G1 1/2	Plug G1 1/2
6	1	STM1062	Afdichtring	Seal washer
7	1	STM1059	Plug M14x1,5	Plug M14x1.5
8	1	STM6531	Logo plaatje	Model plate
9	8	STM1019	Gegolfde veerring M8	Wave spring washer M8
10	8	STM6121	Bout M8x1,25x110	Bolt M8x1.25x110
11	1	STM7825	Uitlaatpakking	Exhaust gasket
12	1	08-01141	Drukdop	Pressure cap
13	3	STM6299	Inbusbout M8x20	Allen screw M8x20
14	1	STM7470	Pakking	Gasket
15	1	STM7583	Uitlaatflens G1 1/2	Exhaust flange G1 1/2
16	1	STM9513	Expansietank	Headertank
17	1	STM9502	Bevestigingsbeugel	Support
18	1	STM9503	Slangklem 120-140	Hoseclamp 120-140
19	2	STM9504	Slang l=1,5mtr.	Hose l=1.5mtr.
20	4	HCS08	Slangklem mini 14	Hoseclamp mini 14
21	1	STM9514	Expansietank compleet	Headertank cpl.



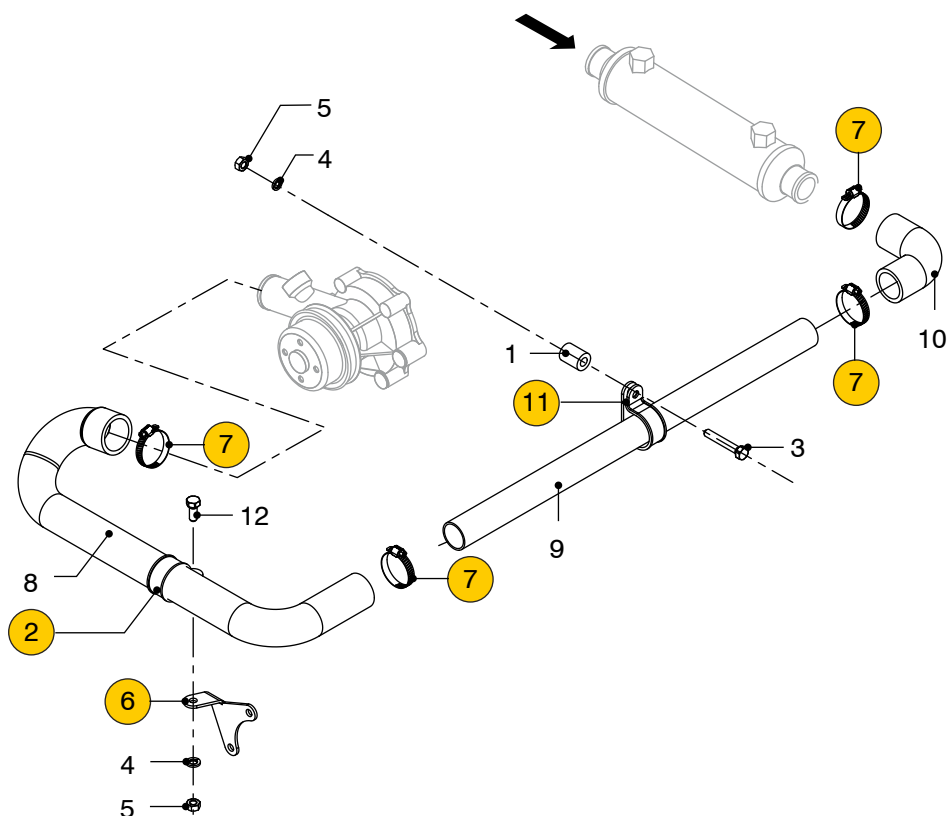
M4.15

M4.17

Kielkoelspruitstuk

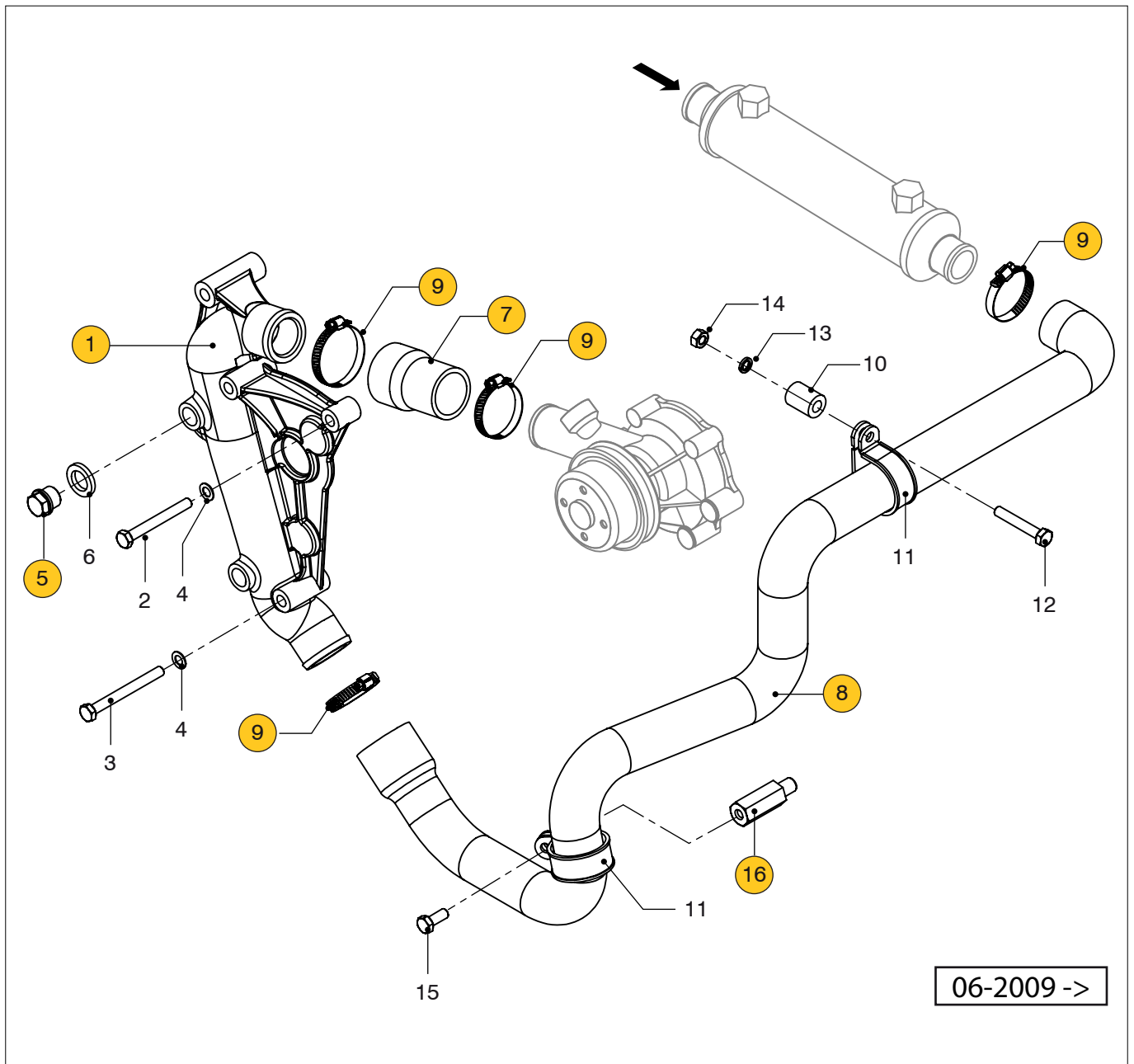
Keel cooler manifold

pos.	qty	part	benaming	description
22	1	STM7587	Banjo-oog	Banjo eye
23	2	STM2018	Afdichtring	Seal washer
24	1	STM7586	Banjo bout M8x1,25	Banjo bolt M8x1.25
25	1	STM7710	Hijsoog	Lifting eye
26	1	STM4014	Veerring M10	Spring washer M10
27	1	STM3705	Bout M10x1,25x25	Bolt M10x1.25x25
28	1	STM7673	Slangpilaar G 1 1/2 - ø32	Hose pillar G 1 1/2 - ø32
29	1	STM7679	Plug M30x1,5	Plug M30x1.5
30	1	STM7568	Bevestigingssteun	Support
31	2	STM3355	Bout M8x1,25x20	Bolt M8x1.25x20
32	2	STM1056	Veerring M8	Spring washer M8
33	1	STM3771	Oliekoeler 9"xø55-G3/4-ø33 (Hydr. keerkopp.)	Oilcooler 9"xø55-G3/4-ø33 (Hydr. gearbox)
34	2	HCS75	Slangklem 77-95	Hose clamp 77-95
35	1	08-01005	Pijp (Mechanische keerkoppeling)	Pipe (Mechanical gearbox)
36	2	STM3012	Slangklem 40-60	Hose clamp 40-60
37	1	STM9512	Slangpilaar	Hose pillar
38	1	STM9511	Tule	Grommet



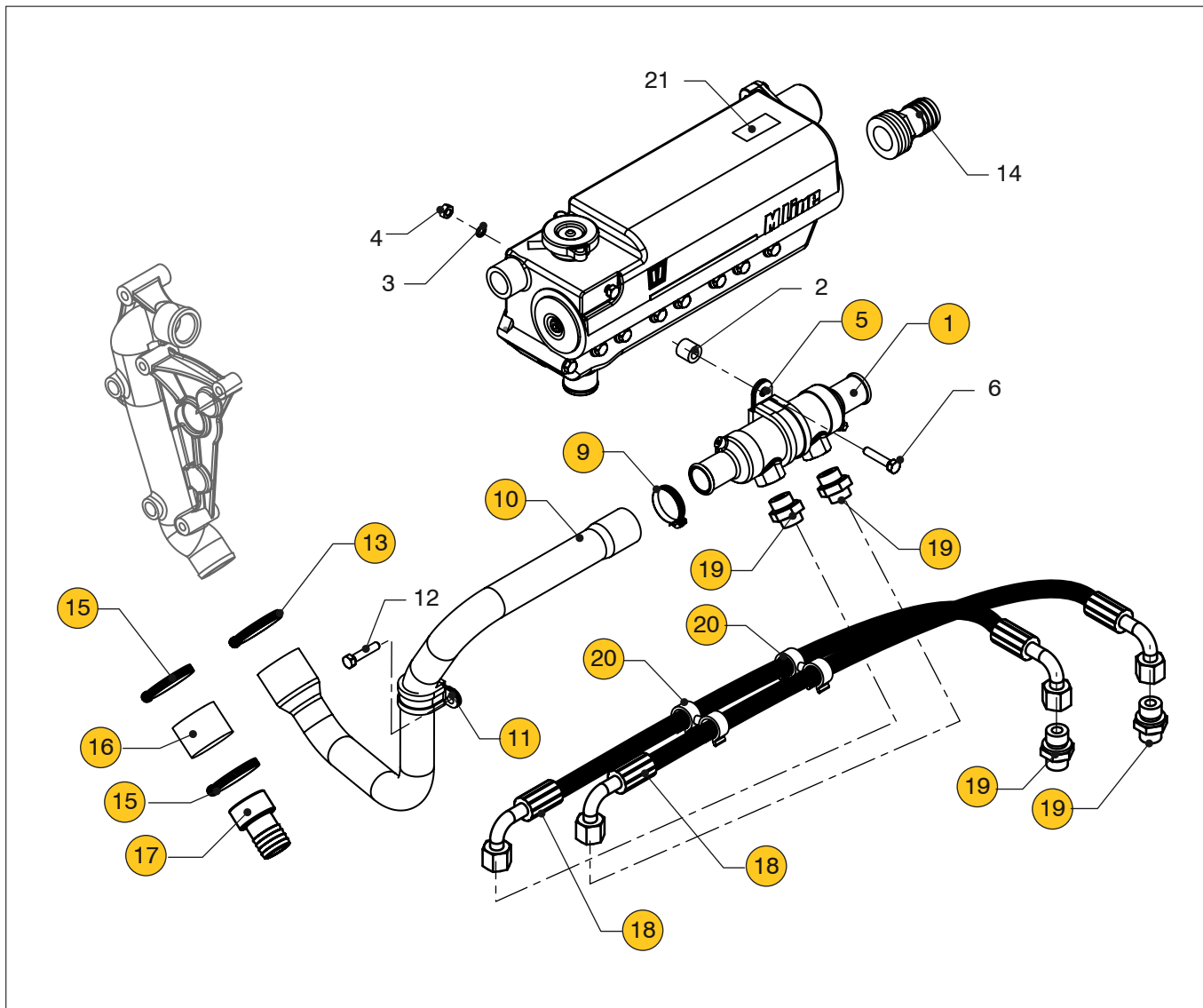
06-2009 <-

M4.15		M4.17		Aansluiting circulatiepomp, kielkoeling 06-2009 <-	Connection of circulation pump, keelcooling 06-2009 <-
pos.	qty	part	benaming	description	
1	1	STM7674	Bus	Bushing	
2	1	STM3061	Klem RSGU1.35/20W1	Clamp RSGU1.35/20W1	
3	1	STM6561	Bout M8x50	Bolt M8x50	
4	2	STM1056	Veerring M8	Spring washer M8	
5	2	STM2005	Moer M8	Nut M8	
6	1	STM7565	Bev. steun	Support	
7	4	STM3005	Slangklem 32-44	Hoseclamp 32-44	
8	1	STM7675	Slang	Hose	
9	1	STM7676	Pijp $\varnothing 28\text{-}\varnothing 32$ l=0,52 mtr.	Tube $\varnothing 28\text{-}\varnothing 32$ l=0.52 mtr.	
10	1	STM7677	Slang	Hose	
11	1	STM7564	Klem RSGU1.30/20W1	Clamp RSGU1.30/20W1	
12	1	STM3355	Bout M8x20	Bolt M8x20	



06-2009 ->

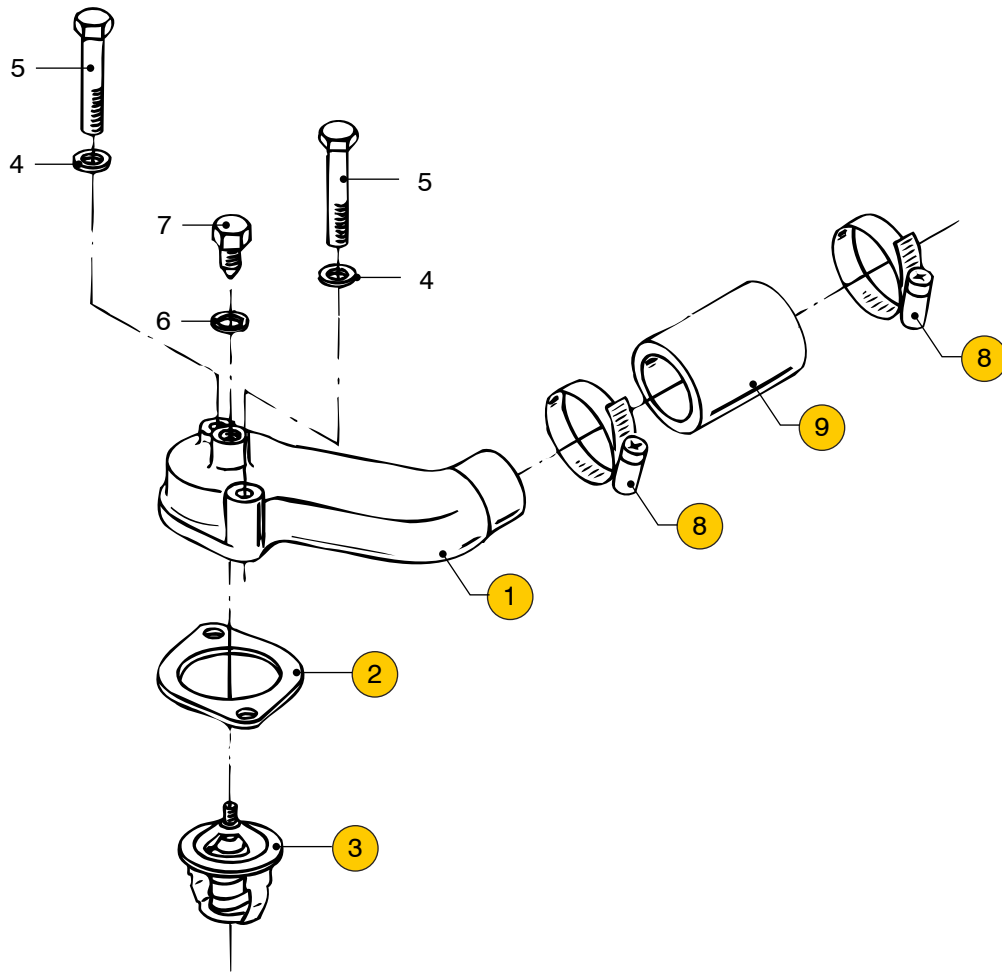
M4.15	M4.17	Aansluiting circulatiepomp, kielkoeling ->06-2009	Connection of circulation pump, keelcooling ->06-2009	
pos.	qty	part	benaming	description
1	1	STM9851	Dynamosteun/koelwaterpijp	Alternator bracket/coolant pipe
2	1	STM9682	Bout M8x75	Bolt M8x75
3	2	STM8126	Bout M8x90	Bolt M8x90
4	3	STM1019	Gegolfde veerring M8	Wave spring washer M8
5	3	STM7285	Plug G3/8	Plug G3/8
6	3	08-00136	Afdichtring	Seal washer
7	1	STM9852	Slang	Hose
8	1	STM9895	Slang	Hose
9	4	STM3005	Slangklem 32-44	Hose clamp 32-44
10	1	STM7674	Bus	Spacer
11	2	STM9859	Klem	Clamp
12	1	STM3355	Bout	Bolt
13	1	STM1056	Veerring	Spring washer
14	1	STM2005	Moer	Nut
15	1	STM3355	Bout	Bolt
16	1	STM9860	Adapter	Adapter



### Aansluiting kielkoeling

### Connection keel cooling

pos.	qty	part	benaming	description
1	1	08-01316	Oliekoeler keerkoppeling	Oil cooler gearbox
2	1	STM8804	Bus l=18	Bush l=18
3	1	STM2022	Gegolfde veerring M10	Wave spring washer M10
4	1	STM4018	Moer M10	Nut M10
5	1	CT30061	Klem Ø50	Clamp Ø50
6	1	STM6560	Bout M10x50	Bolt M10x50
9	1	HCS25	Slangklem 25-40	Hose clamp 25-40
10	1	08-01321	Slang	Hose
11	1	STM3061	Klem	Clamp
12	1	STM3355	Bout M8x20	Bolt M8x20
13	1	STM3005	Slangklem 35-50	Hose clamp 35-50
14	1	STM7673	Slangpilaar G1 1/2 - 32	Hose pilar G1 1/2 - 32
15	2	STM3005	Slangklem 35-50	Hose clamp 35-50
16	1	08-01343	Slang	Hose
17	1	08-01344	Slangpilaar 32mm uitwendig	Hose pilar 32mm outside diameter
18	2	CT50079	Slang l=550	Hose l=550
19	4	STM3491	Nippel M16 > G3/8	Nipple M16 > G3/8
20	2	VD60090	Klem	Clamp
21	1	08-01357	Motortypeplaat M4.35	Engine type plate
	1	08-01358	Motortypeplaat M4.45	Engine type plate



M4.15  
M4.35

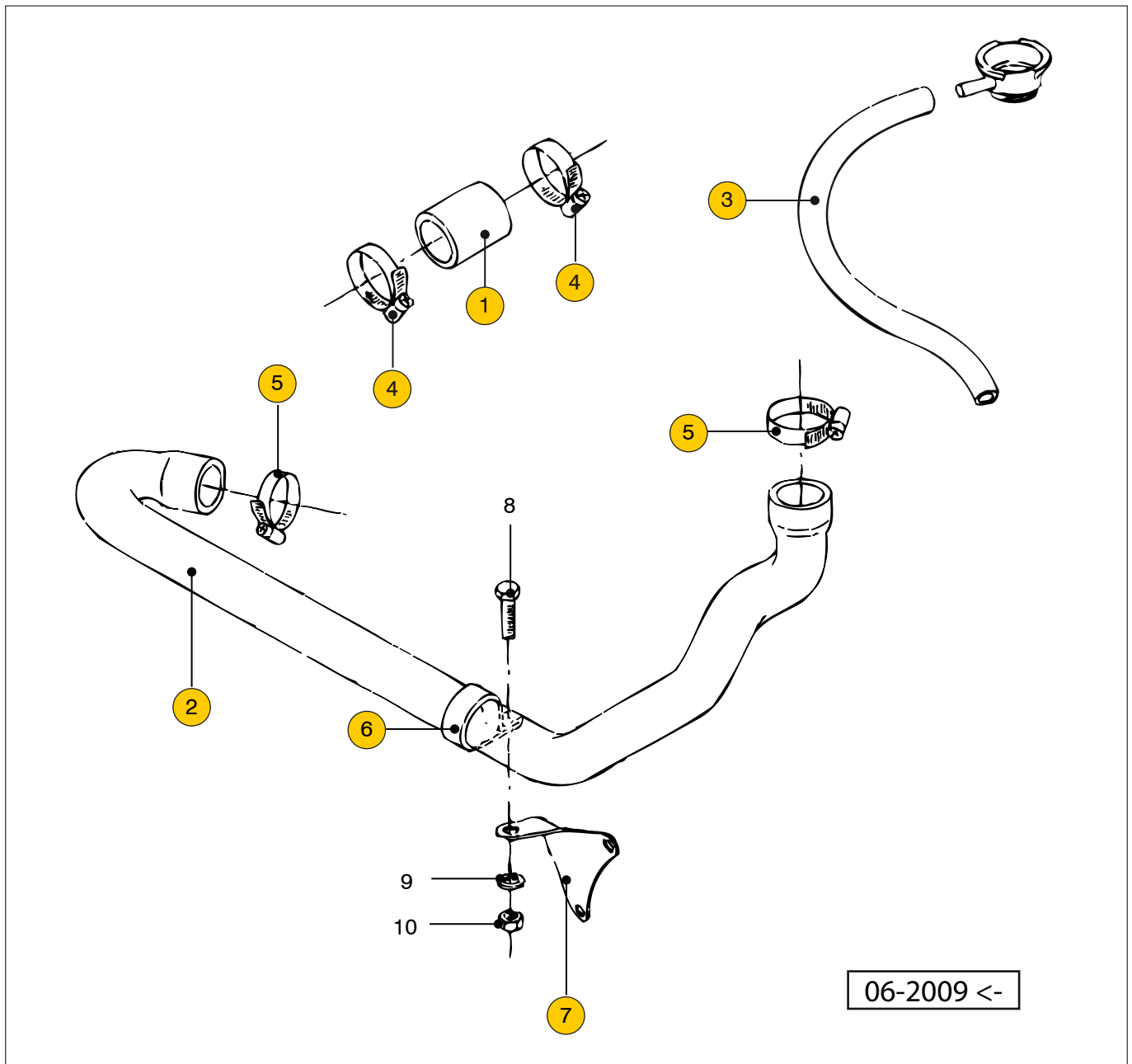
M4.17  
M4.45

**Thermostaathuis**

**Thermostat housing**

pos.	qty	part	benaming	description
1	1	STM7559	Thermostaathuis	Thermostat housing
2	1	STM7855	Pakking	Gasket
3	1	STM7654	Thermostaat 76,5°C	Thermostat 76,5°C
4	2	STM1019	Gegolfde veerring M8	Wave spring washer M8
5	2	STM2261	Bout M8x1,25x40	Bolt M8x1.25x40
6	1	STM1007	Afdichring	Seal washer
7	1	STM3796	Bout M8x1,25x10	Bolt M8x1.25x10
8	2	STM3005	Slangklem 32-44	Hose clamp 32-44
9	1	STM7560	Slang thermostaathuis <-> WW	Hose thermostathousing <-> headex.



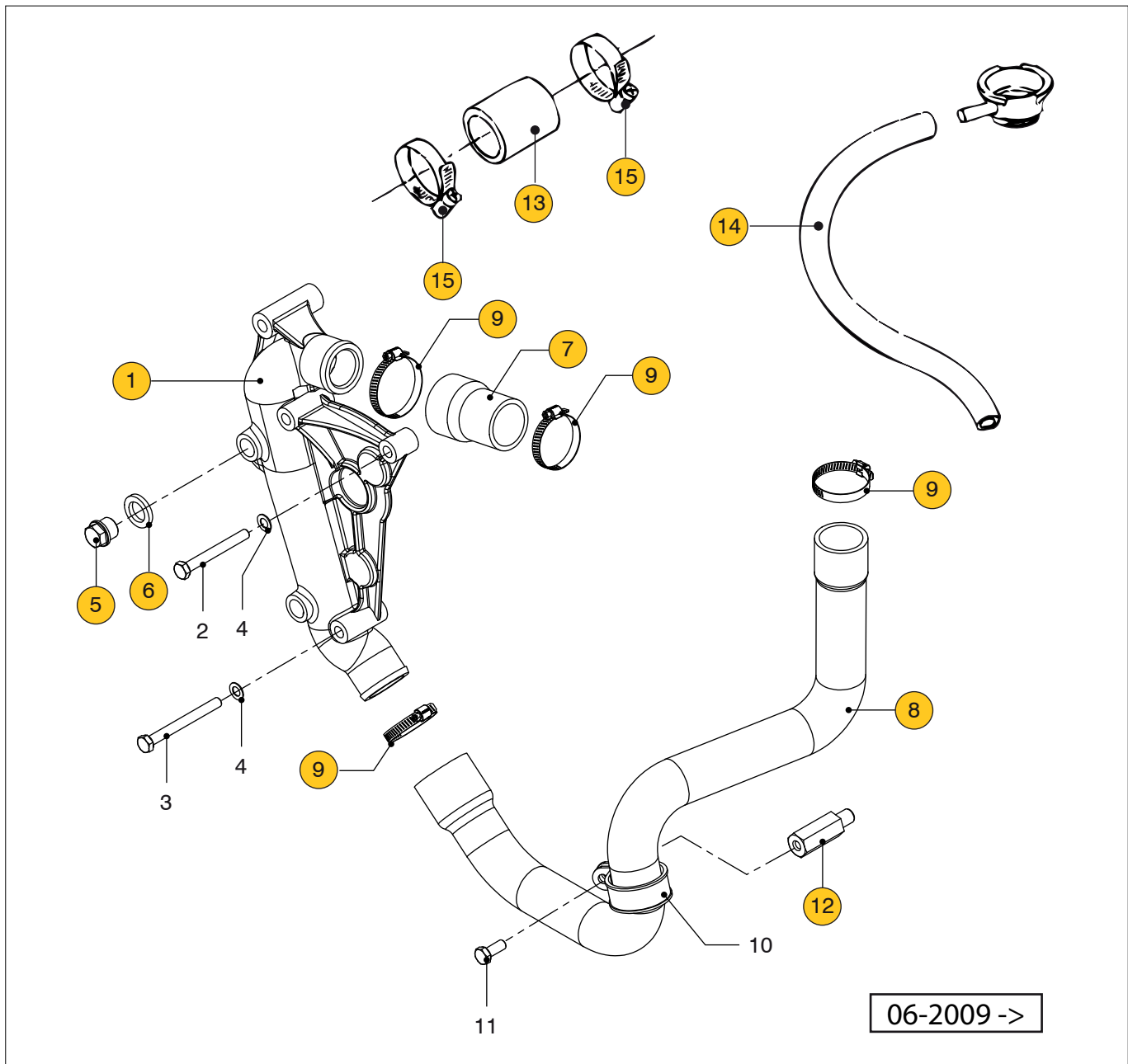


06-2009 <-

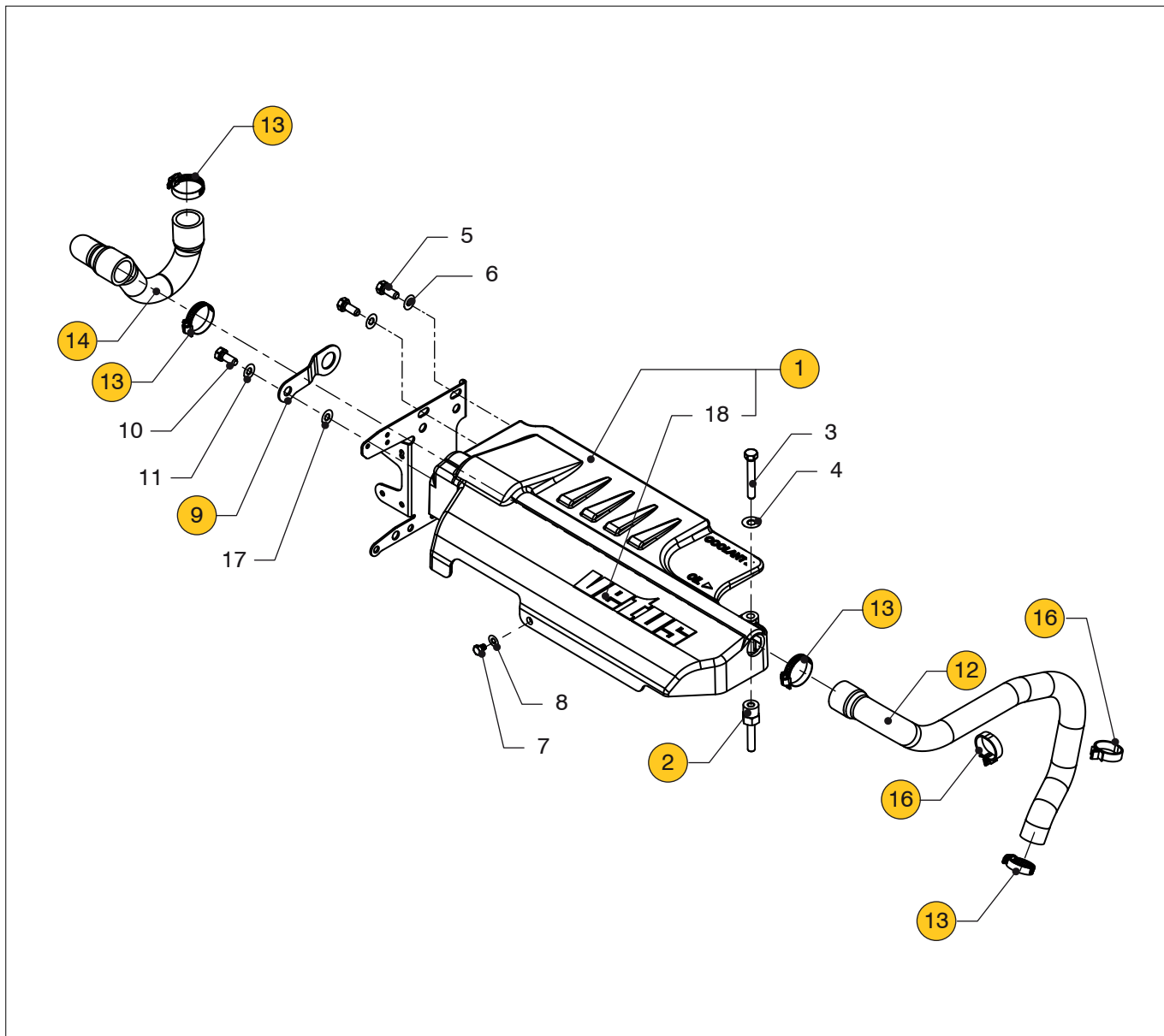
**M4.15 M4.17 Slangen, binnenwater 06-2009 <-**

**Hoses, coolant 06-2009<-**

pos.	qty	part	benaming	description
1	1	STM7560	Slang thermostaathuis <-> ww	Hose thermostathousing <-> heatex.
2	1	STM3091	Slang ww <-> binnenwaterpomp	Hose heatexchanger <-> pump
3	1	FUHOSE13	Slang vulnek l=0,4mtr.	Hose l=0.4mtr.
4	2	STM3005	Slangklem 32-44	Hoseclamp 32-44
5	2	STM3005	Slangklem 32-44	Hoseclamp 32-44
6	1	STM3061	Klem RSGU1.35/20W1	Clamp RSGU1.35/20W1
7	1	STM7565	Bevestigingssteun	Support
8	1	STM3355	Bout M8x20	Bolt M8x20
9	1	STM1056	Veerring M8	Spring washer M8
10	1	STM2005	Moer M8	Nut M8



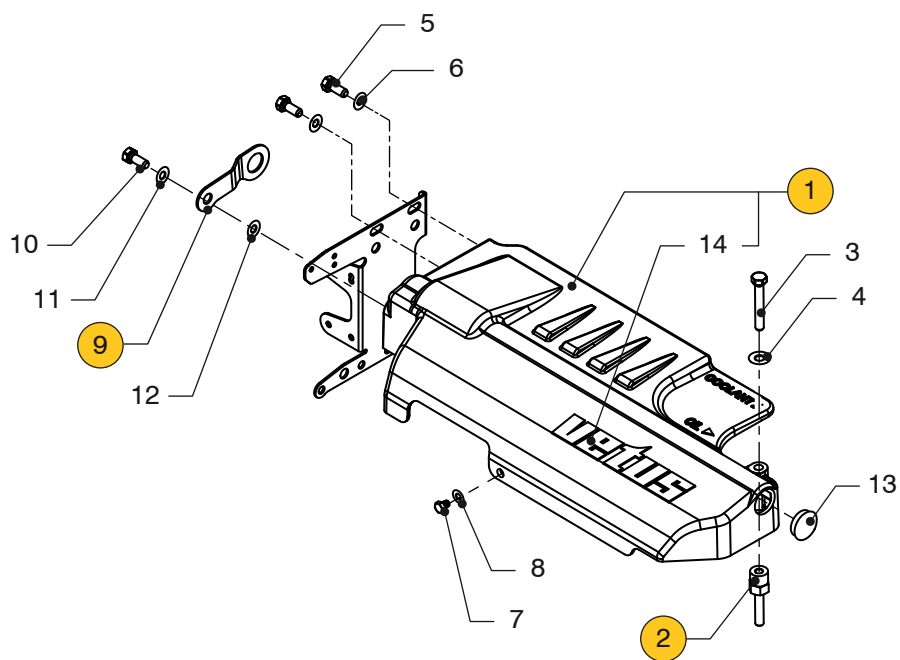
M4.15 M4.35		M4.17 M4.45		Slangen, binnenwater 06-2009 ->	Hoses, coolant 06-2009 ->
pos.	qty	part	benaming	description	
1	1	STM9851	Dynamosteun/koelwaterpijp	Alternator bracket/coolant pipe	
2	1	STM9682	Bout M8x75	Bolt M8x75	
3	2	STM8126	Bout M8x90	Bolt M8x90	
4	3	STM1019	Gegolfde veerring M8	Wave spring washer M8	
5	3	STM7285	Plug G3/8	Plug G3/8	
6	3	08-00136	Afdichtring	Seal washer	
7	1	STM9852	Slang	Hose	
8	1	STM9853	Slang	Hose	
9	4	STM3005	Slangklem 32-44	Hose clamp 32-44	
10	1	STM9859	Klem 45mm	Clamp 40mm	
11	1	STM3355	Bout M8x20	Bolt M8x20	
12	1	STM9860	Adapter M12x1,25->M8x1,25	Adapter	
13	1	STM7560	Slang thermostaathuis <-> ww	Hose thermostathousing <-> heatex.	
14	1	FUHOSE13	Slang vulnek l=0,4mtr.	Hose l=0.4mtr.	
15	2	STM3005	Slangklem 32-44	Hoseclamp 32-44	



### Bovenkap interkoeling

### Upper cover intercooling

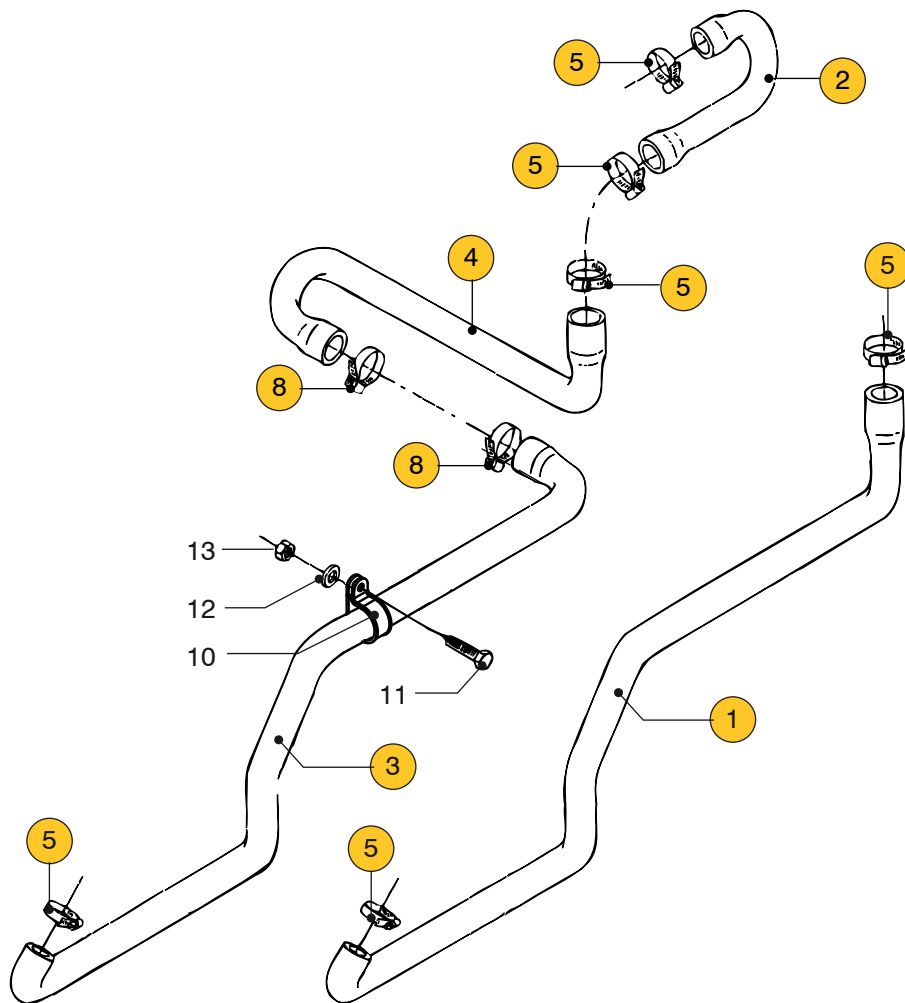
M4.35		M4.45			
pos.	qty	part	benaming	description	
1	1	08-01283	Bovenkap M4	Upper cover M4	
2	1	08-01313	Afstandshouder (20 Nm)	Stud (20 Nm)	
3	1	STM9256	Bout M8x55 (15 Nm)	Bolt M8x55 (15 Nm)	
4	1	STM1019	Gegolfde veerring M8	Wave spring washer M8	
5	2	STM4055	Bout M8x16	Bolt M8x16	
6	2	STM1019	Gegolfde veerring M8	Wave spring washet M8	
7	1	08-01330	Bout M6x8	Bolt M6x8	
8	1	STM1019	Gegolfde veerring M8	Wave spring washer M8	
9	1	STM7710	Hijsoog	Lifting eye	
10	1	STM9003	Bout M10x1,5x25	Bolt M10x1,5x25	
11	1	STM2022	Gegolgte veerring M10	Wave spring washer M10	
12	1	08-01314	Slang buitenwaterpomp	Hose seawater pump	
13	2	HCS16	Slangklem 19-28	Hose clamp 19-28	
14	1	08-01315	Slang aansluitdeksel	Hose connection cover	
16	2	08-01320	Klem	Clamp	
17	1	08-01372	Ring	Washer	
18	1	08-01504	Sticker	Sticker	



### Bovenkap kielkoeling

### Upper cover keel cooling

pos.	qty	part	benaming	description
1	1	08-01293	Bovenkap M4	Upper cover M4
2	1	08-01313	Afstandshouder (20 Nm)	Stud (20 Nm)
3	1	STM9256	Bout M8x55 (15 Nm)	Bolt M8x55 (15 Nm)
4	1	STM1019	Gegolfde veerring M8	Wave spring washer M8
5	2	STM4055	Bout M8x16	Bolt M8x16
6	2	STM1019	Gegolfde veerring M8	Wave spring washet M8
7	1	08-01330	Bout M6x8	Bolt M6x8
8	1	STM1019	Gegolfde veerring M8	Wave spring washer M8
9	1	STM7710	Hijsoog	Lifting eye
10	1	STM9003	Bout M10x1,5x25	Bolt M10x1,5x25
11	1	STM2022	Gegolfde veerring M10	Wave spring washer M10
12	1	08-01372	Ring	Washer
13	1	08-01387	Kap	Cover
14	1	08-01504	Sticker	Sticker



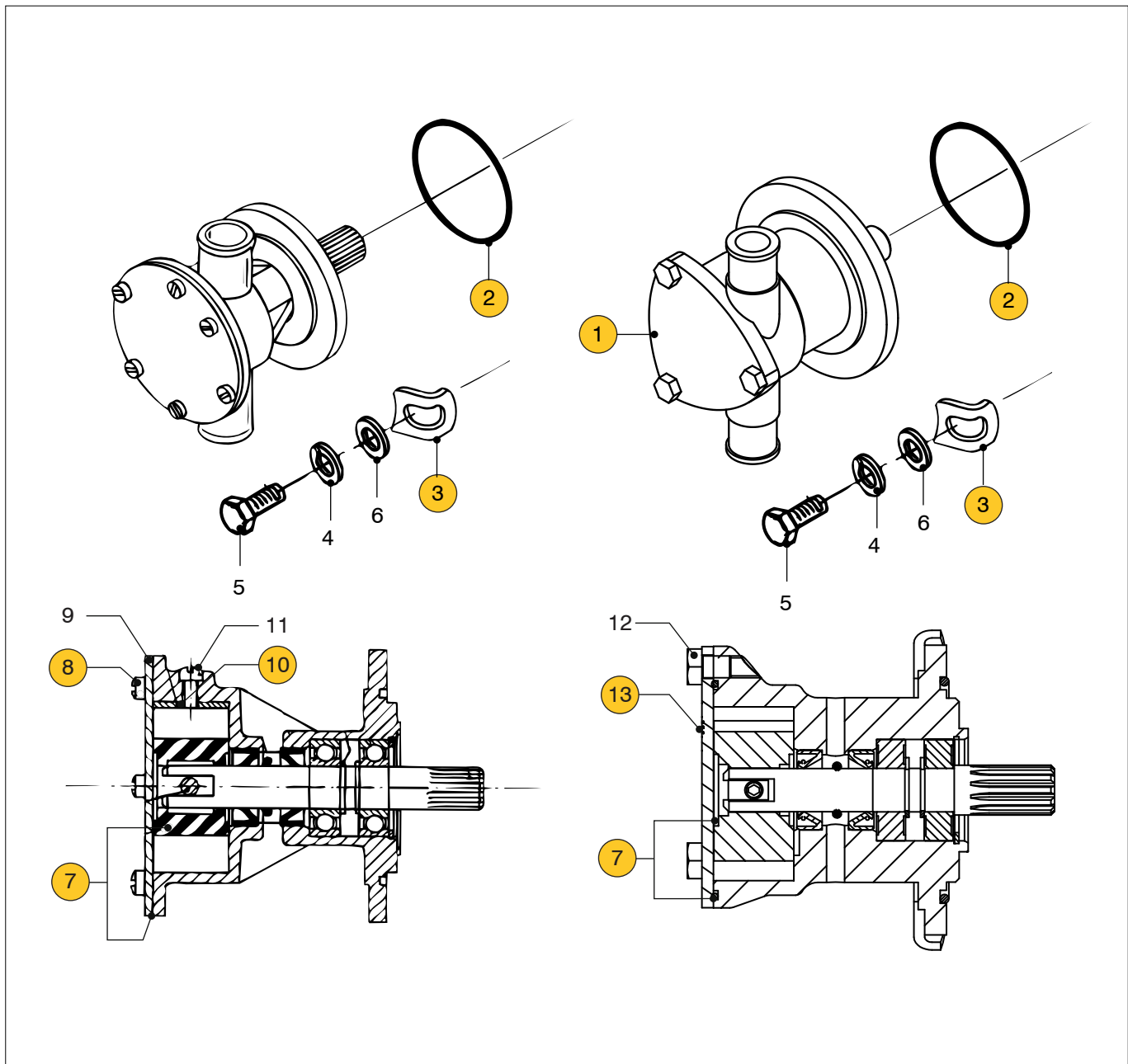
M4.15

M4.17

Slangen, buitenwater

Hoses, raw water

pos.	qty	part	benaming	description
①	1	STM7561	Slang buitenwaterpomp <-> ww	Hose seawaterpump <-> heatexchanger
②	1	STM7585	Slang ww <-> injectiebocht	Hose heatexchanger <-> inj.elbow
③	1	STM7562	Slang buitenw.pomp <-> oliekoeler	Hose pump <-> oilcooler
④	1	STM7563	Slang oliekoeler <-> ww	Hose oilcooler <-> heatex.housing
⑤	2	HCS16	Slangklem 19-28	Hoseclamp 19-28
⑧	2	HCS25	Slangklem 26-38	Hoseclamp 26-38
10	1	STM7564	Klem RSGU1.30/20W1	Clamp RSGU1.30/20W1
11	1	STM7059	Bout M8x30	Bolt M8x30
12	1	STM1019	Gegolfde veerring M8	Wave spring washer M8
13	1	STM2005	Moer M8	Nut M8



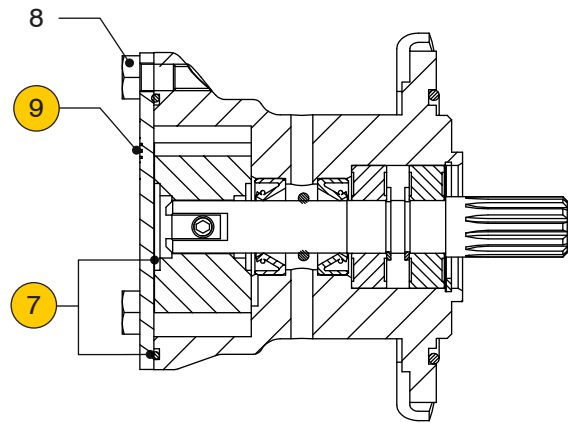
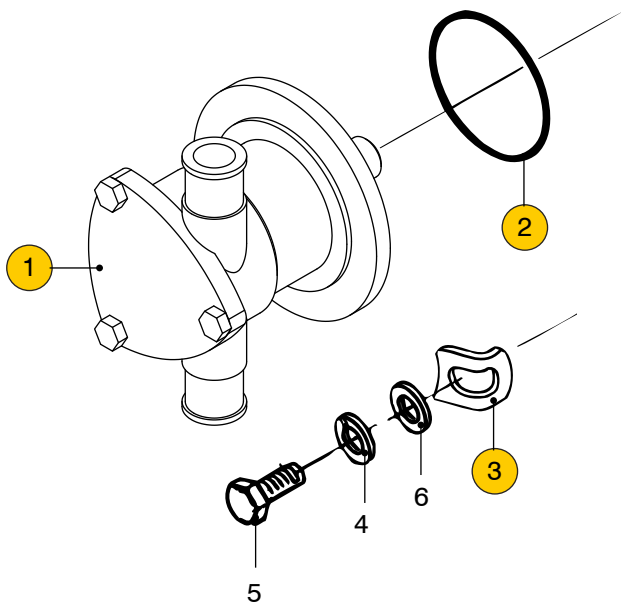
M4.15

M4.17

Zeewaterpomp

Seawater pump

pos.	qty	part	benaming	description
1	1	STM7630	Pomp 3/4 kam	Pump 3/4 cam
2	1	STM6127	O-ring	O-ring
3	4	STM6126	Kikkerplaatje	Clamp plate
4	4	STM1056	Veerring M8	Spring washer M8
5	4	STM1610	Bout M8x25	Bolt M8x25
6	4	STM1653	Ring M8	Washer M8
7	1	STM8076	Impeller+pakking	Impeller+gasket
8	6	STM6163	Schroef	Screw
9	1	STM7629	Deksel (rond)	Cover (round)
10	1	STM7631	Kam 3/4 (2,6mm)	Cam 3/4 (2.6mm)
11	1	STM6167	Schroef	Screw
12	3	STM7689	Bout	Bolt
13	1	STM7688	Deksel (driehoekig)	Cover (triangular)

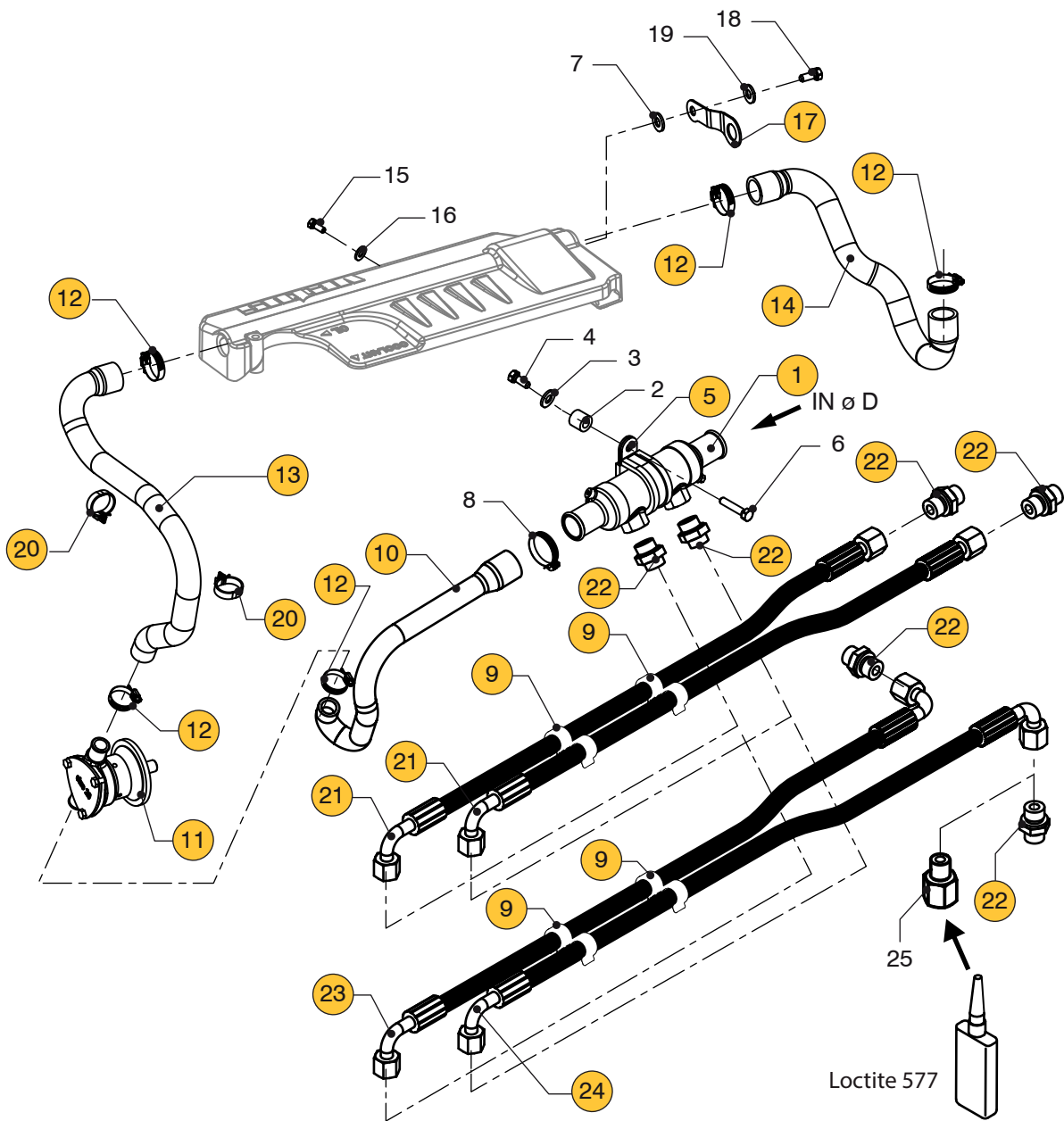


### Zeewaterpomp

### Seawater pump

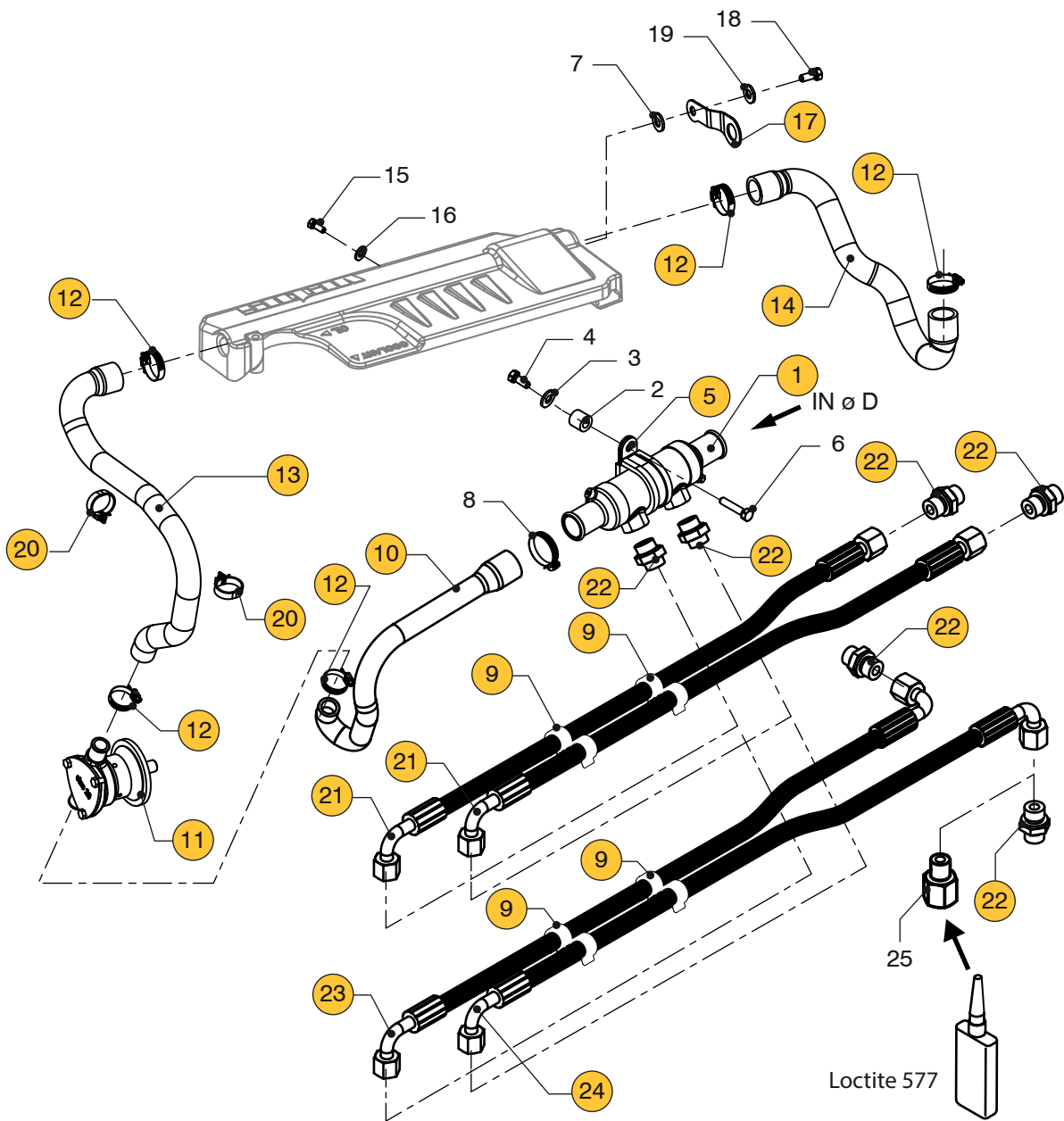
M4.35 M4.45

pos.	qty	part	benaming	description
1	1	STM7630	Pomp 3/4 kam	Pump 3/4 cam
2	1	STM6127	O-ring	O-ring
3	4	STM6126	Kikkerplaatje	Clamp plate
4	4	STM1056	Veerring M8	Spring washer M8
5	4	STM1610	Bout M8x25	Bolt M8x25
6	4	STM1653	Ring M8	Washer M8
7	1	STM8076	Impeller+pakking	Impeller+gasket
8	3	STM7689	Bout	Bolt
9	1	STM7688	Deksel (driehoekig)	Cover (triangular)

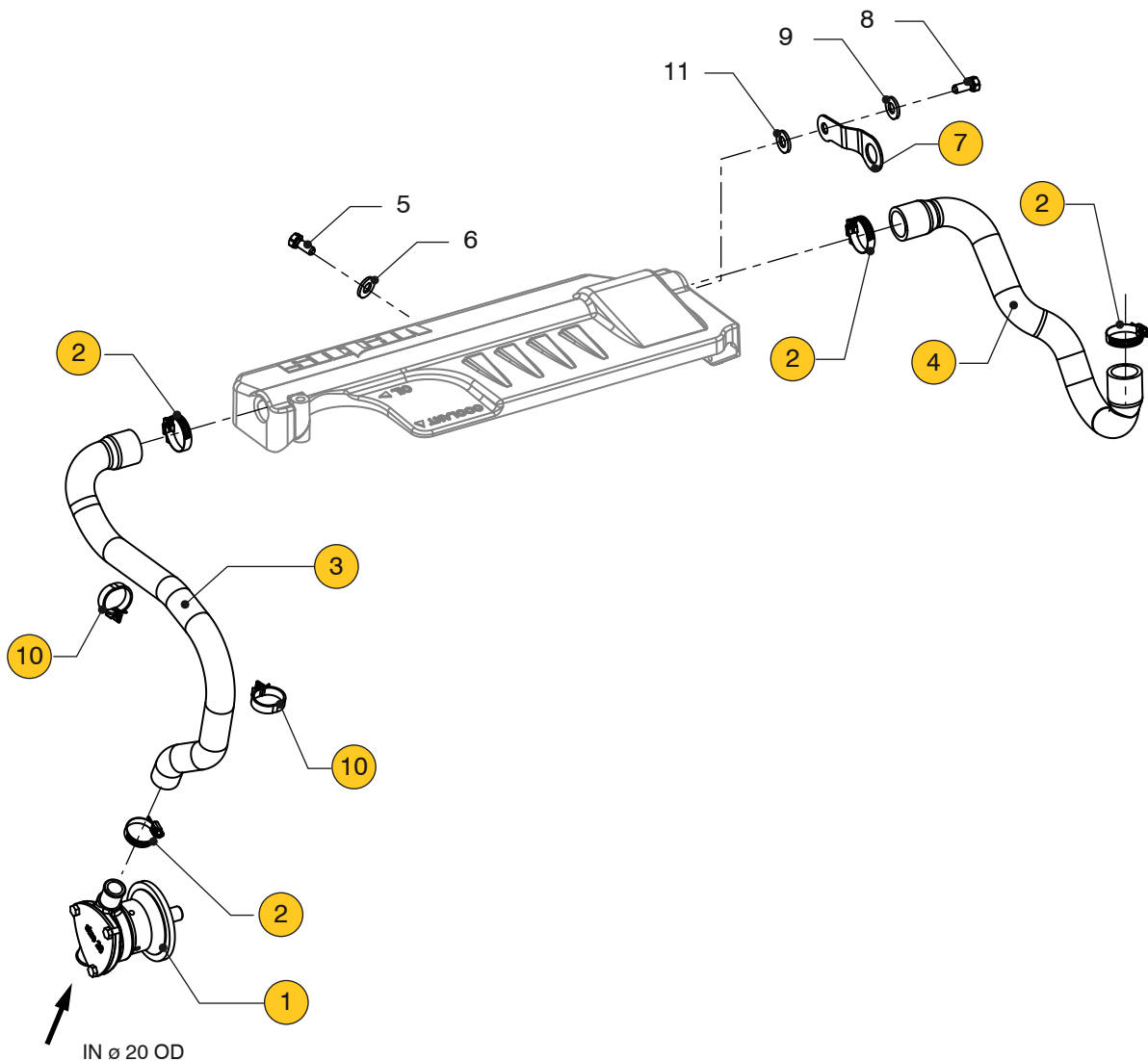


M4.35		M4.45		Buitenwater pomp, interkoeling/hydraulische keerkoppeling	Sea water pump, intercooling/hydraulic gearbox
pos.	qty	part	benaming	description	
1	1	08-01316	Oliekoeler keerkoppeling aansluiting D ø 32 mm	Oil cooler gearbox connection D 32 mm diam.	
2	1	STM8804	Bus l=18	Bush l=18	
3	1	STM2022	Gegolfde veerring M10	Wave spring washer M10	
4	1	STM4018	Moer M10	Nut M10	
5	1	CT30061	Klem ø 50	Clamp ø 50	
6	1	STM6560	Bout M10x50	Bolt M10x50	
7	1	08-01372	Ring	Washer	
8	1	HCS25	Slangklem 25-40	Hose clamp 25-40	
9	2	VD60090	Klem	Clamp	
10	1	08-01319	Slang	Hose	
11	1	STM7630	Buitenwater pomp 3/4 kam	Seawater pump 3/4 cam	
12	5	HCS16	Slangklem 19-29	Hose clamp 19-29	
13	1	08-01314	Slang	Hose	
14	1	08-01315	Slang	Hose	
15	1	STM8567	Bout M6 x 10	Bolt M6 x 10	
16	1	STM1019	Gegolfde veerring M8	Wave spring washer M8	

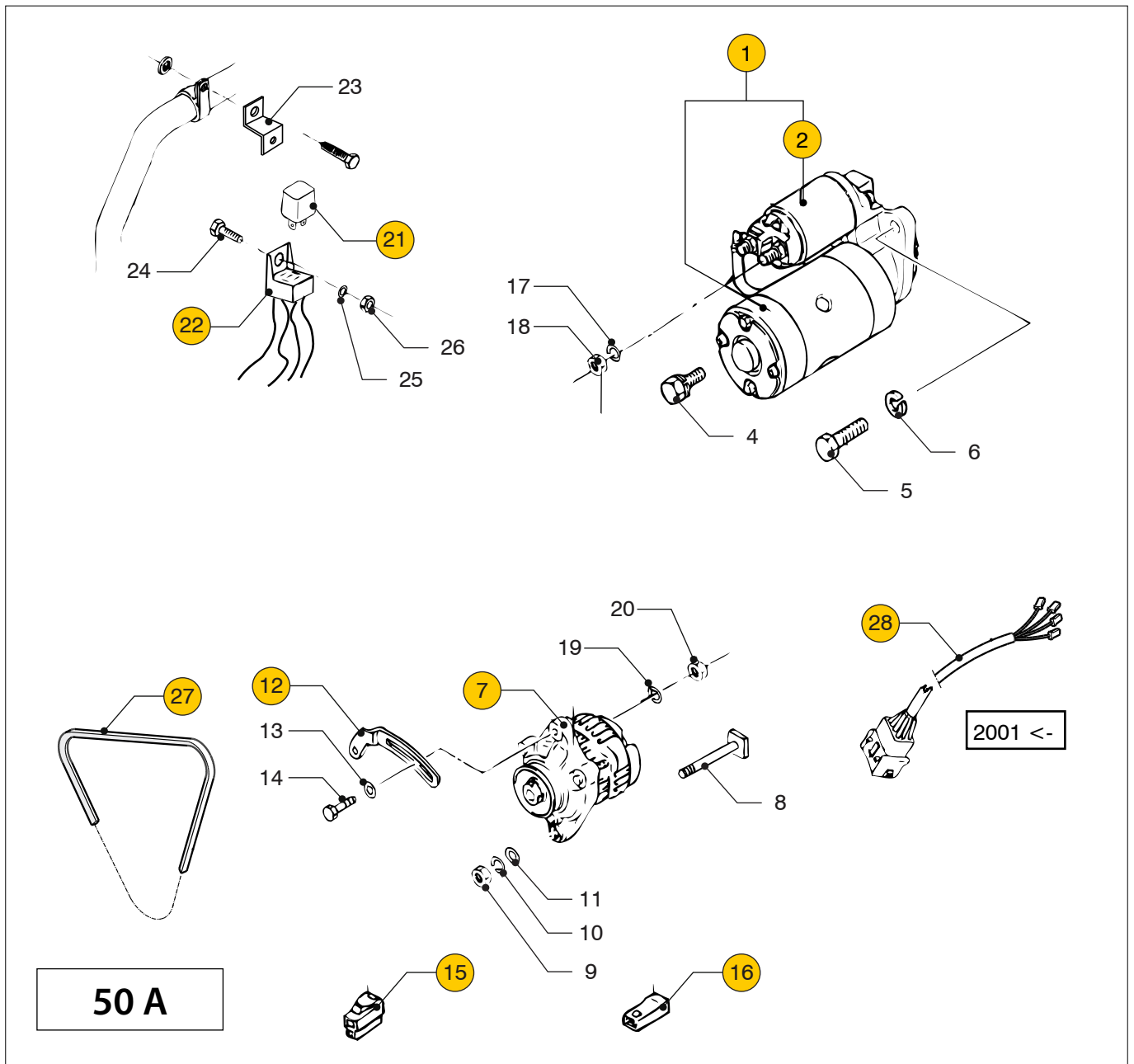




M4.35		M4.45		Buitenwater pomp, interkoeling/hydraulische keerkoppeling	Sea water pump, intercooling/hydraulic gearbox
pos.	qty	part	benaming	description	
17	1	STM7710	Hijsoog	Lifting eye	
18	1	STM9003	Bout M10x1,5x25	Bolt M10x1,5x25	
19	1	STM2022	Gegolde veerring M10	Wave spring washer M10	
20	2	08-01320	Klem	Clip	
21	2	CT50079	Slang L = 550, TM345	Hose L = 550, TM345	
22	4	STM3491	Nippel M16 bui.dr.> G3/8 bui.dr.	Nipple M16 male > G3/8 male	
23	1	08-01450	Slang L = 590, PRM500 / ZF25	Hose L = 590, PRM500 / ZF25	
24	1	08-01451	Slang L = 690, PRM500 / ZF25	Hose L = 690, PRM500 / ZF25	
25	1	STM5434	Nippel M16 bui.dr.> G3/8 bi.dr. (Trolling Valve)	Nipple M16 male > G3/8 female (Trolling Valve)	



M4.35		M4.45		Buitenwater pomp, intercooling/mechanische keerkoppeling	Sea water pump, intercooling/mechanical gearbox
pos.	qty	part	benaming	description	
1	1	STM7630	Buitenwater pomp 3/4 kam	Seawater pump 3/4 cam	
2	4	HCS16	Slangklem 19-29	Hose clamp 19-29	
3	1	08-01314	Slang	Hose	
4	1	08-01315	Slang	Hose	
5	1	STM8567	Bout M6x10	Bolt M6x10	
6	1	STM1019	Gegolfdde veerring M8	Wave spring washer M8	
7	1	STM7710	Hijsoog	Lifting eye	
8	1	STM9003	Bout M10x1,5x25	Bolt M10x1,5x25	
9	1	STM2022	Gegolfdde veerring M10	Wave spring washer M10	
10	2	08-01320	Klem	Clip	
11	2	08-01372	Ring	Washer	



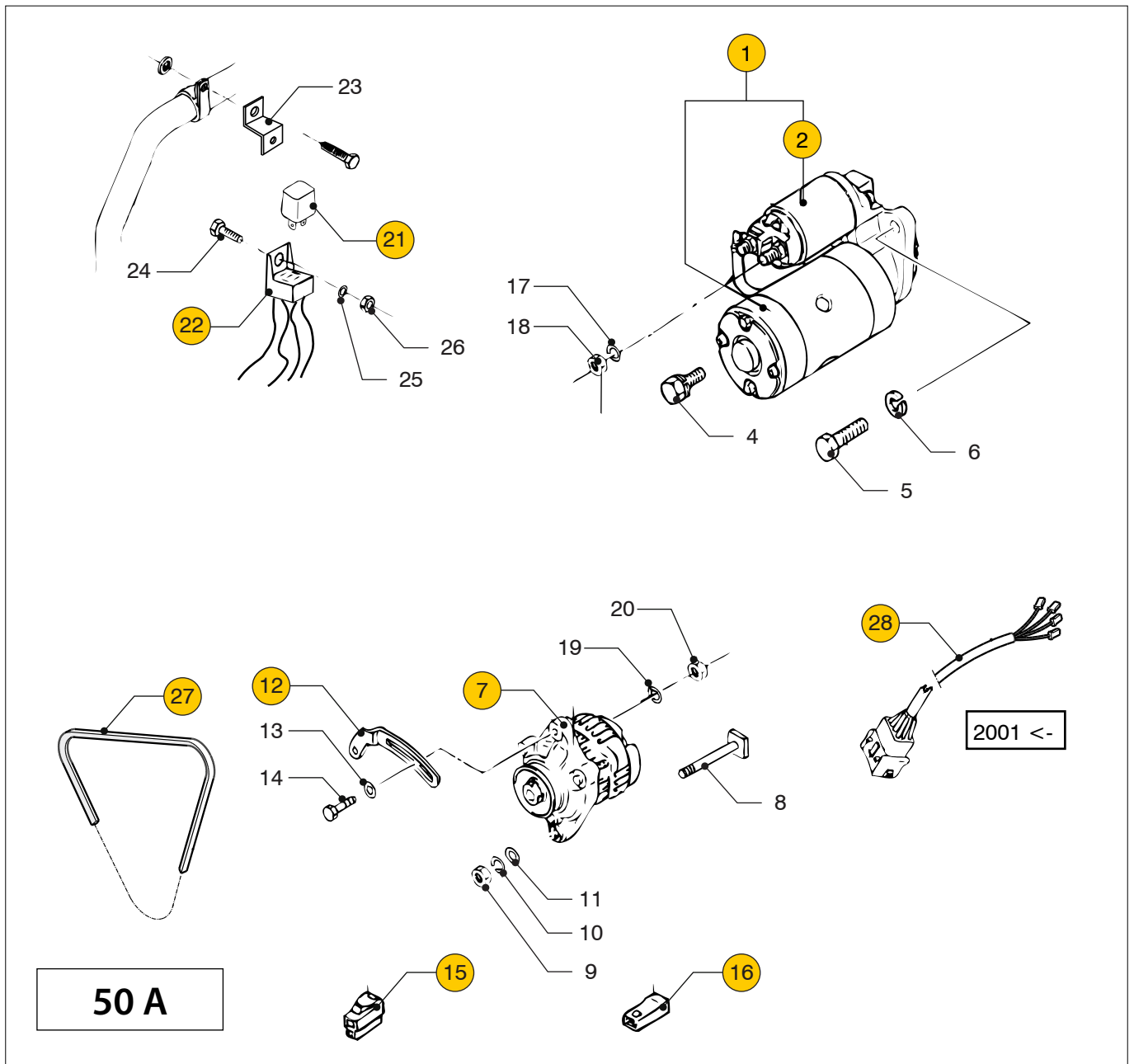
M4.15

M4.17

Startmotor + dynamo

Starter motor + alternator

pos.	qty	part	benaming	description
1	1	STM7944	Startmotor	Starter motor
2	1	STM9836	Relais met plastic pin	Relay with plastic pin
	1	STM7967	Relais met metalen oog	Relay with metal eye
4	1	STM7933	Bout	Bolt
5	1	STM7934	Bout	Bolt
6	1	STM7935	Ring	Washer
7	1	STM7945	Dynamo 12V-50A	Alternator 12V-50A
8	1	STM7943	Bout	Bolt
9	1	STM7940	Moer	Nut
10	1	STM7941	Ring	Washer
11	1	STM7942	Ring	Washer
12	1	STM7937	Spansteun	Tension support
13	1	STM7938	Ring	Washer
14	1	STM7939	Bout	Bolt
15	1	STM6278	Stekkerhuls	Connector
16	1	STM6277	Stekkerhuls	Connector



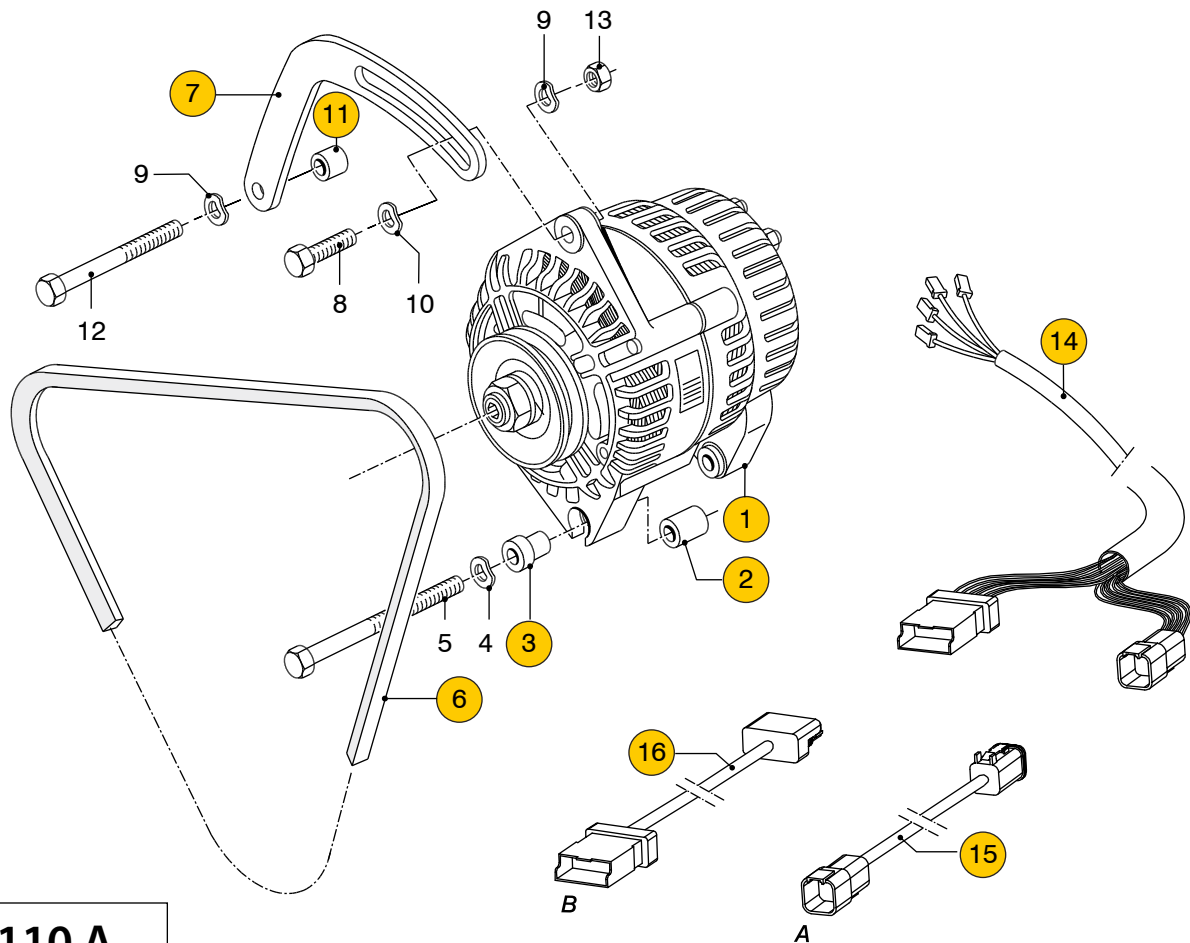
M4.15

M4.17

Startmotor + dynamo

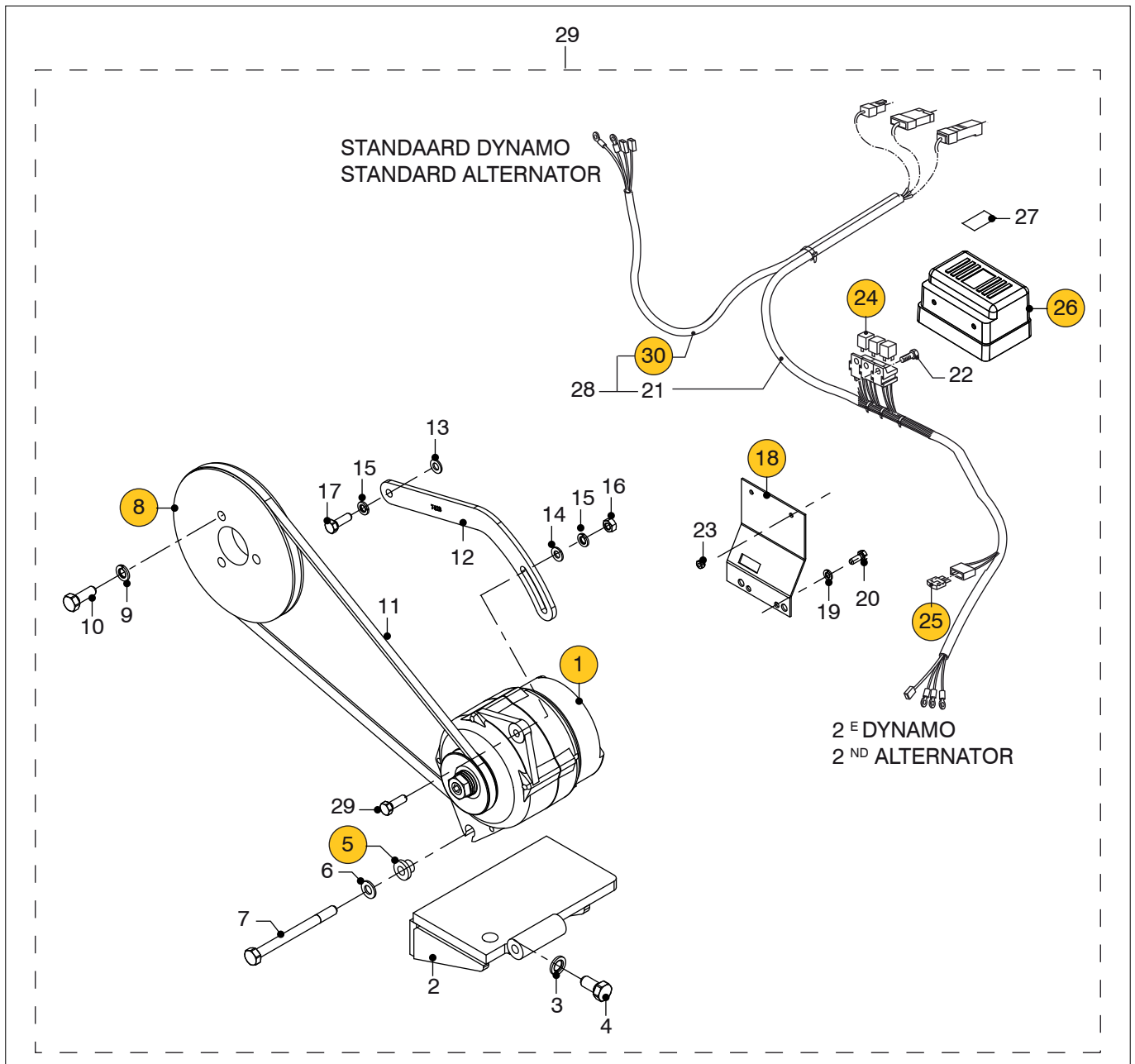
Starter motor + alternator

pos.	qty	part	benaming	description
17	1	STM1019	Gegolfde veerring M8	Wave spring washer M8
18	1	STM6568	Moer M8	Nut M8
19	1	STM1025	Gegolfde veerring M6	Wave spring washer M8
20	1	STM2005	Moer M6	Nut M6
21	1	STM9050	Relais	Relay
22	1	STM7656	Draadboom hulpstartrelais cpl.	Wiring loom aux. starter relay cpl.
23	1	STM7655	Beugel	Bracket
24	1	STM9062	Bout	Bolt
25	1	STM8177	Ring	Washer
26	1	STM1705	Moer	Nut
27	1	STM7966	V-snaar 50 A	V-belt
28	1	STM9862	Bedrading 50 A 2001 <-	Wiring 50 A 2001 <-

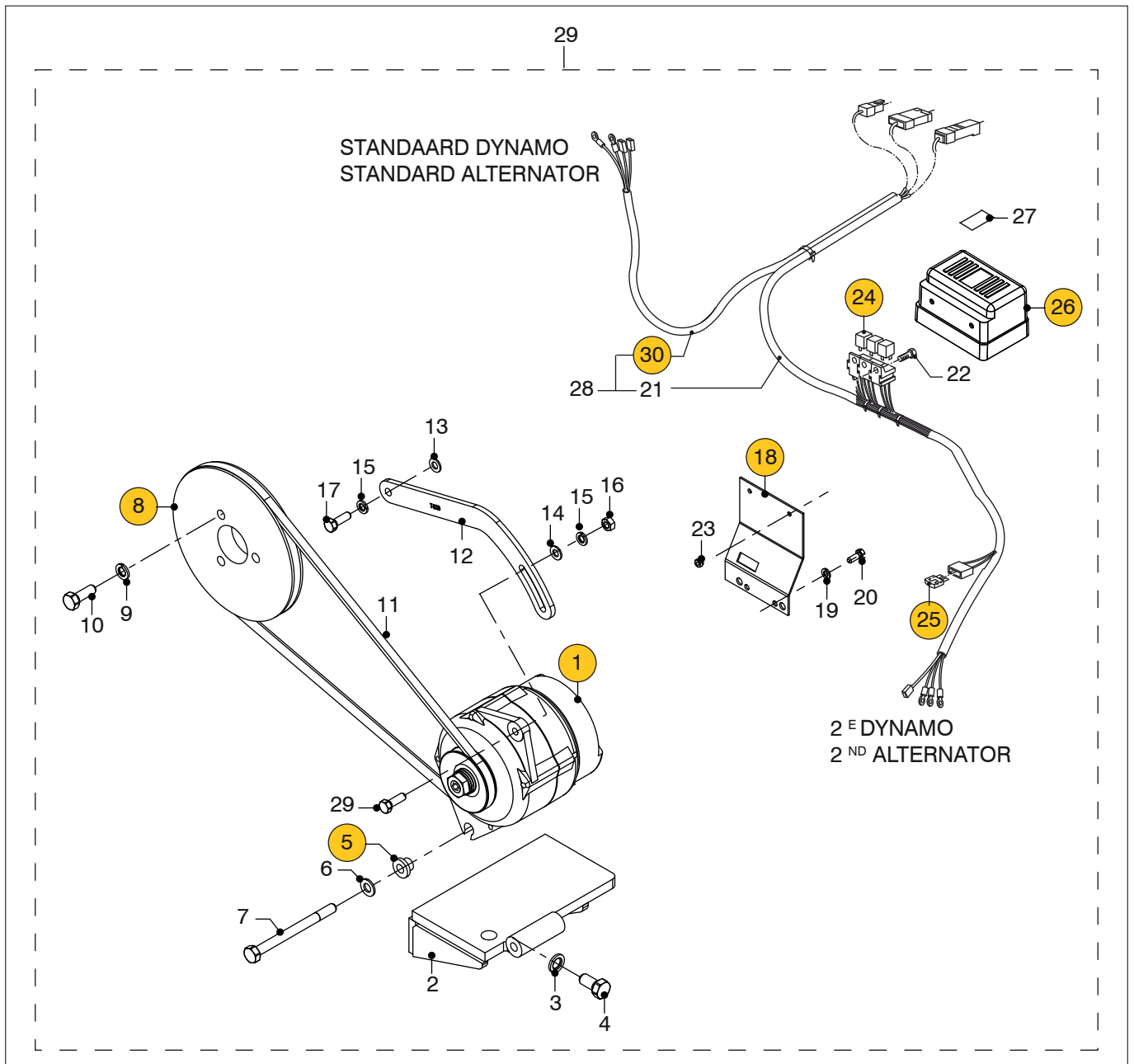


110 A

pos.	qty	part	benaming	description
1	1	STM9292	Dynamo 110 A - 12 V 1P	Alternator 110 A - 12 V Earth return
2	1	STM7640	Bus	Bushing
3	1	STM7641	Kraagbus	Collar bushing
4	1	STM2022	Gegolfde veerring M10	Wave spring washer M10
5	1	STM7642	Bout M10 x 120	Bolt M10 x 120
6	1	STM7643	V-snaar AVX 10 x 988 La (SPZ)	Washer AVX 10 x 988 La (SPZ)
7	1	STM7627	Spansteun	Tensioner bracket
8	1	STM1610	Bout M8 x 25	Bolt M8 x 25
9	2	STM1056	Veerring M8	Spring washer M8
10	1	STM3749	Ring M8	Washer M8
11	1	STM7646	Bus l=10	Bushing l=10
12	1	STM9682	Bout M8x75	Bolt M8x75
13	1	STM2005	Moer M8	Nut M8
14	1	STM9862	Motorbedrading 110 A 06-2009 <-	Engine wiring loom 110 A 06-2009 <-
15	1	MPKA02	Tussenkabel A 2 m grijs 6 polig	Intermediate cable A 2 gray 6 pole
		MPKA04	Tussenkabel A 4 m grijs 6 polig	Intermediate cable A 4 gray 6 pole
		MPKA06	Tussenkabel A 6 m grijs 6 polig	Intermediate cable A 6 gray 6 pole
		MPKA12	Tussenkabel A 12 m grijs 6 polig	Intermediate cable A 12 gray 6 pole
16	1	MPKB02	Tussenkabel B 2 m grijs 6 polig	Intermediate cable A 2 m gray 6 pole
		MPKB04	Tussenkabel B 4m grijs 6 polig	Intermediate cable B 4 m gray 6 pole
		MPKB06	Tussenkabel B 6m grijs 6 polig	Intermediate cable B 6 m gray 6 pole
		MPKB12	Tussenkabel B 12m grijs 6 polig	Intermediate cable B 12 m gray 6 pole



pos.	qty	part	benaming	description
1	1	STM9292	Dynamo 110A-12V 1p	Alternator 110A-12V 1p
2	1	STM7624	Dynamo-motorsteun	Alternator-engine support
3	4	STM4003	Veerring M12	Spring washer M12
4	4	STM7667	Bout M12x1,25x25	Bolt M12x1,25x25
5	1	STM7641	Kraagbus	Collar bushing
6	1	STM2022	Gegolfde veerring M10	Wavespring washer M10
7	1	STM7642	Bout M10x120	Bolt M10x120
8	1	STM7625	V-snaar schijf	Pulley
9	3	STM4014	Veerring M10	Spring washer M10
10	3	STM4013	Bout M10x1,25x30	Bolt M10x1,25x30
11	1	STM7444	V-snaar AVX 10 x 1005 la (spz)	V-belt AVX 10 x 1005 la (spz)
12	1	STM7623	Spansteun	Tensioner bracket
13	2	STM1653	Vulring	Spacer
14	1	STM4619	Ring M8	Washer M8
15	2	STM1056	Veerring M8	Spring washer M8
16	1	STM2005	Moer M8	Nut M8



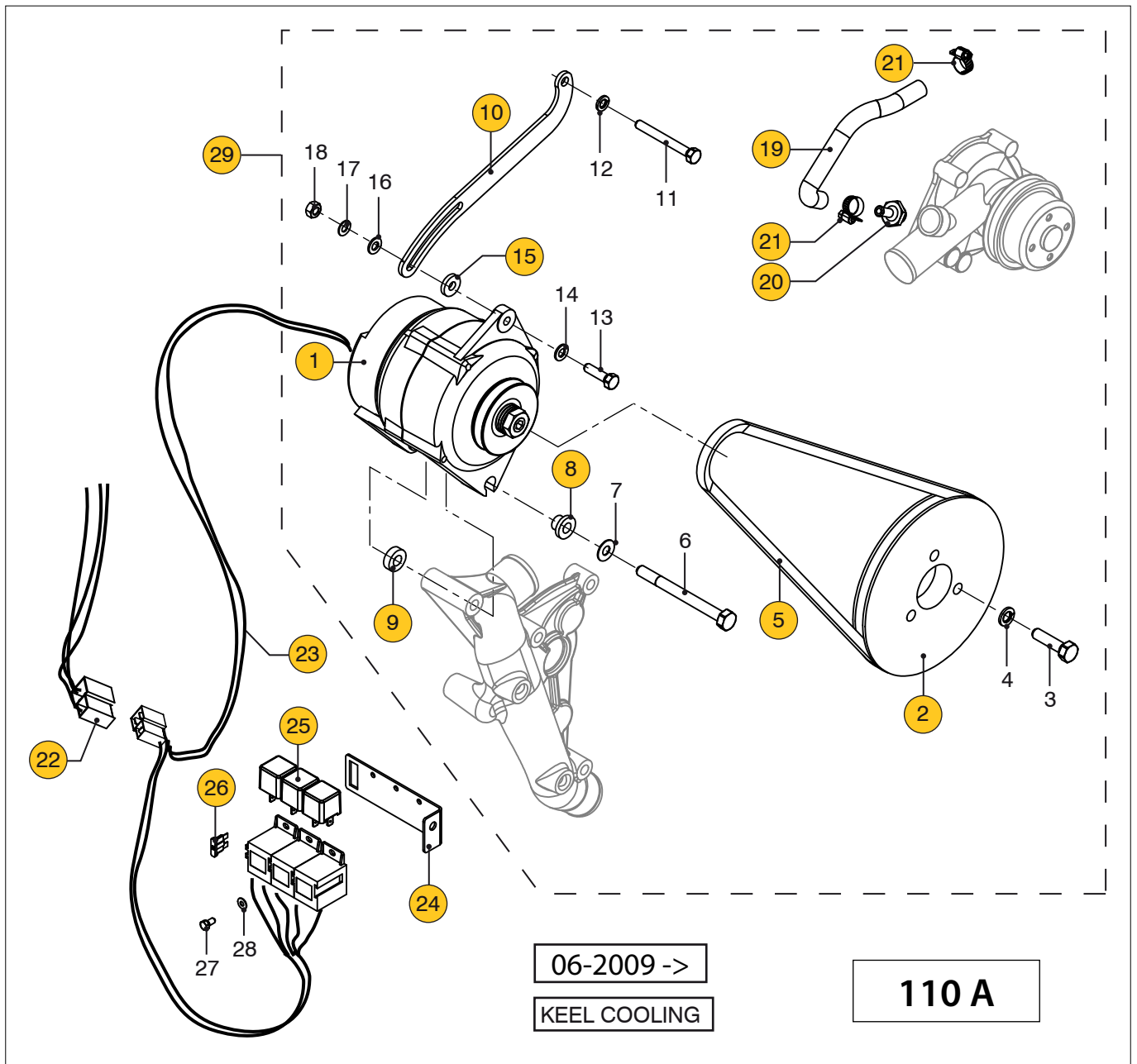
M4.15

M4.17

**Dynamo 12V-110A 1p 2e dynamo, kielkoeling 06-2009<-**

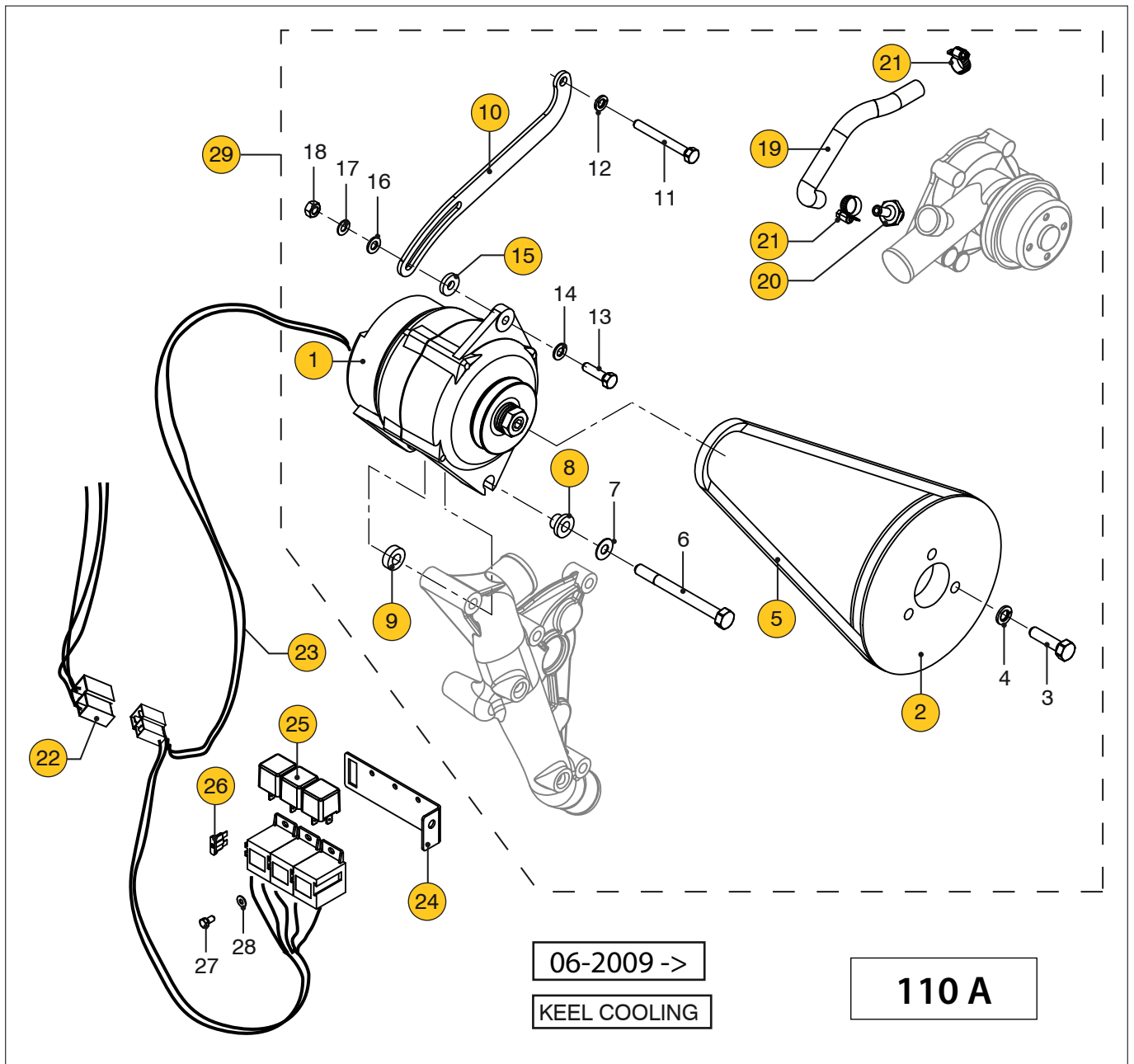
**Alternator 12V-110A 1p 2nd alternator, keel-cooling 06-2009<-**

pos.	qty	part	benaming	description
17	1	STM1610	Bout M8x25	Bolt M8x25
18	1	STM4612	Relais steun	Relay support
19	2	STM1025	Gegolfde veerring M6	Wave spring washer M6
20	2	STM1024	Bout M6x15	Bolt M6x15
21	1	STM6991	Bedrading 2e dynamo	Wiring 2e alternator
22	2	CT40075	Bout M5x16	Bolt M5x16
23	2	STM6159	Zelfborgende moer M5	Nyloc nut M5
24	3	STM9050	Relais	Relais
25	1	08-01420	ATO Zekering 10A	ATO Fuse 10A
26	1	STM4611	Deksel	Cover
27	1	STM7591	Sticker	Sticker
28	1	STM6990	Motor bedrading 7649+6991	Engine wiring 7649+6991
29	1	STM6995	Set extra dynamo	Set 2nd alternator
30	1	STM9862	Motorbedrading standaard	Engine wiring standard



pos.	qty	part	benaming	description
1	1	STM9292	Dynamo 12V-110A 1p.	Alternator 12v-110A 1p.
2	1	STM7625	V-snaar schijf dw=176	Pulley dw=176
3	3	STM3688	Bout M10x1,25x40	Bolt M10x1,25x40
4	3	STM4014	Veerring M10	Spring washer M10
5	1	STM9858	V-snaar AVX10x1113la (spz)	V-belt AVX10x1113la (spz)
6	1	STM7642	Bout M10x120	M10x120
7	1	STM2022	Gegolfde veerring M10	Wave spring washer M10
8	1	STM7641	Kraagbus	Collar bushing
9	1	STM9855	Bus 22x10,5 d=7	Bush 22x10,5 d=7
10	1	STM9856	Spansteun	Tensioner Bracket
11	1	STM6562	Bout M8x70	Bolt M8x70
12	1	STM1056	Veerring M8	Spring washer M8
13	1	STM7059	Bout M8x30	Bolt M8x30
14	1	STM1653	Sluitring M8	Ring M8
15	1	CT30059	Bus d=4	Spacer d=4
16	1	STM3749	Ring	Washer

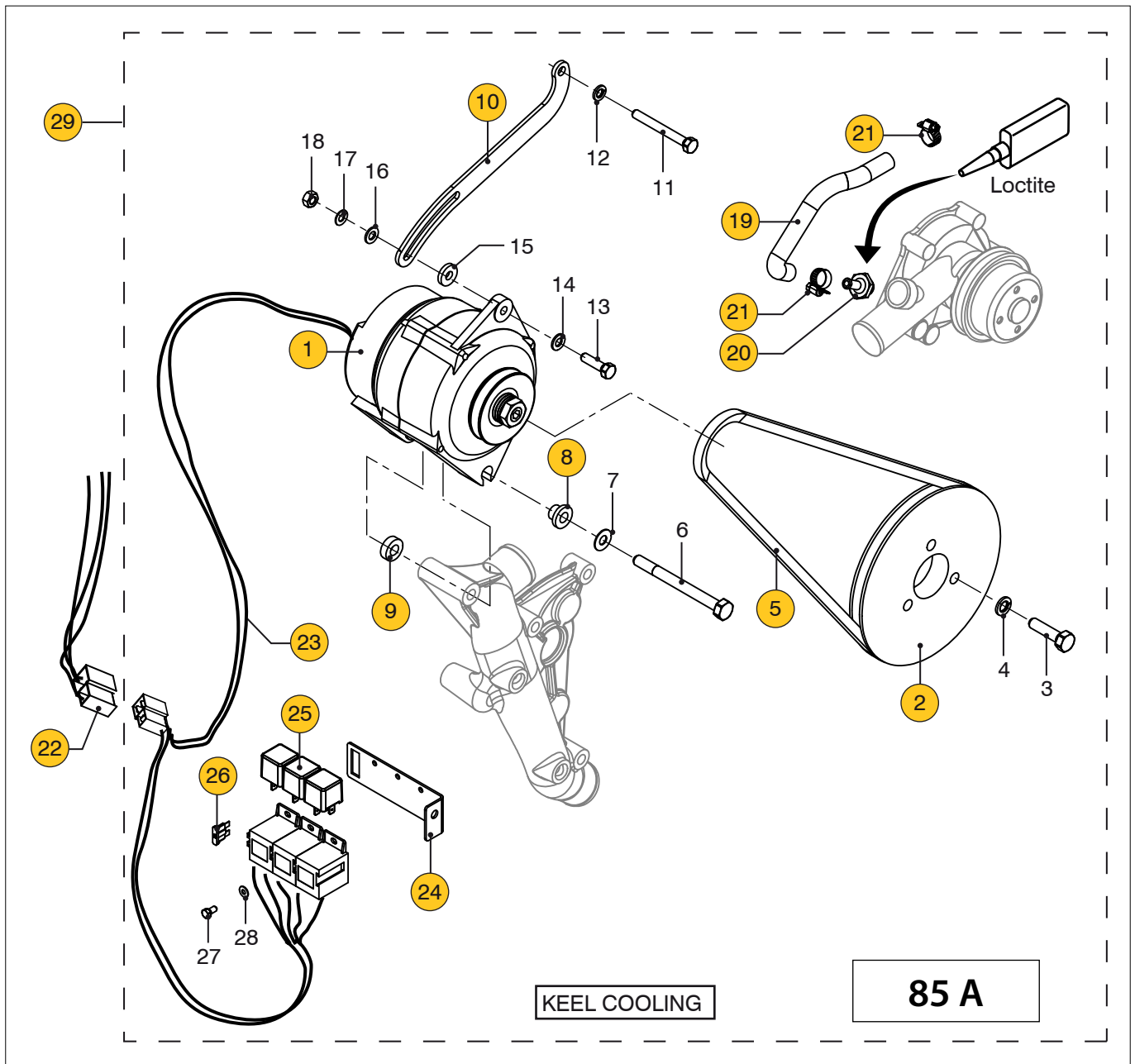




06-2009 ->  
KEEL COOLING

110 A

pos.	qty	part	benaming	description
17	1	STM1019	Gegolfde veerring M8	Wave spring washer M8
18	1	STM2005	Moer M8	Nut M8
19	1	STM9440	Slang	Hose
20	1	SLP3/815	Slangpilaar	Hose pilar
21	2	HCS08	Slangklem	Hose clamp
22	1	08-01333	Motor bedrading	Motor wiring
23	1	08-01335	Bedrading	Wiring
24	1	STM9861	Relaissteun	Relay support
25	3	STM9050	Relais	Relais
26	1	08-01420	ATO Zekering 10A	ATO Fuse 10A
27	3	STM9063	Bout M5x10	Bolt M5x10
28	3	STM7294	Gegolfde veerring M5	Wave spring washer M5
29	1	STM9805	Set 2e dynamo 110 A	Set 2nd alternator 110 A

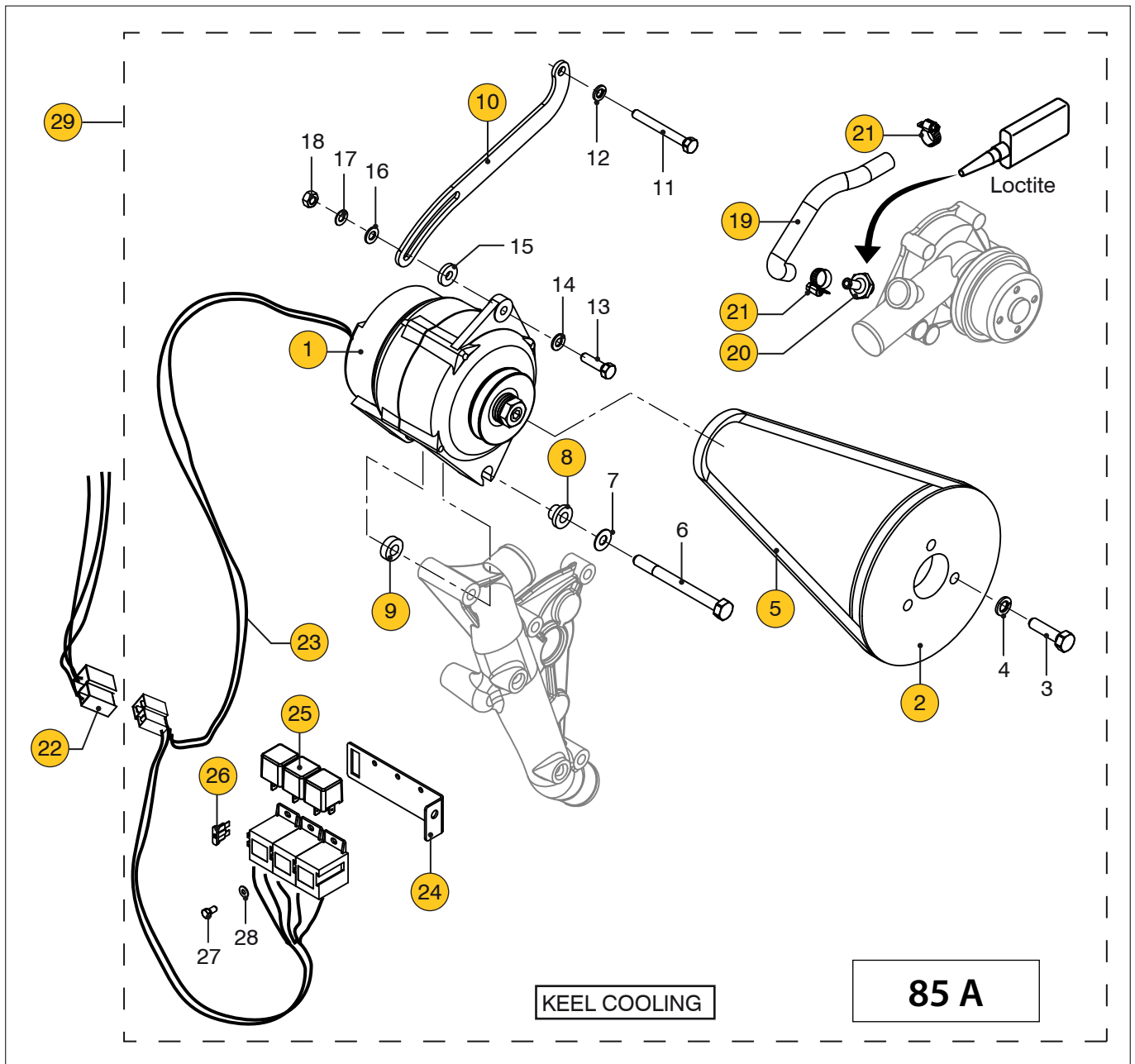


**M4.15**   **M4.17**  
**M4.35**   **M4.45**

**Tweede dynamo 12 V - 85 A, 1p.**

**Extension alternator 12 V - 85 A, 1p.**

pos.	qty	part	benaming	description
1	1	19-17663	Dynamo 12V-85A-1p	Alternator 12V-85A-1p
2	1	STM7625	V-snaarschijf dw=176	Pulley dw=176
3	3	STM3688	Bout M10x1,25x40	Bolt M10x1,25x40
4	3	STM4014	Veerring M10	Spring washer M10
5	1	STM9858	V-snaar AVX10x1113la (spz)	V-belt AVX10x1113la (spz)
6	1	STM7642	Bout M10x120	Bolt M10x120
7	1	STM2022	Sluistring M10	Ring M10
8	1	STM7641	Kraagbus	Collar bushing
9	1	STM9855	Bus 22x10,5 d=7	Bush 22x10,5 d=7
10	1	STM9856	Spansteun	Tensioner bracket
11	1	STM6562	Bout M8x70	Bolt M8x70
12	1	STM1056	Veerring M8	Spring washer M8
13	1	STM7059	Bout M8x30	Bolt M8x30
14	1	STM1659	Sluistring M8	Washer M8
15	1	CT30059	Bus d=4	Bush d=4
16	1	STM3749	Ring	Washer



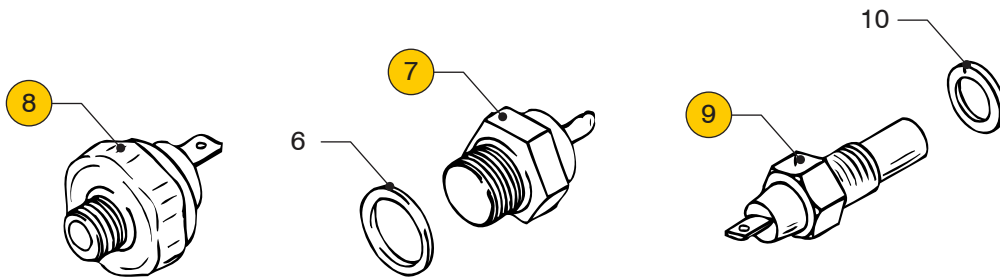
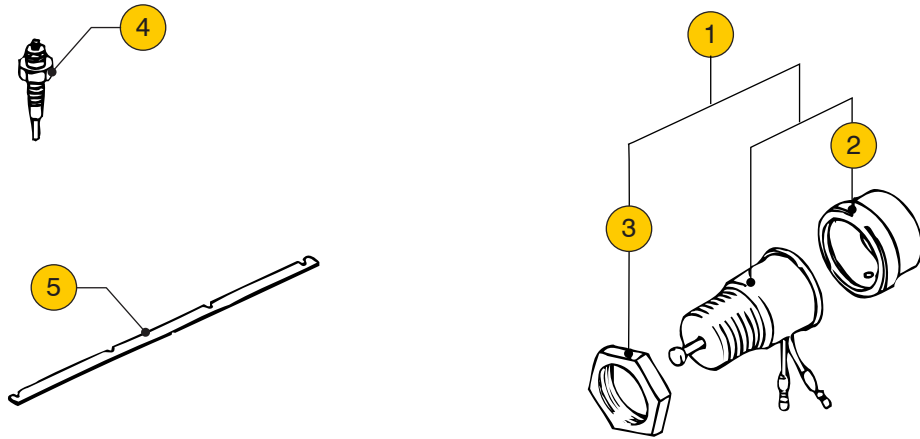
**M4.15**  
**M4.35**

**M4.17**  
**M4.45**

**Tweede dynamo 12 V - 85 A, 1p.**

**Extension alternator 12 V - 85 A, 1p.**

pos.	qty	part	benaming	description
17	1	STM1019	Gegolfde veerring M8	Wave spring washer M8
18	1	STM2005	Moer M8	Nut M8
19	1	STM9440	Slang	Hose
20	1	SLP3/815	Slangpilaar	Hose pilar
21	2	HCS08	Slangklem	Hose clamp
22	1	08-01333	Motorbedrading	Engine wiring
23	1	08-01335	Adapterkabel tweede dynamo 75A + 110A	Adapter wiring second alternator 75A + 110A
24	1	STM9861	Relaissteun	Relais support
25	3	STM9050	Relais	Relais
26	1	08-01420	ATO zekering 10A	ATO Fuse 10A
27	3	STM9063	Bout M5x10	Bolt M5x10
28	3	STM7294	Gegolfde veerring M5	Wave spring washer M5
29	1	08-01338	Set 2e dynamo 85 A	Set 2nd alternator 85 A



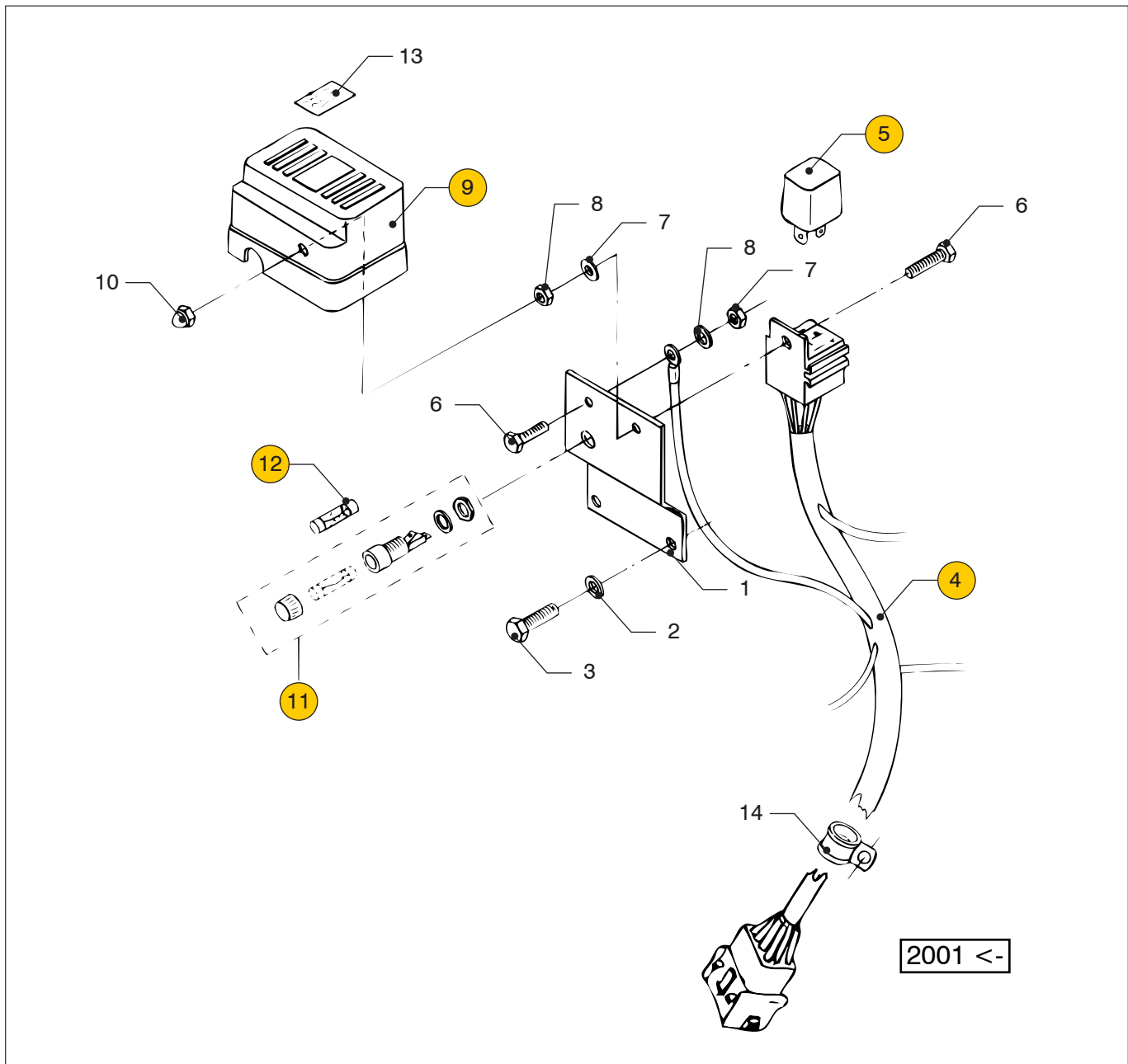
M4.15  
M4.35

M4.17  
M4.45

Zenders + schakelaars

Sender units + switches

pos.	qty	part	benaming	description
1	1	STM2740	Stopmagneet cpl.	Solenoid cpl.
2	1	STM3650	Rubber kap	Rubber cap
3	1	STM2742	Moer	Nut
4	4	STM7931	Gloeibougje	Glow plu
5	1	STM7932	Strip	Plate
6	1	STM6269	Afdichtring M16	Seal washer M16
7	1	STM7999	Temp. schak. koelvl.st. 105 °C M16x1,5 1p	Temp. switch coolant 105 °C M16x1.5 1p
8	1	STM7834	Oliedrukschakelaar M10x1k 1p	Oil pressure switch M10x1k 1p
9	1	STM2006	Temp.schak. uitlaat 75°C M18x1,5 1p	Temp. switch exhaust 75°C M18x1.5 1p
10	1	STM2019	Afdichtring	Seal washer



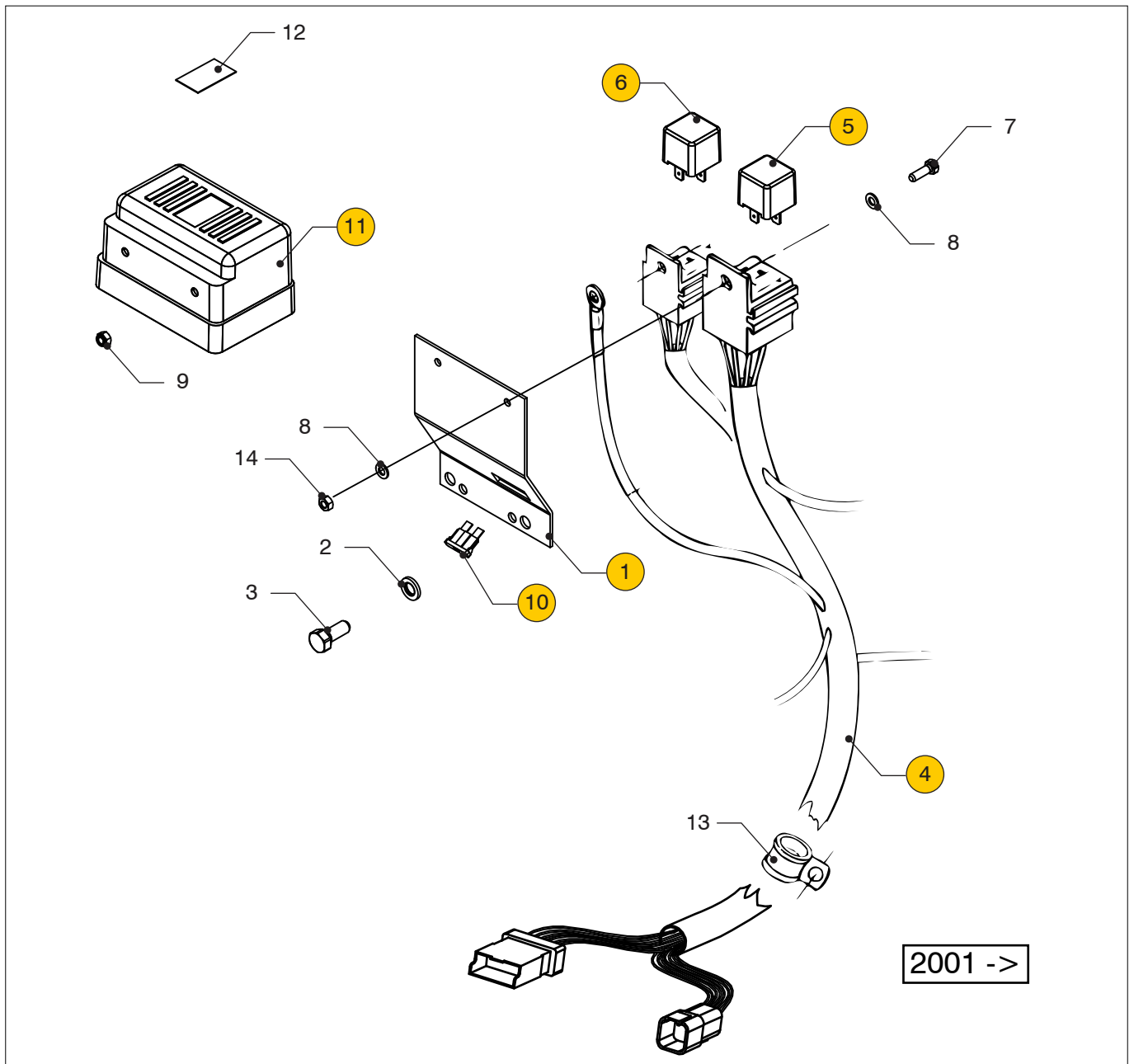
M4.15

M4.17

Bedradingskast, 2001 <-

Terminal box, 2001 <-

pos.	qty	part	benaming	description
1	1	STM6412	Bedradingssteun	Wiring support
2	2	STM1019	Gegolfde veerring M8	Wave spring washer M8
3	2	STM3355	Bout M8x1,25x20	Bolt M8x1.25x20
4	1	STM9862	Motorbedrading	Engine wiring
5	1	STM9043	Relais 12V-70A	Relais 12V-70A
6	2	STM9062	Bout M5x0,8x20	Bolt M5x0.8x20
7	2	STM8177	Gegolfde veerring M5	Wave spring washer M5
8	3	STM1705	Moer M5	Nut M5
9	1	STM6248	Deksel	Cover
10	1	STM6159	Zelfborgende moer M5	Nyloc nut M5
11	1	STM9184	Zekeringhouder	Fuse support
12	1	STM9185	Glaszekering 10A traag ø6,3x32mm	Glass fuse 10A slow ø6,3x32mm
13	1	STM7591	Sticker	Sticker
14	1	STM3066	Klem	Clamp



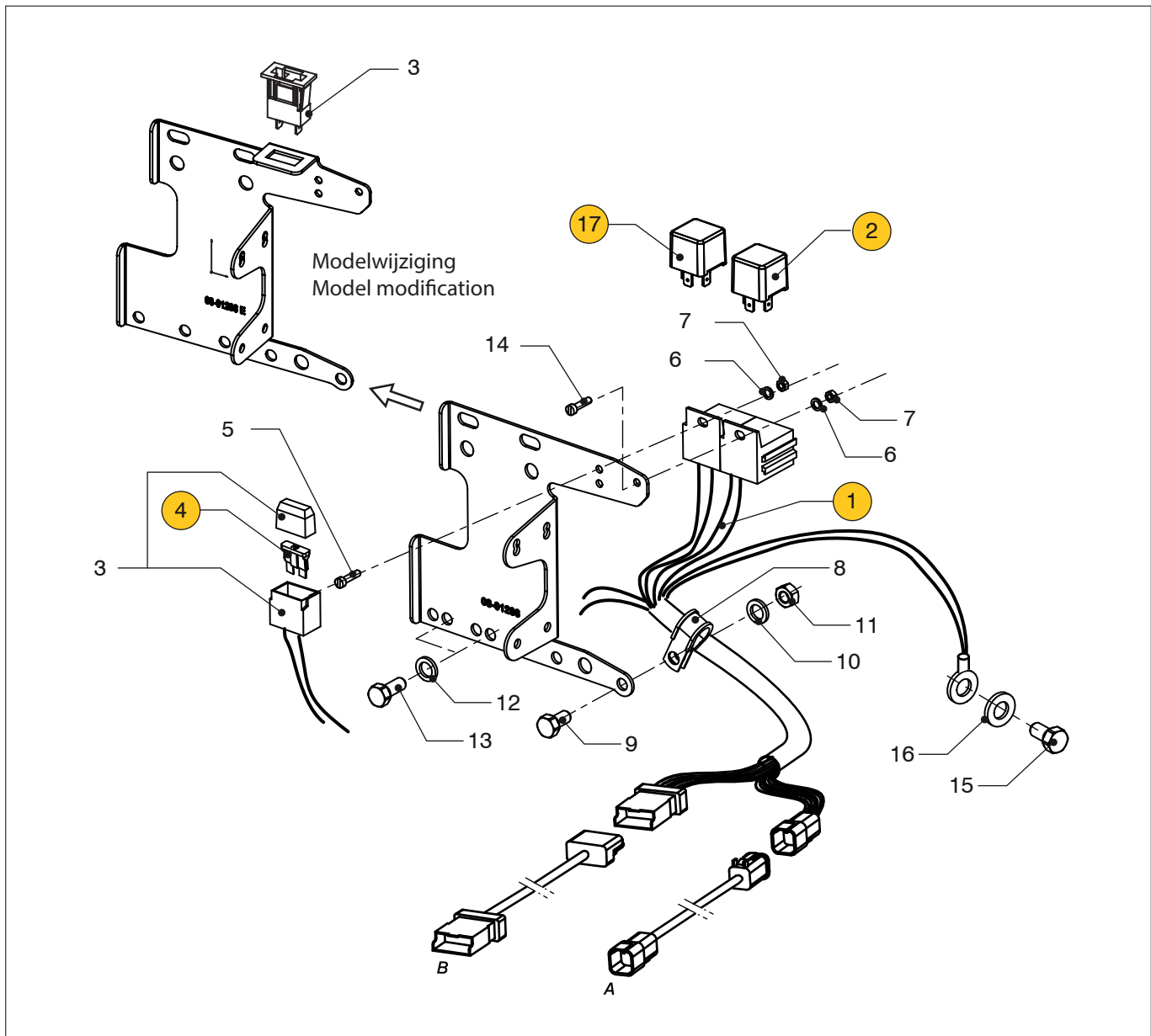
M4.15

M4.17

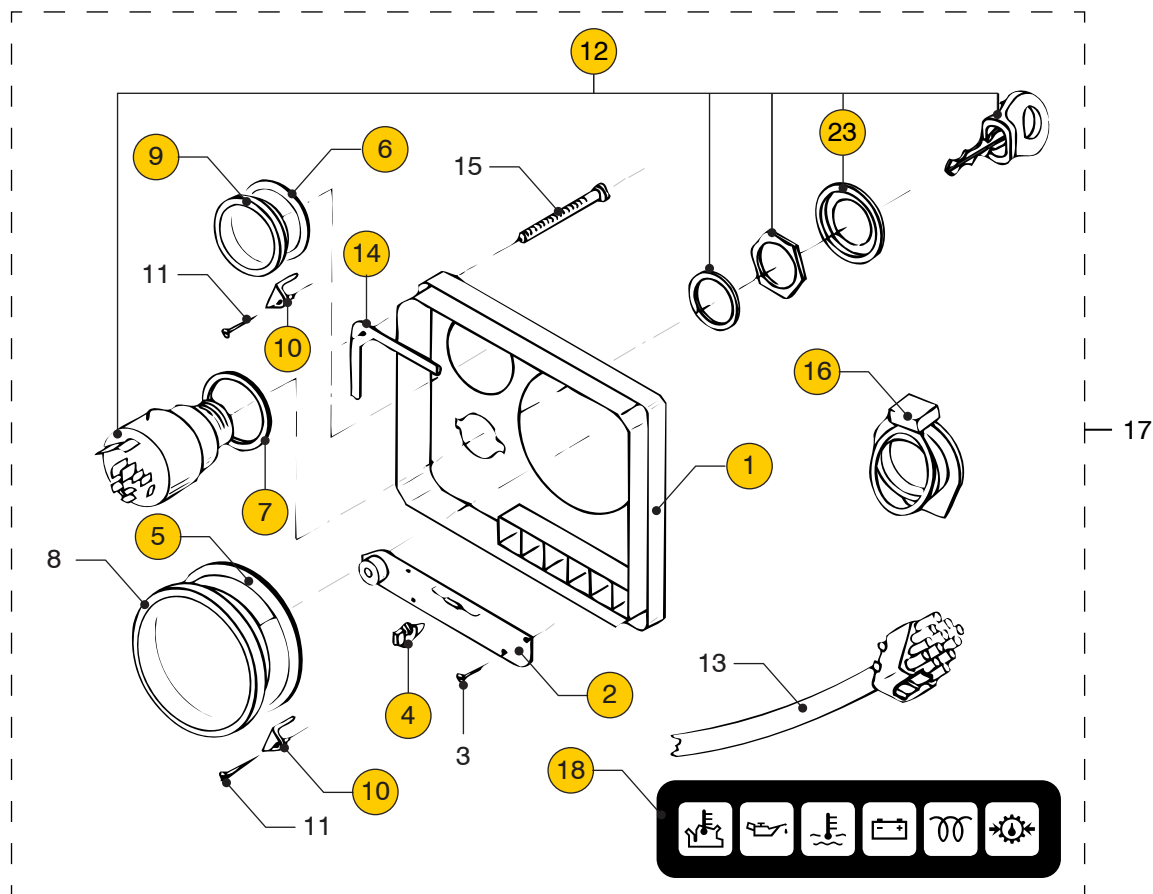
Bedradingskast, 2001 ->

Terminal box, 2001 ->

pos.	qty	part	benaming	description
1	1	STM4612	Bedradingssteun	Wiring support
2	2	STM1056	Veerring M8	Spring washer M8
3	2	STM3355	Bout M8x20	Bolt M8x20
4	1	STM9862	Motorbedrading 110 A dynamo 06-2009 ->	Engine wiring 110 A alternator 06-2009 ->
5	1	STM9050	Relais 12V-30A	Relay 12V-30A
6	1	STM9043	Relais 12V-70A	Relay 12V-70A
7	2	CT40075	Bout M5x16	Bolt M5x16
8	4	STM8177	Gegolfde veerring M5	Wave spring washer M5
9	2	STM6159	Zelfborgende moer M5	Nyloc nut M5
10	1	08-01420	ATO steekzekering 10A	ATO fuse 10A
11	1	STM4611	Deksel	Cover
12	1	STM7591	Sticker	Sticker
13	1	STM3066	Klem	Clamp
14	2	STM1705	Moer M5	Nut M5



		Motorbedrading	Engine wiring
pos.	qty	M4.35 M4.45 part	benaming description
1	1	08-01333	Motorbedrading 110A Engine wiring 110A
2	1	STM9050	Relais 12V-30A Relay 12V-30A
3	1	08-01290	Zekering houder <- 11-2021 Fuse holder <- 11-2021
	1	21-21242	Zekering houder 11-2021 -> Fuse holder 11-2021 ->
4	1	08-01420	Steek zekering ATOF 20A ATOF fuse 20A
5	1	08-01303	Schroef M4x16 Screw M4x16
6	2	CT40042	Gegolfde veerring M4 Wave spring washer M4
7	2	STM9113	Zelfborgende moer M4 Nyloc nut M4
8	1	STM4593	Klem Ø 14 Clamp Ø 14
9	1	STM3355	Bout M8x20 Bolt M8x20
10	1	STM1019	Gegolfde ring M8 Wave spring washer M8
11	1	STM2005	Moer M8 Nut M8
12	2	STM1019	Gegolfde veerring M8 Wave spring washer M8
13	2	STM4055	Bout M8x16 Bolt M8x16
14	1	STM9798	Bout M5x8 Bolt M5x8
15	1	STM7053	Bout M12x1,25x30 Bolt M12x1,25x30
16	1	STM8210	Sluitering M12 Washer M12
17	1	STM9043	Relais 12 V - 70 A Relay 12 V - 70 A



M4.15

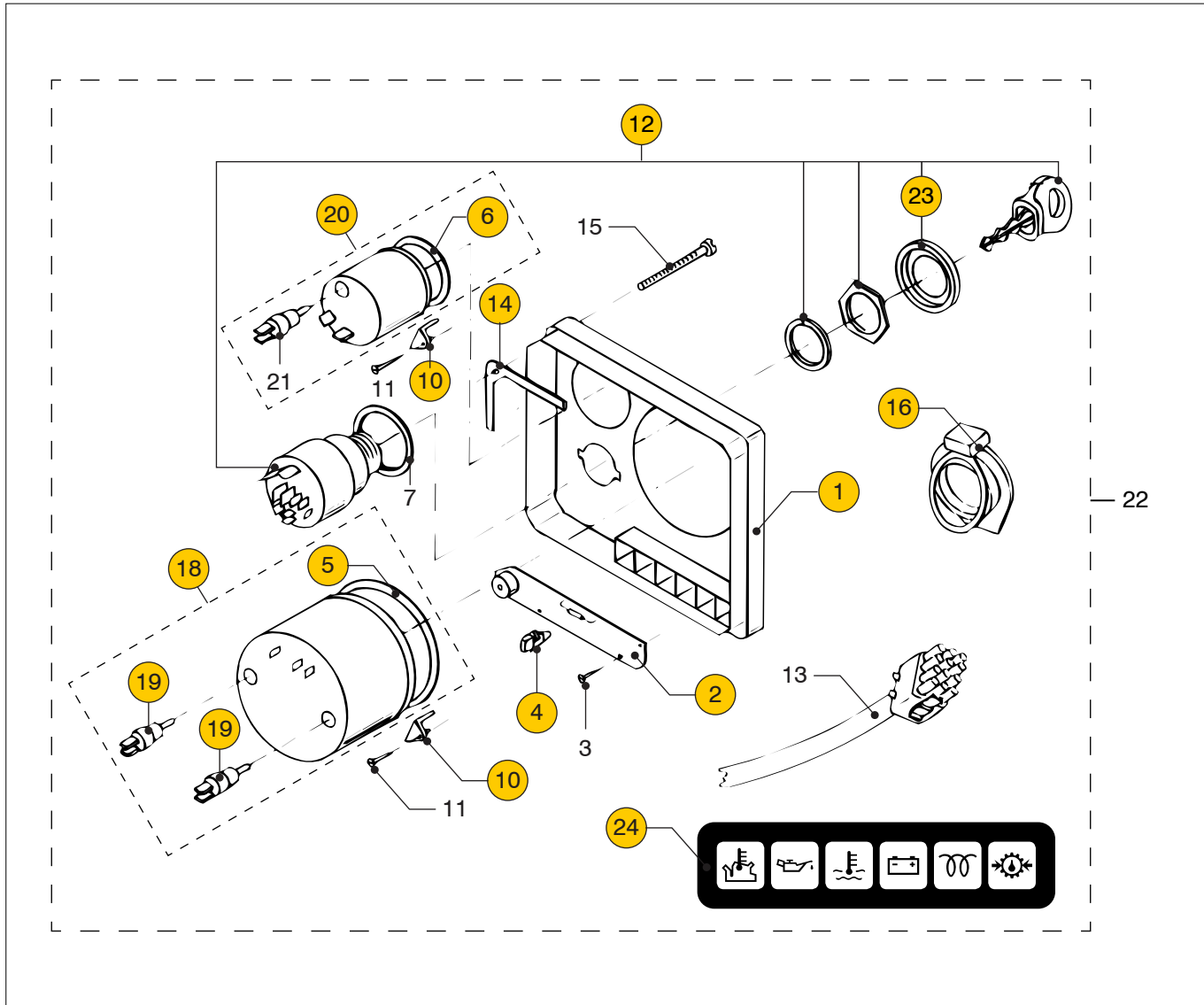
M4.17

Instrumenten paneel '20' standaard 2001 <-

Instrument panel '20' standard 2001 <-

pos.	qty	part	benaming	description
1	1	STM9186	Paneel	Panel
2	1	STM9168	Print cpl.	Print cpl.
3	4	P2295RKP	Plaatschroef	Screw
4	6	STM9169	Gloeilamp 12V.	Bulb 12V.
5	1	STM9170	Pakking	Gasket
6	1	STM9171	Pakking	Gasket
7	1	STM9172	Pakking	Gasket
8	1	STM9173	Blindplaat ø98	Blind plate ø98
9	1	PA6493	Blindplaat ø48	Blind plate ø48
10	6	PA6488	Beugel	Support
11	6	P35164RKP	Plaatschroef	Screw
12	1	STM9215	Contactslot + sleutel	Ignition + key
13	1	STM9164	Paneelbedrading	Panel wiring
14	1	STM6982	Pakking	Gasket
15	4	P35254ZKP	Plaatschroef	Screw
16	1	STM9188	Contactslot deksel	Ignition cover
17	1	STM9187	Paneel zonder instrumenten	Panel without instruments
18	1	FFMP23	Front folie	Front foil
23	1	STM9888	Kap	Cover





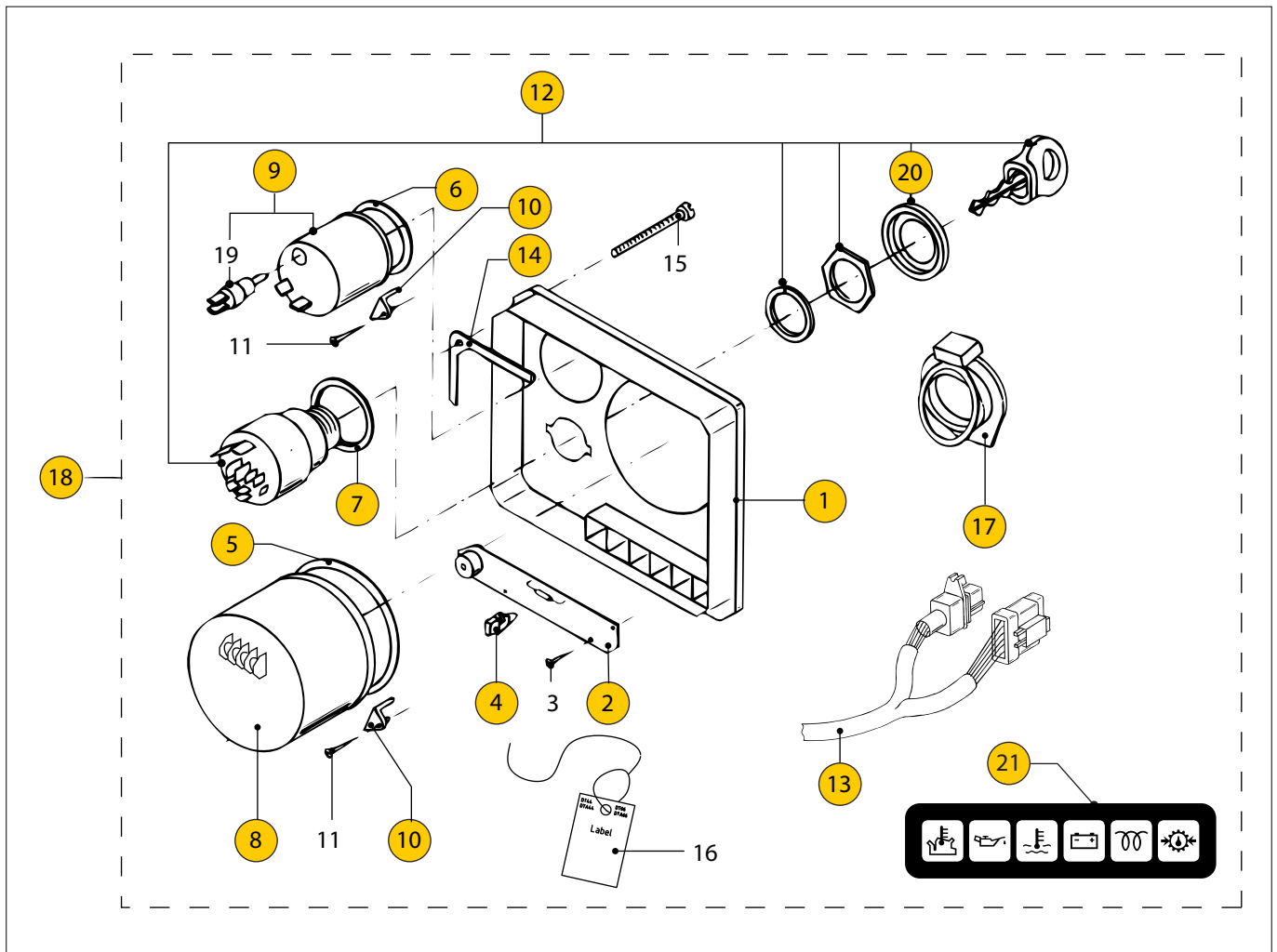
M4.15

M4.17

Instrumenten paneel '22' standaard 2001<-

Instrument panel '22' standard 2001<-

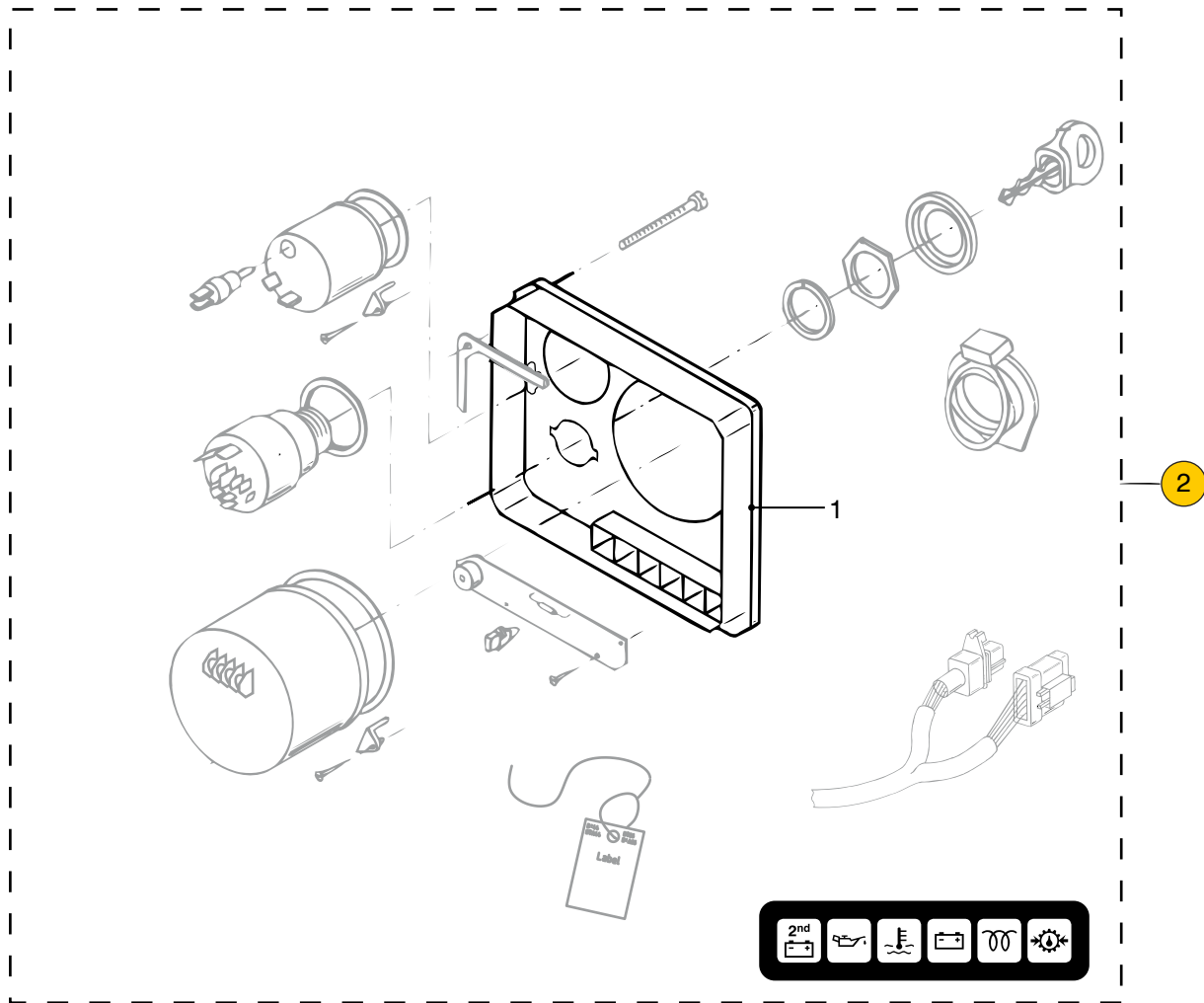
pos.	qty	part	benaming	description
1	1	STM9186	Paneel	Panel
2	1	STM9168	Print cpl.	Print cpl.
3	4	P2295RKP	Plaatschroef	Screw
4	6	STM9169	Gloeilamp 12V.	Bulb 12V.
5	1	STM9170	Pakking	Gasket
6	1	STM9171	Pakking	Gasket
7	1	STM9172	Pakking	Gasket
10	6	PA6488	Beugel	Support
11	6	P35164RKP	Plaatschroef	Screw
12	1	STM9215	Contactslot + sleutel	Ignition + key
13	1	STM9164	Paneelbedrading	Panel wiring
14	1	STM6982	Pakking	Gasket
15	4	P35254ZKP	Plaatschroef	Screw
16	1	STM9188	Contactslot deksel	Ignition cover
18	1	TACHB4000	Toerenteller 4000rpm	Tacho meter 4000rpm
19	2	SET40131	Gloeilamp 12V.	Bulb 12V.
20	1	VOLT....	Voltmeter	Volt meter
21	1	CT40133	Gloeilamp 12V.	Bulb 12V.
22	1	STM9191	Paneel incl.instrumenten	Panel incl.instruments
23	1	STM9888	Kap	Cover
24	1	FFMP23	Front folie	Front foil



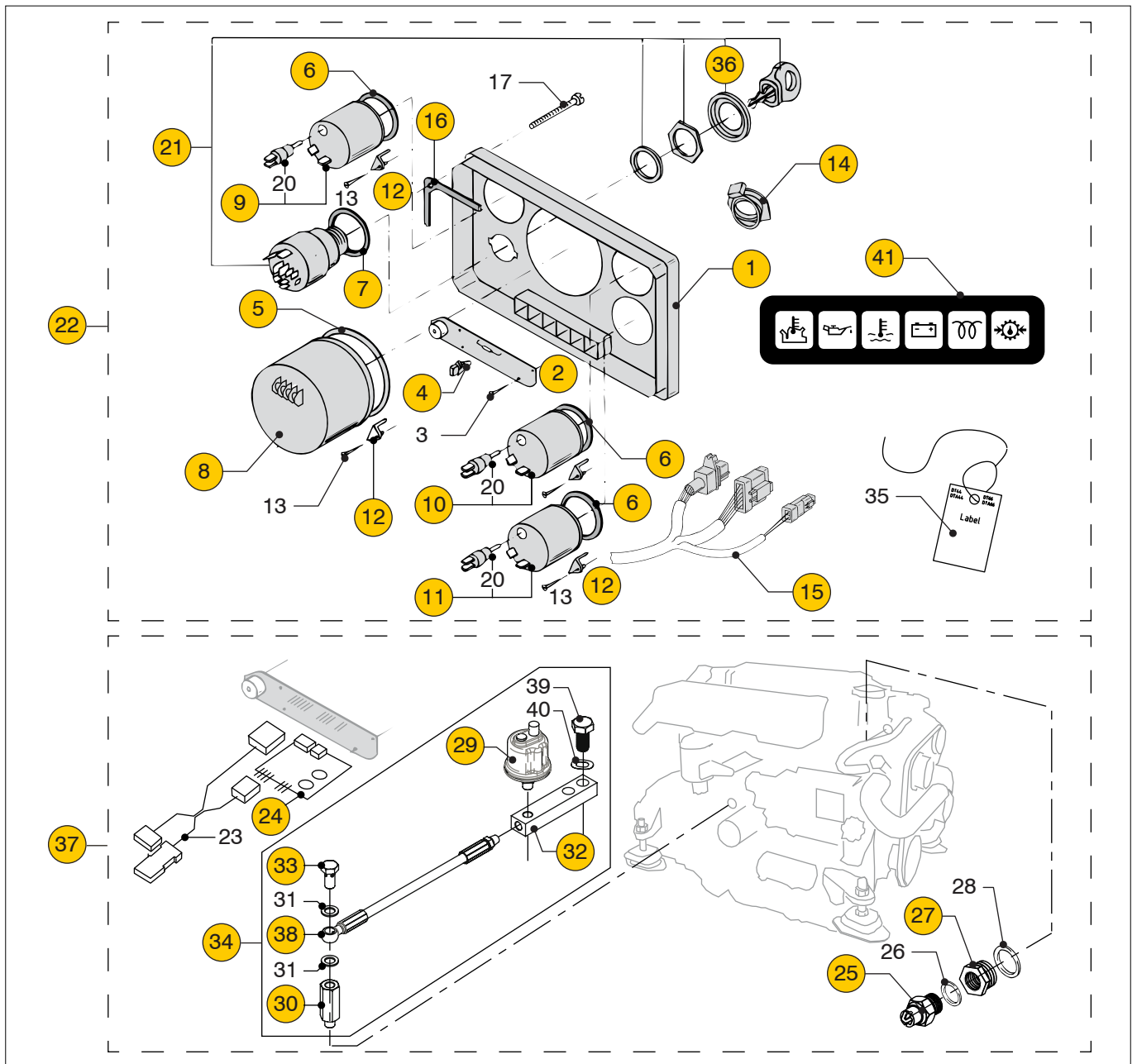
M4.15 M4.17 Instrumenten paneel '22' standaard 2001 ->

Instrument panel '22' standard 2001 ->

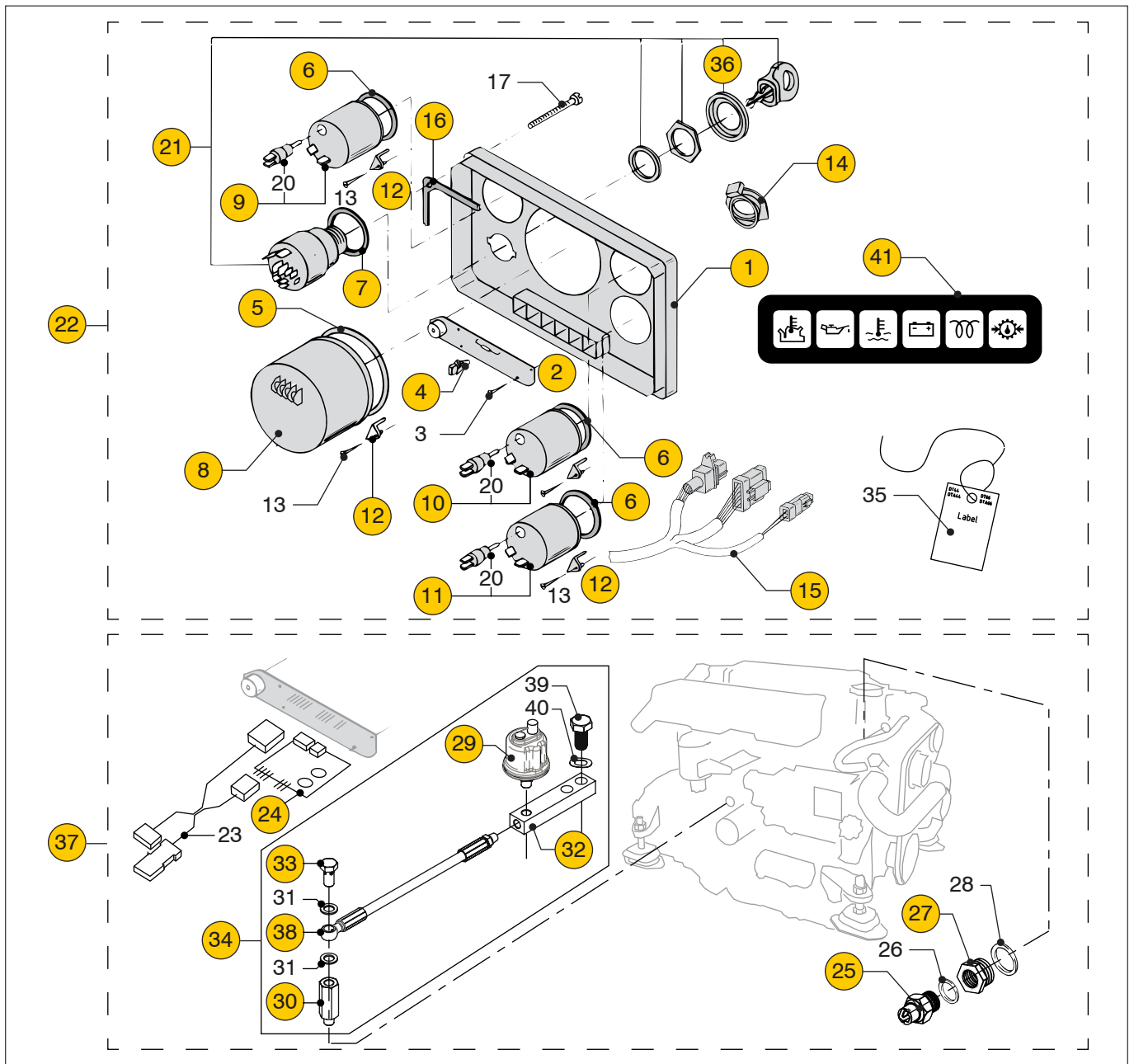
pos.	qty	part	benaming	description
1	1	STM9186	Paneel incl. frontfolie	Panel incl. overlay
2	1	08-01351	Print MP20, 21, 22 cpl. 12 V	PCB MP20, 21, 22 cpl. 12 V
3	4	P2295RKP	Plaatschroef	Screw
4	6	STM9169	Gloeilamp 12 V	Bulb 12 V
5	1	STM9170	Pakking	Gasket
6	1	STM9171	Pakking	Gasket
7	1	STM9172	Pakking	Gasket
8	1	TACHB4000	Toeren/urenteller, zwart, 0-4000 rpm	Tachometer/hour counter, black, 0-4000 rpm
9	1	VOLT....	Voltmeter, zwart, 12 V	Voltmeter, zwart, 12 V
10	6	PA6488	Beugel	Bracket
11	6	P35134RKP	Plaatschroef	Screw
12	1	STM9215	Contactslot + sleutel	Key switch + key
13	1	MP35374	Paneelbedrading	Wiring
14	1	STM9180	Pakking	Gasket
15	4	P35254ZKP	Plaatschroef	Screw
16	1	STM9731	Label 'Afregele toerenteller'	Label 'Adjusting tachometer'
17	1	STM9188	Contactslot deksel	Key switch cover
18	1	MP22.....	Instr.paneel cpl. zwarte instr. 0-4000 rpm 12 V	Instr.panel cpl. black instr. 0-4000 rpm 12 V
	1	MP22.....	Instr.paneel cpl. beige instr. 0-4000 rpm 12 V	Instr.panel cpl. beige instr. 0-4000 rpm 12 V
19	1	CT40133	Gloeilamp 12 V	Bulb 12 V
20	1	STM9888	Kap	Cover
21	1	FFMP23	Front folie	Front foil



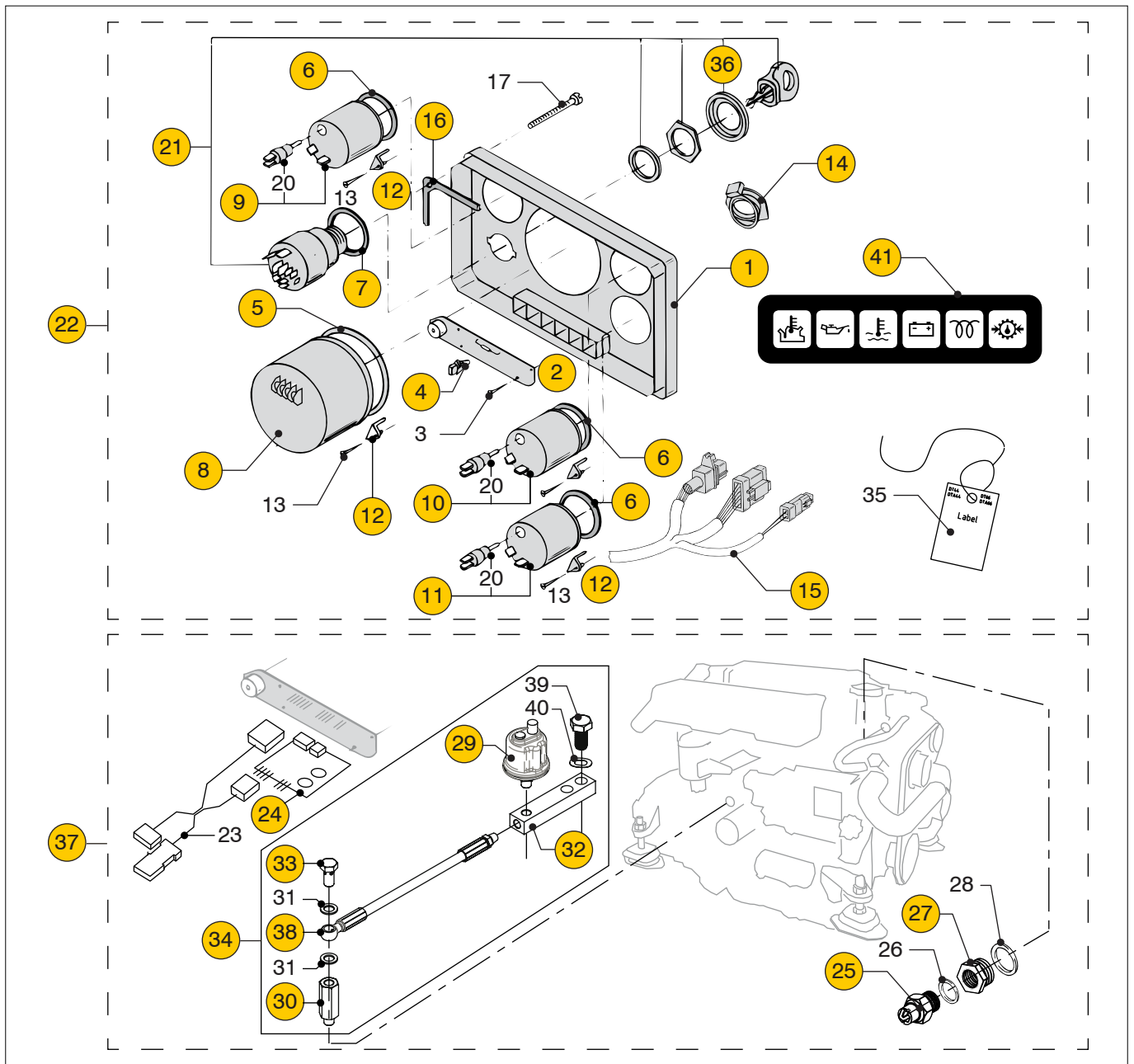
pos.	qty	part	benaming	description
1	1	STM6993	Paneel incl. fr.folie met 2 x laadcont. symbool	Panel incl. overlay w. 2 x batt.charging symb.
2	1	MP22KBS12D	Instr.paneel cpl. zwarte instr. 0-4000 rpm 12 V	Instr.panel cpl. black instr. 0-4000 rpm 12 V



	M4.15 M4.35	M4.17 M4.45	Instr. paneel model '34'	Instr. panel model '34'
pos.	qty	part	benaming	description
1	1	STM6571	Paneel incl. fr.folie	Panel incl. overlay
2	1	08-01351	Print MP34 cpl. 12 V	PCB MP34 cpl. 12 V
3	4	P2295RKP	Plaatschroef	Screw
4	6	STM9169	Gloeilamp 12 V	Bulb 12 V
5	1	STM9170	Pakking	Gasket
6	3	STM9171	Pakking	Gasket
7	1	STM9172	Pakking	Gasket
8	1	TACHB4000	Toeren/urenteller, zwart, 0-4000 rpm	Tachometer/hour counter, black, 0-4000 rpm
9	1	VOLT...	Voltmeter, zwart, 12 V	Voltmeter, black, 12 V
10	1	TEMPB	Temperatuurmeter, zwart, 40-120°C 12 V	Temperature gauge, black, 40-120°C, 12 V
11	1	OIL...	Oliedrukmeter, zwart, 0-8 bar, 12 V	Oil pressure gauge, black, 0-8 bar, 12 V
12	6	PA6488	Beugel	Bracket
13	6	P35134RKP	Plaatschroef	Screw
14	1	STM9188	Contactslot deksel	Key switch cover
15	1	MP35374	Paneelbedrading	Wiring
16	1	STM9181	Pakking	Gasket



	M4.15 M4.35	M4.17 M4.45	Instr. paneel model '34'	Instr. paneel model '34'
pos.	qty	part	benaming	description
17	4	P35254ZKP	Plaatschroef	Screw
18	2	SET40131	Gloeilamp 12 V	Bulb 12 V
20	1	CT40133	Gloeilamp 12 V	Bulb 12 V
21	1	STM9215	Contactslot + sleutel	Key switch + key
22	1	MP34KBS2	Instr.paneel cpl. zwarte instr. 0-4000 rpm 12 V	Instr.panel cpl. black instr. 0-4000 rpm 12 V
23	1	STM6955	Verlooptkabel (MPVB2)	Cable (MPVB2)
24	1	STM6911	Interface	Interface
25	1	TEMPSR120	Binnenwater temperatuur zender M14x1,5 12-24 V 40-120°C	Temp. sender coolant M14x1,5 12-24 V 40-120°C
26	1	STM1062	Afdichtring	Seal
27	1	AD14-16	Verloop	Adaptor
28	1	STM6269	Afdichtring	Seal
29	1	OILSR08	Oliedrukszender	Sender oil pressure
30	1	19-18406	Verloop	Adaptor
31	2	STM2018	Afdichtring	Seal
32	1	19-18317	Verloopblok	Adaptor block

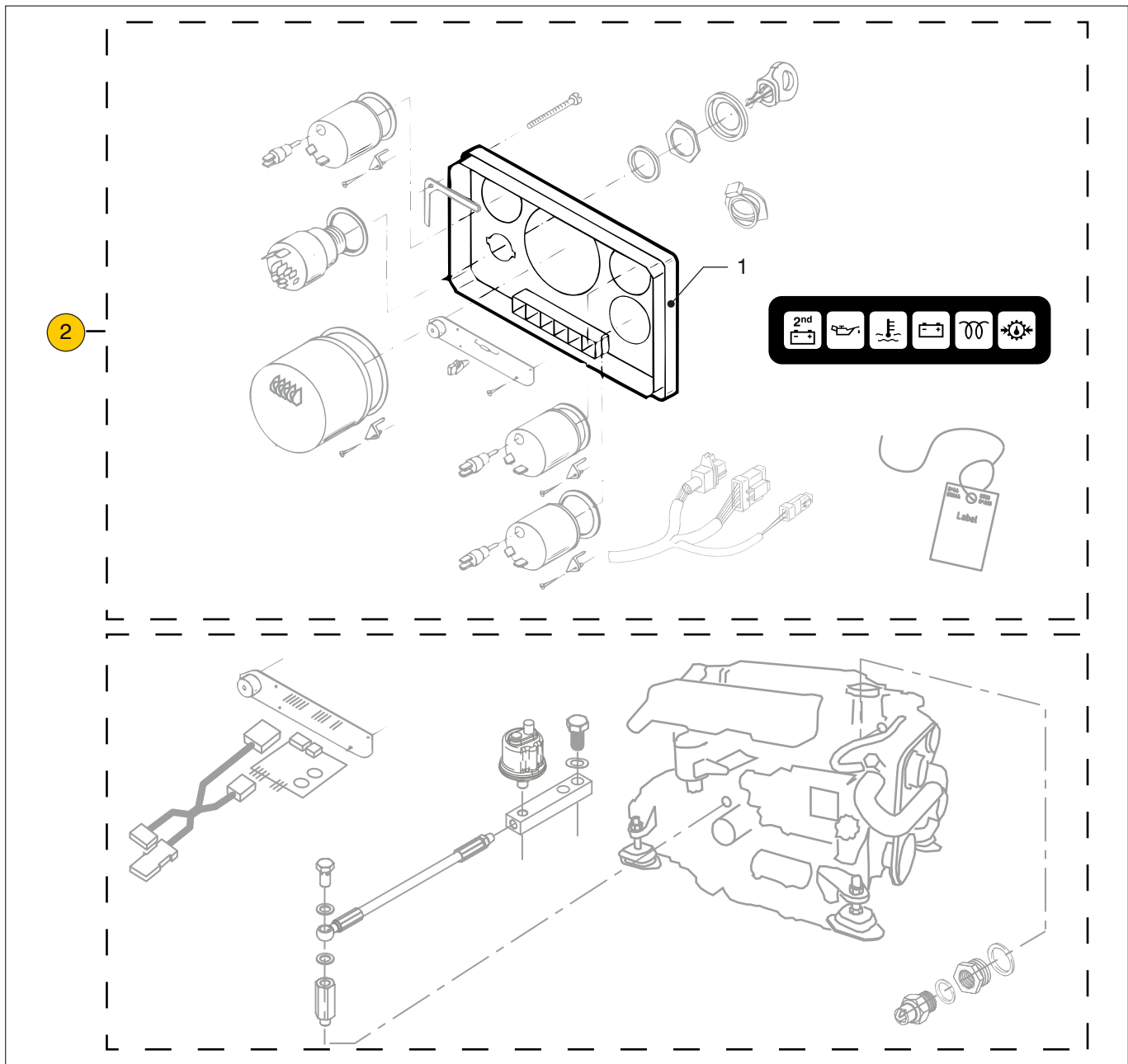


**M4.15** **M4.17**  
**M4.35** **M4.45**

**Instr. paneel model '34'**

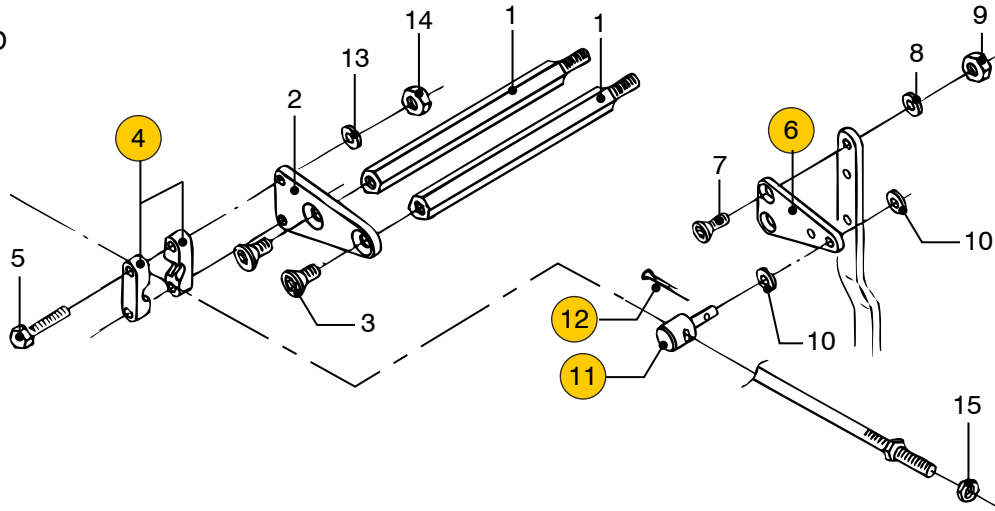
**Instr. panel model '34'**

pos.	qty	part	benaming	description
33	1	19-18509	Holbout	Hollow bolt
34	1	19-18418	Verloopset	Adaptor set
35	1	STM9731	Label 'Afregele toerenteller'	Lable 'Adjusting tachometer'
36	1	STM9888	Kap	Cover
37	1	STM6961	Set uitgebreid paneel	Set extended panel
38	1	19-18417	Slang	Hose
39	1	STM3817	Bout M12 x 1,25 L=25	Bolt M12 x 1,25 L=25
40	1	STM4056	Gegolfde veering M12	Wave spring washer M12
41	1	FFMP23	Front folie	Front foil



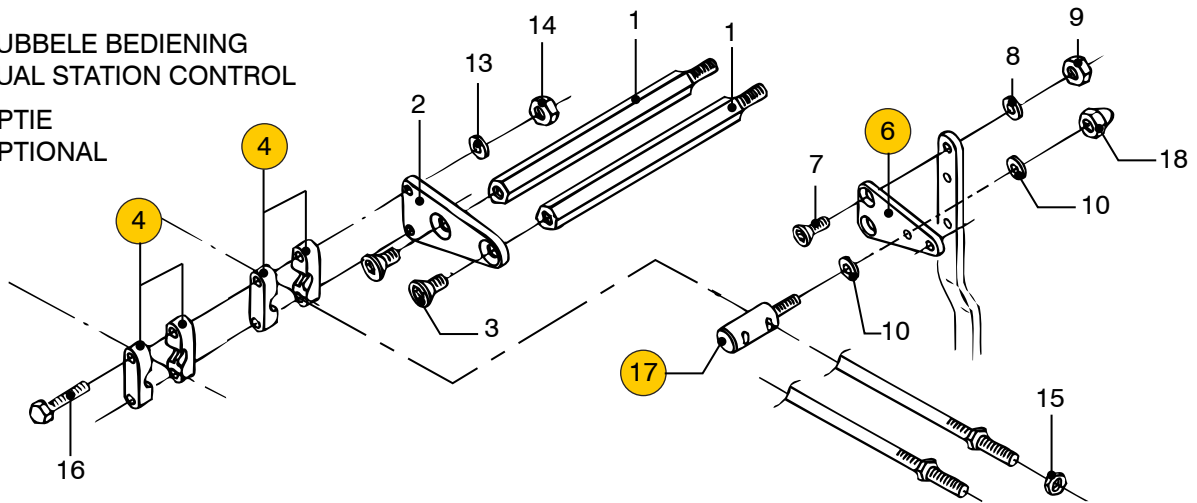
pos.	qty	part	benaming	description
1	1	STM6994	Paneel incl. fr.folie met 2 x laadcont. symbool	Panel incl. overlay w. 2 x batt.charging symb.
2	1	MP34KBS2D	Instr.paneel cpl. zwarte instr. 0-4000 rpm 12 V	Instr.panel cpl. black instr. 0-4000 rpm 12 V

STANDAARD  
STANDARD



DUBBELE BEDIENING  
DUAL STATION CONTROL

OPTIE  
OPTIONAL



M4.15

M4.17

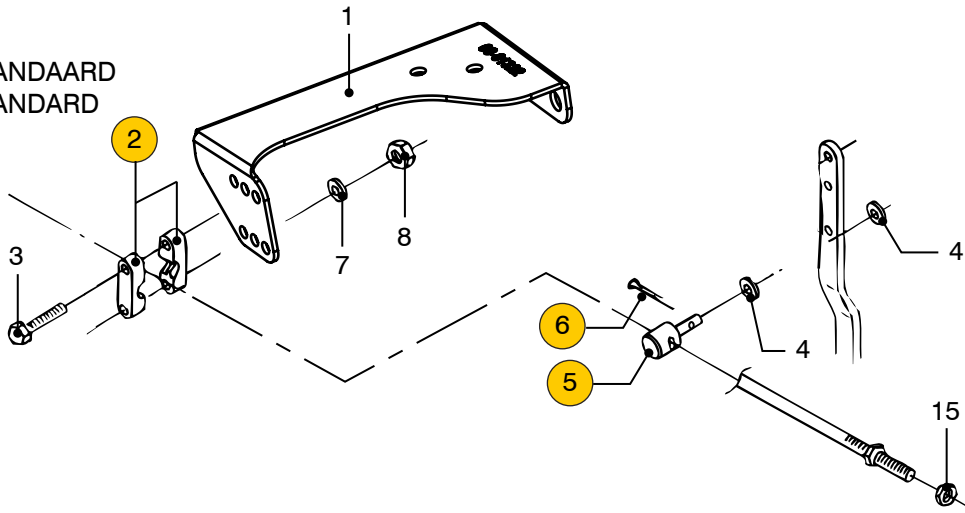
Bediening, GAS

Controls, THROTTLE

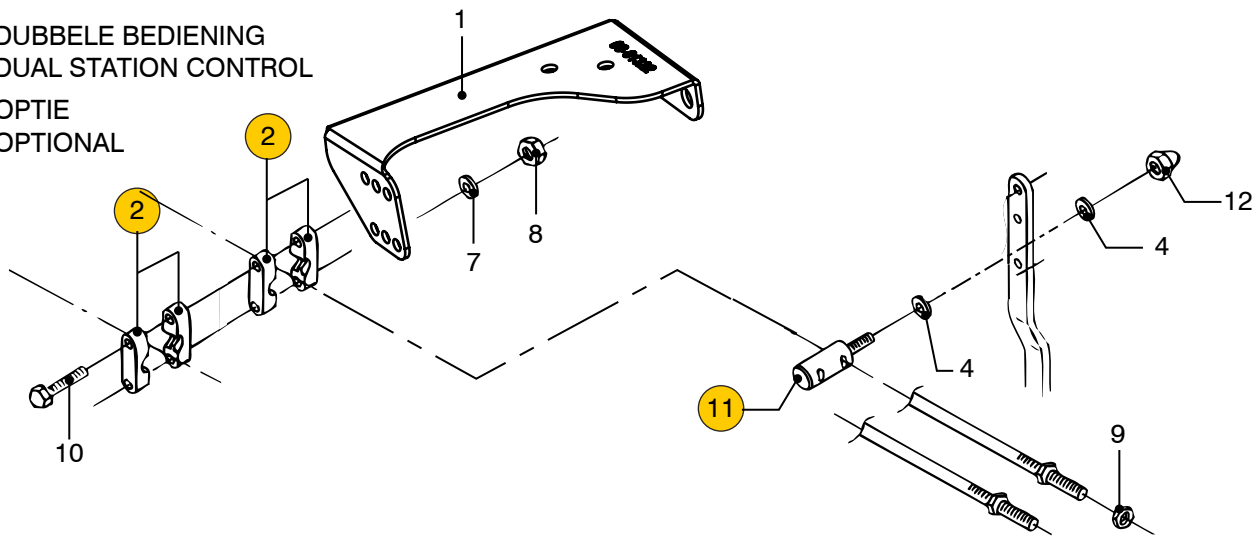
pos.	qty	part	benaming	description
1	2	STM8255	Afstandshouder l=126	Spacer l=126
2	1	STM7576	Bevestigingssteun	Support
3	2	STM7593	Schroef M8x6	Screw M8x6
4	1	STM1703	Kabelklem (standaard)	Cabel clamp (standard)
	2	STM1703	Kabelklem (optie)	Cabel clamp (optional)
5	2	STM1704	Bout M5x25 (standaard)	Bolt M5x25 (standard)
6	1	STM7577	Hefboom	Lever
7	2	STM7594	Schroef M6x16	Screw M6x16
8	2	STM1025	Gegolfde veerring M6	Wave spring washer M6
9	2	STM8569	Moer M6	Nut M6
10	2	STM1807	Ring M6	Washer M6
11	1	STM1806	Kabelnippel (standaard)	Cable nipple (standard)
12	1	STM1808	Splitpen 2x25 (standaard)	Split pin 2x25 (standard)
13	4	STM1707	Ring M5	Washer M5
14	4	STM1705	Moer M5	Nut M5
15	1	STM6568	Moer 10-32UNF (optie)	Nut 10-32UNF (optional)
16	2	STM1907	Bout M5x40 (optie)	Bolt M5x40 (optional)
17	1	STM1902	Gaskabel nippel (optie)	Throttle nipple (optional)
18	1	STM8129	Zelfborgende moer M6 (optie)	Nyloc nut M6 (optional)



STANDAARD  
STANDARD



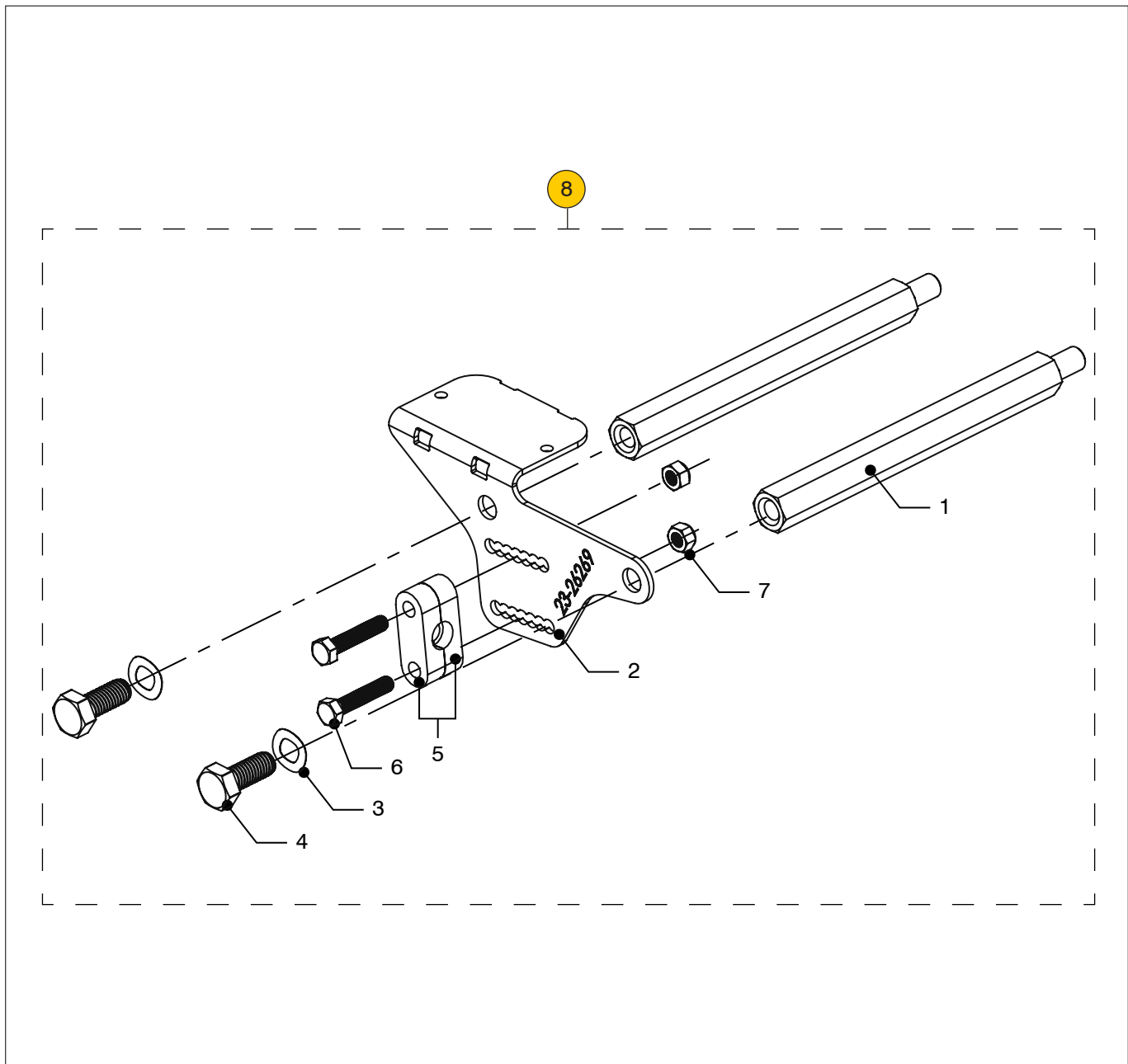
DUBBELE BEDIENING  
DUAL STATION CONTROL  
OPTIE  
OPTIONAL



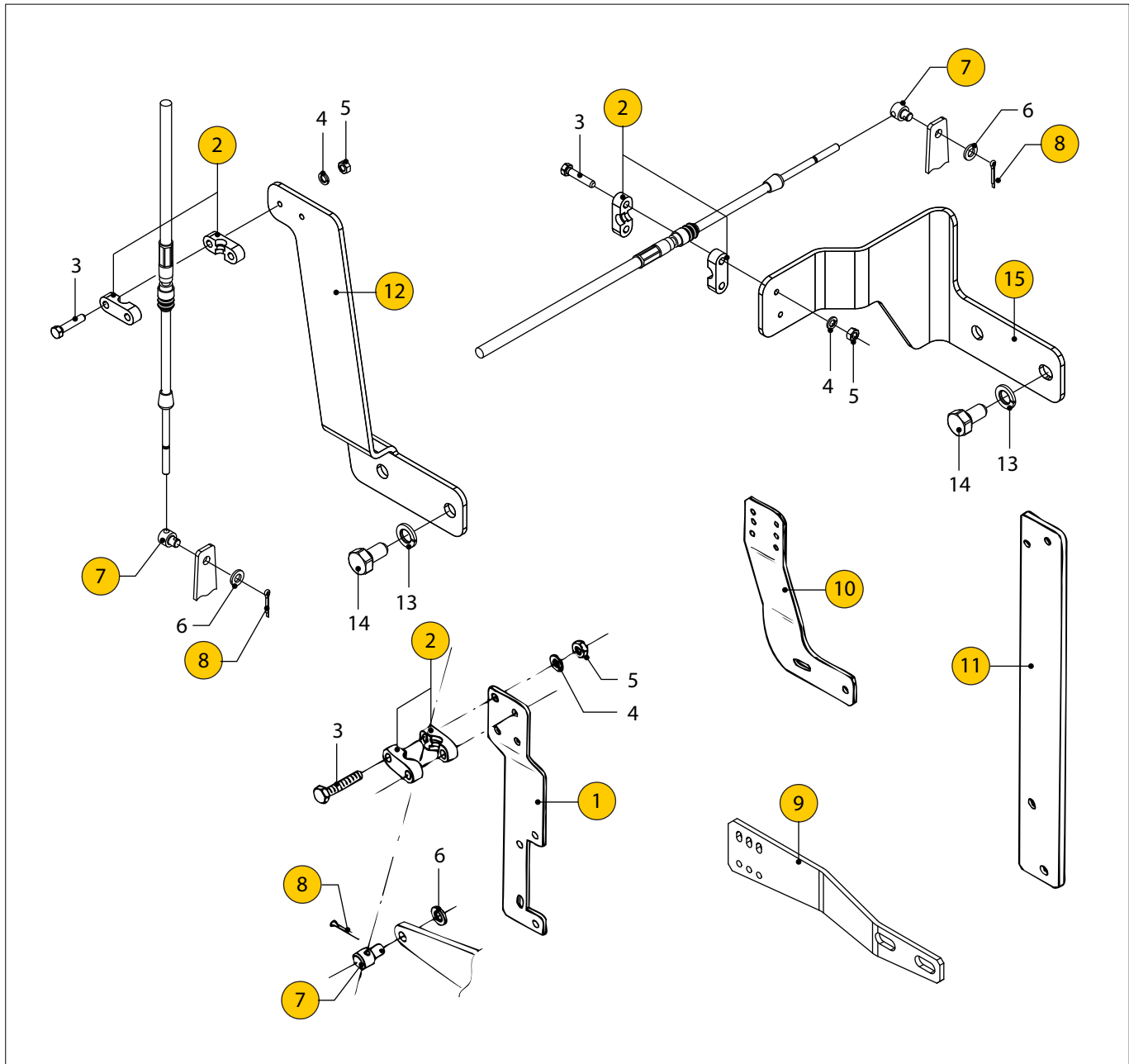
**Bediening, GAS**

**Controls, THROTTLE**

pos.	qty	M4.35 part	M4.45 part	benaming	description
1	1	08-01322		Bevestigingssteun	Support
2	1	STM1703		Kabelklem (standaard)	Cabel clamp (standard)
	2	STM1703		Kabelklem (optie)	Cabel clamp (optional)
3	2	STM1704		Bout M5x25 (standaard)	Bolt M5x25 (standard)
4	2	STM1807		Ring M6	Washer M6
5	1	STM1806		Kabelnippel (standaard)	Cable nipple (standard)
6	1	STM1808		Splitpen 2x25 (standaard)	Split pin 2x25 (standard)
7	4	STM1707		Ring M5	Washer M5
8	4	STM1705		Moer M5	Nut M5
9	1	STM6568		Moer 10-32UNF (optie)	Nut 10-32UNF (optional)
10	2	STM1907		Bout M5x40 (optie)	Bolt M5x40 (optional)
11	1	STM1902		Gaskabel nippel (optie)	Throttle nipple (optional)
12	1	STM8129		Zelfborgende moer M6 (optie)	Nyloc nut M6 (optional)



M4.35		M4.45		Bediening, GAS	Controls, THROTTLE
pos.	qty	part	benaming	description	
1	2	STM8255	Stud l=126	Stud l=126	
2	1	23-26269	Steun	Support	
3	2	STM1019	Gegolfde veerring M8	Wave spring washer M8	
4	2	STM3355	Bout M8x20	Bolt M8x20	
5	1	STM1703	Kabelklem	Cable clamp	
6	2	STM1704	Bout M5x25	Bolt M5x25	
7	2	STM6159	Zelfborgende moer M5	Nyloc nut M5	
8	1	23-26277	Set bediening M4	Kit control M4	

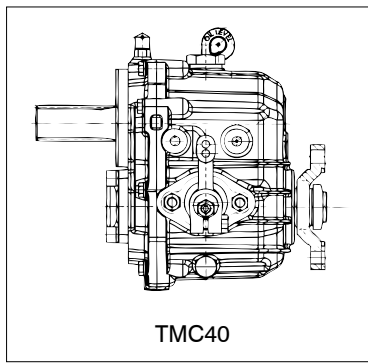


**M4.15**   **M4.17**  
**M4.35**   **M4.45**

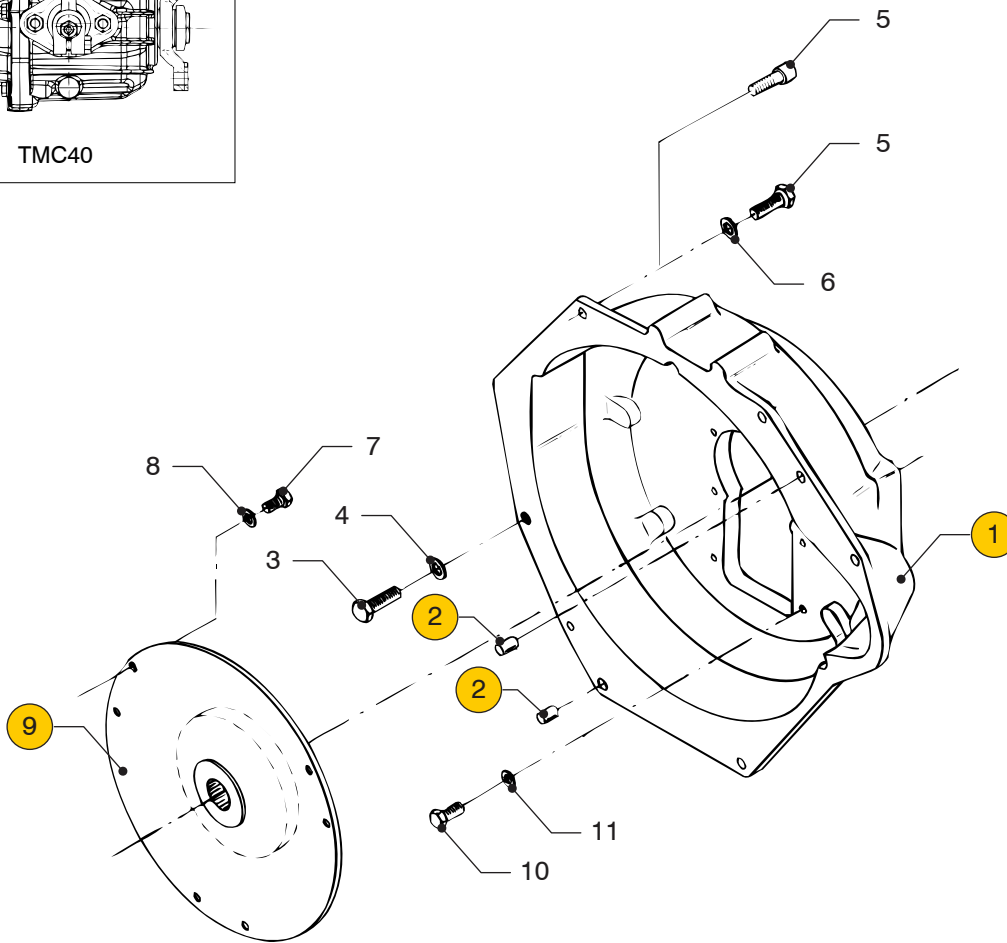
**Bediening, KEERKOPPELING**

**Controls, GEARBOX**

pos.	qty	part	benaming	description
①	1	STM1851	Steun ZF10M/12M/15M	Support ZF10M/12M/15M
②	1	STM1703	Kabelklem	Cable clamp
3	2	STM1704	Bout M5x25	Bolt M5x25
4	4	STM1707	Ring M5	Washer M5
5	4	STM1705	Moer M5	Nut M5
6	2	STM1807	Ring M6	Washer M6
⑦	1	STM1806	Kabelnippel	Cable nipple
⑧	1	STM1808	Splitpen 2x25	Split pin 2x25
⑨	1	STM6238	Steun TMC40/TM345	Support TMC10/TM345
⑩	1	STM6239	Steun TMC60	Support TMC60
⑪	1	STM8805	Steun ZF12	Support ZF12
⑫	1	STM9750	Steun ZF25 vertikaal (optie)	Support ZF25 vertical (optional)
13	2	STM4014	Veerring M10	Spring washer M10
14	2	STM9765	Bout 3/8UNCx3/4	Bolt 3/8UNCx3/4
⑮	1	STM9742	Steun ZF25 horizontaal (standaard)	Support horizontal (standard)



TMC40

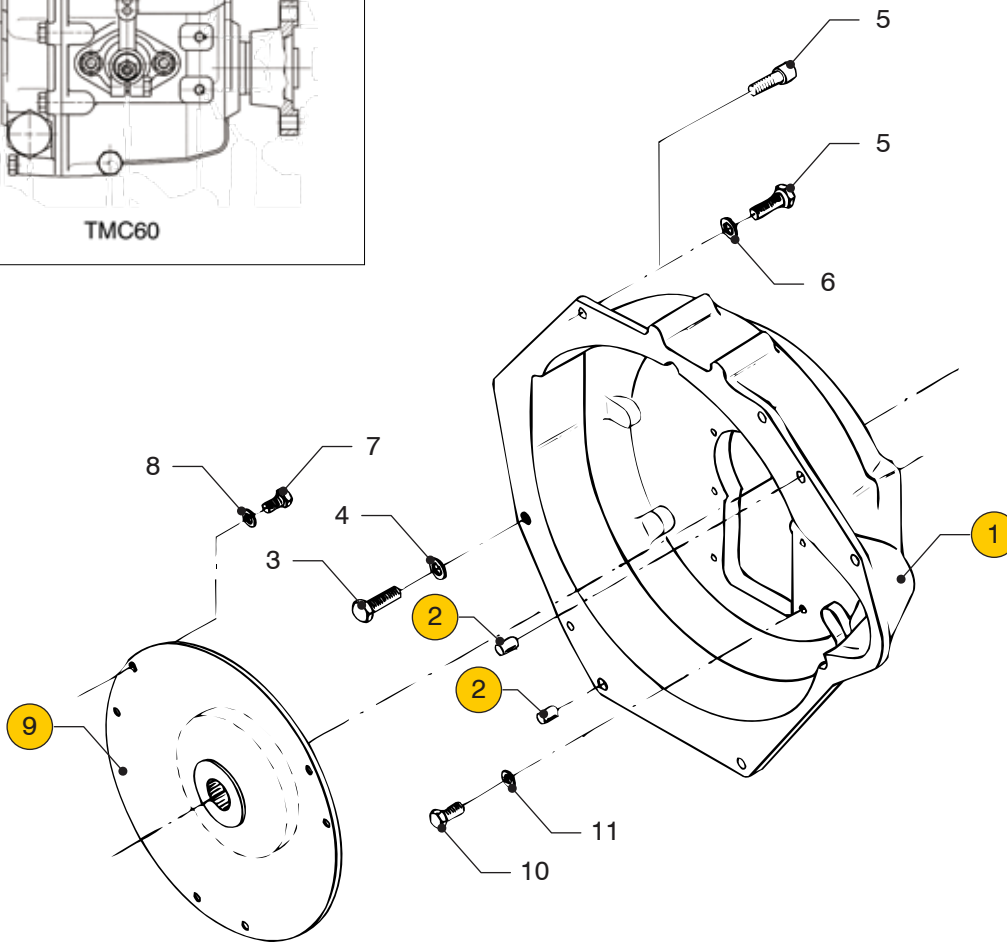
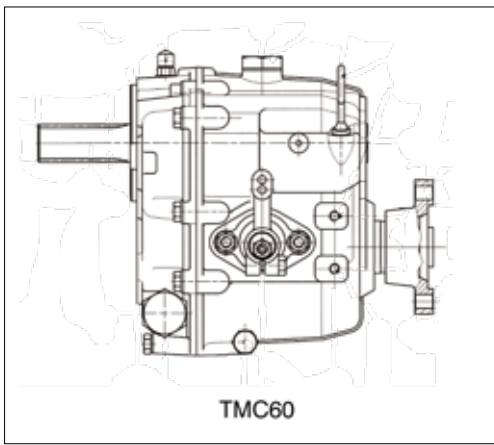


M4.15  
M4.35

Vliegwielhuis TMC40

Flywheel housing TMC40

pos.	qty	part	benaming	description
1	1	STM7566	Vliegwielhuis Ø88	Flywheel housing Ø88
2	2	STM3813	Paspen 10x12 ISO 2338	Pin 10x12 ISO 2338
3	1	STM7053	Bout M12x1,25x30	Bolt M12x1.25x30
4	1	STM4003	Veerring M12	Spring washer M12
5	4	STM7053	Bout M12x1,25x30 (04-2016 <-)	Bolt M12x1.25x30 (04-2016 <-)
	4	16-4138	Inbusbout M12x1,25x30 (-> 04-2016)	Allen screw M12x1.25x30 (-> 04-2016)
6	4	STM4056	Gegolfde veerring M12 (04-2016 <-)	Wave spring washer M12 (04-2016 <-)
	-	STM4056	Gegolfde veerring M12 (-> 04-2016)	Wave spring washer M12 (-> 04-2016)
7	6	STM4055	Bout M8x1,25x16	Bolt M8x1.25x16
8	6	STM1019	Gegolfde veerring M8	Wave spring washer M8
9	1	STM4054	Demperplaat DIN splines z=10, interkoel	Damperplate DIN splines z=10, intercooled
	1	STM4032	Demperplaat DIN splines z=10, kielkoel	Damperplate DIN splines z=10, keelcooled
10	6	STM1610	Bout M8x1,25x25 TMC40	Bolt M8x1.25x25 TMC40
	6	STM1610	Bout M8x1,25x25 TMC40M	Bolt M8x1.25x25 TMC40M
	6	STM1610	Bout M8x1,25x25 TMC40P	Bolt M8x1.25x25 TMC40P
11	6	STM1019	Gegolfde veerring M8	Spring washer M8

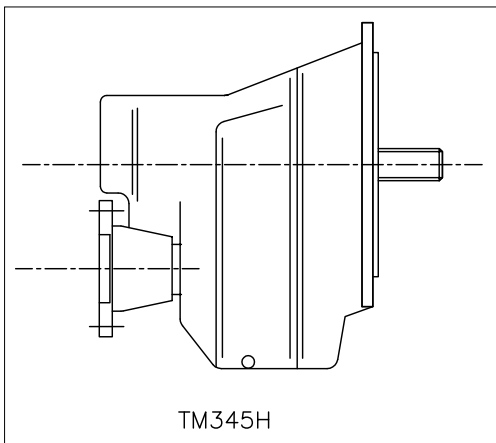


**M4.15  
M4.35**

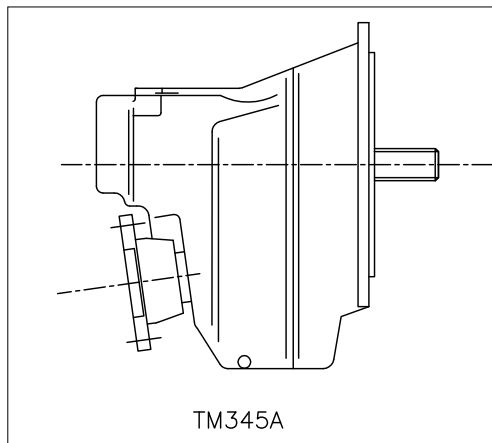
**Vliegwielhuis TMC60**

**Flywheel housing TMC60**

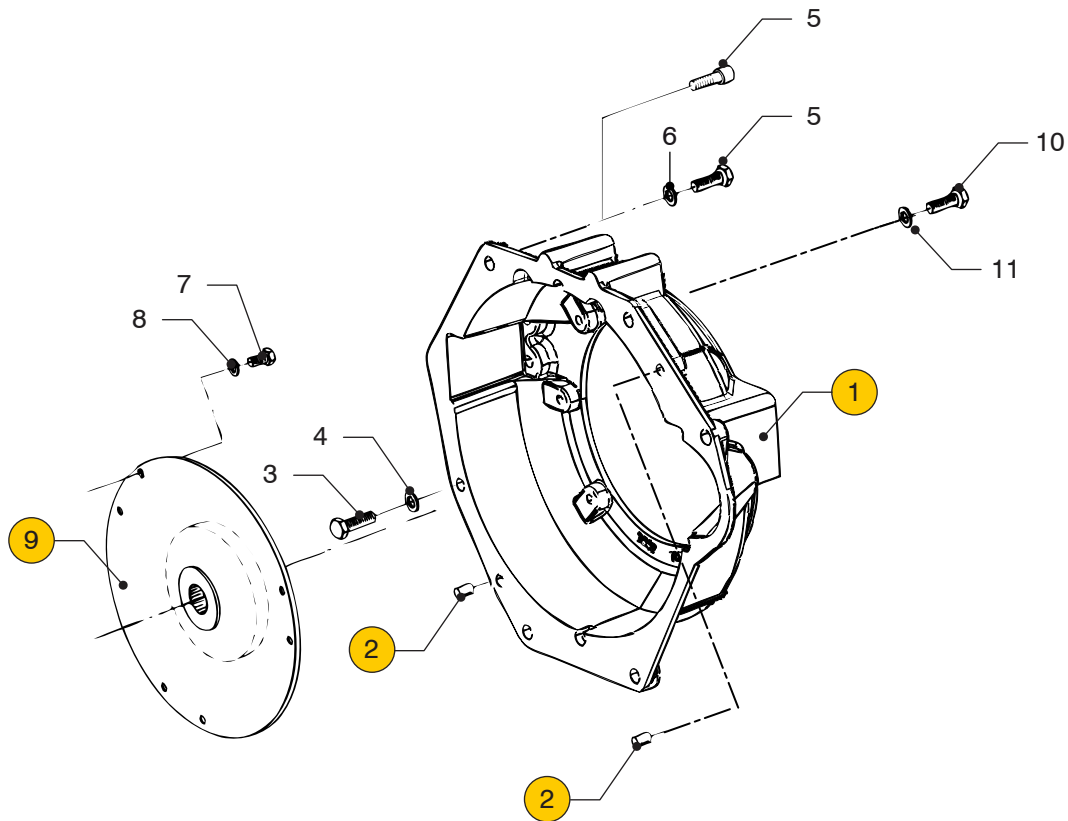
pos.	qty	part	benaming	description
1	1	STM7566	Vliegwielhuis Ø88	Flywheel housing Ø88
2	2	STM3813	Paspen 10x12 ISO 2338	Pin 10x12 ISO 2338
3	1	STM7053	Bout M12x1,25x30	Bolt M12x1.25x30
4	1	STM4003	Veerring M12	Spring washer M12
5	4	STM7053	Bout M12x1,25x30 (04-2016 <-)	Bolt M12x1.25x30 (04-2016 <-)
	4	16-4138	Inbusbout M12x1,25x30 (-> 04-2016)	Allen screw M12x1.25x30 (-> 04-2016)
6	4	STM4056	Gegolfde veerring M12 (04-2016 <-)	Wave spring washer M12 (04-2016 <-)
	-	STM4056	Gegolfde veerring M12 (-> 04-2016)	Wave spring washer M12 (-> 04-2016)
7	6	STM4055	Bout M8x1,25x16	Bolt M8x1.25x16
8	6	STM1019	Gegolfde veerring M8	Wave spring washer M8
9	1	STM4054	Demperplaat DIN splines z=10, interkoel	Damperplate DIN splines z=10, intercooled
	1	STM4032	Demperplaat DIN splines z=10, kielkoel	Damperplate DIN splines z=10, keelcooled
10	6	STM7059	Bout M8x1,25x30 TMC60	Bolt M8x1.25x30 TMC60
	6	STM1610	Bout M8x1,25x25 TMC60M	Bolt M8x1.25x25 TMC60M
	6	STM7059	Bout M8x1,25x30 TMC60e	Bolt M8x1.25x30 TMC60E
11	6	STM1019	Gegolfde veerring M8	Spring washer M8



TM345H



TM345A

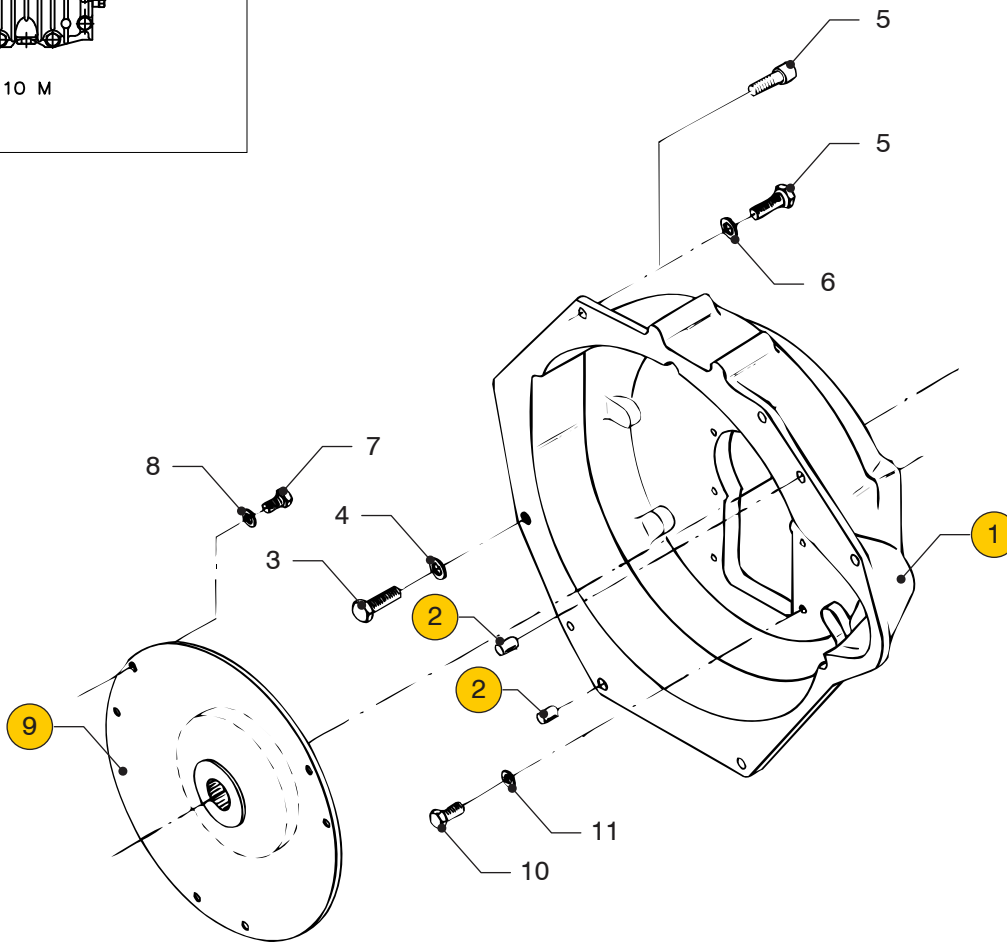
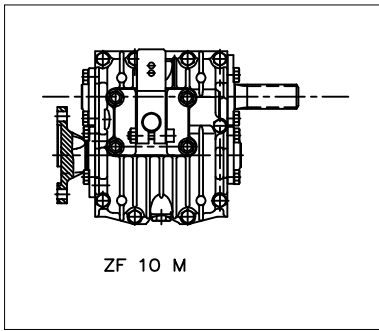


**M4.15  
M4.35**

**Vliegwielhuis TM345H (A)**

**Flywheel housing TM345H (A)**

pos.	qty	part	benaming	description
①	1	STM7567	Vliegwielhuis SAE7 ø 209,55	Flywheel housing SAE7 ø 209,55
②	2	STM3813	Paspen 10x12 ISO 2338	Pin 10x12 ISO 2338
3	1	STM7053	Bout M12x1,25x30	Bolt M12x1.25x30
4	1	STM4003	Veerring M12	Spring washer M12
5	4	STM7053	Bout M12x1,25x30 (04-2016 <-)	Bolt M12x1.25x30 (04-2016 <-)
	4	16-4138	Inbusbout M12x1,25x30 (-> 04-2016)	Allen screw M12x1.25x30 (-> 04-2016)
6	4	STM4056	Gegolfde veerring M12 (04-2016 <-)	Wave spring washer M12 (04-2016 <-)
	-	STM4056	Gegolfde veerring M12 (-> 04-2016)	Wave spring washer M12 (-> 04-2016)
7	6	STM4055	Bout M8x1,25x16	Bolt M8x1.25x16
8	6	STM1056	Veerring M8	Spring washer M8
⑨	1	STM7609	Demperplaat sae splines z=26	Damperplate sae splines z=26
10	6	STM9003	Bout M10x25	Bolt M10x25
11	6	STM4003	Gegolfde veerring M10	Wave spring washer M10

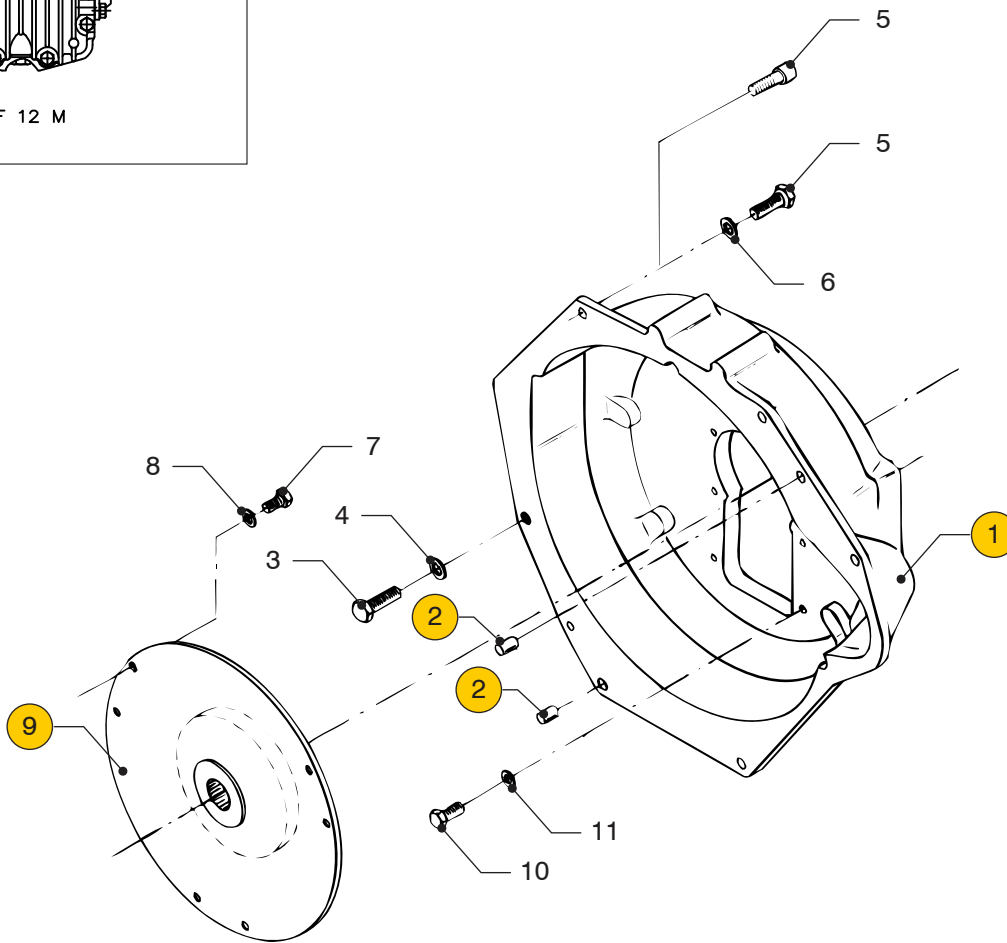
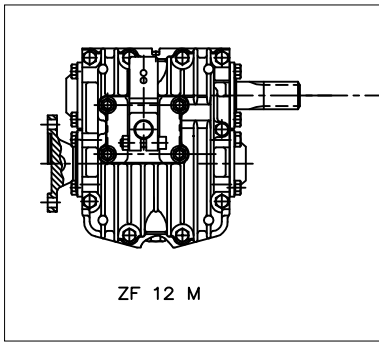


M4.15  
M4.35

Vliegwielhuis ZF10M

Flywheel housing ZF10M

pos.	qty	part	benaming	description
1	1	STM7566	Vliegwielhuis Ø88	Flywheel housing Ø88
2	2	STM3813	Paspen 10x12 ISO 2338	Pin 10x12 ISO 2338
3	1	STM7053	Bout M12x1,25x30	Bolt M12x1.25x30
4	1	STM4003	Veerring M12	Spring washer M12
5	4	STM7053	Bout M12x1,25x30 (04-2016 <-)	Bolt M12x1.25x30 (04-2016 <-)
	4	16-4138	Inbusbout M12x1,25x30 (-> 04-2016)	Allen screw M12x1.25x30 (-> 04-2016)
6	4	STM4056	Gegolfde veerring M12 (04-2016 <-)	Wave spring washer M12 (04-2016 <-)
	-	STM4056	Gegolfde veerring M12 (-> 04-2016)	Wave spring washer M12 (-> 04-2016)
7	6	STM4055	Bout M8x1,25x16	Bolt M8x1.25x16
8	6	STM1056	Veerring M8	Spring washer M8
9	1	STM4054	Demperplaat DIN splines z=10	Damperplate DIN splines z=10
10	6	STM1610	Bout M8x1,25x25	Bolt M8x1.25x25
11	6	STM1019	Gegolfde veerring M8	Spring washer M8



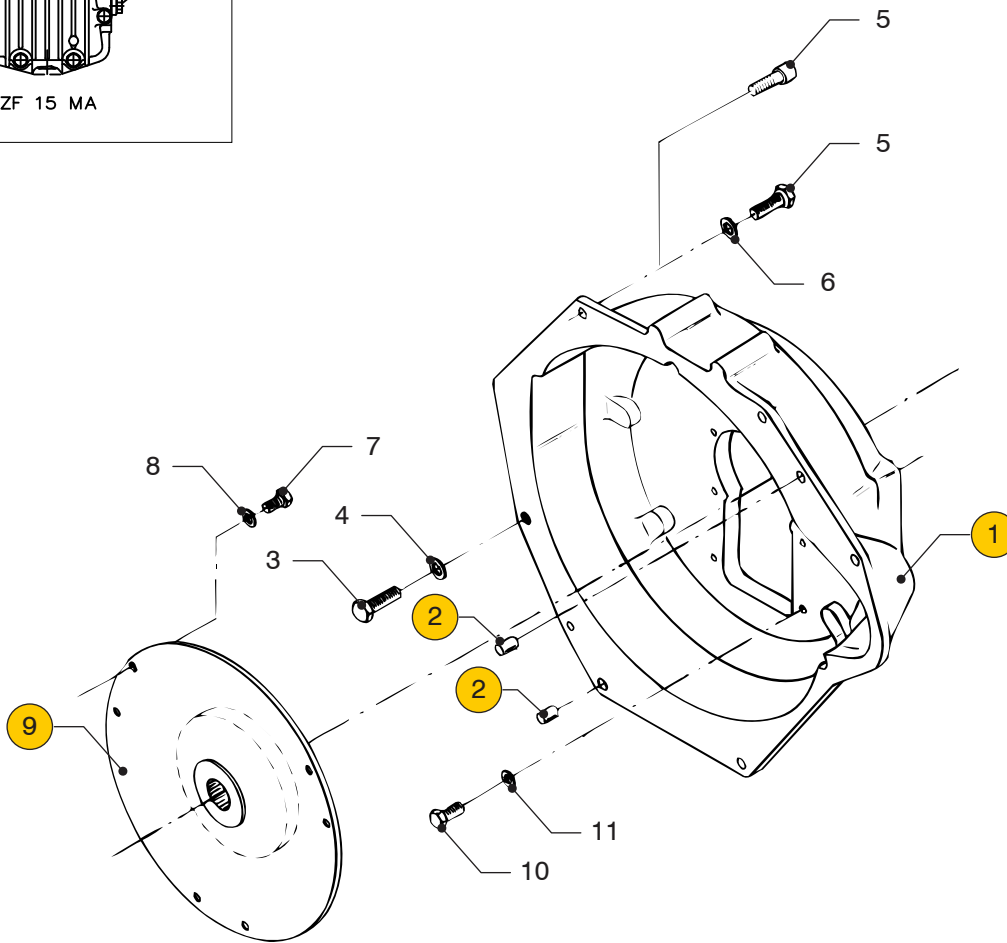
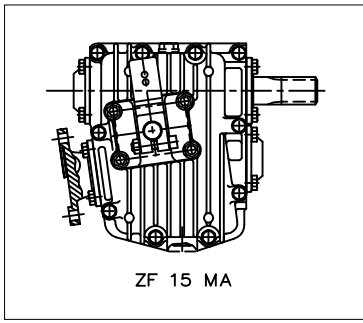
M4.15  
M4.35

Vliegwielhuis ZF12M

Flywheel housing ZF12M

pos.	qty	part	benaming	description
1	1	STM7566	Vliegwielhuis Ø88	Flywheel housing Ø88
2	2	STM3813	Paspen 10x12 ISO 2338	Pin 10x12 ISO 2338
3	1	STM7053	Bout M12x1,25x30	Bolt M12x1.25x30
4	1	STM4003	Veerring M12	Spring washer M12
5	4	STM7053	Bout M12x1,25x30 (04-2016 <-)	Bolt M12x1.25x30 (04-2016 <-)
	4	16-4138	Inbusbout M12x1,25x30 (-> 04-2016)	Allen screw M12x1.25x30 (-> 04-2016)
6	4	STM4056	Gegolfde veerring M12 (04-2016 <-)	Wave spring washer M12 (04-2016 <-)
	-	STM4056	Gegolfde veerring M12 (-> 04-2016)	Wave spring washer M12 (-> 04-2016)
7	6	STM4055	Bout M8x1,25x16	Bolt M8x1.25x16
8	6	STM1056	Veerring M8	Spring washer M8
9	1	STM4054	Demperplaat DIN splines z=10	Damperplate DIN splines z=10
10	6	STM1610	Bout M8x1,25x25	Bolt M8x1.25x25
11	6	STM1019	Gegolfde veerring M8	Spring washer M8



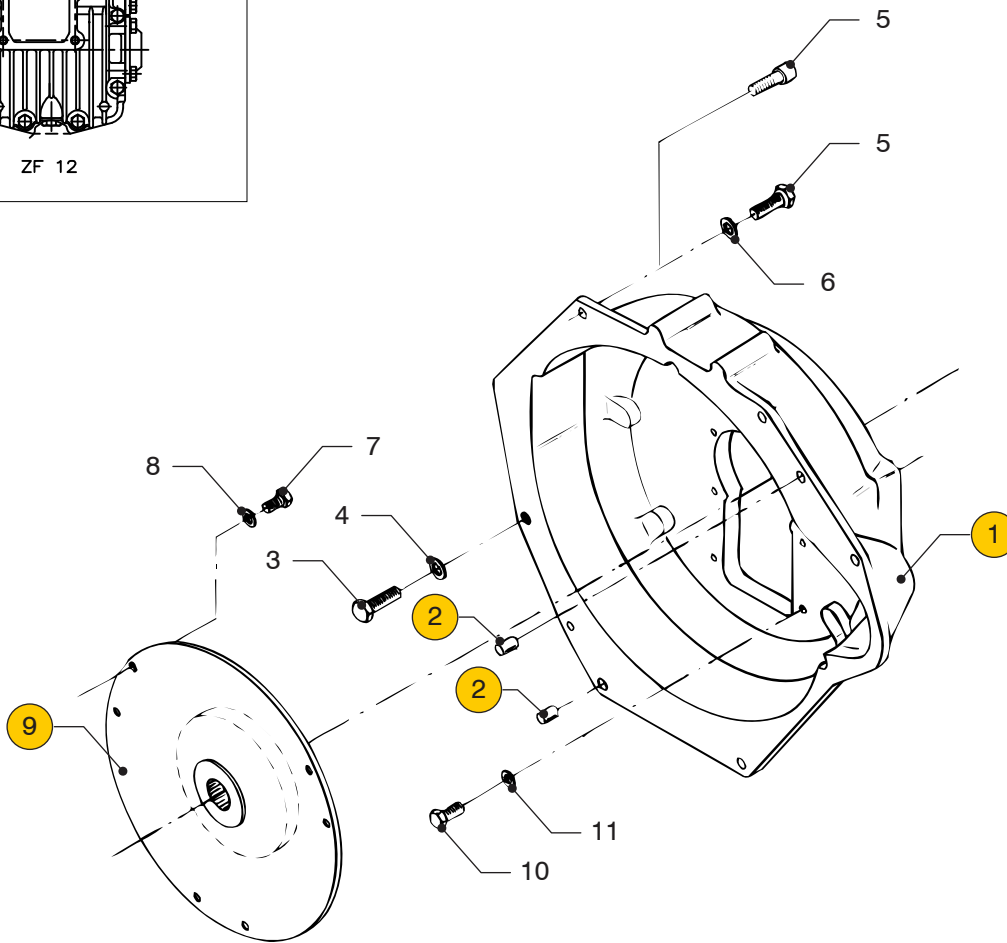
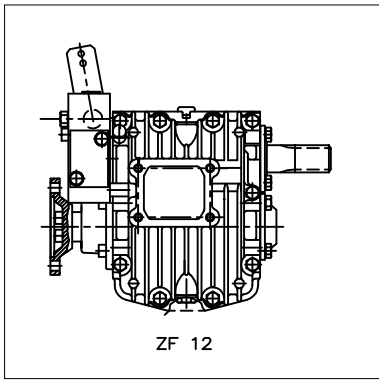


M4.15  
M4.35

Vliegwielhuis ZF15MA

Flywheel housing ZF15MA

pos.	qty	part	benaming	description
1	1	STM7566	Vliegwielhuis Ø88	Flywheel housing Ø88
2	2	STM3813	Paspen 10x12 ISO 2338	Pin 10x12 ISO 2338
3	1	STM7053	Bout M12x1,25x30	Bolt M12x1.25x30
4	1	STM4003	Veerring M12	Spring washer M12
5	4	STM7053	Bout M12x1,25x30 (04-2016 <-)	Bolt M12x1.25x30 (04-2016 <-)
	4	16-4138	Inbusbout M12x1,25x30 (-> 04-2016)	Allen screw M12x1.25x30 (-> 04-2016)
6	4	STM4056	Gegolfde veerring M12 (04-2016 <-)	Wave spring washer M12 (04-2016 <-)
	-	STM4056	Gegolfde veerring M12 (-> 04-2016)	Wave spring washer M12 (-> 04-2016)
7	6	STM4055	Bout M8x1,25x16	Bolt M8x1.25x16
8	6	STM1056	Veerring M8	Spring washer M8
9	1	STM4054	Demperplaat DIN splines z=10	Damperplate DIN splines z=10
10	6	STM1610	Bout M8x1,25x25	Bolt M8x1.25x25
11	6	STM1019	Gegolfde veerring M8	Spring washer M8

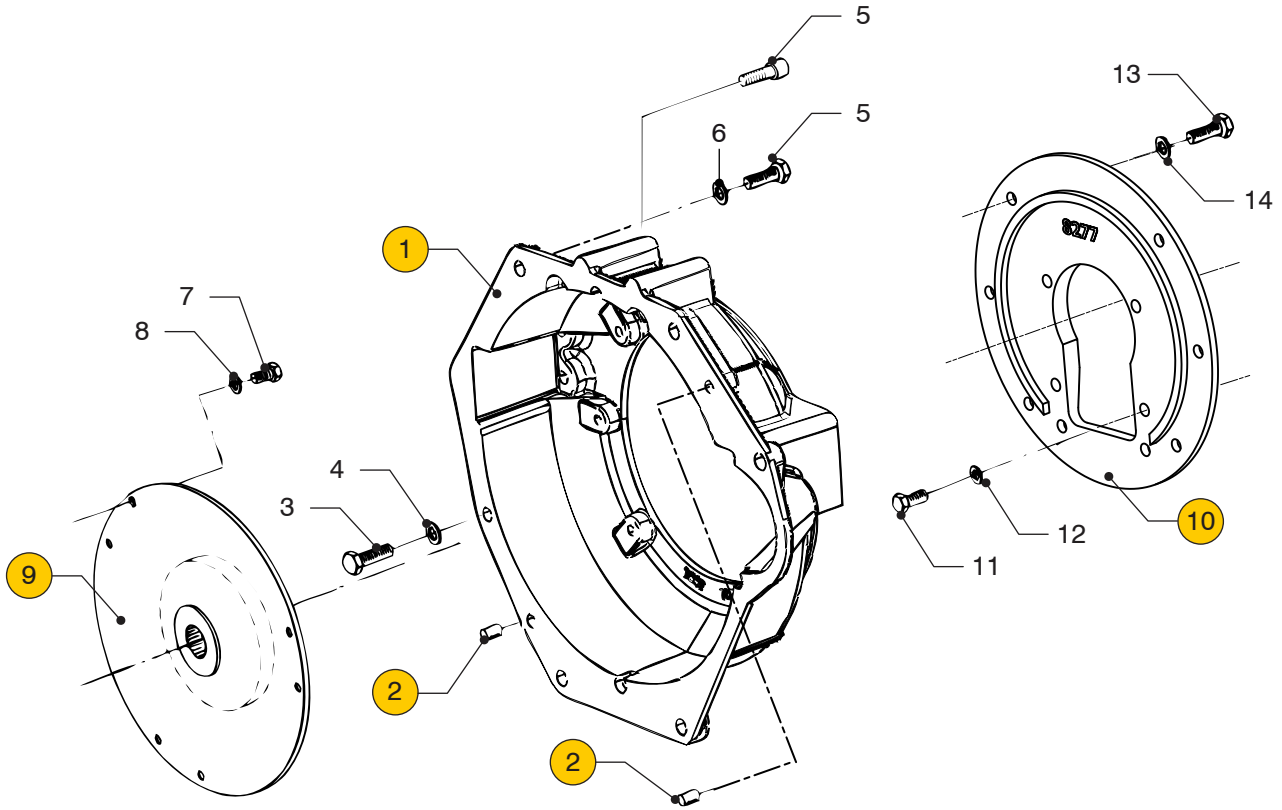
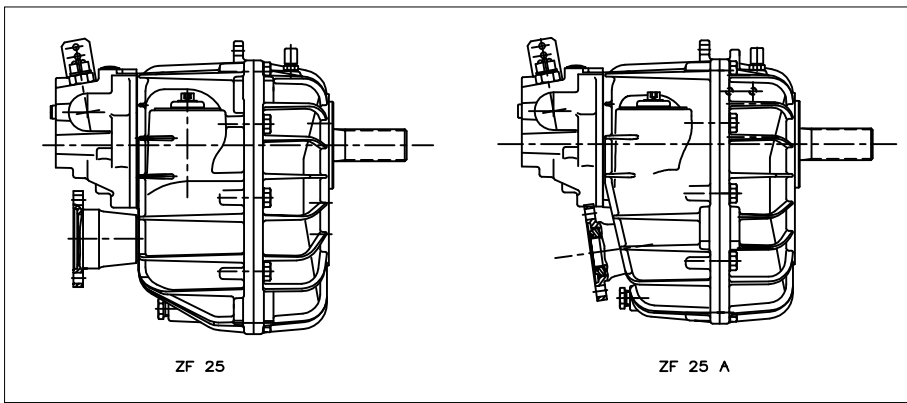


M4.15  
M4.35

Vliegwielhuis ZF12

Flywheel housing ZF12

pos.	qty	part	benaming	description
1	1	STM7566	Vliegwielhuis Ø88	Flywheel housing Ø88
2	2	STM3813	Paspen 10x12 ISO 2338	Pin 10x12 ISO 2338
3	1	STM7053	Bout M12x1,25x30	Bolt M12x1.25x30
4	1	STM4003	Veerring M12	Spring washer M12
5	4	STM7053	Bout M12x1,25x30 (04-2016 <-)	Bolt M12x1.25x30 (04-2016 <-)
	4	16-4138	Inbusbout M12x1,25x30 (-> 04-2016)	Allen screw M12x1.25x30 (-> 04-2016)
6	4	STM4056	Gegolfde veerring M12 (04-2016 <-)	Wave spring washer M12 (04-2016 <-)
	-	STM4056	Gegolfde veerring M12 (-> 04-2016)	Wave spring washer M12 (-> 04-2016)
7	6	STM4055	Bout M8x1,25x16	Bolt M8x1.25x16
8	6	STM1056	Veerring M8	Spring washer M8
9	1	STM4031	Demperplaat DIN splines z=10	Damperplate DIN splines z=10
10	6	STM1610	Bout M8x1,25x25	Bolt M8x1.25x25
11	6	STM1019	Gegolfde veerring M8	Spring washer M8

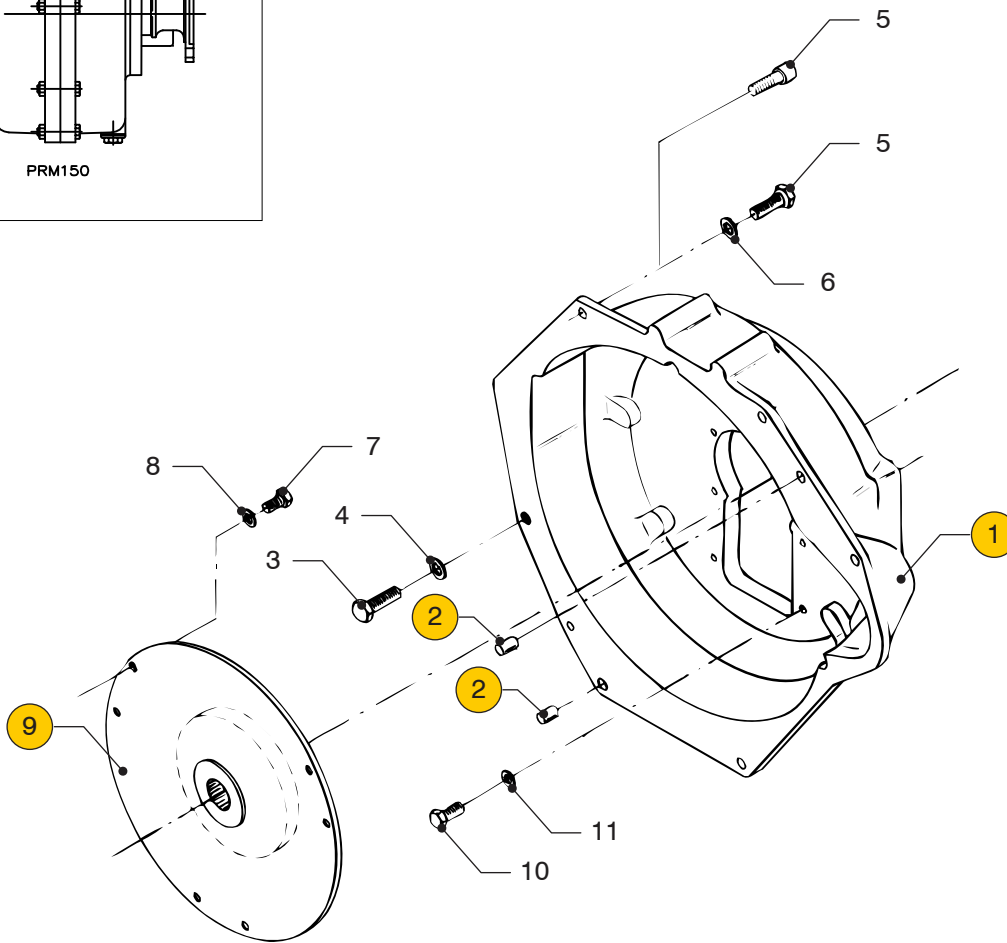
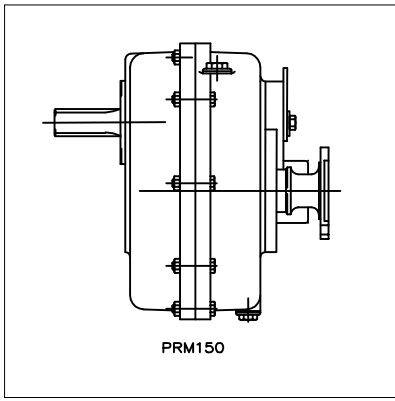


**M4.15**  
**M4.35**

**Vliegwielhuis ZF25 (A)**

**Flywheel housing ZF25 (A)**

pos.	qty	part	benaming	description
1	1	STM7567	Vliegwielhuis SAE7 Ø209,55	Flywheel housing SAE 209,55
2	2	STM3813	Paspen 10x12 ISO 2338	Pin 10x12 ISO 2338
3	1	STM7053	Bout M12x1,25x30	Bolt M12x1.25x30
4	1	STM4003	Veerring M12	Spring washer M12
5	4	STM7053	Bout M12x1,25x30 (04-2016 <-)	Bolt M12x1.25x30 (04-2016 <-)
	4	16-4138	Inbusbout M12x1,25x30 (-> 04-2016)	Allen screw M12x1.25x30 (-> 04-2016)
6	4	STM4056	Gegolfde veerring M12 (04-2016 <-)	Wave spring washer M12 (04-2016 <-)
	-	STM4056	Gegolfde veerring M12 (-> 04-2016)	Wave spring washer M12 (-> 04-2016)
7	6	STM4055	Bout M8x1,25x16	Bolt M8x1.25x16
8	6	STM1056	Veerring M8	Spring washer M8
9	1	STM7609	Demperplaat sae splines z=26	Damperplate sae splines z=26
10	1	STM8277	Adapterplaat SAE7 -> Ø92	Adapter plate SAE7 -> Ø92
11	6	STM9003	Bout M10x1,5x25	Bolt M10x1.5x25
12	6	STM4003	Gegolfde veerring M10	Wave spring washer M10
13	6	STM9003	Bout M10x25	Bolt M10x25
14	6	STM4003	Gegolfde veerring M10	Wave spring washer M10

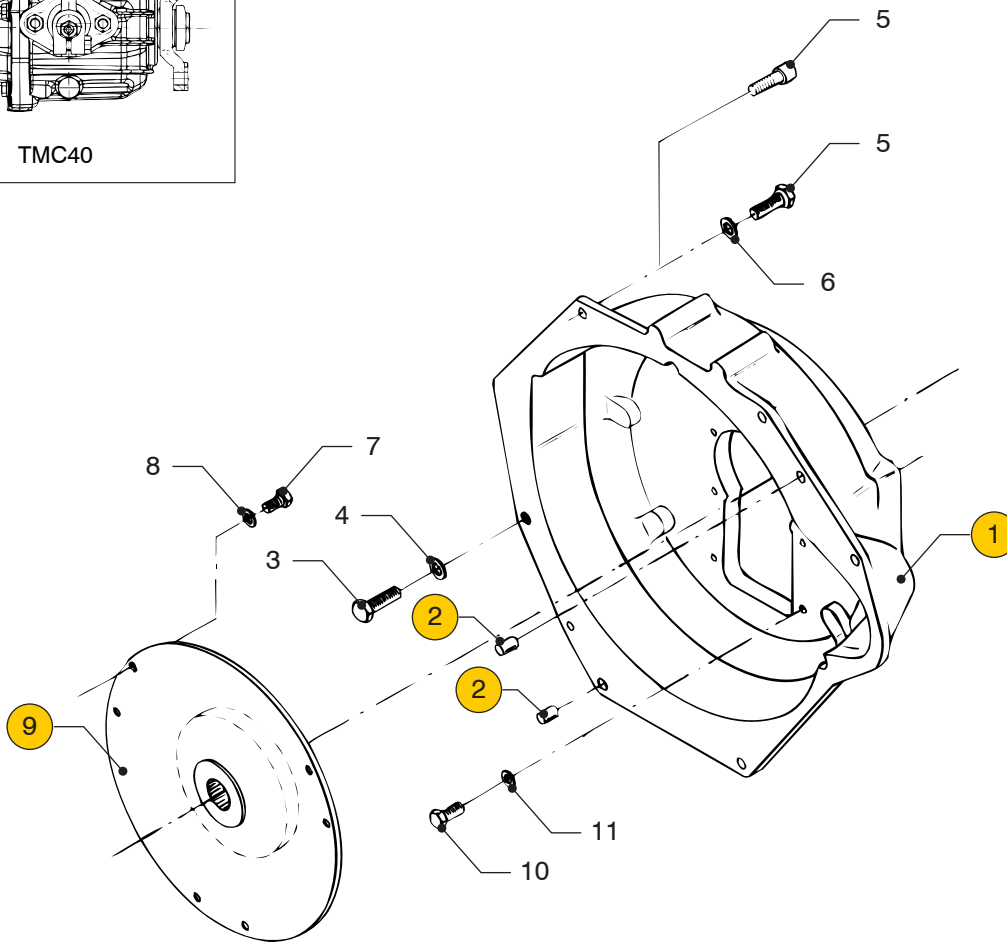
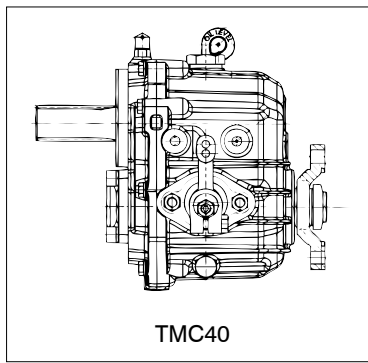


**M4.15**  
**M4.35**

**Vliegwielhuis PRM150**

**Flywheel housing PRM150**

pos.	qty	part	benaming	description
1	1	STM7566	Vliegwielhuis Ø88	Flywheel housing Ø88
2	2	STM3813	Paspen 10x12 ISO 2338	Pin 10x12 ISO 2338
3	1	STM7053	Bout M12x1,25x30	Bolt M12x1.25x30
4	1	STM4003	Veerring M12	Spring washer M12
5	4	STM7053	Bout M12x1,25x30 (04-2016 <-)	Bolt M12x1.25x30 (04-2016 <-)
	4	16-4138	Inbusbout M12x1,25x30 (-> 04-2016)	Allen screw M12x1.25x30 (-> 04-2016)
6	4	STM4056	Gegolfde veerring M12 (04-2016 <-)	Wave spring washer M12 (04-2016 <-)
	-	STM4056	Gegolfde veerring M12 (-> 04-2016)	Wave spring washer M12 (-> 04-2016)
7	6	STM4055	Bout M8x1,25x16	Bolt M8x1.25x16
8	6	STM1056	Veerring M8	Washer M8
9	1	STM4031	Demperplaat DIN splines z=10	Damperplate DIN splines z=10
10	6	STM1610	Bout M8x1,25x25	Bolt M8x1.25x25
11	6	STM1019	Gegolfde veerring M8	Spring washer M8

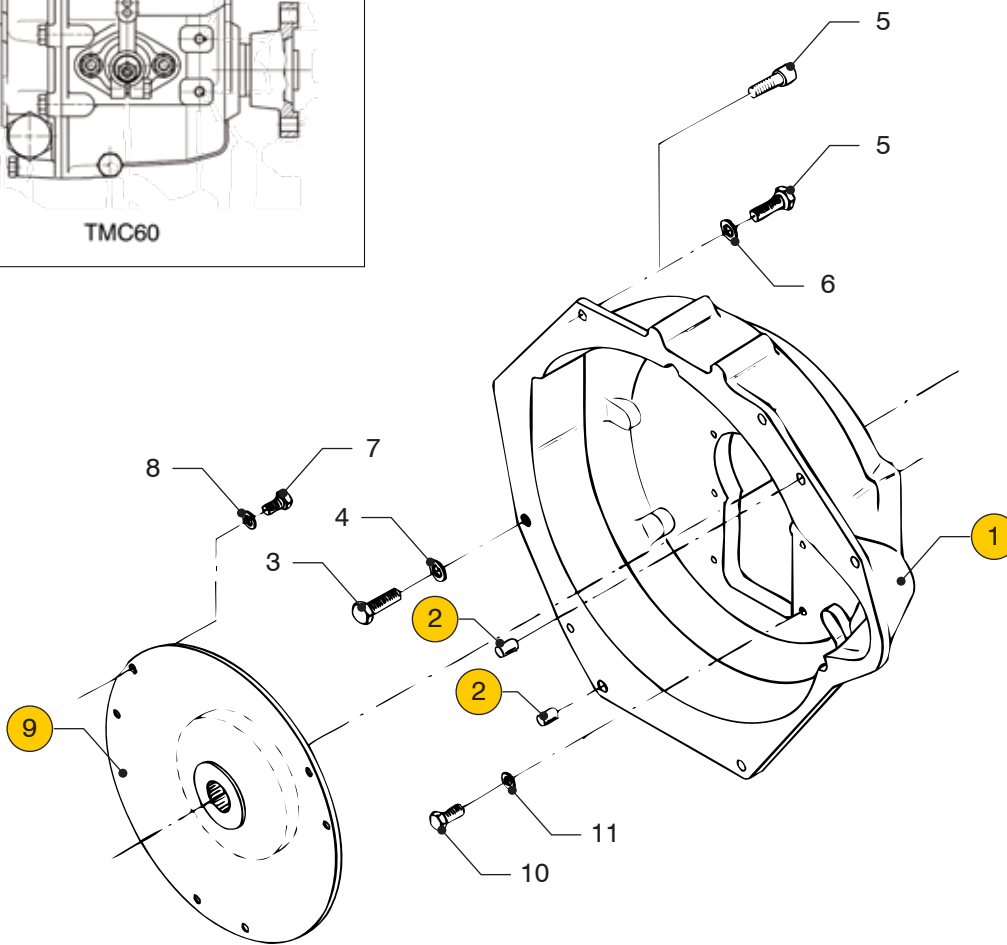
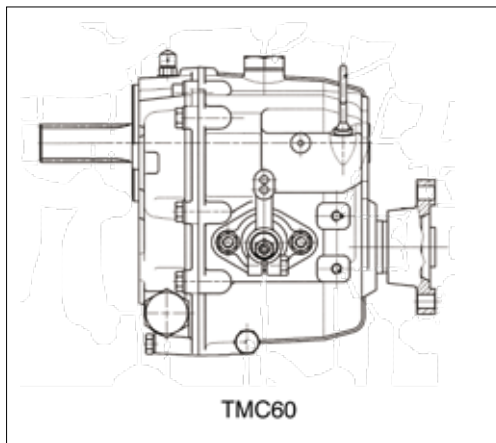


M4.17  
M4.45

Vliegwielhuis TMC40

Flywheel housing TMC40

pos.	qty	part	benaming	description
1	1	STM7566	Vliegwielhuis Ø88	Flywheel housing Ø88
2	2	STM3813	Paspen 10x12 ISO 2338	Pin 10x12 ISO 2338
3	1	STM7053	Bout M12x1,25x30	Bolt M12x1.25x30
4	1	STM4003	Veerring M12	Spring washer M12
5	4	STM7053	Bout M12x1,25x30 (04-2016 <-)	Bolt M12x1.25x30 (04-2016 <-)
	4	16-4138	Inbusbout M12x1,25x30 (-> 04-2016)	Allen screw M12x1.25x30 (-> 04-2016)
6	4	STM4056	Gegolfde veerring M12 (04-2016 <-)	Wave spring washer M12 (04-2016 <-)
	-	STM4056	Gegolfde veerring M12 (-> 04-2016)	Wave spring washer M12 (-> 04-2016)
7	6	STM4055	Bout M8x1,25x16	Bolt M8x1.25x16
8	6	STM1019	Gegolfde veerring M8	Wave spring washer M8
9	1	STM4054	Demperplaat DIN splines z=10, interkoel	Damperplate DIN splines z=10, intercooled
	1	STM4032	Demperplaat DIN splines z=10, kielkoel	Damperplate DIN splines z=10, keelcooled
10	6	STM1610	Bout M8x1,25x25 TMC40	Bolt M8x1.25x25 TMC40
	6	STM1610	Bout M8x1,25x25 TMC40M	Bolt M8x1.25x25 TMC40M
	6	STM1610	Bout M8x1,25x25 TMC40P	Bolt M8x1.25x25 TMC40P
11	6	STM1019	Gegolfde veerring M8	Spring washer M8

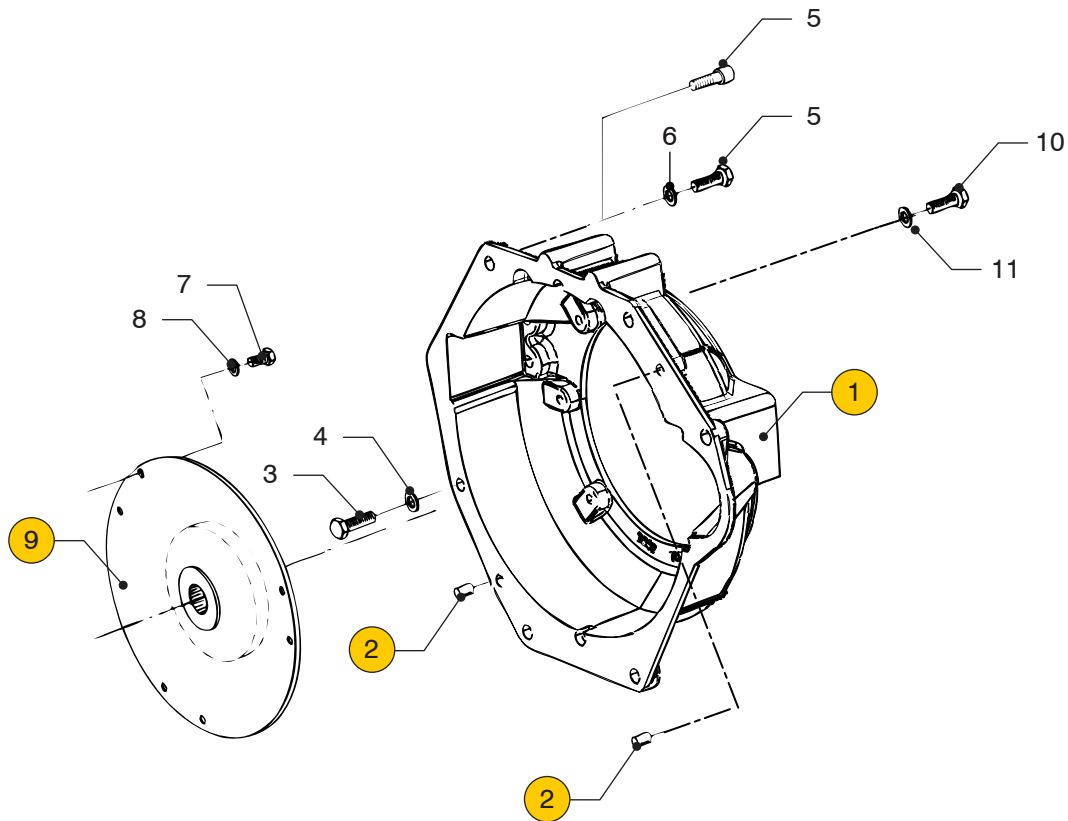
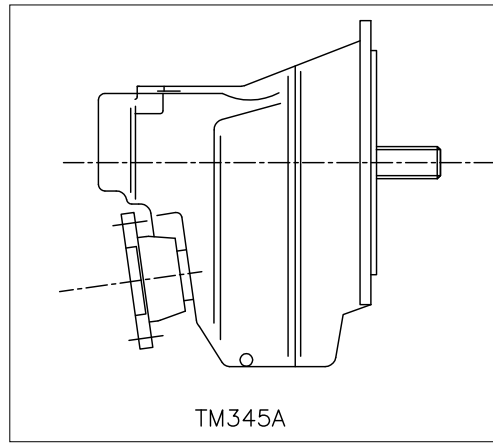
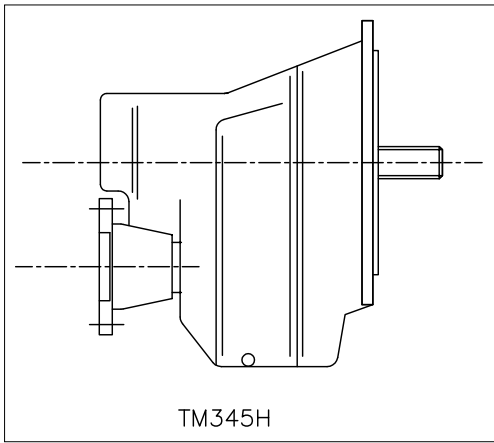


M4.17  
M4.45

**Vliegwielhuis TMC60**

**Flywheel housing TMC60**

pos.	qty	part	benaming	description
1	1	STM7566	Vliegwielhuis Ø88	Flywheel housing Ø88
2	2	STM3813	Paspen 10x12 ISO 2338	Pin 10x12 ISO 2338
3	1	STM7053	Bout M12x1,25x30	Bolt M12x1.25x30
4	1	STM4003	Veerring M12	Spring washer M12
5	4	STM7053	Bout M12x1,25x30 (04-2016 <-)	Bolt M12x1.25x30 (04-2016 <-)
	4	16-4138	Inbusbout M12x1,25x30 (-> 04-2016)	Allen screw M12x1.25x30 (-> 04-2016)
6	4	STM4056	Gegolfde veerring M12 (04-2016 <-)	Wave spring washer M12 (04-2016 <-)
	-	STM4056	Gegolfde veerring M12 (-> 04-2016)	Wave spring washer M12 (-> 04-2016)
7	6	STM4055	Bout M8x1,25x16	Bolt M8x1.25x16
8	6	STM1019	Gegolfde veerring M8	Wave spring washer M8
9	1	STM4054	Demperplaat DIN splines z=10, interkoel	Damperplate DIN splines z=10, intercooled
	1	STM4032	Demperplaat DIN splines z=10, kielkoel	Damperplate DIN splines z=10, keelcooled
10	6	STM7059	Bout M8x1,25x30 TMC60	Bolt M8x1.25x30 TMC60
	6	STM1610	Bout M8x1,25x25 TMC60M	Bolt M8x1.25x25 TMC60M
	6	STM7059	Bout M8x1,25x30 TMC60e	Bolt M8x1.25x30 TMC60E
11	6	STM1019	Gegolfde veerring M8	Spring washer M8

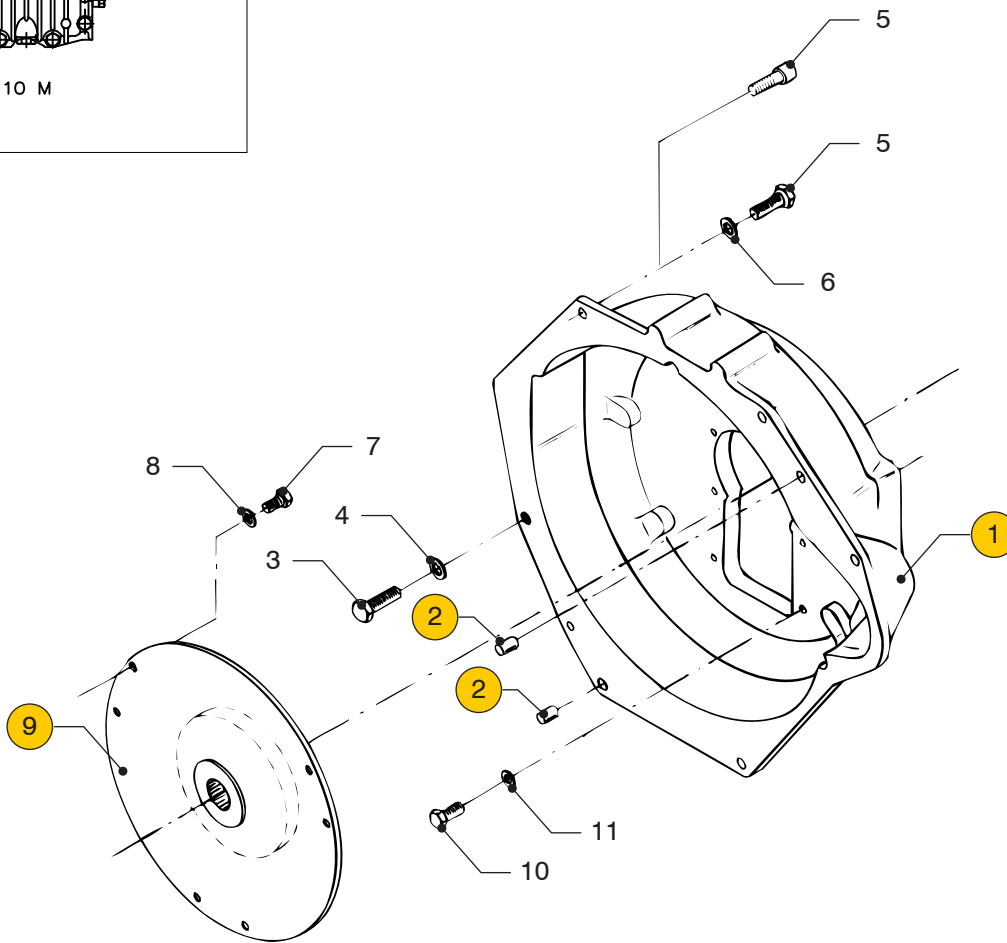
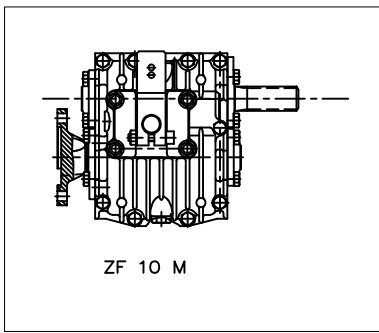


M4.17  
M4.45

Vliegwielhuis TM345H (A)

Flywheel housing TM345H (A)

pos.	qty	part	benaming	description
①	1	STM7567	Vliegwielhuis SAE7 ø 209,55	Flywheel housing SAE7 ø 209,55
②	2	STM3813	Paspen 10x12 ISO 2338	Pin 10x12 ISO 2338
3	1	STM7053	Bout M12x1,25x30	Bolt M12x1.25x30
4	1	STM4003	Veerring M12	Spring washer M12
5	4	STM7053	Bout M12x1,25x30 (04-2016 <-)	Bolt M12x1.25x30 (04-2016 <-)
	4	16-4138	Inbusbout M12x1,25x30 (-> 04-2016)	Allen screw M12x1.25x30 (-> 04-2016)
6	4	STM4056	Gegolfde veerring M12 (04-2016 <-)	Wave spring washer M12 (04-2016 <-)
	-	STM4056	Gegolfde veerring M12 (-> 04-2016)	Wave spring washer M12 (-> 04-2016)
7	6	STM4055	Bout M8x1,25x16	Bolt M8x1.25x16
8	6	STM1056	Veerring M8	Spring washer M8
⑨	1	STM7609	Demperplaat sae splines z=26	Damperplate sae splines z=26
10	6	STM9003	Bout M10x25	Bolt M10x25
11	6	STM4003	Gegolfde veerring M10	Wave spring washer M10



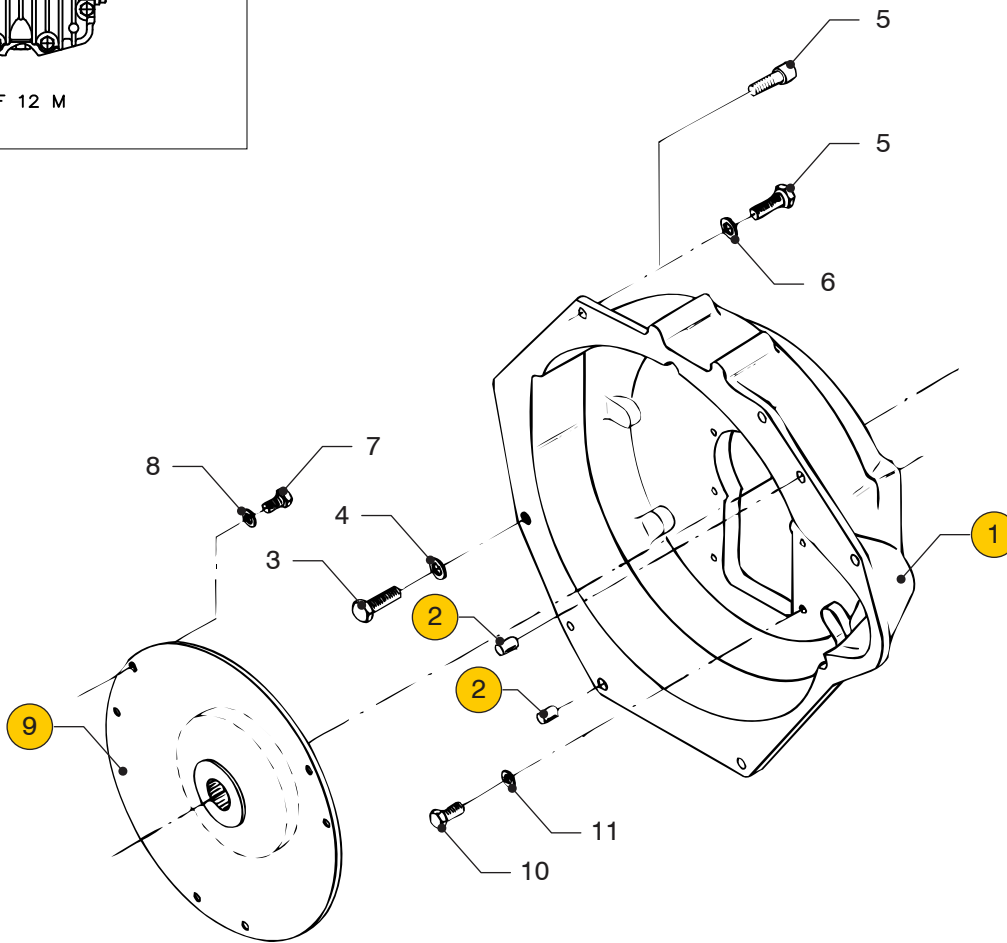
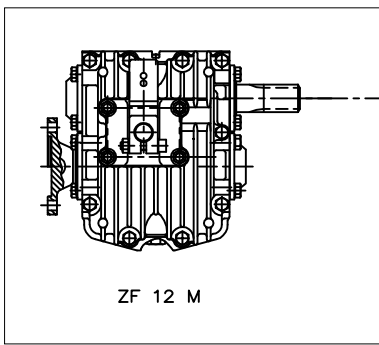
M4.17  
M4.45

Vliegwielhuis ZF10M

Flywheel housing ZF10M

pos.	qty	part	benaming	description
1	1	STM7566	Vliegwielhuis Ø88	Flywheel housing Ø88
2	2	STM3813	Paspen 10x12 ISO 2338	Pin 10x12 ISO 2338
3	1	STM7053	Bout M12x1,25x30	Bolt M12x1.25x30
4	1	STM4003	Veerring M12	Spring washer M12
5	4	STM7053	Bout M12x1,25x30 (04-2016 <-)	Bolt M12x1.25x30 (04-2016 <-)
	4	16-4138	Inbusbout M12x1,25x30 (-> 04-2016)	Allen screw M12x1.25x30 (-> 04-2016)
6	4	STM4056	Gegolfde veerring M12 (04-2016 <-)	Wave spring washer M12 (04-2016 <-)
	-	STM4056	Gegolfde veerring M12 (-> 04-2016)	Wave spring washer M12 (-> 04-2016)
7	6	STM4055	Bout M8x1,25x16	Bolt M8x1.25x16
8	6	STM1056	Veerring M8	Spring washer M8
9	1	STM4054	Demperplaat DIN splines z=10	Damperplate DIN splines z=10
10	6	STM1610	Bout M8x1,25x25	Bolt M8x1.25x25
11	6	STM1019	Gegolfde veerring M8	Spring washer M8



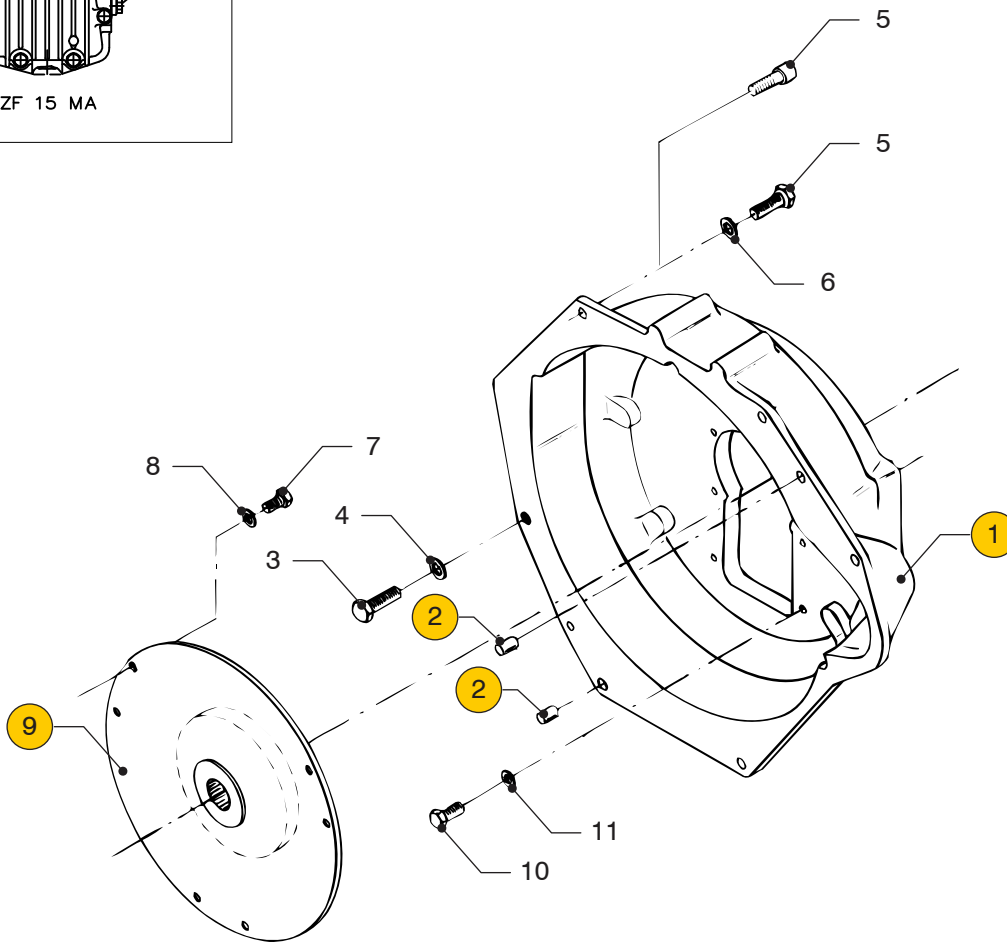
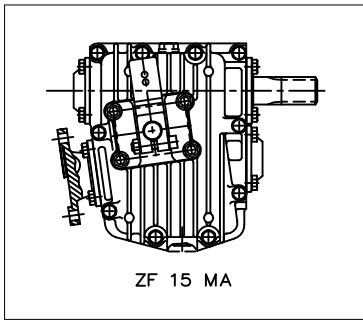


M4.17  
M4.45

Vliegwielhuis ZF12M

Flywheel housing ZF12M

pos.	qty	part	benaming	description
1	1	STM7566	Vliegwielhuis Ø88	Flywheel housing Ø88
2	2	STM3813	Paspen 10x12 ISO 2338	Pin 10x12 ISO 2338
3	1	STM7053	Bout M12x1,25x30	Bolt M12x1.25x30
4	1	STM4003	Veerring M12	Spring washer M12
5	4	STM7053	Bout M12x1,25x30 (04-2016 <-)	Bolt M12x1.25x30 (04-2016 <-)
	4	16-4138	Inbusbout M12x1,25x30 (-> 04-2016)	Allen screw M12x1.25x30 (-> 04-2016)
6	4	STM4056	Gegolfde veerring M12 (04-2016 <-)	Wave spring washer M12 (04-2016 <-)
	-	STM4056	Gegolfde veerring M12 (-> 04-2016)	Wave spring washer M12 (-> 04-2016)
7	6	STM4055	Bout M8x1,25x16	Bolt M8x1.25x16
8	6	STM1056	Veerring M8	Spring washer M8
9	1	STM4054	Demperplaat DIN splines z=10	Damperplate DIN splines z=10
10	6	STM1610	Bout M8x1,25x25	Bolt M8x1.25x25
11	6	STM1019	Gegolfde veerring M8	Spring washer M8

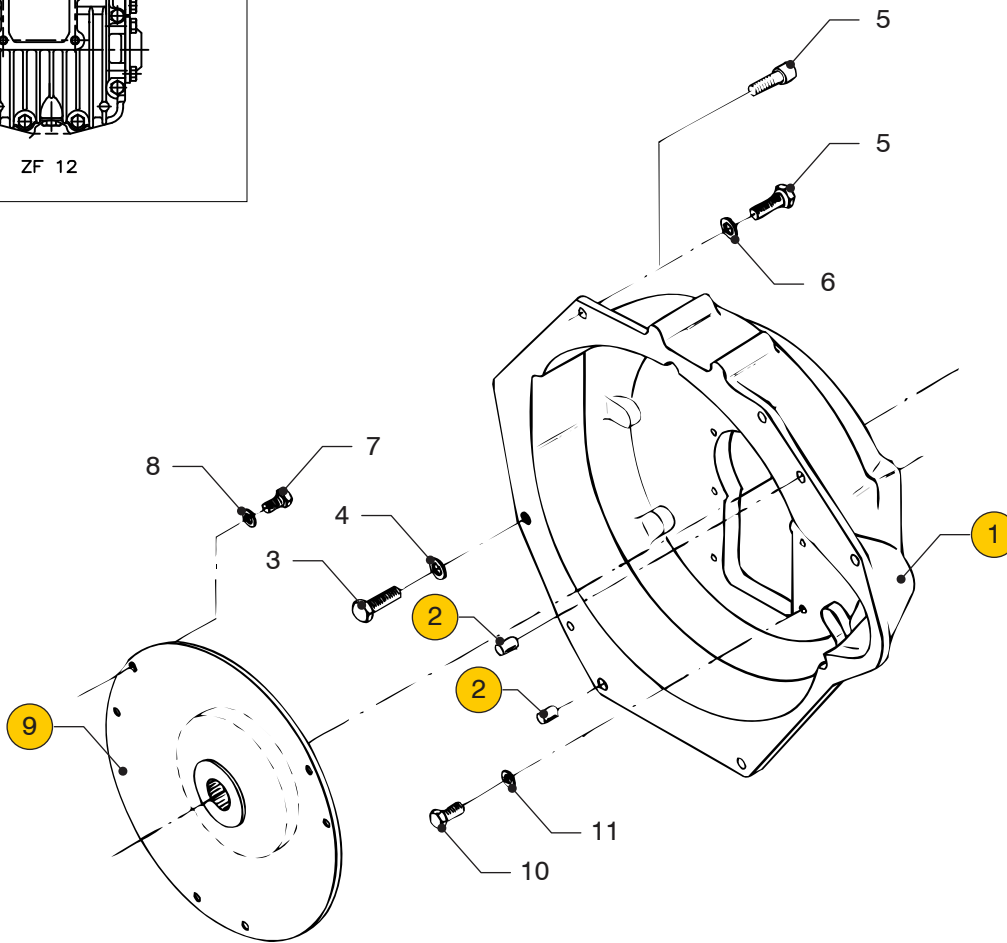
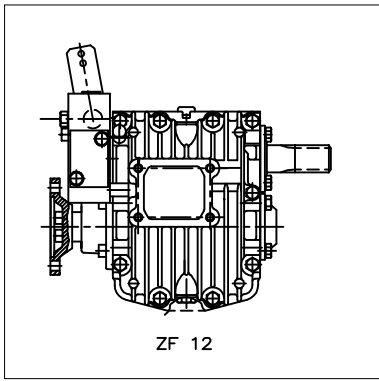


M4.17  
M4.45

Vliegwielhuis ZF15MA

Flywheel housing ZF15MA

pos.	qty	part	benaming	description
1	1	STM7566	Vliegwielhuis Ø88	Flywheel housing Ø88
2	2	STM3813	Paspen 10x12 ISO 2338	Pin 10x12 ISO 2338
3	1	STM7053	Bout M12x1,25x30	Bolt M12x1.25x30
4	1	STM4003	Veerring M12	Spring washer M12
5	4	STM7053	Bout M12x1,25x30 (04-2016 <-)	Bolt M12x1.25x30 (04-2016 <-)
	4	16-4138	Inbusbout M12x1,25x30 (-> 04-2016)	Allen screw M12x1.25x30 (-> 04-2016)
6	4	STM4056	Gegolfde veerring M12 (04-2016 <-)	Wave spring washer M12 (04-2016 <-)
	-	STM4056	Gegolfde veerring M12 (-> 04-2016)	Wave spring washer M12 (-> 04-2016)
7	6	STM4055	Bout M8x1,25x16	Bolt M8x1.25x16
8	6	STM1056	Veerring M8	Spring washer M8
9	1	STM4054	Demperplaat DIN splines z=10	Damperplate DIN splines z=10
10	6	STM1610	Bout M8x1,25x25	Bolt M8x1.25x25
11	6	STM1019	Gegolfde veerring M8	Spring washer M8

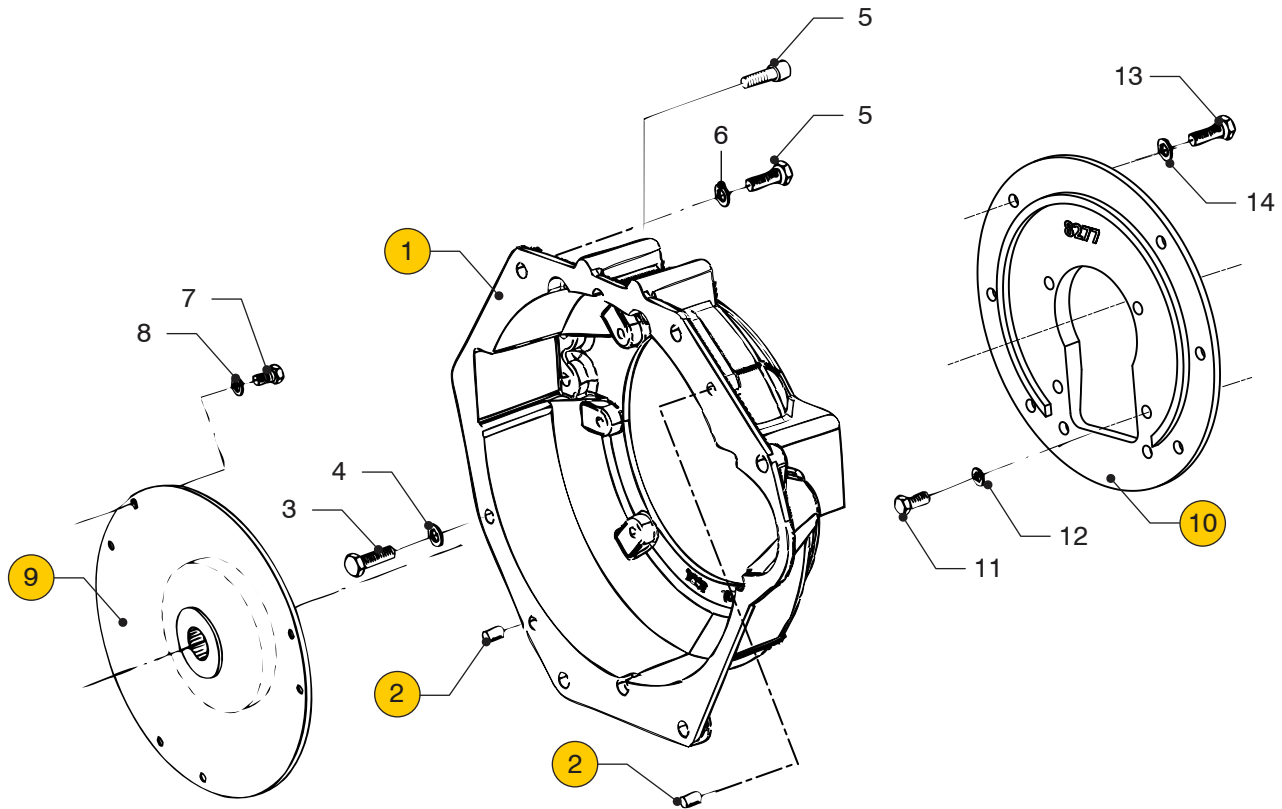
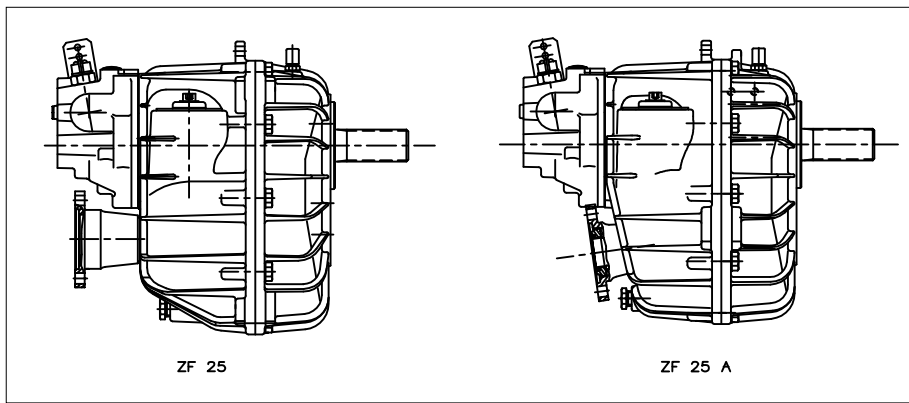


M4.17  
M4.45

Vliegwielhuis ZF12

Flywheel housing ZF12

pos.	qty	part	benaming	description
1	1	STM7566	Vliegwielhuis Ø88	Flywheel housing Ø88
2	2	STM3813	Paspen 10x12 ISO 2338	Pin 10x12 ISO 2338
3	1	STM7053	Bout M12x1,25x30	Bolt M12x1.25x30
4	1	STM4003	Veerring M12	Spring washer M12
5	4	STM7053	Bout M12x1,25x30 (04-2016 <-)	Bolt M12x1.25x30 (04-2016 <-)
	4	16-4138	Inbusbout M12x1,25x30 (-> 04-2016)	Allen screw M12x1.25x30 (-> 04-2016)
6	4	STM4056	Gegolfde veerring M12 (04-2016 <-)	Wave spring washer M12 (04-2016 <-)
	-	STM4056	Gegolfde veerring M12 (-> 04-2016)	Wave spring washer M12 (-> 04-2016)
7	6	STM4055	Bout M8x1,25x16	Bolt M8x1.25x16
8	6	STM1056	Veerring M8	Spring washer M8
9	1	STM4031	Demperplaat DIN splines z=10	Damperplate DIN splines z=10
10	6	STM1610	Bout M8x1,25x25	Bolt M8x1.25x25
11	6	STM1019	Gegolfde veerring M8	Spring washer M8

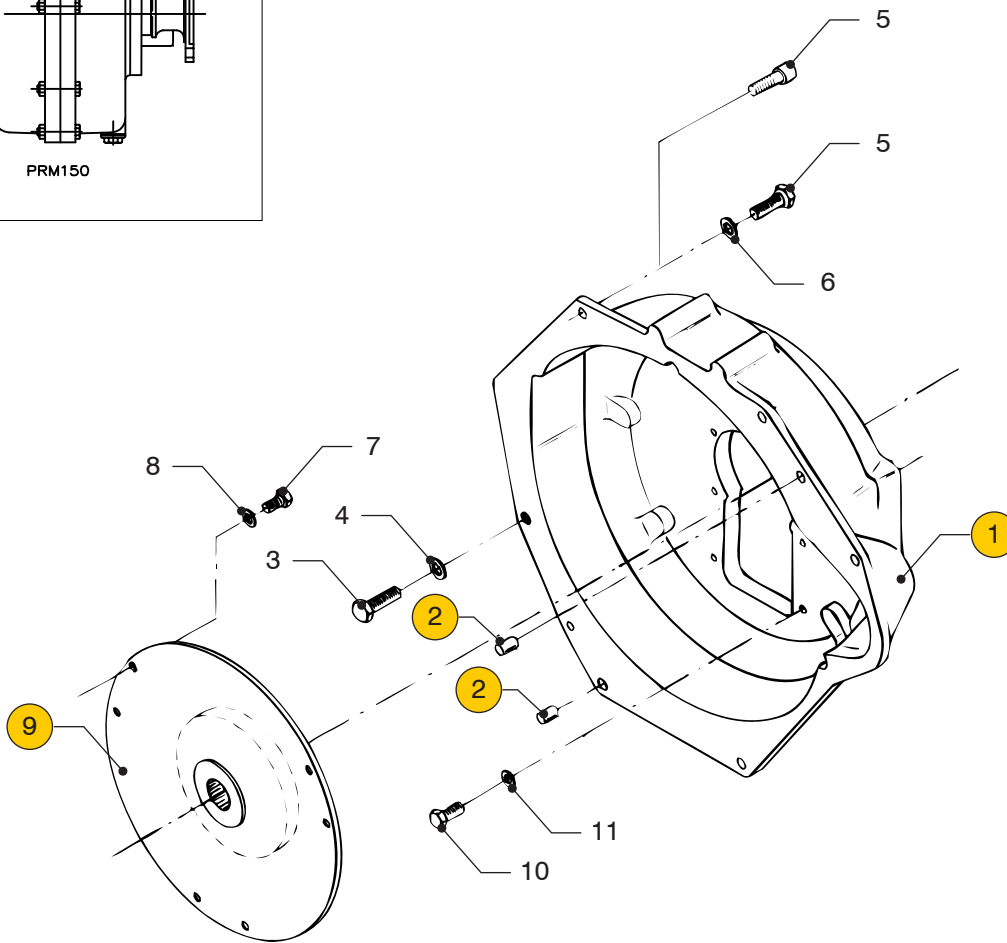
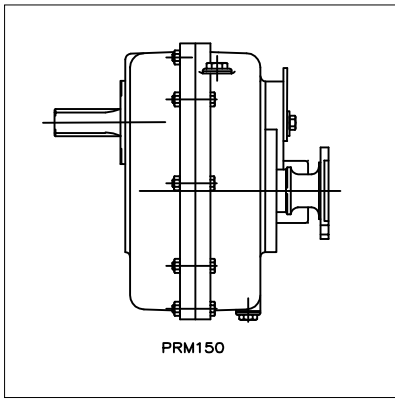


M4.17  
M4.45

Vliegwielhuis ZF25 (A)

Flywheel housing ZF25 (A)

pos.	qty	part	benaming	description
1	1	STM7567	Vliegwielhuis SAE7 Ø209,55	Flywheel housing SAE 209,55
2	2	STM3813	Paspen 10x12 ISO 2338	Pin 10x12 ISO 2338
3	1	STM7053	Bout M12x1,25x30	Bolt M12x1.25x30
4	1	STM4003	Veerring M12	Spring washer M12
5	4	STM7053	Bout M12x1,25x30 (04-2016 <-)	Bolt M12x1.25x30 (04-2016 <-)
	4	16-4138	Inbusbout M12x1,25x30 (-> 04-2016)	Allen screw M12x1.25x30 (-> 04-2016)
6	4	STM4056	Gegolfde veerring M12 (04-2016 <-)	Wave spring washer M12 (04-2016 <-)
	-	STM4056	Gegolfde veerring M12 (-> 04-2016)	Wave spring washer M12 (-> 04-2016)
7	6	STM4055	Bout M8x1,25x16	Bolt M8x1.25x16
8	6	STM1056	Veerring M8	Spring washer M8
9	1	STM7609	Demperplaat sae splines z=26	Damperplate sae splines z=26
10	1	STM8277	Adapterplaat SAE7 -> Ø92	Adapter plate SAE7 -> Ø92
11	6	STM9003	Bout M10x1,5x25	Bolt M10x1.5x25
12	6	STM4003	Gegolfde veerring M10	Wave spring washer M10
13	6	STM9003	Bout M10x25	Bolt M10x25
14	6	STM4003	Gegolfde veerring M10	Wave spring washer M10

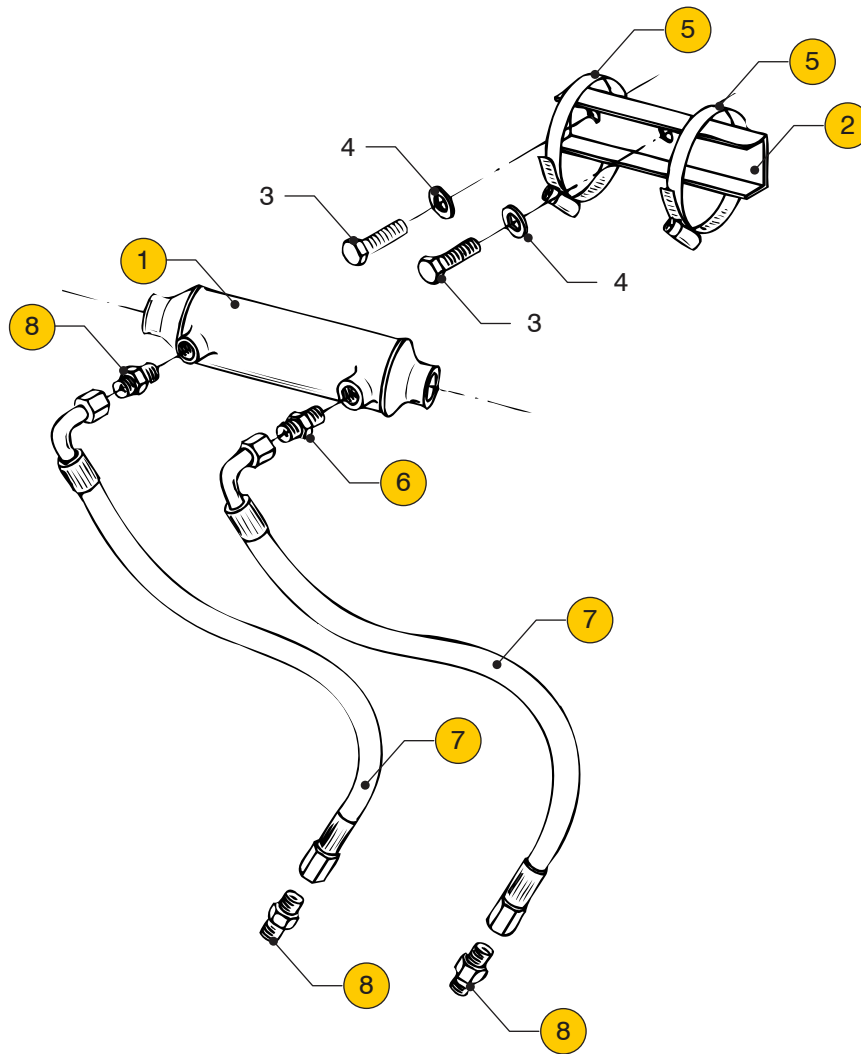


M4.17  
M4.45

Vliegwielhuis PRM150

Flywheel housing PRM150

pos.	qty	part	benaming	description
1	1	STM7566	Vliegwielhuis Ø88	Flywheel housing Ø88
2	2	STM3813	Paspen 10x12 ISO 2338	Pin 10x12 ISO 2338
3	1	STM7053	Bout M12x1,25x30	Bolt M12x1.25x30
4	1	STM4003	Veerring M12	Spring washer M12
5	4	STM7053	Bout M12x1,25x30 (04-2016 <-)	Bolt M12x1.25x30 (04-2016 <-)
	4	16-4138	Inbusbout M12x1,25x30 (-> 04-2016)	Allen screw M12x1.25x30 (-> 04-2016)
6	4	STM4056	Gegolfde veerring M12 (04-2016 <-)	Wave spring washer M12 (04-2016 <-)
	-	STM4056	Gegolfde veerring M12 (-> 04-2016)	Wave spring washer M12 (-> 04-2016)
7	6	STM4055	Bout M8x1,25x16	Bolt M8x1.25x16
8	6	STM1056	Veerring M8	Washer M8
9	1	STM4031	Demperplaat DIN splines z=10	Damperplate DIN splines z=10
10	6	STM1610	Bout M8x1,25x25	Bolt M8x1.25x25
11	6	STM1019	Gegolfde veerring M8	Spring washer M8



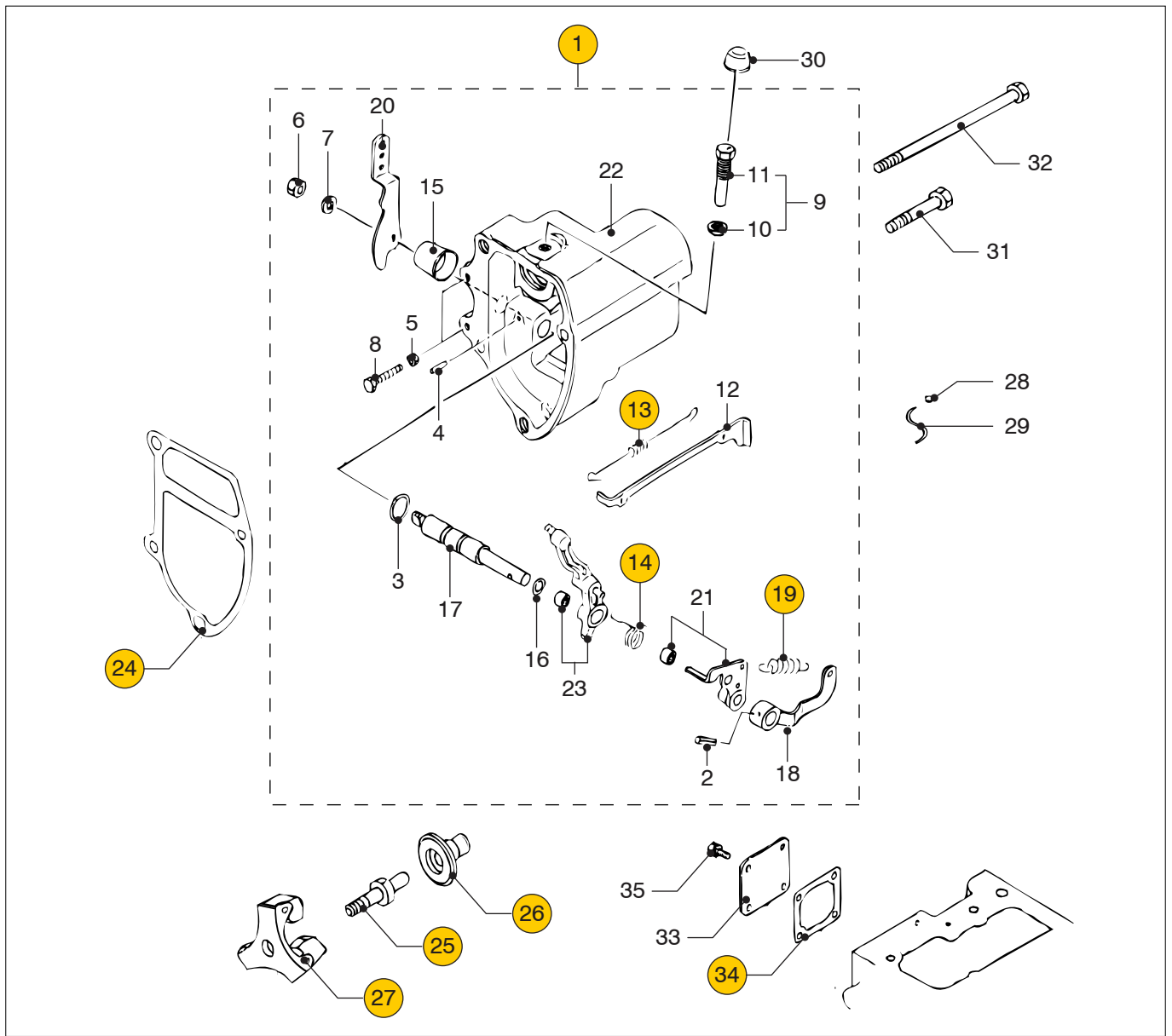
M4.15

M4.17

Oliekoeler keerkoppeling

Oil cooler gearbox

pos.	qty	part	benaming	description
1	1	STM5007	Oliekoeler 7"xø55-G3/8 slangaansluiting ø25, Interkoeling	Oilcooler 7"xø55-G3/8 hose connection ø25, Intercooling
	1	STM3771	Oliekoeler 7"xø55-G3/8 slangaansluiting ø33, Kielkoeling	Oilcooler 7"xø55-G3/8 hose connection ø33, Keelcooling
2	1	STM7568	Steun	Support
3	2	STM3355	Bout M8x1,25x20	Bolt M8x1.25x20
4	2	STM1019	Gegolfde veerring M8	Wavespring washer M8
5	2	HCS75	Slangklem 77-95	Hose clamp 77-95
6	2	STM3491	Nippel G3/8 -> M16	Nipple G3/8 -> M16
7	2	CT50079	Slang l=550	Hose l=550
8	2	STM3491	Nippel M16 -> G3/8 HSW	Nipple M16 -> G3/8 HSW

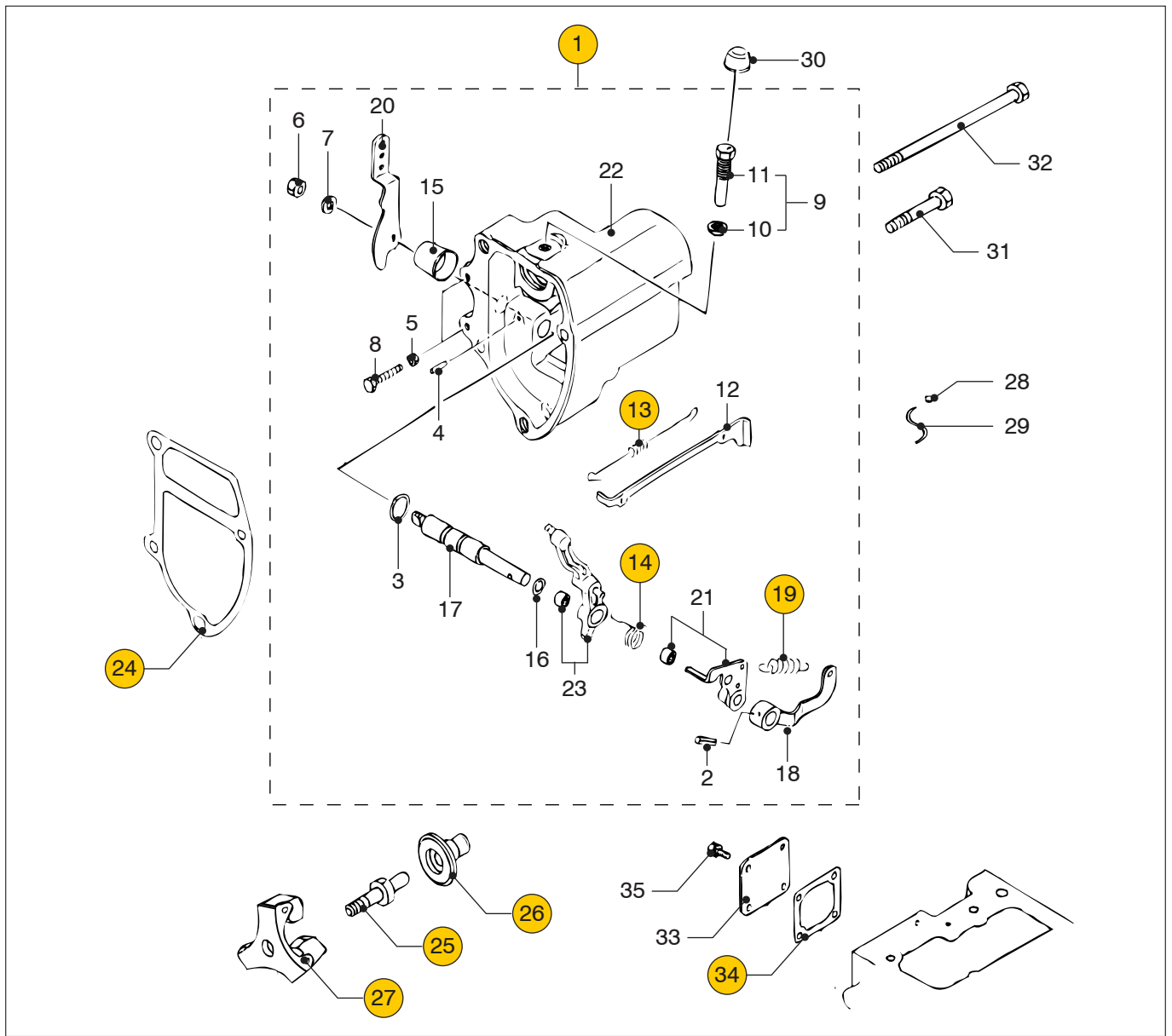


M4.15 M4.17  
M4.35 M4.45

**Regulateur**

**Regulator**

pos.	qty	part	benaming	description
1	1	STM7895	Regulateur cpl.	Regulator cpl.
2	1	STM7896	Borgpen	Pin
3	1	STM7897	O-ring	O-ring
4	1	STM7898	Pen	Pin
5	2	STM7899	Moer	Nut
6	1	STM7900	Moer	Nut
7	1	STM7901	Veerring	Spring washer
8	2	STM7902	Bout	Bolt
9	1	STM7903	Schroef+moer	Screw+nut
10	1	STM7904	Moer	Nut
11	1	STM7905	Schroef	Screw
12	1	STM7906	Stang	Tie rod
13	1	STM7907	Veer	Spring
14	1	STM7908	Veer	Spring
15	1	STM7909	Deksel	Cover
16	1	STM7910	Shim	Shim
17	1	STM7911	As	Shaft
18	1	STM7912	Hefboom	Lever



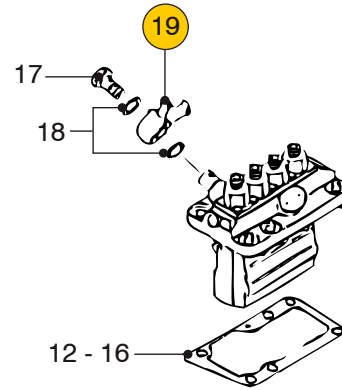
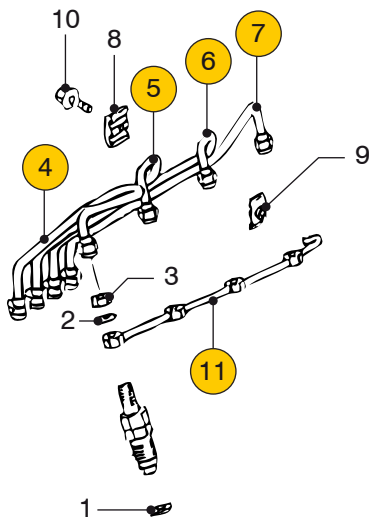
M4.15 M4.17  
M4.35 M4.45

**Regulateur**

**Regulator**

pos.	qty	part	benaming	description
19	1	STM7913	Veer	Spring
20	1	STM7914	Hefboom	Lever
21	1	STM7915	Hefboom	Lever
22	1	STM7916	Huis	Case
23	1	STM7917	Hefboom	Lever
24	1	STM7918	Pakking	Gasket
25	1	STM7919	As	Shaft
26	1	STM7920	Geleiding	Sleeve
27	1	STM7921	Gewicht	Weight
28	1	STM2718	Zegellood	Seal metal
29	1	STM7922	Zegeldraad	Sealing wire
30	1	STM7923	Kap	Cap
31	3	STM7924	Bout	Bolt
32	1	STM7925	Bout	Bolt
33	1	STM7926	Deksel	Cover
34	1	STM2734	Pakking	Gasket
35	4	STM7928	Bout	Bolt



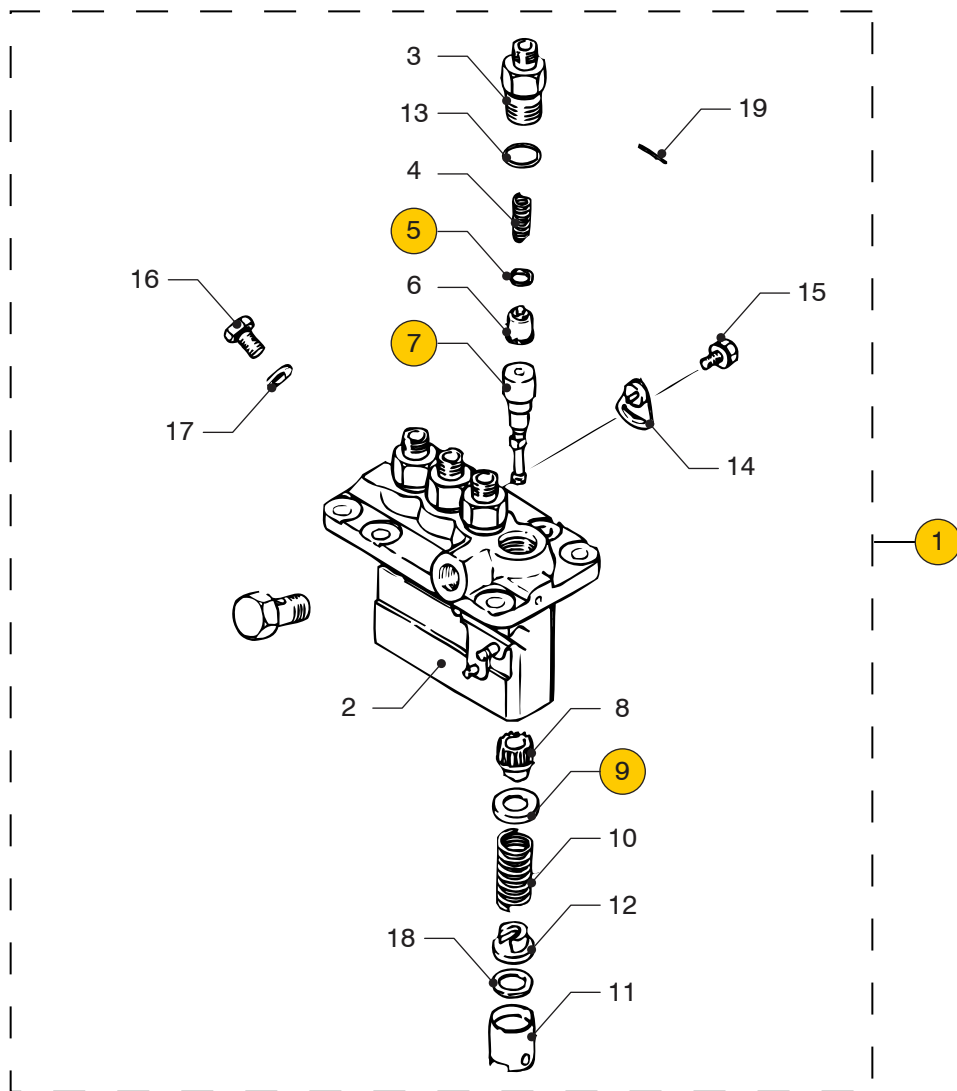


**M4.15**   **M4.17**  
**M4.35**   **M4.45**

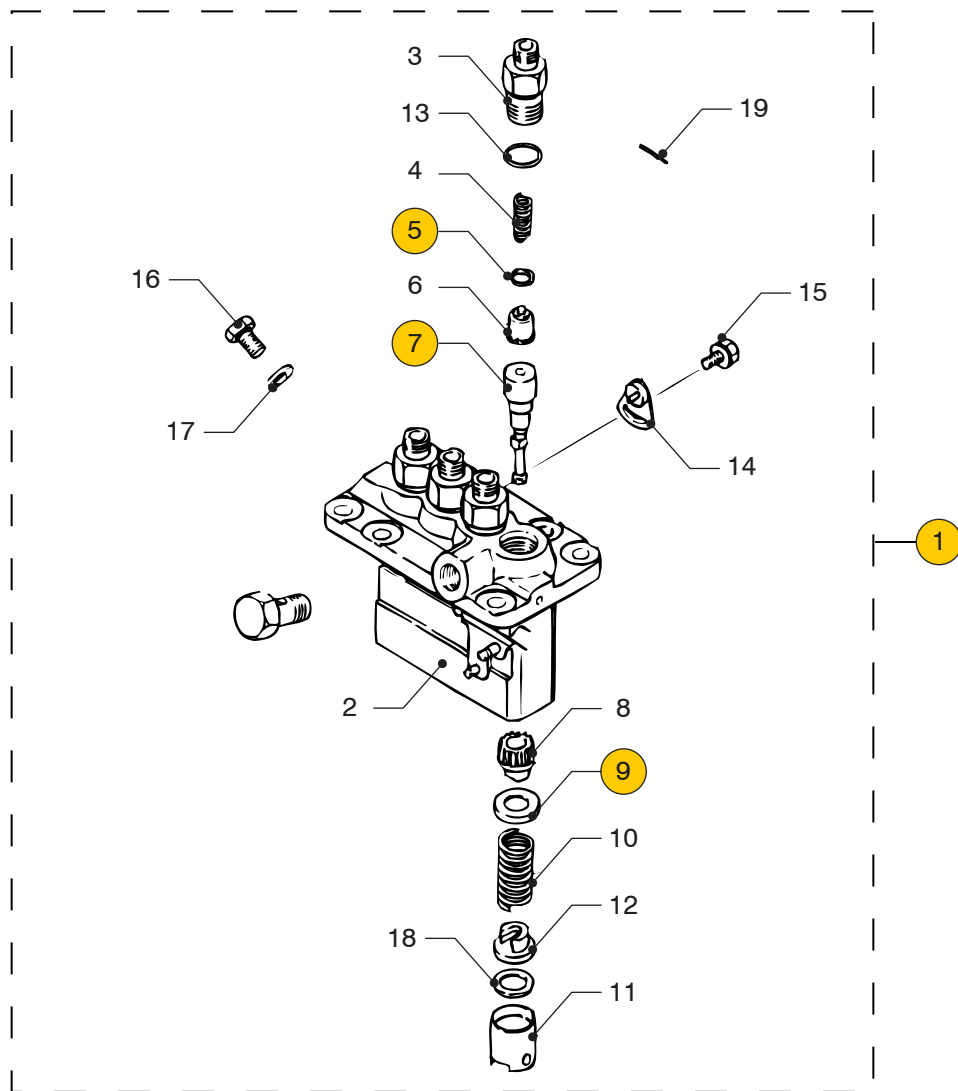
**Brandstofleidingen**

**Fuel pipes**

pos.	qty	part	benaming	description
1	4	STM1299	Pakking	Gasket
2	4	STM1303	Pakking	Gasket
3	4	STM7863	Moer	Nut
4	1	STM7864	Leiding	Pipe
5	1	STM7865	Leiding	Pipe
6	1	STM7866	Leiding	Pipe
7	1	STM7867	Leiding	Pipe
8	3	STM3409	Klem	Clamp
9	3	STM3410	Klem	Clamp
10	3	STM7868	Bout	Bolt
11	1	STM7869	Leiding	Pipe
12		STM7870	Shim 0.7	Shim 0.7
13		STM7871	Shim 0.8	Shim 0.8
14		STM7872	Shim 0.9	Shim 0.9
15		STM7873	Shim 1.0	Shim 1.0
16		STM7874	Shim 0.2	Shim 0.2
17	1	STM7875	Bout	Bolt
18	2	STM7876	Ring	Washer
19	1	STM7877	Slang pilaar	Hose pillar



	M4.15 M4.35	M4.17 M4.45	Brandstofpomp	Fuel pump
pos.	qty	part	benaming	description
①	1	STM7968	Brandstofpomp cpl.	Fuel pump cpl.
	1	STM9971	Brandstofpomp cpl. M4.17 serienr. 113342 ->	Fuel pump cpl. M4.17 serial nr. 113342 ->
2	4	STM7969	Huis	Housing
3	4	STM7970	Houder	Holder
		STM9962	Houder M4.17 serienr. 113342 ->	Holder M4.17 serial nr. 113342 ->
4	4	STM7971	Veer	Spring
		STM9963	Veer M4.17 serienr. 113342 ->	Spring M4.17 serial nr. 113342 ->
⑤	4	STM7972	Pakking	Gasket
6	4	STM7973	Klep	Valve
		STM9964	Klep M4.17 serienr. 113342 ->	Valve M4.17 serial nr. 113342 ->
⑦	4	STM7974	Element	Element
		STM9965	Element M4.17 serienr. 113342 ->	Element M4.17 serial nr. 113342 ->
8	4	STM7975	Geleider	Sleeve
⑨	4	STM7976	Zitting	Seat
10	4	STM7977	Veer	Spring
11	4	STM7978	Stoter	Tappet



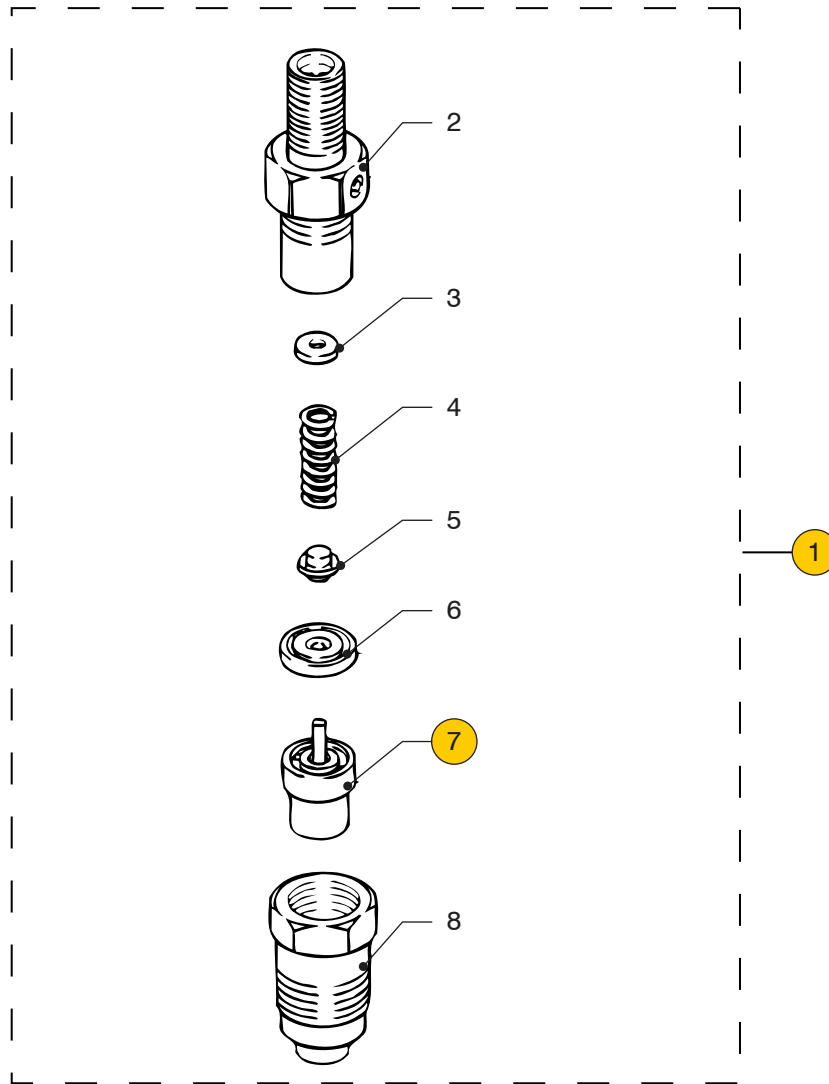
**M4.15**  
**M4.35**

**M4.17**  
**M4.45**

**Brandstofpomp**

**Fuel pump**

pos.	qty	part	benaming	description
12	4	STM7979	Zitting	Seat
13	4	STM7980	O-ring	O-ring
14	3	STM7981	Stelplaat	Plate
15	3	STM7982	Bout	Bolt
16	1	STM7983	Schroef	Screw
17	1	STM7985	Ring	Washer
18	1	STM7986	Shim	Shim
19	1	STM7987	Pen	Pin

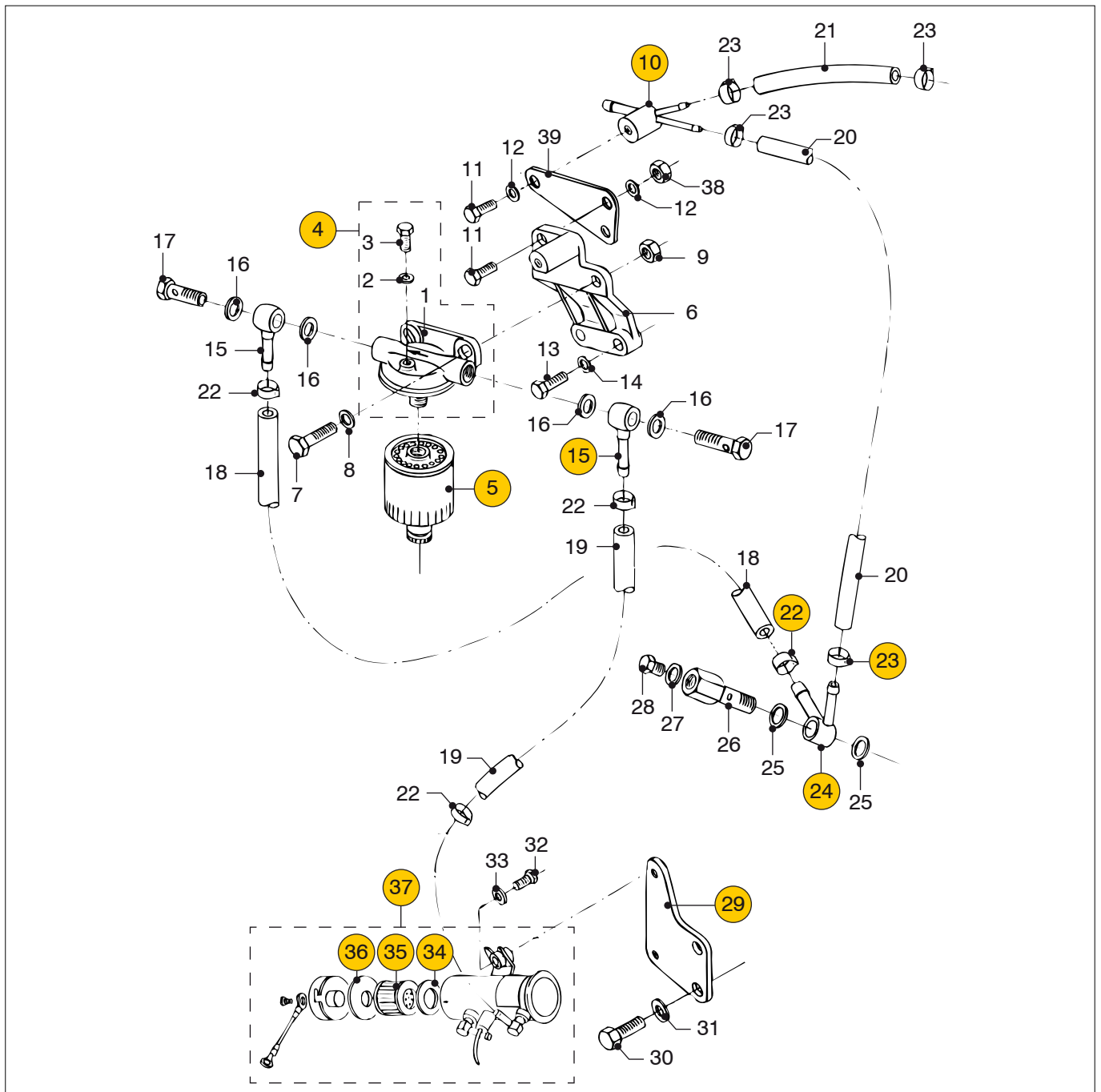


**M4.15**   **M4.17**  
**M4.35**   **M4.45**

**Verstuiverhouder**

**Nozzle holder**

pos.	qty	part	benaming	description
①	1	STM1298	Verstuiverhouder cpl.	Nozzle holder cpl.
2	1	STM7879	Verstuiverhouder	Nozzle holder
3		STM7880	Ring 1.25	Washer 1.25
		STM7881	Ring 1.3	Washer 1.3
		STM7882	Ring 1.35	Washer 1.35
		STM7883	Ring 1.4	Washer 1.4
		STM7884	Ring 1.45	Washer 1.45
		STM7885	Ring 1.5	Washer 1.5
		STM7886	Ring 1.55	Washer 1.55
		STM7887	Ring 1.6	Washer 1.6
		STM7888	Ring 1.65	Washer 1.65
		STM7889	Ring 1.7	Washer 1.7
4	4	STM7890	Veer	Spring
5	4	STM7891	Pen	Pin
6	4	STM7892	Afstandstuk	Distance piece
⑦	4	STM1391	Verstuiver	Nozzle
8	4	STM7894	Moer	Nut



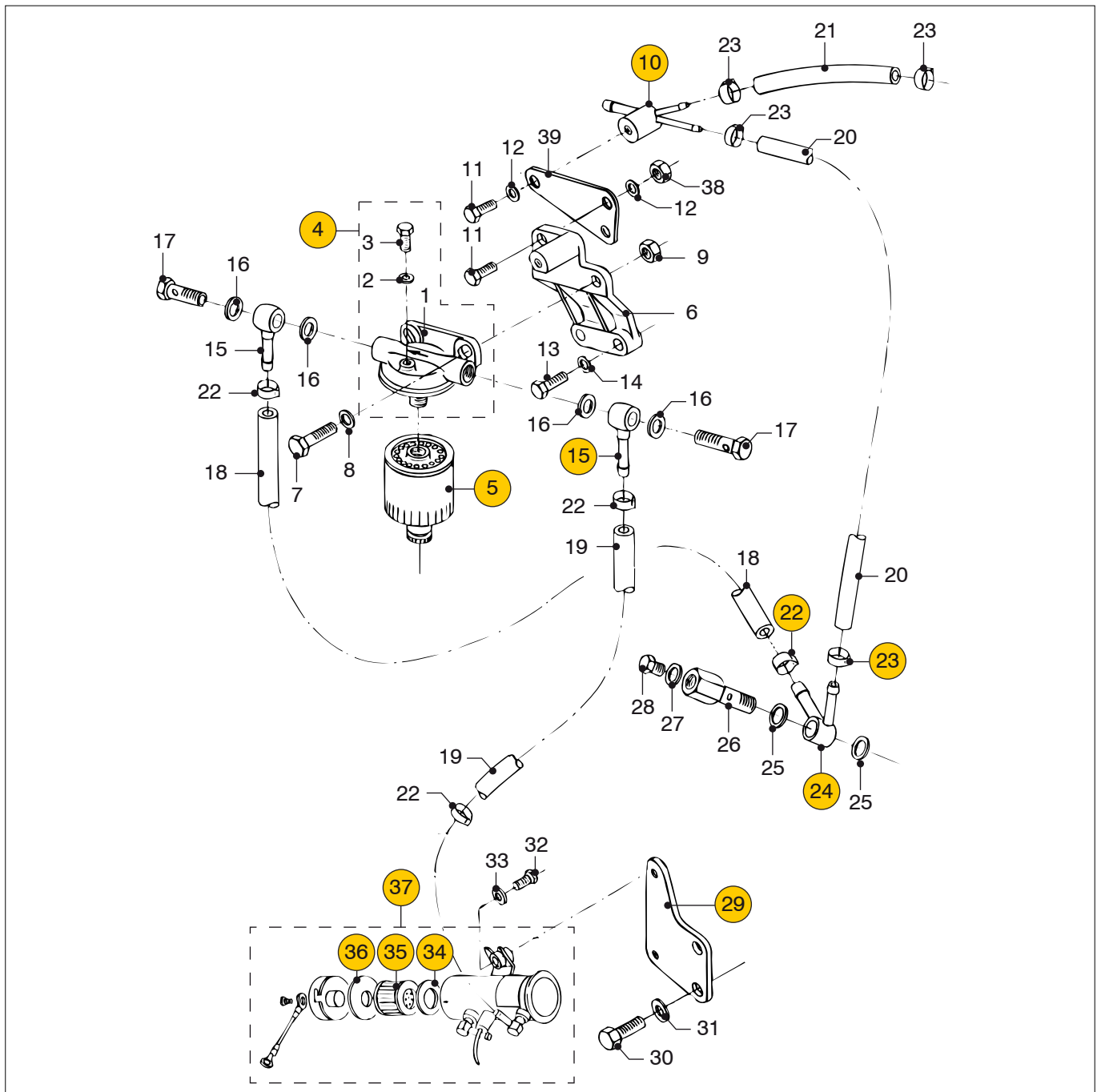
**M4.15**

**M4.17**

**Brandstoffilter**

**Fuel filter**

pos.	qty	part	benaming	description
1	1	STM6050	Filterkop	Filter head
2	1	STM3797	Afdichtring	Seal washer
3	1	STM3796	Bout M8x1,25x10	Bolt M8x1.25x10
4	1	STM6049	Filterkop compleet 1+2+3	Filterkop cpl. 1+2+3
5	1	STM3690	Brandstoffilter	Fuel filter
6	1	STM6115	Steun	Support
7	2	STM4013	Bout M10x1,5x30	Bolt M10x1.5x30
8	2	STM4061	Gegolfde veerring M10	Wave spring washer M10
9	2	STM4018	Moer M10	Nut M10
10	1	STM6180	Nippel	Nipple
11	2	STM1030	Bout M6x1x20	Bolt M6x1x20
12	2	STM1025	Gegolfde veerring M6	Wave spring washer M6
13	2	STM7059	Bout M8x1,25x30	Bolt M8x1.25x30
14	2	STM1019	Gegolfde veerring M8	Wave spring washer M8



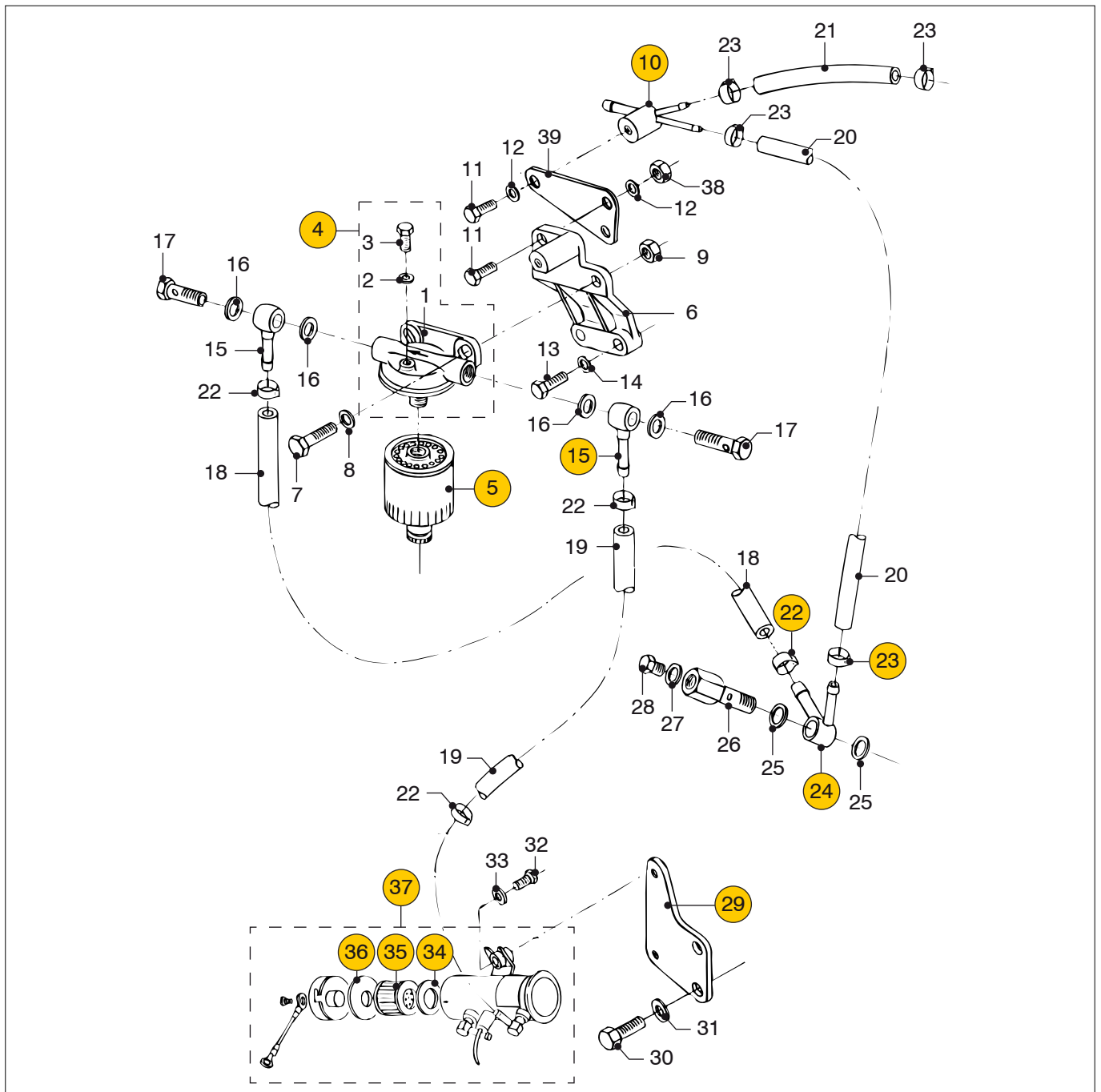
**M4.15**

**M4.17**

**Brandstoffilter**

**Fuel filter**

pos.	qty	part	benaming	description
15	2	STM9262	Banjo-oog	Banjo eye
16	4	STM7056	Afdichtring	Seal washer
17	2	STM8057	Banjo bout M12x1	Banjo bolt M12x1
18	1	STM6581	Brandstofslang ø8 440 mm	Fuel hose ø8 440 mm
19	1	STM6581	Brandstofslang ø8 440 mm	Fuel hose ø8 440 mm
20	1	STM7598	Brandstofslang ø5 450 mm	Fuel hose ø5 450 mm
21	1	STM7599	Brandstofslang ø5 110 mm	Fuel hose ø5 110 mm
22	4	STM6185	Klem	Clamp
23	4	STM6186	Klem	Clamp
24	1	STM7877	Slangpilaar	Hose pillar
25	2	STM7876	Afdichtring	Seal washer
26	1	STM7988	Banjo-bout	Banjo bolt
27	1	STM7989	Afdichtring	Seal washer
28	1	STM7990	Bout	Bolt



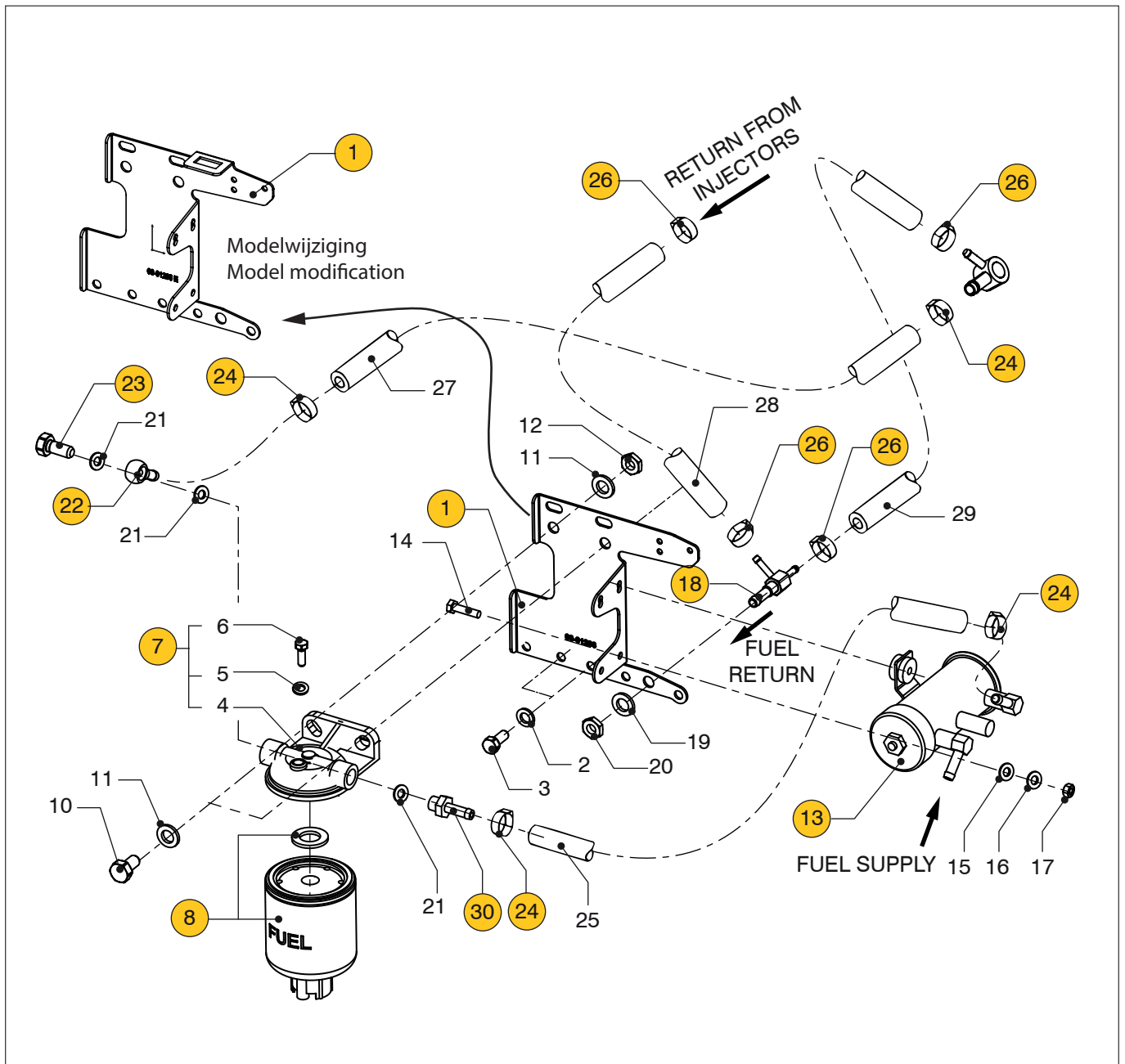
**M4.15**

**M4.17**

**Brandstofffilter**

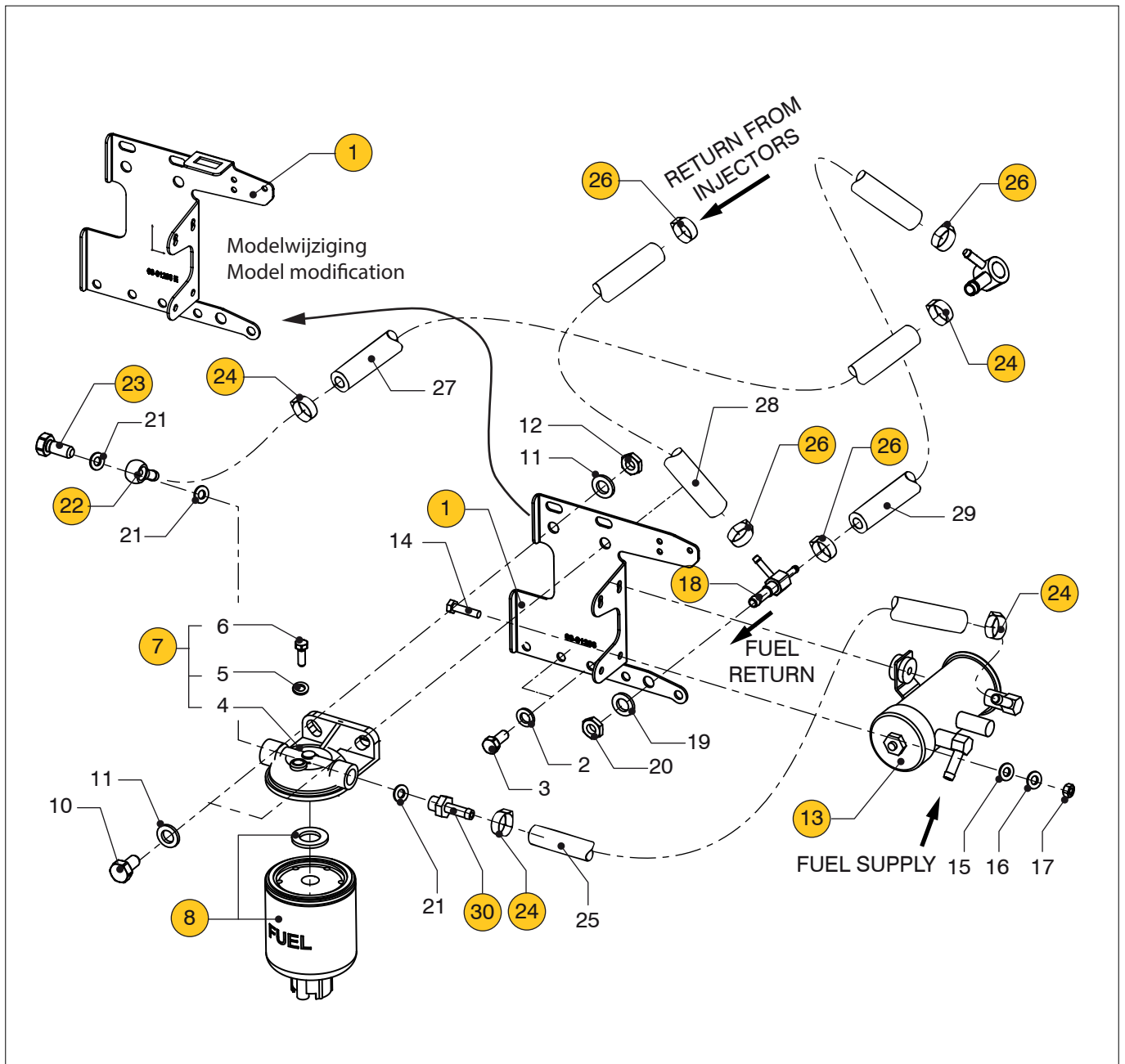
**Fuel filter**

pos.	qty	part	benaming	description
29	1	STM7572	Steun	Support
30	2	STM3817	Bout M12x1,25x25	Bolt M12x1.25x25
31	2	STM4003	Veerring M12	Spring washer M12
32	2	STM1030	Bout M6x1x20	Bolt M6x1x20
33	2	CT40029	Veerring M6	Spring washer M6
34	1	STM4037	Pakking	Gasket
35	1	STM4050	Filter	Filter
36	1	STM4038	Pakking	Gasket
37	1	STM4049	Electrische brandstofopvoerpomp	Electrical fuel lift pump
38	1	STM3260	Moer M6	Nut M6
39	1	STM6291	Steun	Support

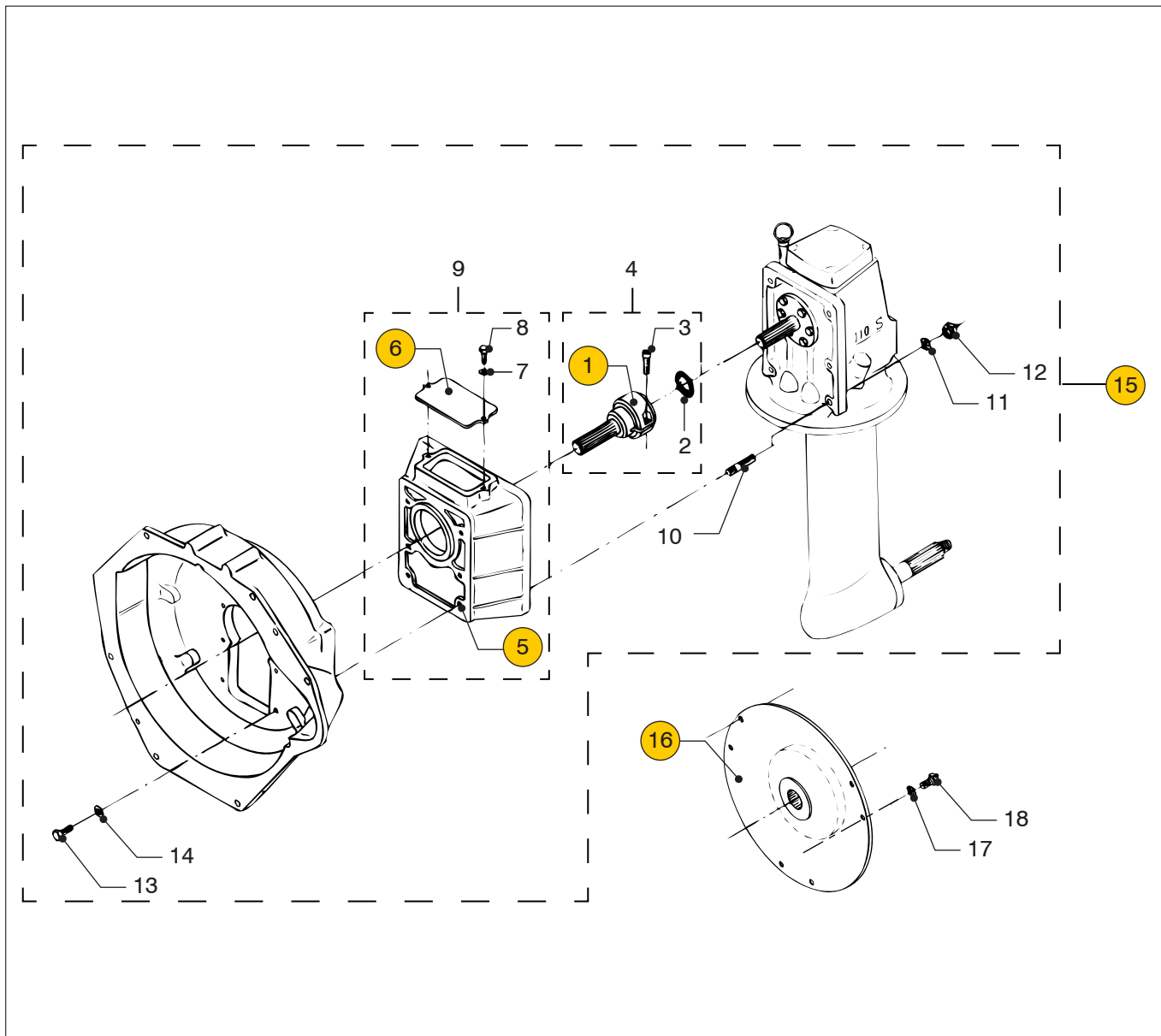


M4.35		M4.45		Brandstoffilter	Fuel filter
pos.	qty	part	benaming	description	
1	1	08-01286	Steun <-11-2021	Support <-11-2021	
	1	08-01286E	Steun 11-2021 ->	Support 11-2021 ->	
	2	STM1056	Veerring M8	Spring washer M8	
	2	STM4055	Bout M8x16	Bolt M8x16	
	1	STM6050	Filterkop	Filter head	
	1	STM3779	Afdichtring	Seal washer	
	1	STM3796	Bout M8x1,25x10	Bolt M8x1,25x10	
7	1	STM6049	Filterkop compleet 4+5+6	Filter heat cpl. 4+5+6	
8	1	STM3690	Brandstof filter	Fuel filter	
	2	STM4016	Bout M10x1,5x20	Bolt M10x1,5x20	
	4	STM4061	Gegolfde veerring M10	Wave spring washer M10	
	2	STM4018	Moer M10	Nut M10	
13	1	STM4049	Electrische brandstofopvoerpomp	Electric fuel lift pump	
	2	STM8372	Bout M6x25	Bolt M6x25	
	2	STM8726	Sluitring M6	Plain washer M6	
	2	STM1025	Gegolfde veerring M6	Wave spring washer M6	





		Brandstoffilter	Fuel filter	
M4.35	M4.45			
pos.	qty	part	benaming	description
	17	2 STM8129	Zelfborgende moer M6	Nyloc nut M6
	18	1 08-01302	Brandstof retour nippel Ø8mm	Fuel return nipple Ø8mm
	19	1 STM2022	Gegolfde veerring M10	Wave spring washer M10
	20	1 08-01289	Lage moer M10x1	Thin nut M10x1
	21	3 STM7056	Afdichtring M12	Seal washer M12
	22	1 STM9262	Banjo-oog	Banjo eye
	23	1 STM8057	Banjo bout M12x1	Banjo bolt M12x1
	24	4 STM6185	Klem	Clamp
	25	1 08-01304	Slang Ø8 L=170 mm	Hose Ø8 L=170 mm
	26	4 STM6186	Klem	Clamp
	27	1 08-01305	Slang Ø8 L=580 mm	Hose Ø8 L=580 mm
	28	1 08-01306	Slang Ø5 L=200 mm	Hose Ø5 L=200 mm
	29	1 STM7598	Slang Ø5 L=450 mm	Hose Ø5 L=450 mm
	30	1 STM4591	Slangpilaar M12x1-Ø8	Hose pilar M12x1-Ø8

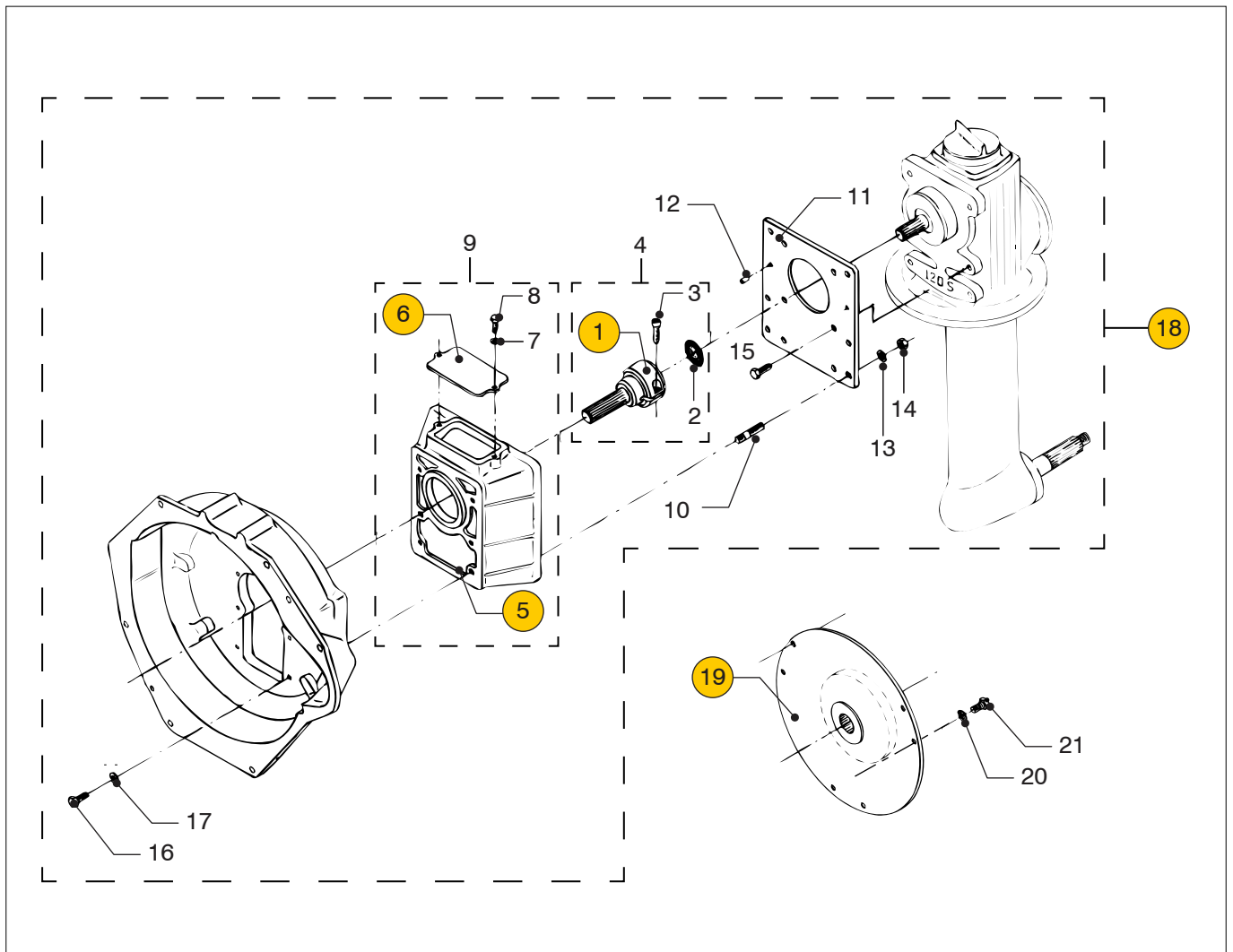


**M4.15** **M4.17**  
**M4.35** **M4.45**

**Verloopset saildrive 110S**

**Adaptor kit saildrive 110S**

pos.	qty	part	benaming	description
1	1	STM7605	Koppeling	Coupling
2	1	STM7607	O-ring	O-ring
3	2	STM8332	Inbusbout M8x30	Allen screw M8x30
4	1	STM7611	Koppeling compleet (1+2+3)	Coupling cpl.(1+2+3)
5	1	STM7601	Adapterhuis	Adaptor case
6	1	STM7603	Deksel	Cover
7	2	STM1025	Gegolfde veerring M6	Wave spring washer M6
8	2	STM1024	Bout M6x15	Bolt M6x15
9	1	STM7612	Adapterhuis cpl. (5+6+7+8)	Adaptor case cpl. (5+6+7+8)
10	6	STM7615	Tapeind M10x45	Stud M10x45
11	6	STM2022	Gegolfde veerring M10	Vave spring washer M10
12	6	STM4018	Moer M10	Nut M10
13	6	STM1651	Bout M8x35	Bolt M8x35
14	6	STM1019	Gegolfde veerring M8	Wave spring washer M8
15	1	STM7614	Aanbouwset cpl.	Adaptor kit cpl.
16	1	STM4054	Demperplaat DIN splines Z=10	Damper plate DIN splines Z=10
17	6	STM1056	Veerring M8	Spring washer M8
18	6	STM4055	Bout M8x1,25x16	Bolt M8x1.25x16

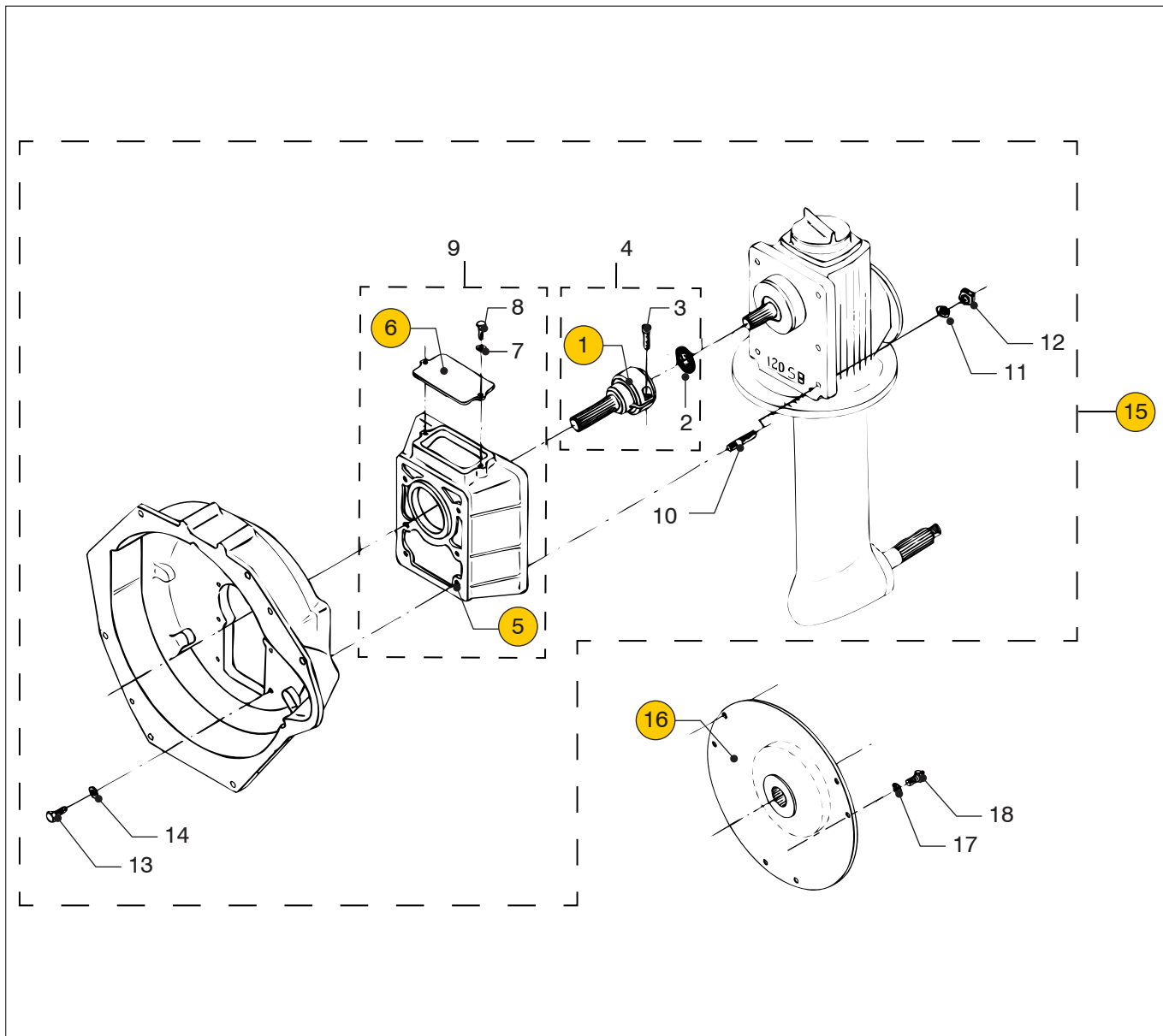


**M4.15** **M4.17**  
**M4.35** **M4.45**

**Verloopset saildrive 120S**

**Adaptor kit saildrive 120S**

pos.	qty	part	benaming	description
1	1	STM7606	Koppeling	Coupling
2	1	STM7608	O-ring	O-ring
3	2	STM8332	Inbusbout M8x30	Allen screw M8x30
4	1	STM7616	Koppeling compleet (1+2+3)	Coupling cpl. (1+2+3)
5	1	STM7601	Adapterhuis	Adaptor case
6	1	STM7603	Deksel	Cover
7	2	STM1025	Gegolfde veerring M6	Wave spring washer M6
8	2	STM1024	Bout M6x15	Bolt M6x15
9	1	STM7612	Adapterhuis cpl. (5+6+7+8)	Adaptor case cpl. (5+6+7+8)
10	6	STM7620	Tapeind M10x20	Stud M10x20
11	1	STM7604	Adapterflens	Adaptor flange
12	2	STM2507	Paspen ø8x12	Pin ø8x12
13	6	STM2022	Gegolfde veerring M10	Wave spring washer M10
14	6	STM4018	Moer M10	Nut M10
15	6	STM8391	Bout M10x25 (sw16)	Bolt M10x25
16	6	STM1651	Bout M8x35	Bolt M8x35
17	6	STM1019	Gegolfde veerring M8	Wave spring washer M8
18	1	STM7621	Aanbouwset cpl.	Adator kit cpl.
19	1	STM4054	Demperplaat DIN splines Z=10	Damper plate DIN splines Z=10
20	6	STM1056	Veerring M8	Spring washer M8
21	6	STM4055	Bout M8x1,25x16	Bolt M8x1.25x16

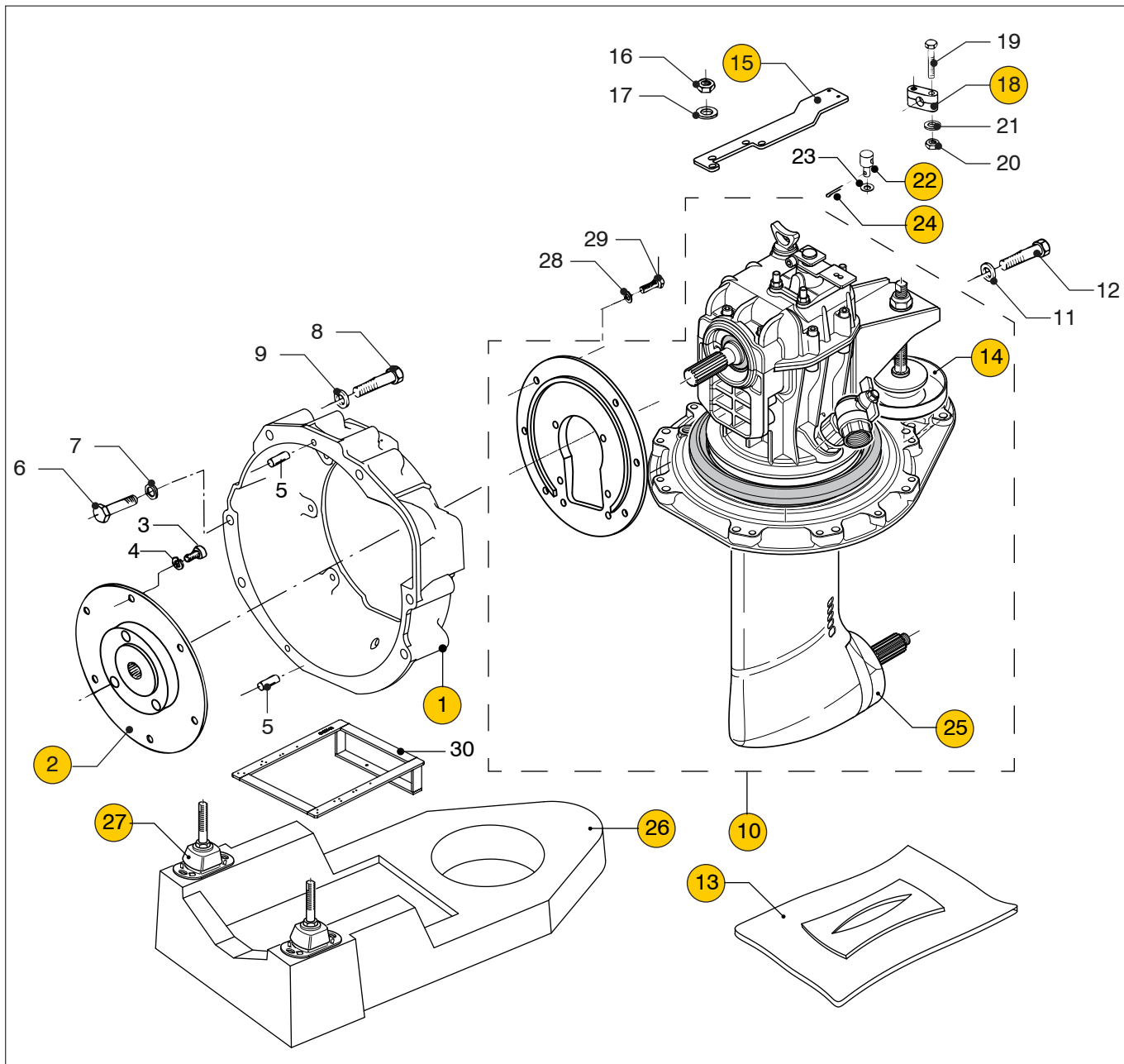


**M4.15**   **M4.17**  
**M4.35**   **M4.45**

**Verloopset saildrive 120SB**

**Adaptor kit saildrive 120SB**

pos.	qty	part	benaming	description
1	1	STM7606	Koppeling	Coupling
2	1	STM7608	O-ring	O-ring
3	2	STM8332	Inbusbout M8x30	Allen screw M8x30
4	1	STM7616	Koppeling compleet (1+2+3)	Coupling cpl. (1+2+3)
5	1	STM7602	Adapterhuis	Adaptor case
6	1	STM7603	Deksel	Cover
7	2	STM1025	Gegolfde veerring M6	Wave spring washer M6
8	2	STM1024	Bout M6x15	Bolt M6x15
9	1	STM7617	Adapterhuis cpl. (5+6+7+8)	Adaptor case cpl. (5+6+7+8)
10	6	STM7618	Tapeind M10x35	Stud M10x35
11	6	STM2022	Gegolfde veerring M10	Wave spring washer M10
12	6	STM4018	Moer M10	Nut M10
13	6	STM1651	Bout M8x35	Bolt M8x35
14	6	STM1019	Gegolfde veerring M8	Wave spring washer M8
15	1	STM7619	Aanbouwset cpl.	Adaptor kit cpl.
16	1	STM4054	Demperplaat DIN splines Z=10	Damper plate DIN splines Z=10
17	6	STM1056	Veerring M8	Spring washer M8
18	6	STM4055	Bout M8x1,25x16	Bolt M8x1.25x16



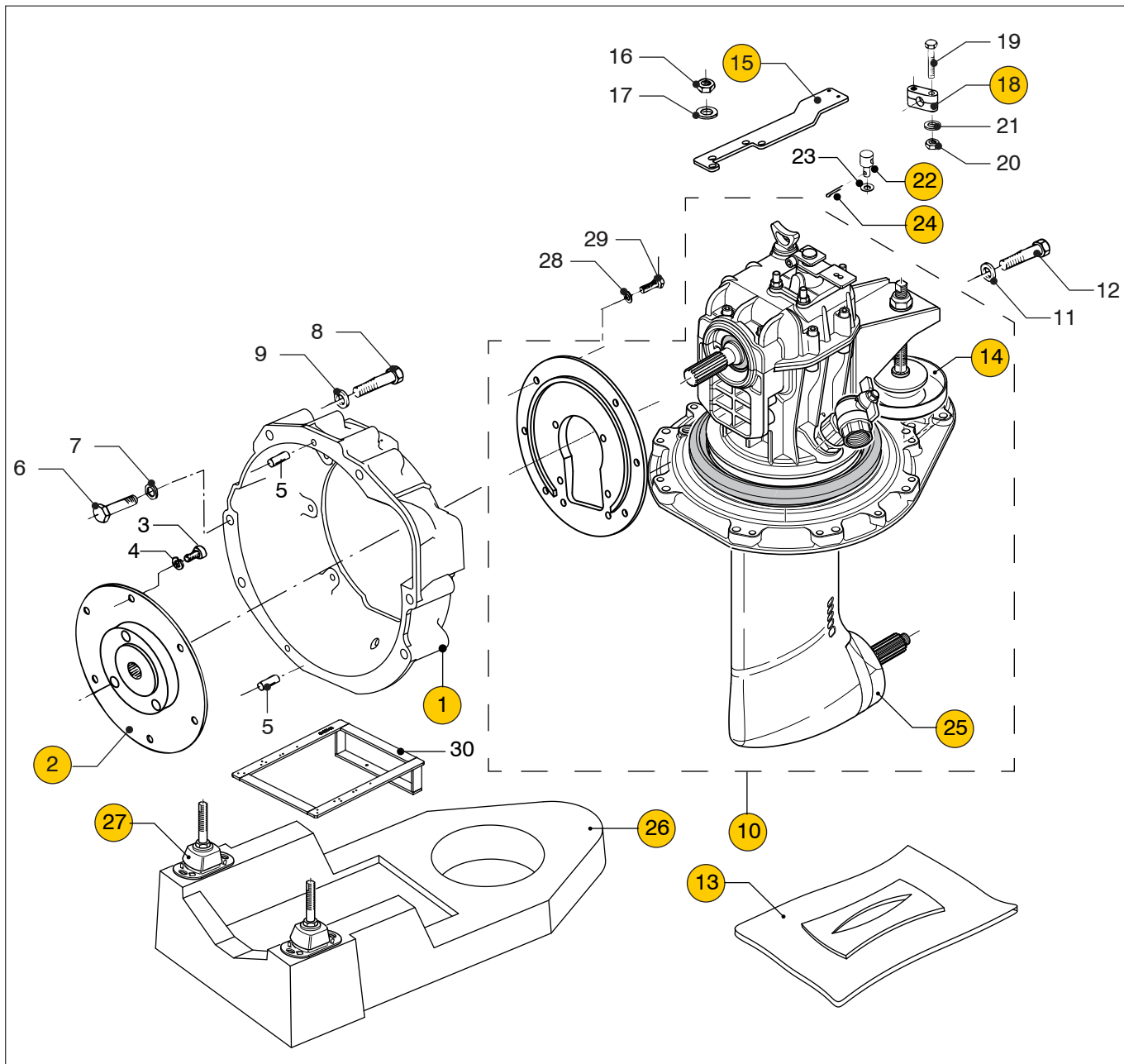
M4.15

M4.17

Saildrive ZF SD10

Saildrive ZF SD10

pos.	qty	part	benaming	description
1	1	STM7567	Vliegwielhuis SAE 7 ø 209,55	Flywheel housing SAE 7 ø 209,55
2	1	STM4054	Demperplaat DIN5464 Z=10	Damperplate DIN5464 Z=10
3	6	STM4055	Bout M8x1,25x16	Bolt M8x1.25x16
4	6	STM1056	Veerring M8	Spring washer M8
5	2	STM3813	Paspen 10x12 ISO 2338	Pin 10x12 ISO 2338
6	1	STM7053	Bout M12x1,25x30	Bolt M12x1.25x30
7	1	STM4003	Veerring M12	Spring washer M12
8	4	STM7053	Bout M12x1,25x30	Bolt M12x1.25x30
9	4	STM4056	Gegolfde veerring M12	Wave spring washer M12
10	1	STM5800	ZF saildrive SD10 2,23R	ZF saildrive SD10 2.23R
	1	STM5801	ZF saildrive SD10 2,49R	ZF saildrive SD10 2.49R
11	6	STM4061	Gegolfde veerring M10	Wave spring washer M10
12	6	STM5017	Bout 7/16"UNCx30	Bolt 7/16"UNCx30
13	1	STM9317	Rubber afdichting	Gummi seal
14	1	STM9318	Demper	Damper
15	1	STM1851	Steun	Support



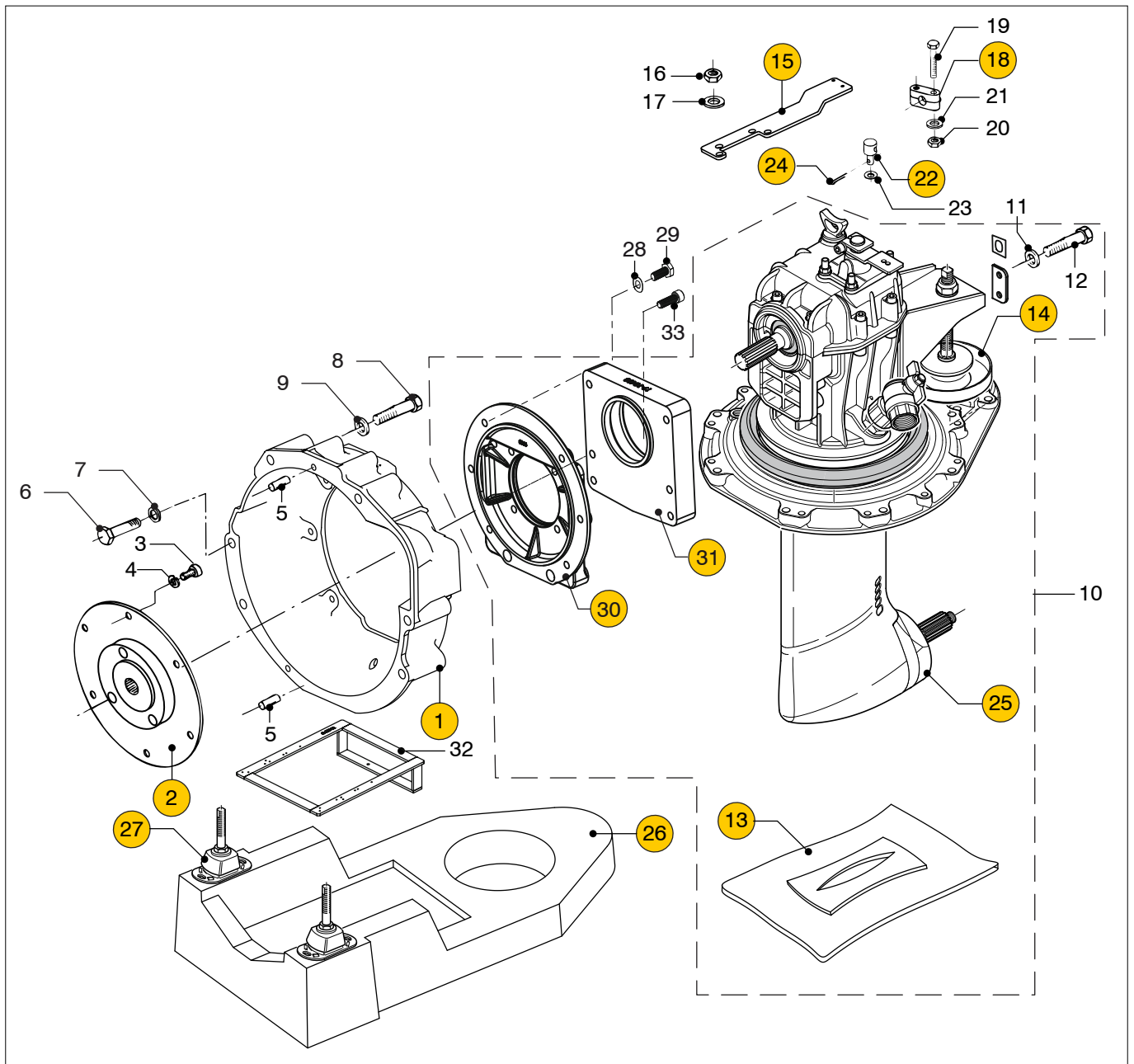
M4.15

M4.17

Saildrive ZF SD10

Saildrive ZF SD10

pos.	qty	part	benaming	description
16	2	STM2005	Moer M8	Nut M8
17	2	STM1056	Veerring M8	Spring washer M8
18	1	STM1703	Kabelklem	Cable clamp
19	2	STM1704	Bout M5x25	Bolt M5x25
20	2	STM1705	Moer M5	Nut M5
21	2	STM1707	Ring	Washer
22	1	STM1806	Nippel	Nipple
23	2	STM1807	Ring	Ring
24	1	STM1808	Splitpen 2x25	Split pin 2x25
25	1	STM9352	Zinkanode	Zinc anode
26	1	STM9320	Fundatie	Engine bed
27	2	KSTEUN100V	Trillingdemper	Flexible engine mounting
28	6	STM4003	Gegolfde veerring M10	Wave spring washer M10
29	6	STM9003	Bout M10 x 1,5 x 25	Bolt M10 x 1.5 x 25
30	1	20-20343	Boormal	Drilling template



M4.35

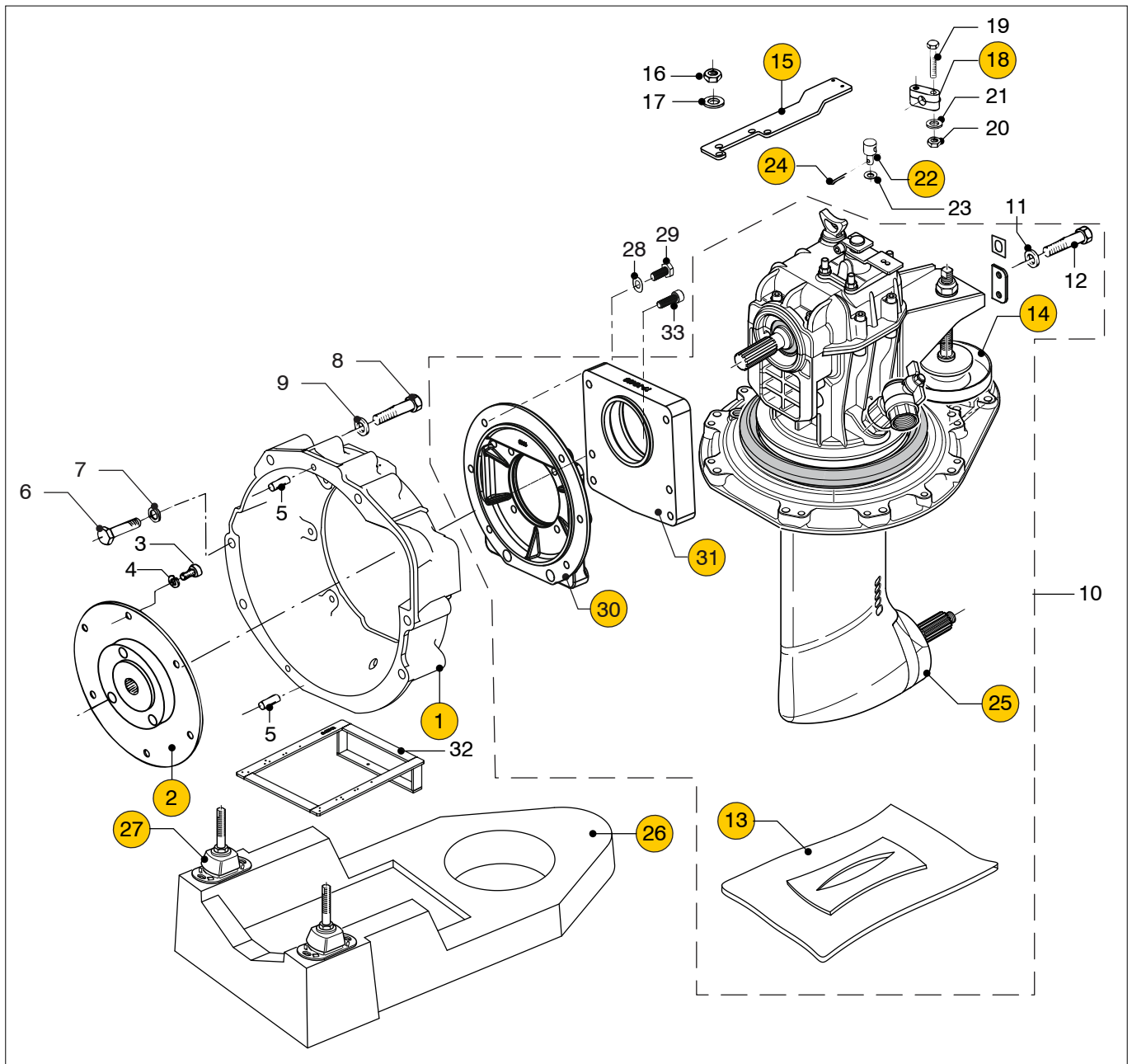
M4.45

Saildrive ZF SD10 06-2020 ->

Saildrive ZF SD10 06-2020 ->

pos.	qty	part	benaming	description
1	1	STM7567	Vliegwielhuis SAE 7 $\varnothing$ 209,55	Flywheel housing SAE 7 $\varnothing$ 209,55
2	1	STM4104	Demperplaat DIN5464 Z=10	Damperplate DIN5464 Z=10
3	6	STM4055	Bout M8x1,25x16	Bolt M8x1.25x16
4	6	STM1056	Veerring M8	Spring washer M8
5	2	STM3813	Paspfen 10x12 DIN7	Pin 10x12 DIN7
6	1	STM7053	Bout M12x1,25x30	Bolt M12x1.25x30
7	1	STM4003	Veerring M12	Spring washer M12
8	4	STM7053	Bout M12x1,25x30	Bolt M12x1.25x30
9	4	STM4056	Gegolfde veerring M12	Wave spring washer M12
10	1	STM5800	ZF saildrive SD10 2,23R	ZF saildrive SD10 2.23R
	1	STM5801	ZF saildrive SD10 2,49R	ZF saildrive SD10 2.49R
11	6	STM4061	Gegolfde veerring M10	Wave spring washer M10
12	6	STM7009	Bout M10x75	Bolt M10x75
13	1	STM9317	Rubber afdichting	Gummi seal
14	1	STM9318	Demper	Damper
15	1	STM1851	Steun	Support
16	2	STM2005	Moer M8	Nut M8



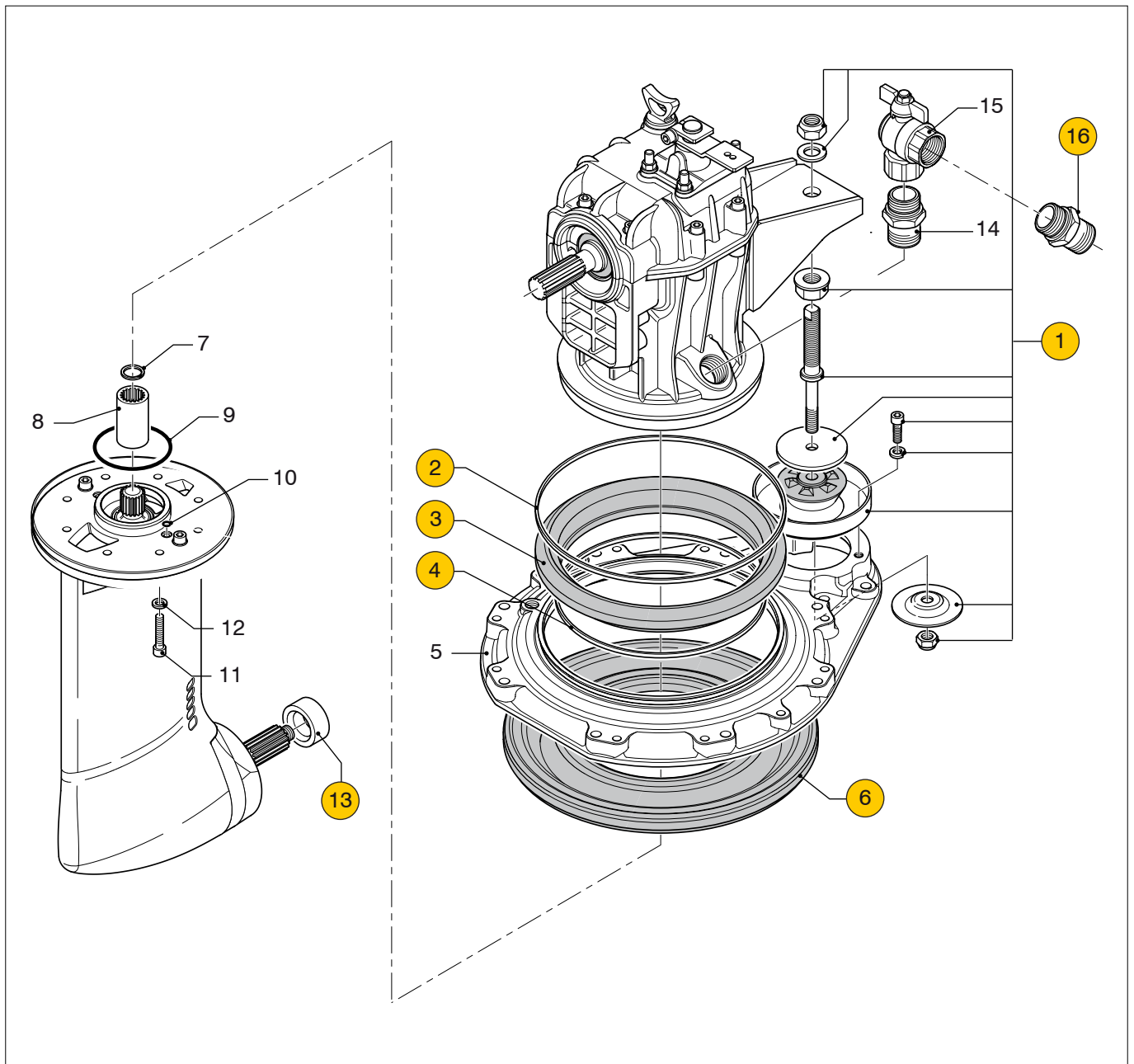


M4.35 M4.45 Saildrive ZF SD10 06-2020 ->

Saildrive ZF SD10 06-2020 ->

pos.	qty	part	benaming	description
17	2	STM1056	Veerring M8	Spring washer M8
18	1	STM1703	Kabelklem	Cable clamp
19	2	STM1704	Bout M5x25	Bolt M5x25
20	2	STM1705	Moer M5	Nut M5
21	2	STM1707	Ring	Washer
22	1	STM1806	Nippel	Nipple
23	2	STM1807	Ring	Ring
24	1	STM1808	Splitpen 2x25	Split pin 2x25
25	1	STM9352	Zinkanode	Zinc anode
26	1	STM9320	Fundatie	Engine bed
27	2	KSTEUN100V	Trillingdemper	Flexible engine mounting
28	4	STM4061	Gegolfde veerring M10	Wave spring washer M10
29	4	STM9003	Bout M10 x 1,5 x 25	Bolt M10 x 1.5 x 25
30	1	STM9914	Adapterplaat	Adapter plate
31	1	19-18488	Adapter	Adapter
32	1	20-20343	Boormal	Drilling template
33	2	STM3842	Inbusbout M10 x 25	Allen screw M10 x 25





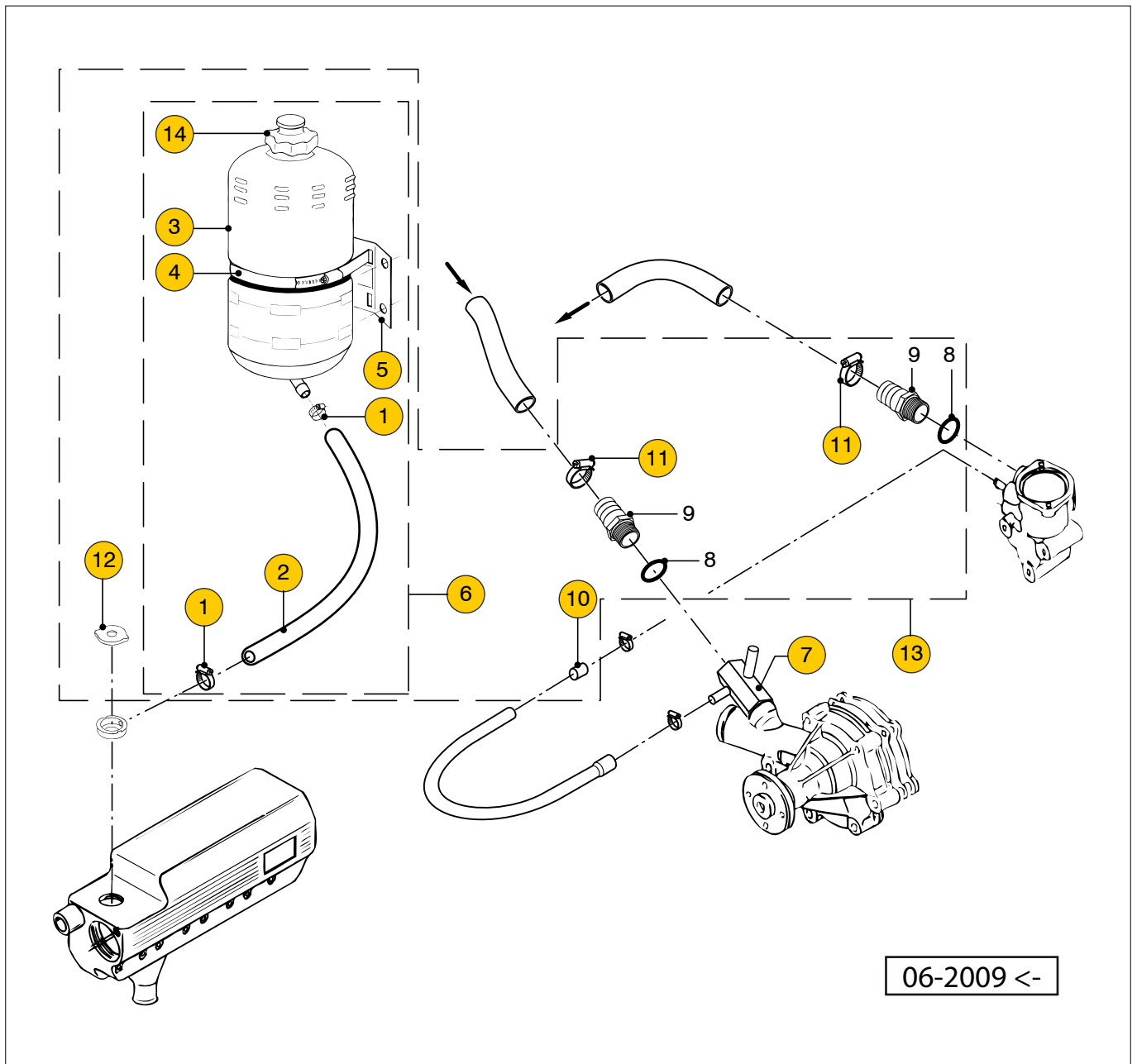
M4.15

M4.17

Saildrive ZF SD10

Saildrive ZF SD10

pos.	qty	part	benaming	description
①	1	STM9318	Demper	Demper
②	1	STM9322	Borg ring	Snap ring
③	1	STM9323	Pakking	Gasket
④	1	STM9324	Borg ring	Snap ring
5	1	STM9325	Bevestigingsplaat	Clamping ring
⑥	1	STM9326	Pakking	Gasket
7	1	STM9327	Geleidering	Retainer ring
8	1	STM9328	Bus	Sleeve
9	1	STM9329	O-ring	O-ring
10	1	STM9330	O-ring	O-ring
11	1	STM9333	Inbusbout M8x40	Screw T.C.E.I. M8x40
12	1	STM9334	Ring	Washer
⑬	1	STM9335	Bus	Spacer
14	1	STM9336	Nipple G1-G1	Nipple G1-G1
15	1	STM9337	Afsluiter recht G1	Stop-valve G1
⑯	1	STM9338	Slangpilaar G1-19	Hose pillar G1-19



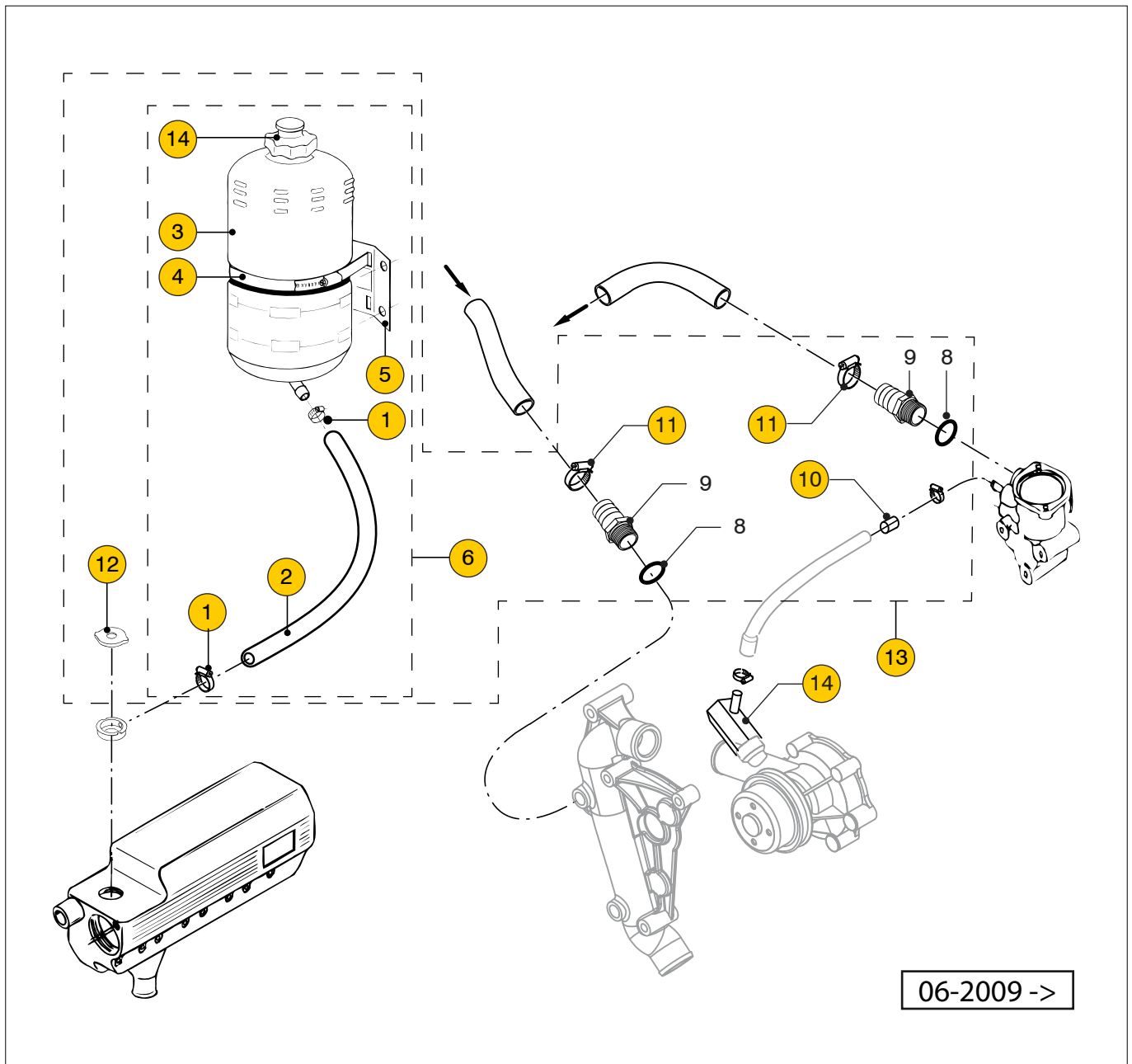
M4.15

M4.17

Boileraansluiting, interkoeling, 06-2009 <-

Calorifier connection, intercooling, 06-2009 <-

pos.	qty	part	benaming	description
1	2	HCS08	Klem	Clamp
2	1	STM9504	Slang	Hose
3	1	EXPT1,5U	Expansie tank	Headertank
4	1	STM9503	Slangklem 140-180	Hose clamp 140-180
5	1	STM9502	Bevestigingsbeugel	Support
6	1	EXPT1,5U	Expansietank compleet (1 t/m 5 + 7)	Headertank compl. (1 till 5 + 7)
7	1	STM7845	Nippel	Nipple
8	2	08-00136	Afdichtring	Seal washer
9	2	STM3736	Slangpilaar G3/8 - 16	Hose pillar G3/8 - 16
10	1	STM2507	Prop ø 8	Plug ø 8
11	2	STM2012	Slangklem 19-28	Hose clamp 19-28
12	1	SETDOPM	Vuldop (Do not open)	Filler cap (Do not open)
13	1	STM7683	Boilerset (motor gedeelte)	Calorifier set (engine part)
14	1	08-01141	Drukdop	Pressure cap



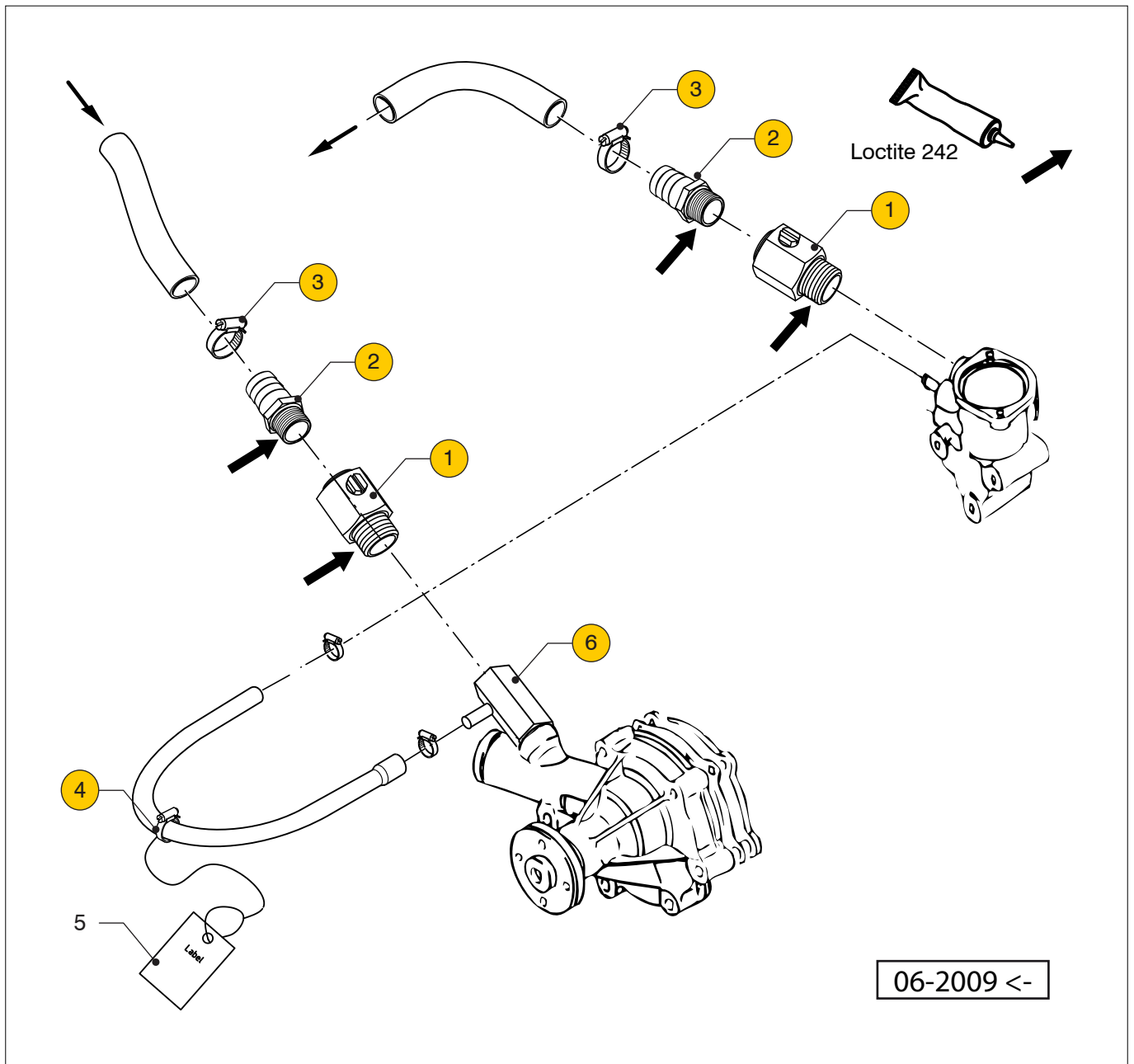
06-2009 ->

**M4.15** **M4.17**  
**M4.35** **M4.45**

**Boileraansluiting, interkoeling, 06-2009 ->**

**Calorifier connection, intercooling, 06-2009->**

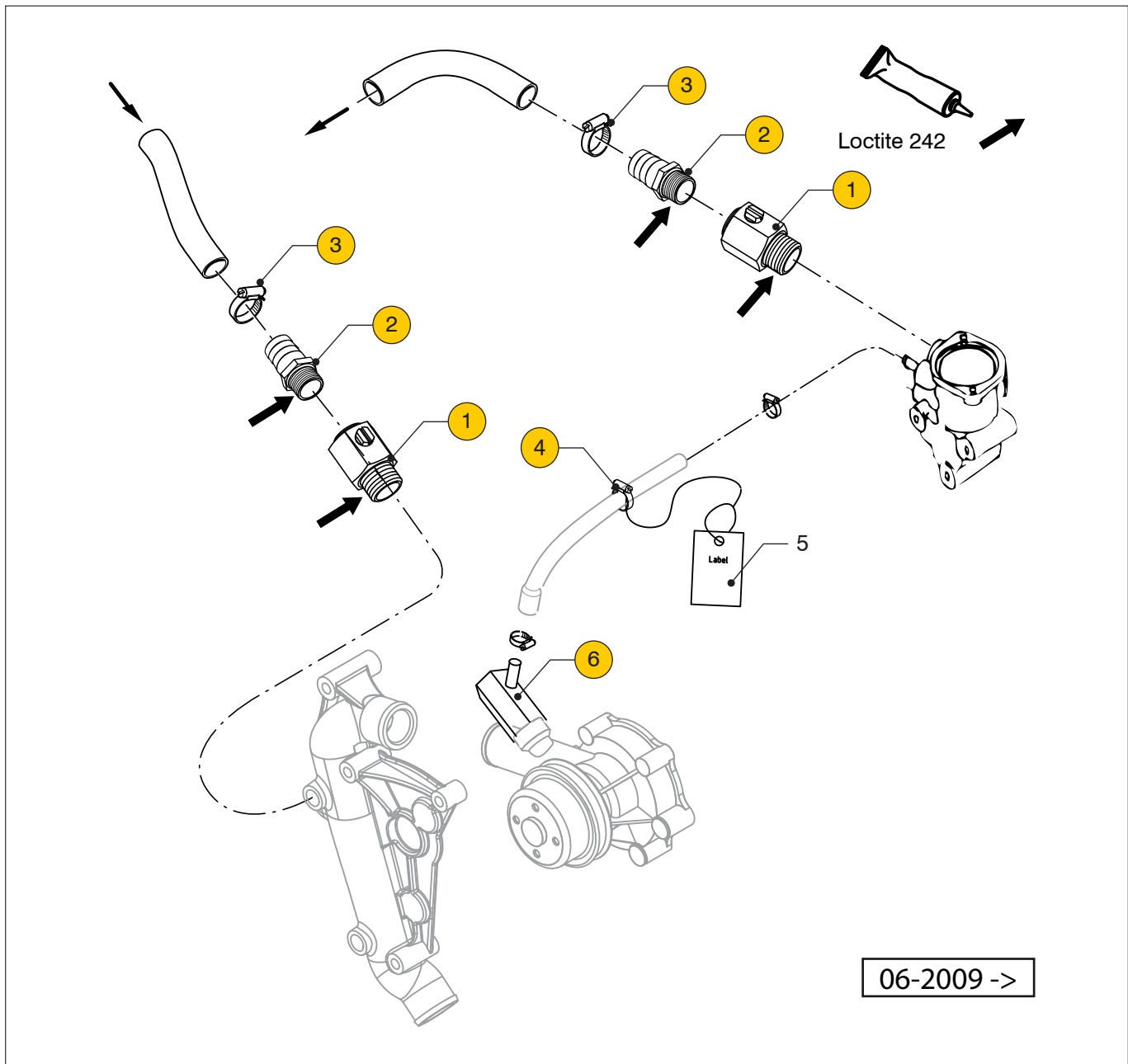
pos.	qty	part	benaming	description
1	2	HCS08	Klem	Clamp
2	1	STM9504	Slang	Hose
3	1	EXPT1.5U	Expansie tank	Headertank
4	1	STM9503	Slangklem 140-180	Hose clamp 140-180
5	1	STM9502	Bevestigingsbeugel	Support
6	1	EXPT1.5U	Expansietank compleet (1 t/m 5 + 7)	Headertank compl. (1 till 5 + 7)
7	1	08-01141	Drukcap	Pressure cap
8	2	08-00136	Afdichtring	Seal washer
9	2	STM3736	Slangpilaar G3/8 - 16	Hose pillar G3/8 - 16
10	1	STM2507	Prop ø 8	Plug ø 8
11	2	STM2012	Slangklem 19-28	Hose clamp 19-28
12	1	SETDOPM	Vuldop (Do not open)	Filler cap (Do not open)
13	1	STM7683	Boilerset (motor gedeelte)	Calorifier set (engine part)
14	1	STM9441	Nippel	Nipple



**M4.15 M4.17 Boileraansluiting, kielkoeling, , 06-2009 <-**

**Calorifier connection, keelcooling, 06-2009 <-**

pos.	qty	part	benaming	description
1	2	STM9443	Mini kogelkraan G 3/8 - G 3/8	Mini ball valve R 3/8 - R 3/8
2	2	SLP3/815	Slangpilaar G3/8 - 16	Hose pillar G3/8 - 16
3	2	STM2012	Slangklem 19-28	Hose clamp 19-28
4	1	HCS08	Slangklem 8-16	Hose clamp 8-16
5	1	STM9446	Label 'Boiler'	Label 'Calorifier'
6	1	STM7845	Nippel	Nipple



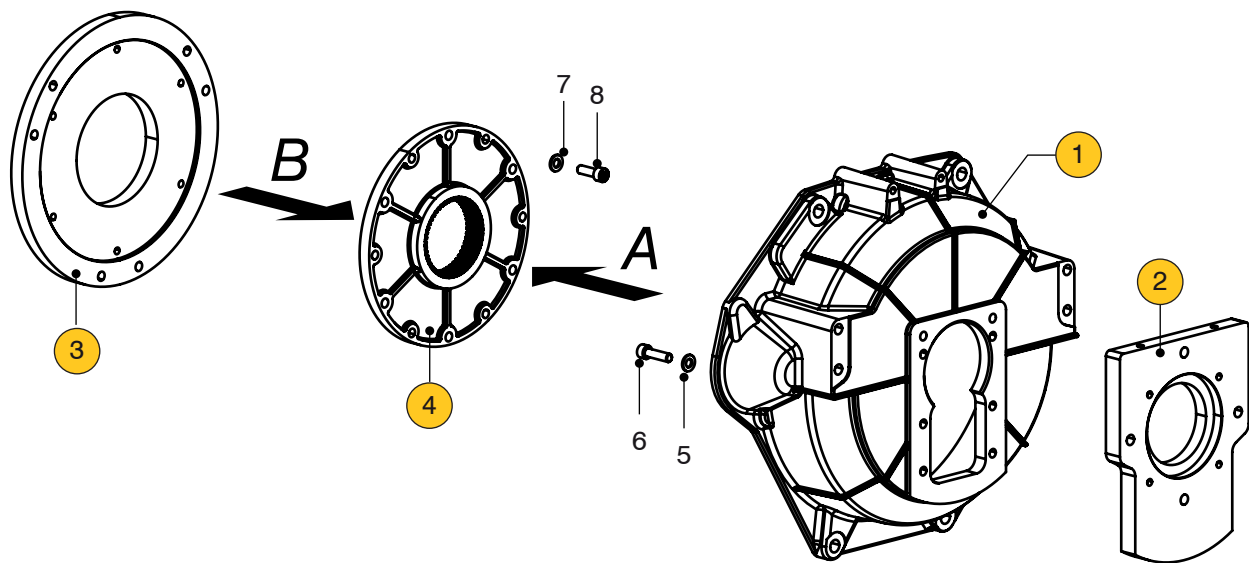
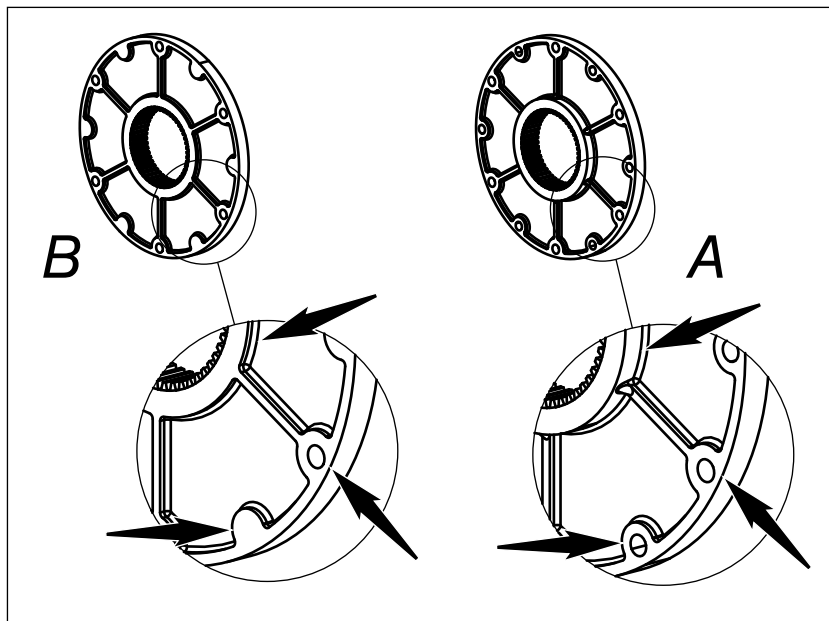
06-2009 ->

**M4.15**   **M4.17**  
**M4.35**   **M4.45**

**Boileraansluiting, kielkoeling, 06-2009 ->**

**Calorifier connection, keelcooling, 06-2009 ->**

pos.	qty	part	benaming	description
1	2	STM9443	Mini kogelkraan G 3/8 - G 3/8	Mini ball valve R 3/8 - R 3/8
2	2	SLP3/815	Slangpilaar G3/8 - 16	Hose pillar G3/8 - 16
3	2	STM2012	Slangklem 19-28	Hose clamp 19-28
4	1	HCS08	Slangklem 8-16	Hose clamp 8-16
5	1	STM9446	Label 'Boiler'	Label 'Calorifier'
6	1	SLP3/815	Nippel	Nipple

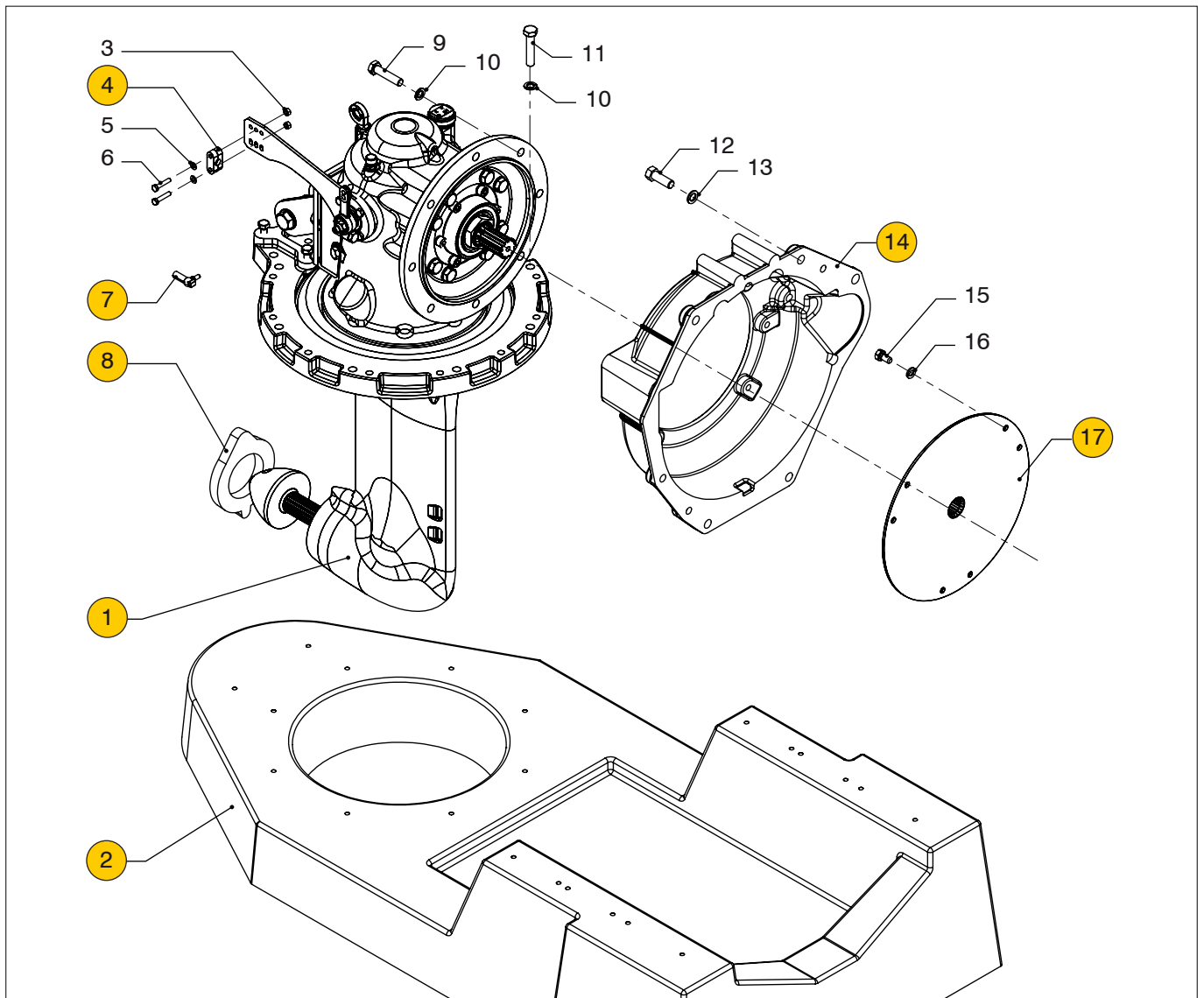


**M4.15**   **M4.17**  
**M4.35**   **M4.45**

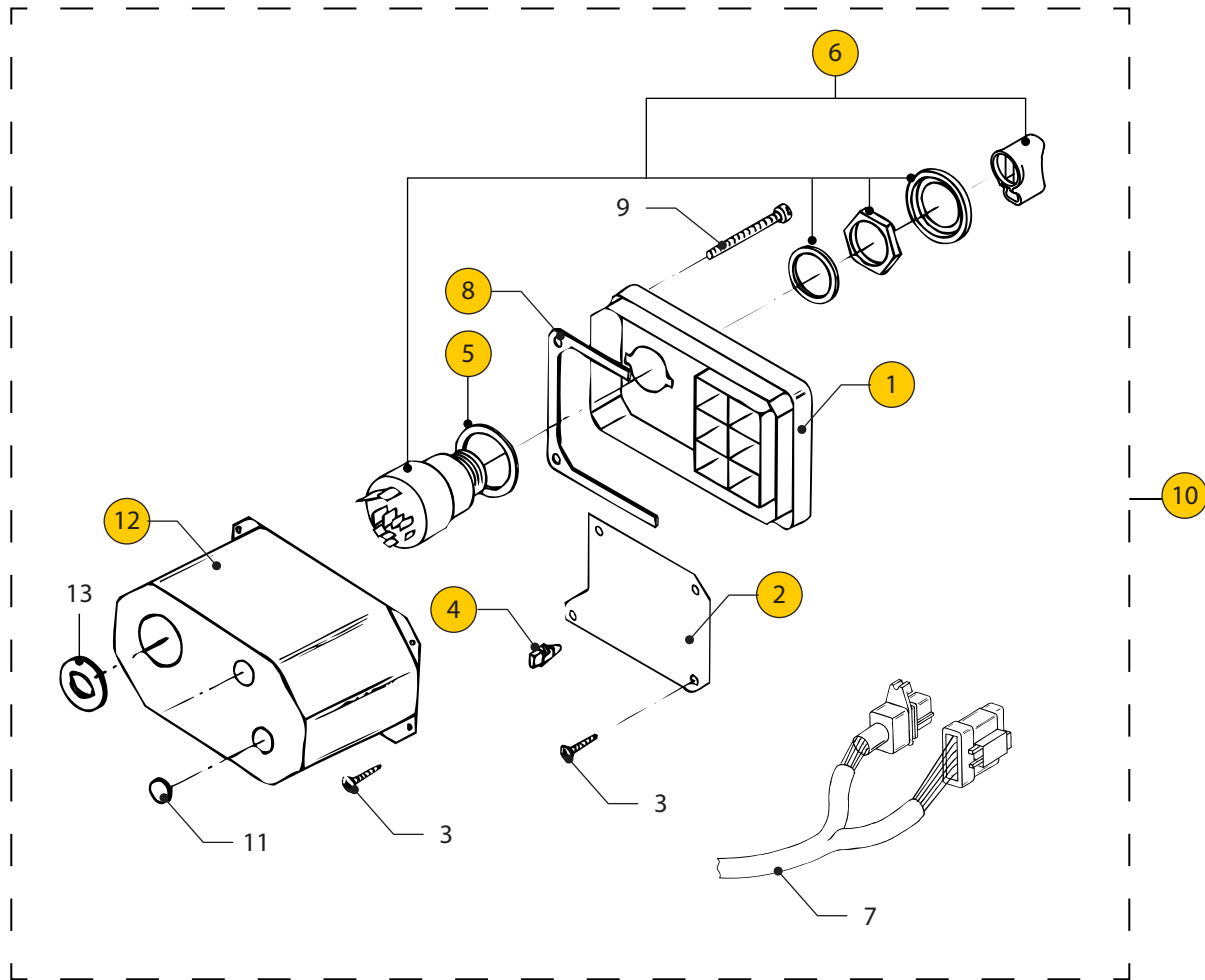
**Aanbouwdelen hydraulische aandrijving**

**Adapter parts for hydraulic propulsion**

pos.	qty	part	benaming	description
1	1	22-22993	Vliegwielhuis ø 88	Flywheel housing ø 88
2	1	STM9458	Flens t.b.v. hydraulische voortstuwing	Flange for hydraulic propulsion
3	1	HT5151	Vliegwielverzwaring	Flywheel ring
4	1	HT5148	Flens	Flange
5	4	STM1056	Veerring M8	Spring washer M8
6	4	STM8332	Inbusbout M8 x 30	Allen screw M8 x 30
7	6	STM1056	Veerring M8	Spring washer M8
8	6	STM6299	Inbusbout met lage kop M8 x 20	Allen screw M8 x 20



	M4.15 M4.35	M4.17 M4.45	Saildrive SP60	Saildrive SP60
pos.	qty	part	benaming	description
①	1	STM6000	Saildrive 2.23	Saildrive 2.23
	1	STM6001	Saildrive 2.49	Saildrive 2.49
②	1	STM9320	Fundatie	Engine bed
3	2	STM1705	Moer M5	Nut M5
④	1	STM1703	Kabelklem	Cable clamp
5	2	STM1707	Ring	Washer
6	2	STM1704	Bout M5x25	Bolt M5x25
⑦	1	KOGELGEWR	Kogelgewricht	Ball joint
⑧	1	STM6032	Zinkanode	Zinc anode
9	7	CT20078	Bout M10 x 1,5 x 45	Bolt M10 x 1.5 x 45
10	15	STM4003	Gegolfde veerring M10	Wave spring washer M10
11	8	STM6560	Bout M10 x 1,5 x 50	Bolt M10 x 1.5 x 50
12	4	STM7053	Bout M12x1,25x30	Bolt M12x1.25x30
13	4	STM4056	Gegolfde veerring M12	Wave spring washer M12
⑭	1	STM7567	Vliegwielhuis SAE 7 ø 209,55	Flywheel housing SAE 7 ø 209,55
15	6	STM4055	Bout M8x1.25x16	Bolt M8x1.25x17
16	6	STM1056	Veerring M8	Spring washer M8
⑰	1	STM6005	Demperplaat M4	Damperplate M4



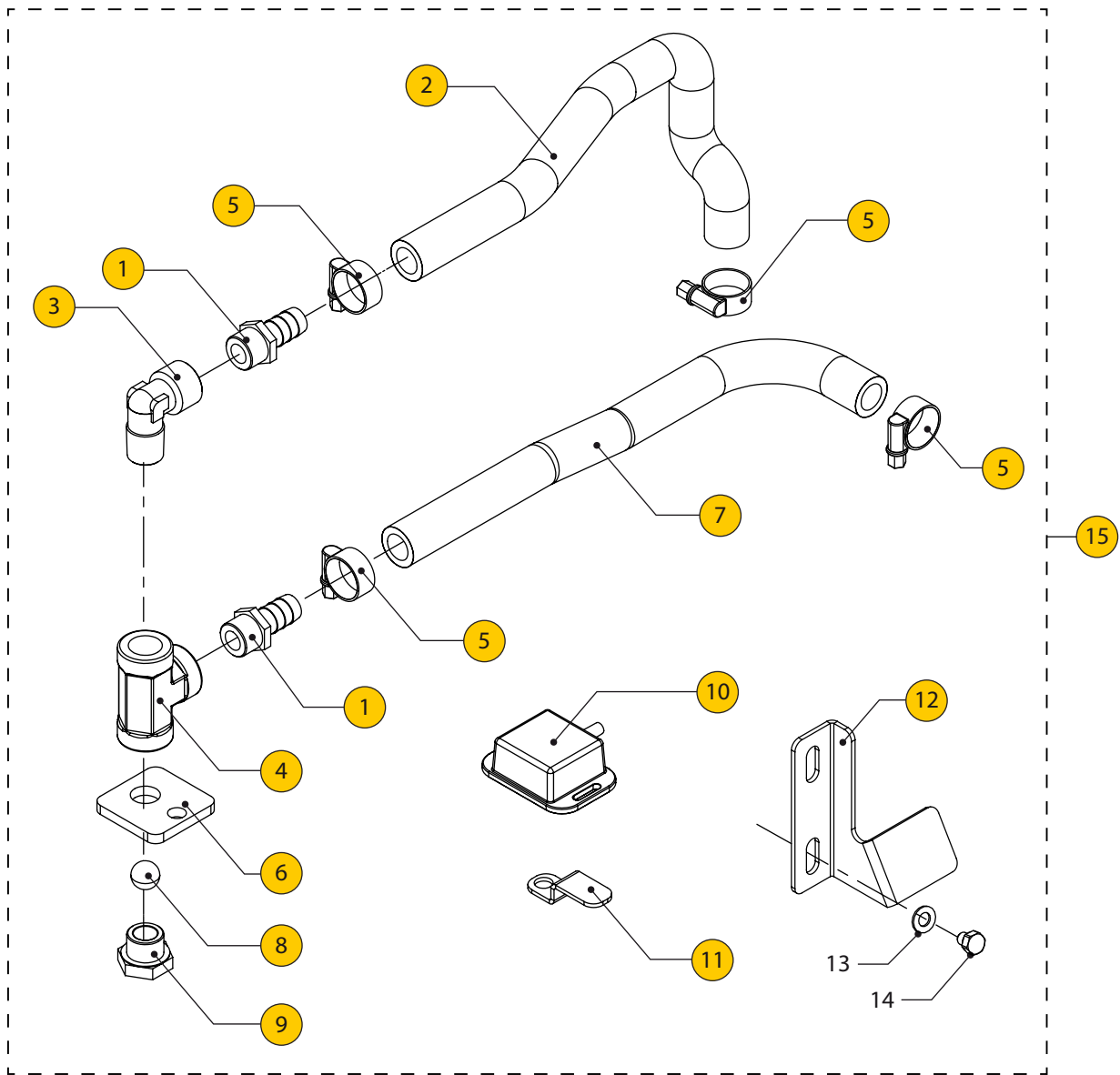
**M4.15 SOLAS  
M4.17 SOLAS**

**Instrumenten paneel MP10**

**Instrument panel MP10**

pos.	qty	part	benaming	description
1	1	STM9065	Paneel	Panel
2	1	STM9066	Print cpl	Print cpl
3	8	P2295RKP	Plaatschroef	Screw
4	6	STM9169	Gloeilamp	Bulb
5	1	STM9172	Pakking	Gasket
6	1	08-01145	Startslot	Starter switch
7	1	STM6920	Paneelbedrading	Panel wiring
8	1	STM9068	Pakking	Gasket
9	4	P35254ZKP	Plaatschroef	Screw
10	1	08-01146	Instr.paneel cpl.	Instr.panel cpl.
11	2	STM7254	Blindstop	Plug
12	1	STM9069	Beschermkap	Protective cap
13	1	STM7222	Doorvoertule	Grommet



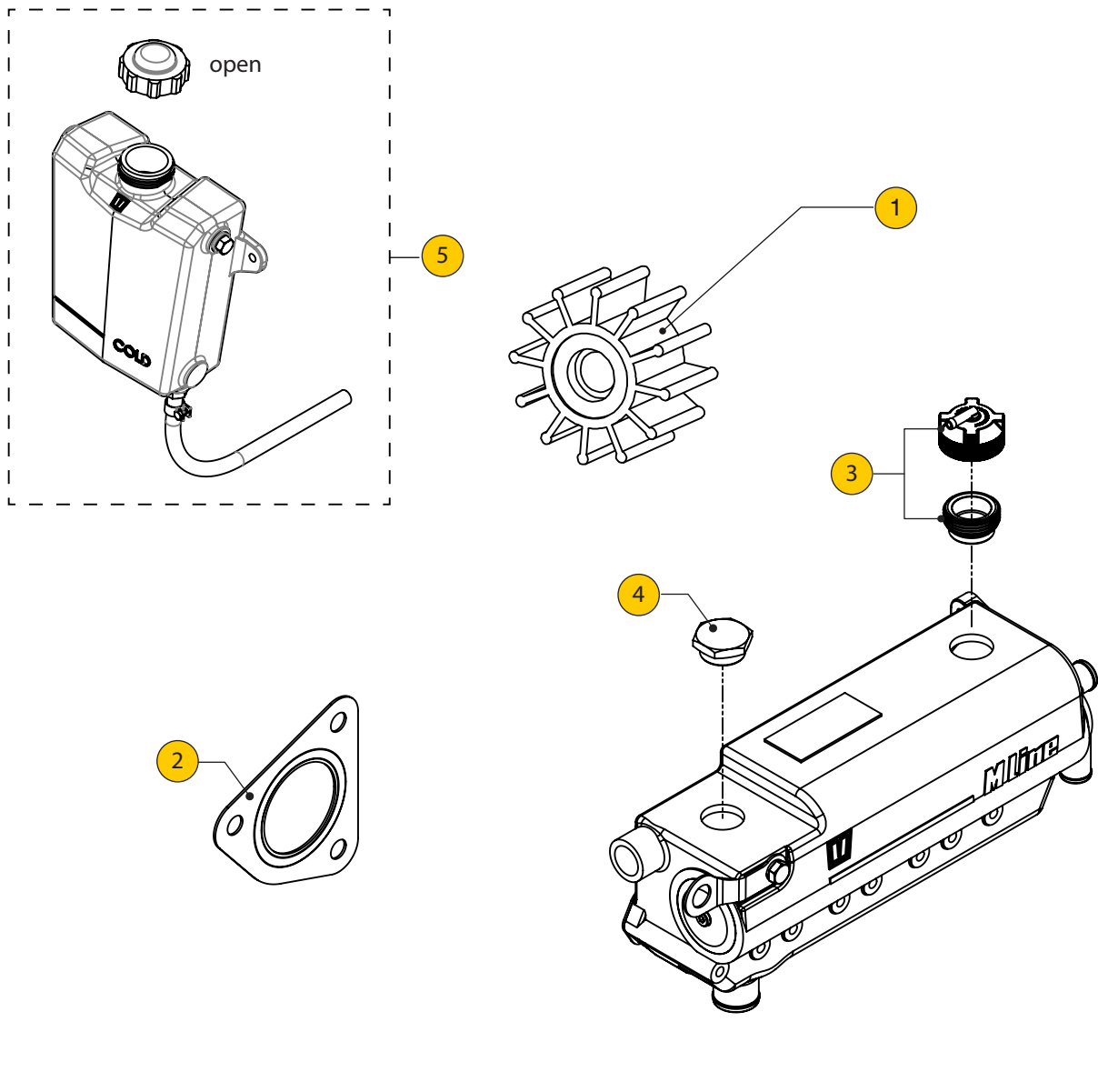


**M4.15 SOLAS  
M4.17 SOLAS**

**Tilt kit**

**Tilt kit**

pos.	qty	part	benaming	description
1	2	STM3057	Slangpilaar G 3/8 - 13 mm	Hose pilar G 3/8 - 13 mm
2	1	08-01117	Slang carterontluchting	Hose oil breather
3	1	08-01115	Knie G 3/8 bi G 3/8 bu	Elbow 90 deg G 3/8 male G 3/8 female
4	1	08-01116	T-stuk G 3/8 bi	T-piece G 3/8 female
5	4	HCS12	Slangklem (SLKL12)	Hose clamp (SLKL12)
6	1	08-01110	Montageplaatje kogelklep	Base plate ball valve
7	1	08-01118	Slang carterontluchting	Hose oil breather
8	1	08-01111	Kogel 13 mm RVS	Ball 13 mm SS
9	1	HS1026	Blindstop G 3/8 kunststof	Plug G 3/8 plastic
10	1	08-01113	Tilt sensor	Tilt sensor
11	1	08-01114	Vuldop beveiliging	Filling cap clamp
12	1	15-1050	Borgplaat	Mounting plate
13	2	STM1050	Gegolfde veerring M6	Wave spring washer M6
14	2	STM1024	Bout M6x16	Bolt M6x16
15	1	08-01119	Set tilt kit	Tilt kit set

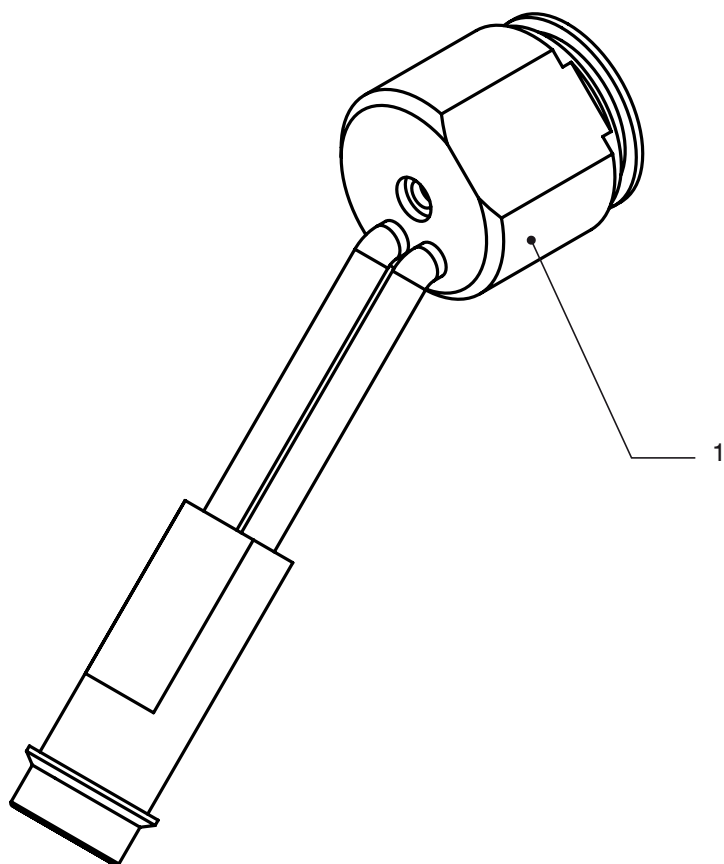


**M4.15 SOLAS  
M4.17 SOLAS**

**Impeller interkoeling**

**Impeller Intercooling**

pos.	qty	part	benaming	description
1	1	08-01352	Impeller (Droogloop uitvoering) M4.15-M4.17	Impeller (Run Dry version) M4.15-M4.17
	1	08-01353	Impeller (Droogloop uitvoering) M4.55	Impeller (Run Dry version) M4.55
2	1	STM7470	Pakking	Packing
3	1	SETDOPM	Vulnek en drukdop 1 bar (freefall)	Filler neck and pressure cap 1 bar (freefall)
4	1	23-25175	Plug M36x1,5 (freefall)	Plug M36x1,5 (freefall)
5	1	EXPT1,5U	Expansietank 1,5 ltr compleet	Expansion tank 1,5 ltr complete

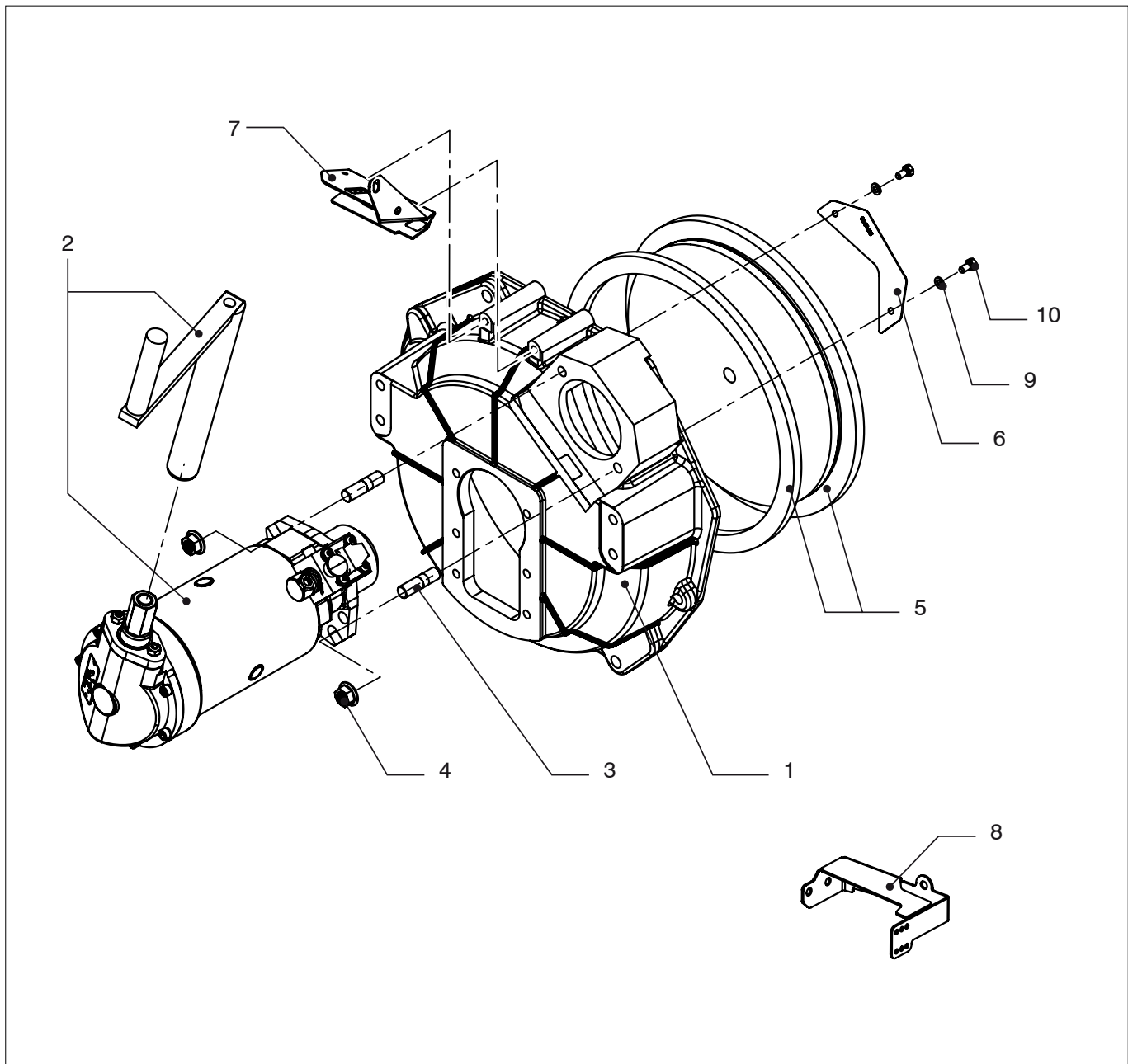


**M4.15 SOLAS  
M4.17 SOLAS**

**Motorverwarming**

**Engine heater**

pos.	qty	part	benaming	description
1	1	14-7579	Verwarmingselement	Heater element

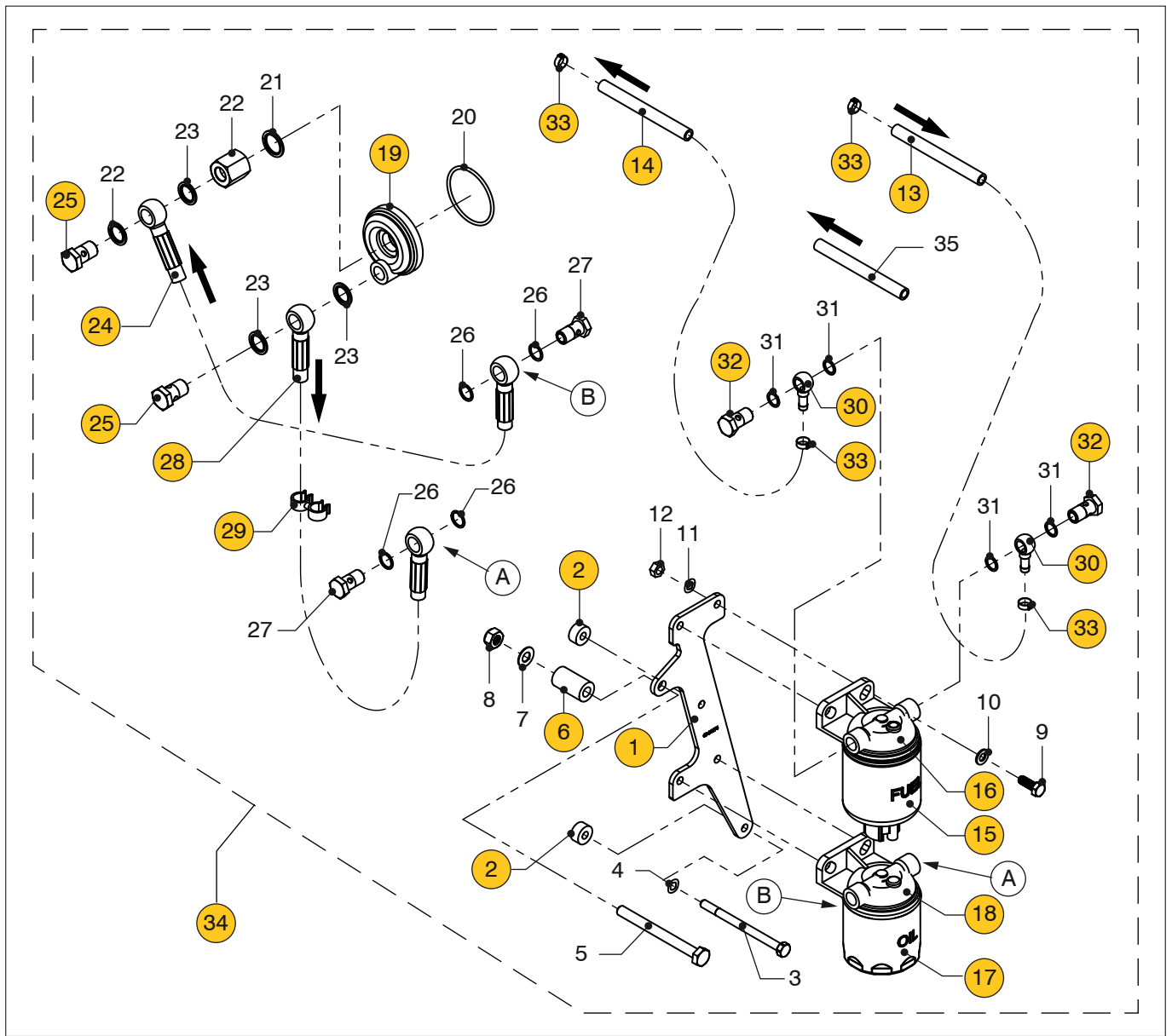


**M4.15 SOLAS  
M4.17 SOLAS**

**Veerstarter**

**Spring starter**

pos.	qty	part	benaming	description
1	1	14-8210	Vliegwielhuis	Flywheel housing
2	1	13-5976	Veerstarter	Spring starter
3	2	14-7890	Tapeind	Stud
4	2	14-8480	Flensmoer M12	Flanged nut M12
5	1	14-9269	Vliegwiel (14-7888 + STM7810)	Flywheel
6	1	08-01465	Afdekplaat	Cover plate
7	1	08-01395	Luchtfiltersteun	Air filter support
8	1	08-01396	Gaskabelsteun	Throttle cable support
9	2	STM1025	Gegolfde veerring M6	Wave spring washer M6
10	2	STM1019	Bout M6x12	Bolt M6x12



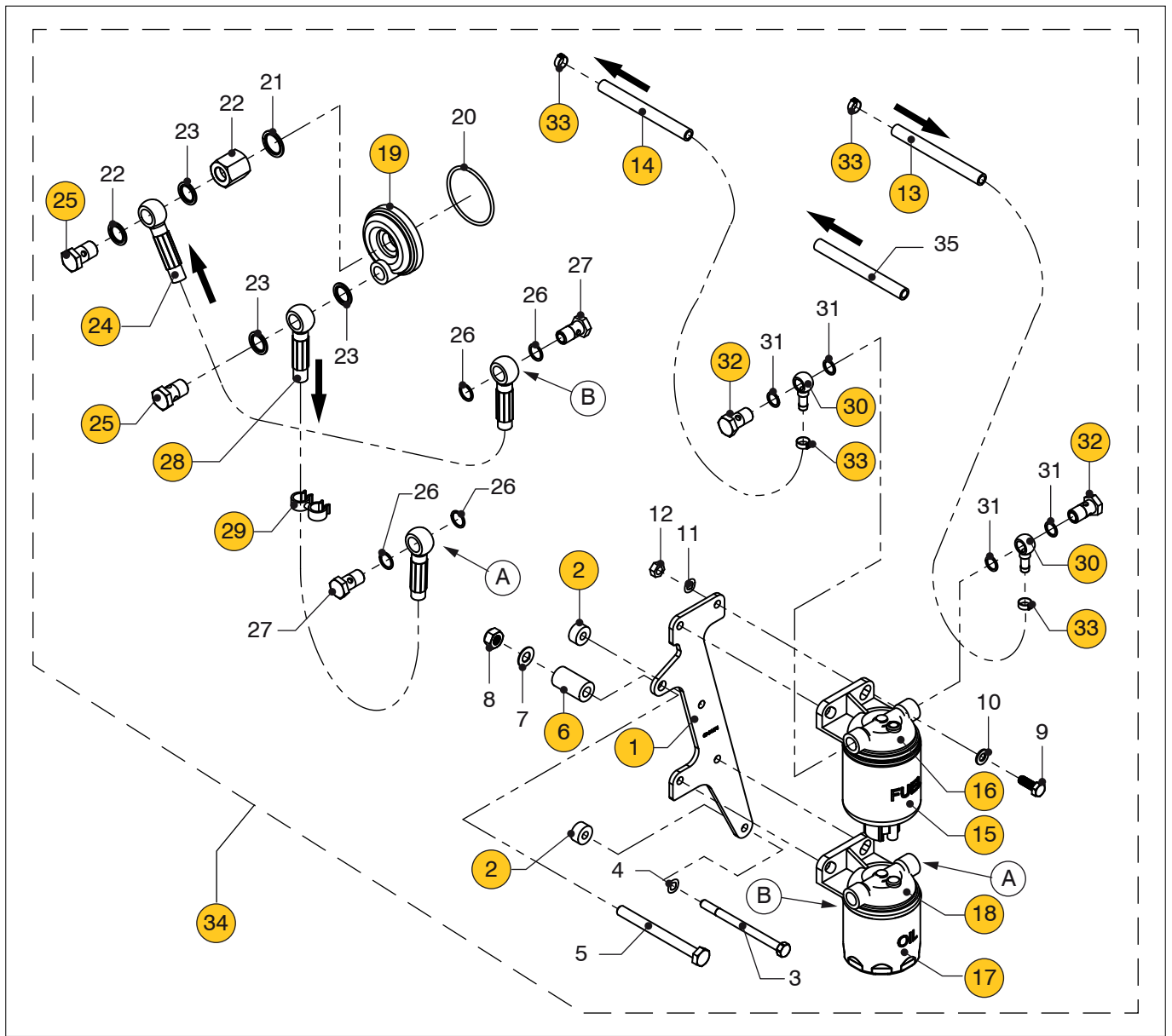
M4.15  
M4.35

M4.17  
M4.45

Separaat gemonteerd oliefilter + brandstof-  
filter

Oil filter + fuel filter, separately installed

pos.	qty	part	benaming	description
1	1	08-01474	Steun	Support
2	2	STM7646	Bus l=10	Bush l=10
3	2	STM6121	Bout M8x110	Bolt M8x110
4	2	STM1019	Veerring M8	Spring washer M8
5	1	STM9674	Bout M10x110	Bolt M10x110
6	1	08-01476	Bus l=38	Bush l=38
7	1	STM2022	Gegolfde veerring M10	Wave spring washer M10
8	1	STM4018	Moer M10	Nut M10
9	4	STM1610	Bout M8x25	Bolt M8x25
10	4	STM1653	Ring 8mm	Washer 8mm
11	4	STM1056	Veerring M8	Spring washer M8
12	4	STM2005	Moer M8	Nut M8
13	1	08-01480	Slang Ø8 L= 630 mm opvoerpomp -> filter in	Hose Ø8 L= 630 mm supply pump -> filter in
14	1	08-01481	Slang Ø8 L= 255 mm filter => hoofdpomp)	Hose Ø8 L= 255 mm filter -> main pump
15	1	STM3690	Brandstoffilter M16x1,5	Fuel filter M16x1,5
16	1	STM6049	Brandstoffilterkop compleet	Filter head fuel cpl.
17	1	STM9316	Motorolie filter M20x1,5	Engine oil filter M20x1,5
18	1	STM9905	Motoroliefilterkop compleet	Filter head engine oil filter cpl.



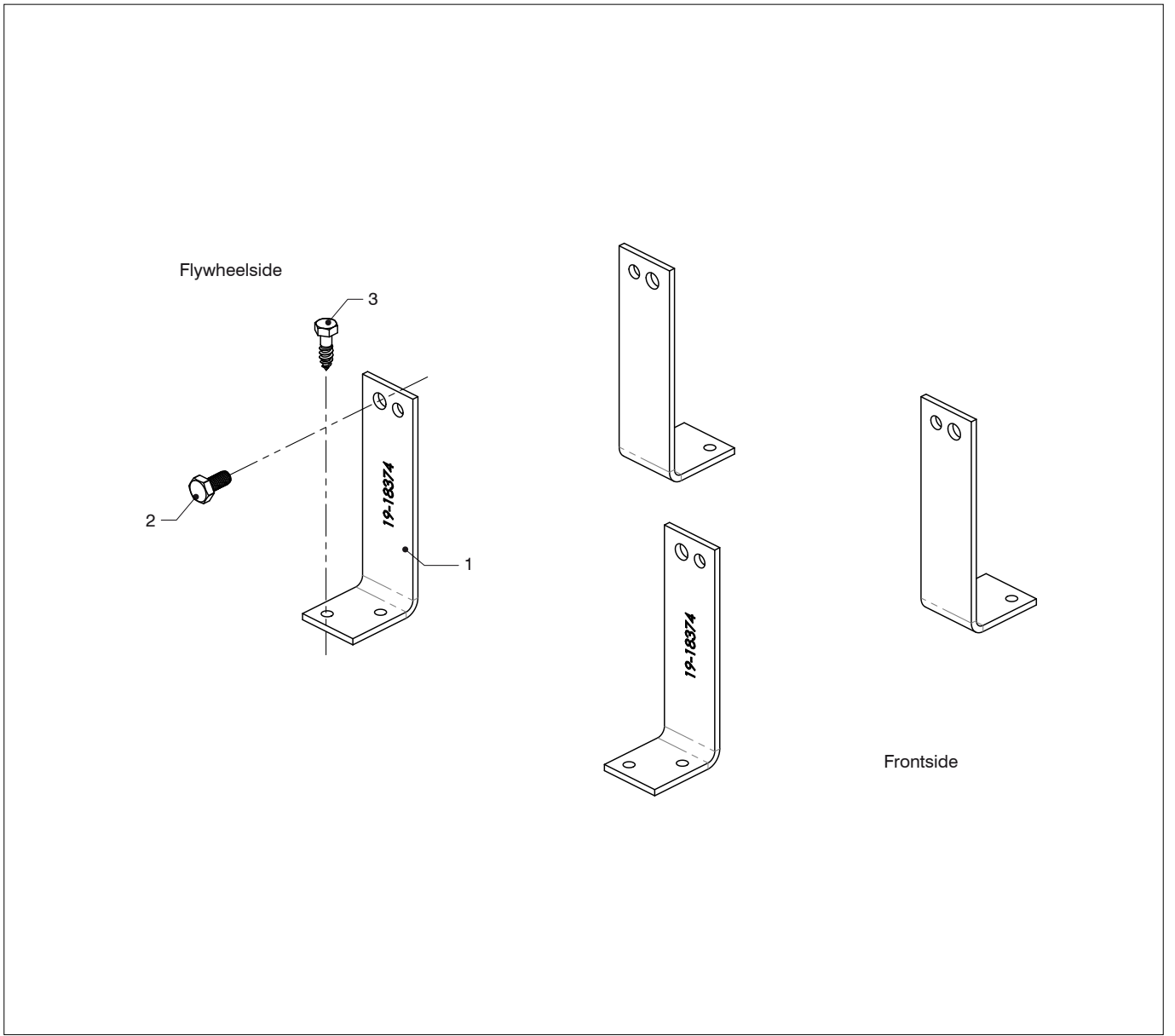
M4.15  
M4.35

M4.17  
M4.45

**Separaat gemonteerd oliefilter + brandstof-  
filter**

**Oil filter + fuel filter, separately installed**

pos.	qty	part	benaming	description
19	1	STM9911	Adapter	Adaptor
20	1	STM9912	O-ring 58x3	O-ring 58x3
21	1	STM9908	Afdichtring 20mm	Seal washer 20mm
22	1	08-01404	Moer M16 -> M20	Nut M16 -> 20
23	4	STM9907	Afdichtring 16mm	Seal washer M
24	1	08-01478	Slang l=450 filter uit -> adapter in	Hose l=450 filter out -> adaptor in
25	2	STM8214	Banjo bout M16x1,5	Banjo bolt M16x1,5
26	4	STM1062	Afdichtring 14mm	Seal washer 14mm
27	2	STM3518	Banjo bout M14x1,5	Banjo bolt M14x1,5
28	1	08-01477	Slang l=570 adapter uit -> filter in	Hose l=570 adaptor out -> filter in
29	3	VD60090	Klem	Clamp
30	2	STM9262	Banjo-oog	Banjo eye
31	4	STM7056	Afdichtring M12	Seal washer M12
32	2	STM8057	Banjo bout M12x1	Banjo bolt M12x1
33	4	STM6185	Klem	Clamp
34	1	08-01479	Set compleet	Kit cpl.
35	1	08-01489	Slang Ø5 L= 450 mm hoofdpomp -> retournippel	Hose Ø5 L= 450 mm main pump -> return conn.



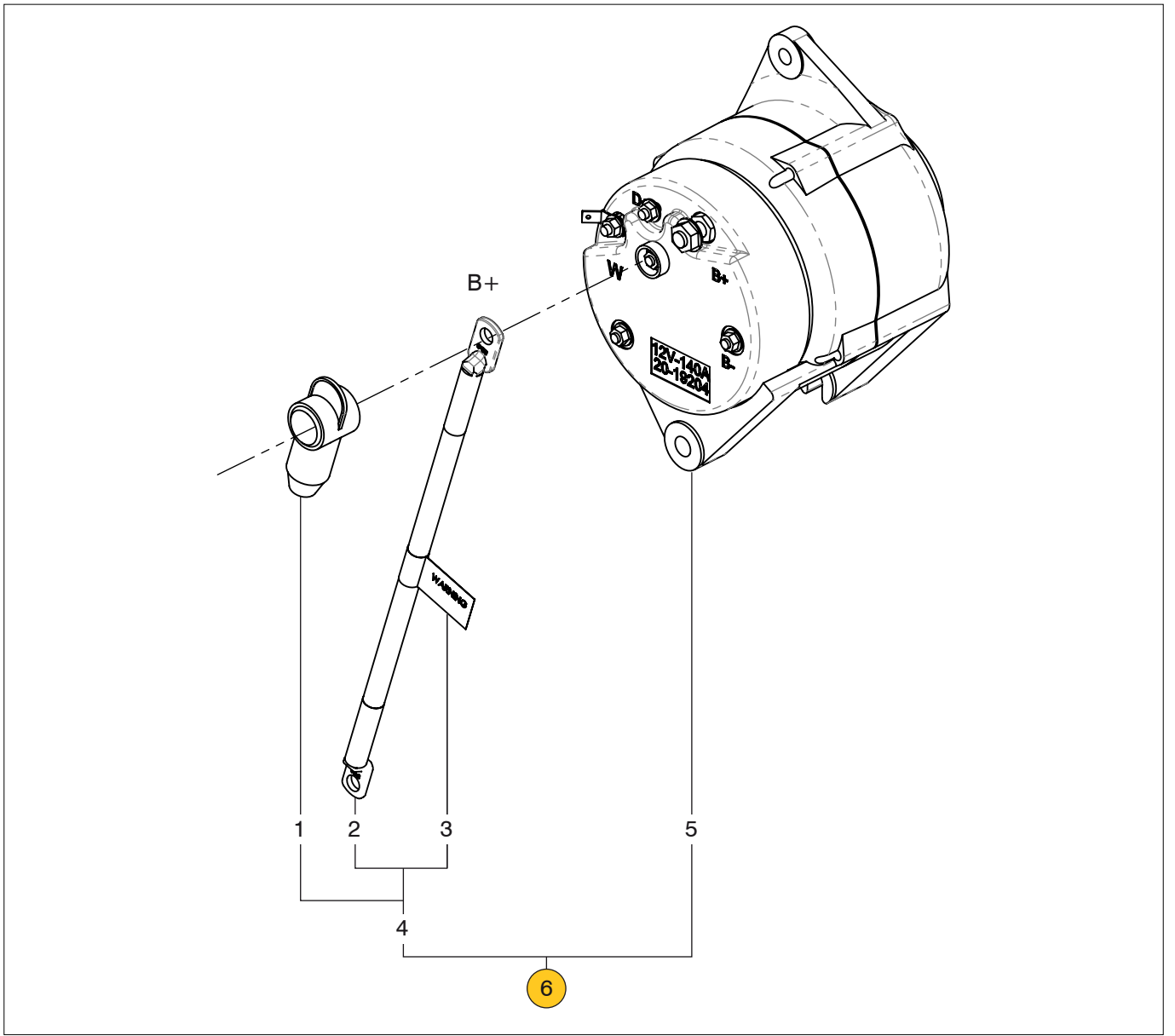
M4.35

M4.45

Transportsteun

Transport support

pos.	qty	part	benaming	description
1	4	19-18374	Transportsteun	Transport support
2	4	STM3817	Bolt M12x1,25x25	Bolt M12x1,25x25
3	8	19-17130	Houdraibout 8x30 (128171-PD2)	Wood thread bolt 8x30 (128171-PD2)



M4.35

M4.45

Dynamo set 12V-140A

Alterator kit 12V-140A

pos.	qty	part	benaming	description
1	1	20-19154	Rubber kap	Rabber cap
2	1	20-19139	Kabel	Cable
3	1	20-19152	Sticker	Sticker
4	1	20-19153	Kabel compleet	Cable cpl.
5	1	20-19204	Dynamo 12V-140A	Alternator 12V-140A
6	1	20-19223	Dynamo set 12V-140A	Alternator kit 12V-140A



# Register Index

art.nr. / part	pag. page	pos.	art.nr. / part	pag. page	pos.	art.nr. / part	pag. page	pos.	art.nr. / part	pag. page	pos.
08-00136	3-7	6	08-01315	3-19	4	08-01420	1-2	1	16-4138	5-14	5
08-00136	3-11	6	08-01316	3-8	1	08-01420	4-5	25	16-4138	5-15	5
08-00136	10-9	8	08-01316	3-17	1	08-01420	4-7	26	16-4138	5-16	5
08-00136	10-10	8	08-01319	3-17	10	08-01420	4-9	26	16-4138	5-17	5
08-01005	3-5	35	08-01320	3-12	16	08-01420	4-12	10	16-4138	5-18	5
08-01108	3-2	11	08-01320	3-18	20	08-01420	4-13	4	19-17130	10-22	3
08-01110	10-16	6	08-01320	3-19	10	08-01450	3-18	23	19-17663	4-8	1
08-01111	10-16	8	08-01321	3-8	10	08-01451	3-18	24	19-18317	4-19	32
08-01113	10-16	10	08-01322	4-23	1	08-01465	10-19	6	19-18374	10-22	1
08-01114	10-16	11	08-01325	2-22	6	08-01474	10-20	1	19-18406	4-19	30
08-01115	10-16	3	08-01325	2-23	6	08-01476	10-20	6	19-18417	4-20	38
08-01116	10-16	4	08-01327	2-22	4	08-01477	10-21	28	19-18418	4-20	34
08-01117	10-16	2	08-01327	2-23	4	08-01478	10-21	24	19-18488	10-7	31
08-01118	10-16	7	08-01328	2-22	5	08-01479	10-21	34	19-18509	4-20	33
08-01119	10-16	15	08-01328	2-23	5	08-01480	10-20	13	20-19139	10-23	2
08-01141	3-4	12	08-01329	2-22	1	08-01481	10-20	14	20-19152	10-23	3
08-01141	10-9	14	08-01329	2-23	1	08-01489	10-21	35	20-19153	10-23	4
08-01141	10-10	7	08-01330	3-12	7	08-01495	2-23	9	20-19154	10-23	1
08-01145	10-15	6	08-01330	3-13	7	08-01496	2-23	10	20-19204	10-23	5
08-01146	10-15	10	08-01331	2-14	2	08-01504	3-12	18	20-19223	10-23	6
08-01181	2-19	19	08-01333	4-7	22	08-01504	3-13	14	20-20343	10-5	30
08-01237	2-19	23	08-01333	4-9	22	13-5976	10-19	2	20-20343	10-7	32
08-01237	2-20	2	08-01333	4-13	1	14-7579	10-18	1	21-21242	4-13	3
08-01267	2-20	6	08-01335	4-7	23	14-7890	10-19	3	23-25175	10-17	4
08-01283	3-12	1	08-01335	4-9	23	14-8210	10-19	1	23-26269	4-24	2
08-01286	6-10	1	08-01338		29	14-8480	10-19	4	23-26277	4-24	8
08-01286E	6-10	1	08-01343	3-8	16	14-9269	10-19	5	AD14-16	4-19	27
08-01289	6-11	20	08-01344	3-8	17	15-1050	10-16	12	CT20078	10-14	9
08-01290	4-13	3	08-01351	4-16	2	15-2520	2-24	2	CT30059	2-22	3
08-01292	2-22	9	08-01351	4-18	2	15-2624	2-24	1	CT30059	2-23	3
08-01293	3-13	1	08-01352	10-17	1	15-2976	2-24	10	CT30059	4-6	15
08-01302	6-11	18	08-01353	10-17	1	15-2978	2-24	8	CT30059	4-8	15
08-01303	4-13	5	08-01357	3-8	21	15-2992	2-24	11	CT30061	3-8	5
08-01304	6-11	25	08-01358	3-8	21	16-4138	5-1	5	CT30061	3-17	5
08-01305	6-11	27	08-01370	2-14	1	16-4138	5-2	5	CT40029	6-9	33
08-01306	6-11	28	08-01372	3-12	17	16-4138	5-3	5	CT40042	4-13	6
08-01308	1-2	7	08-01372	3-13	12	16-4138	5-4	5	CT40075	4-5	22
08-01308	2-20	5	08-01372	3-17	7	16-4138	5-5	5	CT40075	4-12	7
08-01309	2-20	1	08-01372	3-19	11	16-4138	5-6	5	CT40133	4-15	21
08-01313	3-12	2	08-01373	2-14	3	16-4138	5-7	5	CT40133	4-19	20
08-01313	3-13	2	08-01374	2-14	4	16-4138	5-8	5	CT40133	4-16	19
08-01314	3-12	12	08-01387	3-13	13	16-4138	5-9	5	CT50079	3-8	18
08-01314	3-17	13	08-01395	10-19	7	16-4138	5-10	5	CT50079	3-18	21
08-01314	3-19	3	08-01396	10-19	8	16-4138	5-11	5	CT50079	5-19	7
08-01315	3-12	14	08-01404	10-21	22	16-4138	5-12	5	DM10019	2-22	8
08-01315	3-17	14	08-01409	2-20	8	16-4138	5-13	5	DM10019	2-23	8

art.nr. / part	pag. page	pos.	art.nr. / part	pag. page	pos.	art.nr. / part	pag. page	pos.	art.nr. / part	pag. page	pos.
EXPT1,5U	10-9	3	MPKB12	4-3	16	STM1019	3-7	4	STM1024	10-16	14
EXPT1,5U	10-9	6	OIL...	4-18	11	STM1019	3-9	4	STM1025	4-2	19
EXPT1,5U	10-17	5	OILSR08	4-19	29	STM1019	3-11	4	STM1025	4-5	19
FFMP23	4-14	18	P2295RKP	4-14	3	STM1019	3-12	4	STM1025	4-22	8
FFMP23	4-15	24	P2295RKP	4-15	3	STM1019	3-12	6	STM1025	6-7	12
FFMP23	4-16	21	P2295RKP	4-16	3	STM1019	3-12	8	STM1025	6-10	16
FFMP23	4-20	41	P2295RKP	4-18	3	STM1019	3-13	4	STM1025	10-1	7
FUHOSE13	3-10	3	P2295RKP	10-15	3	STM1019	3-13	6	STM1025	10-2	7
FUHOSE13	3-11	14	P35134RKP	4-16	11	STM1019	3-13	8	STM1025	10-3	7
HCS08	3-4	20	P35134RKP	4-18	13	STM1019	3-14	12	STM1025	10-19	9
HCS08	4-7	21	P35164RKP	4-14	11	STM1019	3-17	16	STM1027	3-2	5
HCS08	4-9	21	P35164RKP	4-15	11	STM1019	3-19	6	STM1030	6-7	11
HCS08	10-9	1	P35254ZKP	4-14	15	STM1019	4-2	17	STM1030	6-9	32
HCS08	10-11	4	P35254ZKP	4-15	15	STM1019	4-7	17	STM1050	10-16	13
HCS08	10-12	4	P35254ZKP	4-16	15	STM1019	4-9	17	STM1052	2-19	21
HCS12	10-16	5	P35254ZKP	4-19	17	STM1019	4-11	2	STM1056	2-18	5
HCS16	3-12	13	P35254ZKP	10-15	9	STM1019	4-13	10	STM1056	2-19	5
HCS16	3-14	5	PA6488	4-14	10	STM1019	4-13	12	STM1056	3-5	32
HCS16	3-17	12	PA6488	4-15	10	STM1019	4-24	3	STM1056	3-6	4
HCS16	3-19	2	PA6488	4-16	10	STM1019	5-1	8	STM1056	3-7	13
HCS25	3-8	9	PA6488	4-18	12	STM1019	5-1	11	STM1056	3-10	9
HCS25	3-14	8	PA6493	4-14	9	STM1019	5-2	8	STM1056	3-15	4
HCS25	3-17	8	SET40131	4-15	19	STM1019	5-2	11	STM1056	3-16	4
HCS75	2-20	7	SET40131	4-19	18	STM1019	5-4	11	STM1056	4-3	9
HCS75	3-5	34	SETDOPM	3-2	3	STM1019	5-5	11	STM1056	4-4	15
HCS75	5-19	5	SETDOPM	3-4	3	STM1019	5-6	11	STM1056	4-6	12
HS1026	10-16	9	SETDOPM	10-9	12	STM1019	5-7	11	STM1056	4-8	12
HT5148	10-13	4	SETDOPM	10-17	3	STM1019	5-9	11	STM1056	4-12	2
HT5151	10-13	3	SLP3/815	3-1	3	STM1019	5-10	8	STM1056	5-3	8
KOGELGEWR	10-14	7	SLP3/815	4-7	20	STM1019	5-10	11	STM1056	5-4	8
KSTEUN100V	10-5	27	SLP3/815	4-9	20	STM1019	5-11	8	STM1056	5-5	8
KSTEUN100V	10-7	27	SLP3/815	10-11	2	STM1019	5-11	11	STM1056	5-6	8
KSTEUN75	2-21	9	SLP3/815	10-12	2	STM1019	5-13	11	STM1056	5-7	8
MP22.....	4-16	18	SLP3/815	10-12	6	STM1019	5-14	11	STM1056	5-8	8
MP22.....	4-16	18	STM0051	1-1	5	STM1019	5-15	11	STM1056	5-9	8
MP22BN12D	4-17	2	STM0051	1-2	5	STM1019	5-16	11	STM1056	5-12	8
MP22BS12D	4-17	2	STM0051	2-12	6	STM1019	5-18	11	STM1056	5-13	8
MP34KBS2	4-19	22	STM0056	1-1	8	STM1019	5-19	4	STM1056	5-14	8
MP34KBS2D	4-21	2	STM0056	1-2	10	STM1019	6-7	14	STM1056	5-15	8
MP35374	4-16	13	STM1006	3-2	12	STM1019	10-1	14	STM1056	5-16	8
MP35374	4-18	15	STM1007	3-9	6	STM1019	10-2	17	STM1056	5-17	8
MPKA02	4-3	15	STM1017	3-2	4	STM1019	10-3	14	STM1056	5-18	8
MPKA04	4-3	15	STM1019	2-14	7	STM1019	10-19	10	STM1056	6-10	2
MPKA06	4-3	15	STM1019	2-19	22	STM1019	10-20	4	STM1056	10-1	17
MPKA12	4-3	15	STM1019	2-20	3	STM1024	4-5	20	STM1056	10-2	20
MPKB02	4-3	16	STM1019	2-24	5	STM1024	10-1	8	STM1056	10-3	17
MPKB04	4-3	16	STM1019	3-2	16	STM1024	10-2	8	STM1056	10-4	4
MPKB06	4-3	16	STM1019	3-4	9	STM1024	10-3	8	STM1056	10-5	17

art.nr. / part	pag. page	pos.	art.nr. / part	pag. page	pos.	art.nr. / part	pag. page	pos.	art.nr. / part	pag. page	pos.
STM1056	10-6	4	STM1651	10-1	13	STM1807	10-5	23	STM2022	4-6	7
STM1056	10-7	17	STM1651	10-2	16	STM1807	10-7	23	STM2022	4-8	7
STM1056	10-13	5	STM1651	10-3	13	STM1808	4-22	12	STM2022	6-11	19
STM1056	10-13	7	STM1653	3-15	6	STM1808	4-23	6	STM2022	10-1	11
STM1056	10-14	16	STM1653	3-16	6	STM1808	4-25	8	STM2022	10-2	13
STM1056	10-20	11	STM1653	4-4	13	STM1808	10-5	24	STM2022	10-3	11
STM1059	3-2	14	STM1653	4-6	14	STM1808	10-7	24	STM2022	10-20	7
STM1059	3-4	7	STM1653	10-20	10	STM1851	4-25	1	STM2261	3-9	5
STM1062	2-13	6	STM1659	4-8	14	STM1851	10-4	15	STM2492	2-2	16
STM1062	2-24	4	STM1703	4-22	4	STM1851	10-6	15	STM2507	10-2	12
STM1062	3-2	13	STM1703	4-22	4	STM1902	4-22	17	STM2507	10-9	10
STM1062	3-4	6	STM1703	4-23	2	STM1902	4-23	11	STM2507	10-10	10
STM1062	4-19	26	STM1703	4-23	3	STM1907	4-22	16	STM2508	2-2	14
STM1062	10-21	26	STM1703	4-24	5	STM1907	4-23	10	STM2510	2-1	12
STM1103	2-1	7	STM1703	4-25	2	STM2005	2-14	8	STM2511	2-2	13
STM1108	2-8	4	STM1703	10-5	18	STM2005	2-24	6	STM2513	2-3	1
STM1298	6-6	1	STM1703	10-7	18	STM2005	3-6	5	STM2525	2-10	15
STM1299	2-16	5	STM1703	10-14	4	STM2005	3-7	14	STM2526	2-10	10
STM1299	6-3	1	STM1704	4-22	5	STM2005	3-10	10	STM2526	2-17	26
STM1303	2-16	4	STM1704	4-23	3	STM2005	3-14	13	STM2527	2-10	7
STM1303	6-3	2	STM1704	4-24	6	STM2005	4-2	20	STM2528	2-10	6
STM1391	6-6	7	STM1704	4-25	3	STM2005	4-3	13	STM2532	2-9	6
STM1610	2-14	6	STM1704	10-5	19	STM2005	4-4	16	STM2537	2-2	24
STM1610	3-15	5	STM1704	10-7	19	STM2005	4-7	18	STM2569	2-5	11
STM1610	3-16	5	STM1704	10-14	6	STM2005	4-9	18	STM2573	2-5	17
STM1610	4-3	8	STM1705	4-2	26	STM2005	4-13	11	STM2574	2-5	20
STM1610	4-5	17	STM1705	4-11	8	STM2005	10-5	16	STM2579	2-9	8
STM1610	5-1	10	STM1705	4-12	14	STM2005	10-6	16	STM2580	2-7	24
STM1610	5-1	10	STM1705	4-22	14	STM2005	10-20	12	STM2583	2-7	23
STM1610	5-1	10	STM1705	4-23	8	STM2006	3-3	25	STM2588	2-6	5
STM1610	5-2	10	STM1705	4-25	5	STM2006	4-10	9	STM2589	2-6	6
STM1610	5-4	10	STM1705	10-5	20	STM2012	3-3	26	STM2589	2-16	6
STM1610	5-5	10	STM1705	10-7	20	STM2012	10-9	11	STM2591	2-9	11
STM1610	5-6	10	STM1705	10-14	3	STM2012	10-10	11	STM2603	2-6	10
STM1610	5-7	10	STM1707	4-22	13	STM2012	10-11	3	STM2672	2-12	3
STM1610	5-9	10	STM1707	4-23	7	STM2012	10-12	3	STM2672	2-16	7
STM1610	5-10	10	STM1707	4-25	4	STM2018	3-5	23	STM2678	2-16	8
STM1610	5-10	10	STM1707	10-5	21	STM2018	4-19	31	STM2678	3-1	6
STM1610	5-10	10	STM1707	10-7	21	STM2019	3-3	24	STM2682	2-16	10
STM1610	5-11	10	STM1707	10-14	5	STM2019	4-10	10	STM2682	3-1	4
STM1610	5-13	10	STM1806	4-22	11	STM2022	3-8	3	STM2683	3-1	5
STM1610	5-14	10	STM1806	4-23	5	STM2022	3-12	11	STM2718	6-2	28
STM1610	5-15	10	STM1806	4-25	7	STM2022	3-13	11	STM2734	2-16	9
STM1610	5-16	10	STM1806	10-5	22	STM2022	3-17	3	STM2734	6-2	34
STM1610	5-18	10	STM1806	10-7	22	STM2022	3-18	19	STM2740	4-10	1
STM1610	10-20	9	STM1807	4-22	10	STM2022	3-19	9	STM2742	4-10	3
STM1651	2-18	6	STM1807	4-23	4	STM2022	4-3	4	STM3005	3-6	7
STM1651	2-19	6	STM1807	4-25	6	STM2022	4-4	6	STM3005	3-7	9

art.nr. / part	pag. page	pos.	art.nr. / part	pag. page	pos.	art.nr. / part	pag. page	pos.	art.nr. / part	pag. page	pos.
STM3005	3-8	13	STM3690	6-10	8	STM4003	5-3	11	STM4031	5-18	9
STM3005	3-8	15	STM3690	10-20	15	STM4003	5-4	4	STM4032	5-1	9
STM3005	3-9	8	STM3705	3-3	30	STM4003	5-5	4	STM4032	5-2	9
STM3005	3-10	4	STM3705	3-5	27	STM4003	5-6	4	STM4032	5-10	9
STM3005	3-10	5	STM3736	10-9	9	STM4003	5-7	4	STM4032	5-11	9
STM3005	3-11	9	STM3736	10-10	9	STM4003	5-8	4	STM4037	6-9	34
STM3005	3-11	15	STM3749	2-18	4	STM4003	5-8	12	STM4038	6-9	36
STM3012	2-18	3	STM3749	2-19	4	STM4003	5-8	14	STM4043	3-4	5
STM3012	2-19	10	STM3749	4-3	10	STM4003	5-9	4	STM4049	6-9	37
STM3012	3-5	36	STM3749	4-6	16	STM4003	5-10	4	STM4049	6-10	13
STM3057	10-16	1	STM3749	4-8	16	STM4003	5-11	4	STM4050	1-2	6
STM3061	3-6	2	STM3771	3-5	33	STM4003	5-12	4	STM4050	6-9	35
STM3061	3-8	11	STM3771	5-19	1	STM4003	5-12	11	STM4054	5-1	9
STM3061	3-10	6	STM3779	6-10	5	STM4003	5-13	4	STM4054	5-2	9
STM3066	2-14	5	STM3796	3-9	7	STM4003	5-14	4	STM4054	5-4	9
STM3066	4-11	14	STM3796	6-7	3	STM4003	5-15	4	STM4054	5-5	9
STM3066	4-12	13	STM3796	6-10	6	STM4003	5-16	4	STM4054	5-6	9
STM3091	3-10	2	STM3797	6-7	2	STM4003	5-17	4	STM4054	5-10	9
STM3260	6-9	38	STM3813	5-1	2	STM4003	5-17	12	STM4054	5-11	9
STM3355	2-19	20	STM3813	5-2	2	STM4003	5-17	14	STM4054	5-13	9
STM3355	2-20	4	STM3813	5-3	2	STM4003	5-18	4	STM4054	5-14	9
STM3355	3-5	31	STM3813	5-4	2	STM4003	6-9	31	STM4054	5-15	9
STM3355	3-6	12	STM3813	5-5	2	STM4003	10-4	7	STM4054	10-1	16
STM3355	3-7	12	STM3813	5-6	2	STM4003	10-5	28	STM4054	10-2	19
STM3355	3-7	15	STM3813	5-7	2	STM4003	10-6	7	STM4054	10-3	16
STM3355	3-8	12	STM3813	5-8	2	STM4003	10-14	10	STM4054	10-4	2
STM3355	3-10	8	STM3813	5-9	2	STM4010	2-21	5	STM4055	2-24	7
STM3355	3-11	11	STM3813	5-10	2	STM4011	2-21	8	STM4055	3-12	5
STM3355	4-11	3	STM3813	5-11	2	STM4013	4-4	10	STM4055	3-13	5
STM3355	4-12	3	STM3813	5-12	2	STM4013	6-7	7	STM4055	4-13	13
STM3355	4-13	9	STM3813	5-13	2	STM4014	3-3	29	STM4055	5-1	7
STM3355	4-24	4	STM3813	5-14	2	STM4014	3-5	26	STM4055	5-2	7
STM3355	5-19	3	STM3813	5-15	2	STM4014	4-4	9	STM4055	5-3	7
STM3389	2-3	6	STM3813	5-16	2	STM4014	4-6	4	STM4055	5-4	7
STM3409	6-3	8	STM3813	5-17	2	STM4014	4-8	4	STM4055	5-5	7
STM3410	6-3	9	STM3813	5-18	2	STM4014	4-25	13	STM4055	5-6	7
STM3448	2-5	19	STM3813	10-4	5	STM4016	6-10	10	STM4055	5-7	7
STM3491	3-8	19	STM3813	10-6	5	STM4018	3-8	4	STM4055	5-8	7
STM3491	3-18	22	STM3817	4-20	39	STM4018	3-17	4	STM4055	5-9	7
STM3491	5-19	6	STM3817	6-9	30	STM4018	6-7	9	STM4055	5-10	7
STM3491	5-19	8	STM3817	10-22	2	STM4018	6-10	12	STM4055	5-11	7
STM3518	10-21	27	STM3842	10-7	33	STM4018	10-1	12	STM4055	5-12	7
STM3650	4-10	2	STM3912	2-11	24	STM4018	10-2	14	STM4055	5-13	7
STM3688	4-6	3	STM4003	2-24	9	STM4018	10-3	12	STM4055	5-14	7
STM3688	4-8	3	STM4003	4-4	3	STM4018	10-20	8	STM4055	5-15	7
STM3690	1-1	3	STM4003	5-1	4	STM4031	5-7	9	STM4055	5-16	7
STM3690	1-2	3	STM4003	5-2	4	STM4031	5-9	9	STM4055	5-17	7
STM3690	6-7	5	STM4003	5-3	4	STM4031	5-16	9	STM4055	5-18	7

art.nr. / part	pag. page	pos.	art.nr. / part	pag. page	pos.	art.nr. / part	pag. page	pos.	art.nr. / part	pag. page	pos.
STM4055	6-10	3	STM4056	10-14	13	STM6167	3-15	11	STM7053	5-1	3
STM4055	10-1	18	STM4060	2-21	4	STM6180	6-7	10	STM7053	5-1	5
STM4055	10-2	21	STM4061	6-7	8	STM6185	6-8	22	STM7053	5-2	3
STM4055	10-3	18	STM4061	6-10	11	STM6185	6-11	24	STM7053	5-2	5
STM4055	10-4	3	STM4061	10-4	11	STM6185	10-21	33	STM7053	5-3	3
STM4055	10-6	3	STM4061	10-6	11	STM6186	6-8	23	STM7053	5-3	5
STM4055	10-14	15	STM4061	10-7	28	STM6186	6-11	26	STM7053	5-4	3
STM4056	2-21	3	STM4104	10-6	2	STM6238	4-25	9	STM7053	5-4	5
STM4056	2-21	11	STM4591	6-11	30	STM6239	4-25	10	STM7053	5-5	3
STM4056	4-20	40	STM4593	4-13	8	STM6248	4-11	9	STM7053	5-5	5
STM4056	5-1	6	STM4611	4-5	26	STM6269	4-10	6	STM7053	5-6	3
STM4056	5-1	6	STM4611	4-12	11	STM6269	4-19	28	STM7053	5-6	5
STM4056	5-2	6	STM4612	4-5	18	STM6277	4-1	16	STM7053	5-7	3
STM4056	5-2	6	STM4612	4-12	1	STM6278	4-1	15	STM7053	5-7	5
STM4056	5-3	6	STM4619	4-4	14	STM6291	6-9	39	STM7053	5-8	3
STM4056	5-3	6	STM5007	5-19	1	STM6299	3-3	23	STM7053	5-8	5
STM4056	5-4	6	STM5017	10-4	12	STM6299	3-4	13	STM7053	5-9	3
STM4056	5-4	6	STM5434	3-18	25	STM6299	10-13	8	STM7053	5-9	5
STM4056	5-5	6	STM5800	10-4	10	STM6305	2-13	8	STM7053	5-10	3
STM4056	5-5	6	STM5800	10-6	10	STM6412	4-11	1	STM7053	5-10	5
STM4056	5-6	6	STM5801	10-4	10	STM6503	3-2	8	STM7053	5-11	3
STM4056	5-6	6	STM5801	10-6	10	STM6531	3-2	15	STM7053	5-11	5
STM4056	5-7	6	STM6000	10-14	1	STM6531	3-4	8	STM7053	5-12	3
STM4056	5-7	6	STM6001	10-14	1	STM6560	3-8	6	STM7053	5-12	5
STM4056	5-8	6	STM6005	10-14	17	STM6560	3-17	6	STM7053	5-13	3
STM4056	5-8	6	STM6032	10-14	8	STM6560	10-14	11	STM7053	5-13	5
STM4056	5-9	6	STM6049	6-7	4	STM6561	3-6	3	STM7053	5-14	3
STM4056	5-9	6	STM6049	6-10	7	STM6562	4-6	11	STM7053	5-14	5
STM4056	5-10	6	STM6049	10-20	16	STM6562	4-8	11	STM7053	5-15	3
STM4056	5-10	6	STM6050	6-7	1	STM6568	4-2	18	STM7053	5-15	5
STM4056	5-11	6	STM6050	6-10	4	STM6568	4-22	15	STM7053	5-16	3
STM4056	5-11	6	STM6113	1-1	2	STM6568	4-23	9	STM7053	5-16	5
STM4056	5-12	6	STM6113	1-2	2	STM6571	4-18	1	STM7053	5-17	3
STM4056	5-12	6	STM6113	3-2	7	STM6581	6-8	18	STM7053	5-17	5
STM4056	5-13	6	STM6115	6-7	6	STM6581	6-8	19	STM7053	5-18	3
STM4056	5-13	6	STM6121	3-2	17	STM6911	4-19	24	STM7053	5-18	5
STM4056	5-14	6	STM6121	3-4	10	STM6920	10-15	7	STM7053	10-4	6
STM4056	5-14	6	STM6121	10-20	3	STM6955	4-19	23	STM7053	10-4	8
STM4056	5-15	6	STM6126	3-3	21	STM6961	4-20	37	STM7053	10-6	6
STM4056	5-15	6	STM6126	3-15	3	STM6982	4-14	14	STM7053	10-6	8
STM4056	5-16	6	STM6126	3-16	3	STM6982	4-15	14	STM7053	10-14	12
STM4056	5-16	6	STM6127	3-15	2	STM6990	4-5	28	STM7056	6-8	16
STM4056	5-17	6	STM6127	3-16	2	STM6991	4-5	21	STM7056	6-11	21
STM4056	5-17	6	STM6159	4-5	23	STM6993	4-17	1	STM7056	10-21	31
STM4056	5-18	6	STM6159	4-11	10	STM6994	4-21	1	STM7059	3-14	11
STM4056	5-18	6	STM6159	4-12	9	STM6995	4-5	29	STM7059	4-6	13
STM4056	10-4	9	STM6159	4-24	7	STM7009	10-6	12	STM7059	4-8	13
STM4056	10-6	9	STM6163	3-15	8	STM7053	4-13	15	STM7059	5-2	10

art.nr. / part	pag. page	pos.	art.nr. / part	pag. page	pos.	art.nr. / part	pag. page	pos.	art.nr. / part	pag. page	pos.
STM7059	5-2	10	STM7566	5-6	1	STM7603	10-3	6	STM7646	10-20	2
STM7059	5-11	10	STM7566	5-7	1	STM7604	10-2	11	STM7648	3-3	31
STM7059	5-11	10	STM7566	5-9	1	STM7605	10-1	1	STM7654	3-1	11
STM7059	6-7	13	STM7566	5-10	1	STM7606	10-2	1	STM7654	3-9	3
STM7222	10-15	13	STM7566	5-11	1	STM7606	10-3	1	STM7655	4-2	23
STM7254	10-15	11	STM7566	5-13	1	STM7607	10-1	2	STM7656	4-2	22
STM7285	3-7	5	STM7566	5-14	1	STM7608	10-2	2	STM7667	4-4	4
STM7285	3-11	5	STM7566	5-15	1	STM7608	10-3	2	STM7673	3-5	28
STM7294	4-7	28	STM7566	5-16	1	STM7609	5-3	9	STM7673	3-8	14
STM7294	4-9	28	STM7566	5-18	1	STM7609	5-8	9	STM7674	3-6	1
STM7410	2-4	4	STM7566	10-13	1	STM7609	5-12	9	STM7674	3-7	10
STM7411	2-5	10	STM7567	5-3	1	STM7609	5-17	9	STM7675	3-6	8
STM7412	2-8	1	STM7567	5-8	1	STM7611	10-1	4	STM7676	3-6	9
STM7414	2-8	4	STM7567	5-12	1	STM7612	10-1	9	STM7677	3-6	10
STM7415	2-8	10	STM7567	5-17	1	STM7612	10-2	9	STM7679	3-5	29
STM7435	2-13	4	STM7567	10-4	1	STM7614	10-1	15	STM7683	10-9	13
STM7442	2-13	3	STM7567	10-6	1	STM7615	10-1	10	STM7683	10-10	13
STM7443	2-13	7	STM7567	10-14	14	STM7616	10-2	4	STM7688	3-15	13
STM7443	2-24	3	STM7568	3-5	30	STM7616	10-3	4	STM7688	3-16	9
STM7444	4-4	11	STM7568	5-19	2	STM7617	10-3	9	STM7689	3-15	12
STM7446	3-2	10	STM7570	2-21	1	STM7618	10-3	10	STM7689	3-16	8
STM7458	2-13	9	STM7571	2-21	2	STM7619	10-3	15	STM7700	2-8	1
STM7470	3-4	14	STM7572	6-9	29	STM7620	10-2	10	STM7702	2-8	3
STM7470	10-17	2	STM7574	2-18	2	STM7621	10-2	18	STM7704	2-8	7
STM7472	2-13	10	STM7576	4-22	2	STM7623	4-4	12	STM7705	2-8	8
STM7484	2-13	5	STM7577	4-22	6	STM7624	4-4	2	STM7706	2-8	10
STM7551	3-2	2	STM7583	3-4	15	STM7625	4-4	8	STM7707	2-8	11
STM7552	3-2	1	STM7584	2-21	6	STM7625	4-6	2	STM7708	2-8	12
STM7553	3-4	2	STM7585	3-3	27	STM7625	4-8	2	STM7709	2-8	13
STM7554	3-4	1	STM7585	3-14	2	STM7627	4-3	7	STM7709	2-16	12
STM7555	3-2	6	STM7586	3-5	24	STM7629	3-15	9	STM7710	2-8	14
STM7557	3-3	19	STM7587	3-5	22	STM7630	3-15	1	STM7710	3-3	28
STM7558	3-3	20	STM7589	2-18	2	STM7630	3-16	1	STM7710	3-5	25
STM7559	3-9	1	STM7591	4-5	27	STM7630	3-17	11	STM7710	3-12	9
STM7560	3-9	9	STM7591	4-11	13	STM7630	3-19	1	STM7710	3-13	9
STM7560	3-10	1	STM7591	4-12	12	STM7631	3-15	10	STM7710	3-18	17
STM7560	3-11	13	STM7593	4-22	3	STM7640	4-3	2	STM7710	3-19	7
STM7561	3-14	1	STM7594	4-22	7	STM7641	4-3	3	STM7711	2-8	15
STM7562	3-14	3	STM7595	2-21	7	STM7641	4-4	5	STM7712	2-6	1
STM7563	3-14	4	STM7595	2-21	10	STM7641	4-6	8	STM7713	2-6	2
STM7564	3-6	11	STM7598	6-8	20	STM7641	4-8	8	STM7714	2-6	3
STM7564	3-14	10	STM7598	6-11	29	STM7642	4-3	5	STM7715	2-6	4
STM7565	3-6	6	STM7599	6-8	21	STM7642	4-4	7	STM7716	2-6	7
STM7565	3-10	7	STM7601	10-1	5	STM7642	4-6	6	STM7717	2-6	8
STM7566	5-1	1	STM7601	10-2	5	STM7642	4-8	6	STM7718	2-6	9
STM7566	5-2	1	STM7602	10-3	5	STM7643	1-1	7	STM7719	2-6	11
STM7566	5-4	1	STM7603	10-1	6	STM7643	4-3	6	STM7720	2-6	12
STM7566	5-5	1	STM7603	10-2	6	STM7646	4-3	11	STM7721	2-6	14



art.nr. / part	pag. page	pos.	art.nr. / part	pag. page	pos.	art.nr. / part	pag. page	pos.	art.nr. / part	pag. page	pos.
STM7722	2-6	15	STM7771	2-16	15	STM7821	2-18	7	STM7869	6-3	11
STM7723	2-6	16	STM7772	2-10	3	STM7821	2-19	7	STM7870	6-3	12
STM7724	2-7	17	STM7773	2-10	4	STM7822	2-15	4	STM7871	6-3	13
STM7725	2-7	18	STM7774	2-10	5	STM7822	2-17	18	STM7872	6-3	14
STM7727	2-7	20	STM7774	2-17	17	STM7822	2-18	8	STM7873	6-3	15
STM7728	2-7	21	STM7776	2-10	8	STM7822	2-19	8	STM7874	6-3	16
STM7729	2-7	22	STM7777	2-10	9	STM7823	2-15	5	STM7875	6-3	17
STM7730	2-6	13	STM7777	2-17	27	STM7824	2-15	6	STM7876	6-3	18
STM7731	2-7	19	STM7778	2-10	11	STM7824	2-18	9	STM7876	6-8	25
STM7732	2-9	1	STM7779	2-10	12	STM7824	2-19	9	STM7877	6-3	19
STM7734	2-9	4	STM7780	2-11	23	STM7825	2-17	20	STM7877	6-8	24
STM7734	2-16	13	STM7782	2-12	13	STM7825	3-3	32	STM7879	6-6	2
STM7736	2-9	5	STM7783	2-12	14	STM7825	3-4	11	STM7880	6-6	3
STM7737	2-9	7	STM7784	2-12	15	STM7826	2-12	10	STM7881	6-6	3
STM7738	2-9	9	STM7784	2-16	3	STM7827	2-12	11	STM7882	6-6	3
STM7739	2-9	10	STM7786	2-12	17	STM7828	2-12	12	STM7883	6-6	3
STM7740	2-9	12	STM7787	2-4	1	STM7829	2-12	1	STM7884	6-6	3
STM7742	2-1	1	STM7788	2-4	1	STM7831	2-12	2	STM7885	6-6	3
STM7743	2-1	3	STM7789	2-4	1	STM7832	2-12	5	STM7886	6-6	3
STM7744	2-1	4	STM7790	2-4	2	STM7834	4-10	8	STM7887	6-6	3
STM7745	2-1	5	STM7791	2-4	2	STM7835	2-13	1	STM7888	6-6	3
STM7746	2-1	6	STM7792	2-4	2	STM7836	2-13	2	STM7889	6-6	3
STM7747	2-1	8	STM7793	2-4	3	STM7843	3-1	1	STM7890	6-6	4
STM7748	2-1	9	STM7794	2-4	4	STM7844	3-1	2	STM7891	6-6	5
STM7748	2-1	9	STM7795	2-4	5	STM7845	3-1	3	STM7892	6-6	6
STM7749	2-1	10	STM7796	2-4	6	STM7845	10-9	7	STM7894	6-6	8
STM7750	2-1	11	STM7799	2-4	9	STM7845	10-11	6	STM7895	6-1	1
STM7751	2-2	15	STM7800	2-4	9	STM7847	3-1	7	STM7896	6-1	2
STM7752	2-2	17	STM7801	2-4	9	STM7848	3-1	8	STM7897	6-1	3
STM7753	2-2	18	STM7802	2-4	9	STM7849	3-1	9	STM7898	6-1	4
STM7754	2-2	19	STM7803	2-5	10	STM7850	3-1	10	STM7899	6-1	5
STM7755	2-2	20	STM7804	2-5	12	STM7852	3-1	12	STM7900	6-1	6
STM7755	2-16	16	STM7805	2-5	13	STM7853	3-1	13	STM7901	6-1	7
STM7756	2-2	21	STM7806	2-5	14	STM7854	3-1	14	STM7902	6-1	8
STM7757	2-2	22	STM7807	2-5	15	STM7855	2-17	22	STM7903	6-1	9
STM7758	2-2	23	STM7809	2-5	16	STM7855	3-1	15	STM7904	6-1	10
STM7760	2-3	2	STM7812	2-5	21	STM7855	3-9	2	STM7905	6-1	11
STM7761	2-3	3	STM7814	2-11	18	STM7856	2-17	23	STM7906	6-1	12
STM7761	2-16	14	STM7815	2-11	19	STM7856	3-1	16	STM7907	6-1	13
STM7762	2-3	4	STM7816	2-11	20	STM7857	3-1	17	STM7908	6-1	14
STM7763	2-3	5	STM7817	2-11	21	STM7858	3-1	18	STM7909	6-1	15
STM7764	2-3	6	STM7818	2-11	22	STM7860	3-1	19	STM7910	6-1	16
STM7765	2-3	6	STM7819	2-15	1	STM7863	6-3	3	STM7911	6-1	17
STM7766	2-3	6	STM7820	2-15	2	STM7864	6-3	4	STM7912	6-1	18
STM7767	2-3	7	STM7820	2-17	19	STM7865	6-3	5	STM7913	6-2	19
STM7769	2-3	10	STM7820	2-20	9	STM7866	6-3	6	STM7914	6-2	20
STM7770	2-10	1	STM7821	2-15	3	STM7867	6-3	7	STM7915	6-2	21
STM7771	2-10	2	STM7821	2-17	21	STM7868	6-3	10	STM7916	6-2	22

art.nr. / part	pag. page	pos.	art.nr. / part	pag. page	pos.	art.nr. / part	pag. page	pos.	art.nr. / part	pag. page	pos.
STM7917	6-2	23	STM7977	6-4	10	STM8804	3-17	2	STM9171	4-18	6
STM7918	2-17	24	STM7978	6-4	11	STM8805	4-25	11	STM9172	4-14	7
STM7918	6-2	24	STM7979	6-5	12	STM9003	3-12	10	STM9172	4-15	7
STM7919	6-2	25	STM7980	6-5	13	STM9003	3-13	10	STM9172	4-16	7
STM7920	6-2	26	STM7981	6-5	14	STM9003	3-18	18	STM9172	4-18	7
STM7921	6-2	27	STM7982	6-5	15	STM9003	3-19	8	STM9172	10-15	5
STM7922	6-2	29	STM7983	6-5	16	STM9003	5-3	10	STM9173	4-14	8
STM7923	6-2	30	STM7985	6-5	17	STM9003	5-8	11	STM9180	4-16	14
STM7924	6-2	31	STM7986	6-5	18	STM9003	5-8	13	STM9181	4-18	16
STM7925	6-2	32	STM7987	6-5	19	STM9003	5-12	10	STM9184	4-11	11
STM7926	6-2	33	STM7988	6-8	26	STM9003	5-17	11	STM9185	1-1	1
STM7928	6-2	35	STM7989	6-8	27	STM9003	5-17	13	STM9185	4-11	12
STM7931	4-10	4	STM7990	6-8	28	STM9003	10-5	29	STM9186	4-14	1
STM7932	4-10	5	STM7999	4-10	7	STM9003	10-7	29	STM9186	4-15	1
STM7933	4-1	4	STM8057	6-8	17	STM9043	4-11	5	STM9186	4-16	1
STM7934	4-1	5	STM8057	6-11	23	STM9043	4-12	6	STM9187	4-14	17
STM7935	4-1	6	STM8057	10-21	32	STM9043	4-13	17	STM9188	4-14	16
STM7937	4-1	12	STM8076	1-1	4	STM9050	4-2	21	STM9188	4-15	16
STM7938	4-1	13	STM8076	1-2	4	STM9050	4-5	24	STM9188	4-16	17
STM7939	4-1	14	STM8076	3-15	7	STM9050	4-7	25	STM9188	4-18	14
STM7940	2-10	16	STM8076	3-16	7	STM9050	4-9	25	STM9191	4-15	22
STM7940	4-1	9	STM8126	3-7	3	STM9050	4-12	5	STM9215	4-14	12
STM7941	2-11	17	STM8126	3-11	3	STM9050	4-13	2	STM9215	4-15	12
STM7941	4-1	10	STM8129	4-22	18	STM9062	4-2	24	STM9215	4-16	12
STM7942	4-1	11	STM8129	4-23	12	STM9062	4-11	6	STM9215	4-19	21
STM7943	4-1	8	STM8129	6-11	17	STM9063	4-7	27	STM9256	3-12	3
STM7944	4-1	1	STM8177	4-2	25	STM9063	4-9	27	STM9256	3-13	3
STM7945	4-1	7	STM8177	4-11	7	STM9065	10-15	1	STM9262	6-8	15
STM7953	2-16	11	STM8177	4-12	8	STM9066	10-15	2	STM9262	6-11	22
STM7959	2-8	5	STM8210	4-13	16	STM9068	10-15	8	STM9262	10-21	30
STM7960	2-8	6	STM8214	10-21	25	STM9069	10-15	12	STM9292	4-3	1
STM7961	2-8	9	STM8255	4-22	1	STM9113	4-13	7	STM9292	4-6	1
STM7962	2-12	4	STM8255	4-24	1	STM9164	4-14	13	STM9292	4-4	1
STM7963	2-16	2	STM8277	5-8	10	STM9164	4-15	13	STM9316	10-20	17
STM7964	2-17	25	STM8277	5-17	10	STM9168	4-14	2	STM9317	10-4	13
STM7965	2-16	1	STM8332	10-1	3	STM9168	4-15	2	STM9317	10-6	13
STM7966	1-1	7	STM8332	10-2	3	STM9169	4-14	4	STM9318	10-4	14
STM7966	4-2	27	STM8332	10-3	3	STM9169	4-15	4	STM9318	10-6	14
STM7967	4-1	2	STM8332	10-13	6	STM9169	4-16	4	STM9318	10-8	1
STM7968	6-4	1	STM8372	6-10	14	STM9169	4-18	4	STM9320	10-5	26
STM7969	6-4	2	STM8391	10-2	15	STM9169	10-15	4	STM9320	10-7	26
STM7970	6-4	3	STM8567	3-17	15	STM9170	4-14	5	STM9320	10-14	2
STM7971	6-4	4	STM8567	3-19	5	STM9170	4-15	5	STM9322	10-8	2
STM7972	6-4	5	STM8569	4-22	9	STM9170	4-16	5	STM9323	10-8	3
STM7973	6-4	6	STM8726	2-22	7	STM9170	4-18	5	STM9324	10-8	4
STM7974	6-4	7	STM8726	2-23	7	STM9171	4-14	6	STM9325	10-8	5
STM7975	6-4	8	STM8726	6-10	15	STM9171	4-15	6	STM9326	10-8	6
STM7976	6-4	9	STM8804	3-8	2	STM9171	4-16	6	STM9327	10-8	7



art.nr. / part	pag. page	pos.	art.nr. / part	pag. page	pos.	art.nr. / part	pag. page	pos.
STM9328	10-8	8	STM9731	4-20	35	STM9914	10-7	30
STM9329	10-8	9	STM9742	4-25	15	STM9962	6-4	3
STM9330	10-8	10	STM9750	4-25	12	STM9963	6-4	4
STM9333	10-8	11	STM9765	4-25	14	STM9964	6-4	6
STM9334	10-8	12	STM9798	4-13	14	STM9965	6-4	7
STM9335	10-8	13	STM9805	4-7	29	STM9971	6-4	1
STM9336	10-8	14	STM9836	4-1	2	STM9986	2-8	10
STM9337	10-8	15	STM9851	3-7	1	STM9998	2-11	19
STM9338	10-8	16	STM9851	3-11	1	TACHB4000	4-15	18
STM9352	10-5	25	STM9852	3-7	7	TACHB4000	4-16	8
STM9352	10-7	25	STM9852	3-11	7	TACHB4000	4-18	8
STM9440	3-1	18	STM9853	3-11	8	TEMPB	4-18	10
STM9440	4-7	19	STM9855	4-6	9	TEMPSR120	4-19	25
STM9440	4-9	19	STM9855	4-8	9	VBELTCOVERM4	2-23	11
STM9441	10-10	14	STM9856	4-6	10	VD60090	3-8	20
STM9443	10-11	1	STM9856	4-8	10	VD60090	3-17	9
STM9443	10-12	1	STM9857	1-1	7	VD60090	10-21	29
STM9446	10-11	5	STM9857	1-2	9	VOLT...	4-18	9
STM9446	10-12	5	STM9858	1-1	7	VOLT....	4-15	20
STM9458	10-13	2	STM9858	1-2	9	VOLT....	4-16	9
STM9474	2-18	1	STM9858	4-6	5			
STM9474	2-19	1	STM9858	4-8	5			
STM9476	2-19	2	STM9859	3-7	11			
STM9477	2-1	9	STM9859	3-11	10			
STM9500	10-10	6	STM9860	2-22	2			
STM9501	10-10	3	STM9860	2-23	2			
STM9502	3-4	17	STM9860	3-7	16			
STM9502	10-9	5	STM9860	3-11	12			
STM9502	10-10	5	STM9861	4-7	24			
STM9503	3-4	18	STM9861	4-9	24			
STM9503	10-9	4	STM9862	4-2	28			
STM9503	10-10	4	STM9862	4-3	14			
STM9504	3-4	19	STM9862	4-5	30			
STM9504	10-9	2	STM9862	4-11	4			
STM9504	10-10	2	STM9862	4-12	4			
STM9505	10-10	1	STM9888	4-14	23			
STM9507	10-10	12	STM9888	4-15	23			
STM9511	3-5	38	STM9888	4-16	20			
STM9512	3-5	37	STM9888	4-20	36			
STM9513	3-4	16	STM9895	3-7	8			
STM9514	3-4	21	STM9896	2-19	3			
STM9543	1-1	6	STM9897	2-19	3			
STM9545	1-2	8	STM9901	2-8	1			
STM9674	10-20	5	STM9905	10-20	18			
STM9682	3-7	2	STM9907	10-21	23			
STM9682	3-11	2	STM9908	10-21	21			
STM9682	4-3	12	STM9911	10-21	19			
STM9731	4-16	16	STM9912	10-21	20			



Havenstraat 11 - 3115 HC Schiedam - The Netherlands  
Tel.: +31 (0)88 4884700 - [sales@vetus.com](mailto:sales@vetus.com) - [www.vetus.com](http://www.vetus.com)