



Declaration of Conformity

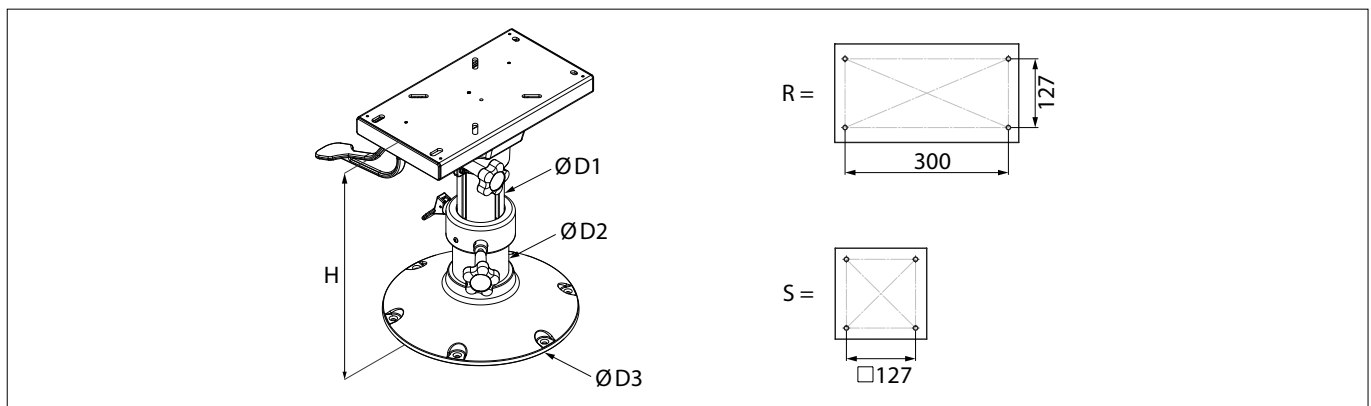
We : Vetus B.V.
Fokkerstraat 571
3125 BD Schiedam
The Netherlands

hereby declare under our sole responsibility that the product(s) listed below to which this declaration relates are in conformity with the applicable requirements of the following standard(s):

ABYC H-31, July 2020

Seat structures

Description	Seat pedestals					
	Type	Height (H) [mm]	Hole pattern	Post \emptyset (D1/D2) [mm]	Base \emptyset (D3) [mm]	Weight [kg]
PCM3040		300 - 400	S	60 / 73	228	4
PCM3547		350 - 470	S	60 / 73	228	5
PCM4363		435 - 605	S	60 / 73	228	5.8
PCMS3040 / PCG3040		300 - 400	R / S	73 / 87	228	6
PCMS3547 / PCG3547		350 - 470	R / S	73 / 87	305	7
PCMS4363		435 - 635	R / S	73 / 87	305	7.8
PCG4363		435 - 605	R / S	73 / 87	305	7.8
PCG5680		560 - 800	R / S	73 / 87	305	9
PCFS33		330	R / S	73 (D2)	228	4.2
PCF33		330	S	73 (D2)	228	3.8
PCFS45		457	R / S	73 (D2)	228	4.8
PCF45		457	S	73 (D2)	228	3.6



Signed for and on behalf of: Vetus B.V.

Place and date of issue: Schiedam, 19.05.2022

J.A. Boonstra
Project manager