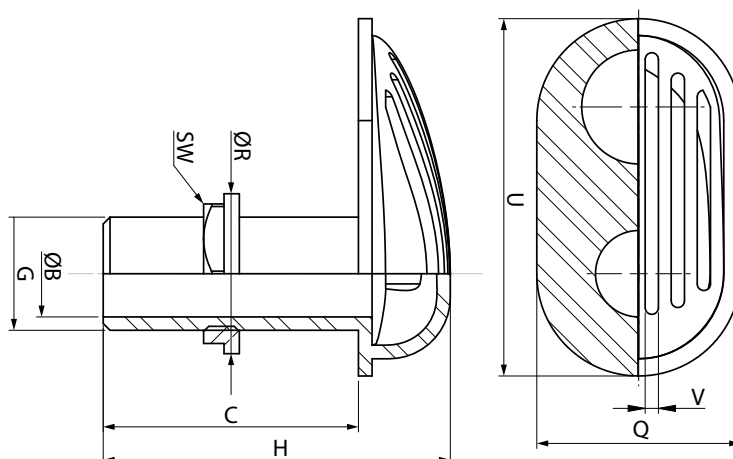


# DATASHEET

Productcode	Description
QJ05M_(series)	Stainless steel (AISI 316) water scoop

Material composition													
C	Si	Mn	P	S	Cr	Ni	Mo	Cu	Ti	V	AL	Nb	Fe
0.046	0.578	0.894	<0.001	<0.020	17.6	10.2	2.2	0.135	0.139	0.049	0.051	0.178	68.4



Type	Thread (G*)	ØB [mm]	H [mm]	C [mm]	Q [mm]	ØR [mm]	SW [mm]	U [mm]	V [mm]	Weight [kg]
QJ05MC-NN	3/8"	11	90	66	44	26	22	81	2.5	0.2
QJ05MD-NN	1/2"	12	88	65	44	32	25	81	2.5	0.3
QJ05ME-NN	3/4"	19	107	82	56	41	32	104	3	0.4
QJ05MF-NN	1"	26	105	76	60	47	38	106	3.2	0.5
QJ05MG-NN	1 1/4"	33	103	78	64	57	49	116	2.8	0.6
QJ05MH-NN	1 1/2"	39	108	82	70	72	53	133	2.5	0.7
QJ05MI-NN	2"	51	122	91	86	83	69	152	3.6	1.0

(\*) According to ISO 228/1-G..B

The drawing and dimensions mentioned on this data sheet are for information purposes only. Users acknowledge that no rights, guarantees or warranties may be derived from them.

**VETUS B.V.**

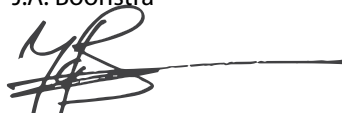
Fokkerstraat 571  
3125 BD Schiedam  
The Netherlands

www.vetus.com

**Signed for and on behalf of VETUS B.V.**

Schiedam, February 19, 2024

J.A. Boonstra



Project Manager Regulatory Compliance, R&D Department