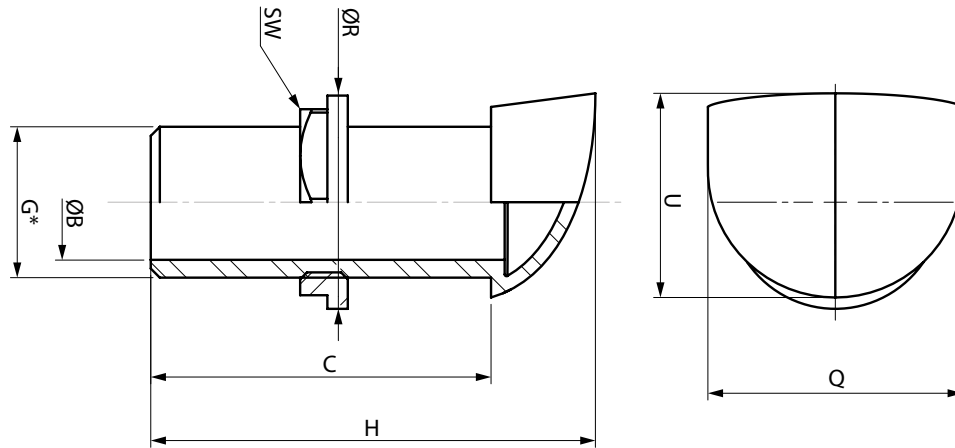


# DATASHEET

Productcode	Description
QH05M_(series)	Stainless steel (AISI 316) air vent (no flame arrester)

Material composition													
C	Si	Mn	P	S	Cr	Ni	Mo	Cu	Ti	V	AL	Nb	Fe
0.046	0.578	0.894	<0.001	<0.020	17.6	10.2	2.2	0.135	0.139	0.049	0.051	0.178	68.4



Type	Thread (G*)	ØB [mm]	H [mm]	C [mm]	Q [mm]	ØR [mm]	SW [mm]	U [mm]	Weight [kg]
QH05MD-NN	1/2"	16	83	65	38	32	25	38	0.1
QH05ME-NN	3/4"	21	86	65	43	41	32	41	0.2
QH05MF-NN	1"	27	98	75	50	47	38	58	0.3
QH05MG-NN	1 1/4"	36	108	79	57	57	49	65	0.4
QH05MH-NN	1 1/2"	42	114	82	64	72	53	75	0.5
QH05MI-NN	2"	53	134	89	81	83	68	97	1.0

(\*) According to ISO 228/1-G..B

The drawing and dimensions mentioned on this data sheet are for information purposes only. Users acknowledge that no rights, guarantees or warranties may be derived from them.

**VETUS B.V.**

Fokkerstraat 571  
3125 BD Schiedam  
The Netherlands

www.vetus.com

**Signed for and on behalf of VETUS B.V.**

Schiedam, February 19, 2024

J.A. Boonstra



Project Manager Regulatory Compliance, R&D Department