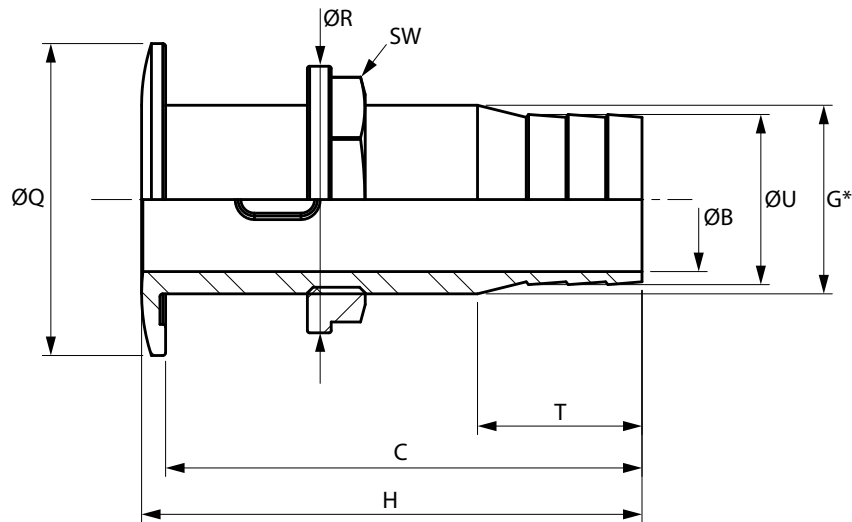


DATASHEET

Productcode	Description
QF05M_(series)	Stainless steel (AISI 316) thru-hull fitting, rounded with hose connection

Material composition

C	Si	Mn	P	S	Cr	Ni	Mo	Cu	Ti	V	AL	Nb	Fe
0.046	0.578	0.894	<0.001	<0.020	17.6	10.2	2.2	0.135	0.139	0.049	0.051	0.178	68.4



Type	Thread (G*)	ØU [mm]	ØB [mm]	H [mm]	C [mm]	ØQ [mm]	ØR [mm]	SW [mm]	T [mm]	Weight [mm]
QF05MC-14	3/8"	14	11	59	55	35	26	22	20	0.08
QF05MD-18	1/2"	18	15	65	60	39	32	25	24	0.11
QF05ME-23	3/4"	23	20	75	71	49	41	32	24	0.18
QF05MF-29	1"	29	25	79	73	54	47	38	30	0.24
QF05MG-38	1 1/4"	38	35	85	80	63	57	49	30	0.30
QF05MH-44	1 1/2"	44	40	87	81	71	72	53	30	0.44
QF05MI-55	2"	55	52	100	95	85	83	68	40	0.65

(*) According to ISO 228/1-G..B

The drawing and dimensions mentioned on this data sheet are for information purposes only. Users acknowledge that no rights, guarantees or warranties may be derived from them.

VETUS B.V.

Fokkerstraat 571
3125 BD Schiedam
The Netherlands

www.vetus.com

Signed for and on behalf of VETUS B.V.

Schiedam, February 19, 2024

J.A. Boonstra



Project Manager Regulatory Compliance, R&D Department