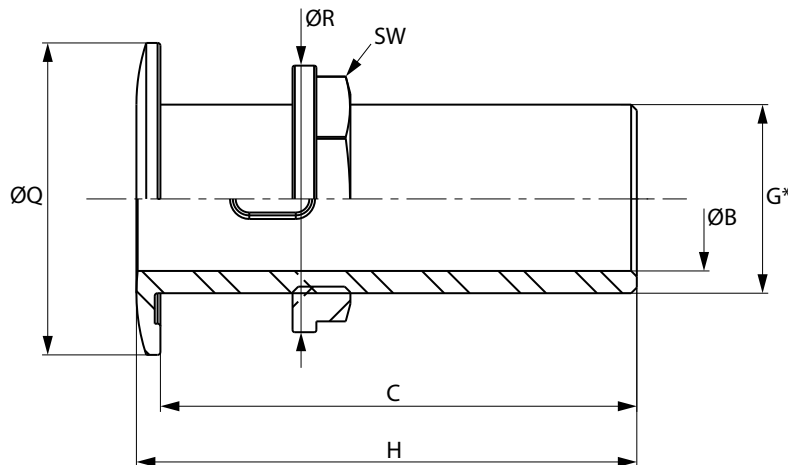


# DATASHEET

Productcode	Description
QD05M_(series)	Stainless steel (AISI 316) thru-hull fitting, rounded

## Material composition

C	Si	Mn	P	S	Cr	Ni	Mo	Cu	Ti	V	AL	Nb	Fe
0.046	0.578	0.894	<0.001	<0.020	17.6	10.2	2.2	0.135	0.139	0.049	0.051	0.178	68.4



Type	Thread (G*)	ØB [mm]	H [mm]	C [mm]	ØQ [mm]	ØR [mm]	SW [mm]	Weight [kg]
QD05MC-NN	3/8"	11	57	53	35	26	22	0.08
QD05MD-NN	1/2"	15	63	59	39	32	25	0.10
QD05ME-NN	3/4"	20	75	70	49	41	32	0.22
QD05MF-NN	1"	25	79	73	55	47	38	0.26
QD05MG-NN	1 1/4"	35	84	79	63	57	49	0.35
QD05MH-NN	1 1/2"	40	84	79	71	72	53	0.50
QD05MI-NN	2"	52	101	97	85	83	68	0.75

(\*) According to ISO 228/1-G..B

The drawing and dimensions mentioned on this data sheet are for information purposes only. Users acknowledge that no rights, guarantees or warranties may be derived from them.

**VETUS B.V.**

Fokkerstraat 571  
3125 BD Schiedam  
The Netherlands

www.vetus.com

**Signed for and on behalf of VETUS B.V.**

Schiedam, February 19, 2024

J.A. Boonstra



Project Manager Regulatory Compliance, R&D Department