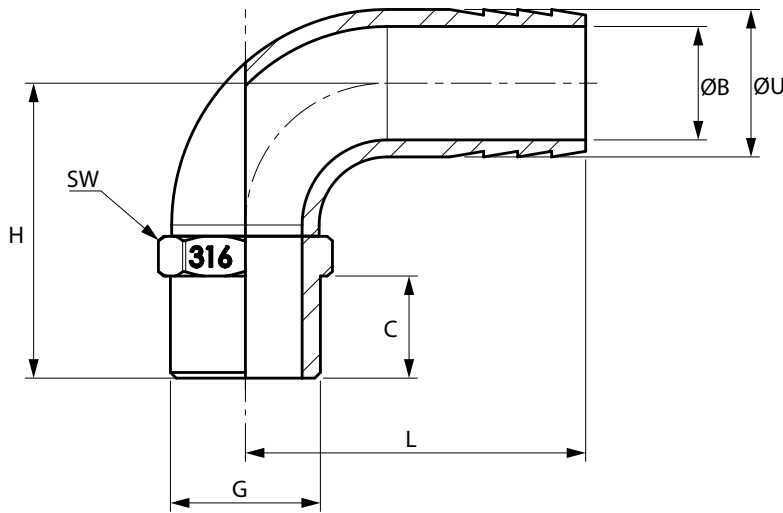


# DATASHEET

Productcode	Description
QB05M_(series)	Stainless steel (AISI 316) hose connector, 90° bend, male thread

Material composition													
C	Si	Mn	P	S	Cr	Ni	Mo	Cu	Ti	V	AL	Nb	Fe
0.046	0.578	0.894	<0.001	<0.020	17.6	10.2	2.2	0.135	0.139	0.049	0.051	0.178	68.4



Type	Thread (G)	ØU [mm]	ØB [mm]	C [mm]	L [mm]	H [mm]	SW [mm]	Weight [kg]
QB05MD-20	1/2"	20	15	15	54	39	23	0.11
QB05ME-25	3/4"	25	19	17	66	46	29	0.19
QB05MF-30	1"	30	24	18	73	51	35	0.27
QB05MG-38	1 1/4"	38	31	21	82	57	44	0.38

The drawing and dimensions mentioned on this data sheet are for information purposes only. Users acknowledge that no rights, guarantees or warranties may be derived from them.

**VETUS B.V.**

Fokkerstraat 571  
3125 BD Schiedam  
The Netherlands

www.vetus.com

**Signed for and on behalf of VETUS B.V.**

Schiedam, February 19, 2024

J.A. Boonstra



Project Manager Regulatory Compliance, R&D Department