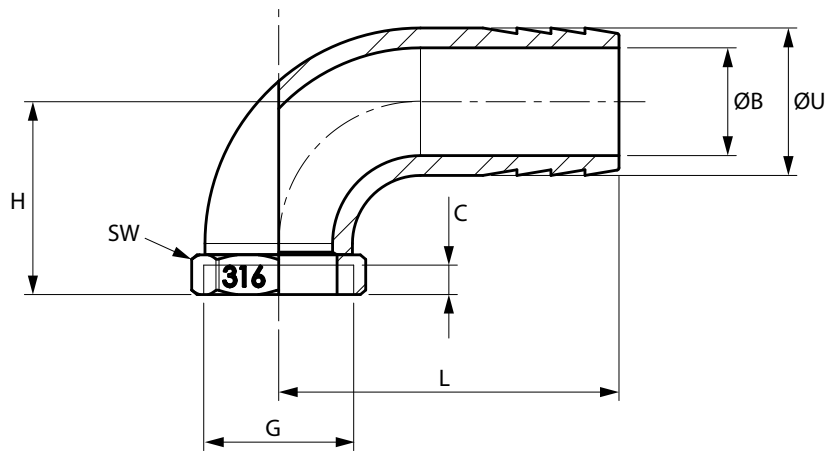


DATASHEET

Productcode	Description
QB05F_(series)	Stainless steel (AISI 316) hose connector, 90° bend, female thread

Material composition

C	Si	Mn	P	S	Cr	Ni	Mo	Cu	Ti	V	AL	Nb	Fe
0.046	0.578	0.894	<0.001	<0.020	17.6	10.2	2.2	0.135	0.139	0.049	0.051	0.178	68.4



Type	Thread (G)	ØU [mm]	ØB [mm]	C [mm]	L [mm]	H [mm]	SW [mm]	Weight [kg]
QB05FD-19	1/2"	19	15	11	48	21	27	0.09
QB05FE-25	3/4"	25	19	11	57	26	32	0.15
QB05FF-30	1"	30	24	13	65	30	35	0.24
QB05FH-39	1 1/2"	39	33	16	84	43	55	0.37
QB05FH-50	1 1/2"	50	43	16	84	43	55	0.54

The drawing and dimensions mentioned on this data sheet are for information purposes only. Users acknowledge that no rights, guarantees or warranties may be derived from them.

VETUS B.V.

Fokkerstraat 571
3125 BD Schiedam
The Netherlands

www.vetus.com

Signed for and on behalf of VETUS B.V.

Schiedam, February 19, 2024

J.A. Boonstra



Project Manager Regulatory Compliance, R&D Department