

# **Marine Diesel Engines**

**VD4.120**

**VD4.140**

**VD6.170**

**VD6.210**

**Parts catalogue**

Deze onderdelencatalogus bevat waardevolle informatie voor onderhoud en service aan uw motor.

Wij adviseren U, bij vervanging alleen originele **VETUS** onderdelen toe te passen.

Het typeplaatje bevat informatie over de typeaanduiding, het motornummer en de serie.

Gebruik deze informatie bij bestelling van onderdelen.

This parts'catalogue contains valuable information for maintenance and service over your engine.

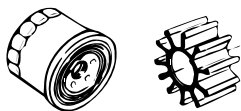
For replacement, we recommend that you use only genuine **VETUS** parts.

The identification tag contains information about model, serial number and series.

Use this information when ordering parts.

---

1



Reserve kits  
Spare parts kit

---

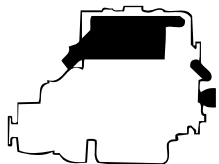
2



Motor  
Engine

---

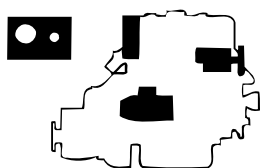
3



Koeling  
Cooling

---

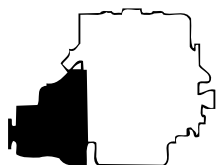
4



Electra, bediening en instrumenten  
Electrics, controls, instruments

---

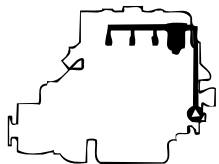
5



Aandrijving  
Transmission

---

6



Brandstofsysteem  
Fuel system

---

7

Generator  
Generator

---

8

Gereedschappen  
Tools

---

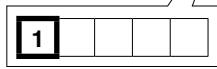
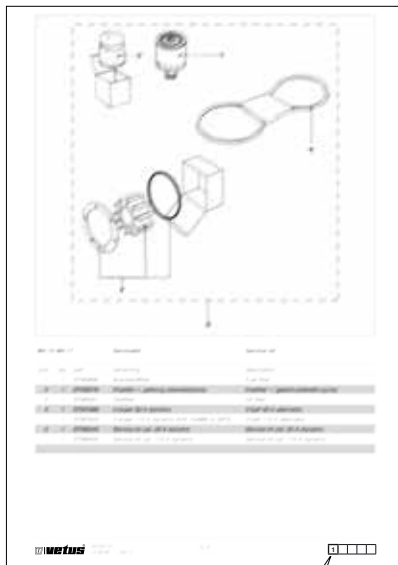
9

10

Accessoires  
Optionals

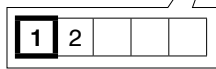
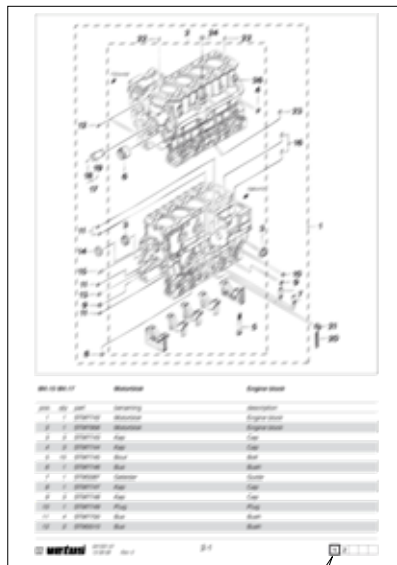
---

# Info



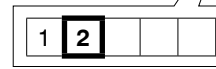
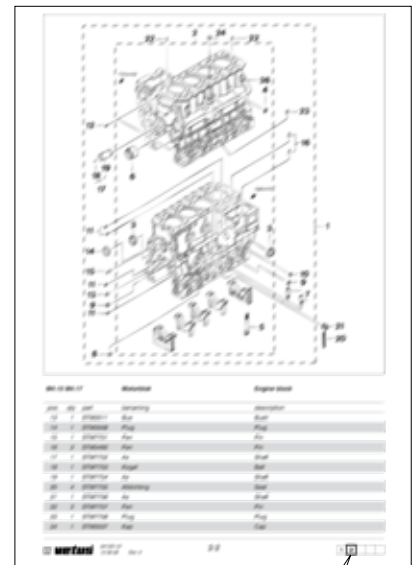
De volledige stuklijst staat op deze pagina.

The full parts list is shown on this page.



De stuklijst is verdeeld over 2 pagina's. Op deze pagina staat het **eerste** deel.

The parts list is spread over 2 pages. On this page the **first** part is shown.



De stuklijst is verdeeld over 2 pagina's. Op deze pagina staat het **tweede** deel.

The parts list is spread over 2 pages. On this page the **second** part is shown.

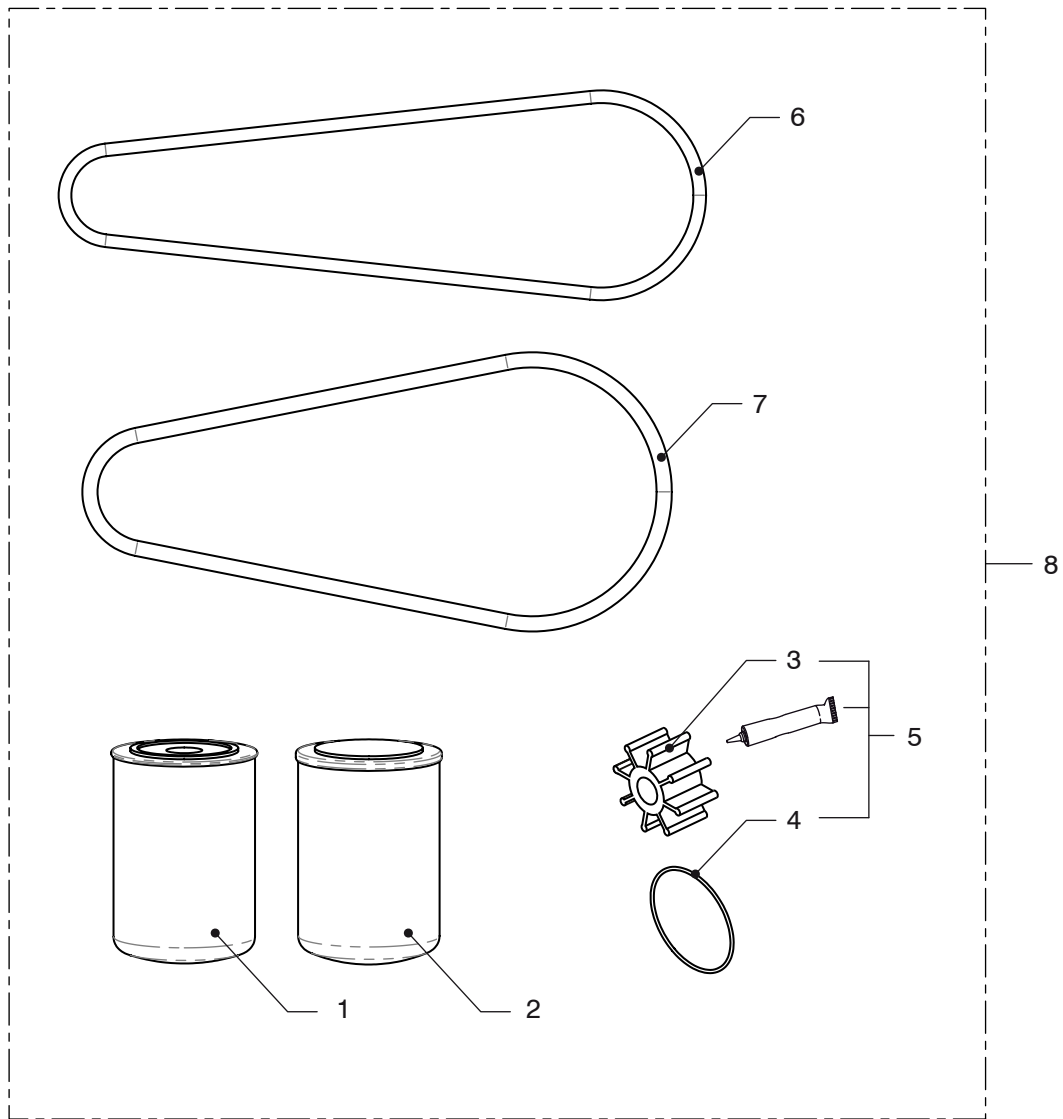
# Inhoud

## Contents

| pag. page | type    |         |         |         | omschrijving               | description            |
|-----------|---------|---------|---------|---------|----------------------------|------------------------|
| 1-1       | VD4.120 | VD4.140 |         |         | Service kit                | Service kit            |
| 1-2       |         |         | VD6.170 | VD6.210 | Service kit                | Service kit            |
| 2-1       | VD4.120 | VD4.140 |         |         | Pakkingset VD4             | Gasket set VD4         |
| 2-2       |         |         | VD6.170 | VD6.210 | Pakkingset VD6             | Gasket set VD6         |
| 2-3       | VD4.120 | VD4.140 | VD6.170 | VD6.210 | Aanzuigpijp                | Oil suction pipe       |
| 2-4       | VD4.120 | VD4.140 | VD6.170 | VD6.210 | Oliekoeler                 | Oil cooler             |
| 2-5       | VD4.120 | VD4.140 | VD6.170 | VD6.210 | Oliekoeler                 | Oil cooler             |
| 2-6       | VD4.120 | VD4.140 | VD6.170 | VD6.210 | Cilinderblok               | Crankcase              |
| 2-7       | VD4.120 | VD4.140 | VD6.170 | VD6.210 | Cilinderblok               | Crankcase              |
| 2-8       | VD4.120 | VD4.140 | VD6.170 | VD6.210 | Voordeksel / Oliepomp      | Front cover / Oil pump |
| 2-9       | VD4.120 | VD4.140 | VD6.170 | VD6.210 | Pijlstok                   | Oil gauge              |
| 2-10      | VD4.120 | VD4.140 | VD6.170 | VD6.210 | Carter ontluchting         | Crankcase breather     |
| 2-11      | VD4.120 | VD4.140 | VD6.170 | VD6.210 | Carterpan                  | Oil pan                |
| 2-12      | VD4.120 | VD4.140 | VD6.170 | VD6.210 | Krukas                     | Crankshaft             |
| 2-13      | VD4.120 | VD4.140 |         |         | V-snaar poelie             | V-belt pulley assembly |
| 2-14      |         |         | VD6.170 | VD6.210 | V-snaar poelie             | V-belt pulley assembly |
| 2-15      | VD4.120 | VD4.140 | VD6.170 | VD6.210 | Vliegwiel                  | Flywheel               |
| 2-16      | VD4.120 | VD4.140 | VD6.170 | VD6.210 | Drijfstang                 | Connecting rod         |
| 2-17      | VD4.120 | VD4.140 | VD6.170 | VD6.210 | Zuiger                     | Piston                 |
| 2-18      | VD4.120 | VD4.140 | VD6.170 | VD6.210 | Cilinderkop                | Cylinder head          |
| 2-19      | VD4.120 | VD4.140 | VD6.170 | VD6.210 | Cilinderkop                | Cylinder head          |
| 2-20      | VD4.120 | VD4.140 |         |         | Kleppendeksel              | Valve mechanism cover  |
| 2-21      |         |         | VD6.170 | VD6.210 | Kleppendeksel              | Valve mechanism cover  |
| 2-22      | VD4.120 | VD4.140 | VD6.170 | VD6.210 | Distributiedeksels         | Gearcase cover         |
| 2-23      | VD4.120 | VD4.140 | VD6.170 | VD6.210 | Nokkenas                   | Camshaft               |
| 2-24      | VD4.120 | VD4.140 | VD6.170 | VD6.210 | Klepaandrijving            | Valve drive            |
| 2-25      | VD4.120 | VD4.140 |         |         | Laadluchtspruitstuk        | Charge air manifold    |
| 2-26      |         |         | VD6.170 | VD6.210 | Laadluchtspruitstuk        | Charge air manifold    |
| 2-27      | VD4.120 | VD4.140 | VD6.170 | VD6.210 | ECU                        | ECU                    |
| 2-28      | VD4.120 | VD4.140 |         |         | Uitlaatspruitstuk          | Exhaust manifold       |
| 2-29      |         |         | VD6.170 | VD6.210 | Uitlaatspruitstuk          | Exhaust manifold       |
| 2-30      | VD4.120 | VD4.140 | VD6.170 | VD6.210 | Hydr. Pomp                 | Hydraulic pump         |
| 2-31      | VD4.120 | VD4.140 | VD6.170 | VD6.210 | Vliegwielhuis              | Flywheel housing       |
| 2-32      | VD4.120 | VD4.140 |         |         | Uitlaat injectiebocht      | Exhaust elbow          |
| 2-33      |         |         | VD6.170 | VD6.210 | Uitlaat injectiebocht      | Exhaust elbow          |
| 2-34      | VD4.120 | VD4.140 |         |         | Luchtinlaatbocht           | Air intake elbow       |
| 2-35      |         |         | VD6.170 | VD6.210 | Luchtinlaatbocht           | Air intake elbow       |
| 2-36      | VD4.120 | VD4.140 | VD6.170 | VD6.210 | Turbo compressor           | Turbocharger           |
| 2-37      | VD4.120 | VD4.140 | VD6.170 | VD6.210 | Afschermkap                | Protection cover       |
| 2-38      | VD4.120 | VD4.140 |         |         | Electrische olie aftappomp | Elec. oil pump         |
| 2-39      |         |         | VD6.170 | VD6.210 | Electrische olie aftappomp | Elec. oil pump         |

| pag.<br>page | type    |         |         |         | omschrijving                     | description                          |
|--------------|---------|---------|---------|---------|----------------------------------|--------------------------------------|
| 2-40         | VD4.120 | VD4.140 | VD6.170 | VD6.210 | Motorsteunen                     | Engine supports                      |
| 2-41         | VD4.120 | VD4.140 |         |         | Turbo olieleidingen              | Turbo oil lines                      |
| 2-42         |         |         | VD6.170 | VD6.210 | Turbo olieleiding                | Turbo oil line                       |
| 2-43         | VD4.120 | VD4.140 |         |         | Uitlaatisolatie + turbo isolatie | Exhaust isolation + turbo insulation |
| 2-44         | VD4.120 | VD4.140 |         |         | Uitlaatisolatie + turbo isolatie | Exhaust isolation + turbo insulation |
| 2-45         |         |         | VD6.170 | VD6.210 | Uitlaatisolatie + turbo isolatie | Exhaust isolation + turbo insulation |
| 2-46         | VD4.120 | VD4.140 |         |         | Luchtfilter                      | Air cleaner                          |
| 2-47         |         |         | VD6.170 | VD6.210 | Luchtfilter                      | Air cleaner                          |
| 3-1          | VD4.120 | VD4.140 | VD6.170 | VD6.210 | Warmtewisselaar assy             | Heat exchanger assy                  |
| 3-2          | VD4.120 | VD4.140 |         |         | Warmtewisselaar                  | Heat exchanger                       |
| 3-3          |         |         | VD6.170 | VD6.210 | Warmtewisselaar                  | Heat exchanger                       |
| 3-4          | VD4.120 | VD4.140 |         |         | Laadluchtkoeler assy             | After cooler assy                    |
| 3-5          |         |         | VD6.170 | VD6.210 | Laadluchtkoeler assy             | After cooler assy                    |
| 3-6          | VD4.120 | VD4.140 |         |         | Laadlucht-koeler                 | After cooler                         |
| 3-7          | VD4.120 | VD4.140 |         |         | Laadlucht-koeler                 | After cooler                         |
| 3-8          |         |         | VD6.170 | VD6.210 | Laadlucht-koeler                 | After cooler                         |
| 3-9          |         |         | VD6.170 | VD6.210 | Laadlucht-koeler                 | After cooler                         |
| 3-10         | VD4.120 | VD4.140 | VD6.170 | VD6.210 | Circulatiepomp                   | Coolant pump                         |
| 3-11         | VD4.120 | VD4.140 | VD6.170 | VD6.210 | Thermostaat                      | Thermostat                           |
| 3-12         | VD4.120 | VD4.140 |         |         | Zeewaterpomp SPX                 | Seawater pump SPX                    |
| 3-13         |         |         | VD6.170 | VD6.210 | Zeewaterpomp SPX                 | Seawater pump SPX                    |
| 3-14         | VD4.120 | VD4.140 |         |         | Bovenkap                         | Top cover                            |
| 3-15         |         |         | VD6.170 | VD6.210 | Bovenkap                         | Top cover                            |
| 3-16         | VD4.120 | VD4.140 |         |         | Buitenwater koelsysteem          | Raw water cooling system             |
| 3-17         | VD4.120 | VD4.140 |         |         | Buitenwater koelsysteem          | Raw water cooling system             |
| 3-18         |         |         | VD6.170 | VD6.210 | Buitenwater koelsysteem          | Raw water cooling system             |
| 3-19         |         |         | VD6.170 | VD6.210 | Buitenwater koelsysteem          | Raw water cooling system             |
| 3-20         | VD4.120 | VD4.140 |         |         | Intern koelsysteem               | Internal cooling system              |
| 3-21         |         |         | VD6.170 | VD6.210 | Intern koelsysteem               | Internal cooling system              |
| 4-1          | VD4.120 | VD4.140 | VD6.170 | VD6.210 | Elektrische uitrusting           | Electrical equipment                 |
| 4-2          | VD4.120 | VD4.140 | VD6.170 | VD6.210 | Draadboom                        | Cable harnes                         |
| 4-3          | VD4.120 | VD4.140 | VD6.170 | VD6.210 | Bedrading ECU                    | Wiring ECU                           |
| 4-4          | VD4.120 | VD4.140 | VD6.170 | VD6.210 | Motorbedrading                   | Engine wiring                        |
| 4-5          | VD4.120 | VD4.140 | VD6.170 | VD6.210 | Bedradings assy                  | Wiring assy                          |
| 4-6          | VD4.120 | VD4.140 | VD6.170 | VD6.210 | Engine Control Unit assy         | Engine Control Unit assy             |
| 4-7          | VD4.120 | VD4.140 | VD6.170 | VD6.210 | Dynamo 12V-160A 1p               | Alternator 12V-160A 1p               |
| 4-8          | VD4.120 | VD4.140 | VD6.170 | VD6.210 | Dynamo 12V-160A 1p               | Alternator 12V-160A 1p               |
| 4-9          | VD4.120 | VD4.140 | VD6.170 | VD6.210 | Dynamo 24V-60A 1p                | Alternator 24V-60A 1p                |
| 4-10         | VD4.120 | VD4.140 | VD6.170 | VD6.210 | Dynamo 24V-60A 1p                | Alternator 24V-60A 1p                |
| 4-11         | VD4.120 | VD4.140 | VD6.170 | VD6.210 | Instrumenten paneel 12V          | Instrument panel 12V                 |
| 4-12         | VD4.120 | VD4.140 | VD6.170 | VD6.210 | Instrumenten paneel 24V          | Instrument panel 24V                 |
| 4-13         | VD4.120 | VD4.140 | VD6.170 | VD6.210 | Motorbedrading 12V-1p            | Engine wiring 12V-1p                 |
| 4-14         | VD4.120 | VD4.140 | VD6.170 | VD6.210 | Motorbedrading 12V-2p            | Engine wiring 12V-2p                 |
| 4-15         | VD4.120 | VD4.140 | VD6.170 | VD6.210 | Motorbedrading 24V-1p            | Engine wiring 24V-1p                 |

| <b>pag.<br/>page</b> | <b>type</b> |         |         |         | <b>omschrijving</b>                             | <b>description</b>                                       |
|----------------------|-------------|---------|---------|---------|---|--|
| 4-16                 | VD4.120     | VD4.140 | VD6.170 | VD6.210 | Motorbedrading 24V-2p                           | Engine wiring 24V-2p                                     |
| 5-1                  | VD4.120     | VD4.140 | VD6.170 | VD6.210 | Montagedelen keerkoppeling                      | Mounting parts gearbox                                   |
| 5-2                  | VD4.120     | VD4.140 | VD6.170 | VD6.210 | Montagedelen keerkoppeling                      | Mounting parts gearbox                                   |
| 5-3                  | VD4.120     | VD4.140 | VD6.170 | VD6.210 | Montagedelen keerkoppeling                      | Mounting parts gearbox                                   |
| 5-4                  | VD4.120     | VD4.140 | VD6.170 | VD6.210 | Bediening keerkoppeling                         | Controls gearbox   |
| 6-1                  | VD4.120     | VD4.140 | VD6.170 | VD6.210 | Brandstofinjectiepomp                           | Fuel injection pump                                      |
| 6-2                  | VD4.120     | VD4.140 | VD6.170 | VD6.210 | Brandstofinjector                               | Fuel injector  |
| 6-3                  | VD4.120     | VD4.140 | VD6.170 | VD6.210 | Brandstofpomp                                   | Fuel pump  |
| 6-4                  | VD4.120     | VD4.140 | VD6.170 | VD6.210 | Brandstofleiding                                | Fuel line  |
| 6-5                  | VD4.120     | VD4.140 | VD6.170 | VD6.210 | Retour brandstofleiding                         | Return fuel line   |
| 6-6                  | VD4.120     | VD4.140 |         |         | Brandstofslang                                  | Fuel hose  |
| 6-7                  |             |         | VD6.170 | VD6.210 | Brandstofslangen                                | Fuel hoses   |
| 6-8                  |             |         | VD6.170 | VD6.210 | Brandstofslangen                                | Fuel hoses   |
| 6-9                  |             |         | VD6.170 | VD6.210 | Brandstoffilter                                 | Fuel filter  |
| 6-10                 | VD4.120     | VD4.140 | VD6.170 | VD6.210 | Water separator/filterset                       | Water separator/filterkit                                |
| 10-1                 | VD4.120     | VD4.140 | VD6.170 | VD6.210 | Krachtafnemer A                                 | Power take-off A   |
| 10-2                 | VD4.120     | VD4.140 | VD6.170 | VD6.210 | Potentiometer assy                              | Potentiometer assy                                       |
| 10-3                 | VD4.120     | VD4.140 |         |         | Beluchter                                       | Airvent  |
| 10-4                 |             |         | VD6.170 | VD6.210 | Beluchter                                       | Airvent  |
| 10-5                 | VD4.120     | VD4.140 | VD6.170 | VD6.210 | Boiler aansluiting zonder afsluiters            | Boiler connection without valves                         |
| 10-6                 | VD4.120     | VD4.140 | VD6.170 | VD6.210 | Boiler aansluiting met afsluiters               | Boiler connection with valves                            |
| 10-7                 | VD4.120     | VD4.140 |         |         | Tweede dynamo Whisper power 24V-75A             | Second alternator Whisper power 24V-75A                  |
| 10-8                 |             |         | VD6.170 | VD6.210 | Tweede dynamo Whisper power 24V-75A             | Second alternator Whisper power 24V-75A                  |
| 10-9                 | VD4.120     | VD4.140 | VD6.170 | VD6.210 | Afschermkap tweede dynamo Whisper power 24V-75A | Protection cover second alternator Whisper Power 24V-75A |
| 10-10                | VD4.120     | VD4.140 | VD6.170 | VD6.210 | Stekker gasbediening                            | Connector throttle                                       |
| 10-11                | VD4.120     | VD4.140 | VD6.170 | VD6.210 | Vulling   | Spacer   |
|                      |             |         |         |         | Register  | Index  |

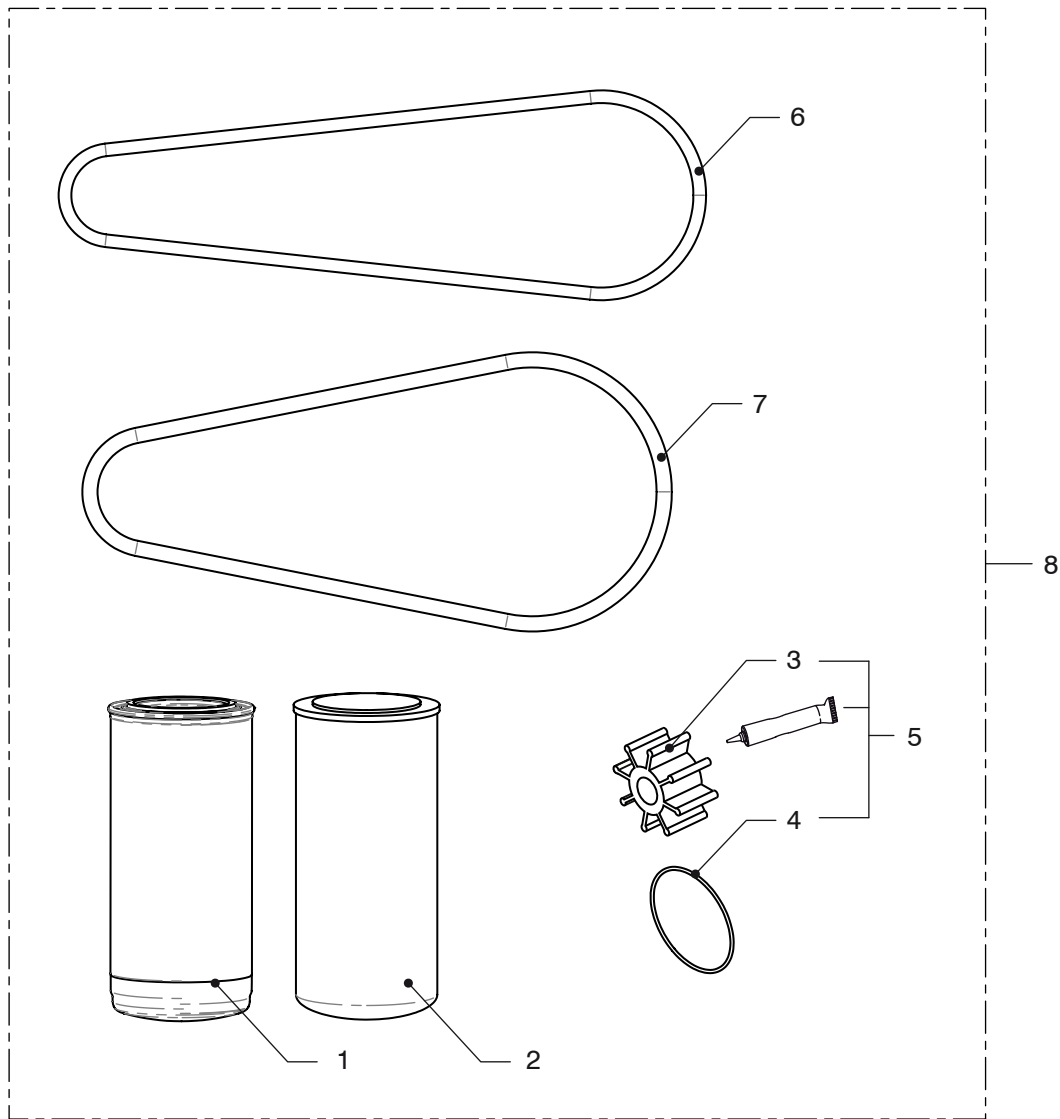


**VD4.120 VD4.140 Service kit**

**Service kit**

| pos. | qty | part    | benaming                     | description          |
|------|-----|---------|------------------------------|----------------------|
| 1    | 1   | 17-8512 | Oliefilter                   | Oilfilter            |
| 2    | 1   | 17-8511 | Brandstoffilter              | Fuel filter          |
| 3    | 1   | DM10007 | Impeller                     | Impeller             |
| 4    | 1   | DM10013 | O-ring                       | O-ring               |
| 5    | 1   | DM10021 | Impeller+O-ring              | impeller+O-ring      |
| 6    | 1   | VD20723 | V-snaar brandstof opvoerpomp | V-belt Fuel liftpump |
| 7    | 1   | 16-4258 | V-snaar dynamo               | V-belt alternator    |
| 8    | 1   | STM9568 | Service kit VD4              | Service kit VD4      |

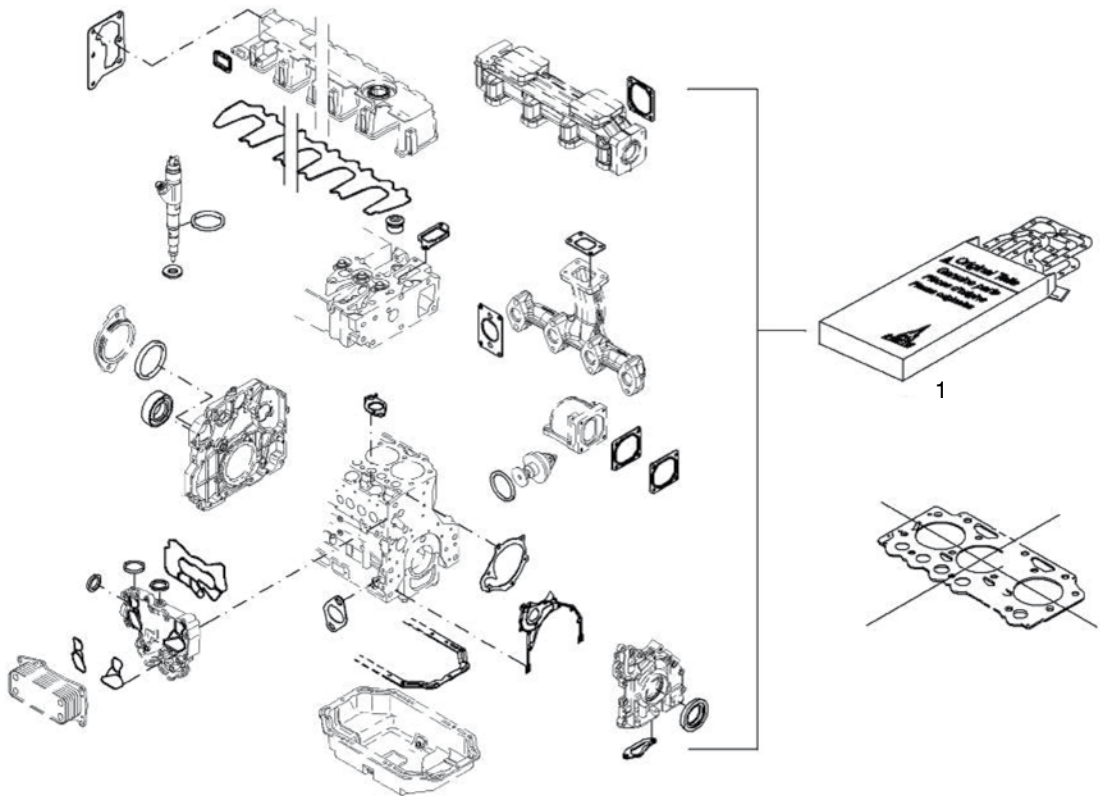
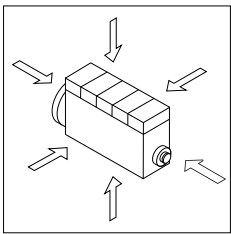




**VD6.170 VD6.210 Service kit**

**Service kit**

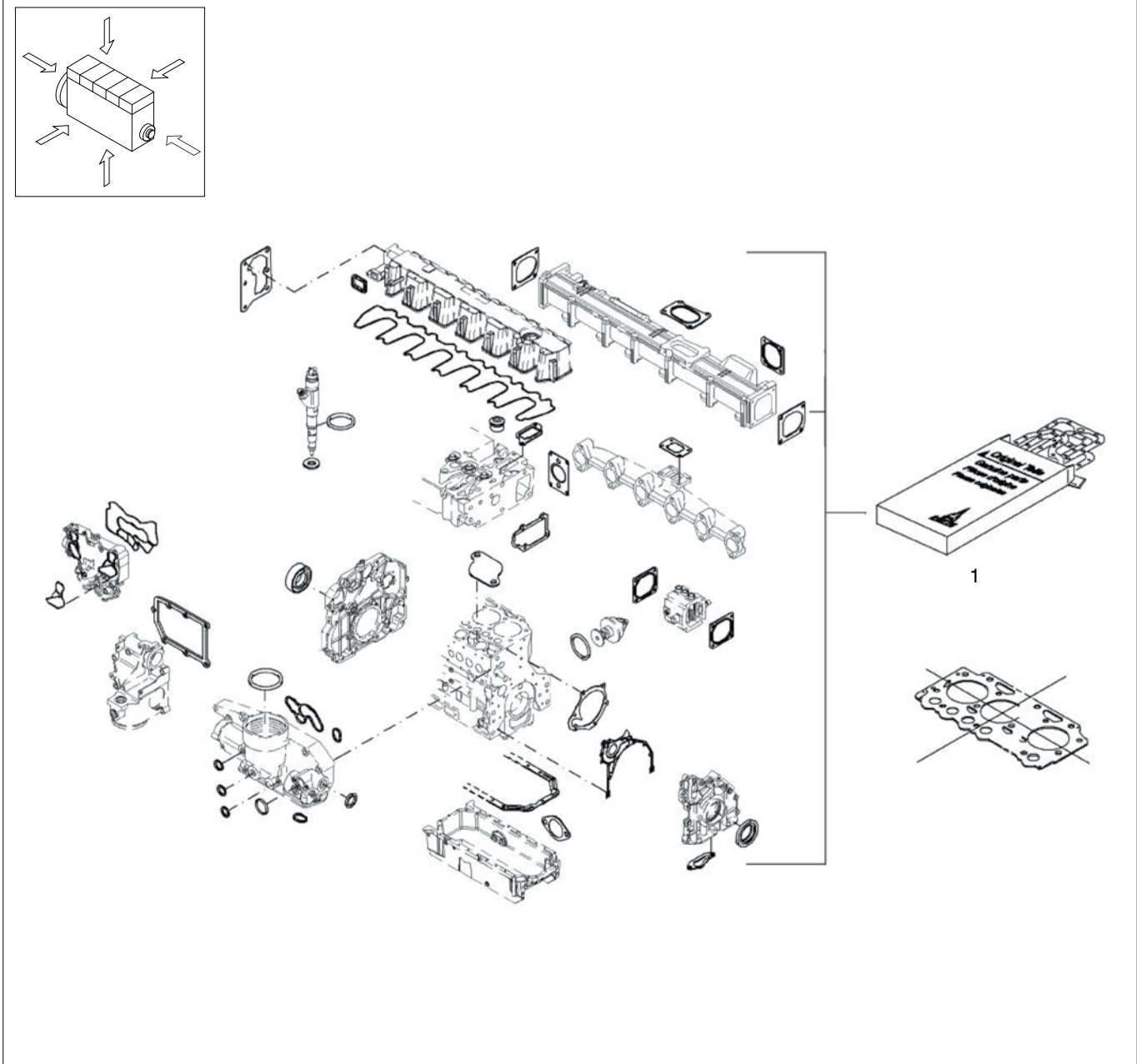
| pos. | qty | part    | benaming                     | description          |
|------|-----|---------|------------------------------|----------------------|
| 1    | 1   | 17-8508 | Oliefilter                   | Oilfilter            |
| 2    | 1   | 17-8509 | Brandstoffilter              | Fuel filter          |
| 3    | 1   | DM10007 | Impeller                     | Impeller             |
| 4    | 1   | DM10013 | O-ring                       | O-ring               |
| 5    | 1   | DM10021 | Impeller+O-ring              | impeller+O-ring      |
| 6    | 1   | VD20723 | V-snaar brandstof opvoerpomp | V-belt Fuel liftpump |
| 7    | 1   | 16-4258 | V-snaar dynamo               | V-belt alternator    |
| 8    | 1   | STM9569 | Service kit VD6              | Service kit VD6      |



**VD4.120 VD4.140 Pakkingset VD4**

**Gasket set VD4**

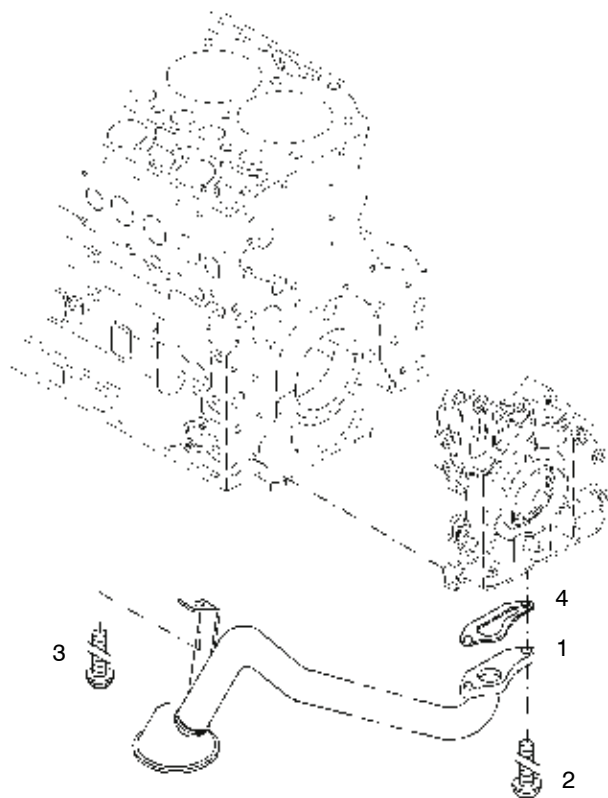
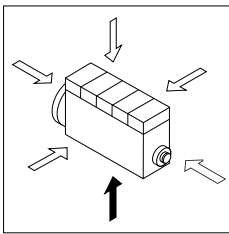
| pos. | qty | part     | benaming                               | description                            |
|------|-----|----------|--|--|
| 1    | 1   | VP000116 | Pakking set voor VD4 zonder koppakking | Gasket set for VD4 without head gasket |
|      |     |          |  |  |
|      |     |          |  |  |
|      |     |          |  |  |
|      |     |          |  |  |
|      |     |          |  |  |
|      |     |          |  |  |
|      |     |          |  |  |
|      |     |          |  |  |
|      |     |          |  |  |
|      |     |          |  |  |



**VD6.170 VD6.210 Pakkingset VD6**

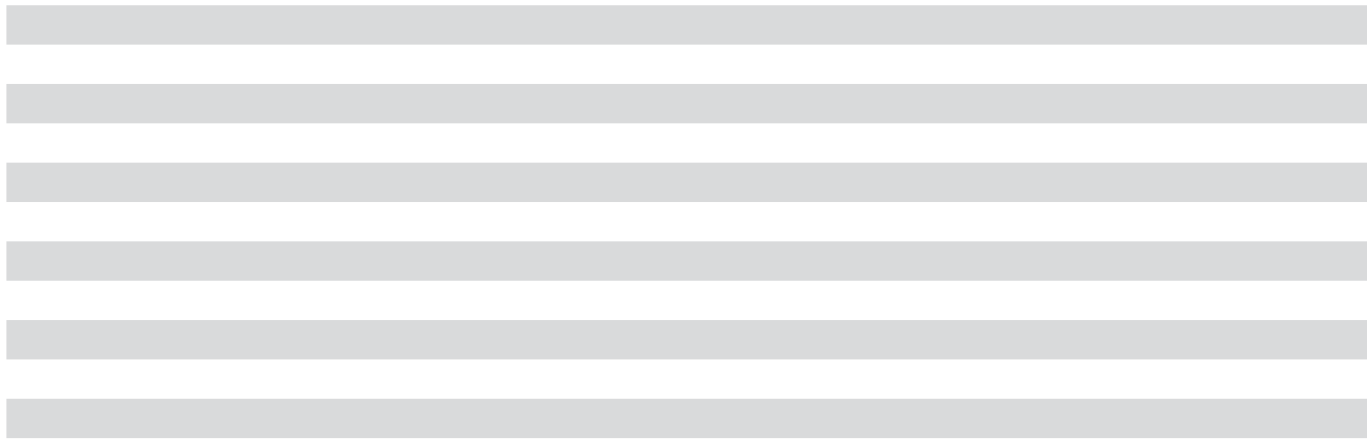
**Gasket set VD6**

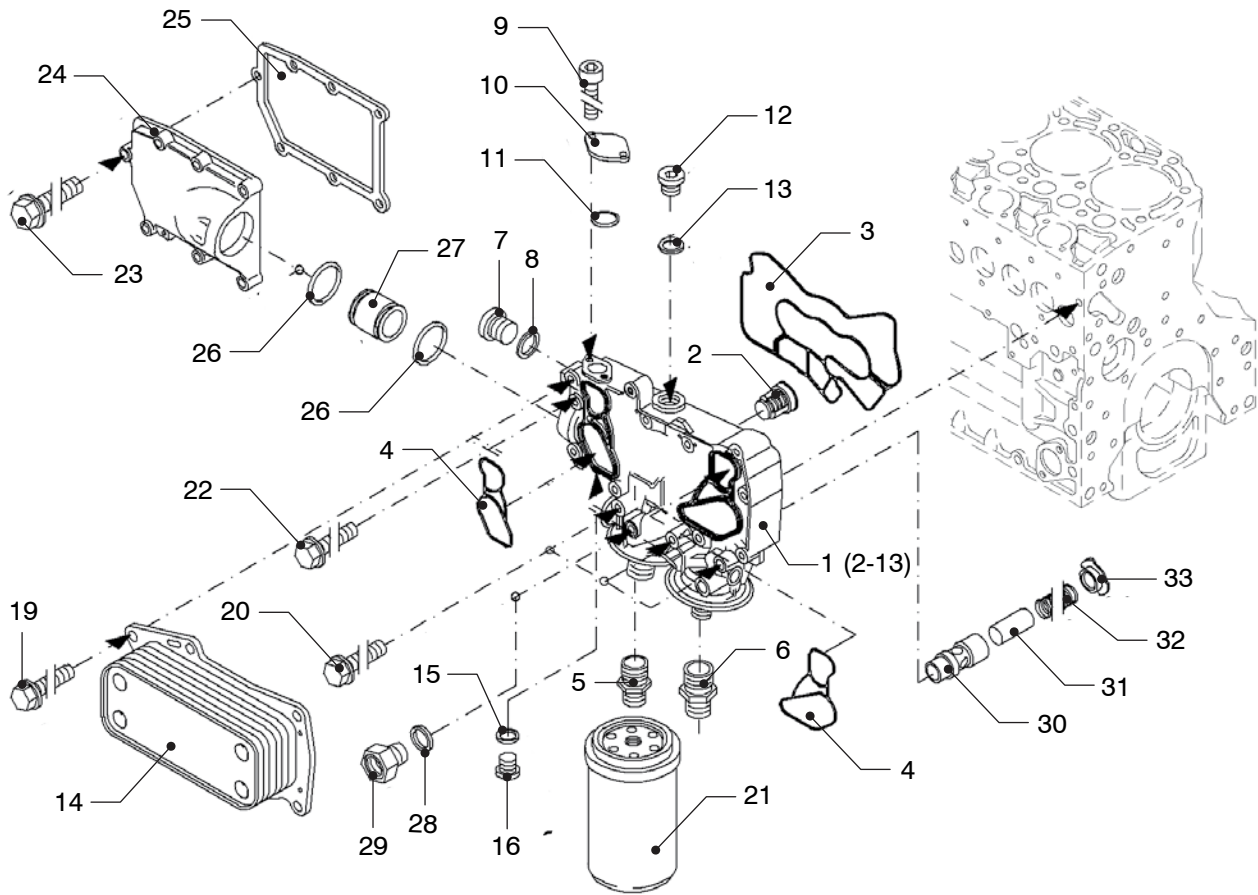
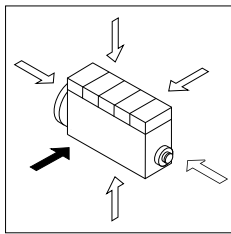
| pos. | qty | part    | benaming   | description |
|------|-----|---------|------------|-------------|
| 1    | 1   | DZ90002 | Pakkingset | Gasket set  |
|      |     |         |            |             |
|      |     |         |            |             |
|      |     |         |            |             |
|      |     |         |            |             |
|      |     |         |            |             |
|      |     |         |            |             |
|      |     |         |            |             |
|      |     |         |            |             |
|      |     |         |            |             |
|      |     |         |            |             |



|                |                |                    |                         |
|----------------|----------------|--------------------|-------------------------|
| <b>VD4.120</b> | <b>VD4.140</b> | <b>Aanzuigpijp</b> | <b>Oil suction pipe</b> |
| <b>VD6.170</b> | <b>VD6.210</b> |                    |                         |

| pos. | qty | part    | benaming    | description      |
|------|-----|---------|-------------|------------------|
| 1    | 1   | DZ16001 | Aanzuigpijp | Oil suction pipe |
| 2    | 2   | DZ16002 | Zeskantbout | Hexagon bolt     |
| 3    | 1   | DZ16003 | Zeskantbout | Hexagon bolt     |
| 4    | 1   | DZ16004 | Pakking     | Gasket           |



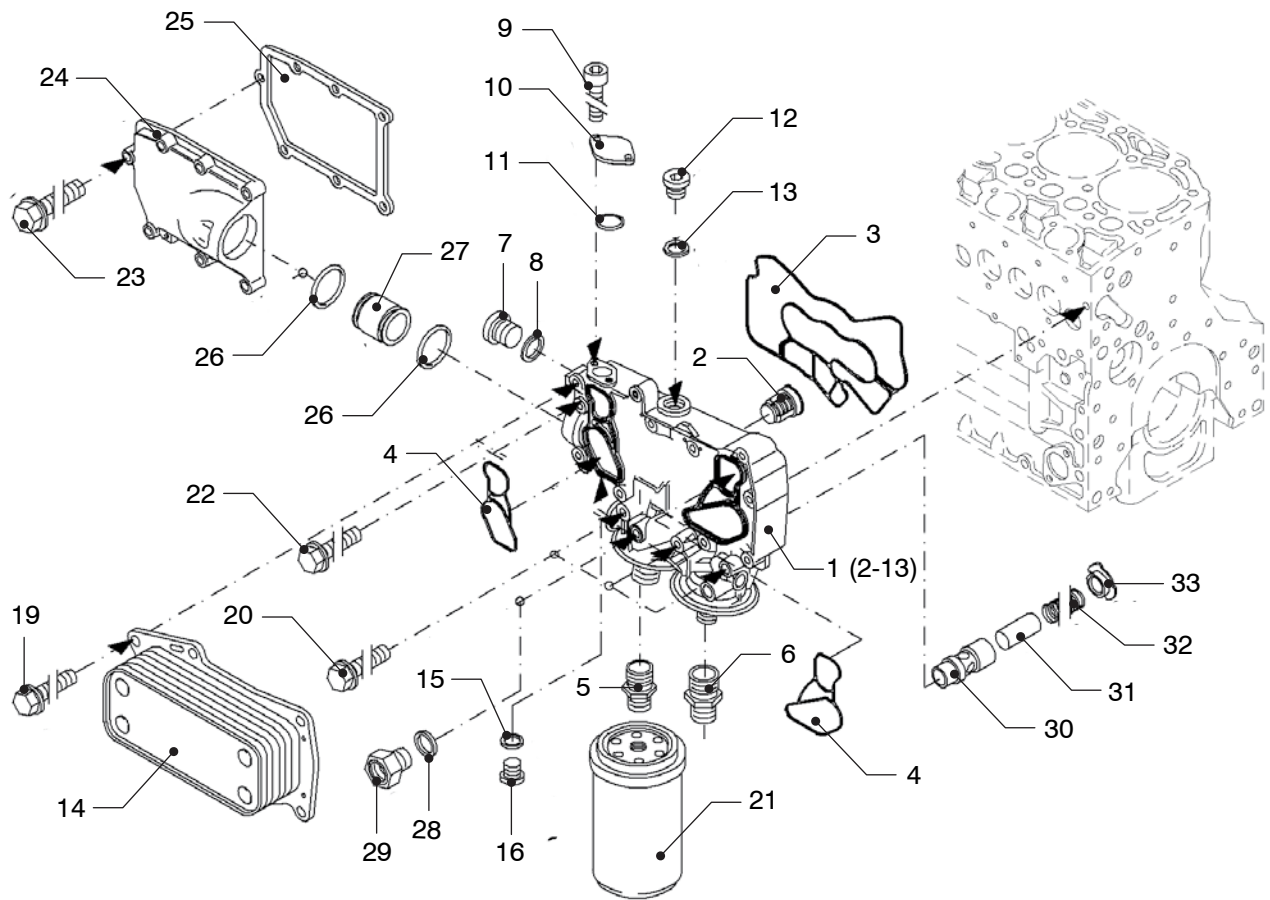
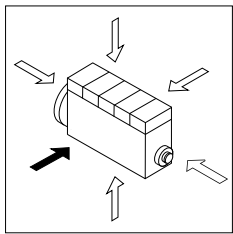


**VD4.120** **VD4.140**  
**VD6.170** **VD6.210**

**Oliekoeler**

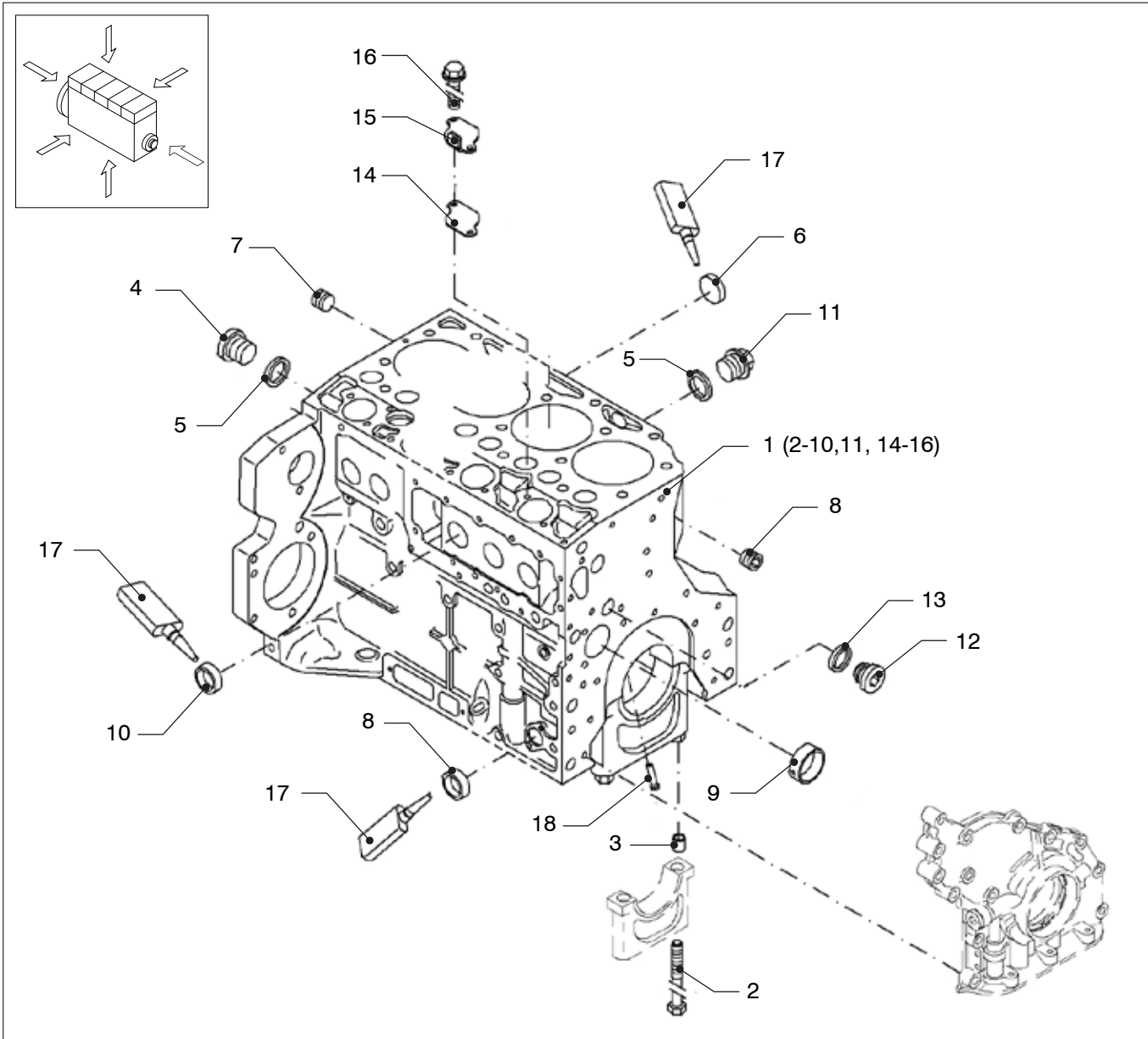
**Oil cooler**

| pos. | qty | part    | benaming       | description       |
|------|-----|---------|----------------|-------------------|
| 1    | 1   | DZ15001 | Oliekoelerhuis | Oil cooler box    |
| 2    | 1   | DZ15002 | Omloopdeel     | By-pass component |
| 3    | 1   | DZ15003 | Pakking        | Gasket            |
| 4    | 2   | DZ15004 | Pakking        | Gasket            |
| 5    | 1   | DZ15005 | Draadbus       | Threaded bush     |
| 6    | 1   | DZ15006 | Verloop        | Socket/adaptor    |
| 7    | 1   | DZ15007 | Plug           | Screw plug        |
| 8    | 1   | DZ15008 | Afdichtring    | Sealing ring      |
| 9    | 2   | DZ15009 | Zeskantbout    | Hexagon bolt      |
| 10   | 1   | DZ15010 | Blind flens    | Blank flange      |
| 11   | 1   | DZ15011 | O-Ring         | O-seal            |
| 12   | 1   | DZ15012 | Plug           | Screw plug        |
| 13   | 1   | DZ15013 | Afdichtring    | Sealing ring      |
| 14   | 1   | DZ15014 | Oliekoeler     | Oil cooler        |
| 15   | 1   | DZ15015 | Afdichtring    | Sealing ring      |
| 16   | 1   | DZ15016 | Plug           | Screw plug        |



|                |                |                   |                   |
|----------------|----------------|-------------------|-------------------|
| <b>VD4.120</b> | <b>VD4.140</b> | <b>Oliekoeler</b> | <b>Oil cooler</b> |
| <b>VD6.170</b> | <b>VD6.210</b> |                   |                   |

| pos. | qty | part    | benaming              | description   |                          |
|------|-----|---------|-----------------------|---------------|--------------------------|
| 19   | 7   | DZ15019 | Zeskantbout           | Hexagon bolt  |                          |
| 20   | 3   | DZ15020 | Zeskantbout           | Hexagon bolt  |                          |
| 21   | 1   | 17-8508 | Oliefilter            | VD6           | Spin-on oil filter VD6   |
|      | 1   | 17-8512 | Oliefilter            | VD4           | Spin-on oil filter VD4   |
| 22   | 5   | DZ15022 | Zeskantbout           | Hexagon bolt  |                          |
| 23   | 7   | DZ15023 | Zeskantbout           | VD6           | Hexagon bolt VD6         |
| 24   | 1   | DZ15024 | Deksel oliekoelerhuis | VD6           | Cover oil cooler box VD6 |
| 25   | 1   | DZ15025 | Pakking               | VD6           | Gasket VD6               |
| 26   | 2   | DZ15026 | O-Ring                | VD6           | O-seal VD6               |
| 27   | 1   | DZ15027 | Plug                  | VD6           | Plug VD6                 |
| 28   | 1   | DZ15028 | Afdichtring           | Sealing ring  |                          |
| 29   | 1   | DZ15029 | Plug                  | Screw plug    |                          |
| 30   | 1   | DZ15041 | Klepzitting           | Valve seat    |                          |
| 31   | 1   | DZ15042 | Klepplunjer           | Valve plunger |                          |
| 32   | 1   | DZ15043 | Veer                  | Spring        |                          |
| 33   | 1   | DZ15044 | Klep-kap              | Valve head    |                          |



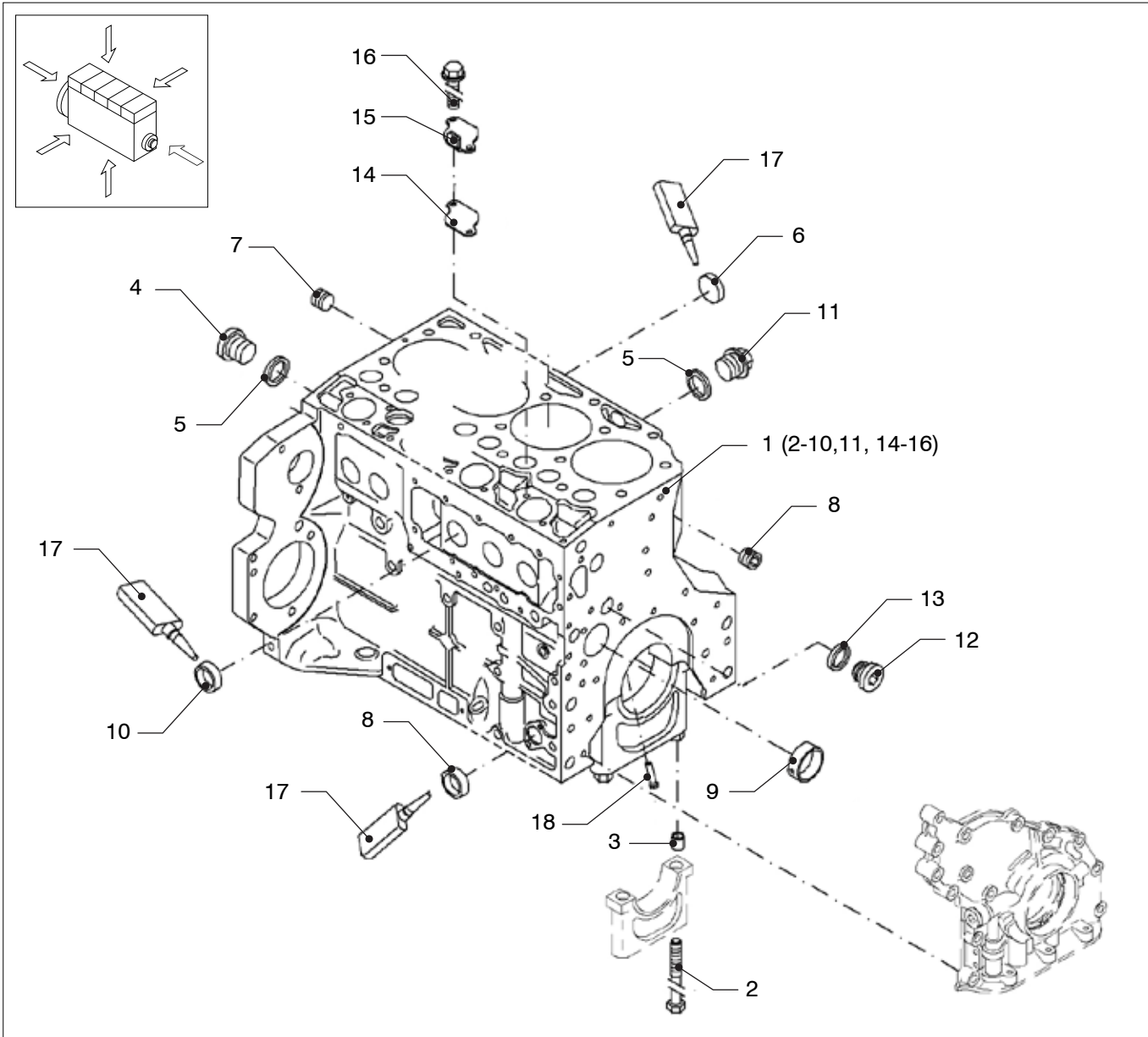
**VD4.120**  
**VD6.170**

**VD4.140**  
**VD6.210**

**Cilinderblok**

**Crankcase**

| pos. | qty | part    | benaming    |     | description        |     |
|------|-----|---------|-------------|-----|--------------------|-----|
| 1    | 1   | DZ01001 | Carter      | VD4 | Crankcase          | VD4 |
|      | 1   | DZ01001 | Carter      | VD6 | Crankcase          | VD6 |
| 2    | 10  | DZ01002 | Zeskantbout | VD4 | Hexagon bolt       | VD4 |
|      | 14  | DZ01002 | Zeskantbout | VD6 | Hexagon bolt       | VD6 |
| 3    | 10  | DZ01003 | Bus         | VD4 | Bush               | VD4 |
|      | 14  | DZ01003 | Bus         | VD6 | Bush               | VD6 |
| 4    | 1   | DZ01004 | Plug        |     | Screw plug         |     |
| 5    | 3   | DZ01005 | Afdichtring | VD4 | Sealing ring       | VD4 |
| 6    | 4   | DZ01006 | Deksel      | VD4 | Cover              | VD4 |
|      | 6   | DZ01006 | Deksel      | VD6 | Cover              | VD6 |
| 7    | 1   | DZ01008 | Plug        |     | screw plug         |     |
| 8    | 1   | DZ01009 | Deksel      |     | Cover              |     |
| 9    | 4   | DZ01010 | Lagerbus    | VD4 | wrapped bear. Bush | VD4 |
|      | 6   | DZ01010 | Lagerbus    | VD6 | wrapped bear. Bush | VD6 |
| 10   | 6   | DZ01012 | Deksel      | VD4 | Cover              | VD4 |
|      | 9   | DZ01012 | Deksel      | VD6 | Cover              | VD6 |
| 11   | 2   | DZ01014 | Zeskantbout | VD4 | Hexagon bolt       | VD4 |
| 12   | 1   | DZ01016 | Plug        |     | Screw plug         |     |



**VD4.120**  
**VD6.170**

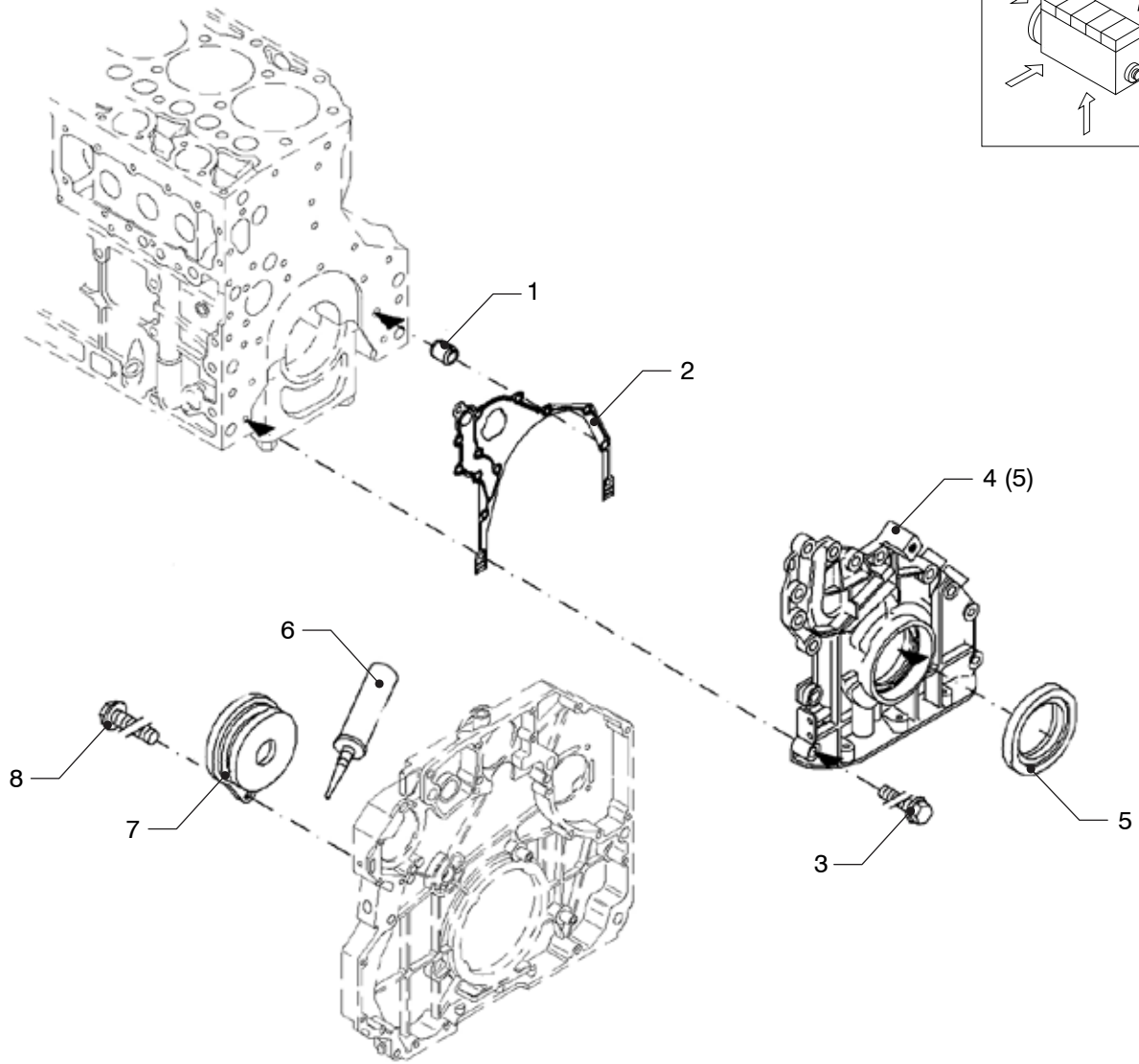
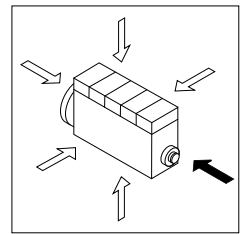
**VD4.140**  
**VD6.210**

**Cilinderblok**

**Crankcase**

| pos. | qty | part    | benaming           | description        |
|------|-----|---------|--------------------|--------------------|
| 13   | 1   | DZ01017 | Afdichtring        | Sealing ring       |
| 14   | 1   | DZ01024 | Pakking            | Gasket             |
| 15   | 1   | DZ01025 | Deksel             | Cover              |
| 16   | 2   | DZ01026 | Zeskantbout        | Hexagon bolt       |
| 17   | 1   | DZ01027 | Borgmiddel         | Safety/lock. agent |
| 18   | 1   | DZ01028 | Zuigerkoelsproeier | Piston cool.nozzle |



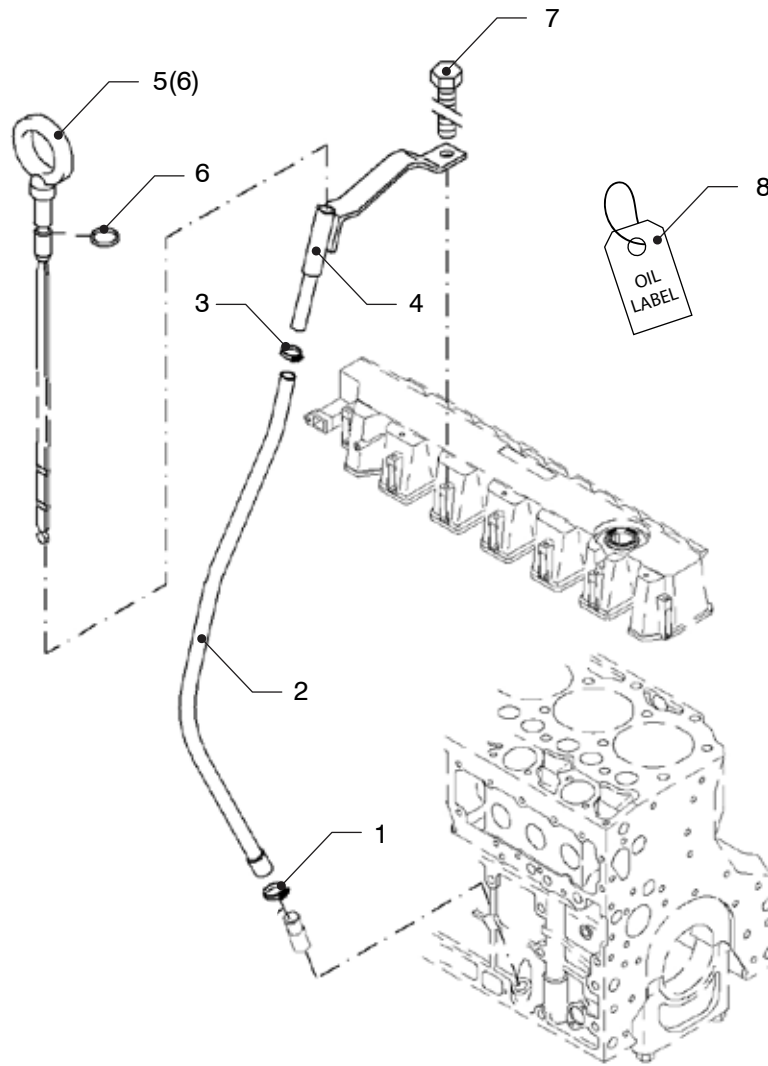
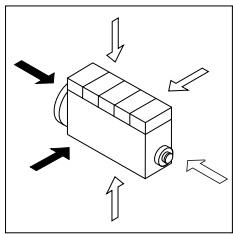


**VD4.120** **VD4.140**  
**VD6.170** **VD6.210**

**Voordeksel / Oliepomp**

**Front cover / Oil pump**

| pos. | qty | part    | benaming            | description        |
|------|-----|---------|---------------------|--------------------|
| 1    | 1   | DZ01040 | Klembus             | Clamping bush      |
| 2    | 1   | DZ01041 | Pakking             | Gasket             |
| 3    | 12  | DZ01042 | Zeskantbout         | Hexagon bolt       |
| 4    | 1   | DZ01043 | Voordeksel oliepomp | Frontcover-oilpump |
| 5    | 1   | DZ01044 | Keerring            | Lip seal           |
| 6    | 1   | DZ01088 | Montagepasta        | Mounting device    |
| 7    | 1   | DZ01090 | Deksel              | Cover              |
| 8    | 2   | DZ01026 | Zeskantbout         | Hexagon bolt       |

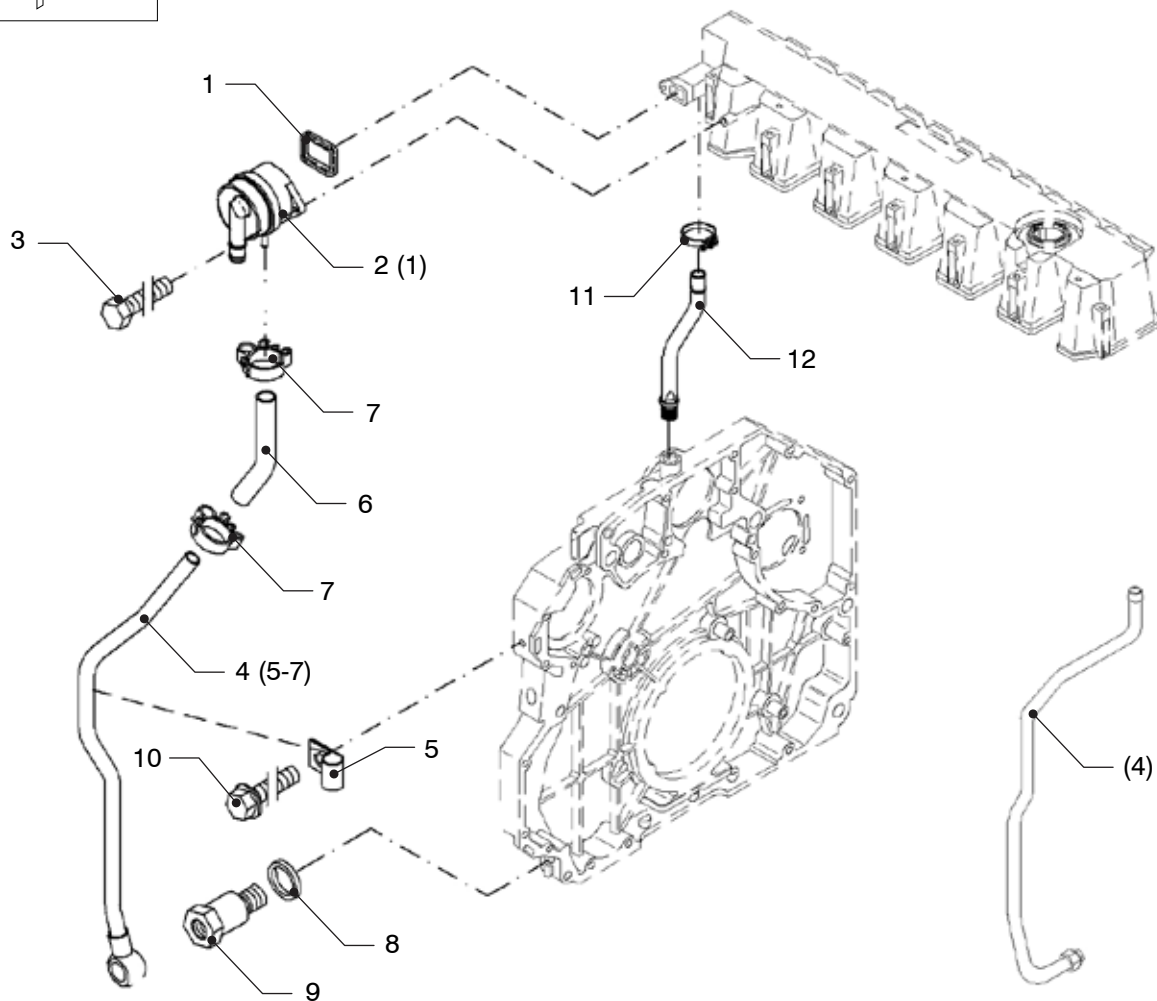
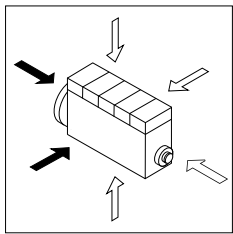


**VD4.120**   **VD4.140**  
**VD6.170**   **VD6.210**

**Pijlstok**

**Oil gauge**

| pos. | qty | part    | benaming    | description  |
|------|-----|---------|-------------|--------------|
| 1    | 1   | DZ01050 | Slangklem   | Hose clip    |
| 2    | 1   | DZ01051 | Geleidebus  | Guide tube   |
| 3    | 1   | DZ01052 | Slangklem   | Hose clip    |
| 4    | 1   | DZ01053 | Beugel      | Bracket      |
| 5    | 1   | DZ01054 | Peilstok    | Dipstick     |
| 6    | 1   | DZ01055 | O-Ring      | O-seal       |
| 7    | 1   | DZ01097 | Zeskantbout | Hexagon bolt |
| 8    | 1   | 365199  | Olie label  | Oil label    |

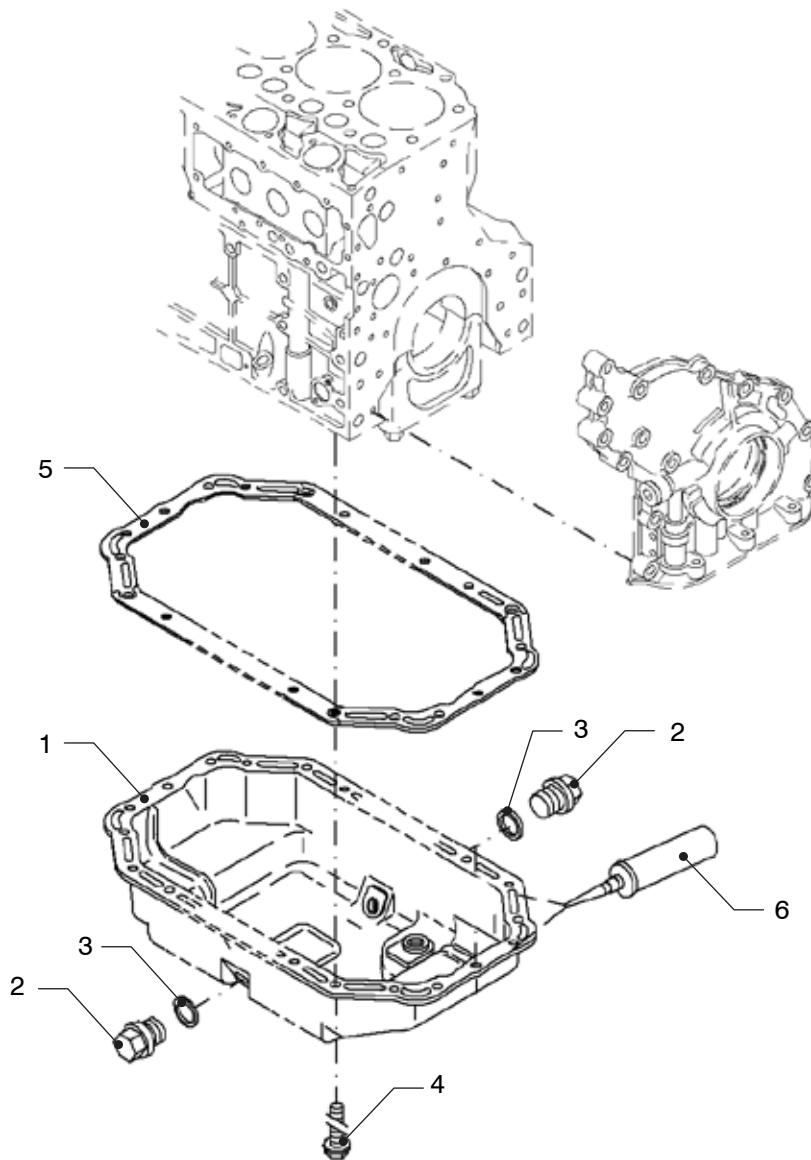
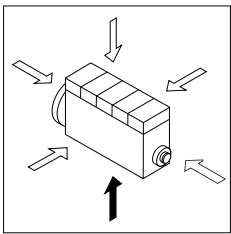


**VD4.120**   **VD4.140**  
**VD6.170**   **VD6.210**

**Carter ontluchting**

**Crankcase breather**

| pos. | qty | part    | benaming           | description       |
|------|-----|---------|--------------------|-------------------|
| 1    | 1   | DZ01063 | Pakking            | Gasket            |
| 2    | 1   | DZ01064 | Carterventilatie   | Crankcase breath  |
| 3    | 2   | DZ01065 | Zeskantbout        | Hexagon bolt      |
| 4    | 1   | DZ01066 | Olie retourleiding | Oil return line   |
| 5    | 1   | DZ01069 | Leidingklem        | Pipe clamp        |
| 6    | 1   | DZ01070 | Rubberslang        | Rubber hose       |
| 7    | 1   | DZ01071 | Slangklem          | Hose clip         |
| 8    | 1   | DZ01072 | Afdichtring        | Sealing ring      |
| 9    | 1   | DZ01073 | Terugslagklep      | Anti-drain valve  |
| 10   | 1   | DZ01074 | Zeskantbout        | Hexagon bolt      |
| 11   | 1   | DZ01075 | Slangklem          | Spring band clamp |
| 12   | 1   | DZ01084 | Olie-retourleiding | Oil return line   |

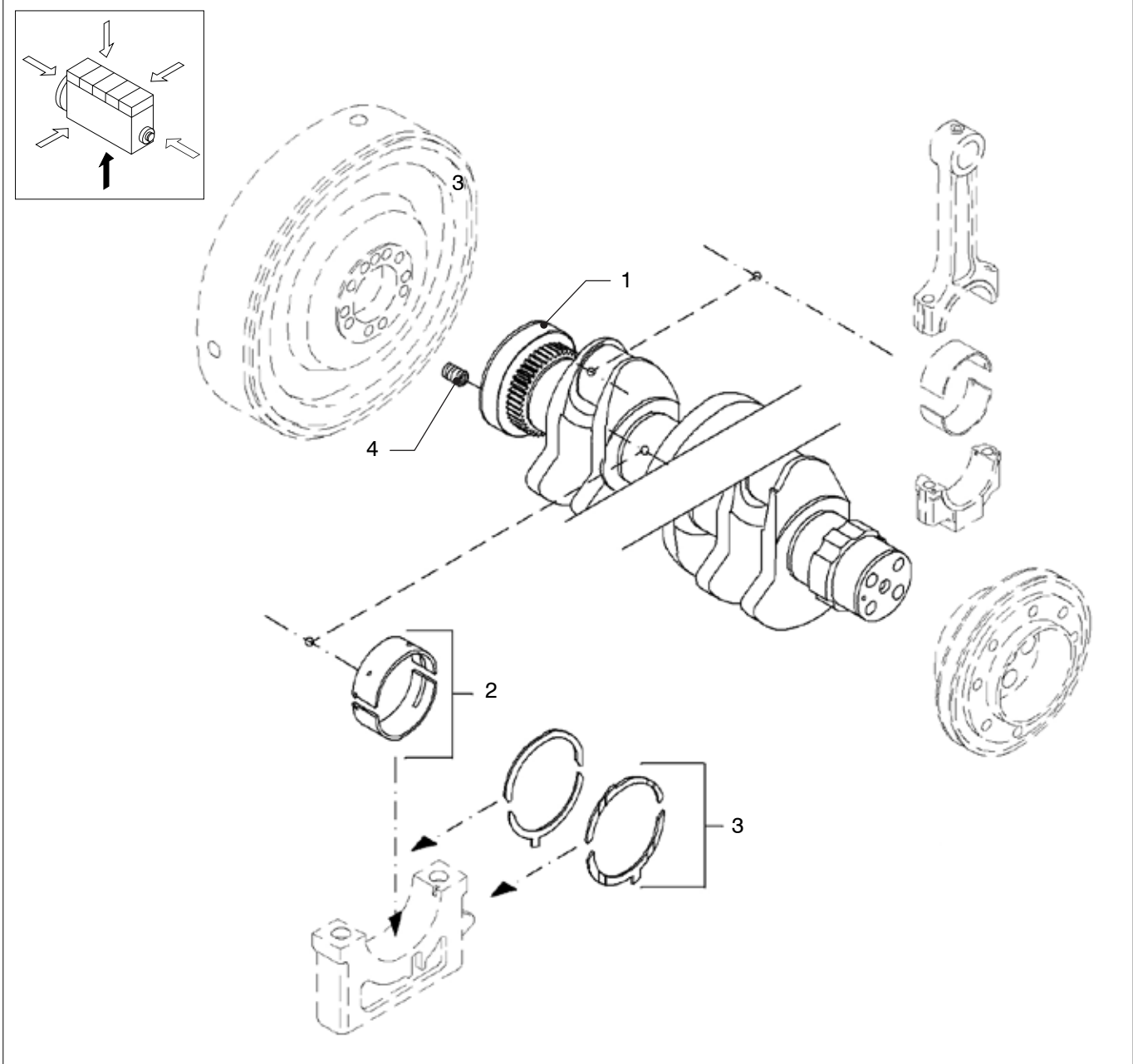


**VD4.120**    **VD4.140**  
**VD6.170**    **VD6.210**

**Carterpan**

**Oil pan**

| pos. | qty | part    | benaming          |     | description      |     |
|------|-----|---------|-------------------|-----|------------------|-----|
| 1    | 1   | DZ02001 | Carterpan         | VD4 | Oil pan          | VD4 |
|      | 1   | DZ02010 | Carterpan         | VD6 | Oil pan          | VD6 |
| 2    | 2   | DZ02002 | Plug              |     | Screw plug       |     |
| 3    | 3   | DZ02003 | Afdichtring       | VD4 | Sealing ring     | VD4 |
|      | 2   | DZ02003 | Afdichtring       | VD6 | Sealing ring     | VD6 |
| 4    | 22  | DZ02004 | Zeskantbout       | VD4 | Hexagon bolt     | VD4 |
|      | 28  | DZ02004 | Zeskantbout       | VD6 | Hexagon bolt     | VD6 |
| 5    | 1   | DZ02005 | Pakking           |     | Gasket           |     |
| 6    | 1   | DZ02009 | Vloeibare pakking |     | Packing compound |     |

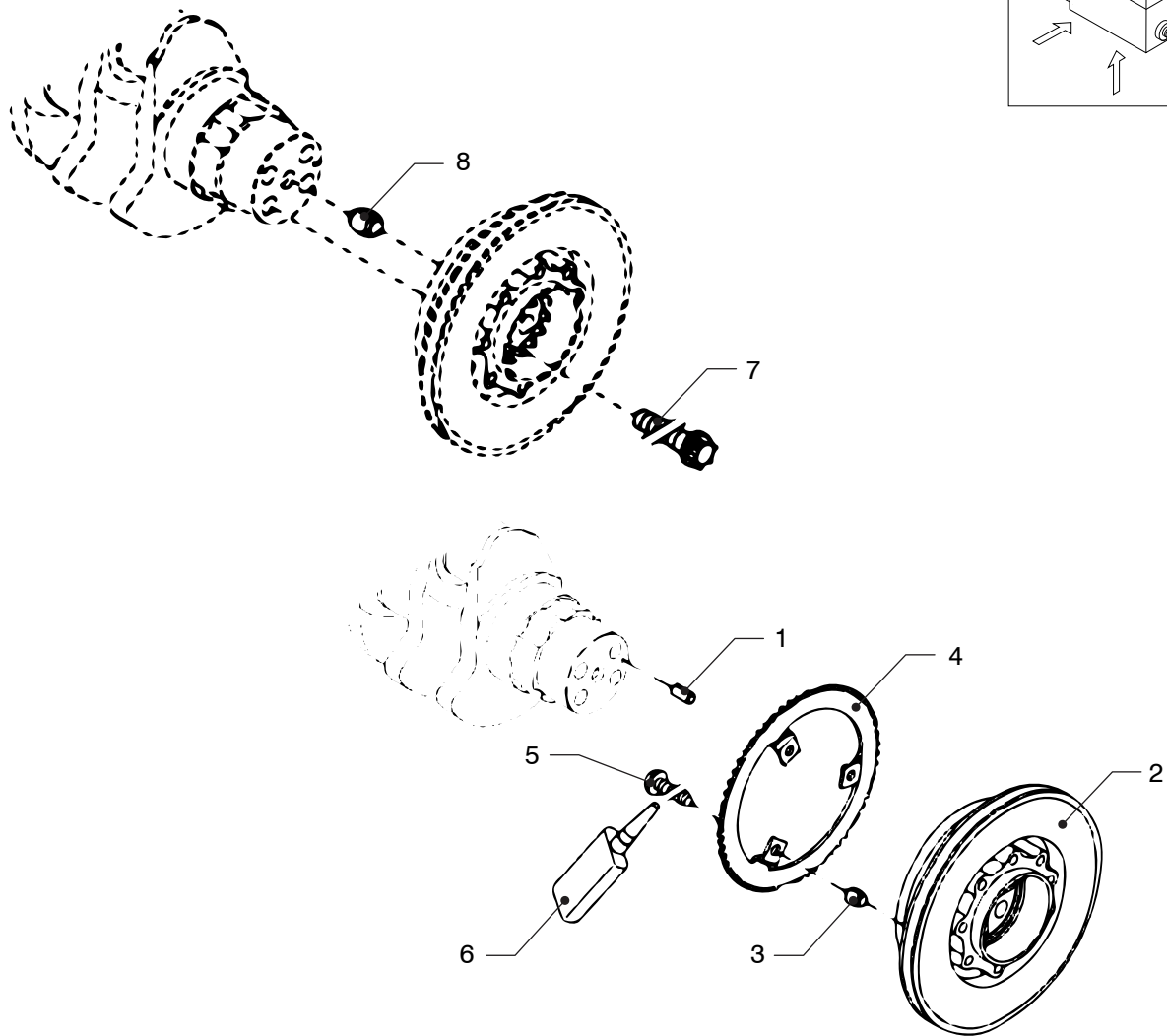
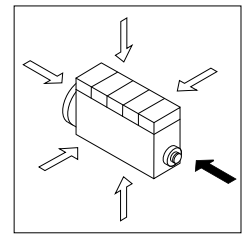


**VD4.120**    **VD4.140**  
**VD6.170**    **VD6.210**

**Krukas**

**Crankshaft**

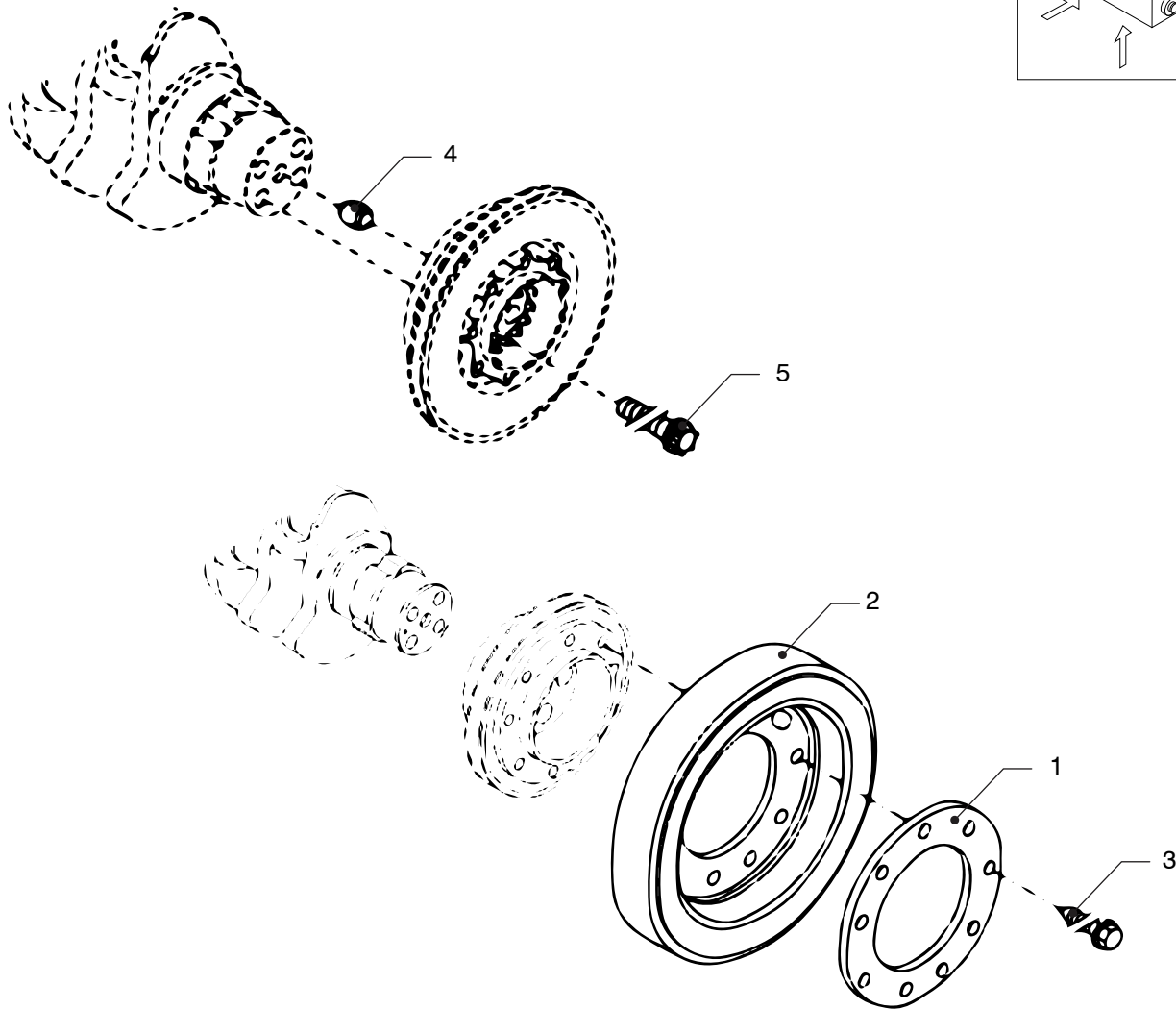
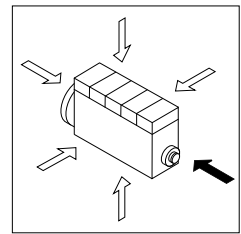
| pos. | qty | part    | benaming         |     | description        |     |
|------|-----|---------|------------------|-----|--------------------|-----|
| 1    | 1   | DZ05001 | Krukas           | VD4 | Crankshaft         | VD4 |
|      | 1   | DZ05006 | Krukas           | VD6 | Crankshaft         | VD6 |
| 2    | 5   | DZ05002 | Hoofdlagerschaal | VD4 | Main bearing liner | VD4 |
|      | 7   | DZ05002 | Hoofdlagerschaal | VD6 | Main bearing liner | VD6 |
| 3    | 2   | DZ05003 | Stuwdruk lager   |     | Thrust washer      |     |
| 4    | 10  | DZ05005 | Inschroefdeel    |     | Threaded insert    |     |



VD4.120 VD4.140 V-snaar poelie

V-belt pulley assembly

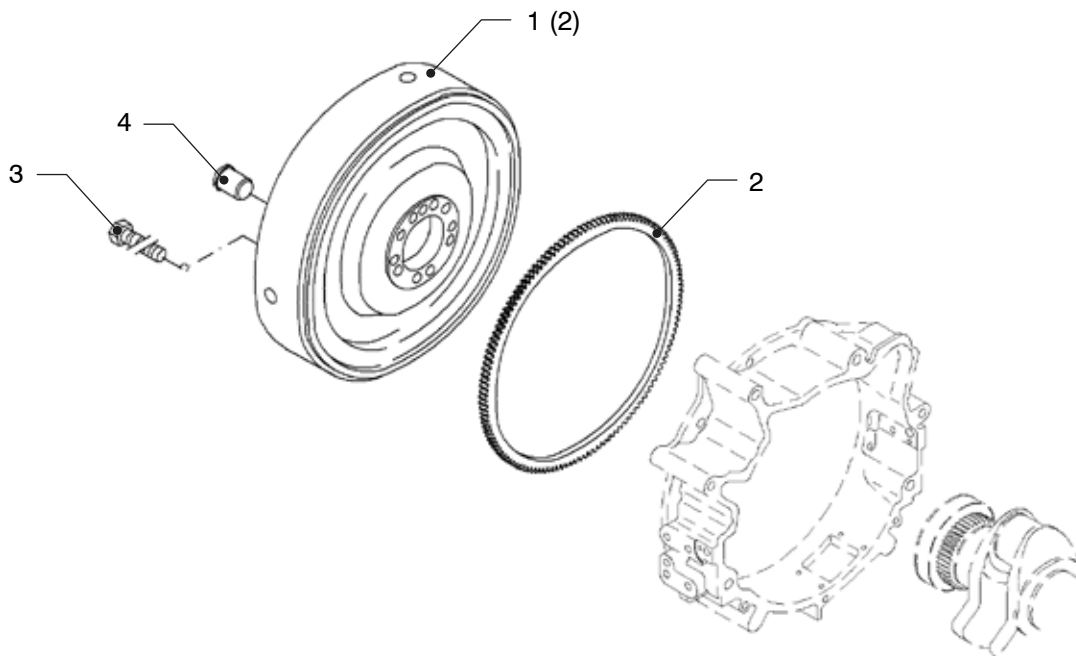
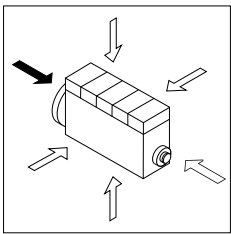
| pos. | qty | part    | benaming    | description       |
|------|-----|---------|-------------|-------------------|
| 1    | 1   | DZ05020 | Pen         | Straight pin      |
| 2    | 1   | DZ05021 | Poelie      | V-grooved pulley  |
| 3    | 1   | DZ05022 | Klembus     | Clamping bush     |
| 4    | 1   | DZ05023 | Borgring    | Lock washer       |
| 5    | 3   | DZ05024 | Zeskantbout | Hexagon bolt      |
| 6    | 1   | DZ05035 | Borgmiddel  | Safety/lock agent |
| 7    | 4   | DZ05027 | Torxbout    | Torx-head bolt    |
| 8    | 1   | DZ05010 | Klembus     | Clamping bush     |



**VD6.170 VD6.210 V-snaar poelie**

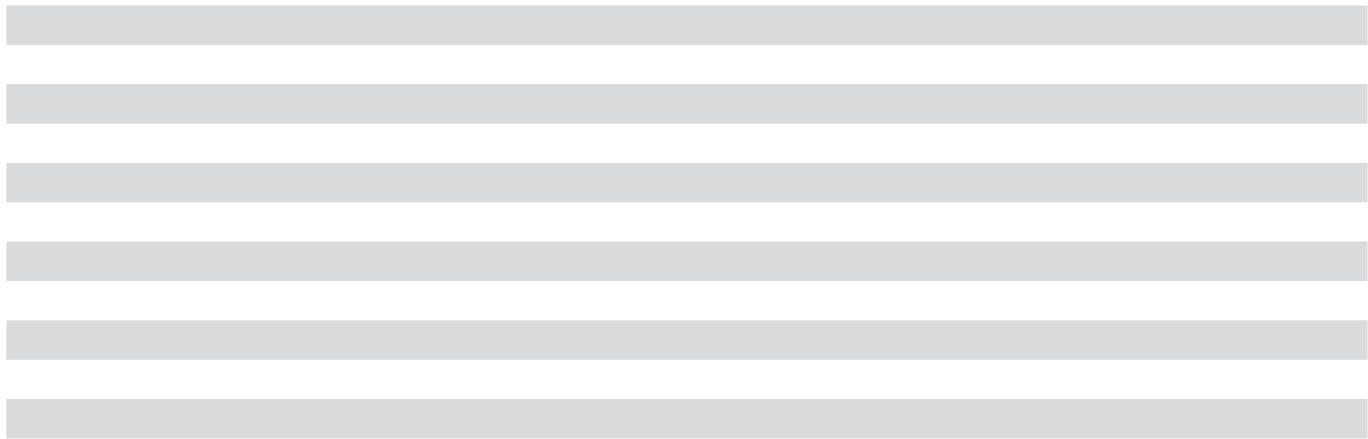
**V-belt pulley assembly**

| pos. | qty | part    | benaming       | description      |
|------|-----|---------|----------------|------------------|
| 1    | 1   | DZ05012 | Sluitering     | Plain washer     |
| 2    | 1   | DZ05013 | Trillingdemper | Vibration damper |
| 3    | 9   | DZ05019 | Zeskantbout    | Hexagon bolt     |
| 4    | 1   | DZ05010 | Klembus        | Clamping bush    |
| 5    | 4   | DZ05027 | Torxbout       | Torx-head bolt   |
|      |     |         |                |                  |
|      |     |         |                |                  |
|      |     |         |                |                  |
|      |     |         |                |                  |
|      |     |         |                |                  |
|      |     |         |                |                  |
|      |     |         |                |                  |
|      |     |         |                |                  |

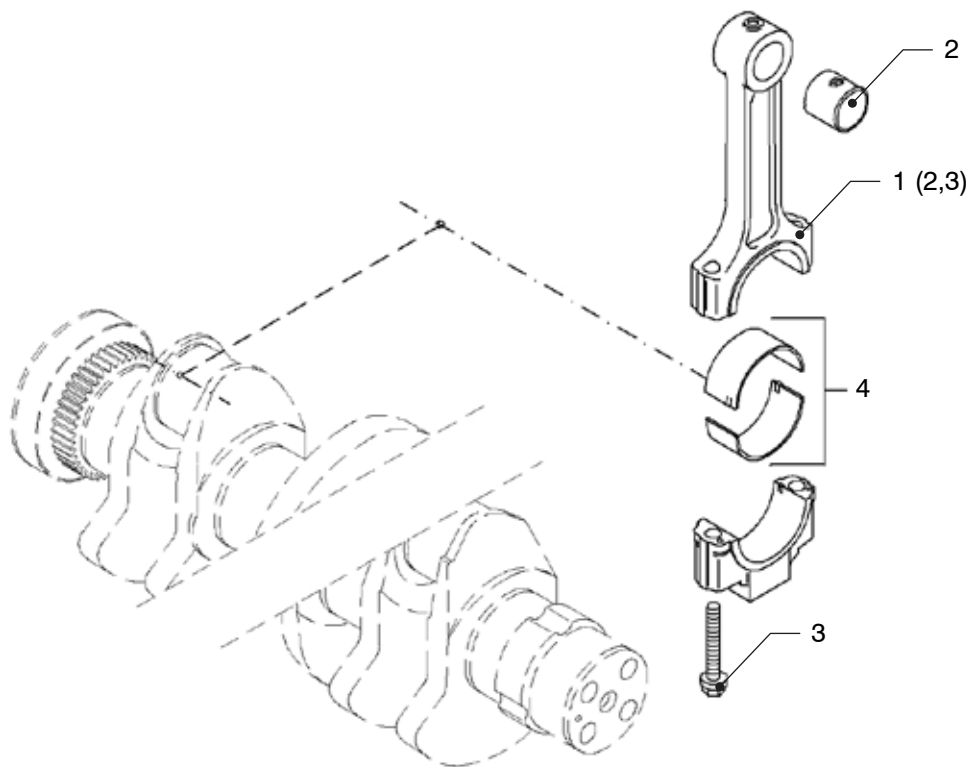
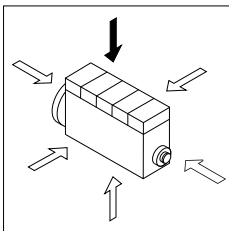


|                |                |                   |                 |
|----------------|----------------|-------------------|-----------------|
| <b>VD4.120</b> | <b>VD4.140</b> | <b>Vlieg wiel</b> | <b>Flywheel</b> |
| <b>VD6.170</b> | <b>VD6.210</b> |                   |                 |

| pos. | qty | part           | benaming    | description  |
|------|-----|----------------|-------------|--------------|
| 1    | 1   | <b>DZ05040</b> | Vlieg wiel  | Flywheel     |
| 2    | 1   | <b>DZ05041</b> | Tandkrans   | Gear rim     |
| 3    | 10  | <b>DZ05042</b> | Zeskantbout | Hexagon bolt |
| 4    | 5   | <b>DZ05043</b> | Plug        | Plug         |



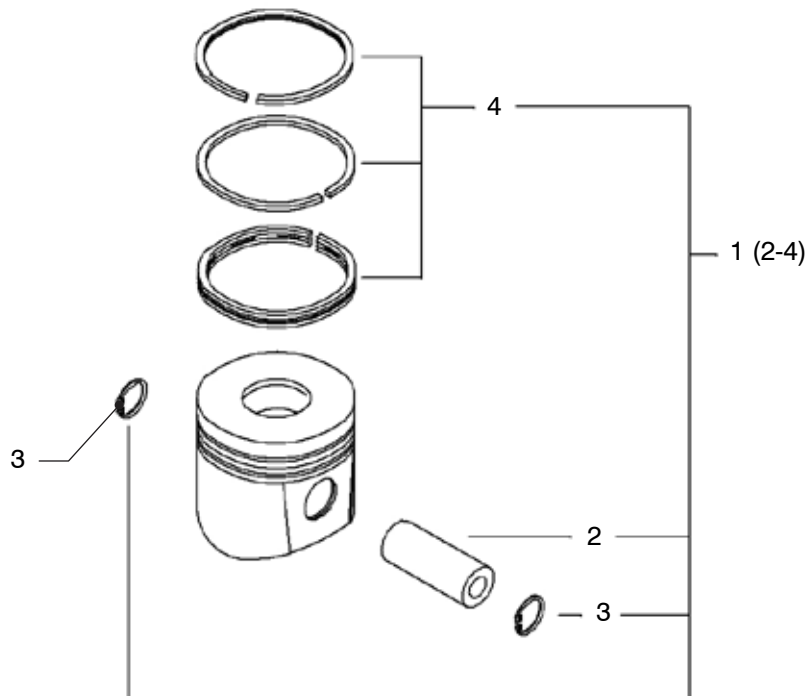
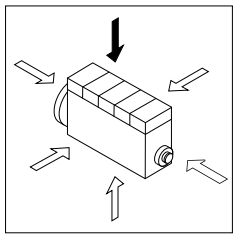




**VD4.120 VD4.140 Drijfstang Connecting rod**  
**VD6.170 VD6.210**

| pos. | qty | part    | benaming                    | description               |
|------|-----|---------|-----------------------------|---------------------------|
| 1    | 1   | DZ06001 | Drijfstang                  | Connecting rod            |
| 2    | 1   | DZ06002 | Lager drijfstangoog         | Small end bearing         |
| 3    | 2   | DZ06003 | Bout                        | Big end bolt              |
| 4    | 1   | DZ06005 | Drijfstanglager (set van 2) | Conrod bearing (set of 2) |

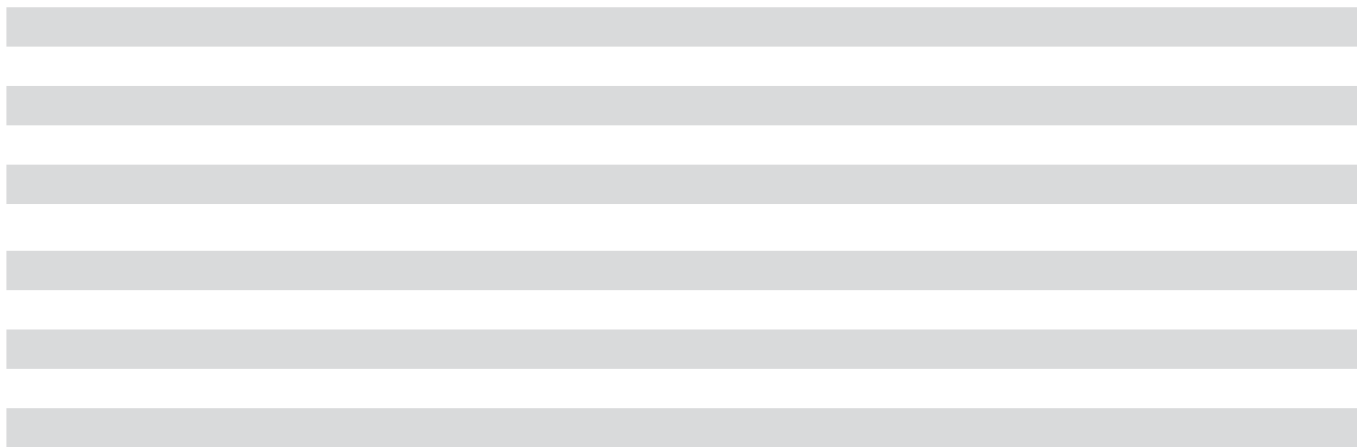


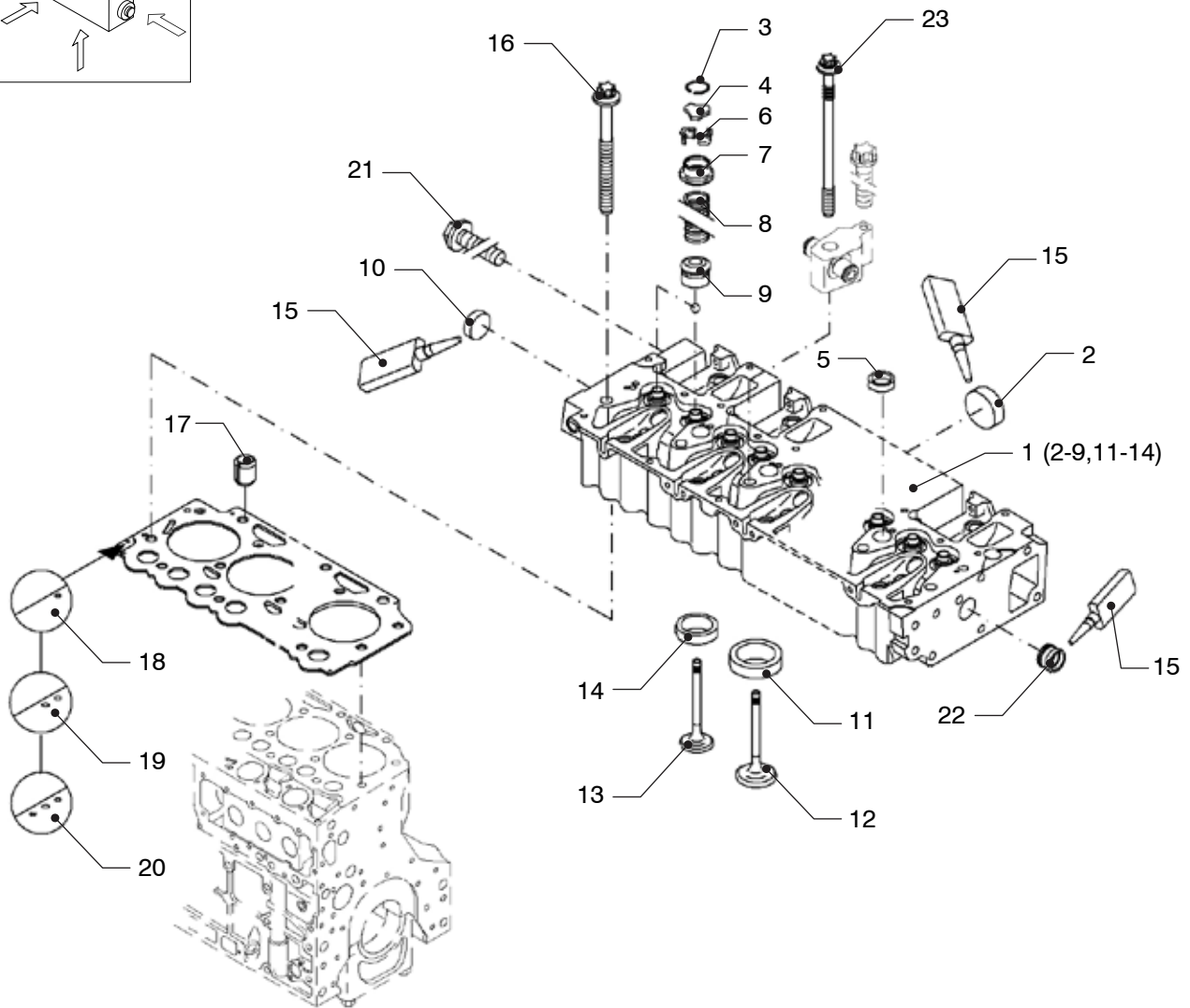
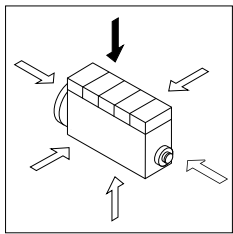


**VD4.120**   **VD4.140**   **Zuiger**  
**VD6.170**   **VD6.210**

**Piston**

| pos. | qty | part     | benaming                      |     | description                   |     |
|------|-----|----------|-------------------------------|-----|-------------------------------|-----|
| 1    | 1   | VP000119 | Zuigerveren set voor 1 zuiger | VD4 | Piston ring set for 1 piston  | VD4 |
| 2    | 1   | DZ07002  | Zuigerpen                     |     | Piston pin                    |     |
| 3    | 2   | DZ07003  | Borgring                      |     | Circlip                       |     |
| 4    | 1   | DZ07004  | Set zuigerveren voor 1 zuiger |     | Set piston rings for 1 piston |     |





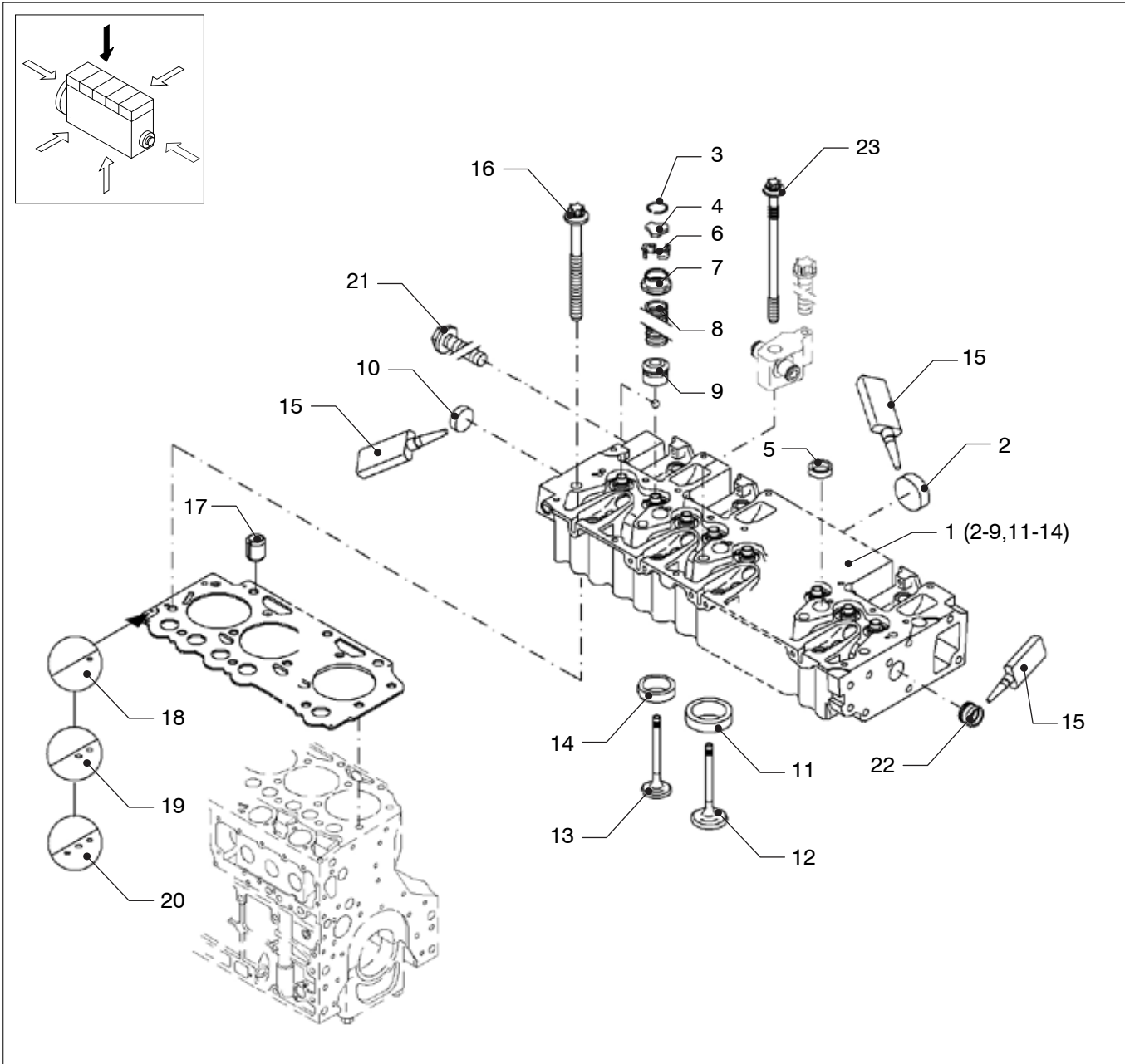
**VD4.120**  
**VD6.170**

**VD4.140**  
**VD6.210**

**Cilinderkop**

**Cylinder head**

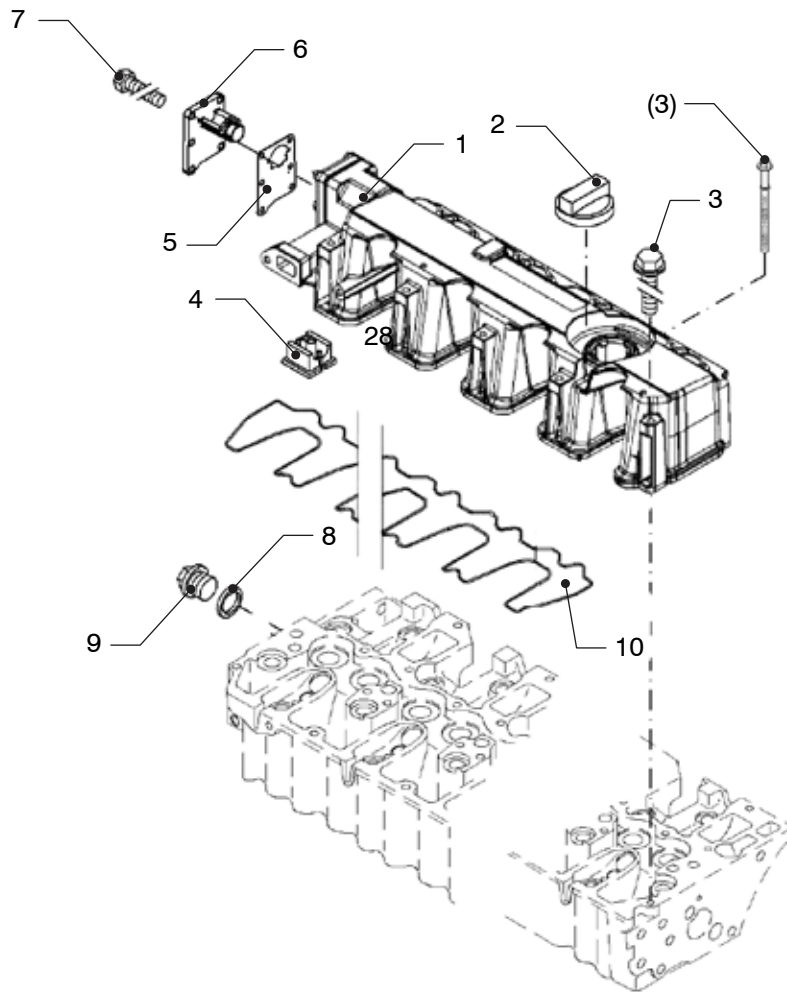
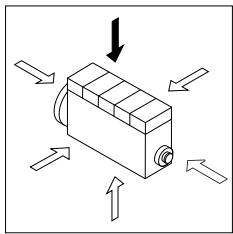
| pos. | qty | part     | benaming             | description           |
|------|-----|----------|----------------------|-----------------------|
| 1    | 1   | DZ08001  | Cilinderkop          | Cylinder head         |
| 2    | 3   | DZ08002  | Plug                 | Core hole plug        |
| 3    | 8   | DZ08003  | Springring           | Snap ring             |
| 4    | 8   | DZ08004  | Veerschotel          | Valve spring retainer |
| 5    | 3   | DZ08005  | Plug                 | Core hole plug        |
| 6    | 16  | DZ08006  | Halve kegel spie     | Valve collet          |
| 7    | 8   | DZ08007  | Veerschotel          | Spring cap            |
| 8    | 8   | DZ08008  | Drukveer             | Compression spring    |
| 9    | 8   | VP000120 | Klepsteel afdichting | Valve stem seal       |
| 10   | 1   | DZ08038  | Plug                 | Core hole plug        |
| 11   | 4   | DZ08011  | Klepzitting          | Valve seat insert     |
| 12   | 4   | DZ08012  | Inlaatklep           | Inlet valve           |
| 13   | 4   | DZ08013  | Uitlaatklep          | Exhaust valve         |
| 14   | 4   | DZ08014  | Klepzitting          | Valve seat insert     |
| 15   | 1   | DZ08015  | Borgmiddel           | Safety/lock.agent     |



**VD4.120 VD6.170** **VD4.140 VD6.210** **Cilinderkop**

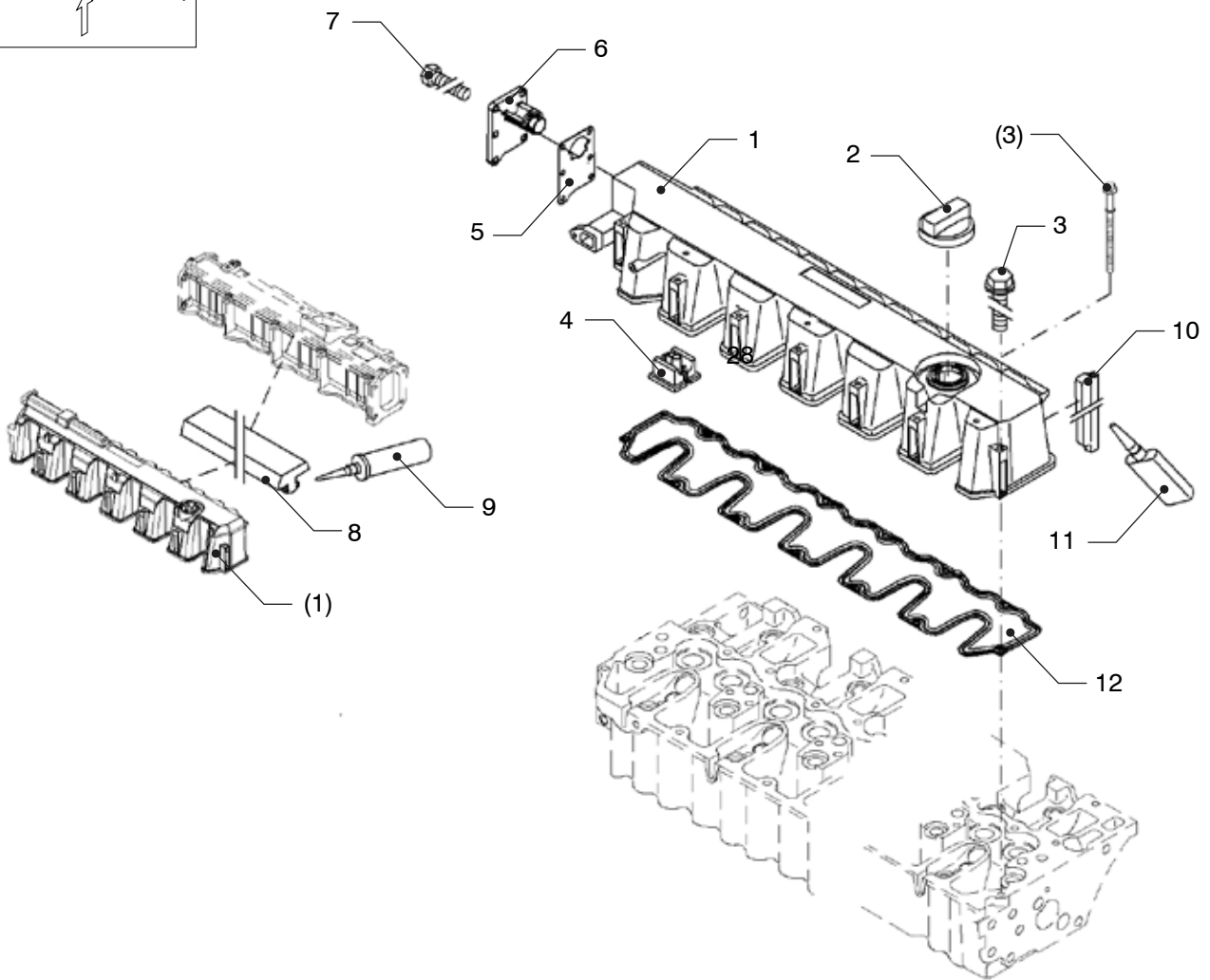
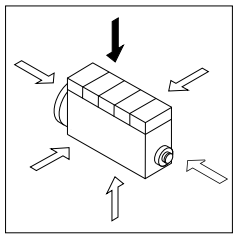
**Cylinder head**

| pos. | qty | part     | benaming                      |     | description                    |     |
|------|-----|----------|-------------------------------|-----|--------------------------------|-----|
| 16   | 13  | DZ08016  | Cilinderkopbout M12X108 mm    | VD4 | Cylinder head bolt M12X108 mm  | VD4 |
| 19   |     | DZ08016  | Cilinderkopbout M12X108 mm    | VD6 | Cylinder head bolt M12X108 mm  | VD6 |
| 17   | 2   | DZ08017  | Klembus                       |     | Clamping bush                  |     |
| 18   | 1   | VP000121 | Cilinderkop pakking (1 gat)   | VD4 | Cylinder head gasket (1 hole)  | VD4 |
|      | 1   | VP000124 | Cilinderkop pakking (1 gat)   | VD6 | Cylinder head gasket (1 hole)  | VD6 |
| 19   | 1   | VP000122 | Cilinderkop pakking (2 gaats) | VD4 | Cylinder head gasket (2 holes) | VD4 |
|      | 1   | VP000125 | Cilinderkop pakking (2 gaats) | VD6 | Cylinder head gasket (2 holes) | VD6 |
| 20   | 1   | VP000123 | Cilinderkop pakking (3 gaats) | VD4 | Cylinder head gasket (3 holes) | VD4 |
|      | 1   | VP000126 | Cilinderkop pakking (3 gaats) | VD6 | Cylinder head gasket (3 holes) | VD6 |
| 21   | 2   | DZ08022  | Zeskantbout                   |     | Hexagon bolt                   |     |
| 22   | 1   | DZ08023  | Plug                          |     | Plug                           |     |
| 23   | 5   | DZ08024  | Cilinderkopbout M12X108 mm    | VD4 | Cylinder head bolt M12X108 mm  | VD4 |
|      | 7   | DZ08024  | Cilinderkopbout M12X108 mm    | VD6 | Cylinder head bolt M12X108 mm  | VD6 |



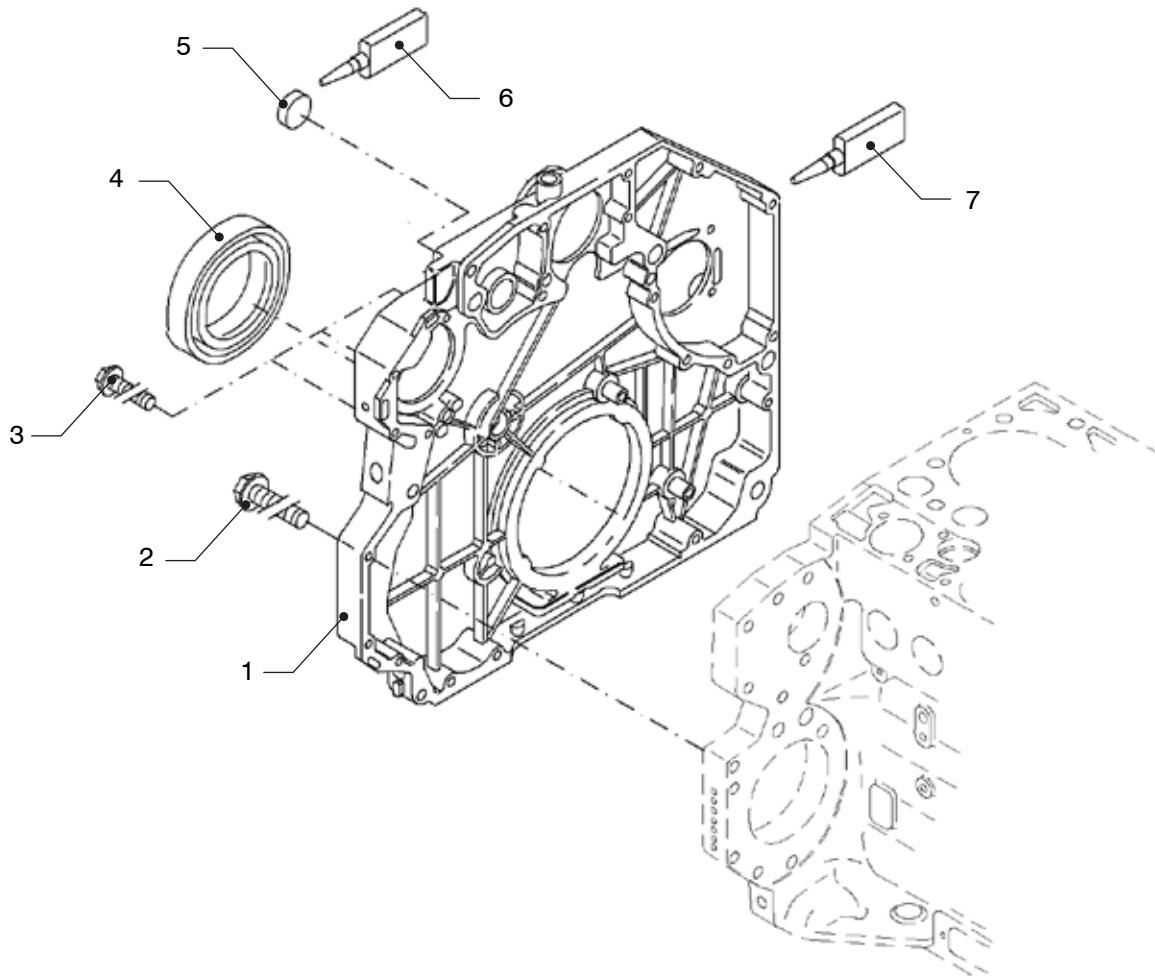
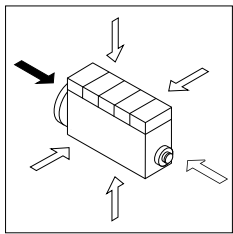
**VD4.120    VD4.140    Kleppendeksel    Valve mechanism cover**

| pos. | qty | part    | benaming                | description        |
|------|-----|---------|-------------------------|--------------------|
| 1    | 1   | DZ08030 | Kleppendeksel           | Valve cover        |
| 2    | 1   | DZ08032 | Vuldop                  | Filler cap         |
| 3    | 9   | DZ08033 | Zeskantbout             | Hexagon bolt       |
| 4    | 1   | DZ08034 | Dop                     | Cap                |
| 5    | 1   | DZ08035 | Pakking                 | Gasket             |
| 6    | 1   | DZ08036 | Olie afscheider eenheid | Oil separator unit |
| 7    | 6   | DZ08037 | Zeskantbout             | Hexagon bolt       |
| 8    | 1   | DZ08040 | Afdichtring             | Sealing ring       |
| 9    | 1   | DZ08041 | Plug                    | Screw plug         |
| 10   | 1   | DZ08031 | Pakking                 | Gasket             |



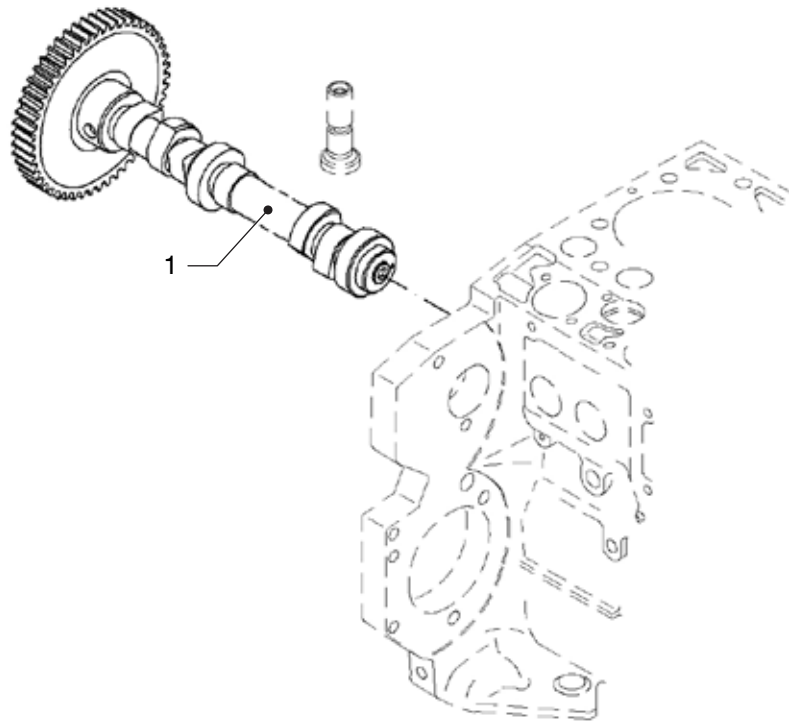
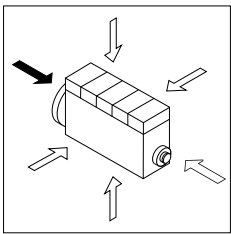
**VD6.170 VD6.210 Kleppendecksel Valve mechanism cover**

| pos. | qty | part    | benaming                | description        |
|------|-----|---------|-------------------------|--------------------|
| 1    | 1   | DZ08030 | Kleppendecksel          | Valve cover        |
| 2    | 1   | DZ08032 | Vuldop                  | Filler cap         |
| 3    | 13  | DZ08033 | Zeskantbout             | Hexagon bolt       |
| 4    | 1   | DZ08034 | Dop                     | Cap                |
| 5    | 1   | DZ08035 | Pakking                 | Gasket             |
| 6    | 1   | DZ08036 | Olie afscheider eenheid | Oil separator unit |
| 7    | 6   | DZ08037 | Zeskantbout             | Hexagon bolt       |
| 8    | 1   | DZ08051 | Afdichtprofiel          | Sealing section    |
| 9    | 1   | DZ08052 | Montagepasta            | Assembly compound  |
| 10   | 2   | DZ08055 | Stofafdichting          | Dust seal          |
| 11   | 1   | DZ08056 | Lijm                    | Glue               |
| 12   | 1   | DZ08031 | Pakking                 | Gasket             |



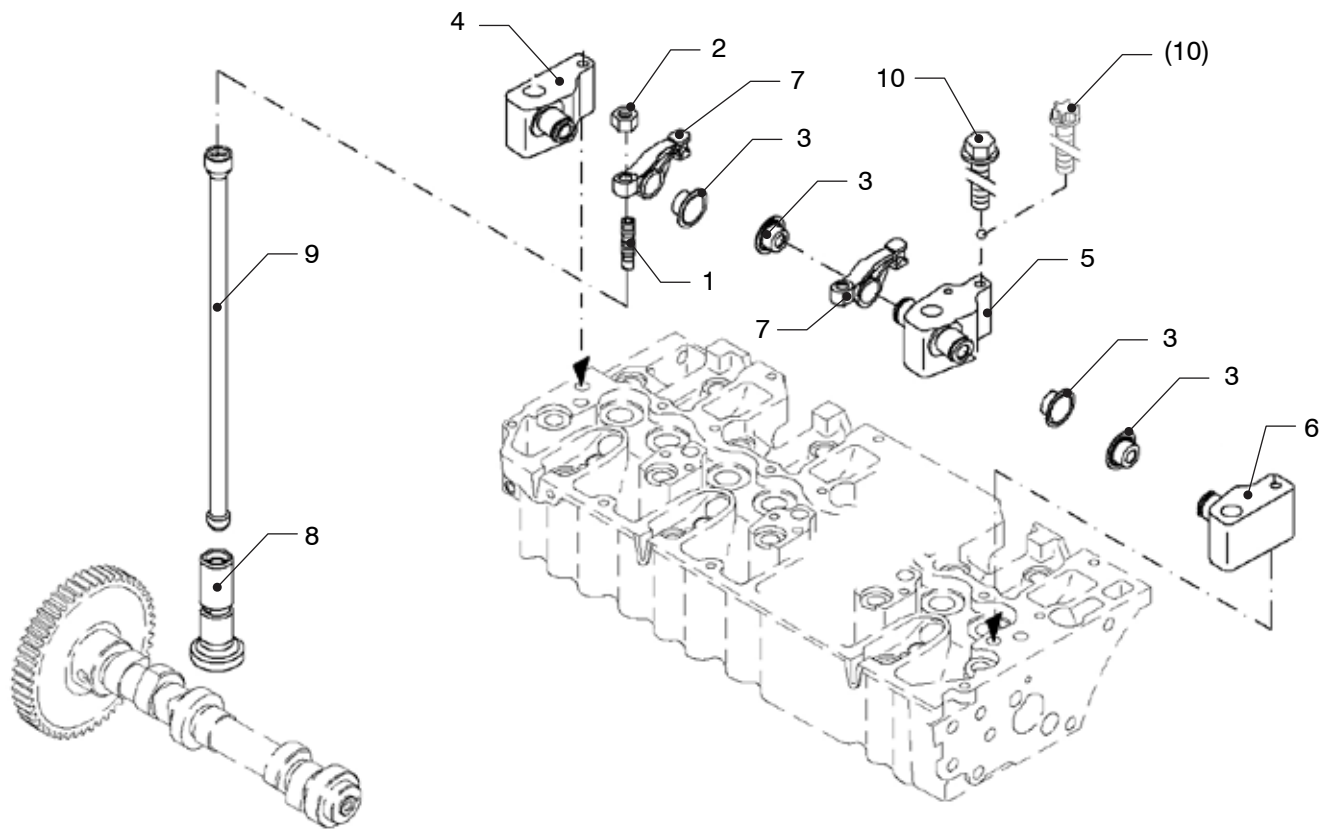
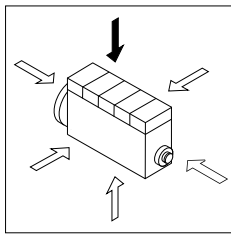
|                |                |                          |                       |
|----------------|----------------|--------------------------|-----------------------|
| <b>VD4.120</b> | <b>VD4.140</b> | <b>Distributiedeksel</b> | <b>Gearcase cover</b> |
| <b>VD6.170</b> | <b>VD6.210</b> |                          |                       |

| pos. | qty | part    | benaming          | description      |
|------|-----|---------|-------------------|------------------|
| 1    | 1   | DZ09001 | Distributiedeksel | Gearcase         |
| 2    | 12  | DZ09002 | Zeskantbout       | Hexagon bolt     |
| 3    | 4   | DZ09003 | Zeskantbout       | Hexagon bolt     |
| 4    | 1   | DZ09004 | Keerring          | Lip seal         |
| 5    | 1   | DZ09007 | Plug              | Plug             |
| 6    | 1   | DZ09008 | Vloeibare pakking | Packing compound |
| 7    | 1   | DZ09009 | Vloeibare pakking | Packing compound |



| VD4.120<br>VD6.170 |     | VD4.140<br>VD6.210 | Nokkenas | Camshaft |             |     |
|--------------------|-----|--------------------|----------|----------|-------------|-----|
| pos.               | qty | part               | benaming |          | description |     |
| 1                  | 1   | DZ10001            | Nokkenas | VD4      | Camshaft    | VD4 |
|                    | 1   | DZ10002            | Nokkenas | VD6      | Camshaft    | VD6 |

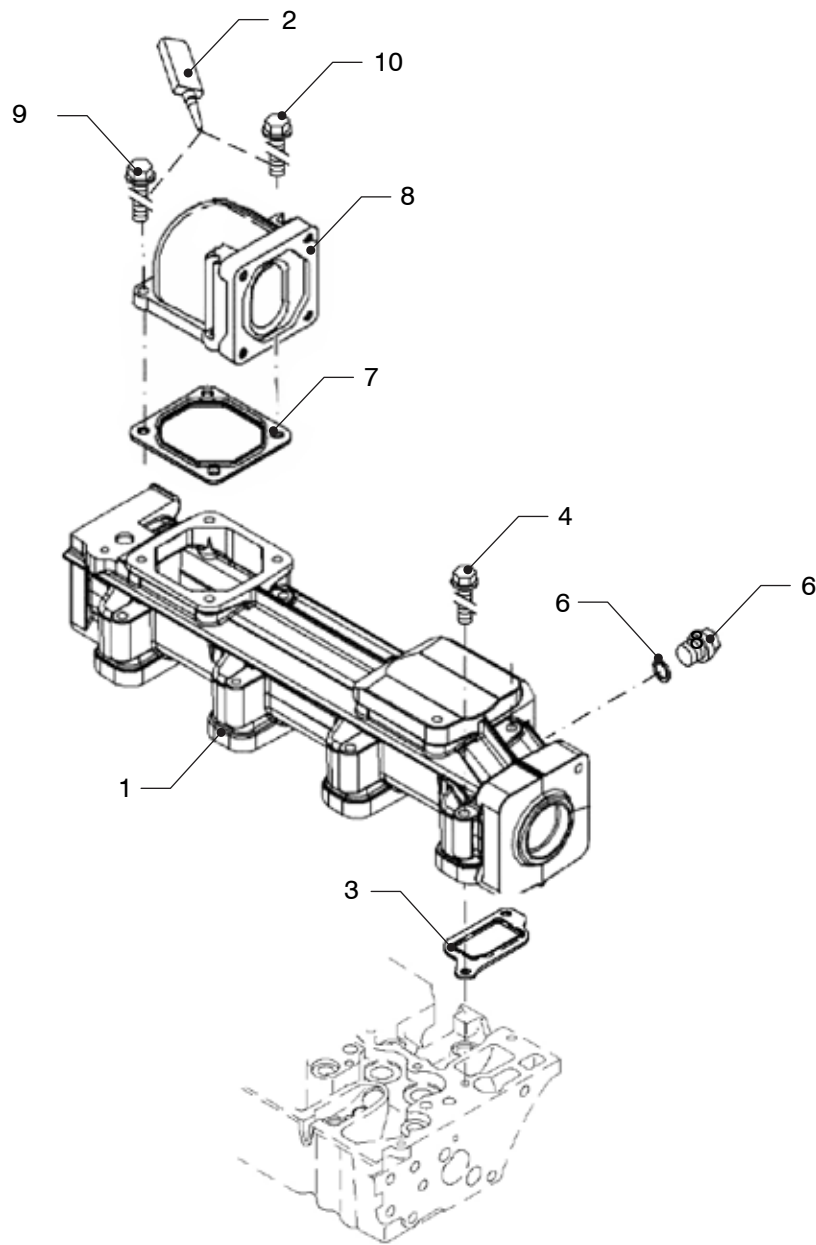
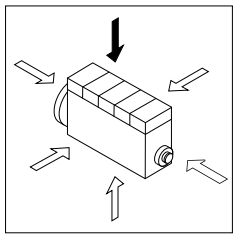




**VD4.120**   **VD4.140**   **Klepaandrijving**  
**VD6.170**   **VD6.210**

**Valve drive**

| pos. | qty | part    | benaming        |     | description        |     |
|------|-----|---------|-----------------|-----|--------------------|-----|
| 1    | 8   | DZ11007 | Stelschroef     | VD4 | Adjusting screw    | VD4 |
|      | 12  | DZ11007 | Stelschroef     | VD6 | Adjusting screw    | VD6 |
| 2    | 8   | DZ11008 | Zeskantmoer     | VD4 | Hexagon nut        | VD4 |
|      | 12  | DZ11008 | Zeskantmoer     | VD6 | Hexagon nut        | VD6 |
| 3    | 8   | DZ11009 | Borgring        | VD4 | Retaining washer   | VD4 |
|      | 12  | DZ11009 | Borgring        | VD6 | Retaining washer   | VD6 |
| 4    | 1   | DZ11011 | Tuimelaar steun |     | Rocker arm bracket |     |
| 5    | 3   | DZ11012 | Tuimelaar steun | VD4 | Rocker arm bracket | VD4 |
|      | 5   | DZ11012 | Tuimelaar steun | VD6 | Rocker arm bracket | VD6 |
| 6    | 1   | DZ11013 | Tuimelaar steun |     | Rocker arm bracket |     |
| 7    | 8   | DZ11016 | Tuimelaar       | VD4 | Rocker arm         | VD4 |
|      | 12  | DZ11016 | Tuimelaar       | VD6 | Rocker arm         | VD6 |
| 8    | 1   | DZ11017 | Klepstoter      | VD4 | Tappet             | VD4 |
| 9    | 1   | DZ11018 | Stoterstang     | VD4 | Pushrod            | VD4 |
| 10   | 10  | DZ11003 | Torxbout        | VD4 | Torx-head bolt     | VD4 |
|      | 14  | DZ11003 | Torxbout        | VD6 | Torx-head bolt     | VD6 |



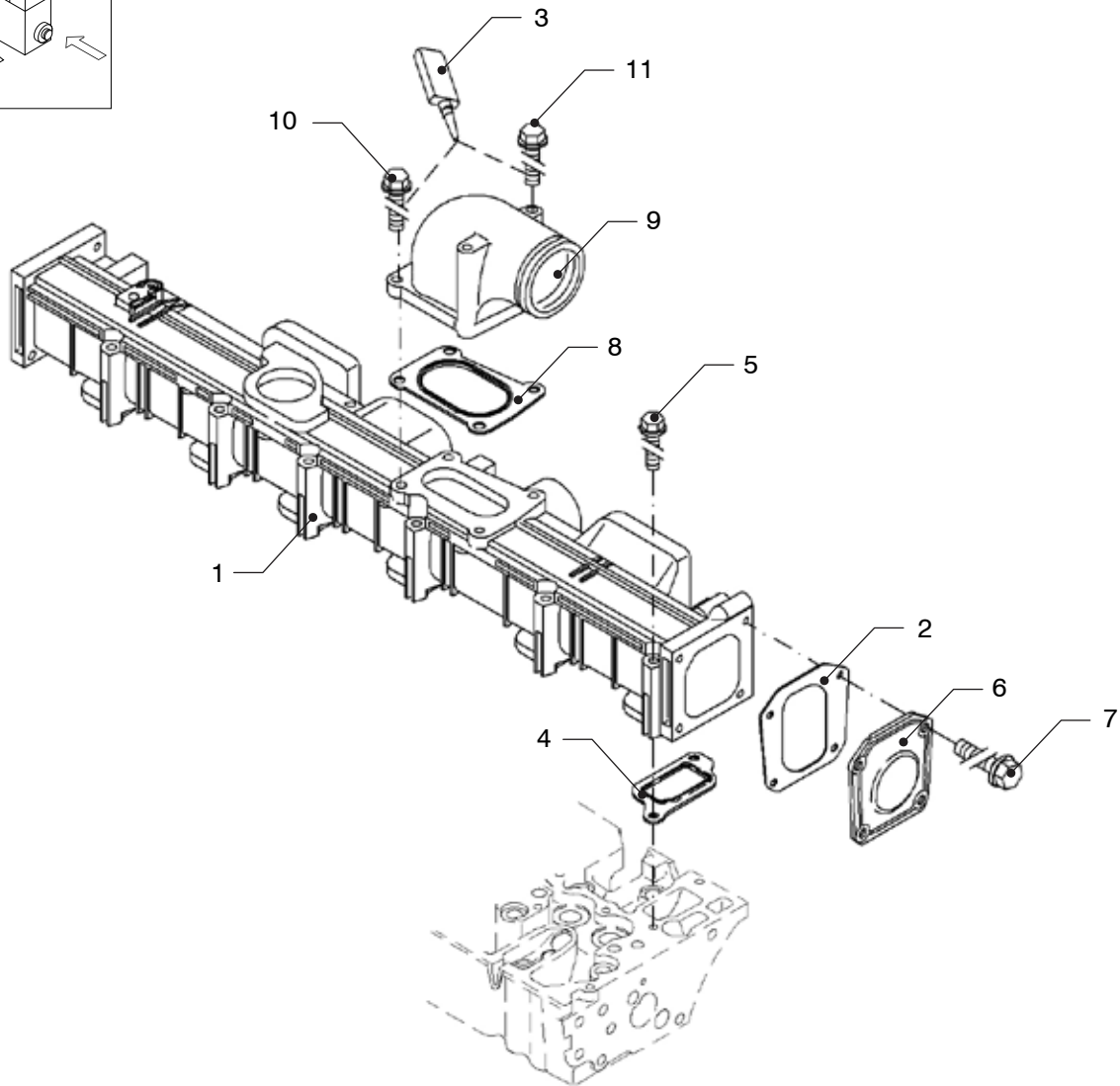
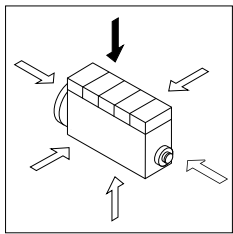
VD4.120

VD4.140

Laadluchtspruitstuk

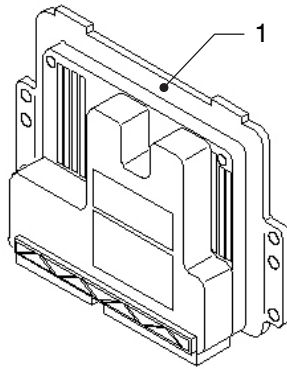
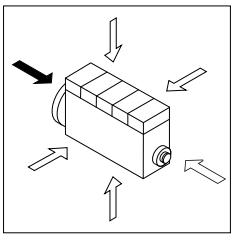
Charge air manifold

| pos. | qty | part    | benaming            | description         |
|------|-----|---------|---------------------|---------------------|
| 1    | 1   | DZ22001 | Laadluchtspruitstuk | Charge air manifold |
| 2    | 1   | DZ22030 | Borgmiddel          | Safety/lock.agent   |
| 3    | 4   | DZ22004 | Pakking             | Gasket              |
| 4    | 4   | DZ22005 | Zeskantbout         | Hexagon bolt        |
| 5    | 1   | DZ22008 | Afdichtring         | Sealing ring        |
| 6    | 1   | DZ22009 | Plug                | Screw plug          |
| 7    | 1   | DZ22026 | Pakking             | Gasket              |
| 8    | 1   | DZ22027 | Spruitstuk          | Manifold            |
| 9    | 2   | DZ22028 | Zeskantbout         | Hexagon bolt        |
| 10   | 2   | DZ22029 | Zeskantbout         | Hexagon bolt        |



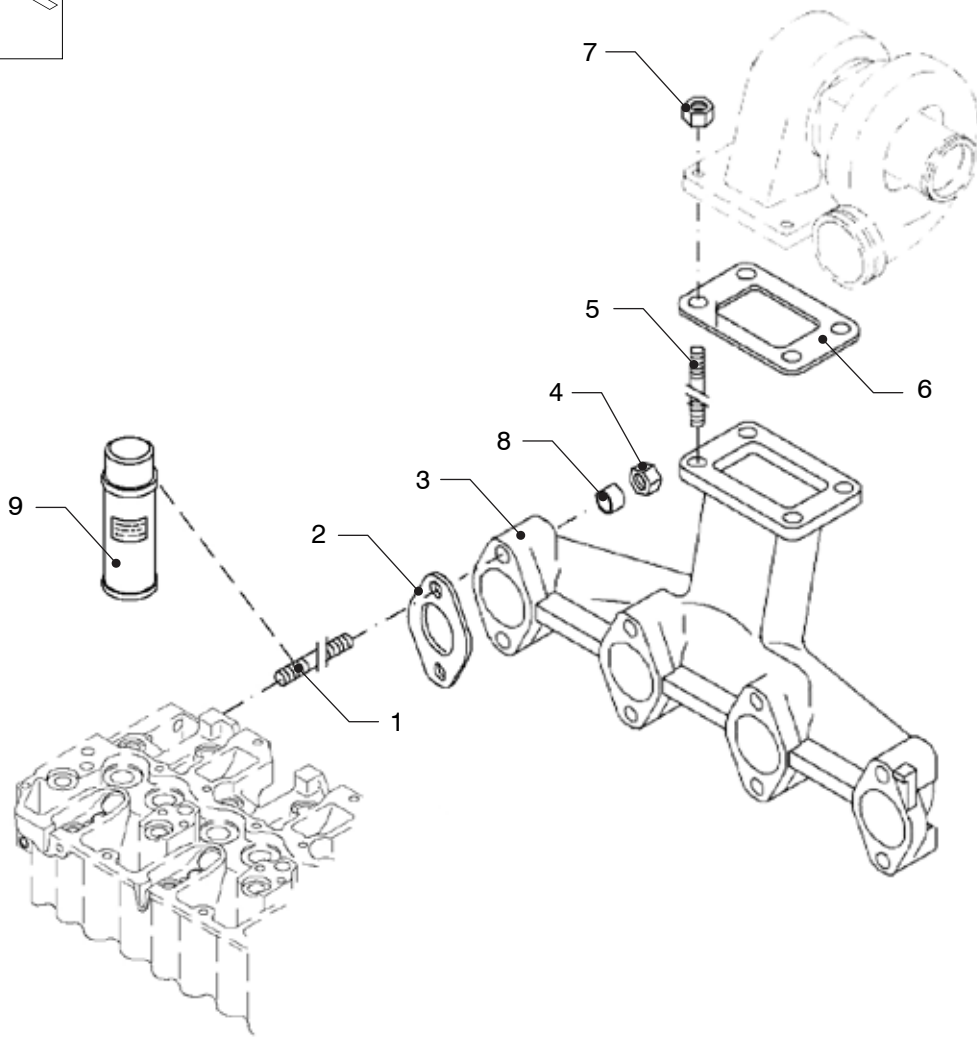
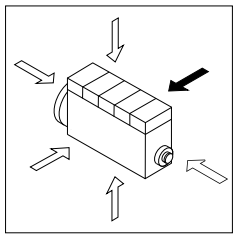
**VD6.170 VD6.210 Laadluchtspruitstuk Charge air manifold**

| pos. | qty | part    | benaming            | description         |
|------|-----|---------|---------------------|---------------------|
| 1    | 1   | DZ22003 | Laadluchtspruitstuk | Charge air manifold |
| 2    | 1   | DZ22002 | Pakking             | Gasket              |
| 3    | 1   | DZ22030 | Borgmiddel          | Safety/lock.agent   |
| 4    | 6   | DZ22004 | Pakking             | Gasket              |
| 5    | 12  | DZ22005 | Zeskantbout         | Hexagon bolt        |
| 6    | 1   | DZ22012 | Deksel              | Cover               |
| 7    | 4   | DZ22013 | Zeskantbout         | Hexagon bolt        |
| 8    | 1   | DZ22026 | Pakking             | Gasket              |
| 9    | 1   | DZ22025 | Spruitstuk          | Manifold            |
| 10   | 2   | DZ22028 | Zeskantbout         | Hexagon bolt        |
| 11   | 2   | DZ22029 | Zeskantbout         | Hexagon bolt        |



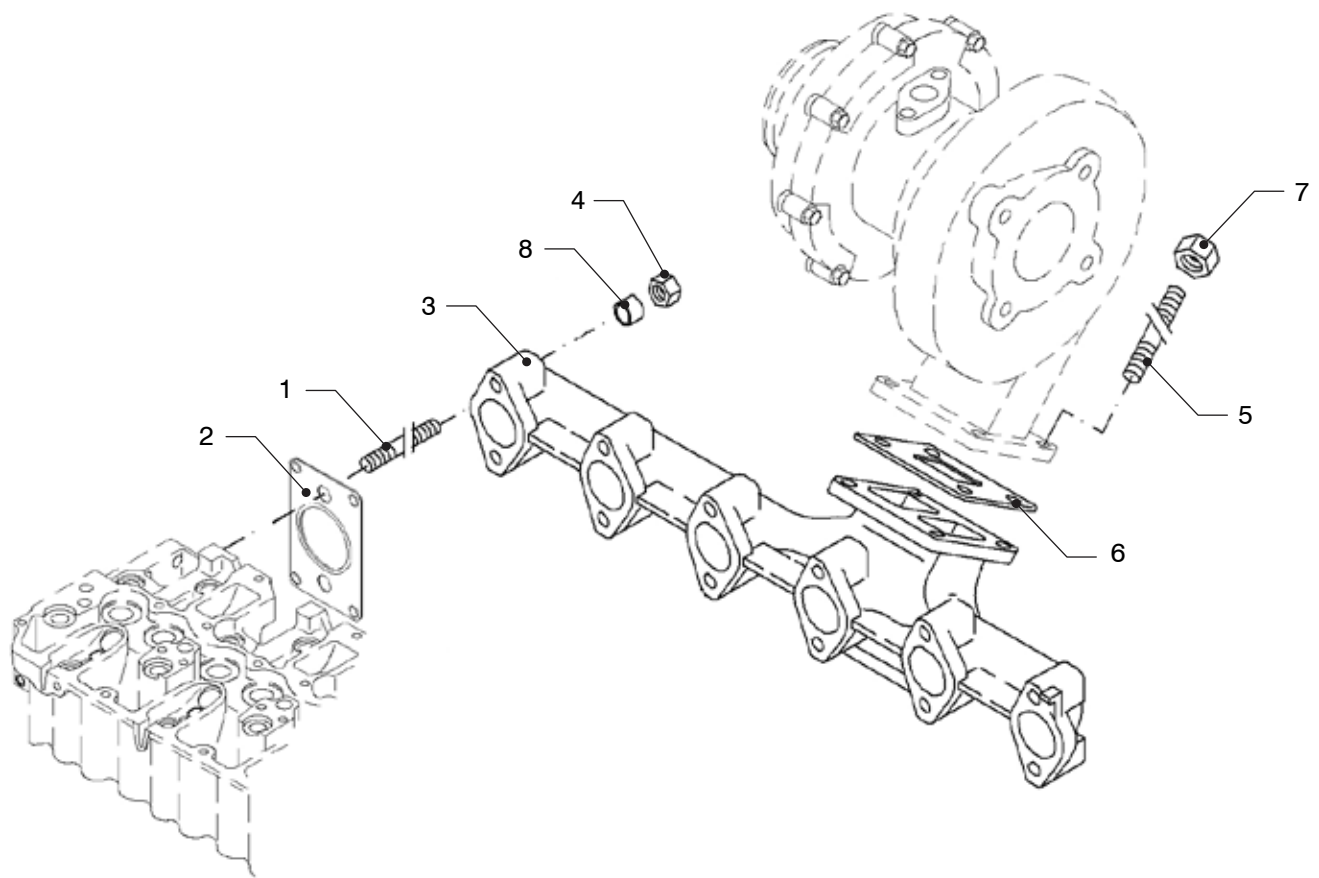
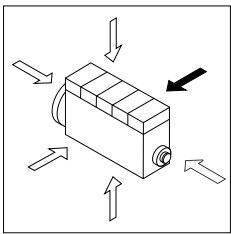
|                |                |            |  |            |
|----------------|----------------|------------|--|------------|
| <b>VD4.120</b> | <b>VD4.140</b> | <b>ECU</b> |  | <b>ECU</b> |
| <b>VD6.170</b> | <b>VD6.210</b> |            |  |            |

| pos. | qty | part    | benaming | description |     |     |
|------|-----|---------|----------|-------------|-----|-----|
| 1    | 1   | DZ27015 | ECU      | VD4         | ECU | VD4 |
|      | 1   | DZ27016 | ECU      | VD6         | ECU | VD6 |
|      |     |         |          |             |     |     |
|      |     |         |          |             |     |     |
|      |     |         |          |             |     |     |
|      |     |         |          |             |     |     |
|      |     |         |          |             |     |     |
|      |     |         |          |             |     |     |
|      |     |         |          |             |     |     |
|      |     |         |          |             |     |     |



**VD4.120    VD4.140    Uitlaatspruitstuk    Exhaust manifold**

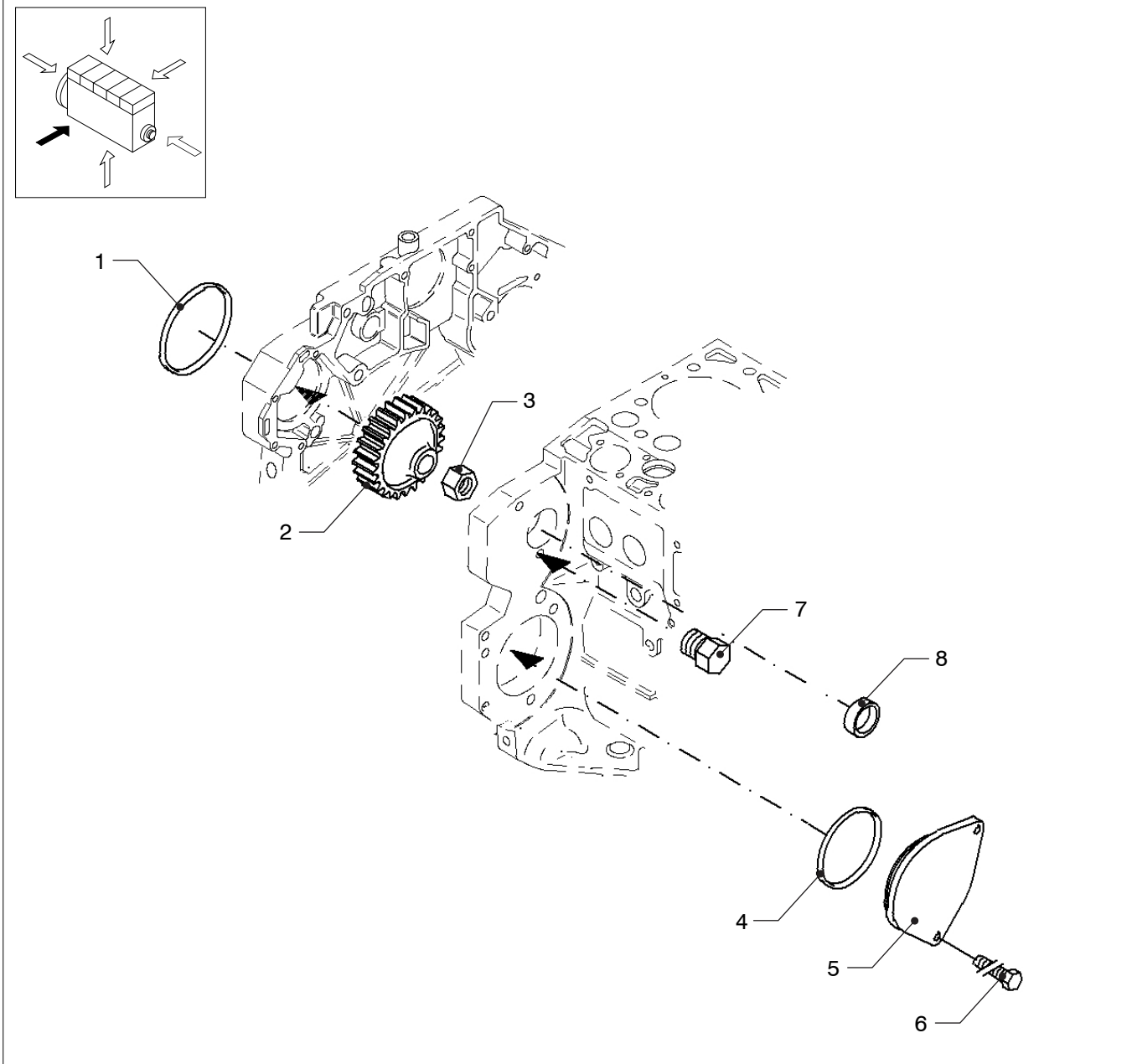
| pos. | qty | part    | benaming          | description      |
|------|-----|---------|-------------------|------------------|
| 1    | 8   | DZ41001 | Tapeind           | Stud             |
| 2    | 4   | DZ41002 | Pakking           | Gasket           |
| 3    | 1   | DZ41003 | Uitlaatspruitstuk | Exhaust manifold |
| 4    | 8   | DZ41005 | Zeskantmoer       | Hexagon nut      |
| 5    | 4   | DZ41006 | Tapeind           | Stud             |
| 6    | 1   | DZ41007 | Pakking           | Gasket           |
| 7    | 4   | DZ41008 | Zeskantmoer       | Hexagon nut      |
| 8    | 8   | DZ41012 | Vulbus            | Spacer sleeve    |
| 9    | 1   | DZ41009 | Montagepasta      | Fitting compound |



**VD6.170 VD6.210 Uitlaatspruitstuk**

**Exhaust manifold**

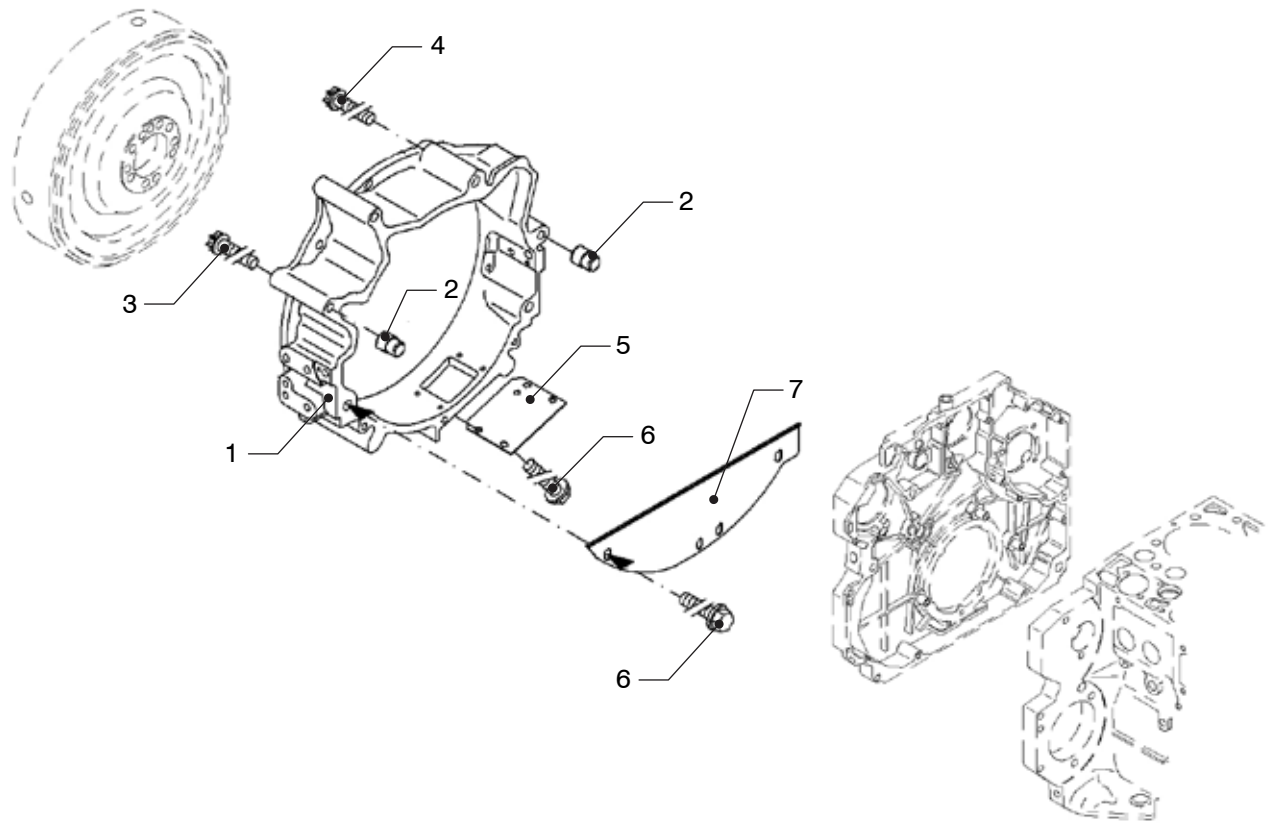
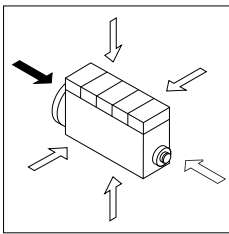
| pos. | qty | part    | benaming          | description      |
|------|-----|---------|-------------------|------------------|
| 1    | 12  | DZ41001 | Tapeind           | Stud             |
| 2    | 6   | DZ41002 | Pakking           | Gasket           |
| 3    | 1   | DZ41004 | Uitlaatspruitstuk | Exhaust manifold |
| 4    | 12  | DZ41005 | Zeskantmoer       | Hexagon nut      |
| 5    | 4   | DZ41006 | Tapeind           | Stud             |
| 6    | 1   | DZ41007 | Pakking           | Gasket           |
| 7    | 4   | DZ41008 | Zeskantmoer       | Hexagon nut      |
| 8    | 12  | DZ41012 | Vulbus            | Spacer sleeve    |



**VD4.120 VD4.140 Hydr. pomp**  
**VD6.170 VD6.210**

**Hydraulic pump**

| pos. | qty | part    | benaming    | description  |
|------|-----|---------|-------------|--------------|
| 1    | 1   | DZ83030 | O-Ring      | O-seal       |
| 2    | 1   | DZ83002 | Tandwiel    | Gear wheel   |
| 3    | 1   | DZ83001 | Borgmoer    | Locking nut  |
| 4    | 1   | DZ83026 | O-Ring      | O-seal       |
| 5    | 1   | DZ83027 | Deksel      | Cover        |
| 6    | 2   | DZ83028 | Zeskantbout | Hexagon bolt |
| 7    | 2   | DZ83023 | Stelschroef | Set screw    |
| 8    | 1   | DZ83046 | Deksel      | Cover        |

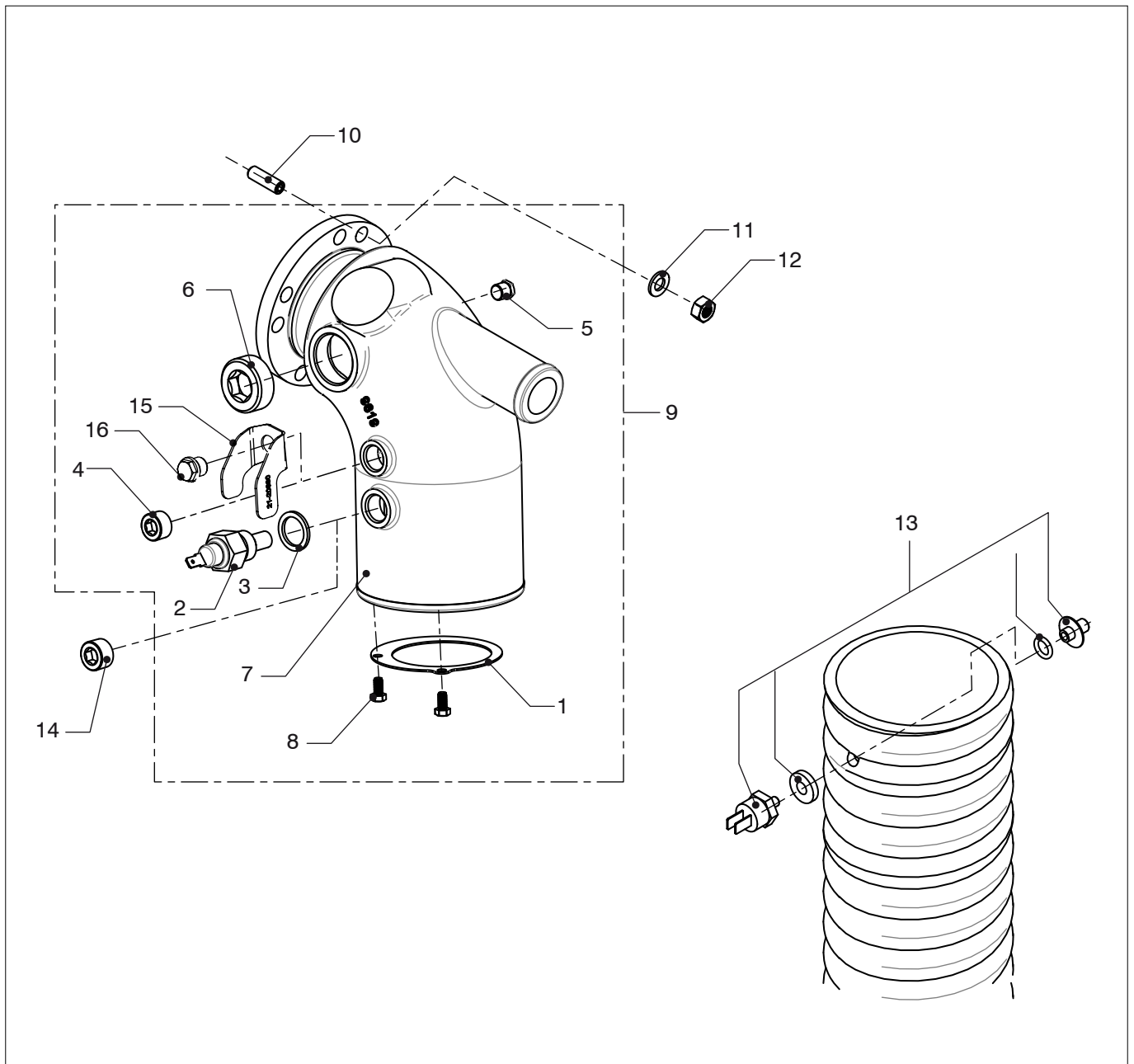


**VD4.120**    **VD4.140**    **Vliegwielhuis**  
**VD6.170**    **VD6.210**

**Flywheel housing**

| pos. | qty | part    | benaming      | description      |
|------|-----|---------|---------------|------------------|
| 1    | 1   | DZ52001 | Vliegwielhuis | Flywheel housing |
| 2    | 2   | DZ52002 | Bus           | Bush             |
| 3    | 2   | DZ52003 | Torxbout      | Torx-head bolt   |
| 4    | 4   | DZ52004 | Torxbout      | Torx-head bolt   |
| 5    | 1   | DZ52007 | Afdekplaat    | Cover plate      |
| 6    | 7   | DZ52008 | Zeskantbout   | Hexagon bolt     |
| 7    | 1   | DZ52009 | Afdekplaat    | Cover plate      |
|      |     |         |               |                  |
|      |     |         |               |                  |
|      |     |         |               |                  |
|      |     |         |               |                  |
|      |     |         |               |                  |
|      |     |         |               |                  |
|      |     |         |               |                  |





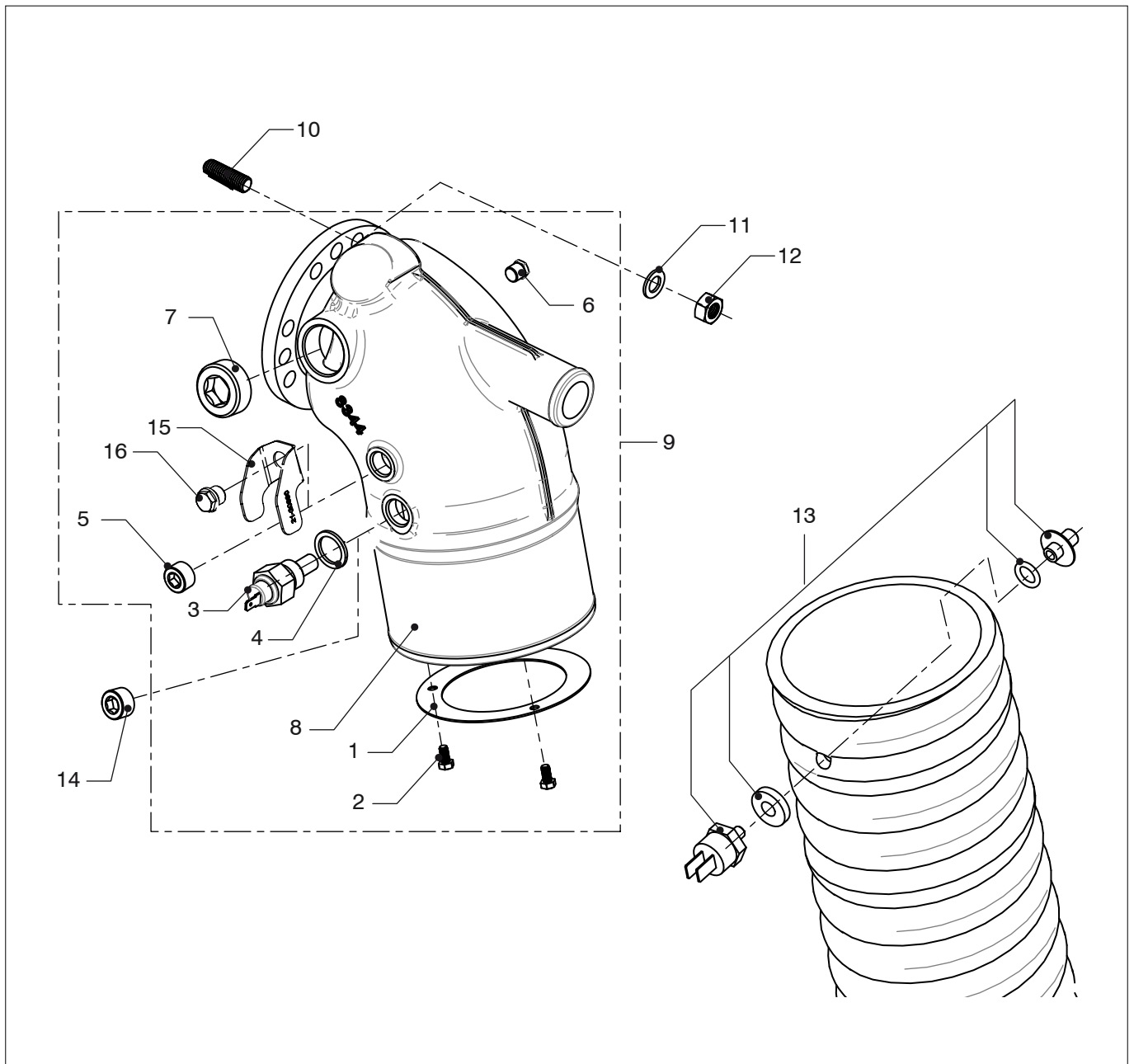
**VD4.120**

**VD4.140**

**Uitlaat injectiebocht**

**Exhaust elbow**

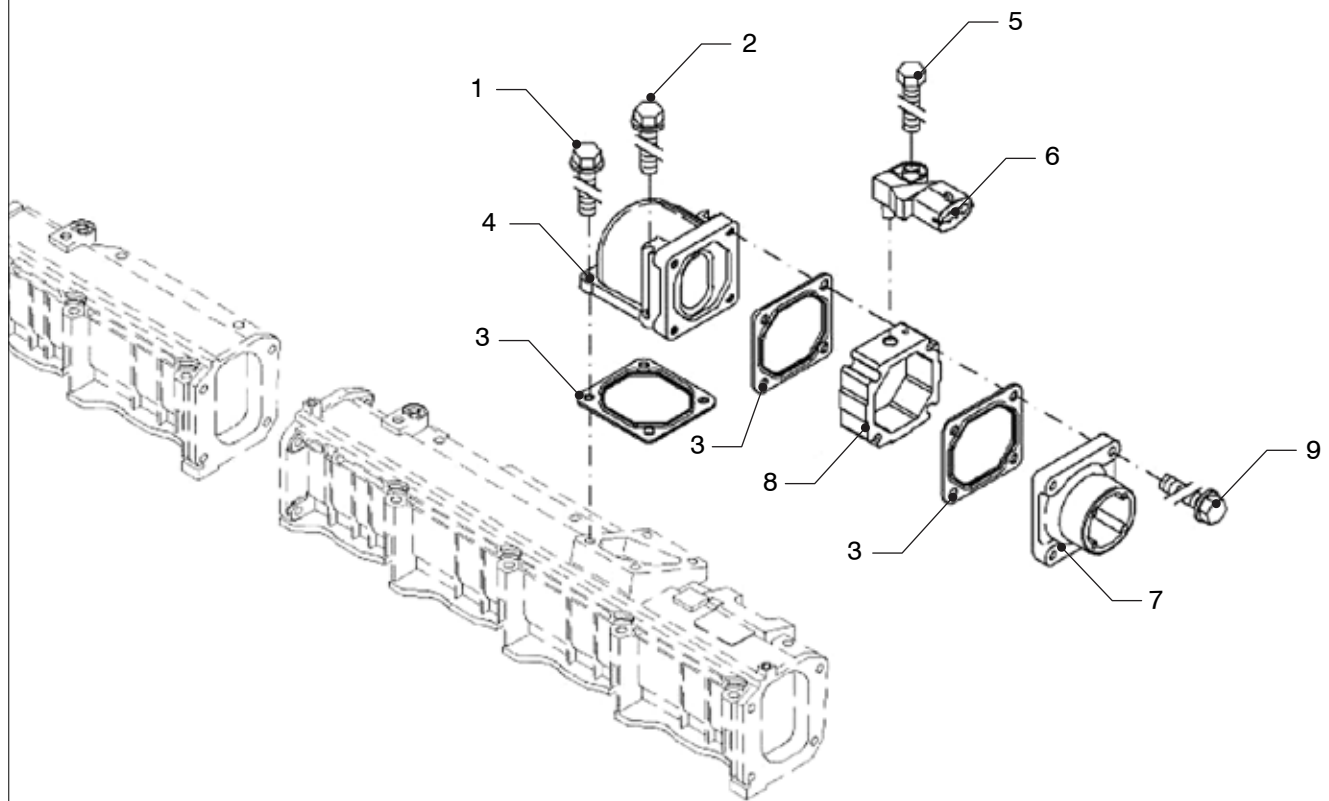
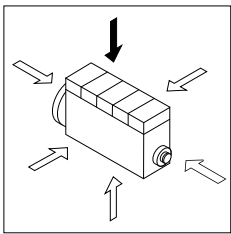
| pos. | qty | part      | benaming                                 | description                    |
|------|-----|-----------|--|--------------------------------|
| 1    | 1   | 16-4981   | Verdeler                                 | Diffuser                       |
| 2    | 1   | STM2006   | Temperatuur schakelaar 75°C enkelpolig   | Thermo switch 75°C single pole |
| 3    | 1   | STM2019   | Afdichtring M18                          | Seal washer M18                |
| 4    | 1   | STM3071   | Plug G 3/8                               | Plug G 3/8                     |
| 5    | 1   | STM4081   | Plug G 1/8                               | Plug G 1/8                     |
| 6    | 1   | STM8169   | Plug G 1                                 | Plug G 1                       |
| 7    | 1   | STM9619   | Uitlaat injectiebocht Ø 100mm (gietwerk) | Inj. elbow Ø 100mm (casting)   |
| 8    | 2   | B05105RT4 | Zeskantbout M5x10                        | Hexagon head screw M5x10       |
| 9    | 1   | 16-7476   | Uitlaat injectiebocht Ø 100 compleet     | Exhaust elbow Ø 100 cpl.       |
| 10   | 4   | STM9744   | Tapeind M8x25                            | Stud M8x25                     |
| 11   | 4   | R081Y     | Ring M8                                  | Washer M8                      |
| 12   | 4   | M08Y      | Moer M8                                  | Nut M8                         |
| 13   | 1   | STM9196   | Temperatuur schakelaar 71°C dubbelpolig  | Thermo switch 71°C double-pole |
| 14   | 1   | STM8179   | Plug M18 x 1,5                           | Plug M18 x 1,5                 |
| 15   | 1   | 21-20830  | Afscherming                              | Shield                         |
| 16   | 1   | STM7285   | Plug G 3/8                               | Plug G 3/8                     |



**VD6.170 VD6.210 Uitlaat injectiebocht**

**Exhaust elbow**

| pos. | qty | part     | benaming                                | description                            |
|------|-----|----------|---|--|
| 1    | 1   | 16-4720  | Verdeler                                | Diffuser                               |
| 2    | 2   | B05105YT | Zeskantbout M5x10                       | Hexagon head screw M5x10               |
| 3    | 1   | STM2006  | Temperatuur schakelaar 75°C enkelpolig  | Thermo switch 75°C single pole         |
| 4    | 1   | STM2019  | Afdichtring M18                         | Seal washer M18                        |
| 5    | 1   | STM3071  | Plug G3/8                               | Plug G3/8                              |
| 6    | 1   | STM4081  | Plug G1/8                               | Plug G 1/8                             |
| 7    | 1   | STM8169  | Plug G1                                 | Plug G 1                               |
| 8    | 1   | STM8344  | Uitlaat injectiebocht Ø125 (gietwerk)   | Exhaust injection elbow Ø125 (casting) |
| 9    | 1   | 16-6382  | Uitlaat injectiebocht Ø125 compleet     | Exhaust elbow Ø125 cpl.                |
| 10   | 4   | STM9680  | Tapeind M10x20                          | Stud M10x20                            |
| 11   | 4   | STM8390  | Ring M10                                | Washer M10                             |
| 12   | 4   | STM8764  | Moer M10                                | Nut M10                                |
| 13   | 1   | STM9196  | Temperatuur schakelaar 71°C dubbelpolig | Thermo switch 71°C double-pole         |
| 14   | 1   | STM8179  | Plug M18 x 1,5                          | Plug M18 x 1,5                         |
| 15   | 1   | 21-20830 | Afscherming                             | Shield                                 |
| 16   | 1   | STM7285  | Plug G 3/8                              | Plug G 3/8                             |



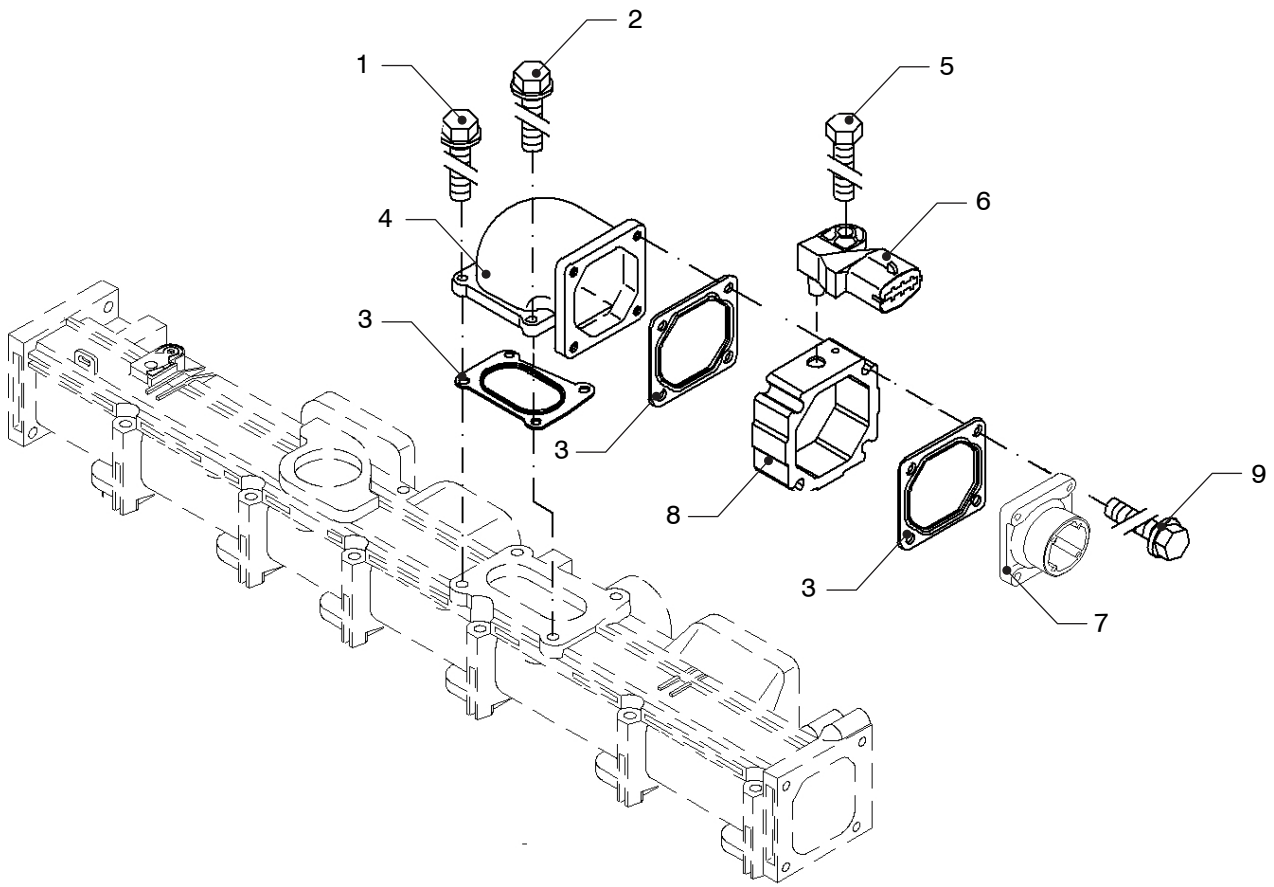
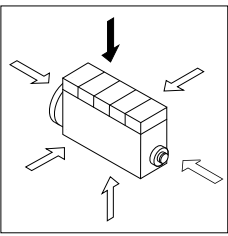
**VD4.120**

**VD4.140**

**Luchtinlaatbocht**

**Air intake elbow**

| pos. | qty | part           | benaming       | description      |
|------|-----|----------------|----------------|------------------|
| 1    | 2   | <b>DZ63003</b> | Zeskantbout    | Hexagon bolt     |
| 2    | 2   | <b>DZ63007</b> | Zeskantbout    | Hexagon bolt     |
| 3    | 3   | <b>DZ63002</b> | Pakking        | Gasket           |
| 4    | 1   | <b>DZ63005</b> | Laadluchtbocht | Charge air elbow |
| 5    | 1   | <b>DZ63032</b> | Zeskantbout    | Hexagon bolt     |
| 6    | 1   | <b>DZ63031</b> | Drukzender     | Pressure sensor  |
| 7    | 1   | <b>DZ63009</b> | Slangnippel    | Hose nipple      |
| 8    | 1   | <b>DZ63030</b> | Adapter        | Adapter          |
| 9    | 4   | <b>DZ63006</b> | Zeskantbout    | Hexagon bolt     |



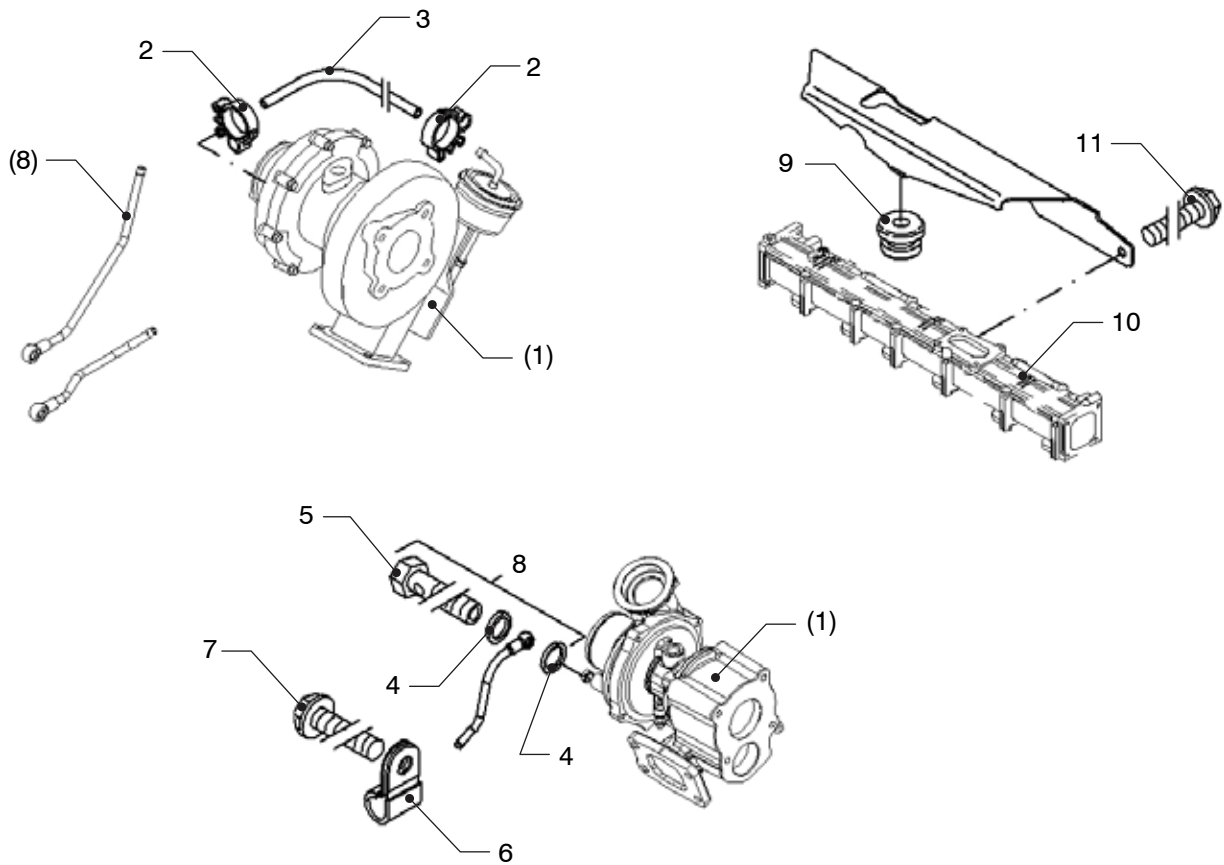
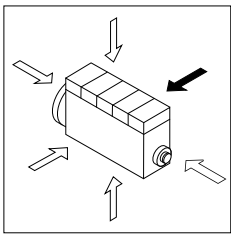
**VD6.170**

**VD6.210**

**Luchtinlaatbocht**

**Air intake elbow**

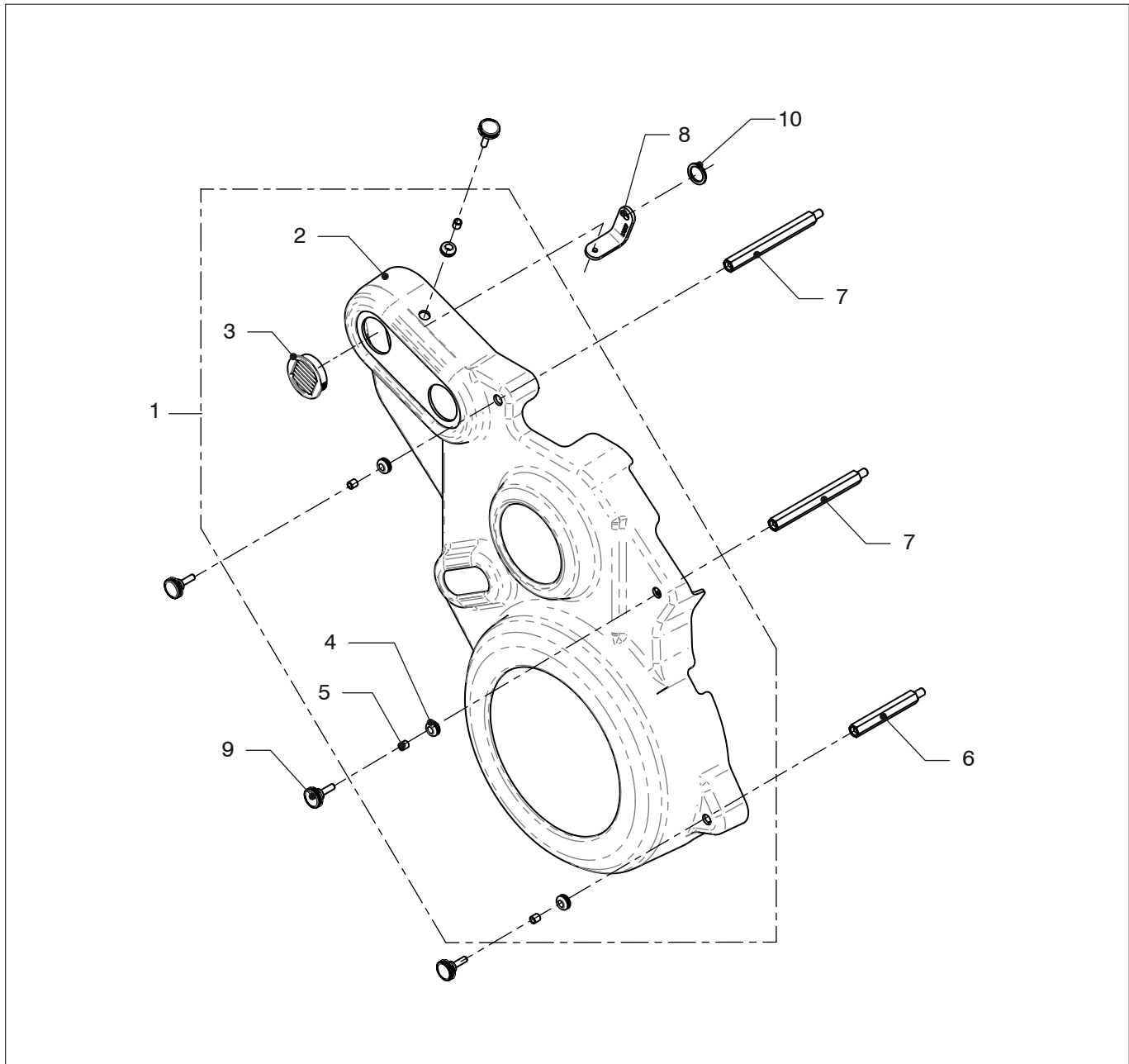
| pos. | qty | part    | benaming       | description      |
|------|-----|---------|----------------|------------------|
| 1    | 2   | DZ63003 | Zeskantbout    | Hexagon bolt     |
| 2    | 2   | DZ63007 | Zeskantbout    | Hexagon bolt     |
| 3    | 3   | DZ63002 | Pakking        | Gasket           |
| 4    | 1   | DZ63008 | Laadluchtbocht | Charge air elbow |
| 5    | 1   | DZ63032 | Zeskantbout    | Hexagon bolt     |
| 6    | 1   | DZ63031 | Drukzender     | Pressure sensor  |
| 7    | 1   | DZ63009 | Slangnippel    | Hose nipple      |
| 8    | 1   | DZ63030 | Adapter        | Adapter          |
| 9    | 4   | DZ63006 | Zeskantbout    | Hexagon bolt     |



**VD4.120**    **VD4.140**    **Turbo compressor**  
**VD6.170**    **VD6.210**

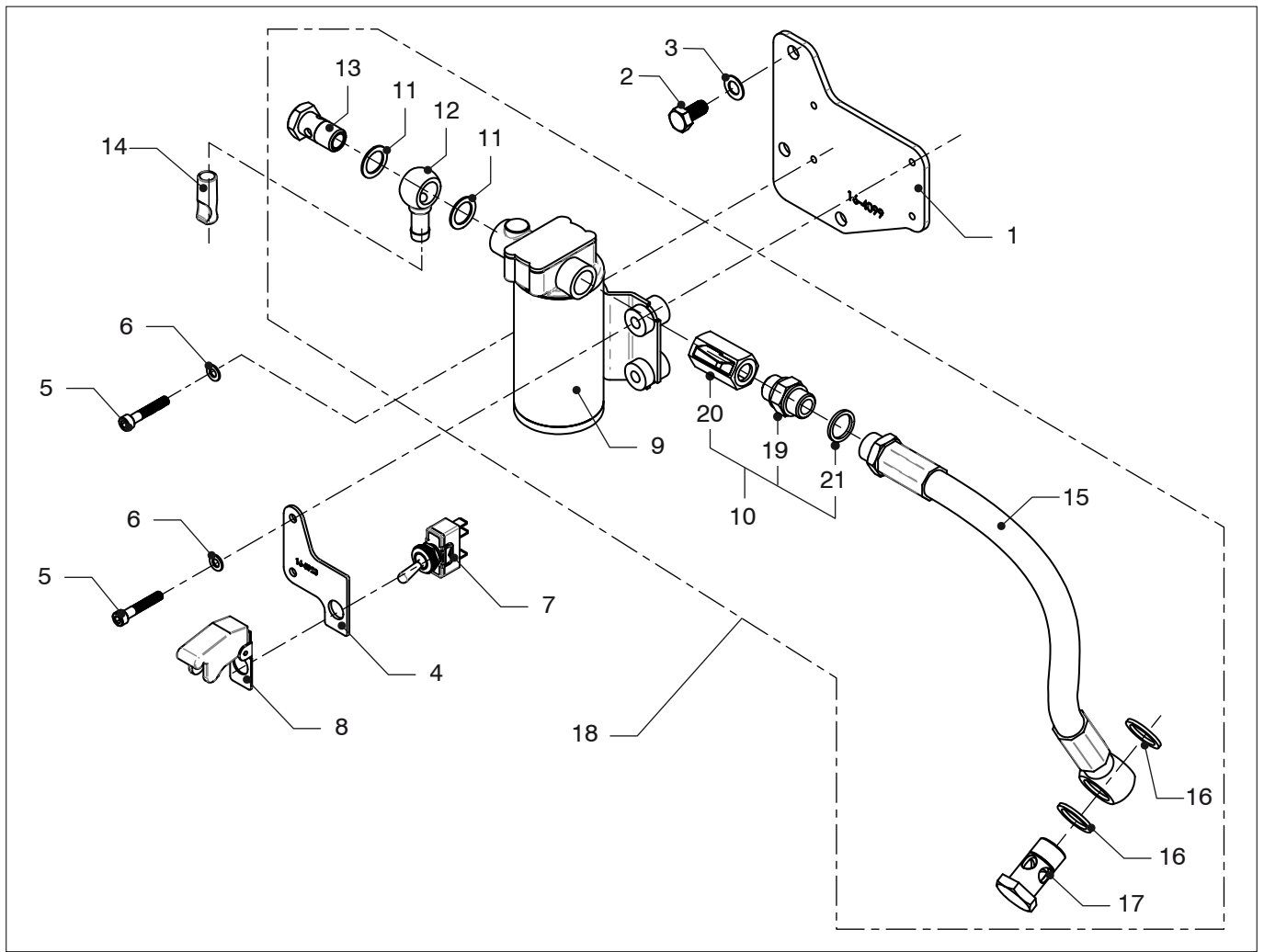
**Turbocharger**

| pos. | qty | part    | benaming     |     | description        |     |
|------|-----|---------|--------------|-----|--------------------|-----|
| 1    | 1   | DZ43001 | Turbocharger | VD4 | Turbocharger       | VD4 |
|      | 1   | DZ43002 | Turbocharger | VD6 | Turbocharger       | VD6 |
| 2    | 2   | DZ43041 | Slangklem    |     | Hose clip          |     |
| 3    | 1   | DZ43042 | Rubberslang  |     | Rubber hose        |     |
| 4    | 2   | DZ43050 | Afdichtring  |     | Sealing ring       |     |
| 5    | 1   | DZ43051 | Banjobout    |     | Banjo bolt         |     |
| 6    | 1   | DZ43052 | Leidingklem  |     | Pipe clamp         |     |
| 7    | 1   | DZ43053 | Zeskantbout  |     | Hexagon bolt       |     |
| 8    | 1   | DZ43056 | Stuurleiding |     | Pilot line         |     |
| 9    | 1   | DZ43047 | Rubber plug  |     | Rubber stop        |     |
| 10   | 1   | DZ43046 | Hitteschild  |     | Cooling air baffle |     |
| 11   | 3   | DZ43048 | Zeskantbout  |     | Hexagon bolt       |     |



|                |                |                    |                         |
|----------------|----------------|--------------------|-------------------------|
| <b>VD4.120</b> | <b>VD4.140</b> | <b>Afschermkap</b> | <b>Protection cover</b> |
| <b>VD6.170</b> | <b>VD6.210</b> |                    |                         |

| pos. | qty | part     | benaming             | description           |
|------|-----|----------|----------------------|-----------------------|
| 1    | 1   | 16-4507  | Afschermkap compleet | Protection cover cpl. |
| 2    | 1   | 16-4268  | Afschermkap          | Protection cover      |
| 3    | 2   | 16-6211  | Rooster              | Grid                  |
| 4    | 5   | 08-01495 | Rubber doorvoer      | Rubber tule           |
| 5    | 5   | 08-01496 | Bus l=8              | Bush l=8              |
| 6    | 2   | 16-5826  | Stud M8 l=90         | Stud M8 l=90          |
| 7    | 2   | 16-5855  | Stud M8 l=126        | Stud M8 l=126         |
| 8    | 1   | 16-5929  | Steun                | Support               |
| 9    | 5   | 08-01277 | Kartelknop M6        | Knurled screw M6      |
| 10   | 1   | CT30059  | Ring d=4             | Washer d=4            |



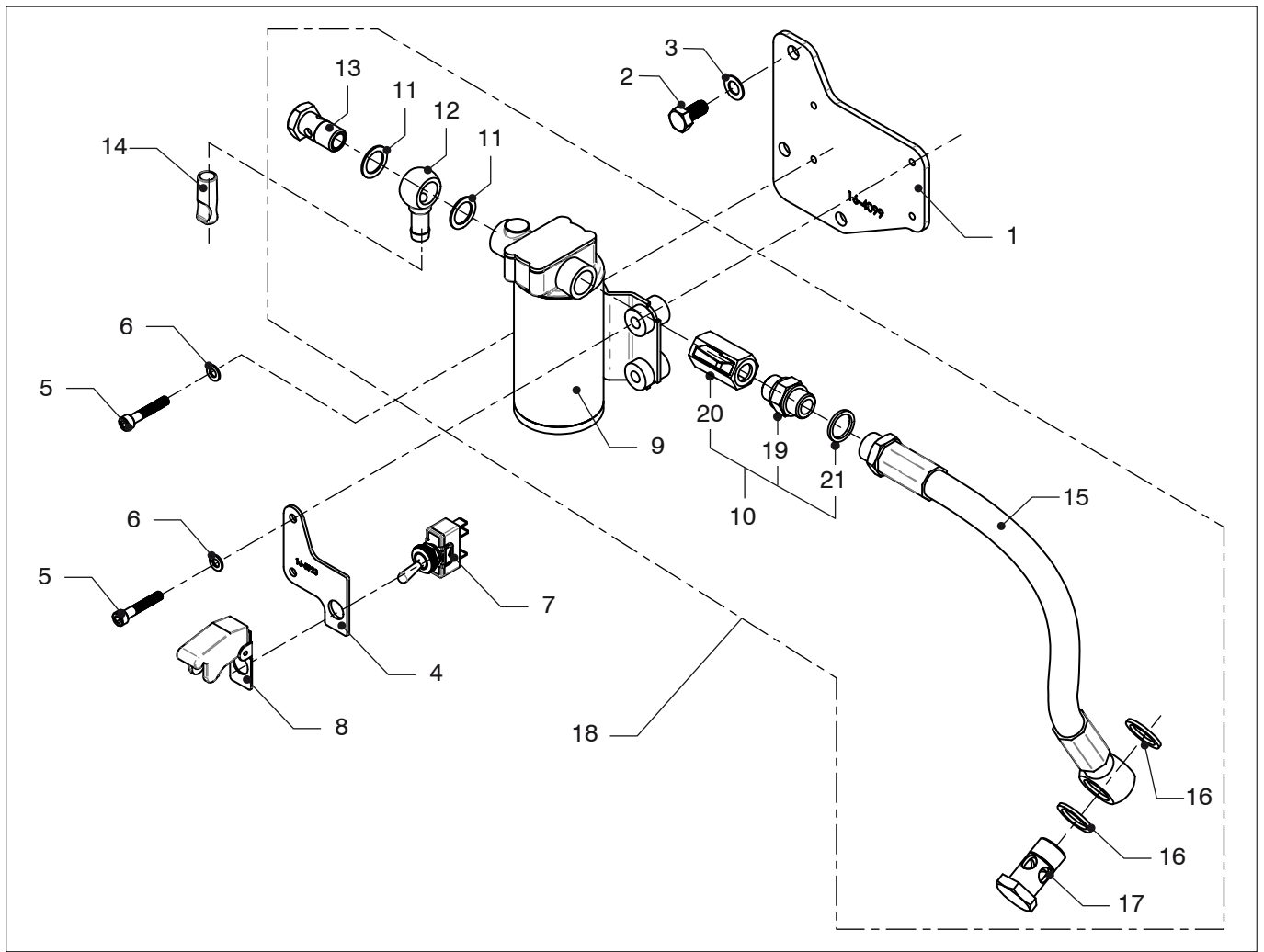
VD4.120

VD4.140

Electrische olie aftappomp

Elec. oil pump

| pos. | qty | part      | benaming               | description            |
|------|-----|-----------|------------------------|------------------------|
| 1    | 1   | 16-4099   | Steun                  | Support                |
| 2    | 3   | B08165YT  | Zeskantbout M8x16      | Hex head bolt M8x16    |
| 3    | 3   | R085Y     | Gegolfde veerring M8   | Wave spring washer M8  |
| 4    | 1   | 16-5920   | Steun                  | Bracket                |
| 5    | 4   | B05307Y   | Inbusbout M6x30        | Allen screw M6x30      |
| 6    | 4   | R051Y     | Ring M6                | Washer M6              |
| 7    | 1   | 16-5911   | Schakelaar             | Switch                 |
| 8    | 1   | 16-5888   | Veiligheidsklep        | Safety stop            |
| 9    | 1   | 16-4116   | Pomp 12V               | Pump 12V               |
|      | 1   | 17-9415   | Pomp 24V               | Pump 24V               |
| 10   | 1   | 22-23672  | Kogelkraan (->12-2022) | Ball valve (->12-2022) |
| 11   | 2   | R142010K  | Afdichtring            | Seal washer            |
| 12   | 1   | STM3695   | Banjo oog Ø10mm        | Banjo eye Ø10mm        |
| 13   | 1   | STM3518   | Banjo-Bout M14         | Banjo-bolt M14         |
| 14   | 1   | GFEC010PY | Dop                    | Cap                    |
| 15   | 1   | 16-5227   | Slang                  | Hose                   |
| 16   | 2   | STM2019   | Afdichtring M18        | Seal washer M18        |
| 17   | 1   | STM8168   | Banjo-bout M18         | Banjo-bolt M18         |
| 18   | 1   | 16-7478   | Pomp assy 12V          | Pump assy 12V          |
|      | 1   | 17-11213  | Pomp assy 24V          | Pump assy 24V          |
| 19   | 1   | 22-23347  | Nippel                 | Nipple                 |
| 20   | 1   | 22-23348  | Kogelkraan G3/8        | Ball valve G3/8        |
| 21   | 1   | 22-23671  | Afdichtring            | Seal washer            |



VD6.170

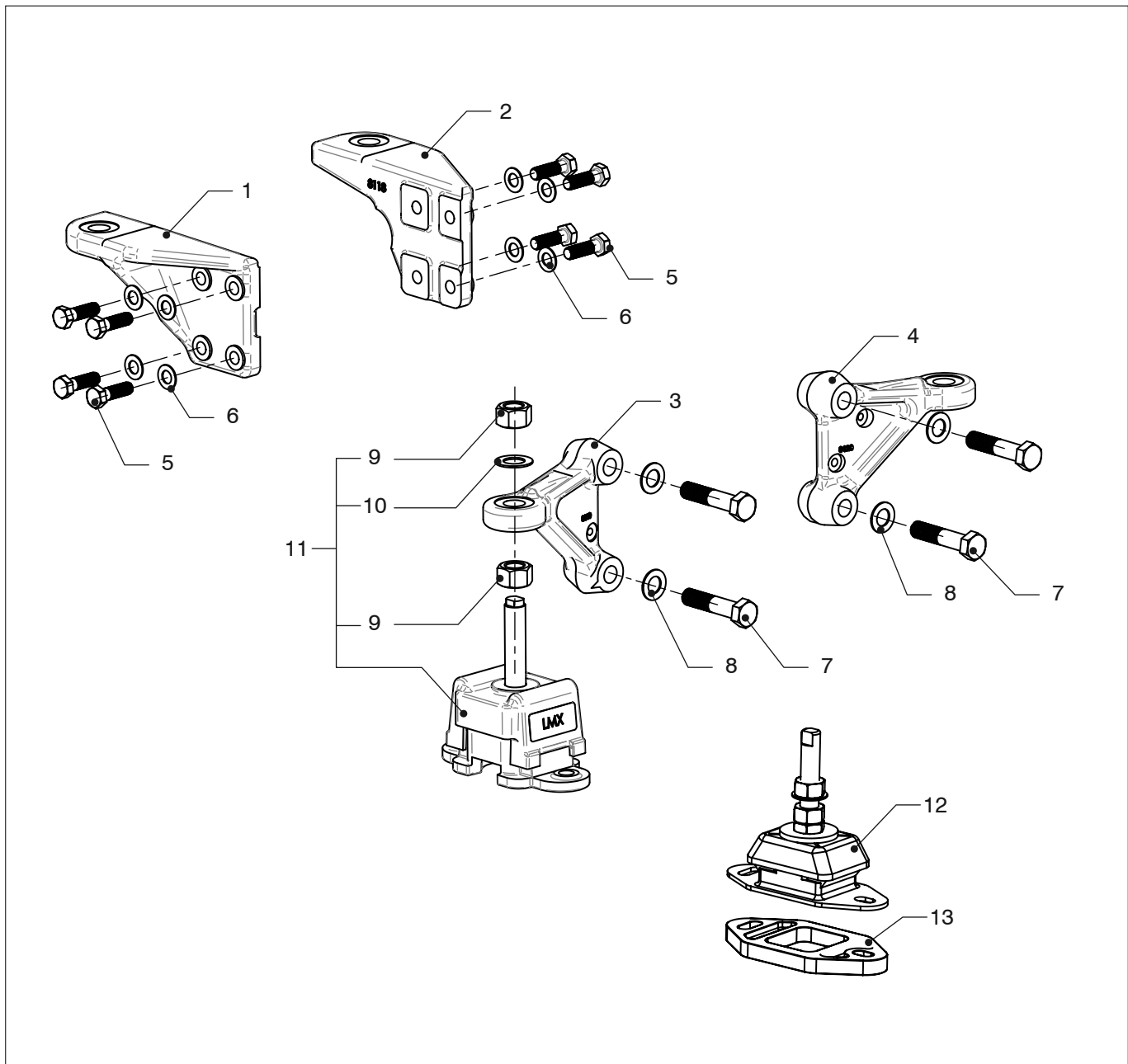
VD6.210

Electrische olie aftappomp

Elec. oil pump

| pos. | qty | part      | benaming               | description            |
|------|-----|-----------|------------------------|------------------------|
| 1    | 1   | 16-4099   | Steun                  | Support                |
| 2    | 3   | B08165YT  | Zeskantbout M8x16      | Hex head bolt M8x16    |
| 3    | 3   | R085Y     | Gegolfde veerring M8   | Wave spring washer M8  |
| 4    | 1   | 16-5920   | Steun                  | Bracket                |
| 5    | 4   | B05307Y   | Inbusbout M6x30        | Allen screw M6x30      |
| 6    | 4   | R051Y     | Ring M6                | Washer M6              |
| 7    | 1   | 16-5911   | Schakelaar             | Switch                 |
| 8    | 1   | 16-5888   | Veiligheidsklep        | Safety stop            |
| 9    | 1   | 16-4116   | Pomp 12V               | Pump 12V               |
|      | 1   | 17-9415   | Pomp 24V               | Pump 24V               |
| 10   | 1   | 22-23672  | Kogelkraan (->12-2022) | Ball valve (->12-2022) |
| 11   | 2   | R142010K  | Afdichtring            | Seal washer            |
| 12   | 1   | STM3695   | Banjo oog Ø10mm        | Banjo eye Ø10mm        |
| 13   | 1   | STM3518   | Banjo-Bout M14         | Banjo-bolt M14         |
| 14   | 1   | GFEC010PY | Dop                    | Cap                    |
| 15   | 1   | 16-5181   | Slang                  | Hose                   |
| 16   | 2   | STM2019   | Afdichtring M18        | Seal washer M18        |
| 17   | 1   | STM8168   | Banjo-bout M18         | Banjo-bolt M18         |
| 18   | 1   | 16-6079   | Pomp assy 12V          | Pump assy 12V          |
|      | 1   | 17-9416   | Pomp assy 24V          | Pump assy 24V          |
| 19   | 1   | 22-23347  | Nippel                 | Nipple                 |
| 20   | 1   | 22-23348  | Kogelkraan G3/8        | Ball valve G3/8        |
| 21   | 1   | 22-23671  | Afdichtring            | Seal washer            |



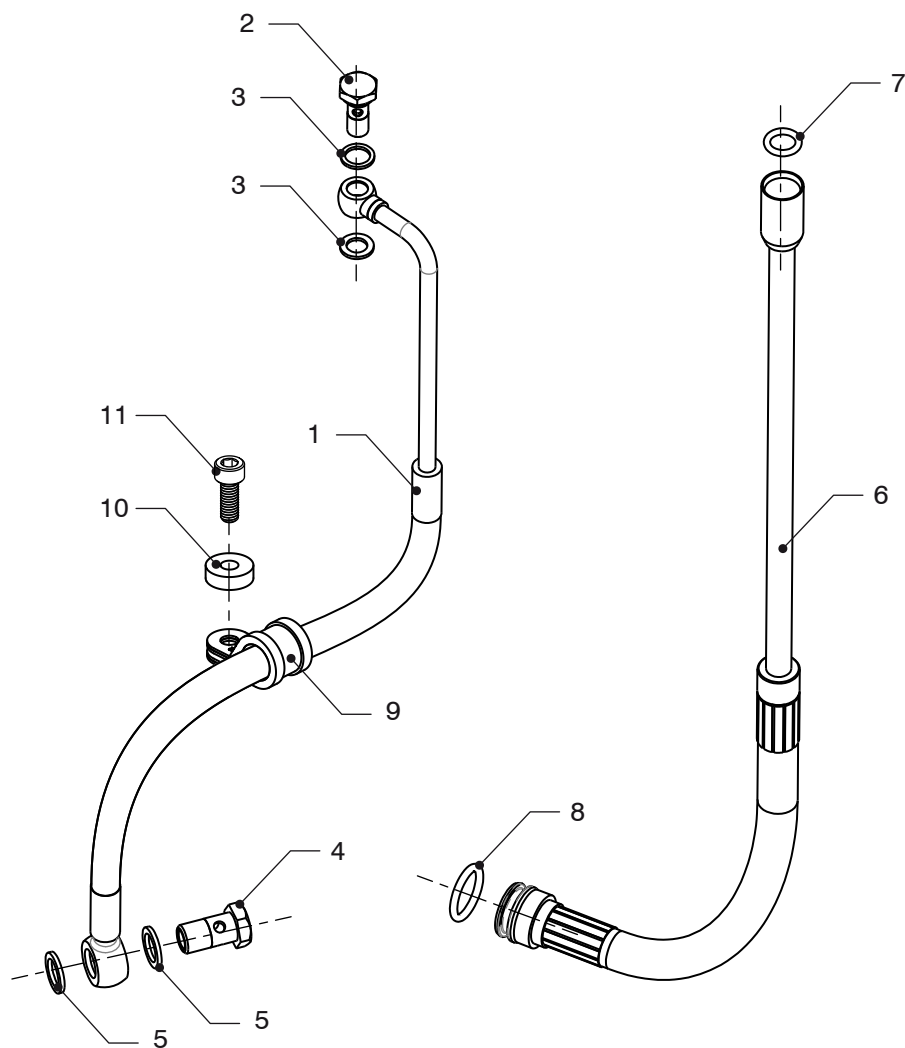


**VD4.120**   **VD4.140**  
**VD6.170**   **VD6.210**

**Motorsteunen**

**Engine supports**

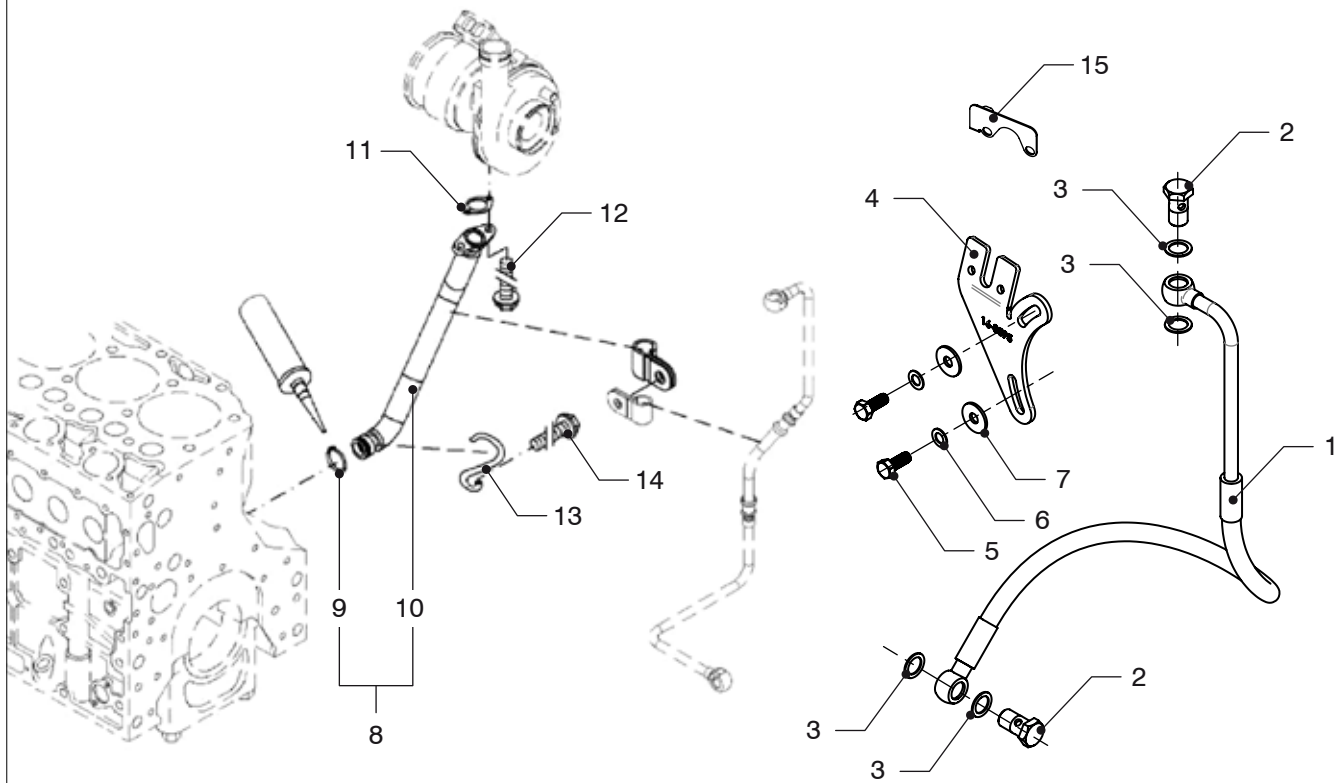
| pos. | qty | part           | benaming                           | description                                   |
|------|-----|----------------|------------------------------------|---|
| 1    | 1   | <b>STM8117</b> | Motorsteun SB                      | Engine support SB                             |
| 2    | 1   | <b>STM8118</b> | Motorsteun BB                      | Engine support PS                             |
| 3    | 1   | <b>STM8119</b> | Motorsteun SB                      | Engine support SB                             |
| 4    | 1   | <b>STM8120</b> | Motorsteun BB                      | Engine support PS                             |
| 5    | 8   | <b>B12405Y</b> | Zeskantbout M12x40                 | Hex head bolt M8x40                           |
| 6    | 8   | <b>R125Y</b>   | Gegolfde veerring M12              | Wave spring washer M12                        |
| 7    | 4   | <b>B16755Y</b> | Zeskantbout M16x75                 | Hex head bolt M16x75                          |
| 8    | 4   | <b>R165Y</b>   | Gegolfde veerring M16              | Wave spring washer M16                        |
| 9    | 4   | <b>M20Y</b>    | Moer M20                           | Nut M20                                       |
| 10   | 8   | <b>R205Y</b>   | Gegolfde veerring M20              | Wave spring washer M20                        |
| 11   | 4   | <b>LMX140</b>  | Trillingdemper VD4                 | Flexible engine mounting VD4                  |
|      | 4   | <b>LMX210</b>  | Trillingdemper VD6                 | Flexible engine mounting VD6                  |
| 12   | 4   | <b>STM9793</b> | Trillingdemper VD4 (stuwdruklager) | Flexible engine mounting VD4 (thrust bearing) |
| 13   | 4   | <b>STM9794</b> | Vulplaat 15mm                      | Spacer plate 15mm                             |



**VD4.120 VD4.140 Turbo olieleidingen**

**Turbo oil lines**

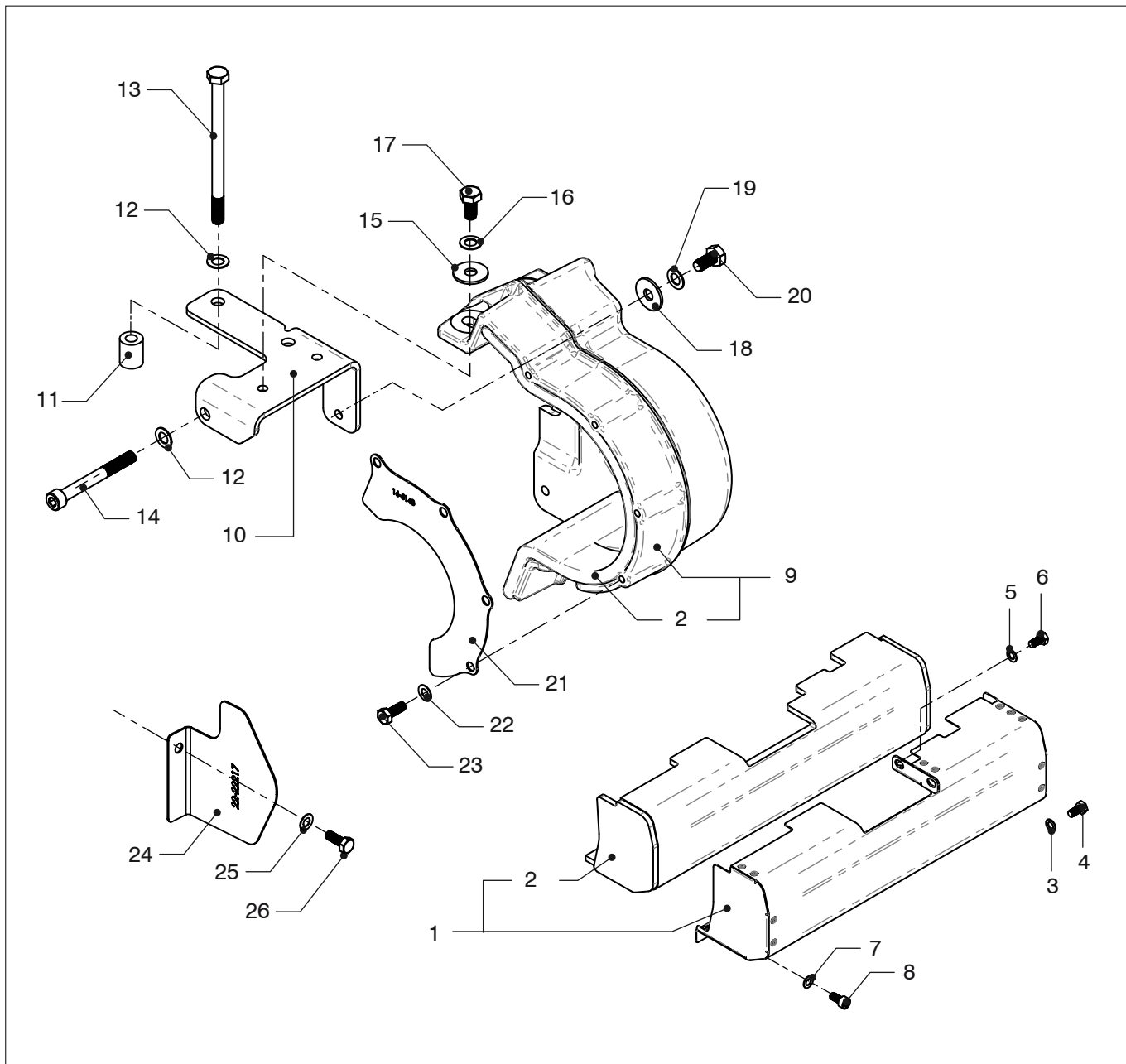
| pos. | qty | part            | benaming                    | description                 |
|------|-----|-----------------|-----------------------------|-----------------------------|
| 1    | 1   | <b>17-7378</b>  | Turbo olietoevoerleiding    | Turbo oil feed pipe         |
| 2    | 1   | <b>17-9742</b>  | Banjo bout M10x1            | Banjo bolt M14x1            |
| 3    | 2   | <b>R121615K</b> | Afdichtring M12             | Seal washer M12             |
| 4    | 1   | <b>STM3518</b>  | Banjo bout M14x1,5          | Banjo bolt M14x1.5          |
| 5    | 2   | <b>R142020K</b> | Afdichtring M14             | Seal washer M14             |
| 6    | 1   | <b>16-7161</b>  | Turbo olieterugloopleiding  | Turbo oil return line       |
| 7    | 1   | <b>17-10209</b> | O-ring Ø 12 x Ø 3 FPM       | O-ring Ø 12 x Ø 3 FPM       |
| 8    | 1   | <b>16-6977</b>  | O-ring Ø 21,82 x Ø 3,53 FPM | O-ring Ø 21.82 x Ø 3.53 FPM |
| 9    | 1   | <b>STM3066</b>  | Klem RSGU 1-15              | Clamp RSGU 1-15             |
| 10   | 1   | <b>08-01389</b> | Ring d=5                    | Washer d=5                  |
| 11   | 1   | <b>B06167Y</b>  | Inbusbout M6x16             | Allen bolt M6x16            |



**VD6.170 VD6.210 Turbo olieleiding**

**Turbo oil line**

| pos. | qty | part            | benaming                         | description                 |
|------|-----|-----------------|----------------------------------|-----------------------------|
| 1    | 1   | <b>16-5451</b>  | Turbo olietoevoerleiding         | Turbo oil feed pipe         |
| 2    | 2   | <b>STM3518</b>  | Banjo bout M14x1,5               | Banjo bolt M14x1.5          |
| 3    | 4   | <b>R142010K</b> | Afdichtring M14                  | Seal washer M14             |
| 4    | 1   | <b>16-3595</b>  | Steun actuator                   | Support actuator            |
| 5    | 2   | <b>B08205YT</b> | Bout M8x20                       | Hex head bolt M8x20         |
| 6    | 2   | <b>R085Y</b>    | Gegolfde veerring M8             | Wave spring washer M8       |
| 7    | 2   | <b>STM3749</b>  | Ring Ø24 dikte=1,6               | Washer Ø24 thickness=1.6    |
| 8    | 1   | <b>DM10032</b>  | Turbo olieterugloopleiding (2+3) | Oil turbo return line (2+3) |
| 9    | 1   | <b>DM10160</b>  | O-ring                           | O-ring                      |
| 10   | 1   | <b>DM10032</b>  | Olieterugloopleiding             | Oil return line             |
| 11   | 1   | <b>17-10187</b> | Pakking                          | Gasket                      |
| 12   | 2   | <b>DM10161</b>  | Bout                             | Bolt                        |
| 13   | 1   | <b>DM10162</b>  | Borgklem                         | Retainer                    |
| 14   | 1   | <b>DM10164</b>  | Bout                             | Bolt                        |
| 15   | 1   | <b>21-21053</b> | Afstelplaat                      | Adjusting plate             |



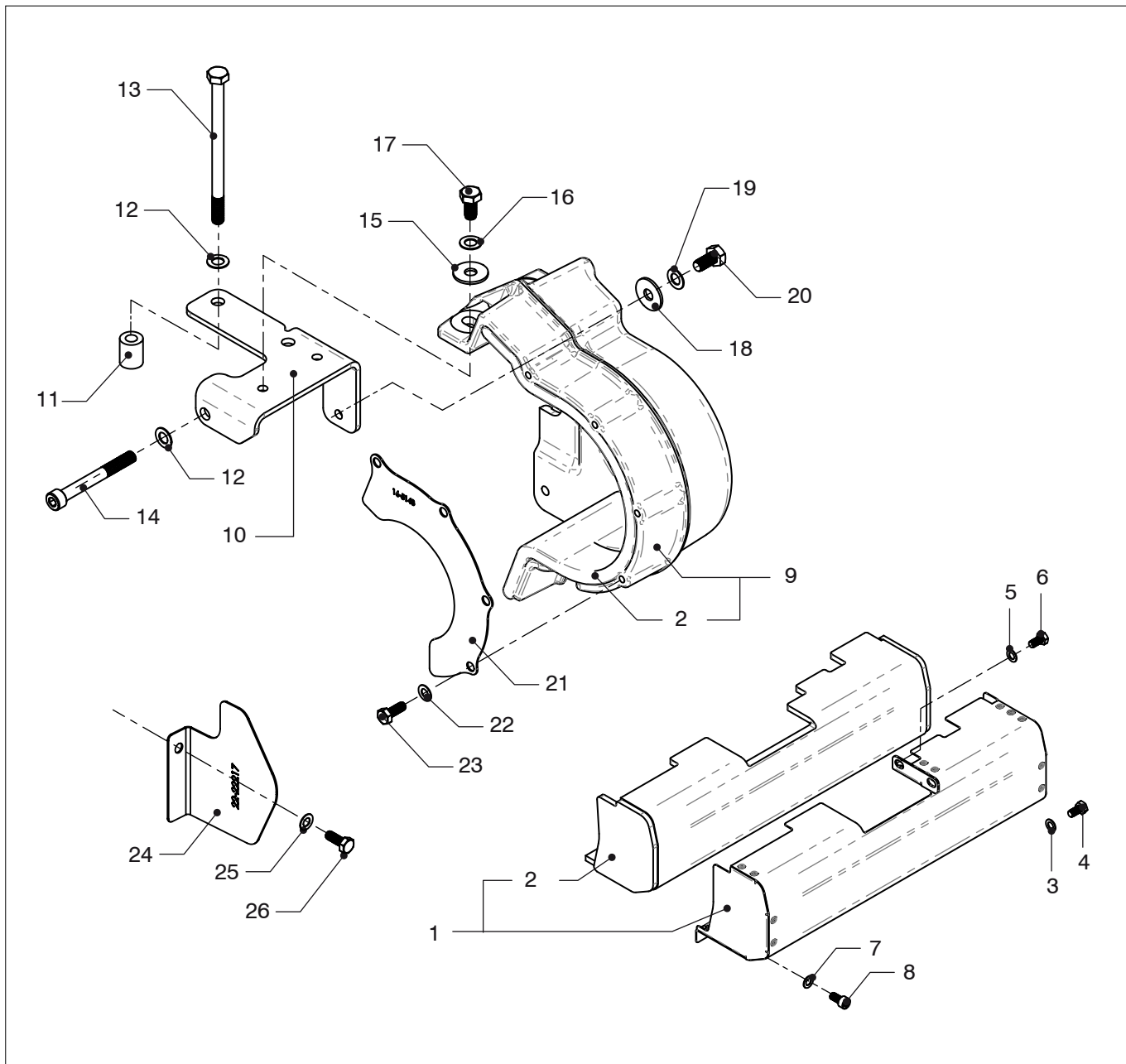
VD4.120

VD4.140

Uitlaatisolatie + turbo isolatie

Exhaust isolation + turbo insulation

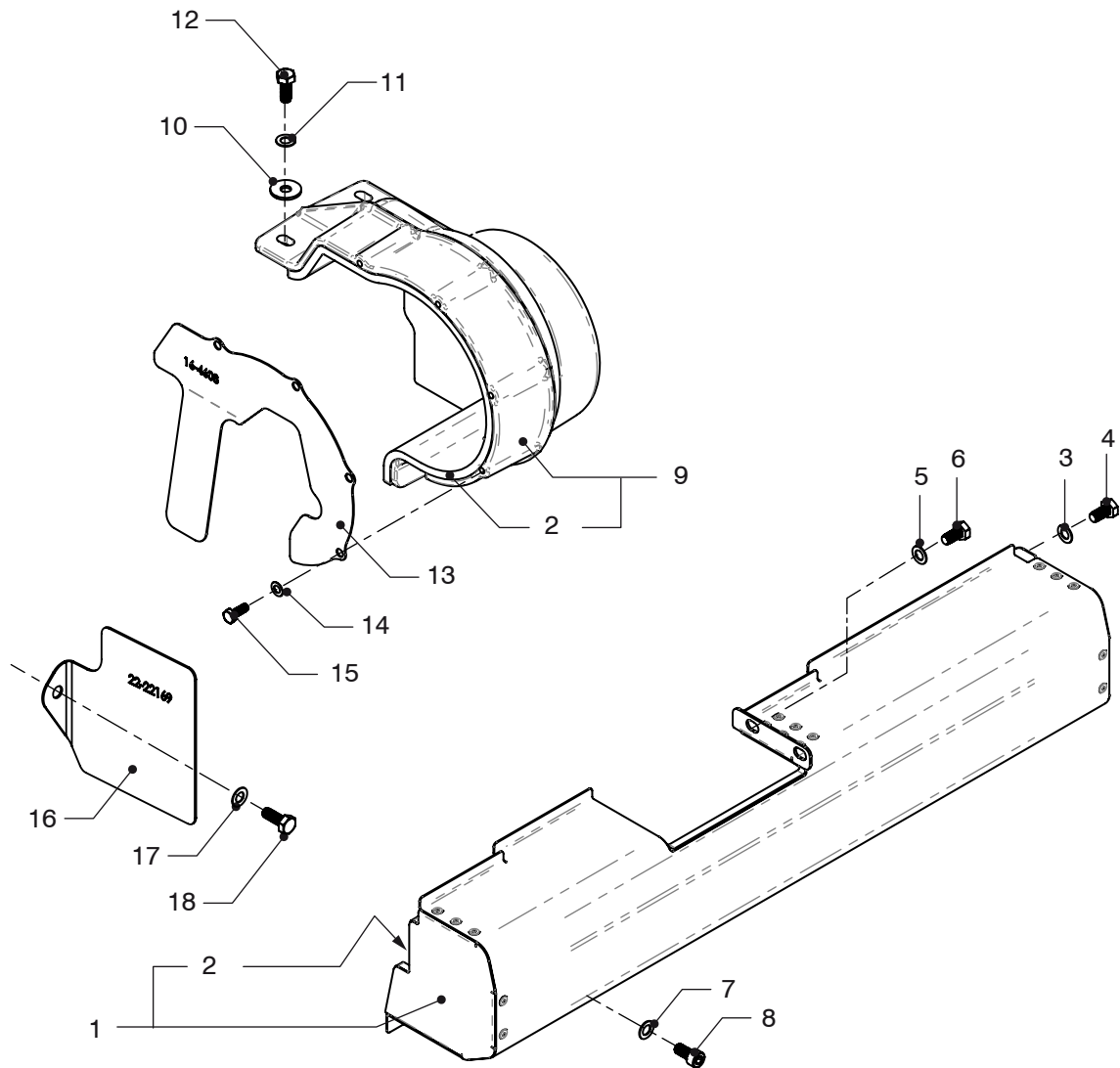
| pos. | qty | part     | benaming                       | description           |
|------|-----|----------|--------------------------------|-----------------------|
| 1    | 1   | 16-6320  | Uitlaatspruitstuk isolatiekast | Exhaust isolation box |
| 2    | 1   | STM9871  | Isolatiemat                    | Isolation mat         |
| 3    | 2   | R085Y    | Gegolfde veerring M8           | Wave spring washer M8 |
| 4    | 2   | B08165YT | Zeskantbout M8x16              | Hex head bolt M8x16   |
| 5    | 2   | R085Y    | Gegolfde veerring M8           | Wave spring washer M8 |
| 6    | 2   | B08165YT | Zeskant bout M8x16             | Hex head bolt M8x16   |
| 7    | 4   | R085Y    | Gegolfde veerring M8           | Wave spring washer M8 |
| 8    | 4   | B08167Y  | Inbusbout M8x16                | Allen bolt M8x16      |
| 9    | 1   | 16-7475  | Turbo isolatiekast             | Turbo isolation box   |
| 10   | 1   | 16-5023  | Steun                          | Support               |
| 11   | 2   | 16-5024  | Bus l=20                       | Bush l=20             |
| 12   | 3   | R085Y    | Gegolfde veerring M8           | Wave spring washer M8 |
| 13   | 2   | B081205Y | Zeskantbout M8x120             | Hex head bolt M8x120  |
| 14   | 1   | B08707Y  | Inbusbout M8x70                | Allen bolt M8x70      |
| 15   | 2   | R082Y    | Ring                           | Washer                |
| 16   | 2   | R085Y    | Gegolfde veerring M8           | Wave spring washer M8 |



**VD4.120 VD4.140 Uitlaatisolatie + turbo isolatie**

**Exhaust isolation + turbo insulation**

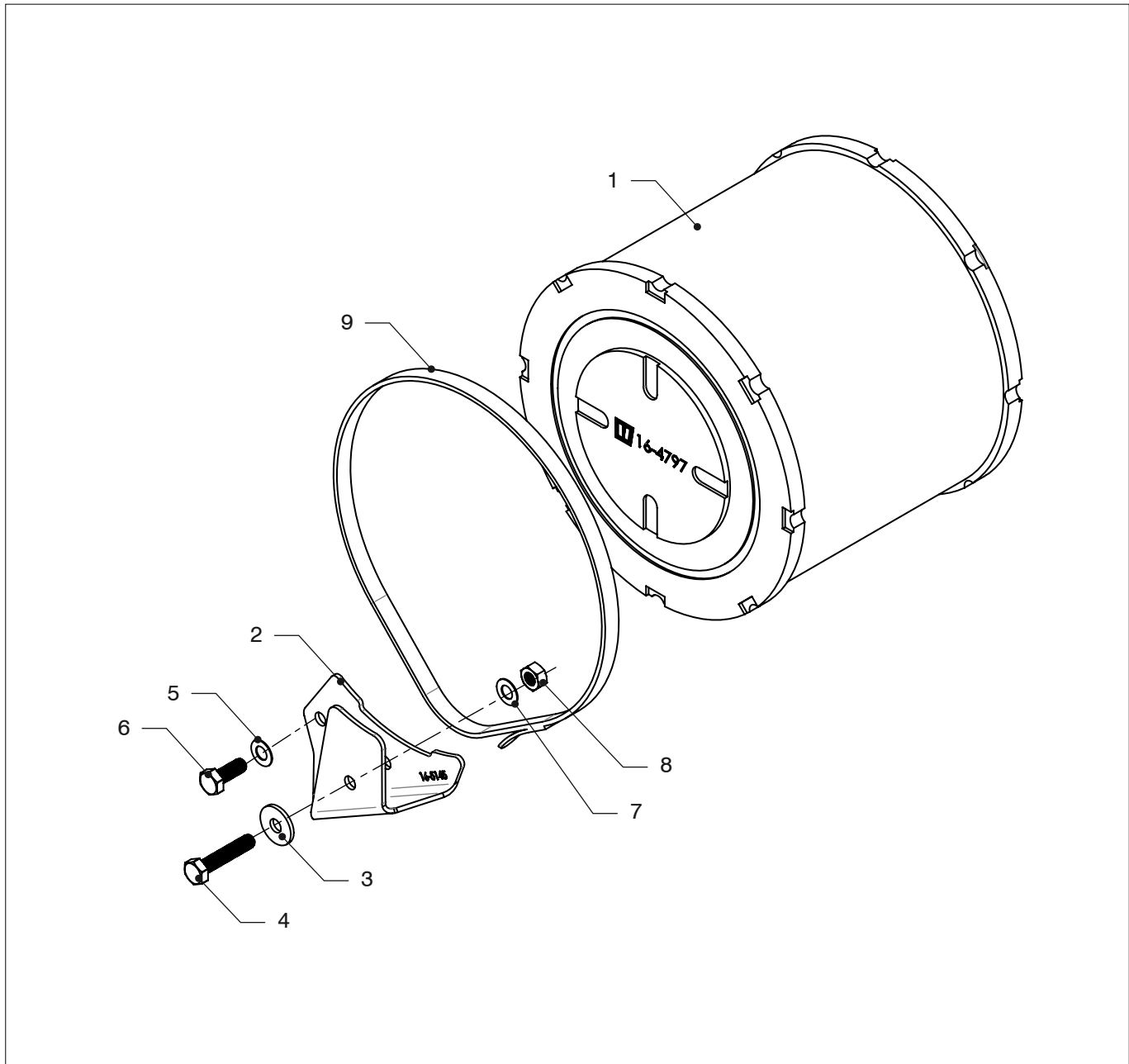
| pos. | qty | part            | benaming             | description           |
|------|-----|-----------------|----------------------|-----------------------|
| 17   | 2   | <b>B08165YT</b> | Zeskantbout M8x16    | Hex head bolt M8x16   |
| 18   | 1   | <b>R082Y</b>    | Ring                 | Washer                |
| 19   | 1   | <b>R085Y</b>    | Gegolfde veerring M8 | Wave spring washer M8 |
| 20   | 1   | <b>B08165YT</b> | Zeskantbout M8x16    | Hex head bolt M8x16   |
| 21   | 1   | <b>16-5143</b>  | Afschermplaat        | Protection plate      |
| 22   | 4   | <b>R065Y</b>    | Gegolfde veering M6  | Wave spring washer M6 |
| 23   | 4   | <b>B06165YT</b> | Zeskantbout M6x16    | Hex head bolt M6x16   |
| 24   | 1   | <b>22-22217</b> | Afscherming          | Shield                |
| 25   | 1   | <b>STM1025</b>  | Gegolfde veerring M6 | Wave spring washer M6 |
| 26   | 1   | <b>STM1024</b>  | Bout M6x16           | Bolt M6x16            |



**VD6.170 VD6.210 Uitlaatisolatie + turbo isolatie**

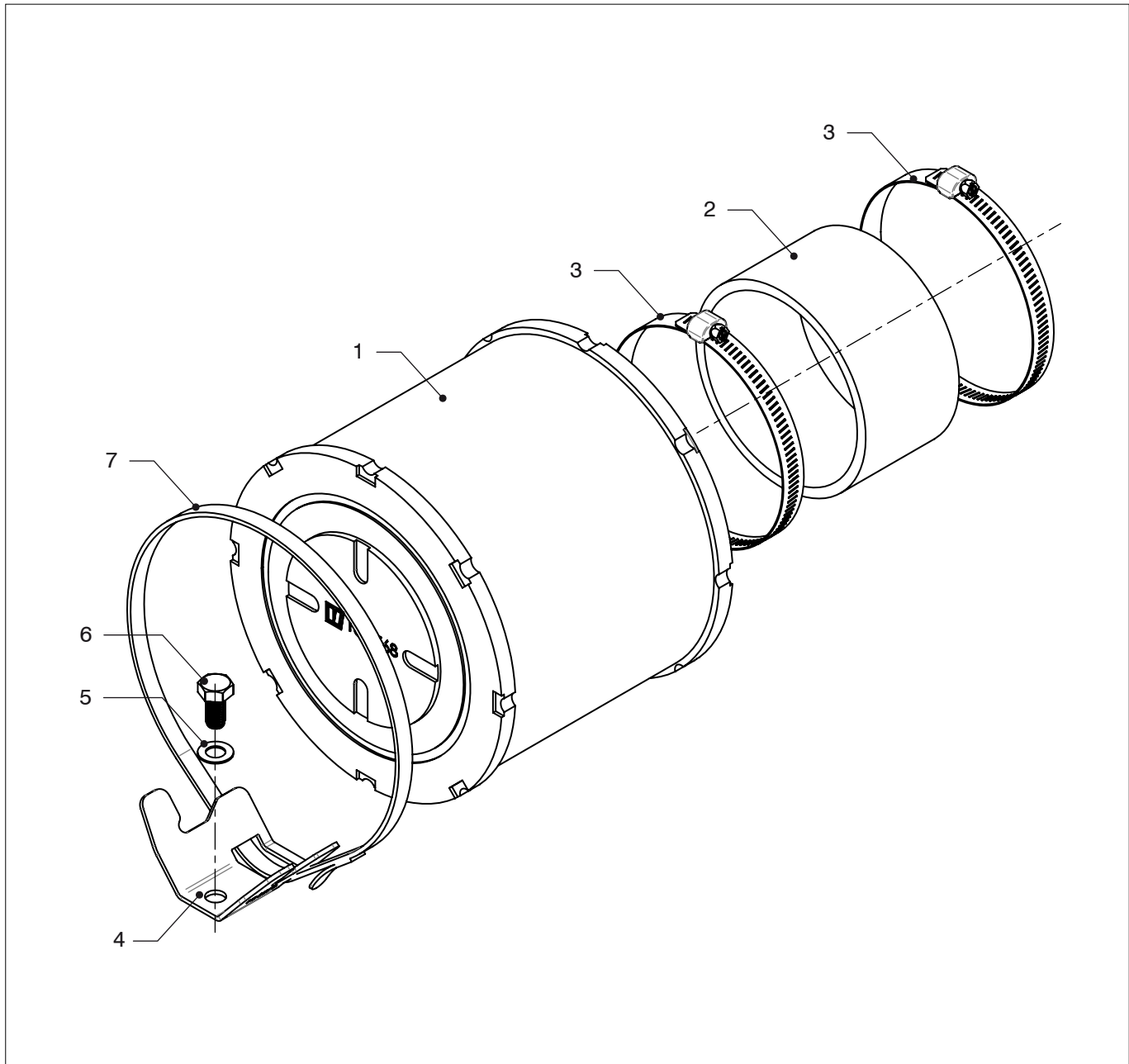
**Exhaust isolation + turbo insulation**

| pos. | qty | part     | benaming                       | description           |
|------|-----|----------|--------------------------------|-----------------------|
| 1    | 1   | 16-5618  | Uitlaatspruitstuk isolatiekast | Exhaust isolation box |
| 2    | 1   | STM9871  | Isolatiemat                    | Isolation mat         |
| 3    | 2   | R085Y    | Gegolfde veerring M8           | Wave spring washer M8 |
| 4    | 2   | B08165YT | Zeskantbout M8x16              | Hex head bolt M8x16   |
| 5    | 2   | R085Y    | Gegolfde veerring M8           | Wave spring washer M8 |
| 6    | 2   | B08165YT | Zeskant bout M8x16             | Hex head bolt M8x16   |
| 7    | 5   | R085Y    | Gegolfde veerring M8           | Wave spring washer M8 |
| 8    | 5   | B08167Y  | Inbusbout M8x16                | Allen bolt M8x16      |
| 9    | 1   | 16-6381  | Turbo isolatiekast             | Turbo isolation box   |
| 10   | 2   | STM3749  | Ring                           | Washer                |
| 11   | 2   | R085Y    | Gegolfde veerring M8           | Wave spring washer M8 |
| 12   | 2   | B08205YT | Zeskantbout M8x20              | Hex head bolt M8x20   |
| 13   | 1   | 16-4608  | Afschermplaat                  | Protection plate      |
| 14   | 4   | R065Y    | Gegolfde veerring M6           | Wave spring washer M6 |
| 15   | 4   | B06165YT | Zeskantbout M6x16              | Hex head bolt M6x16   |
| 16   | 1   | 22-22169 | Afscherming                    | Shield                |
| 17   | 1   | STM1025  | Gegolfde veerring M6           | Wave spring washer M6 |
| 18   | 1   | STM1024  | Bout M6x16                     | Bolt M6x16            |



**VD4.120    VD4.140    Luchtfilter    Air cleaner**

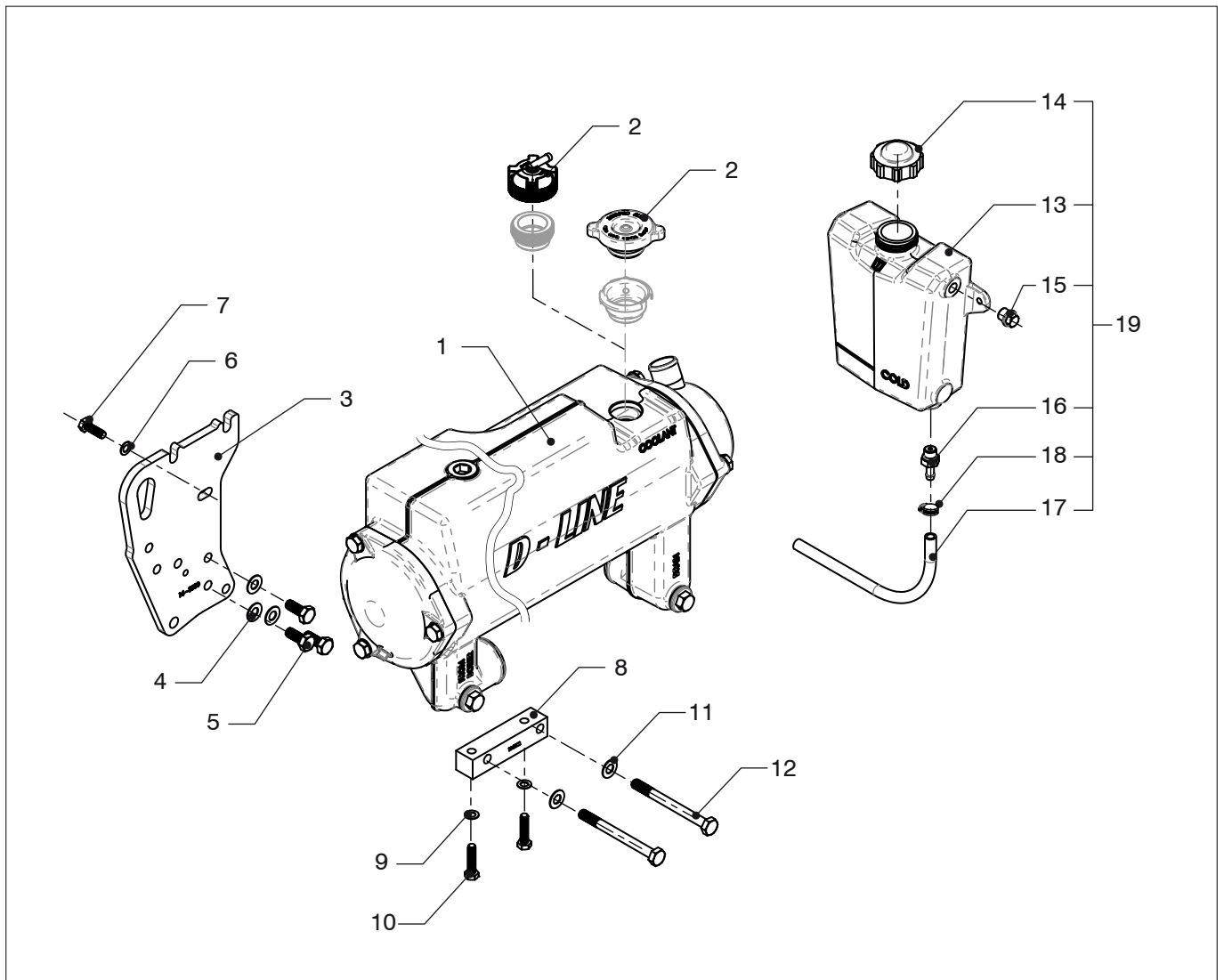
| pos. | qty | part     | benaming             | description           |
|------|-----|----------|----------------------|-----------------------|
| 1    | 1   | 16-4797  | Luchtfilter element  | Air filter element    |
| 2    | 1   | 16-5145  | Steun                | Support               |
| 3    | 2   | R065Y    | Gegolfde veerring M6 | Wave spring washer M6 |
| 4    | 2   | B06165YT | Zeskantbout M6x16    | Hex head bolt M6x16   |
| 5    | 1   | R062Y    | Ring M6              | Washer M6             |
| 6    | 1   | B06305YT | Zeskantbout M6x30    | Hex head bolt M6x30   |
| 7    | 1   | R065Y    | Gegolfde veerring M6 | Wave spring washer M6 |
| 8    | 1   | M06Y     | Moer M6              | Nut M6                |
| 9    | 1   | 16-5172  | Binder               | Tie                   |
|      |     |          |                      |                       |
|      |     |          |                      |                       |
|      |     |          |                      |                       |
|      |     |          |                      |                       |
|      |     |          |                      |                       |



**VD6.170    VD6.210    Luchtfilter    Air cleaner**

| pos. | qty | part     | benaming             | description           |
|------|-----|----------|----------------------|-----------------------|
| 1    | 1   | 15-2768  | Luchtfilter element  | Air filter element    |
| 2    | 1   | 16-3370  | Slang                | Hose clamp            |
| 3    | 2   | SLKL90   | Slangklem            | Hose clamp            |
| 4    | 1   | 16-3373  | Steun                | Support               |
| 5    | 2   | R085Y    | Gegolfde veerring M8 | Wave spring washer M8 |
| 6    | 2   | B08165YT | Zeskantbout M8x16    | Hex head bolt M8x16   |
| 7    | 1   | 16-5172  | Binder               | Tie                   |
|      |     |          |                      |                       |
|      |     |          |                      |                       |
|      |     |          |                      |                       |
|      |     |          |                      |                       |
|      |     |          |                      |                       |
|      |     |          |                      |                       |

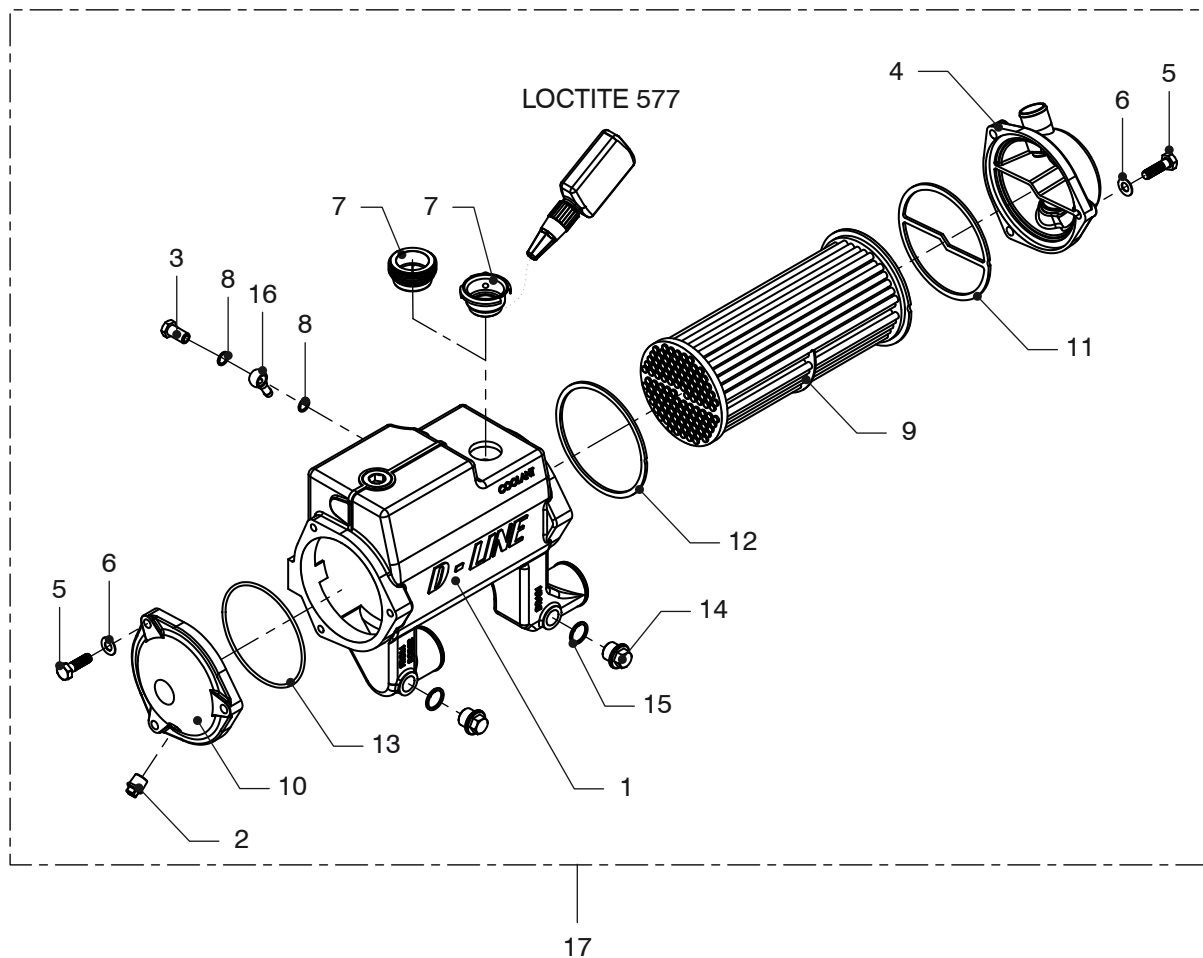




**VD4.120**   **VD4.140**   **Warmtewisselaar assy**  
**VD6.170**   **VD6.210**

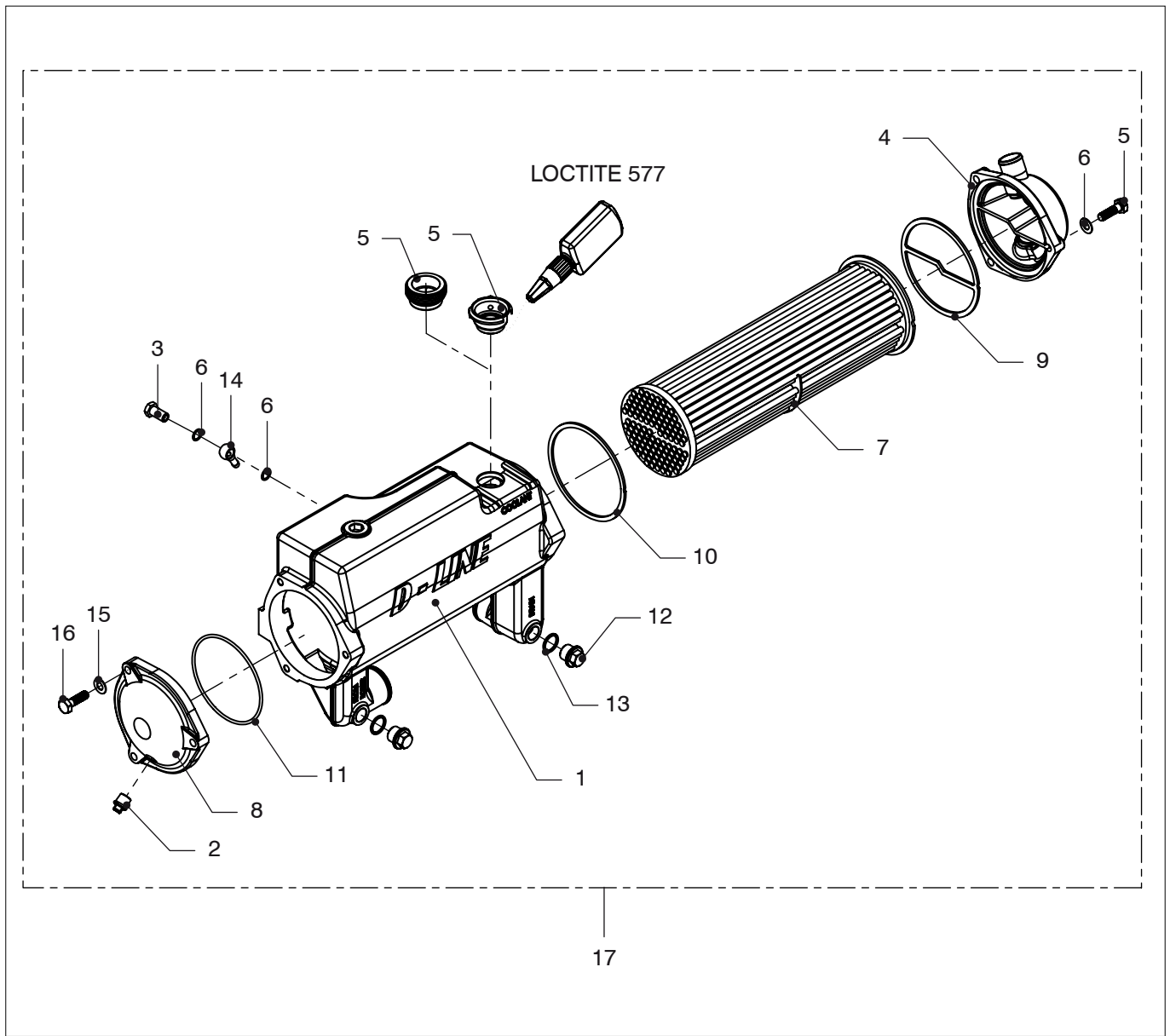
**Heat exchanger assy**

| pos. | qty | part     | benaming                        | description               |
|------|-----|----------|---------------------------------|---------------------------|
| 1    | 1   | 16-7473  | Warmtewisselaar unit VD4        | Heat exchanger unit VD4   |
|      | 1   | 16-6249  | Warmtewisselaar unit VD6        | Heat exchanger unit VD6   |
| 2    | 1   | STM8122  | Drukdop 1,5 bar                 | Pressure cap 1.5 bar      |
|      | 1   | 18-14716 | Drukdop 1,4 bar blauw           | Pressure cap 1.4 bar blue |
| 3    | 1   | 16-3333  | Steun                           | Support                   |
| 4    | 3   | R105Y    | Gegolfde veerring M10           | Wave spring washer M10    |
| 5    | 3   | B10255YT | Zeskantbout M10x25              | Hex head bolt M10x25      |
| 6    | 1   | STM3749  | Gegolfde veerring M8            | Wave spring washer M8     |
| 7    | 1   | B08255YT | Zeskantbout M8x25               | Hex head bolt M8x25       |
| 8    | 1   | 16-3322  | Steun                           | Support                   |
| 9    | 2   | R085Y    | Gegolfde veerring M8            | Wave spring washer M8     |
| 10   | 2   | B08355YT | Zeskantbout M8x35               | Hex head bolt M8x35       |
| 11   | 2   | R105Y    | Gegolfde veerring M10           | Wave spring washer M10    |
| 12   | 2   | B101105Y | Zeskantbout M10x110             | Hex head bolt M10x110     |
| 13   | 1   | 08-01487 | Expansietank 1,5 liter          | Headertank 1.5 ltr        |
| 14   | 1   | STM8211  | Dop (open)                      | Cap (open)                |
| 15   | 1   | STM8792  | Plug G1/4                       | Plug G1/4                 |
| 16   | 1   | STM6511  | Slangpilaar G1/4                | Hose pillar G1/4          |
| 17   | 1   | STM9504  | Slang l=1500mm                  | Hose l=1500mm             |
| 18   | 2   | STM9505  | Slangklem mini 14               | Hose clamp mini 14        |
| 19   | 1   | EXPT1,5U | Expansietank 1,5 liter compleet | Headertank 1.5 ltr cpl    |



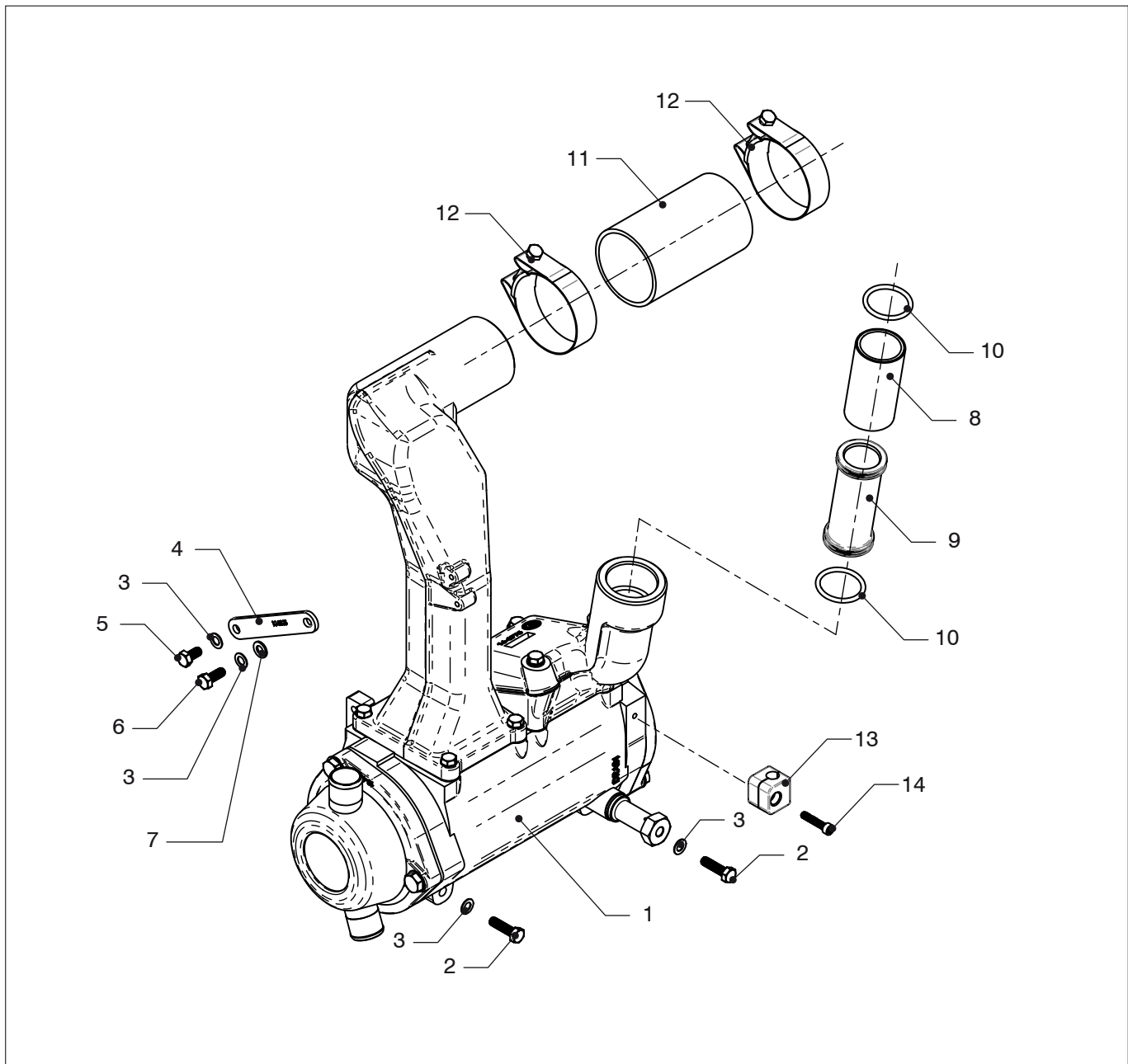
**VD4.120 VD4.140 Warmtewisselaar Heat exchanger**

| pos. | qty | part     | benaming                 | description             |
|------|-----|----------|--------------------------|-------------------------|
| 1    | 1   | 15-2795  | Warmtewisselaarhuis      | Heat exchanger body     |
| 2    | 1   | 16-5034  | Plug G3/8                | Plug G3/8               |
| 3    | 1   | 16-5600  | Banjo bolt M12x1,75      | Banjo bolt M12x1,75     |
| 4    | 1   | 16-6931  | Aansluitdeksel           | Connection cover        |
| 5    | 6   | B10355Y  | Zeskantbout M10x35       | Hex head bolt M10x35    |
| 6    | 6   | R105Y    | Gegolgte veerring M10    | Wave spring washer M10  |
| 7    | 1   | STM1515  | Vulnek                   | Filler neck             |
|      | 1   | 18-14649 | Vulnek adapter           | Filler neck adaptor     |
| 8    | 2   | STM7056  | Afdichtring M12          | Seal washer M12         |
| 9    | 1   | 17-10978 | Pijpenbundel             | Tube stack              |
| 10   | 1   | STM8305  | Omkeerdeksel             | Return cover            |
| 11   | 1   | STM8307  | Pakking aansluitdelsel   | Gasket connection cover |
| 12   | 1   | STM8308  | Pakking aansluitdelsel   | Gasket connection cover |
| 13   | 1   | STM8309  | O-ring                   | O-ring                  |
| 14   | 2   | STM8314  | Plug G1/2                | Plug G 1/2              |
| 15   | 2   | STM8315  | Afdichtring G1/2         | Seal washer G1/2        |
| 16   | 1   | STM9262  | Banjo oog 12-Ø8          | Banjo eye 12 - Ø8       |
| 17   | 1   | 16-7473  | Warmtewisselaar compleet | Heat exchanger cpl.     |



**VD6.170 VD6.210 Warmtewisselaar Heat exchanger**

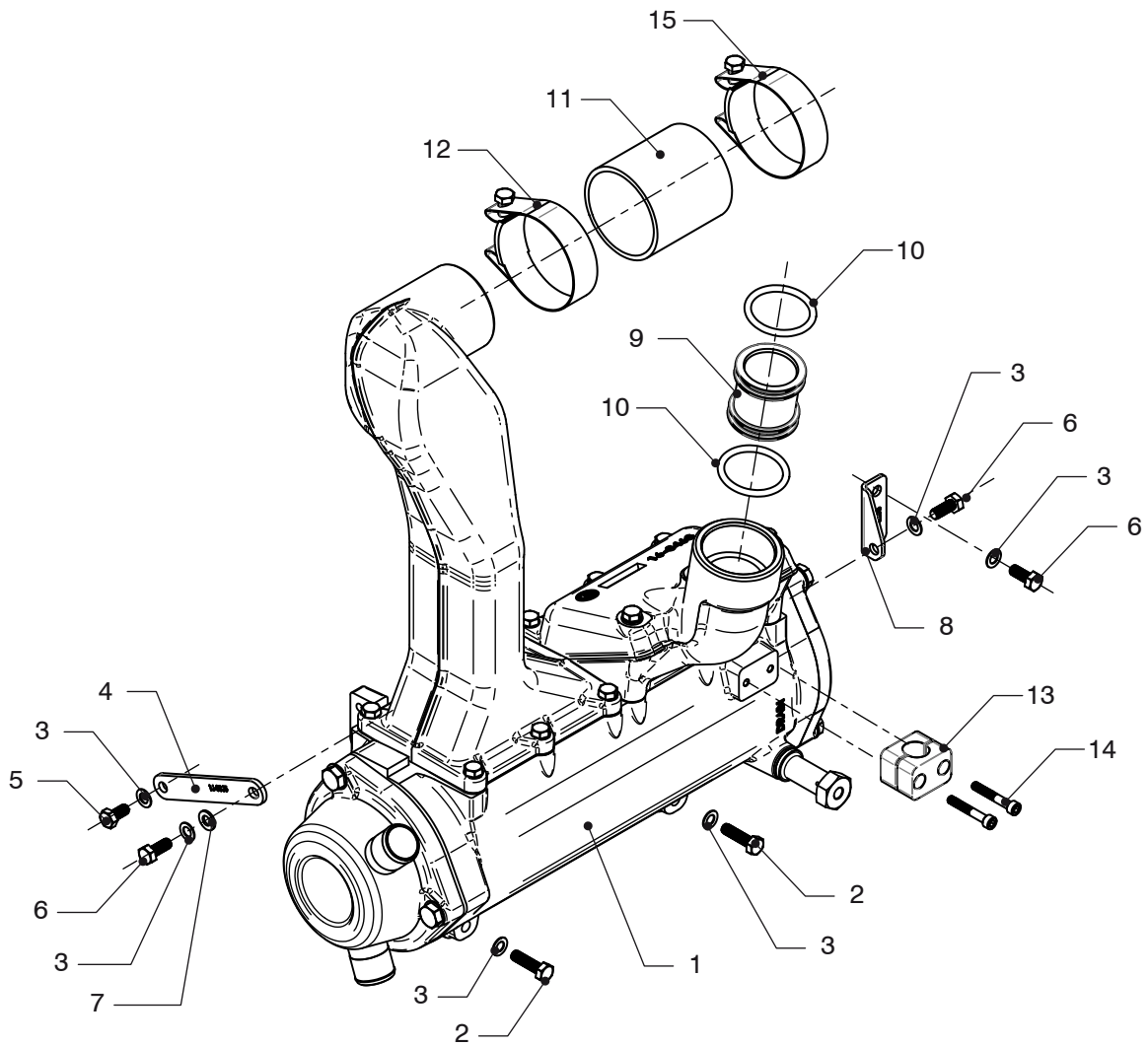
| pos. | qty | part     | benaming                 | description             |
|------|-----|----------|--------------------------|-------------------------|
| 1    | 1   | 15-2770  | Warmtewisselaarhuis      | Heat exchanger body     |
| 2    | 1   | 16-5034  | Plug G3/8                | Plug G3/8               |
| 3    | 1   | 16-5600  | Banjo bolt M12x1,75      | Banjo bolt M12x1,75     |
| 4    | 1   | 16-6931  | Aansluitdeksel           | Connection cover        |
| 5    | 1   | STM1515  | Vulnek                   | Filler neck             |
|      | 1   | 18-14649 | Vulnek adapter           | Filler neck adaptor     |
| 6    | 2   | STM7056  | Afdichtring M12          | Seal washer M12         |
| 7    | 1   | 17-10657 | Pijpenbundel             | Tube stack              |
| 8    | 1   | STM8305  | Omkeerdeksel             | Return cover            |
| 9    | 1   | STM8307  | Pakking aansluitdelsel   | Gasket connection cover |
| 10   | 1   | STM8308  | Pakking aansluitdelsel   | Gasket connection cover |
| 11   | 1   | STM8309  | O-ring                   | O-ring                  |
| 12   | 2   | STM8314  | Plug G1/2                | Plug G 1/2              |
| 13   | 2   | STM8315  | Afdichtring G1/2         | Seal washer G1/2        |
| 14   | 1   | STM9262  | Banjo oog 12-Ø8          | Banjo eye 12 - Ø8       |
| 15   | 6   | R105Y    | Gegolgte veerring M10    | Wave spring washer M10  |
| 16   | 6   | B10355Y  | Zeskantbout M10x35       | Hex head bolt M10x35    |
| 17   | 1   | 16-6249  | Warmtewisselaar compleet | Heatexchanger cpl.      |



**VD4.120 VD4.140 Laadluchtkoeler assy**

**After cooler assy**

| pos. | qty | part     | benaming              | description           |
|------|-----|----------|-----------------------|-----------------------|
| 1    | 1   | 16-7472  | Laadlucht-koeler unit | After cooler-unit     |
| 2    | 2   | B08305YT | Zeskantbout M8x30     | Hex head bolt M8x30   |
| 3    | 4   | R085Y    | Gegolfde veerring M8  | Wave spring washer M8 |
| 4    | 1   | 16-3365  | Steun                 | Bracket               |
| 5    | 1   | B08165YT | Zeskantbout M8x16     | Hex head bolt M8x16   |
| 6    | 1   | B08205YT | Zeskantbout M8x20     | Hex head bolt M8x20   |
| 7    | 1   | R081Y    | Ring 8x16             | Washer 8x16           |
| 8    | 1   | 16-5203  | Isolatiehuls          | Isolation sleeve      |
| 9    | 1   | 16-4889  | Bus                   | Bush                  |
| 10   | 2   | 16-5091  | O-ring 38x4 FPM       | O-ring 38x4 FPM       |
| 11   | 1   | 16-4823  | Slang                 | Hose                  |
| 12   | 2   | HCHD079  | HD slangklem 79-85    | HD hose clamp 79-85   |
| 13   | 1   | 16-7018  | Pijpklem Ø12          | Tube clamp Ø12        |
| 14   | 1   | B06307Y  | Inbusbout M6x30       | Allen bolt M6x30      |



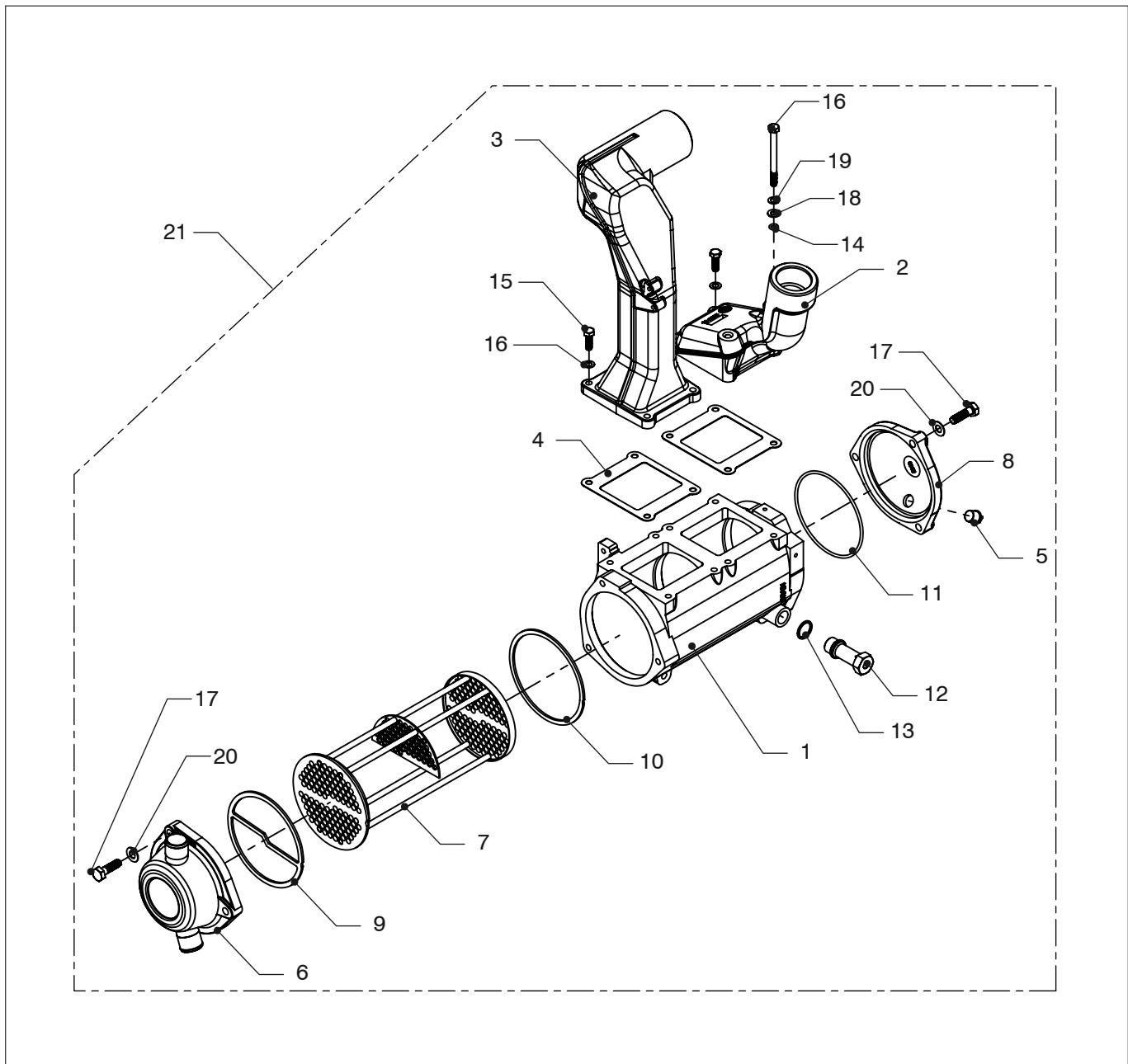
VD6.170

VD6.210

Laadluchtkoeler assy

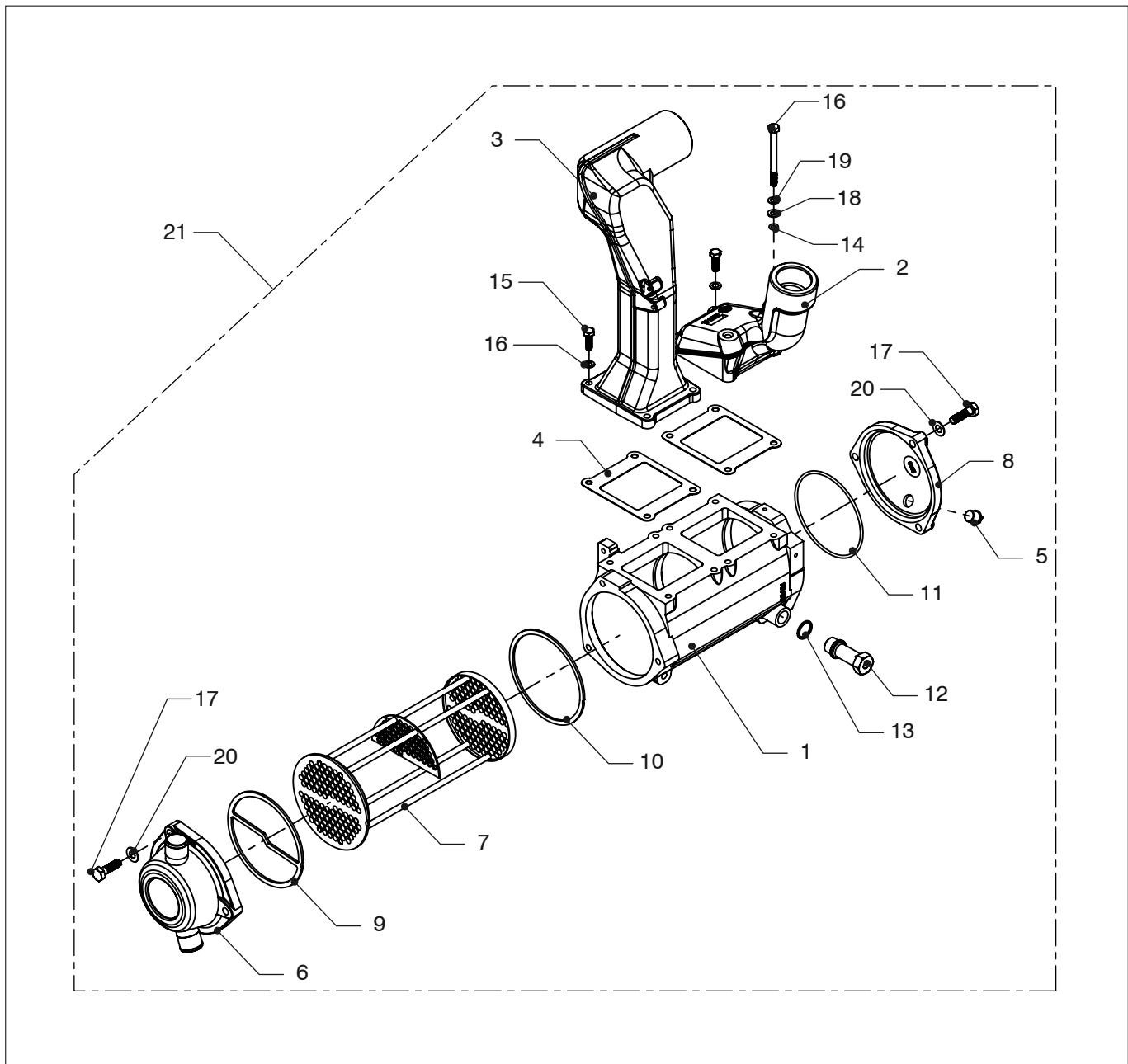
Aftercooler assy

| pos. | qty | part     | benaming              | description           |
|------|-----|----------|-----------------------|-----------------------|
| 1    | 1   | 16-6248  | Laadlucht-koeler unit | After cooler-unit     |
| 2    | 2   | B08305YT | Zeskantbout M8x30     | Hex head bolt M8x30   |
| 3    | 6   | R085Y    | Gegolfde veerring M8  | Wave spring washer M8 |
| 4    | 1   | 16-3365  | Steun                 | Bracket               |
| 5    | 1   | B08165YT | Zeskantbout M8x16     | Hex head bolt M8x16   |
| 6    | 3   | B08205YT | Zeskantbout M8x20     | Hex head bolt M8x20   |
| 7    | 1   | R081Y    | Ring 8x16             | Washer 8x16           |
| 8    | 1   | 16-4205  | Steun                 | Bracket               |
| 9    | 1   | 16-3466  | Bus                   | Bush                  |
| 10   | 2   | 16-3467  | O-ring 45x5 FPM       | O-ring 45x5 FPM       |
| 11   | 1   | 16-4198  | Slang                 | Hose                  |
| 12   | 1   | HCHD079  | HD slangklem 79-85    | HD hose clamp 79-85   |
| 13   | 1   | 16-4489  | Pijpklem Ø19          | Tube clamp Ø19        |
| 14   | 2   | B06407Y  | Inbusbout M6x40       | Allen bolt M6x40      |
| 15   | 1   | HCHD079  | HD Slangklem 79-85    | HD hose clamp 79-85   |



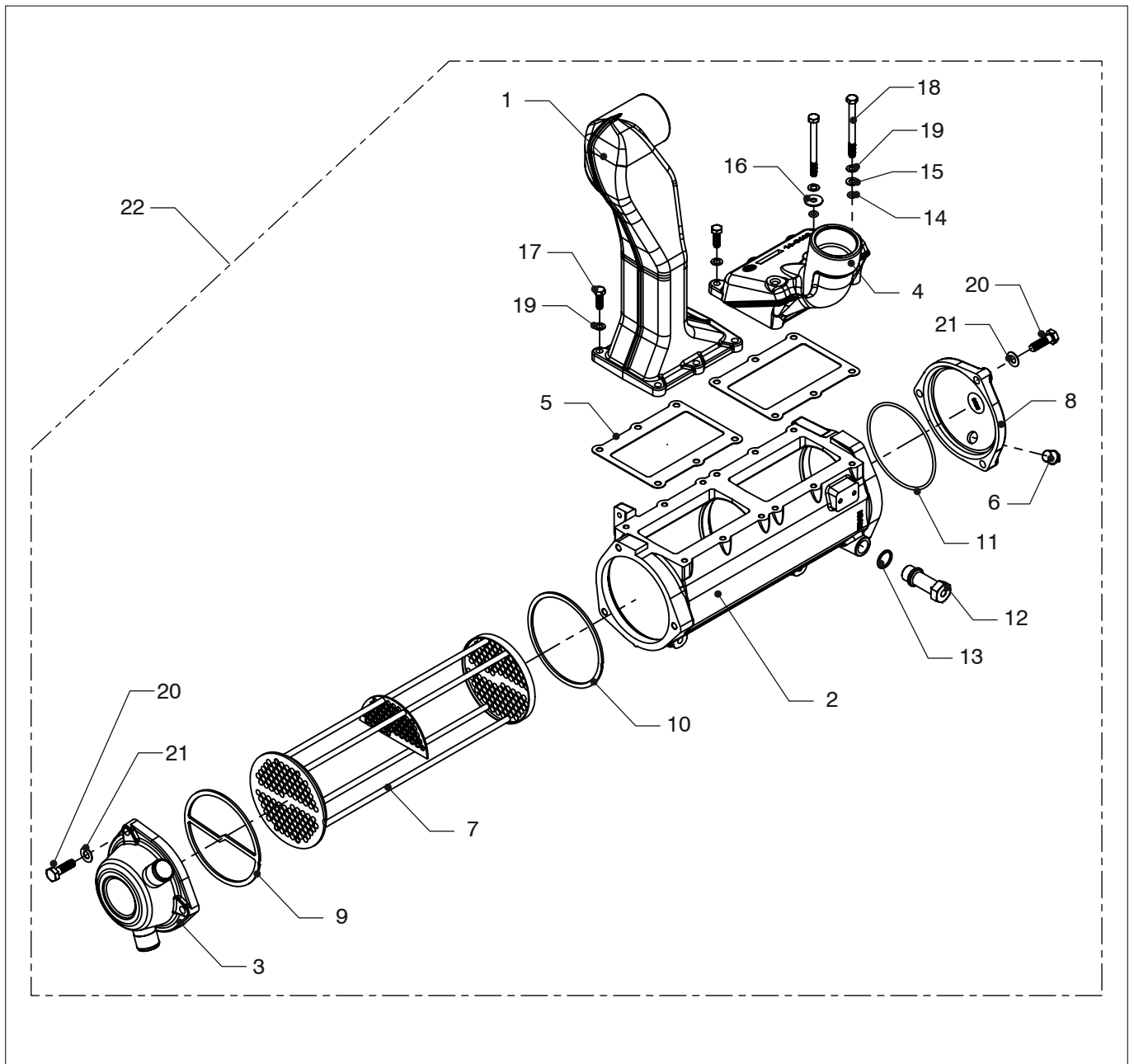
**VD4.120    VD4.140    Laadlucht-koeler    After cooler**

| pos. | qty | part     | benaming               | description             |
|------|-----|----------|------------------------|-------------------------|
| 1    | 1   | 16-3774  | Laadlucht koelerhuis   | Aftercooler body        |
| 2    | 1   | 16-3775  | Luchtpijp "in"         | Air pipe "in"           |
| 3    | 1   | 16-3776  | Luchtpijp "uit"        | Air pipe "out"          |
| 4    | 2   | 16-4791  | Pakking                | Gasket                  |
| 5    | 1   | 16-5034  | Plug G3/8              | Plug G3/8               |
| 6    | 1   | 16-6932  | Aansluitdeksel         | Connection cover        |
| 7    | 1   | 17-10978 | Pijpenbundel           | Tube stack              |
| 8    | 1   | STM8305  | Omkeerdeksel           | Return cover            |
| 9    | 1   | STM8307  | Pakking aansluitdeksel | Gasket connection cover |
| 10   | 1   | STM8308  | Pakking omkeerdeksel   | Gasket return cover     |
| 11   | 1   | STM8309  | O-ring                 | O-ring                  |
| 12   | 1   | 21-21506 | Plug bleeding          | Ontluchttingsplug       |
| 13   | 1   | STM8315  | Afdichtring G1/2       | Seal washer G1/2        |
| 14   | 2   | STM9655  | O-ring                 | O-ring                  |
| 15   | 6   | B08255YT | Zeskantbout M8x25      | Hex head bolt M8x25     |
| 16   | 2   | B08905Y  | Zeskantbout M8x90      | Hex head bolt M8x90     |



| VD4.120 | VD4.140 | Laadlucht-koeler | After cooler |
|---------|---------|------------------|--------------|
|---------|---------|------------------|--------------|

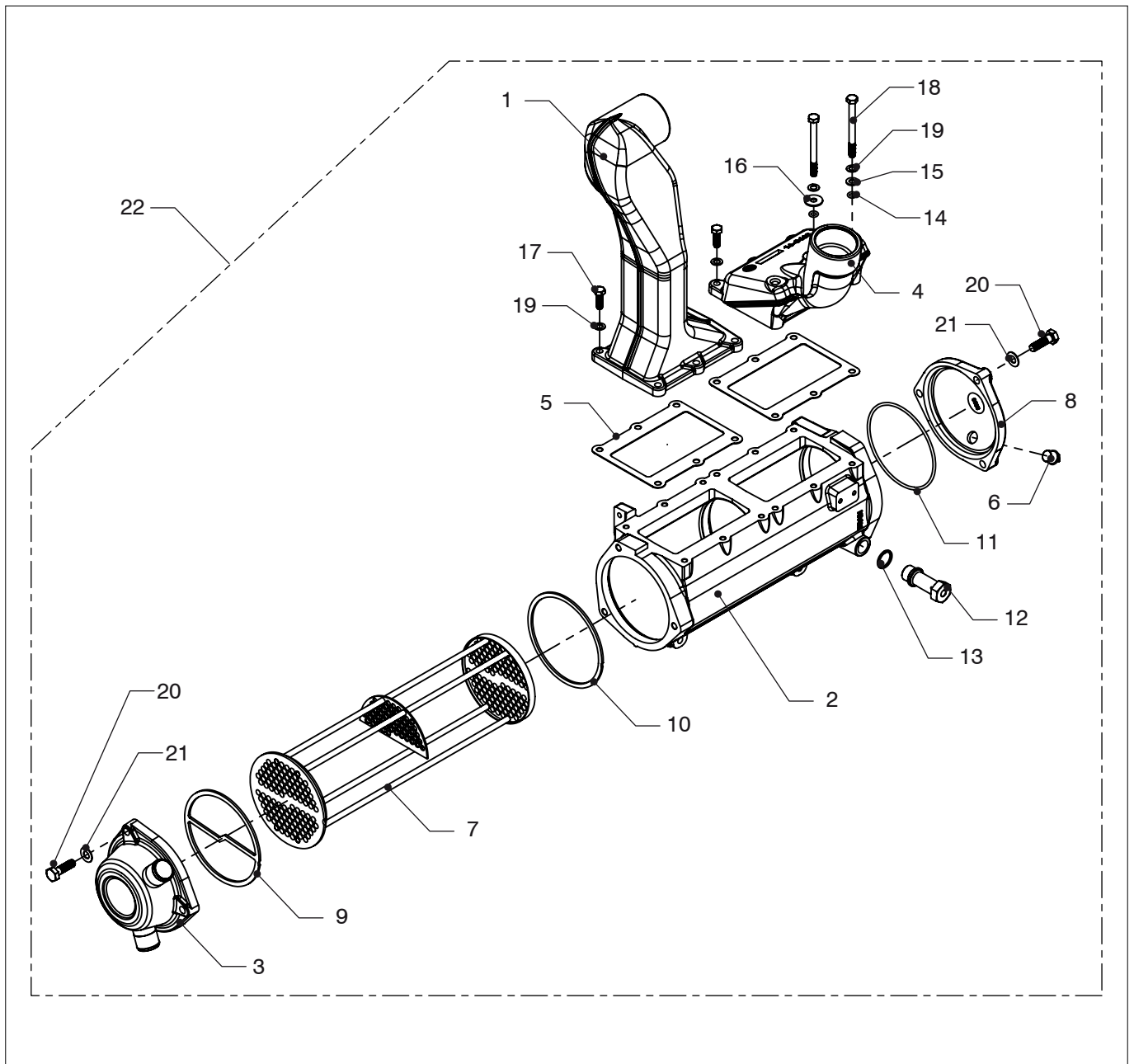
| pos. | qty | part    | benaming                 | description            |
|------|-----|---------|--------------------------|------------------------|
| 17   | 6   | B10355Y | Zeskantbout M10x35       | Hex head bolt M10x35   |
| 18   | 2   | R081Y   | Ring M8                  | Plain washer M8        |
| 19   | 8   | R085Y   | Gegolfde veerring M8     | Wave spring washer M8  |
| 20   | 6   | R105Y   | Gegolfde veerring M10    | Wave spring washer M10 |
| 21   | 1   | 16-7472 | Laadluchtkoeler compleet | Aftercooler cpl.       |
|      |     |         |                          |                        |
|      |     |         |                          |                        |
|      |     |         |                          |                        |
|      |     |         |                          |                        |
|      |     |         |                          |                        |
|      |     |         |                          |                        |
|      |     |         |                          |                        |



**VD6.170    VD6.210    Laadlucht-koeler    After cooler**

| pos. | qty | part     | benaming               | description             |
|------|-----|----------|------------------------|-------------------------|
| 1    | 1   | 15-2787  | Luchtpijp "uit"        | Airpipe "out"           |
| 2    | 1   | 15-2790  | Laadlucht koelerhuis   | Aftercooler Housing     |
| 3    | 1   | 16-6930  | Aansluitdeksel         | Connection cover        |
| 4    | 1   | 16-3468  | Luchtpijp "in"         | Airpipe "in"            |
| 5    | 2   | 16-4259  | Pakking                | Gasket                  |
| 6    | 1   | 16-5034  | Plug G3/8              | Plug G3/8               |
| 7    | 1   | 17-10657 | Pijpenbundel           | Tube stack              |
| 8    | 1   | STM8305  | Omkeerdeksel           | Return cover            |
| 9    | 1   | STM8307  | Pakking aansluitdeksel | Gasket connection cover |
| 10   | 1   | STM8308  | Pakking omkeerdeksel   | Gasket return cover     |
| 11   | 1   | STM8309  | O-ring                 | O-ring                  |
| 12   | 1   | 21-21506 | Plug bleeding          | Ontluchtingsplug        |
| 13   | 1   | STM8315  | Afdichtring G1/2       | Seal washer G1/2        |
| 14   | 3   | STM9655  | O-ring                 | O-ring                  |
| 15   | 2   | R081Y    | Ring M8                | Washer M8               |
| 16   | 1   | R082Y    | Ring M8 3D             | Washer M8 3D            |





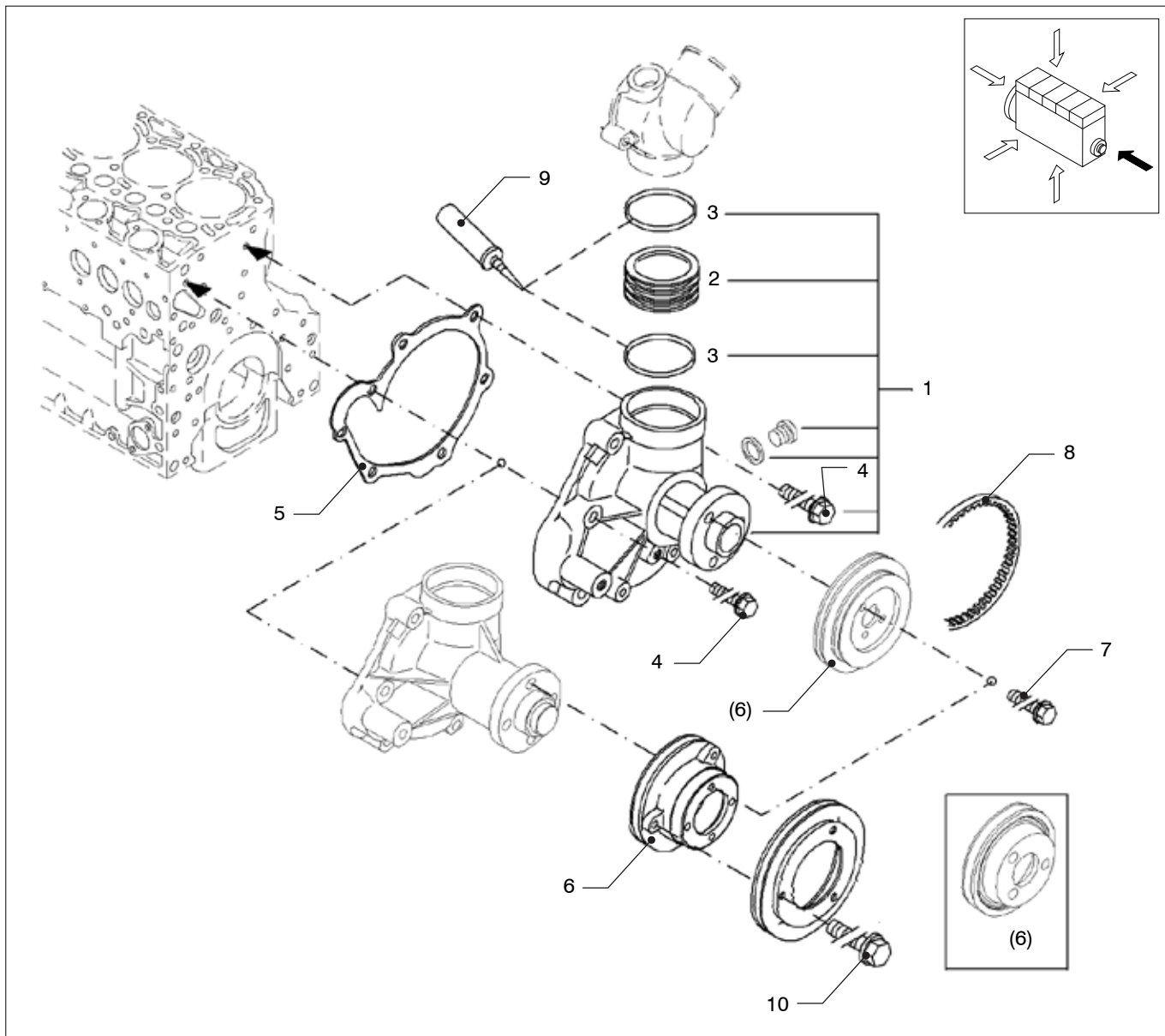
VD6.170

VD6.210

Laadlucht-koeler

After cooler

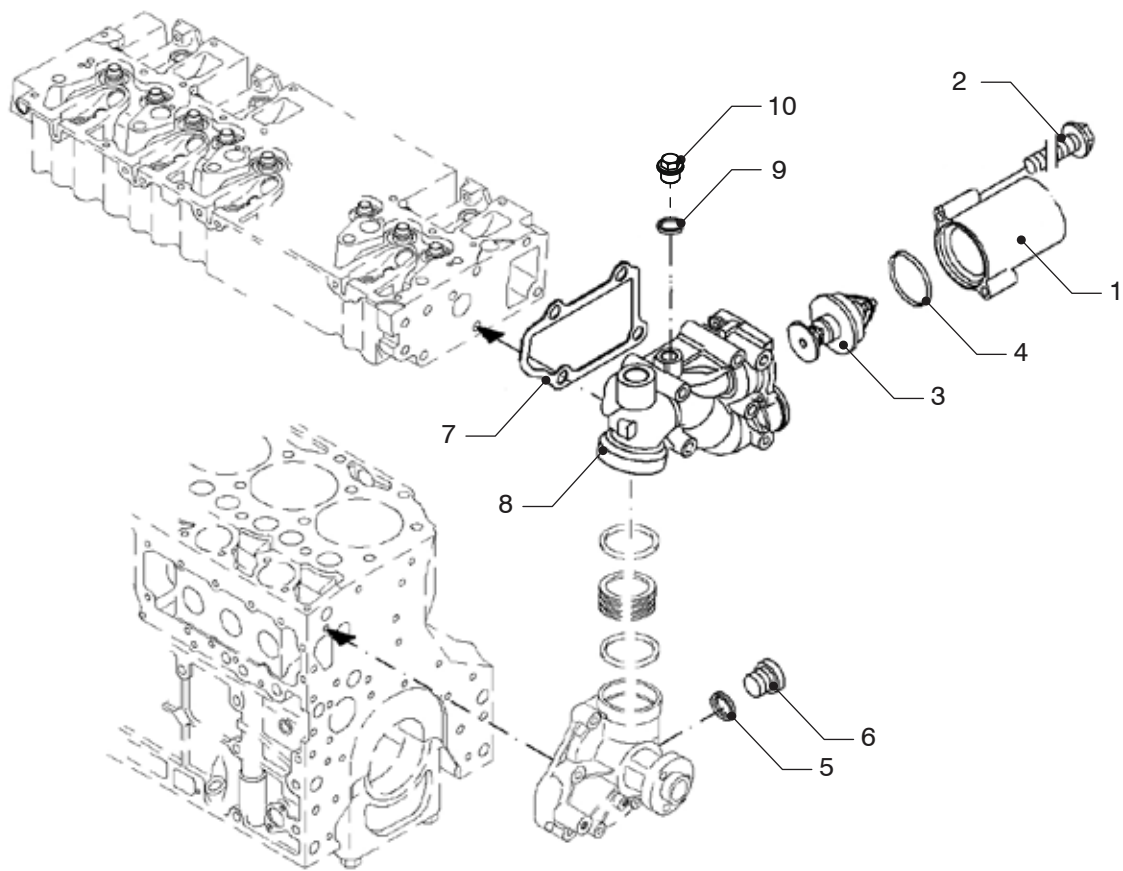
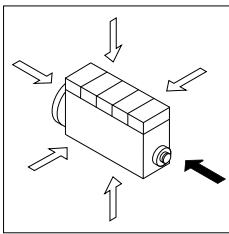
| pos. | qty | part     | benaming                 | description            |
|------|-----|----------|--------------------------|------------------------|
| 17   | 9   | B08255YT | Zeskantbout M8x25        | Hex head bolt M8x25    |
| 18   | 3   | B08905Y  | Zeskantbout M8x90        | Hex head bolt M8x90    |
| 19   | 12  | R085Y    | Gegolfde veerring M8     | Wave spring washer m8  |
| 20   | 6   | B10355Y  | Zeskantbout M8x35        | Hex head bolt M8x35    |
| 21   | 6   | R105Y    | Gegolfde veerring M10    | Wave spring washer M10 |
| 22   | 1   | 16-6248  | Laadluchtkoeler compleet | Aftercooler cpl.       |



**VD4.120**   **VD4.140**   **Circulatiepomp**  
**VD6.170**   **VD6.210**

**Coolant pump**

| pos. | qty | part    | benaming     | description       |
|------|-----|---------|--------------|-------------------|
| 1    | 1   | DZ37001 | Waterpomp    | Circulation pump  |
| 2    | 1   | DZ37002 | Plug         | Plug              |
| 3    | 2   | DZ37003 | O-Ring       | O-seal            |
| 4    | 6   | DZ37004 | Zeskantbout  | Hexagon bolt      |
| 5    | 1   | DZ37006 | Pakking      | Gasket            |
| 6    | 1   | DZ37013 | Poelie       | V-grooved pulley  |
| 7    | 3   | DZ37016 | Zeskantbout  | Hexagon bolt      |
| 8    | 1   | VD20723 | V-snaar      | V-belt            |
| 9    | 1   | DZ37010 | Montagepasta | Mounting compound |
| 10   | 3   | DZ37012 | Zeskantbout  | Hexagon bolt      |

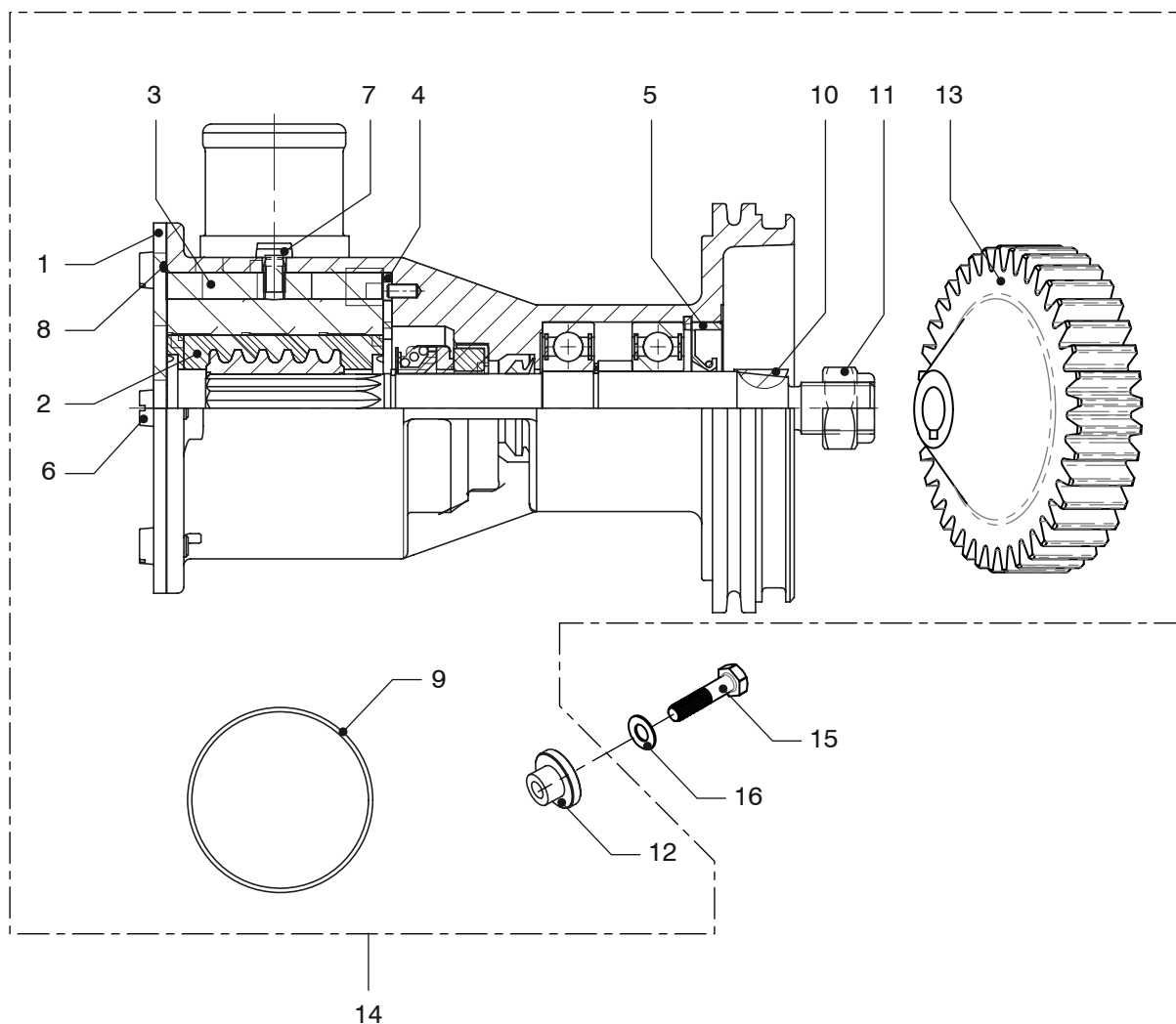


**VD4.120**   **VD4.140**  
**VD6.170**   **VD6.210**

**Thermostaat**

**Thermostat**

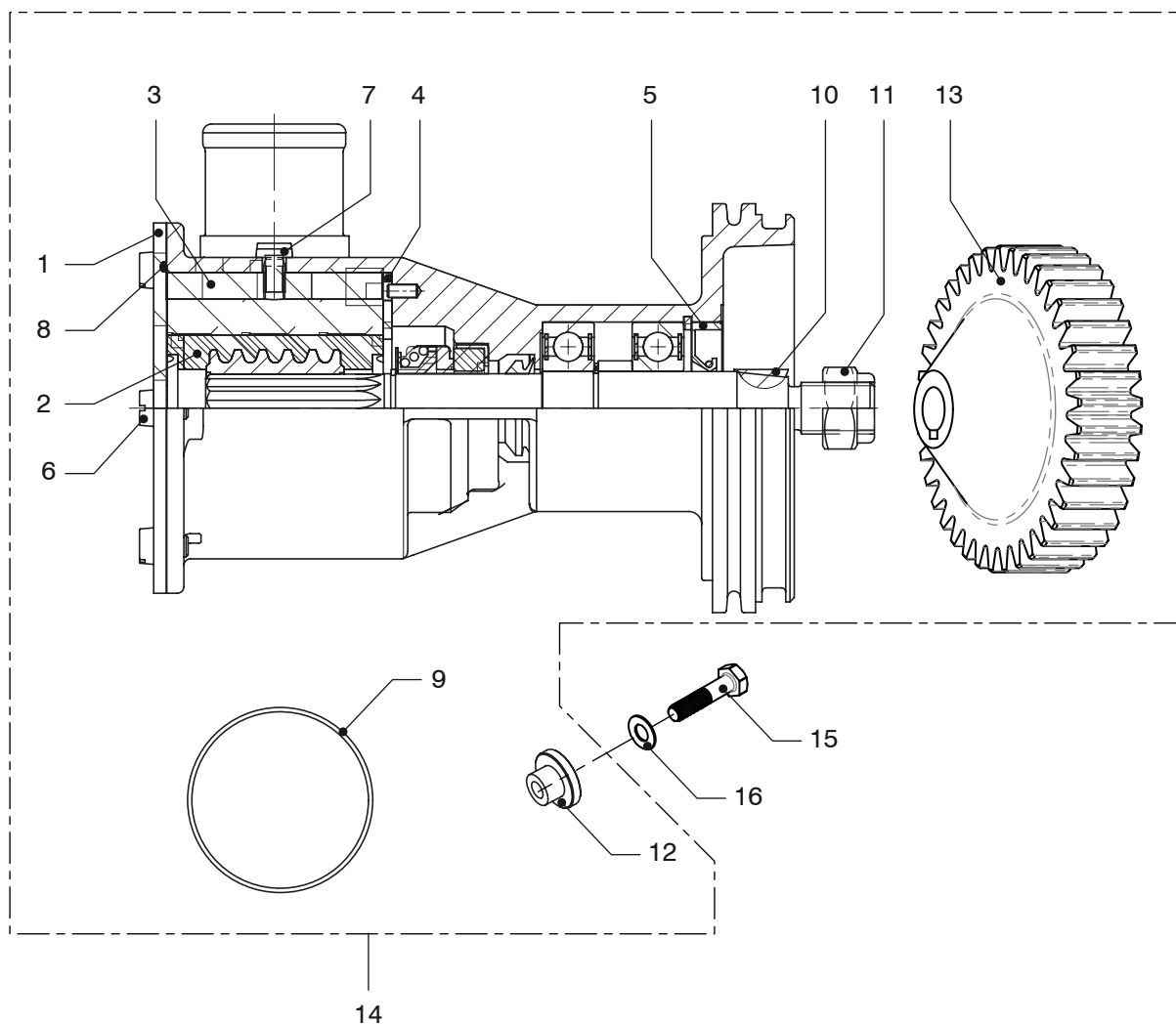
| pos. | qty | part    | benaming           | description      |
|------|-----|---------|--------------------|------------------|
| 1    | 1   | DZ38001 | Thermostaat deksel | Thermostat cover |
| 2    | 2   | DZ38002 | Zeskantbout        | Hexagon bolt     |
| 3    | 1   | DZ38003 | Thermostaat 83°C   | Thermostat 83°C  |
| 4    | 1   | DZ38004 | Afdichtring        | Sealing ring     |
| 5    | 1   | DZ38005 | Afdichtring        | Sealing ring     |
| 6    | 1   | DZ38006 | Plug               | Screw plug       |
| 7    | 1   | DZ38011 | Pakking            | Gasket           |
| 8    | 1   | DZ38012 | Huis               | Housing          |
| 9    | 1   | STM6617 | Afdichtring        | Sealing ring     |
| 10   | 1   | STM9646 | Plug M16x1,5       | Plug M16x1,5     |



**VD4.120 VD4.140 Zeewaterpomp SPX**

**Seawater pump SPX**

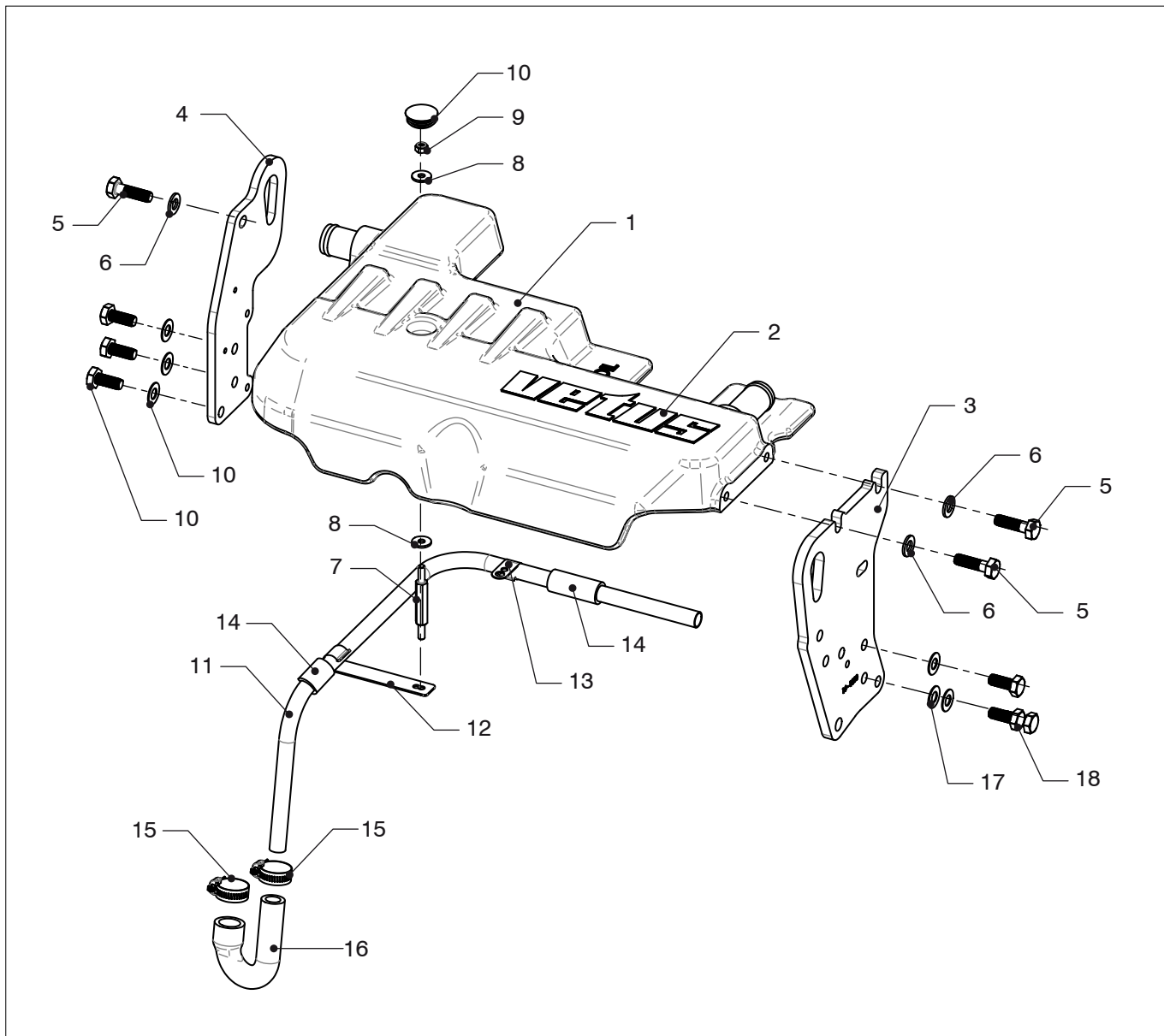
| pos. | qty | part     | benaming                    | description               |
|------|-----|----------|-----------------------------|---------------------------|
| 1    | 1   | DM10006  | Eindeksel                   | End cover                 |
| 2    | 1   | DM10007  | Impeller 8 bladen           | Impeller 8 blades         |
| 3    | 1   | DM10010  | Kam 2/3 (4,7mm)             | Cam 2/3 (4,7mm)           |
| 4    | 1   | DM10009  | Slijtplaat                  | Wear plate                |
| 5    | 1   | STM9469  | Keerring                    | Lip seal                  |
| 6    | 6   | DM10011  | Schroef                     | Screw                     |
| 7    | 1   | DM10012  | Schroef                     | Screw                     |
| 8    | 1   | STM9974  | O-ring                      | O-ring                    |
| 9    | 1   | DM10014  | O-ring                      | O-ring                    |
| 10   | 1   | DM10015  | Spie                        | Woodruff key              |
| 11   | 1   | DM10016  | Moer                        | Nut                       |
| 12   | 2   | STM8231  | Klemplaat                   | Clamp                     |
| 13   | 1   | VD30017  | Tandwiel                    | Gear wheel                |
| 14   | 1   | 16-7477  | Zeewaterpomp compleet(1-13) | Seawater pump cpl. (1-13) |
| 15   | 2   | B08605YT | Bout M8x60                  | Bolt M8x60                |
| 16   | 2   | R085Y    | Veerring M8                 | Spring Washer M5          |



**VD6.170 VD6.210 Zeewaterpomp SPX**

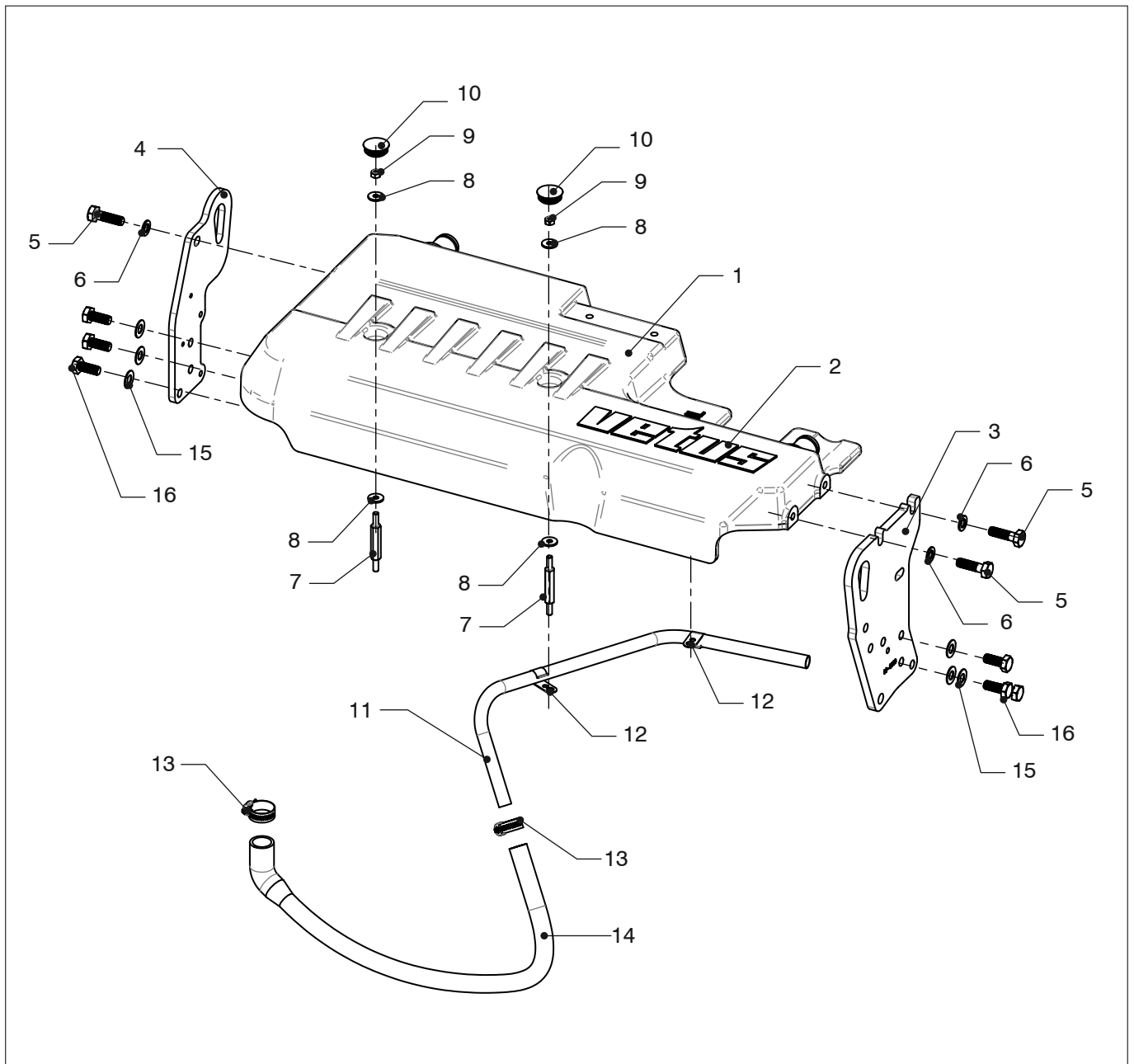
**Seawater pump SPX**

| pos. | qty | part     | benaming                    | description               |
|------|-----|----------|-----------------------------|---------------------------|
| 1    | 1   | DM10006  | Eindeksel                   | End cover                 |
| 2    | 1   | DM10007  | Impeller 8 bladen           | Impeller 8 blades         |
| 3    | 1   | DM10008  | Kam 1/1 (6mm)               | Cam 1/1 (6mm)             |
| 4    | 1   | DM10009  | Slijtplaat                  | Wear plate                |
| 5    | 1   | STM9469  | Keerring                    | Lip seal                  |
| 6    | 6   | DM10011  | Schroef                     | Screw                     |
| 7    | 1   | DM10012  | Schroef                     | Screw                     |
| 8    | 1   | STM9974  | O-ring                      | O-ring                    |
| 9    | 1   | DM10014  | O-ring                      | O-ring                    |
| 10   | 1   | DM10015  | Spie                        | Woodruff key              |
| 11   | 1   | DM10016  | Moer                        | Nut                       |
| 12   | 2   | STM8231  | Klemplaat                   | Clamp                     |
| 13   | 1   | VD30017  | Tandwiel                    | Gear wheel                |
| 14   | 1   | 16-6247  | Zeewaterpomp compleet(1-13) | Seawater pump cpl. (1-13) |
| 15   | 2   | B08605YT | Bout M8x60                  | Bolt M8x60                |
| 16   | 2   | R085Y    | Veerring M8                 | Spring Washer M8          |



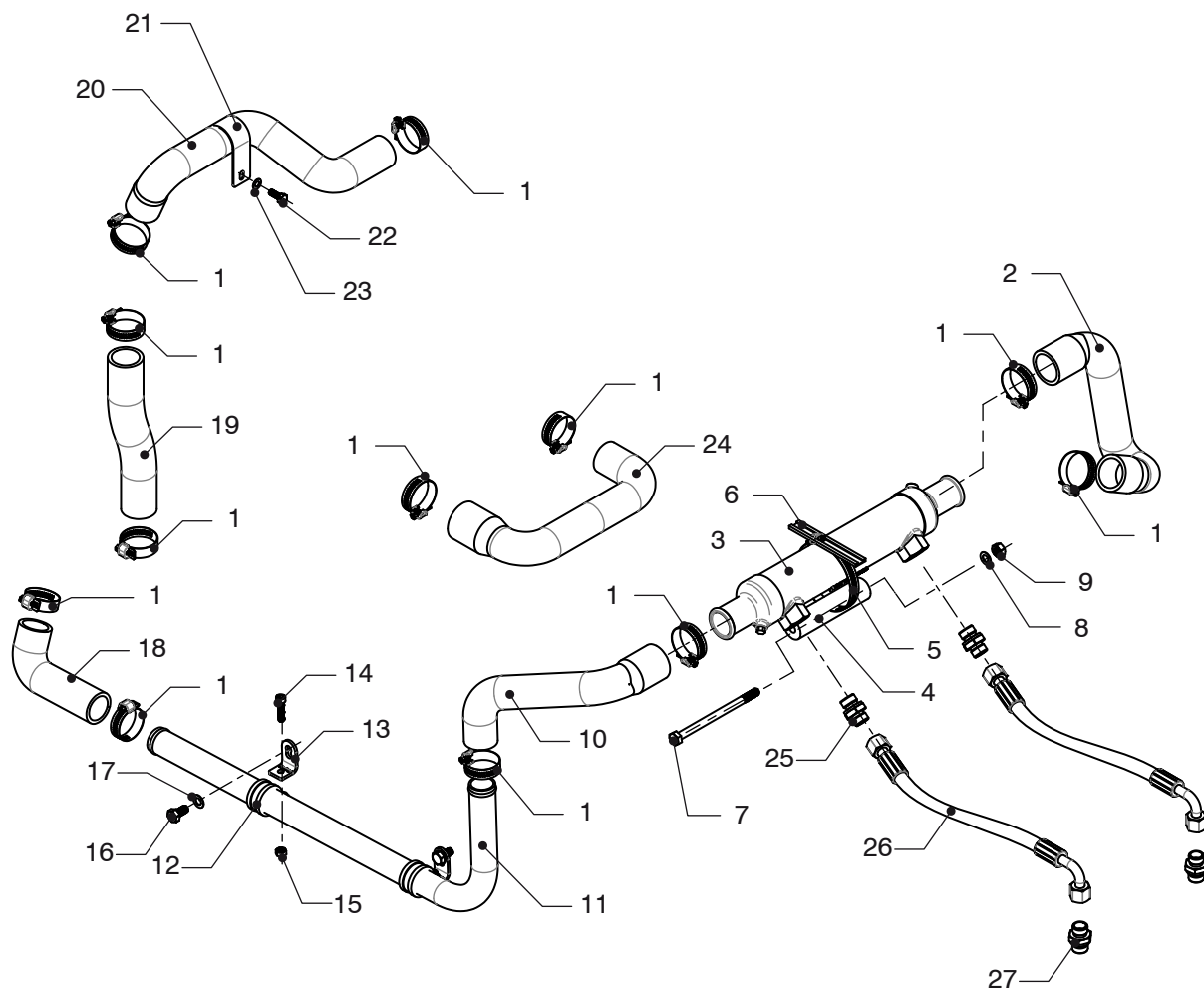
**VD4.120 VD4.140 Bovenkap Top cover**

| pos. | qty | part     | benaming               | description             |
|------|-----|----------|------------------------|-------------------------|
| 1    | 1   | 16-4874  | Bovenkap               | Top cover               |
| 2    | 1   | 16-4969  | Vetus logo sticker     | Vetus logo sticker      |
| 3    | 1   | 16-3333  | Hijsoog voorzijde      | Lifting eye front side  |
| 4    | 1   | 16-3625  | Hijsoog achterzijde    | Lifting eye back side   |
| 5    | 3   | B10355Y  | Zeskantbout M10x35     | Hex head bolt M10x35    |
| 6    | 3   | R101Y    | Ring M10               | Washer M10              |
| 7    | 1   | 17-8897  | Stud M6 M6             | Stud M6 M6              |
| 8    | 2   | R062Y    | Ring M6 3D             | Washer M6 3D            |
| 9    | 1   | M06BY    | Zelfborgende moer M6   | Nyloc nut M6            |
| 10   | 1   | 08-01387 | Dop                    | Cap                     |
| 11   | 1   | 17-9701  | Carterontluchtingspijp | Crankcase bleeding pipe |
| 12   | 1   | 17-9711  | Klem                   | Clamp                   |
| 13   | 1   | 16-8629  | Klem                   | Clamp                   |
| 14   | 2   | 17-9755  | Isolatie huls          | Isolation sleeve        |
| 15   | 2   | SLKL25   | Slangklem              | Hose clamp              |
| 16   | 1   | 17-9723  | Slang                  | Hose                    |
| 17   | 6   | R105Y    | Gegolfde veerring M10  | Wave spring washer M10  |
| 18   | 6   | B10255YT | Zeskantbout M10x25     | Hex head bolt M10x25    |



| VD6.170 | VD6.210 | Bovenkap | Top cover |
|---------|---------|----------|-----------|
|---------|---------|----------|-----------|

| pos. | qty | part     | benaming               | description             |
|------|-----|----------|------------------------|-------------------------|
| 1    | 1   | 15-2789  | Bovenkap               | Top cover               |
| 2    | 1   | 16-4569  | Vetus logo sticker     | Vetus logo sticker      |
| 3    | 1   | 16-3333  | Hijsoog voorzijde      | Lifting eye front side  |
| 4    | 1   | 16-3625  | Hijsoog achterzijde    | Lifting eye back side   |
| 5    | 3   | B10355Y  | Zeskantbout M10x35     | Hex head bolt M10x35    |
| 6    | 3   | R101Y    | Ring M10               | Washer M10              |
| 7    | 2   | 17-8897  | Stud M6 M6             | Stud M6 M6              |
| 8    | 4   | R062Y    | Ring M6 3D             | Washer M6 3D            |
| 9    | 2   | M06BY    | Zelfborgende moer M6   | Nyloc nut M6            |
| 10   | 2   | 08-01387 | Dop                    | Cap                     |
| 11   | 1   | 16-6080  | Carterontluchtingspijp | Crankcase bleeding pipe |
| 12   | 2   | 17-8629  | Klem                   | Clamp                   |
| 13   | 1   | SLKL25   | Slangklem              | Hose clamp              |
| 14   | 1   | 16-5039  | Slang                  | Hose                    |
| 15   | 6   | R105Y    | Gegolfde veerring M10  | Wave spring washer M10  |
| 16   | 6   | B10255YT | Zeskantbout M10x25     | Hex head bolt M10x25    |



VD4.120

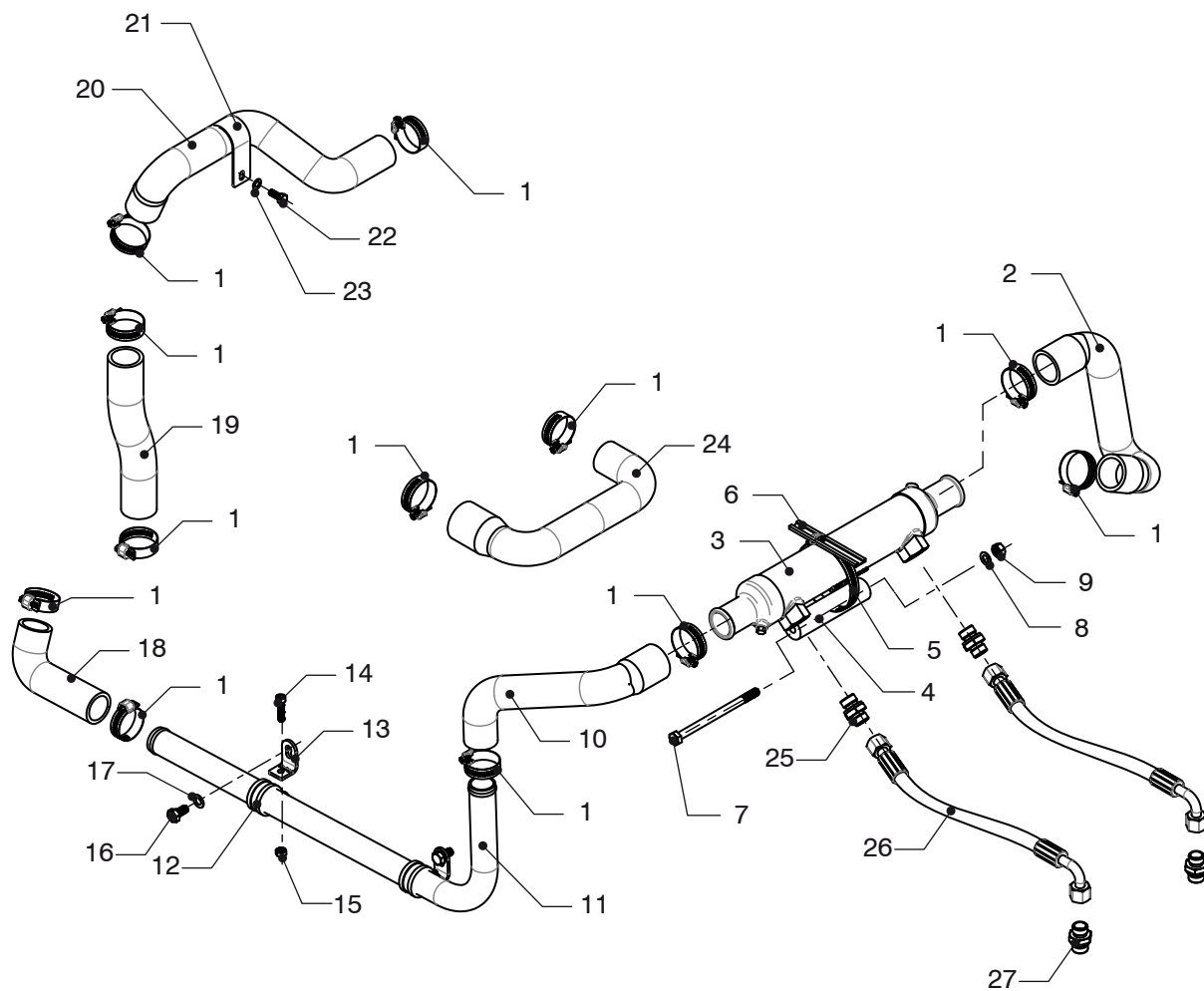
VD4.140

Buitenwater koelsysteem

Raw water cooling system

| pos. | qty | part     | benaming                              | description                           |
|------|-----|----------|---------------------------------------|---------------------------------------|
| 1    | 12  | SLKL25   | Slangklem                             | Hose clamp                            |
| 2    | 1   | 16-3572  | Slang                                 | Hose                                  |
| 3    | 1   | 16-3565  | Oliekoeler 9,5"-Ø51-G3/8-32 ZF        | Oil cooler 9.5"-Ø51-G3/8-32 ZF        |
|      | 1   | STM4995  | Oliekoeler 9"-Ø75-G1/2-33 PRM750-1000 | Oil cooler 9"-Ø75-G1/2-33 PRM750-1000 |
| 4    | 1   | 16-3579  | Bus l=105                             | Bush l=105                            |
| 5    | 1   | SLKL60   | Slangklem                             | Hose clamp                            |
| 6    | 1   | PC-P12NB | Afschermrubber                        | Protection gum                        |
| 7    | 1   | B081205Y | Zeskantbout M8x120                    | Hex head bolt M8x120                  |
| 8    | 1   | R085Y    | Gegolfde veerring M8                  | Wave spring washer M8                 |
| 9    | 1   | M08Y     | Moer M8                               | Nut M8                                |
| 10   | 1   | 16-3571  | Slang                                 | Hose                                  |
| 11   | 1   | 16-4872  | Pijp                                  | Tube                                  |
| 12   | 2   | 16-4713  | Klem Ø27                              | Clamp Ø27                             |
| 13   | 2   | 16-4712  | Steun                                 | Bracket                               |
| 14   | 2   | B06257Y  | Inbusbout M6x25                       | Allen bolt M6x25                      |
| 15   | 2   | M06Y     | Moer M6                               | Nut M6                                |
| 16   | 2   | B08165YT | Zeskantbout M8x16                     | Hex head bolt M8x16                   |





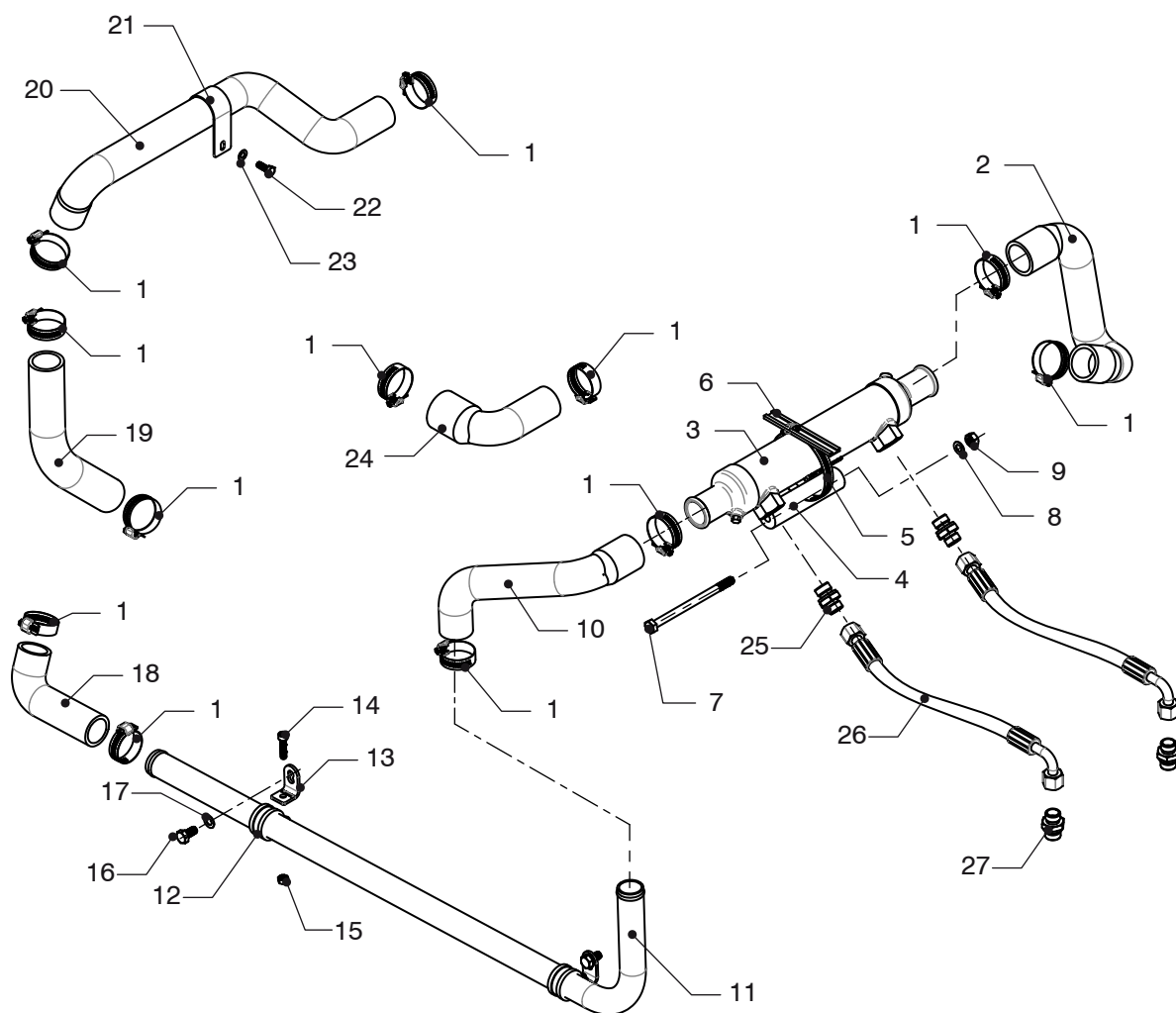
VD4.120

VD4.140

Buitenwater koelsysteem

Raw water cooling system

| pos. | qty | part     | benaming                      | description                   |
|------|-----|----------|-------------------------------|-------------------------------|
| 17   | 1   | R085Y    | Gegolfde veerring M8          | Wave spring washer M8         |
| 18   | 1   | 08-00042 | Slang                         | Hose                          |
| 19   | 1   | 16-4809  | Slang                         | Hose                          |
| 20   | 1   | 16-4812  | Slang                         | Hose                          |
| 21   | 1   | 16-4806  | Klem                          | Clamp                         |
| 22   | 1   | B06165YT | Zeskantbout M6x16             | Hex head bolt M6x16           |
| 23   | 1   | B065Y    | Gegolfde veerring M6          | Wave spring washer M6         |
| 24   | 1   | 16-4924  | Slang                         | Hose                          |
| 25   | 2   | HT5033   | Nippel 3/8"-M16               | Nipple 3/8"-M16               |
|      | 2   | CT30112  | Nippel G1/2 - M16 PRM750-1000 | Nipple G1/2 - M16 PRM750-1000 |
| 26   | 2   | CT50080  | Olieslang l=350               | Oil hose l=350                |
|      | 2   | CT50079  | Olieslang l=550 PRM750-1000   | Oil hose l=550 PRM750-1000    |
| 27   | 2   | 17-10327 | Nippel 3/8"-M16               | Nipple 3/8"-M16               |



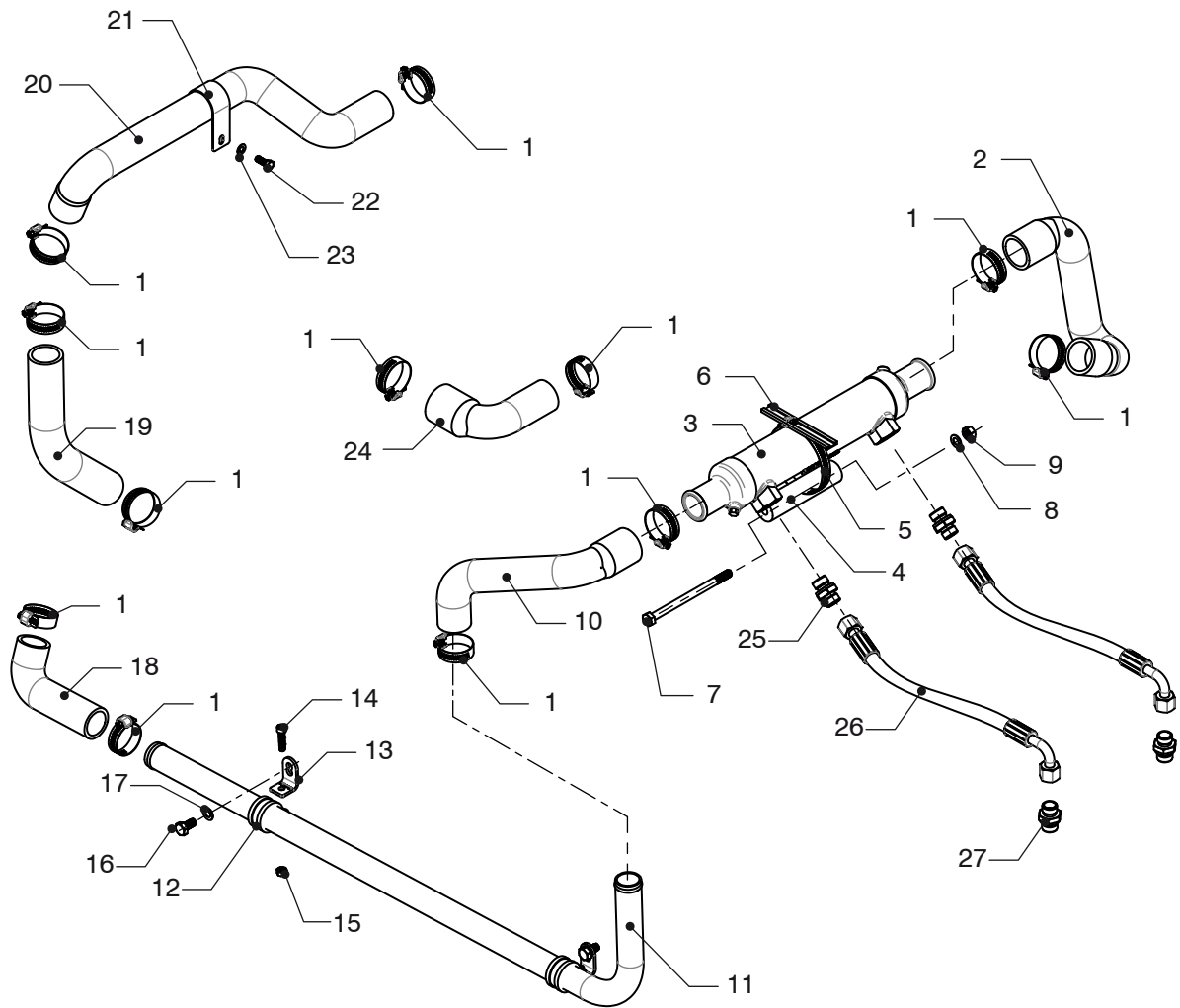
VD6.170

VD6.210

Buitenwater koelsysteem

Raw water cooling system

| pos. | qty | part     | benaming                                | description                             |
|------|-----|----------|---|---|
| 1    | 12  | SLKL25   | Slangklem                               | Hose clamp                              |
| 2    | 1   | 16-3572  | Slang                                   | Hose                                    |
| 3    | 1   | 16-3565  | Oliekoeler 9,5"-Ø51-G3/8-32 ZF          | Oil cooler 9.5"-Ø51-G3/8-32 ZF          |
|      | 1   | 19-18076 | Oliekoeler 12"-Ø75-G1/2-Ø42 PRM750-1000 | Oil cooler 12"-Ø75-G1/2-Ø42 PRM750-1000 |
| 4    | 1   | 16-3579  | Bus l=105                               | Bush l=105                              |
| 5    | 1   | SLKL60   | Slangklem                               | Hose clamp                              |
| 6    | 1   | PC-P12NB | Afschermrubber                          | Protection gum                          |
| 7    | 1   | B081205Y | Zeskantbout M8x120                      | Hex head bolt M8x120                    |
| 8    | 1   | R085Y    | Gegolfde veerring M8                    | Wave spring washer M8                   |
| 9    | 1   | M08Y     | Moer M8                                 | Nut M8                                  |
| 10   | 1   | 16-3571  | Slang                                   | Hose                                    |
| 11   | 1   | 16-3347  | Pijp                                    | Tube                                    |
| 12   | 2   | 16-4713  | Klem Ø27                                | Clamp Ø27                               |
| 13   | 2   | 16-4712  | Steun                                   | Bracket                                 |
| 14   | 2   | B06257Y  | Inbusbout M6x25                         | Allen bolt M6x25                        |
| 15   | 2   | M06Y     | Moer M6                                 | Nut M6                                  |
| 16   | 2   | B08165YT | Zeskantbout M8x16                       | Hex head bolt M8x16                     |



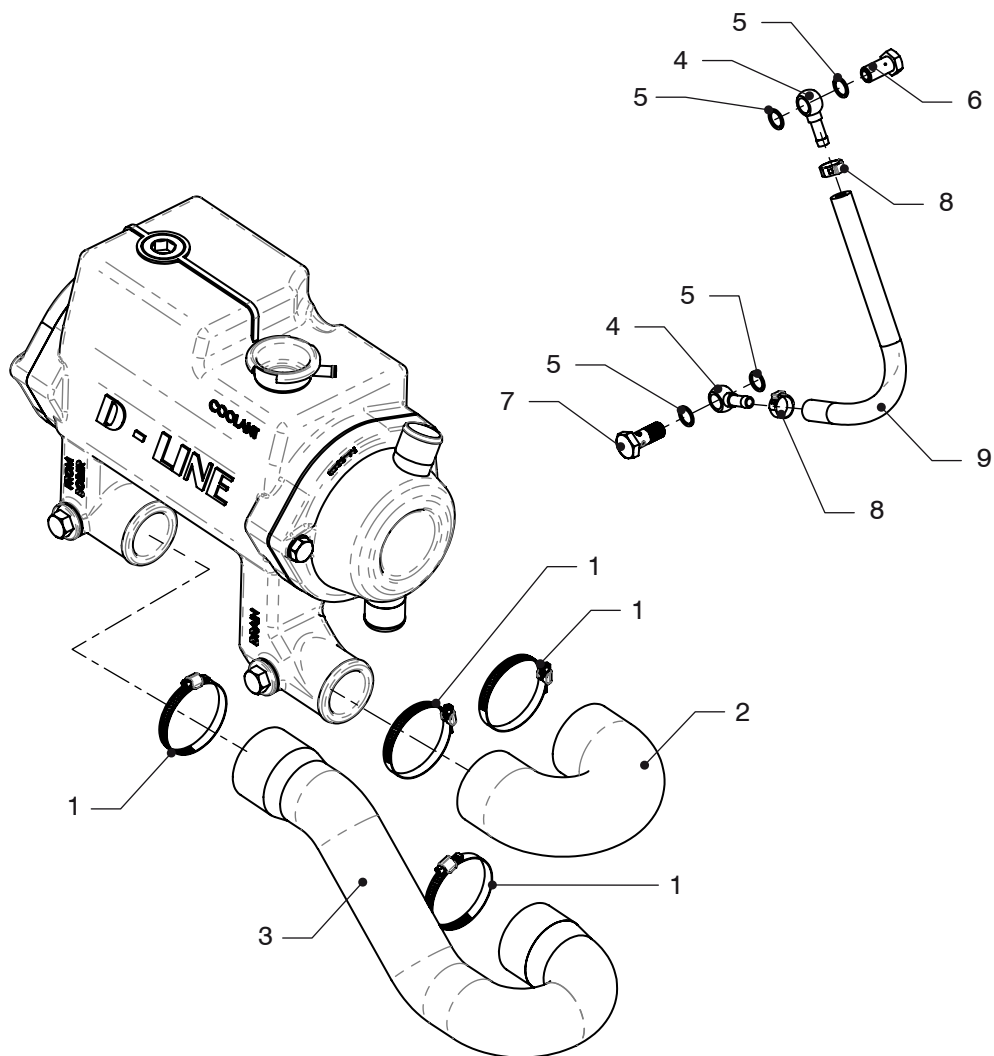
VD6.170

VD6.210

Buitenwater koelsysteem

Raw water cooling system

| pos. | qty | part     | benaming                      | description                   |
|------|-----|----------|-------------------------------|-------------------------------|
| 17   | 1   | R085Y    | Gegolfde veerring M8          | Wave spring washer M8         |
| 18   | 1   | 08-00042 | Slang                         | Hose                          |
| 19   | 1   | 16-3356  | Slang                         | Hose                          |
| 20   | 1   | 16-3368  | Slang                         | Hose                          |
| 21   | 1   | 16-4806  | Klem                          | Clamp                         |
| 22   | 1   | B06165YT | Zeskantbout M6x16             | Hex head bolt M6x16           |
| 23   | 1   | B065Y    | Gegolfde veerring M6          | Wave spring washer M6         |
| 24   | 1   | 16-4565  | Slang                         | Hose                          |
| 25   | 2   | HT5033   | Nippel 3/8"-M16               | Nipple 3/8"-M16               |
|      | 2   | CT30112  | Nippel G1/2 - M16 PRM750-1000 | Nipple G1/2 - M16 PRM750-1000 |
| 26   | 2   | CT50080  | Olieslang l=350               | Oil hose l=350                |
|      | 2   | CT50079  | Olieslang l=550 PRM750-1000   | Oil hose l=550 PRM750-1000    |
| 27   | 2   | 17-10327 | Nippel 3/8"-M16               | Nipple 3/8"-M16               |



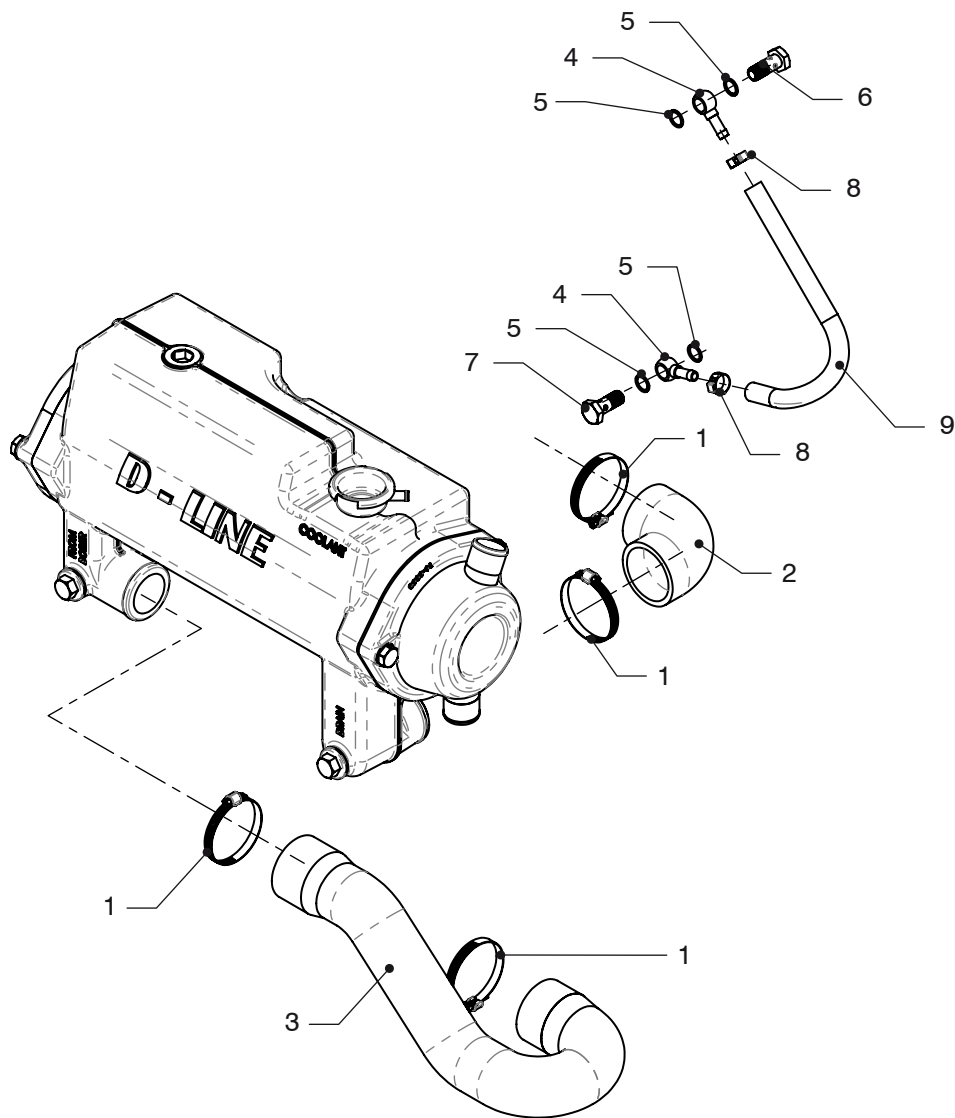
VD4.120

VD4.140

Intern koelsysteem

Internal cooling system

| pos. | qty | part    | benaming                          | description                  |
|------|-----|---------|-----------------------------------|------------------------------|
| 1    | 4   | STM3006 | Slangklem 50-70                   | Hose clamp 50-70             |
| 2    | 1   | 16-4801 | Slang                             | Hose                         |
| 3    | 1   | 16-3338 | Slang                             | Hose                         |
| 4    | 2   | STM9262 | Banjo-oog 12-Ø8                   | Banjo-eye 12-Ø8              |
| 5    | 4   | STM7056 | Afdichtring M12                   | Seal washer M12              |
| 6    | 1   | 16-5600 | Ontluchttings banjo-bout M12x1,75 | Bleeding banjo-bolt M12x1,75 |
| 7    | 1   | STM9675 | Banjo-bout M12x1,5                | Banjo-bolt M12x1,5           |
| 8    | 2   | STM6185 | Klem                              | Clamp                        |
| 9    | 1   | 17-7565 | Slang Ø8 l=260mm                  | Hose Ø8 l=260                |



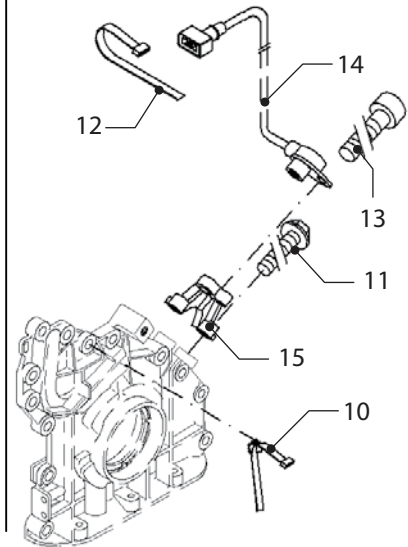
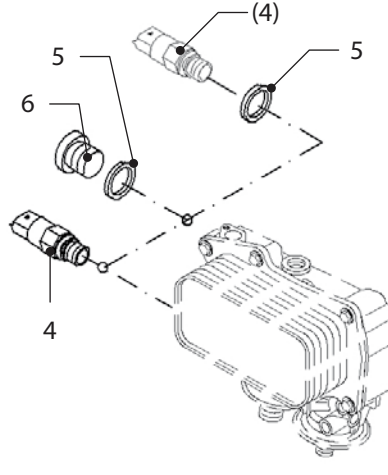
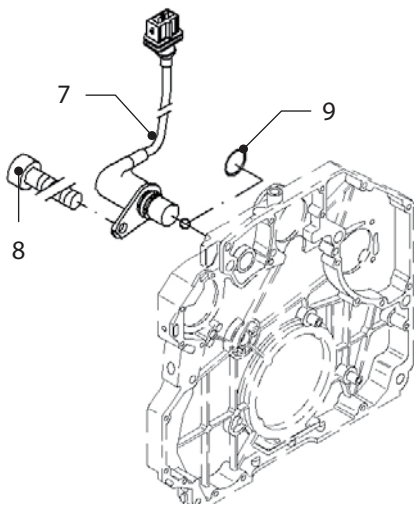
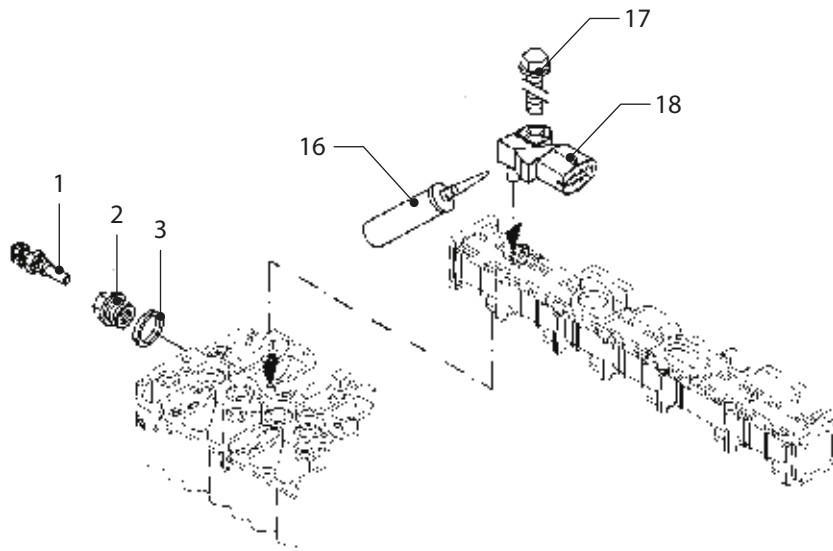
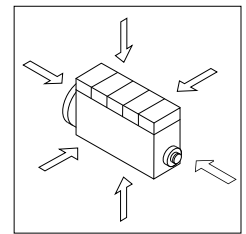
VD6.170

VD6.210

Intern koelsysteem

Internal cooling system

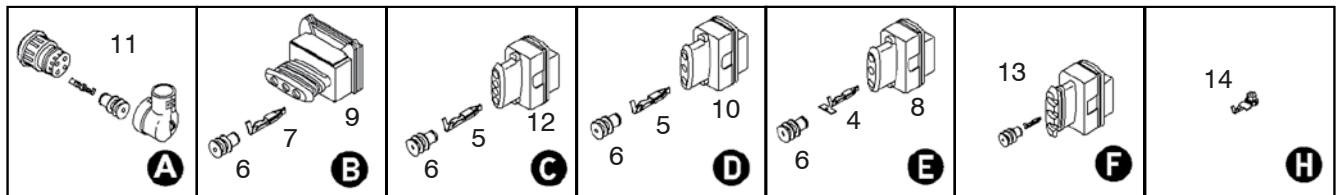
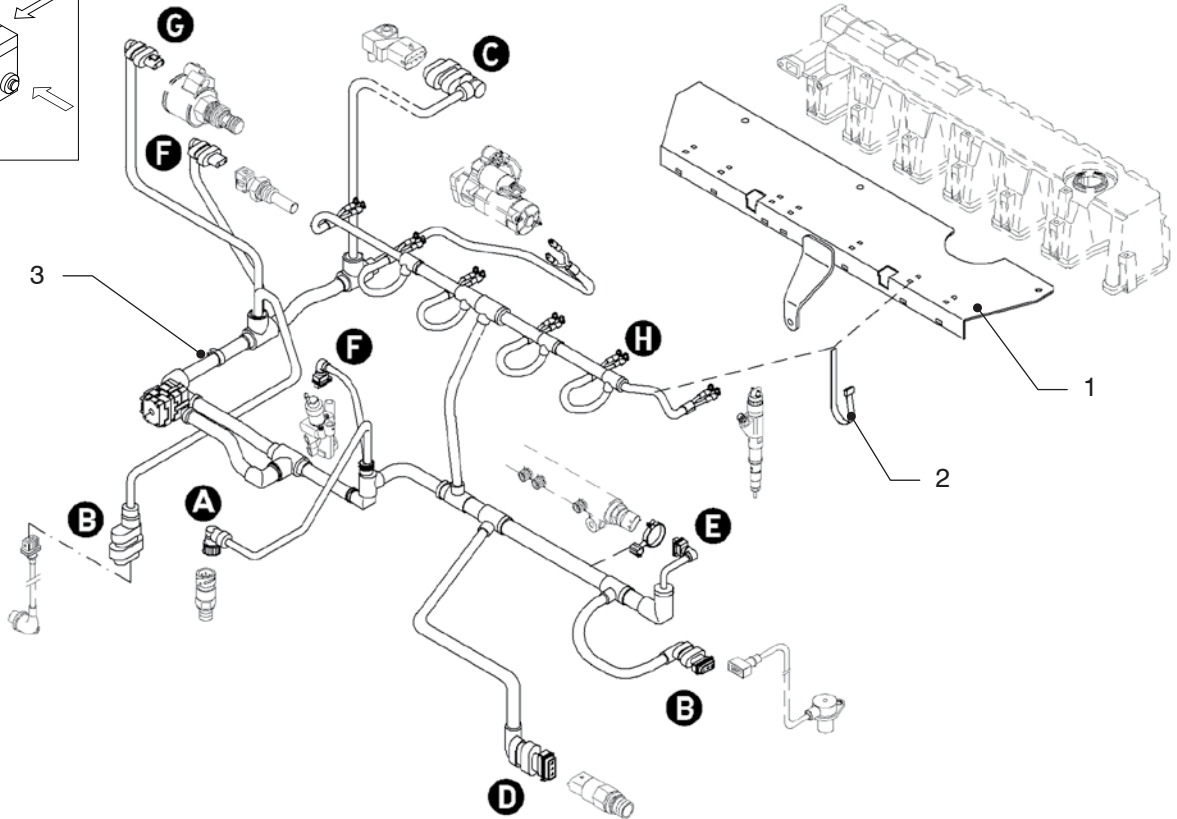
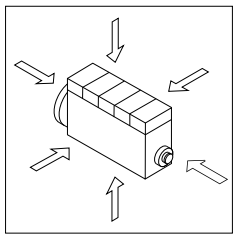
| pos. | qty | part    | benaming                          | description                  |
|------|-----|---------|-----------------------------------|------------------------------|
| 1    | 4   | STM3006 | Slangklem 50-70                   | Hose clamp 50-70             |
| 2    | 1   | 16-3340 | Slang                             | Hose                         |
| 3    | 1   | 16-3338 | Slang                             | Hose                         |
| 4    | 2   | STM9262 | Banjo-oog 12-Ø8                   | Banjo-eye 12-Ø8              |
| 5    | 4   | STM7056 | Afdichtring M12                   | Seal washer M12              |
| 6    | 1   | 16-5600 | Ontluchttings banjo-bout M12x1,75 | Bleeding banjo-bolt M12x1,75 |
| 7    | 1   | STM9675 | Banjo-bout M12x1,5                | Banjo-bolt M12x1,5           |
| 8    | 2   | STM6185 | Klem                              | Clamp                        |
| 9    | 1   | 16-6077 | Slang Ø8 l=275mm                  | Hose Ø8 l=275                |



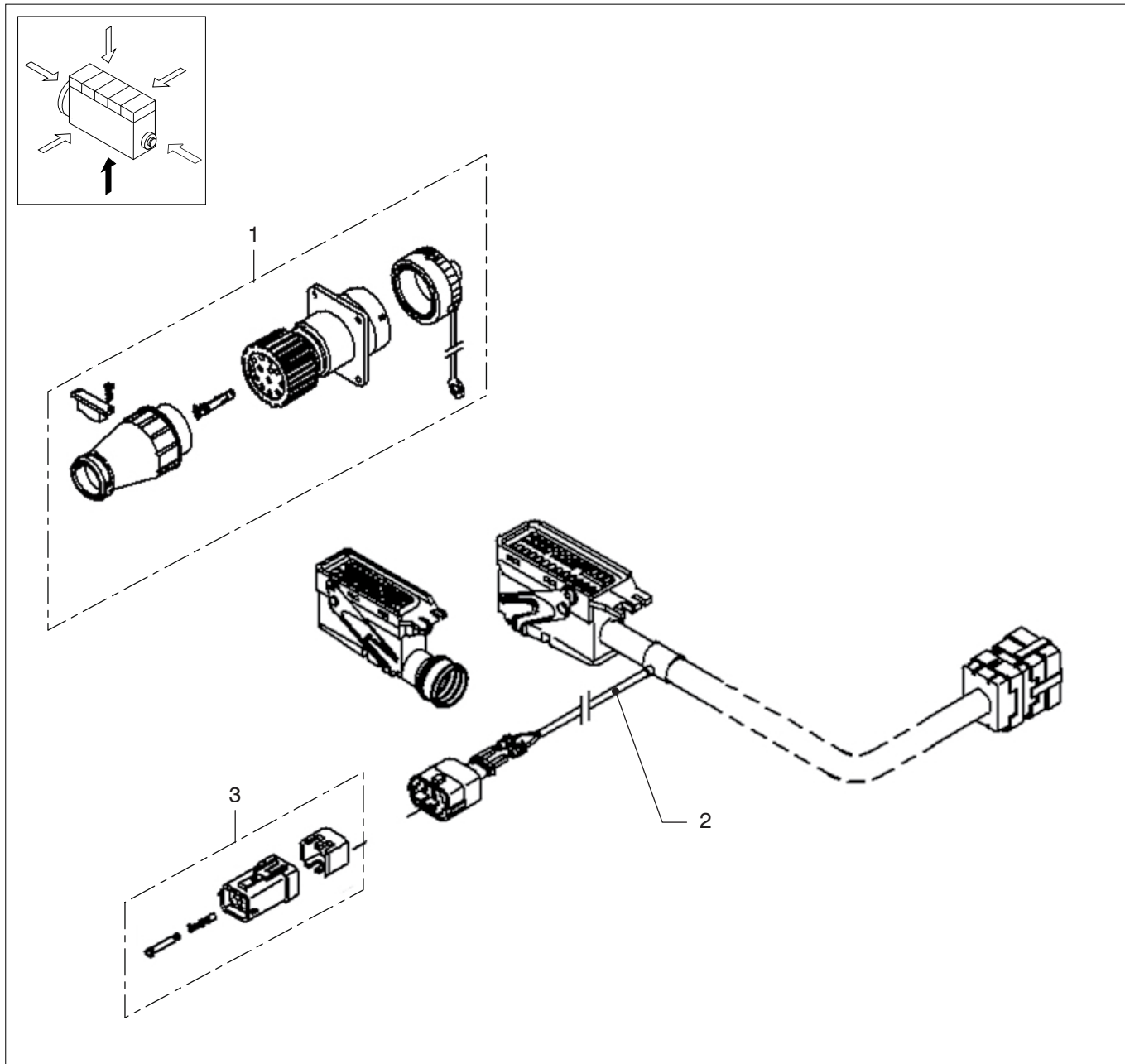
**VD4.120 VD4.140 Elektrische uitrusting**  
**VD6.170 VD6.210**

**Electrical equipment**

| pos. | qty | part    | benaming           | description        |                     |
|------|-----|---------|--------------------|--------------------|---------------------|
| 1    | 1   | DZ48001 | Temperatuur zender | Temperature sensor |                     |
| 2    | 1   | DZ48003 | Verloopnippel      | Adapter nipple     |                     |
| 3    | 1   | DZ48004 | Afdichtring        | Sealing ring       |                     |
| 4    | 1   | DZ48005 | Drukzender         | Pressure sensor    |                     |
| 5    | 1   | DZ48006 | Afdichtring        | VD4                | Sealing ring VD4    |
| 6    | 1   | DZ48007 | Plug               | VD4                | Screw plug VD4      |
| 7    | 1   | DZ48020 | Toerental sensor   | RPM sensor         |                     |
| 8    | 1   | DZ48022 | Inbusbout          | Allen bolt         |                     |
| 9    | 1   | DZ48025 | O-Ring             | O-seal             |                     |
| 10   | 1   | DZ48029 | Klemband           | Clamping band      |                     |
| 11   | 2   | DZ48035 | Zeskantbout        | Hexagon bolt       |                     |
| 12   | 1   | DZ48036 | Klemband           | Clamping band      |                     |
| 13   | 1   | DZ48037 | Klemband           | Clamping band      |                     |
| 14   | 1   | DZ48038 | Toerental sensor   | RPM sensor         |                     |
| 15   | 1   | DZ48039 | Beugel             | Bracket            |                     |
| 16   | 1   | DZ48040 | Montagepasta       | VD6                | Mounting device VD6 |
| 17   | 1   | DZ48041 | Zeskantbout        | VD6                | Hexagon bolt VD6    |
| 18   | 1   | DZ48042 | Drukzender         | VD6                | Pressure sensor VD6 |

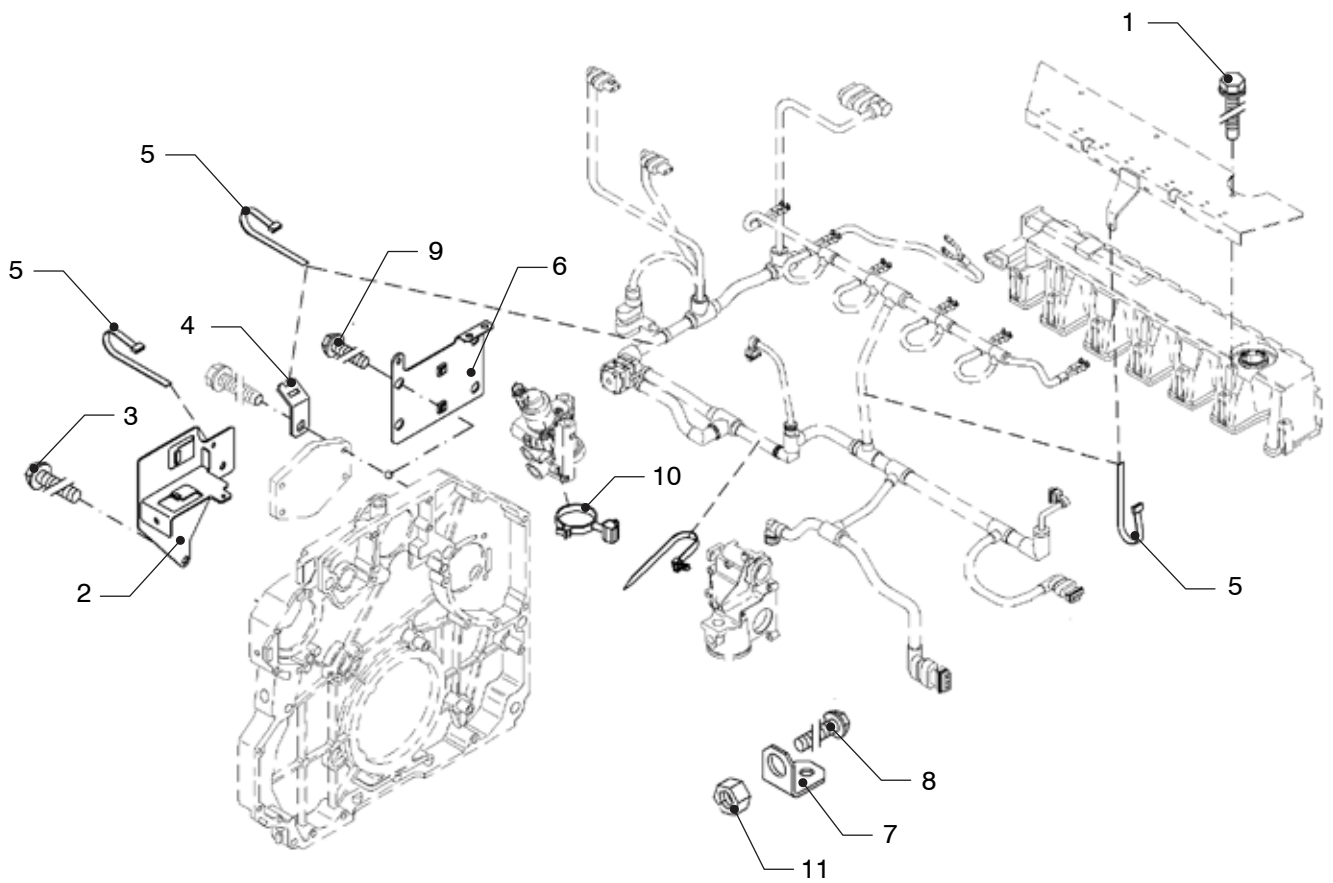
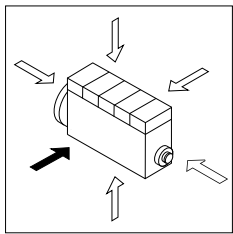


| VD4.120<br>VD6.170 |     | VD4.140<br>VD6.210 | Draadboom         | Cable harness |                    |     |
|--------------------|-----|--------------------|-------------------|---------------|--------------------|-----|
| pos.               | qty | part               | benaming          |               | description        |     |
| 1                  | 1   | DZ48010            | Afdekplaat        |               | Cover plate        |     |
| 2                  | 7   | DZ48016            | Klemband          |               | Clamping band      |     |
| 3                  | 1   | DZ48050            | Motorbedrading    | VD4           | Engine wiring loom | VD4 |
|                    | 1   | DZ48050            | Motorbedrading    | VD6           | Engine wiring loom | VD6 |
| 4                  | 5   | DZ48052            | Plug              |               | Jack               |     |
| 5                  | 9   | DZ48053            | Plug              |               | Jack               |     |
| 6                  | 20  | DZ48054            | Pakking           |               | Gasket             |     |
| 7                  | 6   | DZ48056            | Plug              |               | Jack               |     |
| 8                  | 1   | DZ48058            | Behuizing         |               | Housing            |     |
| 9                  | 2   | DZ48059            | Behuizing         |               | Housing            |     |
| 10                 | 1   | DZ48060            | Behuizing         |               | Housing            |     |
| 11                 | 1   | DZ48061            | Plug-in connector |               | Plug-in connector  |     |
| 12                 | 1   | DZ48062            | Behuizing         |               | Housing            |     |
| 13                 | 2   | DZ48063            | Plug-in connector |               | Plug-in connector  |     |
| 14                 | 8   | DZ48145            | Kabelschoen       | VD4           | Cable lug          | VD4 |
|                    | 12  | DZ48145            | Kabelschoen       | VD6           | Cable lug          | VD6 |



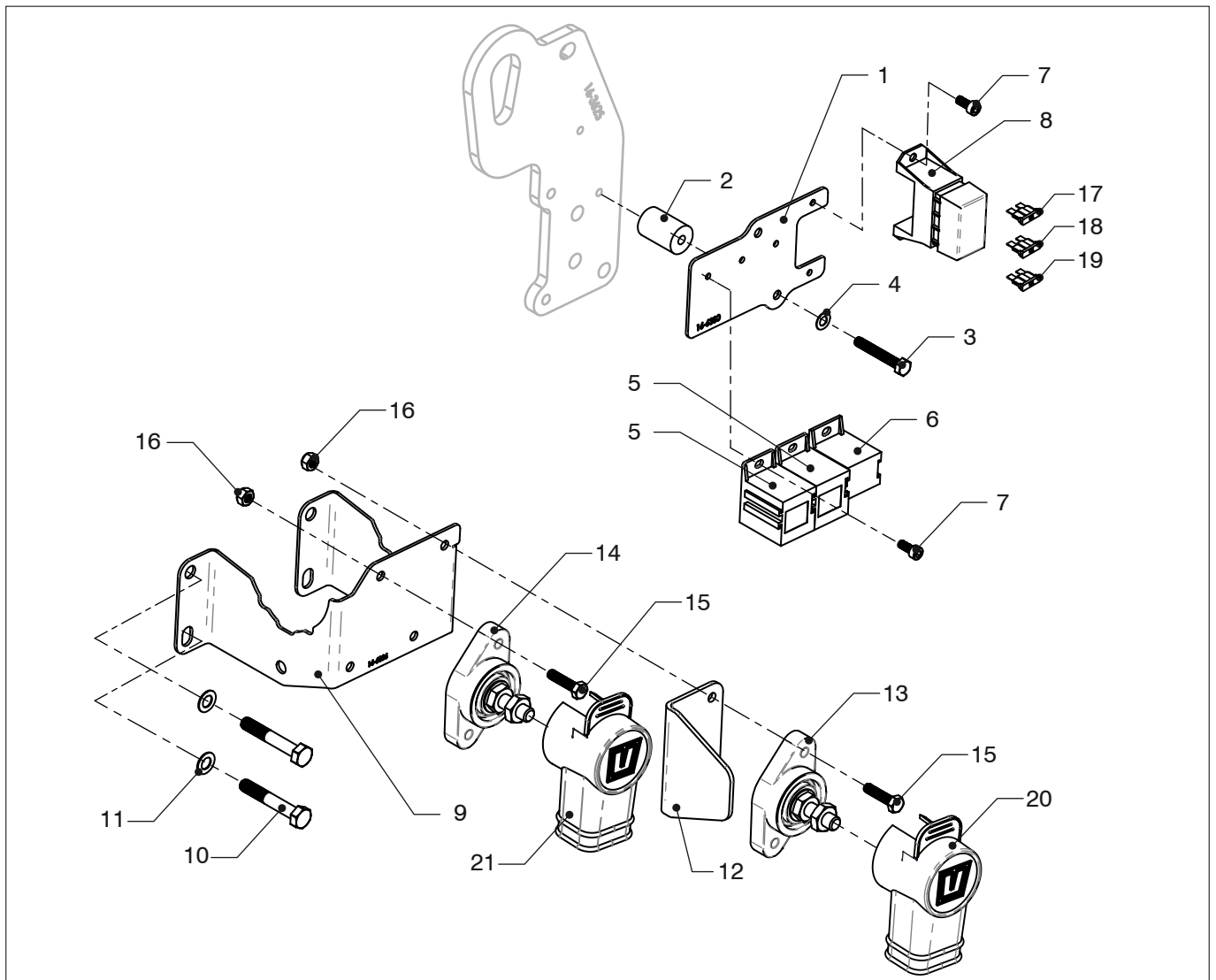
|      |     | VD4.120<br>VD6.170 | VD4.140<br>VD6.210 | Bedrading ECU              | Wiring ECU |
|------|-----|--------------------|--------------------|----------------------------|------------|
| pos. | qty | part               | benaming           | description                |            |
| 1    | 1   | DZ48072            | Plug-in connector  | Plug-in connector          |            |
| 2    | 1   | DZ48049            | Tussenkabel 2,5 m  | Interconnecting cable 2,5m |            |
| 3    | 1   | DZ47098            | Plug-in connector  | Plug-in connector          |            |
|      |     |                    |                    |                            |            |
|      |     |                    |                    |                            |            |
|      |     |                    |                    |                            |            |
|      |     |                    |                    |                            |            |
|      |     |                    |                    |                            |            |
|      |     |                    |                    |                            |            |
|      |     |                    |                    |                            |            |



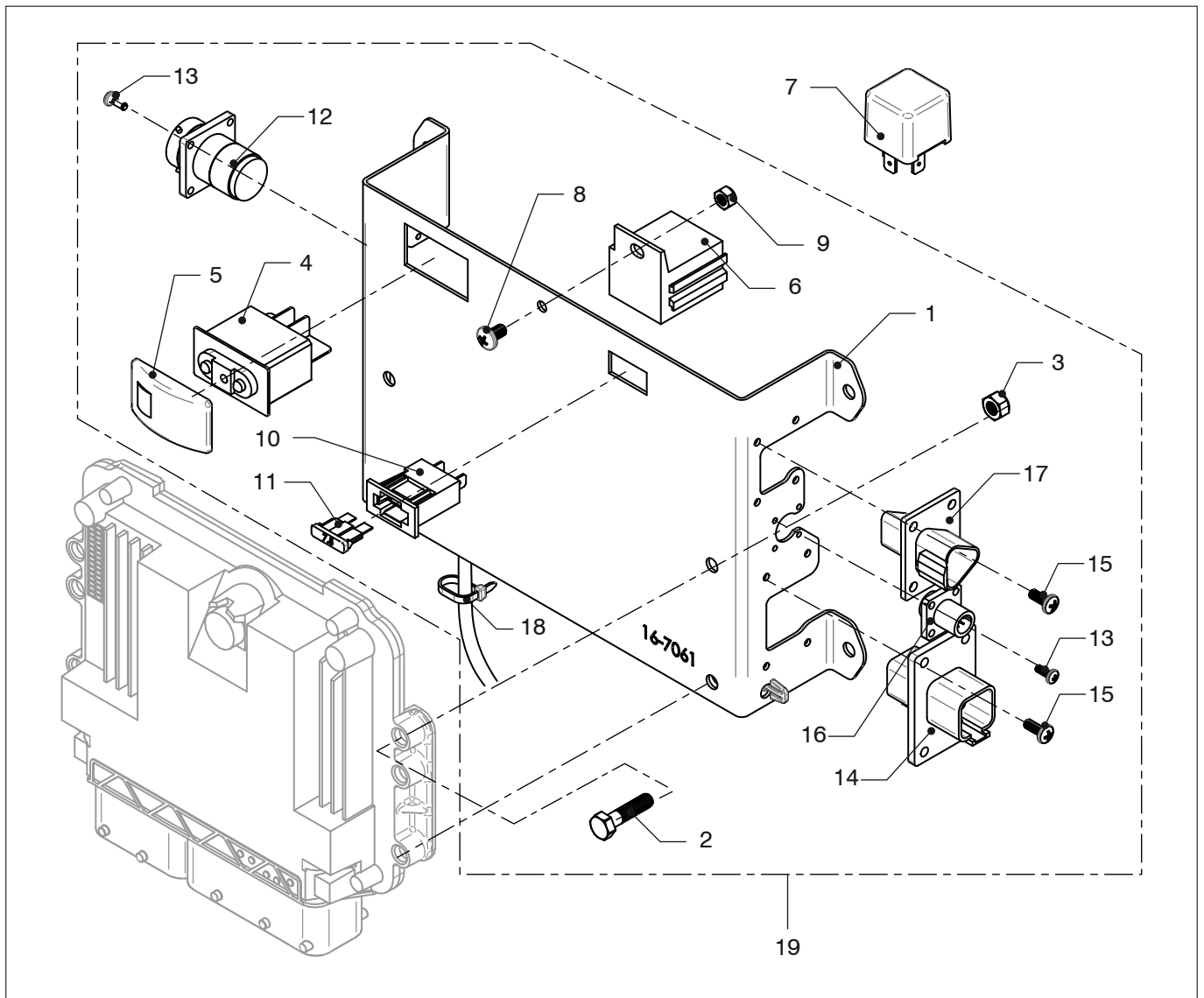


| VD4.120<br>VD6.170 | VD4.140<br>VD6.210 | Motorbedrading | Engine wiring |
|--------------------|--------------------|----------------|---------------|
|--------------------|--------------------|----------------|---------------|

| pos. | qty | part    | benaming     |             | description     |               |     |
|------|-----|---------|--------------|-------------|-----------------|---------------|-----|
| 1    | 2   | DZ48021 | Zeskantbout  | VD4         | Hexagon bolt    | VD4           |     |
|      |     | 3       | DZ48021      | Zeskantbout | VD6             | Hexagon bolt  | VD6 |
| 2    | 1   | DZ48082 | Beugel       |             | Bracket         |               |     |
| 3    | 6   | DZ48085 | Zeskantbout  | VD4         | Hexagon bolt    | VD4           |     |
|      |     | 2       | DZ48085      | Zeskantbout | VD6             | Hexagon bolt  | VD6 |
| 4    | 1   | DZ48086 | Beugel       | VD4         | Bracket         | VD4           |     |
| 5    | 7   | DZ48087 | Klemband     | VD4         | Clamping band   | VD4           |     |
|      |     | 10      | DZ48087      | Klemband    | VD6             | Clamping band | VD6 |
| 6    | 1   | DZ48089 | Montageplaat |             | Retaining plate |               |     |
| 7    | 1   | DZ48090 | Beugel       | VD6         | Bracket         | VD6           |     |
| 8    | 1   | DZ48091 | Zeskantbout  | VD6         | Hexagon bolt    | VD6           |     |
| 9    | 6   | DZ48092 | Zeskantbout  |             | Hexagon bolt    |               |     |
| 10   | 2   | DZ48141 | Klemband     | VD4         | Clamping band   | VD4           |     |
| 11   | 1   | DZ48144 | Zeskantmoer  | VD6         | Hexagon nut     | VD6           |     |



|      |     | VD4.120<br>VD6.170 | VD4.140<br>VD6.210                   | Bedradings assy                    | Wiring assy |
|------|-----|--------------------|--------------------------------------|------------------------------------|-------------|
| pos. | qty | part               | benaming                             | description                        |             |
| 1    | 1   | 16-6380            | Relais steun                         | Relay bracket                      |             |
| 2    | 2   | 16-6394            | Bus l=30                             | Bush l=30                          |             |
| 3    | 2   | B06405YT           | Zeskantbout M6x40                    | Hex head bolt M6x40                |             |
| 4    | 2   | R065Y              | Gegolfde veerring M6                 | Wave spring washer M6              |             |
| 5    | 2   | STM8228            | Relaishouder 70A                     | Relay foot 70A                     |             |
| 6    | 1   | STM9052            | Relaishouder 30A                     | Relay foot 30A                     |             |
| 7    | 5   | B05127Y            | Inbusbout M5x12                      | Allen bolt M5x12                   |             |
| 8    | 1   | 16-5892            | Zekeringhouder                       | Fuse holder                        |             |
| 9    | 1   | 16-6836            | Steun                                | Bracket                            |             |
| 10   | 4   | B08505Y            | Zeskantbout M8x50                    | Hex head bolt M8x50                |             |
| 11   | 4   | R085Y              | Gegolfde veerring M8                 | Wave spring washer M8              |             |
| 12   | 1   | 16-6869            | Isolatieplaat                        | Isolation plate                    |             |
| 13   | 1   | 16-6878            | Terminal 3/8"-16 zwart               | Power stud 3/8"-16 black           |             |
| 14   | 1   | 16-6864            | Terminal 3/8"-16 rood                | Power stud 3/8"-16 red             |             |
| 15   | 4   | B06257Y            | Inbusbout M6x25                      | Allen bolt M6x25                   |             |
| 16   | 4   | M06127Y            | Zelfborgende moer M6                 | Nyloc nut M6                       |             |
| 17   | 1   | BFUSE03            | Steekzekering 3A (starten)           | Blade fuse 3A (start)              |             |
| 18   | 1   | BFUSE25            | Steekzekering 25A (el.olieaftappomp) | Blade fuse 25A (Electric oil pump) |             |
| 19   | 1   | BFUSE10            | Steekzekering 10A (EMR)              | Blade fuse 10A (EMR)               |             |
| 20   | 1   | 19-16625           | Isolatie kap zwart                   | Isolation cap black                |             |
| 21   | 1   | 19-16600           | Isolatie kap rood                    | Isolation cap red                  |             |



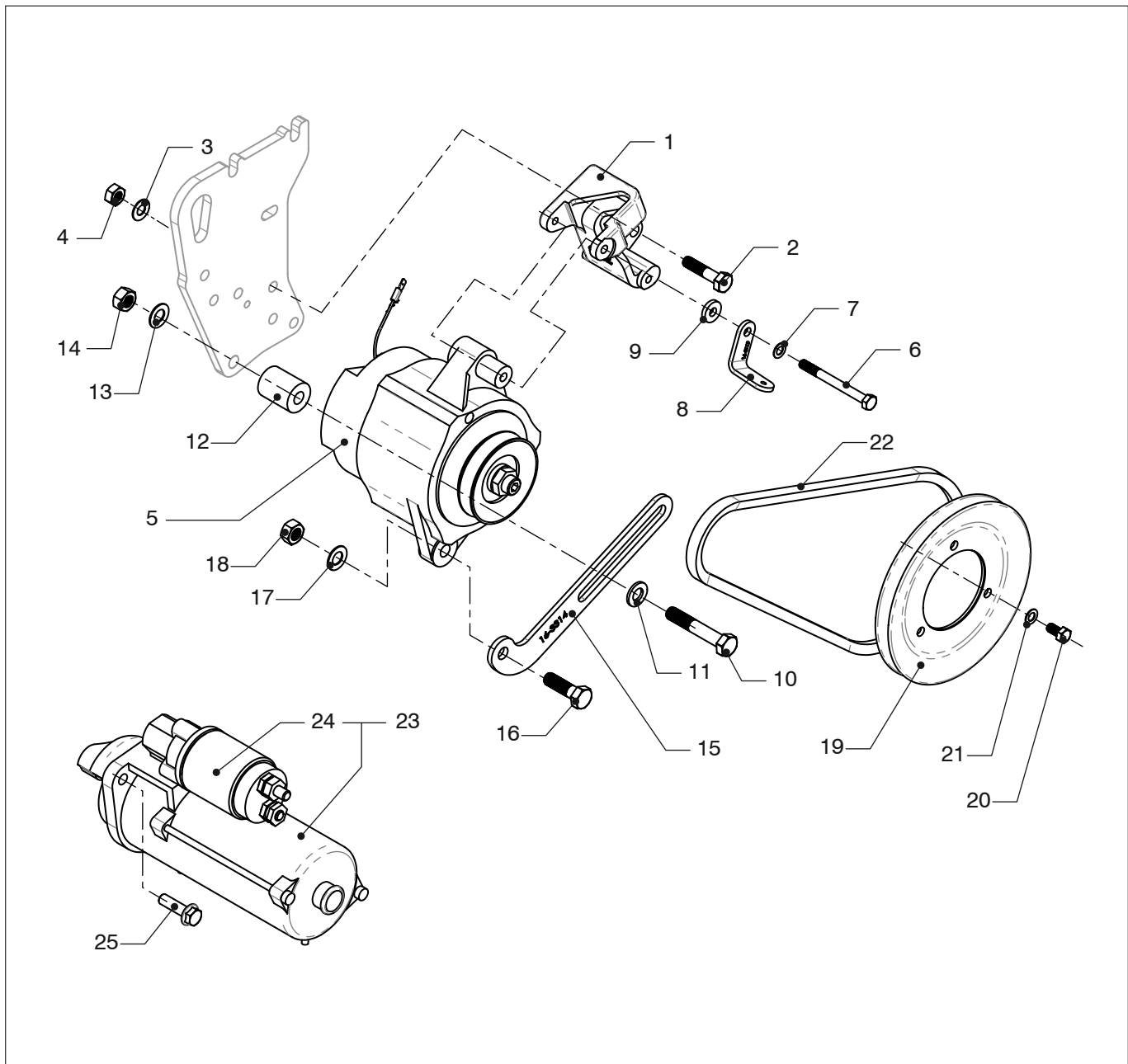
**VD4.120**  
**VD6.170**

**VD4.140**  
**VD6.210**

**Engine Control Unit assy**

**Engine Control Unit assy**

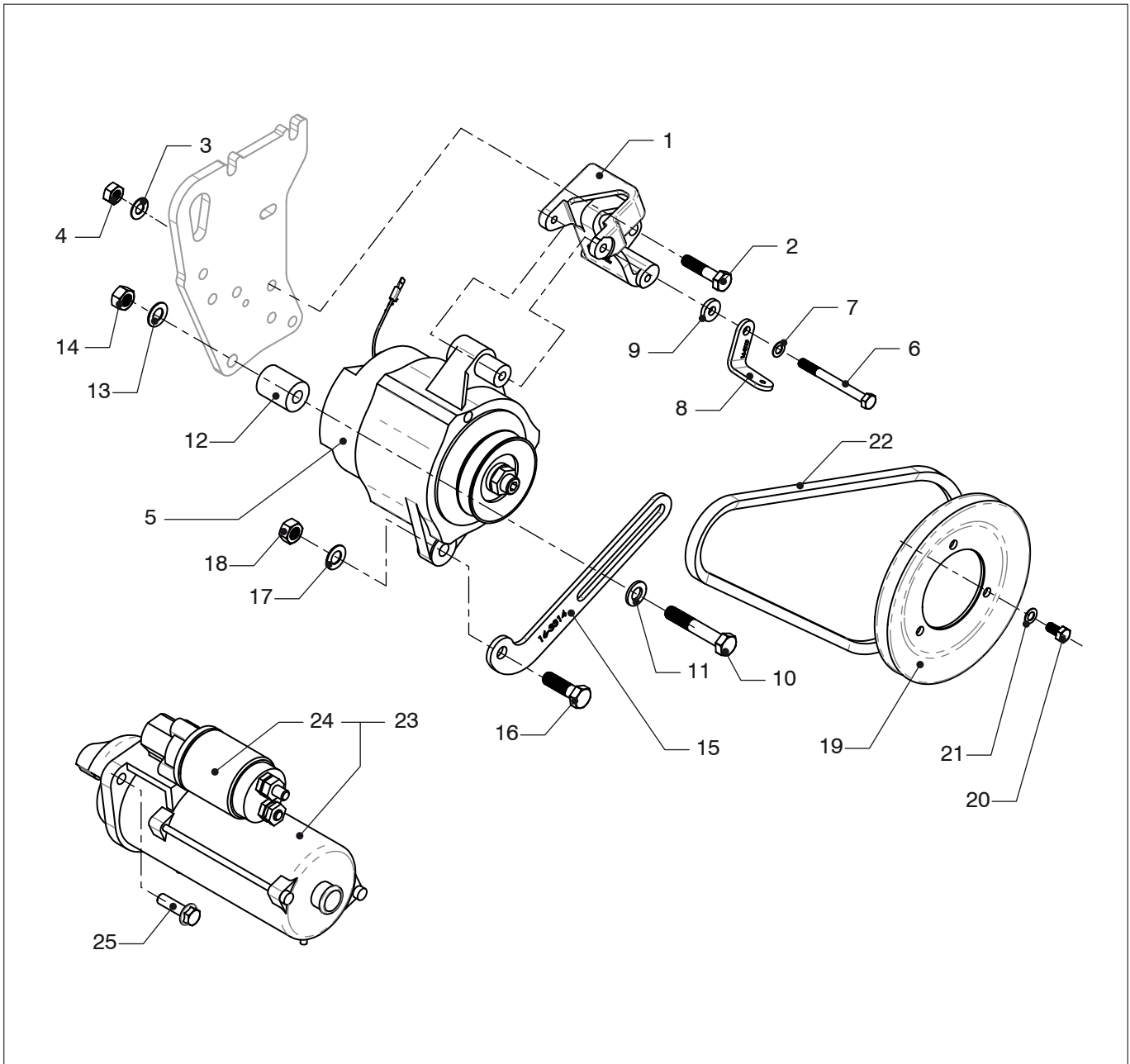
| pos. | qty | part     | benaming                       | description                    |
|------|-----|----------|--------------------------------|--------------------------------|
| 1    | 1   | 16-7061  | Steun                          | Bracket                        |
| 2    | 4   | B06255R  | Zeskantbout M6x25              | Hex head bolt M6x25            |
| 3    | 4   | M06BR    | Zelfborgende moer M6           | Nyloc nut M6                   |
| 4    | 1   | 17-8504  | Schakelaar                     | Switch                         |
| 5    | 1   | 17-8637  | Kap                            | Cap                            |
| 6    | 1   | STM9052  | Relaishouder                   | Relay foot                     |
| 7    | 1   | STM9050  | Relais 12V                     | Relay 12V                      |
|      | 1   | STM8295  | Relais 24V                     | Relay 24V                      |
| 8    | 1   | B05083RK | Schroef M5x8                   | Screw M5x8                     |
| 9    | 1   | M05BR    | Zelfborgende moer M5           | Nyloc nut M5                   |
| 10   | 1   | BP255    | Zekeringhouder                 | Fuse holder                    |
| 11   | 1   | BFUSE07  | ATO steekzekering 7,5A         | ATO fuse 7,5A                  |
| 12   | 1   | 16-7242  | Stekkerbus (diagnose)          | Pin jack (diagnose)            |
| 13   | 8   | B03083RK | Schroef M3x8                   | Screw M3x8                     |
| 14   | 1   | 16-7220  | Stekkerbus (can)               | Pin jack (can)                 |
| 15   | 8   | B04103RK | Schroef M4x10                  | Screw M4x10                    |
| 16   | 1   | 16-7219  | Stekkerbus (paneel)            | Pin jack (panel)               |
| 17   | 1   | 16-7217  | Stekkerbus (gashandel)         | Pin jack (throttle)            |
| 18   | 1   | 17-9689  | Kabelbinder                    | Cable tie                      |
| 19   | 1   | 16-7210  | Assy (exclusief ECU en relais) | Assy (exclusive ECU and relay) |



**VD4.120**    **VD4.140**    **Dynamo 12V-160A 1p**  
**VD6.170**    **VD6.210**

**Alternator 12V-160A 1p**

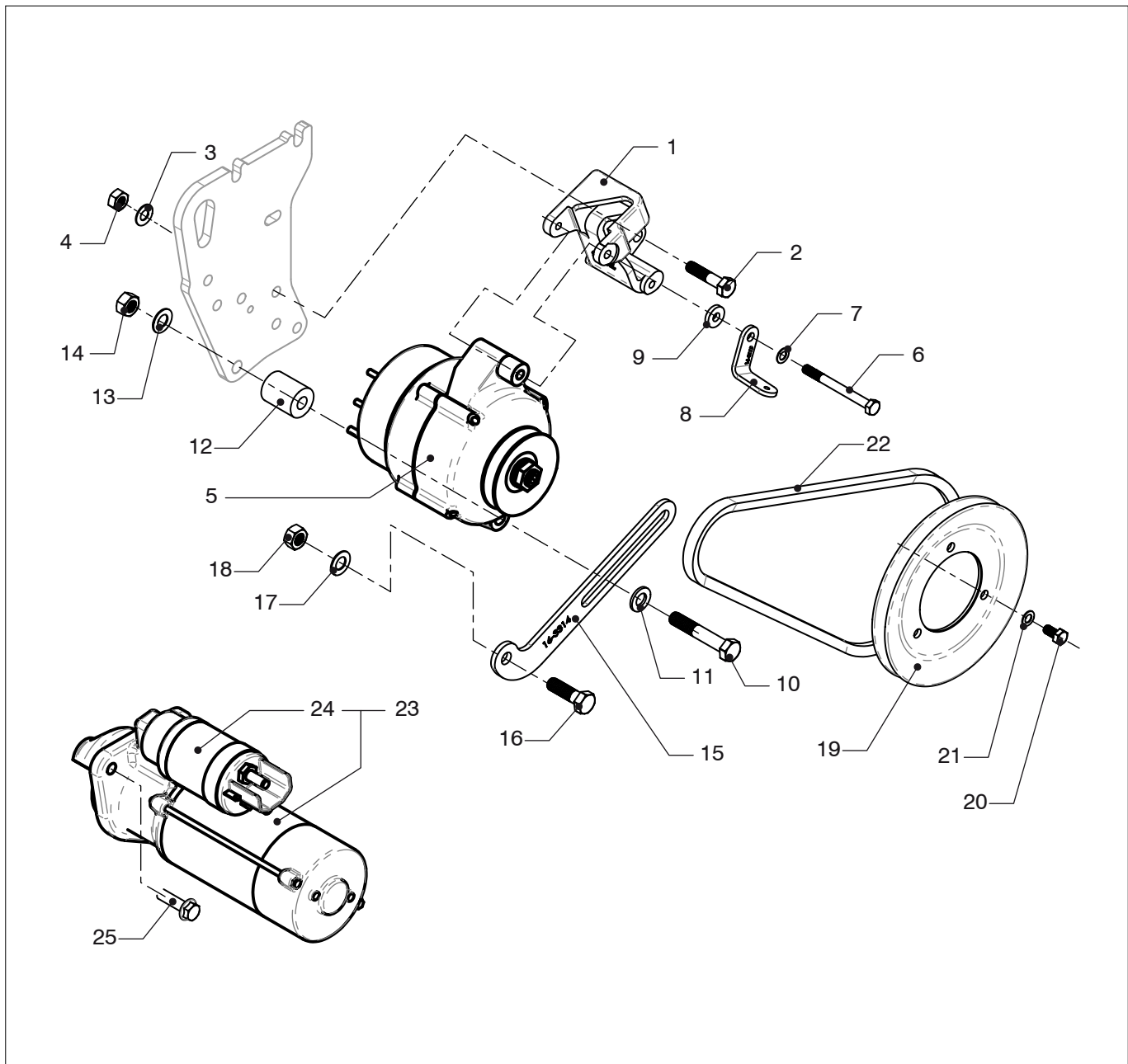
| pos. | qty | part    | benaming              | description            |
|------|-----|---------|-----------------------|------------------------|
| 1    | 1   | 16-5573 | Steun                 | Support                |
| 2    | 3   | B10455Y | Zeskantbout M10x45    | Hex head bolt M10x45   |
| 3    | 3   | R105Y   | Gegolfde veerring M10 | Wave spring washer M10 |
| 4    | 3   | M10Y    | Moer M10              | Nut M10                |
| 5    | 1   | 16-3259 | Dynamo 12V-160A 1p    | Alternator 12V-160A 1p |
| 6    | 1   | B08855Y | Zeskantbout M8x85     | Hex head bolt M8x85    |
| 7    | 1   | R085Y   | Gegolfde veerring M5  | Wave spring washer M5  |
| 8    | 1   | 16-5929 | Steun                 | Bracket                |
| 9    | 1   | CT30059 | Ring d=4              | Washer d=4             |
| 10   | 1   | B12705Y | Zeskantbout M12x70    | Hex head bolt M12x70   |
| 11   | 1   | STM3258 | Ring d=3              | Washer d=3             |
| 12   | 1   | 16-3315 | Bus l=38              | Bush l=38              |
| 13   | 1   | R125Y   | Gegolfde veerring M12 | Wave spring washer M12 |
| 14   | 1   | M12Y    | Moer M12              | Nut M12                |
| 15   | 1   | 16-3314 | Spansteun             | Tensioner bracket      |
| 16   | 1   | B12405Y | Zeskantbout M12x40    | Hex head bolt M12x40   |



**VD4.120**    **VD4.140**    **Dynamo 12V-160A 1p**  
**VD6.170**    **VD6.210**

**Alternator 12V-160A 1p**

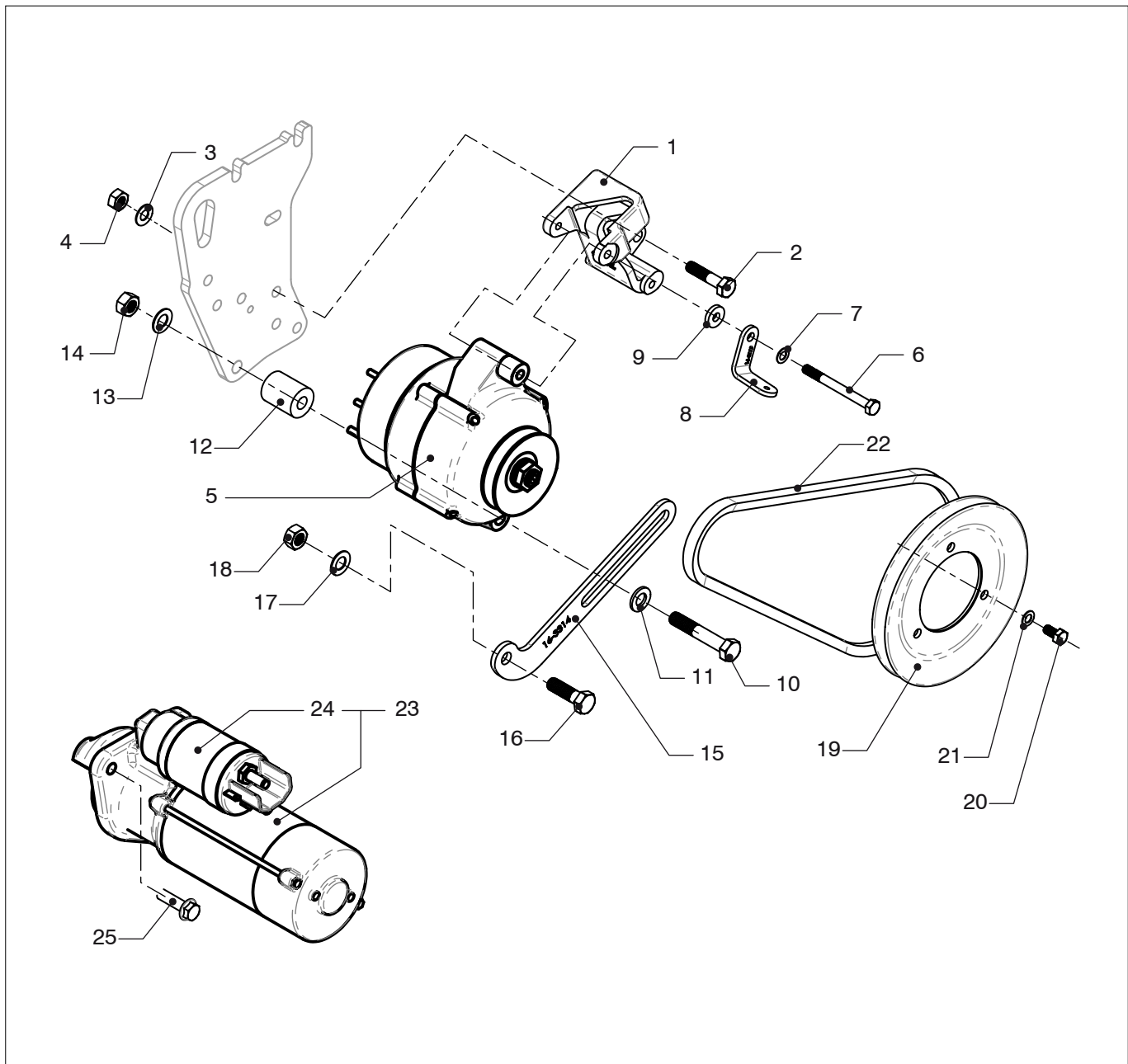
| pos. | qty | part              | benaming               | description             |
|------|-----|-------------------|------------------------|-------------------------|
| 17   | 1   | <b>R125Y</b>      | Gegolfde veerring M12  | Wave spring washer M12  |
| 18   | 1   | <b>M12Y</b>       | Moer M12               | Nut M12                 |
| 19   | 1   | <b>18-15643</b>   | Snaarschijf            | Pulley                  |
| 20   | 3   | <b>B08165YT</b>   | Zeskantbout M8x16      | Hex head bolt M8x16     |
| 21   | 3   | <b>R085Y</b>      | Gegolfde veerring M8   | Wave spring washer M8   |
| 22   | 1   | <b>16-4258</b>    | SK V-snaar AVX13La 925 | SK V-belt AVX13La 925   |
| 23   | 1   | <b>STM8652</b>    | Startmotor 12V-1p      | Starter motor 12V-1p    |
| 24   | 1   | <b>STM9758</b>    | Relais                 | Relay                   |
| 25   | 3   | <b>B1035RIPPB</b> | Zeskantborgbout M10x35 | Hex.locking bolt M10x35 |



**VD4.120**    **VD4.140**    **Dynamo 24V-60A 1p**  
**VD6.170**    **VD6.210**

**Alternator 24V-60A 1p**

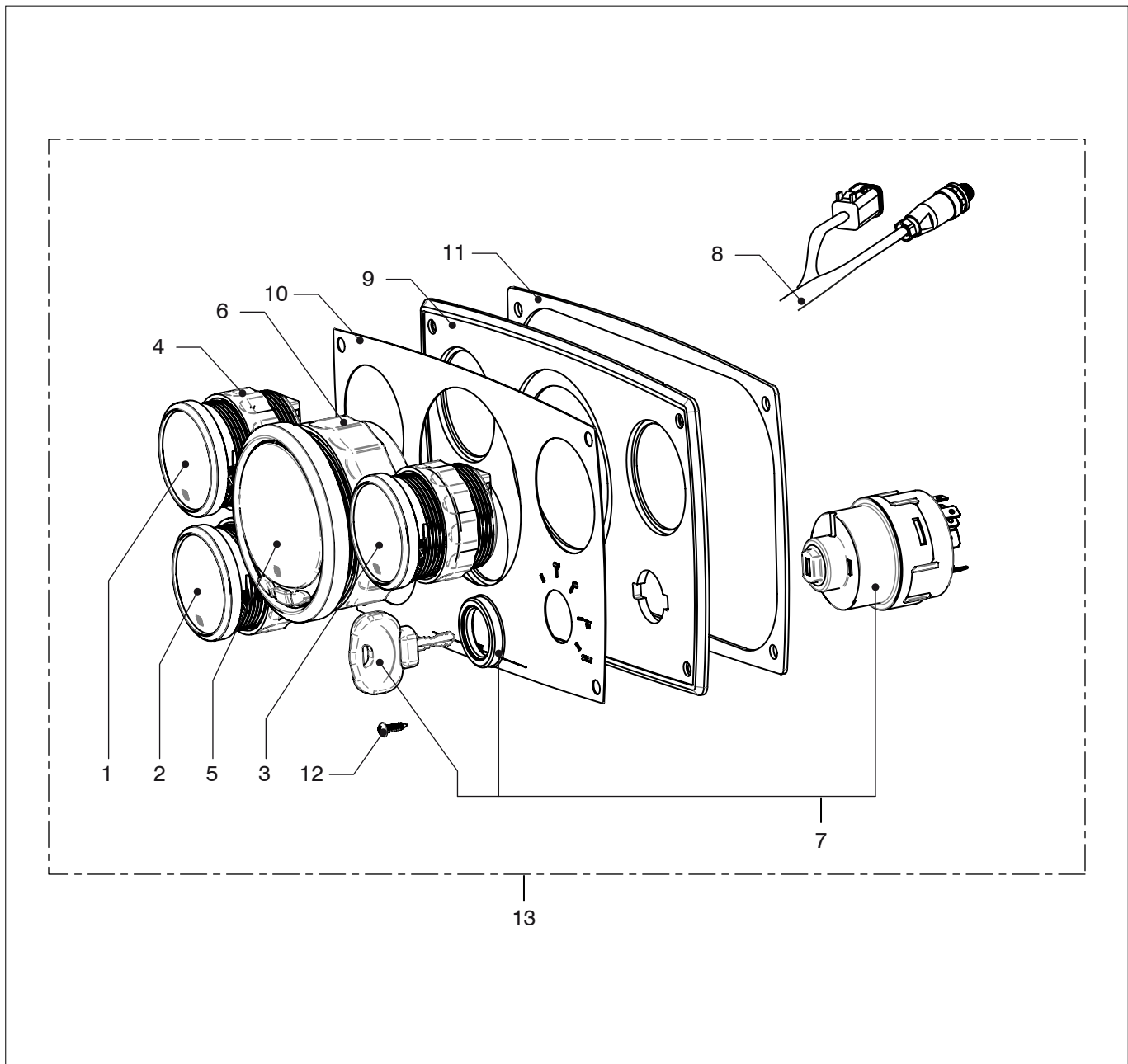
| pos. | qty | part    | benaming              | description            |
|------|-----|---------|-----------------------|------------------------|
| 1    | 1   | 16-5573 | Steun                 | Support                |
| 2    | 3   | B10455Y | Zeskantbout M10x45    | Hex head bolt M10x45   |
| 3    | 3   | R105Y   | Gegolfde veerring M10 | Wave spring washer M10 |
| 4    | 3   | M10Y    | Moer M10              | Nut M10                |
| 5    | 1   | 17-9889 | Dynamo 24V-60A 1p     | Alternator 24V-60A 1p  |
| 6    | 1   | B08855Y | Zeskantbout M8x85     | Hex head bolt M8x85    |
| 7    | 1   | R085Y   | Gegolfde veerring M5  | Wave spring washer M5  |
| 8    | 1   | 16-5929 | Steun                 | Bracket                |
| 9    | 1   | CT30059 | Ring d=4              | Washer d=4             |
| 10   | 1   | B12705Y | Zeskantbout M12x70    | Hex head bolt M12x70   |
| 11   | 1   | STM3258 | Ring d=3              | Washer d=3             |
| 12   | 1   | 17-9893 | Bus l=52              | Bush l=52              |
| 13   | 1   | R125Y   | Gegolfde veerring M12 | Wave spring washer M12 |
| 14   | 1   | M12Y    | Moer M12              | Nut M12                |
| 15   | 1   | 16-3314 | Spansteun             | Tensioner bracket      |
| 16   | 1   | B12505Y | Zeskantbout M12x50    | Hex head bolt M12x50   |



**VD4.120**    **VD4.140**    **Dynamo 24V-60A 1p**  
**VD6.170**    **VD6.210**

**Alternator 24V-60A 1p**

| pos. | qty | part       | benaming               | description             |
|------|-----|------------|------------------------|-------------------------|
| 17   | 1   | R125Y      | Gegolfde veerring M12  | Wave spring washer M12  |
| 18   | 1   | M12Y       | Moer M12               | Nut M12                 |
| 19   | 1   | 18-15643   | Snaarschijf            | Pulley                  |
| 20   | 3   | B08165YT   | Zeskantbout M8x16      | Hex head bolt M8x16     |
| 21   | 3   | R085Y      | Gegolfde veerring M8   | Wave spring washer M8   |
| 22   | 1   | 16-4258    | SK V-snaar AV13La 925  | SK V-belt AV13La 925    |
| 23   | 1   | STM8654    | Startmotor 24V-1p      | Starter motor 24V-1p    |
| 24   | 1   | STM9761    | Relais                 | Relay                   |
| 25   | 3   | B1035RIPPB | Zeskantborgbout M10x35 | Hex.locking bolt M10x35 |



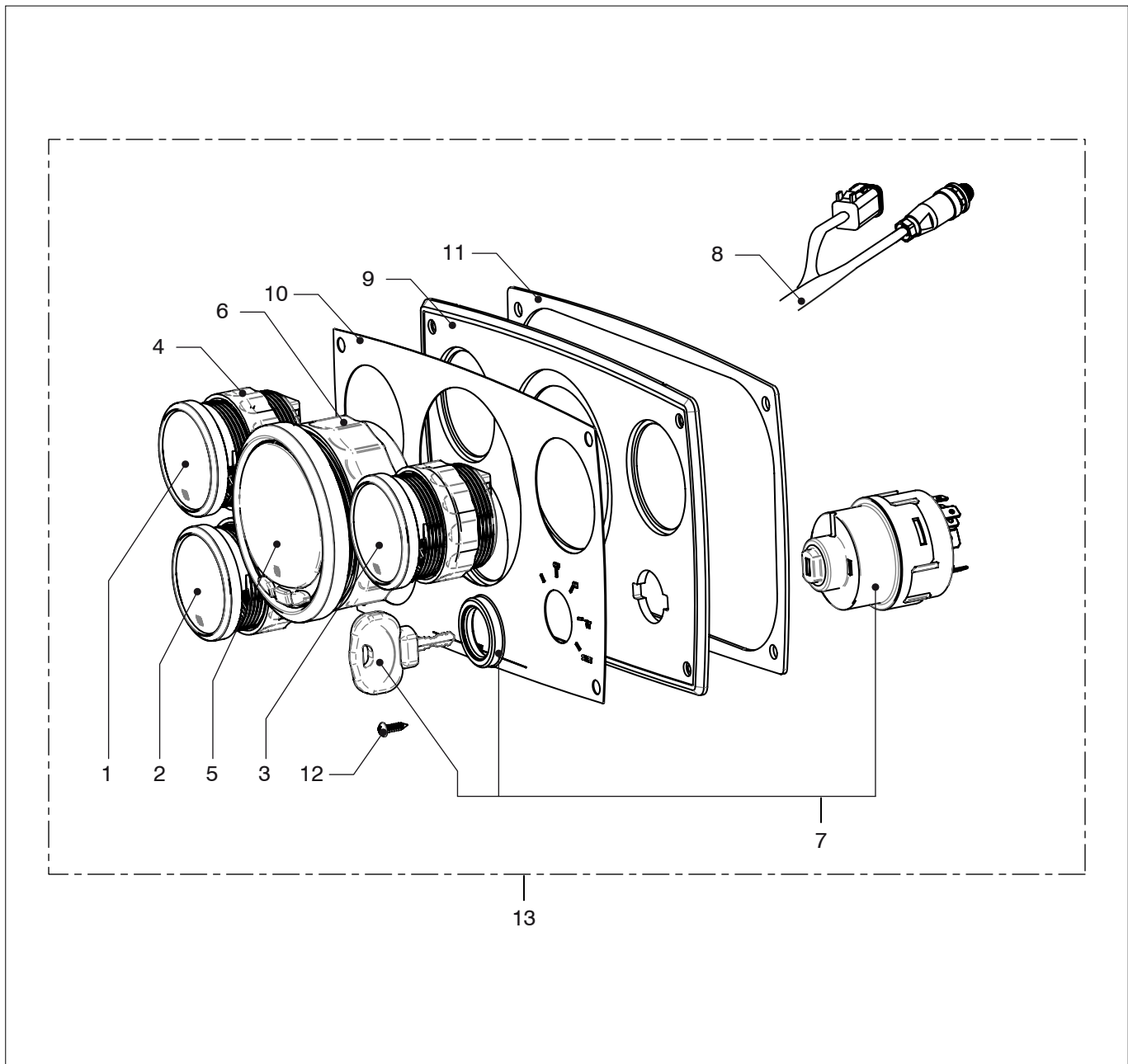
**VD4.120**   **VD4.140**  
**VD6.170**   **VD6.210**

**Instrumenten paneel 12V**

**Instrument panel 12V**

| pos. | qty | part        | benaming                         | description                    |
|------|-----|-------------|----------------------------------|--------------------------------|
| 1    | 1   | JYN00007    | Water temperatuurmeter 40-120    | Water temperature gauge 40-120 |
| 2    | 1   | JYN00008    | Oliedrukmeter 0-10               | Oil pressure gauge 0-10        |
| 3    | 1   | JYN00009    | Voltmeter 18-32                  | Voltmeter 18-32                |
| 4    | 3   | JYP00071    | Bevestigingsring Ø52             | Fastening ring Ø52             |
| 5    | 1   | JYN00010    | Tachometer 5KL                   | Tachometer 5KL                 |
| 6    | 1   | JYP00003    | Bevestigingsring Ø85             | Fastening ring Ø85             |
| 7    | 1   | JXE00130    | Contactsloot + sleutel           | Key switch + key               |
| 8    | 1   | JX200041    | Bedrading                        | Wiring                         |
| 9    | 1   | JXM00032    | Aluminium plaat                  | Aluminum plate                 |
| 10   | 1   | JXP00605    | Folie                            | Overlay                        |
| 11   | 1   | JXP00606    | Afdichting                       | Seal                           |
| 12   | 1   | JXM00033    | Plaatschroef 3,5x13              | Screw 3,5x13                   |
| 13   | 1   | MPA34CANBS2 | Instrumenten paneel 12V compleet | Instrument panel 12V cpl.      |



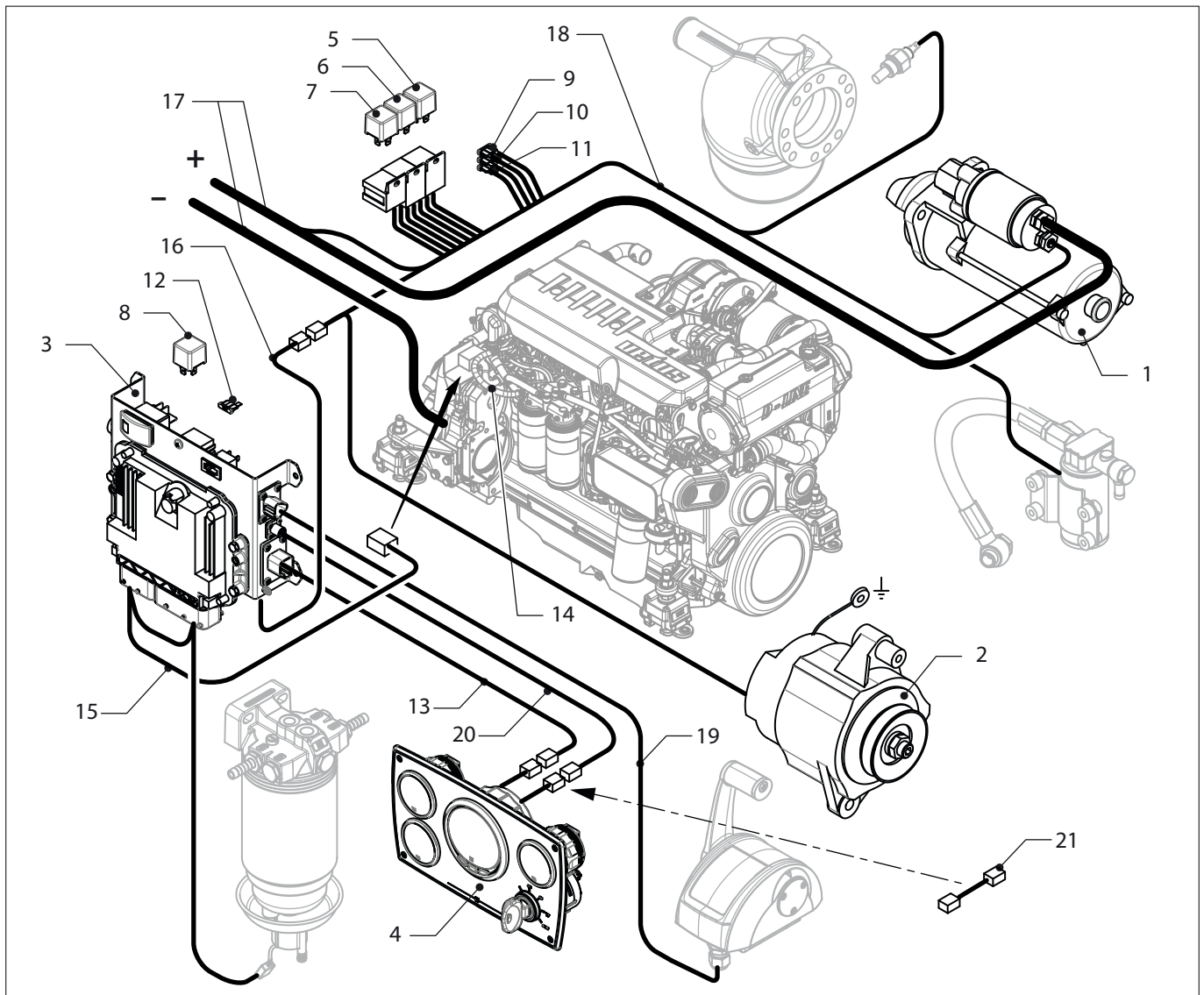


**VD4.120**    **VD4.140**  
**VD6.170**    **VD6.210**

**Instrumenten paneel 24V**

**Instrument panel 24V**

| pos. | qty | part        | benaming                         | description                    |
|------|-----|-------------|----------------------------------|--------------------------------|
| 1    | 1   | JYN00007    | Water temperatuurmeter 40-120    | Water temperature gauge 40-120 |
| 2    | 1   | JYN00008    | Oliedrukmeter 0-10               | Oil pressure gauge 0-10        |
| 3    | 1   | JYN00013    | Voltmeter 18-32                  | Voltmeter 18-32                |
| 4    | 3   | JYP0071     | Bevestigingsring Ø52             | Fastening ring Ø52             |
| 5    | 1   | JYN00010    | Tachometer 5KL                   | Tachometer 5KL                 |
| 6    | 1   | JYP0003     | Bevestigingsring Ø85             | Fastening ring Ø85             |
| 7    | 1   | JXE00130    | Contactslet + sleutel            | Key switch + key               |
| 8    | 1   | JX200041    | Bedrading                        | Wiring                         |
| 9    | 1   | JXM00032    | Aluminium plaat                  | Aluminum plate                 |
| 10   | 1   | JXP00605    | Folie                            | Overlay                        |
| 11   | 1   | JXP00606    | Afdichting                       | Seal                           |
| 12   | 1   | JXM00033    | Plaatschroef 3,5x13              | Screw 3,5x13                   |
| 13   | 1   | MPA34CANBS4 | Instrumenten paneel 24V compleet | Instrument panel 24V cpl.      |

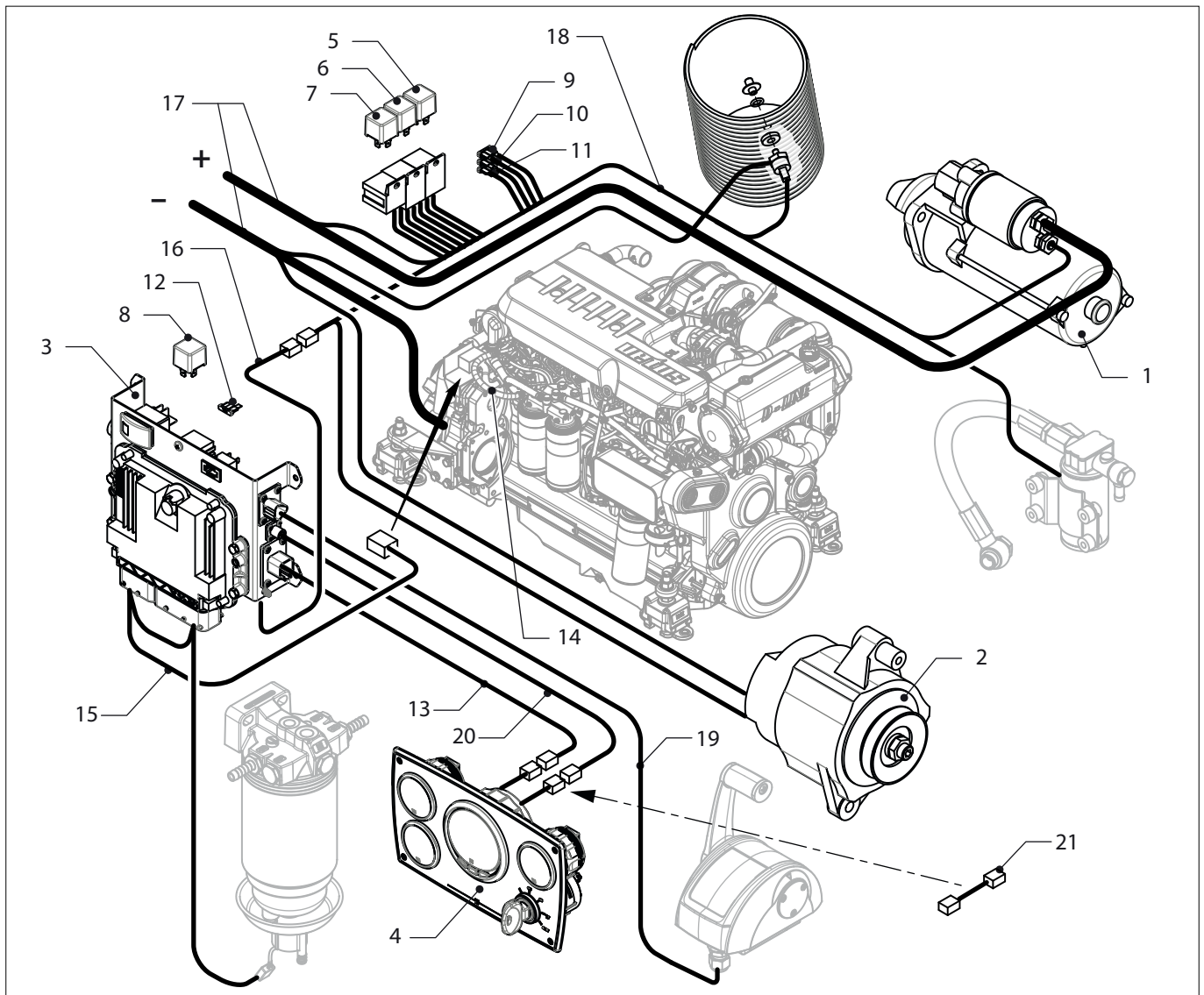


**VD4.120**    **VD4.140**  
**VD6.170**    **VD6.210**

**Motorbedrading 12V-1p**

**Engine wiring 12V-1p**

| pos. | qty | part        | benaming                              | description                              |
|------|-----|-------------|---------------------------------------|--|
| 1    | 1   | STM8652     | Startmotor 12V-1p                     | Starter 12V-1p                           |
| 2    | 1   | 16-3259     | Dynamo 12V-160A 1p                    | Alternator 12V-160A 1p                   |
| 3    | 1   | 16-7210     | Steun (exclusief EMR en relais)       | Bracket (ex. EMR and relais)             |
| 4    | 1   | MPA34CANBS2 | Instrumenten paneel 12V               | Instrument panel 12V                     |
| 5    | 1   | STM9043     | Startrelais 12V-70A                   | Start relay 12V-70A                      |
| 6    | 1   | STM9043     | EMR relais 12V-70A                    | EMR relay 12V-70A                        |
| 7    | 1   | STM9050     | El. olieaftappomp relais 12V-30/40A   | Electric oil pump relay 12V-30/40A       |
| 8    | 1   | STM9050     | Diagnose / CAN relais 12V-30/40A      | Diagnos / CAN relay 12V-30/40A           |
| 9    | 1   | BFUSE03     | Steekzekering 3A (starten)            | Blade fuse 3A (start)                    |
| 10   | 1   | BFUSE25     | Steekzekering 25A (El. oliepomp)      | Blade fuse 25A (Electric oil pump)       |
| 11   | 1   | BFUSE10     | Steekzekering 10A (EMR)               | Blade fuse 10A (EMR)                     |
| 12   | 1   | BFUSE07     | Steekzekering 7,5A (diagnose / CAN)   | Blade fuse 7,5A (diagnos / CAN)          |
| 13   | 1   | MPKA06      | Kabel (EMR steun => paneel)           | Cable 6mtr. (EMR bracket => panel)       |
| 14   | 1   | DZ48050-6   | Motorbedrading KHD                    | Engine wiring loom KHD                   |
| 15   | 1   | DZ48049-6   | Verbindingskabel KHD (motor => EMR)   | Connection cable KHD (motor => EMR)      |
| 16   | 1   | 16-6924     | EMR bedrading                         | EMR wiring                               |
| 17   | 1   | 16-6923M    | Batterij bedrading standaard          | Battery terminal wires standard          |
| 18   | 1   | 16-6923     | Gebruiker motorbedrading              | Customer motor wiring                    |
| 19   | 1   | EC3E3MD     | Gaskabel bedrading 0,5-4,5V           | Throttle wiring 0,5-4,5V                 |
| 20   | 1   | ECSBC05     | CAN kabel 7,5mtr(EMR steun => paneel) | CAN cable 7,5mtr. (EMR bracket => panel) |
| 21   | 1   | ECSBCC      | Verloopkabel                          | Gender changer                           |

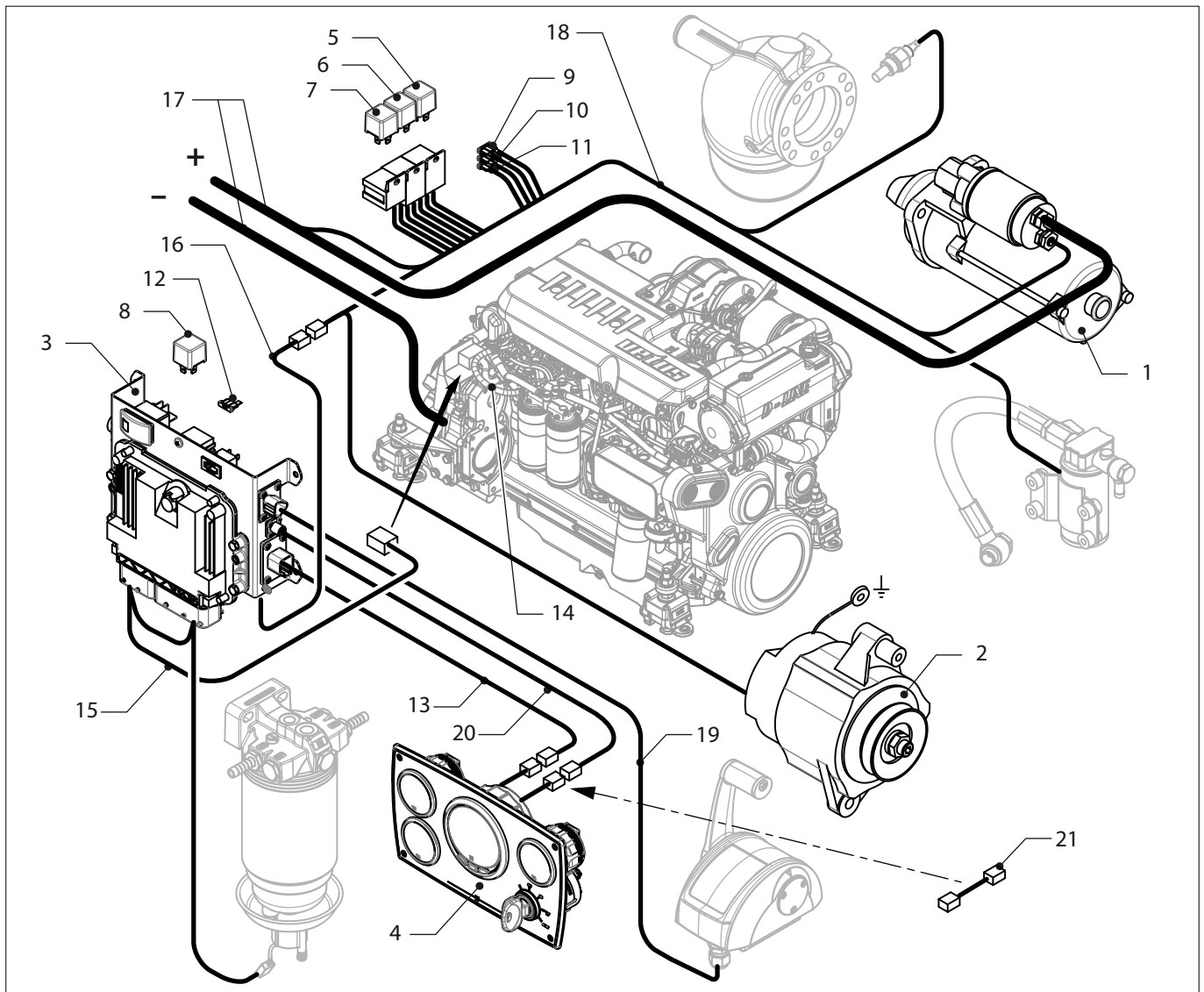


VD4.120 VD4.140  
VD6.170 VD6.210

**Motorbedrading 12V-2p**

**Engine wiring 12V-2p**

| pos. | qty | part        | benaming                               | description                              |
|------|-----|-------------|--|--|
| 1    | 1   | STM8653     | Startmotor 12V-2p                      | Starter 12V-2p                           |
| 2    | 1   | 17-13578    | Dynamo 12V-160A 2p                     | Alternator 12V-160A 2p                   |
| 3    | 1   | 16-7210     | Steun (exclusief EMR en relais)        | Bracket (ex. EMR and relais)             |
| 4    | 1   | MPA34CANBS2 | Instrumenten paneel 12V                | Instrument panel 12V                     |
| 5    | 1   | STM9043     | Startrelais 12V-70A                    | Start relay 12V-70A                      |
| 6    | 1   | STM9043     | EMR relais 12V-70A                     | EMR relay 12V-70A                        |
| 7    | 1   | STM9050     | El. olieaftappomp relais 12V-30/40A    | Electric oil pump relay 12V-30/40A       |
| 8    | 1   | STM9050     | Diagnose / CAN relais 12V-30/40A       | Diagnos / CAN relay 12V-30/40A           |
| 9    | 1   | BFUSE03     | Steekzekering 3A (starten)             | Blade fuse 3A (start)                    |
| 10   | 1   | BFUSE25     | Steekzekering 25A (El. oliepomp)       | Blade fuse 25A (Electric oil pump)       |
| 11   | 1   | BFUSE10     | Steekzekering 10A (EMR)                | Blade fuse 10A (EMR)                     |
| 12   | 1   | BFUSE07     | Steekzekering 7,5A (diagnose / CAN)    | Blade fuse 7,5A (diagnos / CAN)          |
| 13   | 1   | MPKA06      | Kabel (EMR steun => paneel)            | Cable (EMR bracket => panel)             |
| 14   | 1   | DZ48050-6   | Motorbedrading KHD                     | Engine wiring loom KHD                   |
| 15   | 1   | DZ48049-6   | Verbindingskabel KHD (motor => EMR)    | Connection cable KHD (motor => EMR)      |
| 16   | 1   | 16-6924     | EMR bedrading                          | EMR wiring                               |
| 17   | 1   | 16-6923MV   | Batterij bedrading standaard           | Batt. wiring                             |
| 18   | 1   | 16-6923     | Gebruiker motorbedrading               | Customer motor wiring                    |
| 19   | 1   | EC3E3MD     | Gaskabel bedrading 0,5-4,5V            | Throttle wiring 0,5-4,5V                 |
| 20   | 1   | ECSBC05     | CAN kabel 7,5mtr.(EMR steun => paneel) | CAN cable 7,5mtr. (EMR bracket => panel) |
| 21   | 1   | ECSBCC      | Verloopkabel                           | Gender changer                           |



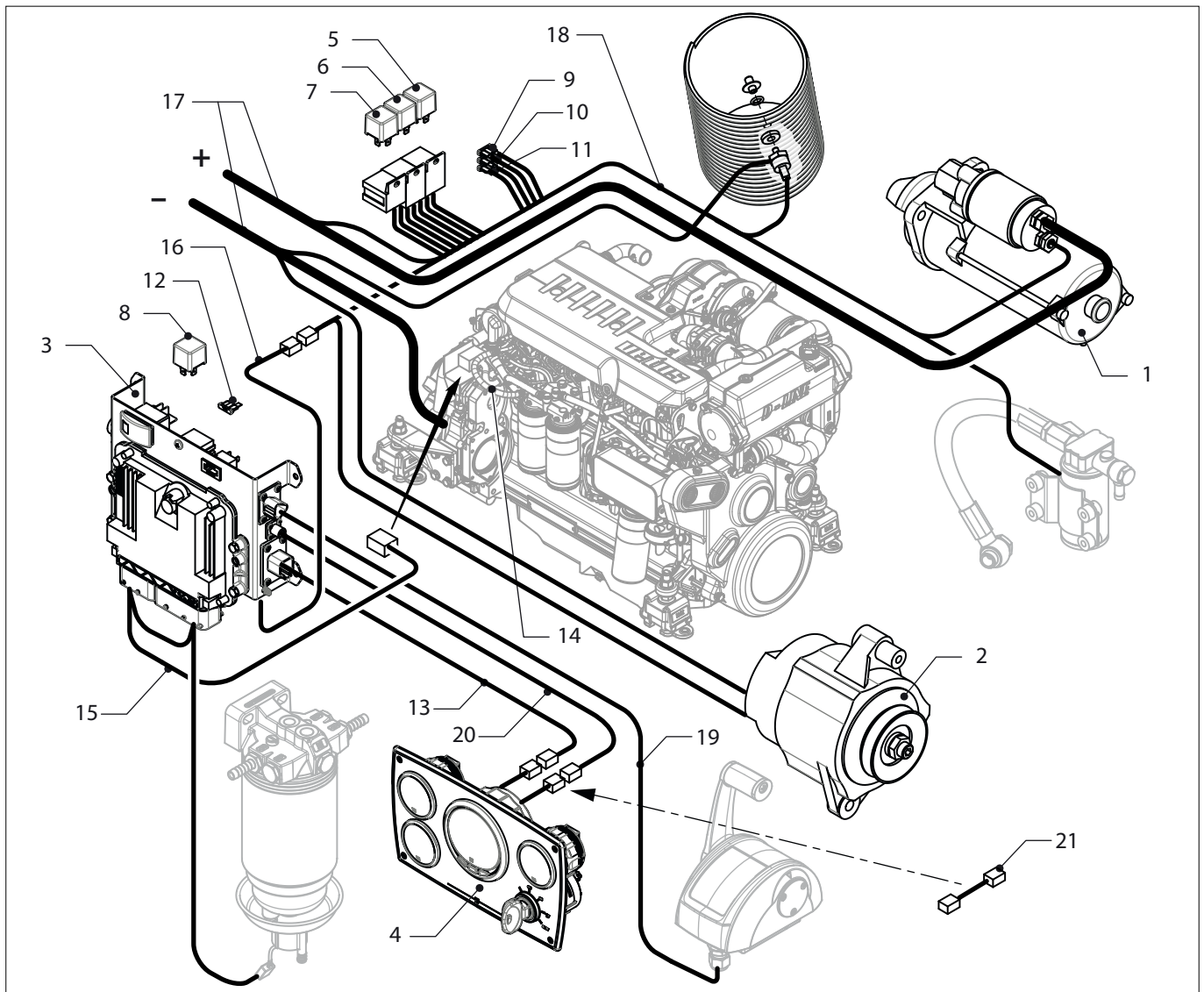
VD4.120  
VD6.170

VD4.140  
VD6.210

**Motorbedrading 24V-1p**

**Engine wiring 24V-1p**

| pos. | qty | part        | benaming                              | description                              |
|------|-----|-------------|---------------------------------------|--|
| 1    | 1   | STM8654     | Startmotor 24V-1p                     | Starter 24V-1p                           |
| 2    | 1   | 17-9889     | Dynamo 24V-60A 1p                     | Alternator 24V-60A 1p                    |
| 3    | 1   | 16-7210     | Steun (exlusief EMR en relais)        | Bracket (ex. EMR and relais)             |
| 4    | 1   | MPA34CANBS4 | Instrumenten paneel 24V               | Instrument panel 24V                     |
| 5    | 1   | STM8225     | Startrelais 24V-40A                   | Start relay 24V-40A                      |
| 6    | 1   | STM8225     | EMR relais 24V-40A                    | EMR relay 24V-40A                        |
| 7    | 1   | STM8295     | El. olieaftappomp relais 24V-20A      | Electric oil pump relay 24V-20A          |
| 8    | 1   | STM8295     | Diagnose / CAN relais 24V-20A         | Diagnos / CAN relay 24V-20A              |
| 9    | 1   | BFUSE03     | Steekzekering 3A (starten)            | Blade fuse 3A (start)                    |
| 10   | 1   | BFUSE25     | Steekzekering 25A (El. oliepomp)      | Blade fuse 25A (Electric oil pump)       |
| 11   | 1   | BFUSE10     | Steekzekering 10A (EMR)               | Blade fuse 10A (EMR)                     |
| 12   | 1   | BFUSE07     | Steekzekering 7,5A (diagnose / CAN)   | Blade fuse 7,5A (diagnos / CAN)          |
| 13   | 1   | MPKA06      | Kabel (EMR steun => paneel)           | Cable (EMR bracket => panel)             |
| 14   | 1   | DZ48050-6   | Motorbedrading KHD                    | Engine wiring loom KHD                   |
| 15   | 1   | DZ48049-6   | Verbindingskabel KHD (motor => EMR)   | Connection cable KHD (motor => EMR)      |
| 16   | 1   | 16-6924     | EMR bedrading                         | EMR wiring                               |
| 17   | 1   | 16-6923M    | Batterij bedrading standaard          | Battery terminal wires standard          |
| 18   | 1   | 16-6923     | Gebruiker motorbedrading              | Customer motor wiring                    |
| 19   | 1   | EC3E3MD     | Gaskabel bedrading 0,5-4,5V           | Throttle wiring 0,5-4,5V                 |
| 20   | 1   | ECSBC05     | CAN kabel 7,5mtr(EMR steun => paneel) | CAN cable 7,5mtr. (EMR bracket => panel) |
| 21   | 1   | ECSBCC      | Verloopkabel                          | Gender changer                           |



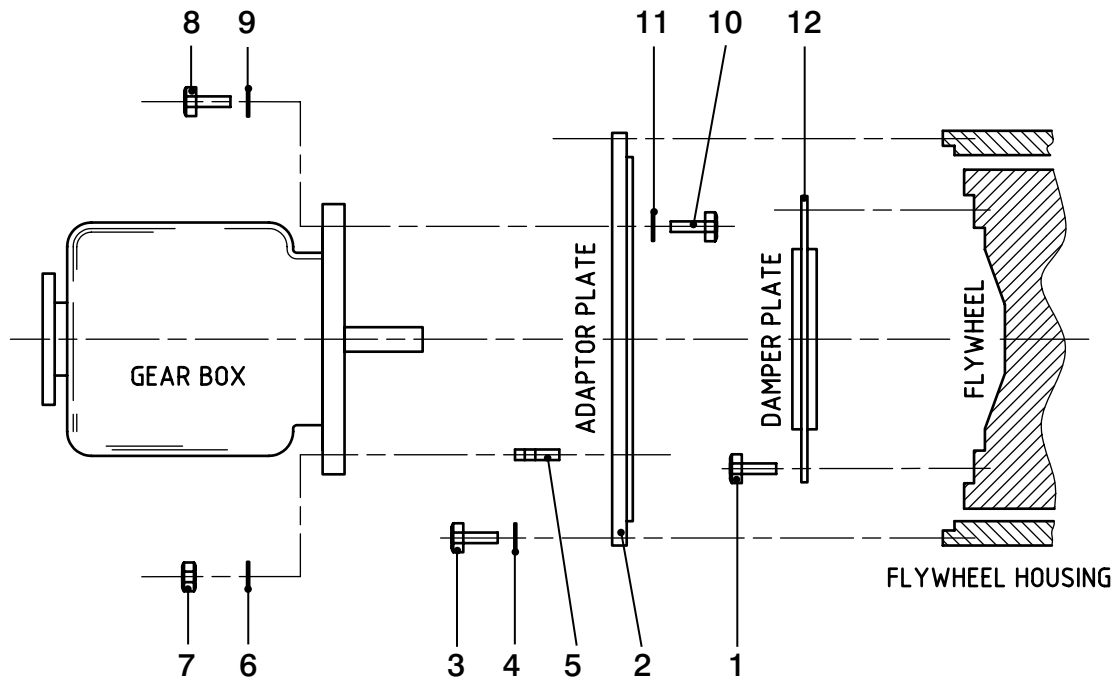
VD4.120  
VD6.170

VD4.140  
VD6.210

Motorbedrading 24V-2p

Engine wiring 24V-2p

| pos. | qty | part        | benaming                              | description                              |
|------|-----|-------------|---------------------------------------|--|
| 1    | 1   | STM8655     | Startmotor 24V-2p                     | Starter 24V-2p                           |
| 2    | 1   | 17-9889     | Dynamo 24V-60A 2p                     | Alternator 24V-60A 2p                    |
| 3    | 1   | 16-7210     | Steun (exclusief EMR en relais)       | Bracket (ex. EMR and relais)             |
| 4    | 1   | MPA34CANBS4 | Instrumenten paneel 24V               | Instrument panel 24V                     |
| 5    | 1   | STM8225     | Startrelais 24V-40A                   | Start relay 24V-40A                      |
| 6    | 1   | STM8225     | EMR relais 24V-40A                    | EMR relay 24V-40A                        |
| 7    | 1   | STM8295     | El. olieaftappomp relais 24V-20A      | Electric oil pump relay 24V-20A          |
| 8    | 1   | STM8295     | Diagnose / CAN relais 24V-20A         | Diagnos / CAN relay 24V-20A              |
| 9    | 1   | BFUSE03     | Steekzekering 3A (starten)            | Blade fuse 3A (start)                    |
| 10   | 1   | BFUSE25     | Steekzekering 25A (El. oliepomp)      | Blade fuse 25A (Electric oil pump)       |
| 11   | 1   | BFUSE10     | Steekzekering 10A (EMR)               | Blade fuse 10A (EMR)                     |
| 12   | 1   | BFUSE07     | Steekzekering 7,5A (diagnose / CAN)   | Blade fuse 7,5A (diagnos / CAN)          |
| 13   | 1   | MPKA06      | Kabel (EMR steun => paneel)           | Cable (EMR bracket => panel)             |
| 14   | 1   | DZ48050-6   | Motorbedrading KHD                    | Engine wiring loom KHD                   |
| 15   | 1   | DZ48049-6   | Verbindingskabel KHD (motor => EMR)   | Connection cable KHD (motor => EMR)      |
| 16   | 1   | 16-6924     | EMR bedrading                         | EMR wiring                               |
| 17   | 1   | 16-6923MV   | Batterij bedrading standaard          | Battery terminal wires standard          |
| 18   | 1   | 16-6923     | Gebruiker motorbedrading              | Customer motor wiring                    |
| 19   | 1   | EC3E3MD     | Gaskabel bedrading 0,5-4,5V           | Throttle wiring 0,5-4,5V                 |
| 20   | 1   | ECSBC05     | CAN kabel 7,5mtr(EMR steun => paneel) | CAN cable 7,5mtr. (EMR bracket => panel) |
| 21   | 1   | ECSBCC      | Verloopkabel                          | Gender changer                           |



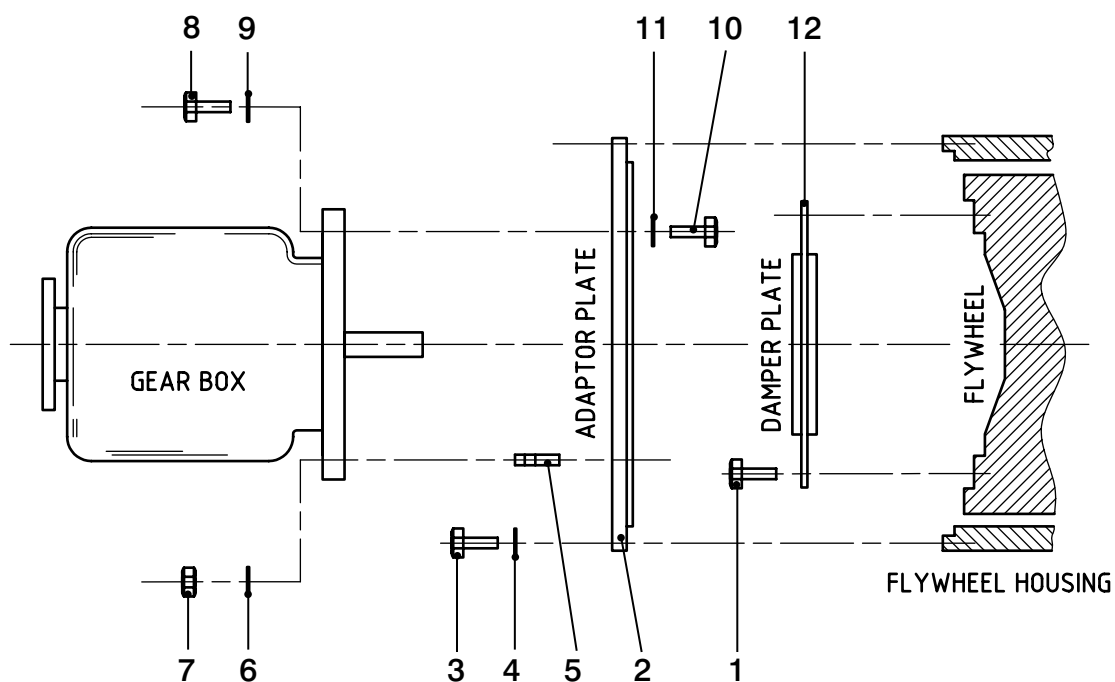
VD4.120  
VD6.170

VD4.140  
VD6.210

**Montagedelen keerkoppeling**

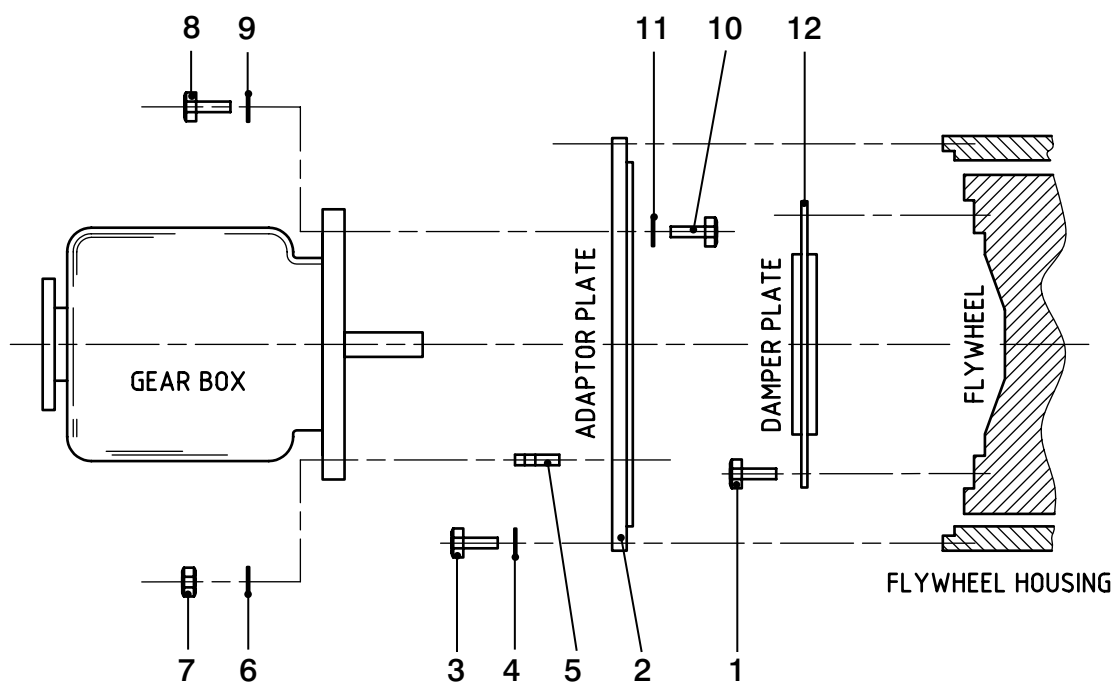
**Mounting parts gearbox**

| pos. | qty | part     | benaming             | description            |
|------|-----|----------|----------------------|------------------------|
|      |     |          | ZF45A                |                        |
| 1    | 8   | STM9003  | Tapbout M10x25       | Bolt M10x25            |
| 2    | 1   | CT50021  | Adapterplaat         | Adaptorplate           |
| 3    | 8   | STM9003  | Tapbout M10x25       | Bolt M10x25            |
| 4    | 8   | STM4014  | Veerring M10         | Spring washer M10      |
| 5    | 6   | 18-15868 | Tapeind M12x1,25     | Stud M12x1,25          |
| 6    | 6   | STM4003  | Gegolfde veering M12 | Wave spring washer M12 |
| 7    | 6   | M12RIPPB | Moer M12             | Nut M12                |
| 12   | 1   | STM8272  | Demperplaat          | Damperplate            |
|      |     |          | ZF45 - ZF220         |                        |
| 1    | 8   | STM9003  | Tapbout M10x25       | Bolt M10x25            |
| 2    | 1   | STM8713  | Adapterplaat         | Adaptorplate           |
| 3    | 12  | STM9003  | Tapbout M10x25       | Bolt M10x25            |
| 4    | 8   | STM4014  | Veerring M10         | Spring washer M10      |
| 10   | 6   | CT50003  | Bout M10x35          | Bolt M10x35            |
| 11   | 6   | STM4014  | Veerring M10         | Spring washer M10      |
| 12   | 1   | STM8272  | Demperplaat          | Damperplate            |



|                |                |                                   |                               |
|----------------|----------------|-----------------------------------|-------------------------------|
| <b>VD4.120</b> | <b>VD4.140</b> | <b>Montagedelen keerkoppeling</b> | <b>Mounting parts gearbox</b> |
| <b>VD6.170</b> | <b>VD6.210</b> |                                   |                               |

| pos.         | qty | part     | benaming             | description            |
|--------------|-----|----------|----------------------|------------------------|
| ZF68A        |     |          |                      |                        |
| 1            | 8   | STM9003  | Tapbout M10x25       | Bolt M10x25            |
| 2            | 1   | CT50021  | Adapterplaat         | Adaptorplate           |
| 3            | 8   | STM9003  | Tapbout M10x25       | Bolt M10x25            |
| 4            | 8   | STM4014  | Veerring M10         | Spring washer M10      |
| 5            | 6   | 18-15868 | Tapeind M12x30       | Stud M12x30            |
| 6            | 6   | STM4003  | Gegolfde veering M12 | Wave spring washer M12 |
| 7            | 6   | M12RIPPB | Moer M12             | Nut M12                |
| 12           | 1   | STM8272  | Demperplaat          | Damperplate            |
| ZF68 - ZF220 |     |          |                      |                        |
| 1            | 8   | STM9003  | Tapbout M10x25       | Bolt M10x25            |
| 2            | 1   | CT50021  | Adapterplaat         | Adaptorplate           |
| 3            | 8   | STM9003  | Tapbout M10x25       | Bolt M10x25            |
| 4            | 8   | STM4014  | Veerring M10         | Spring washer M10      |
| 5            | 6   | 18-15868 | Tapeind M12x30       | Stud M12x30            |
| 6            | 6   | STM4003  | Gegolfde veering M12 | Wave spring washer M12 |
| 7            | 6   | M12RIPPB | Moer M12             | Nut M12                |
| 12           | 1   | STM8272  | Demperplaat          | Damperplate            |



VD4.120  
VD6.170

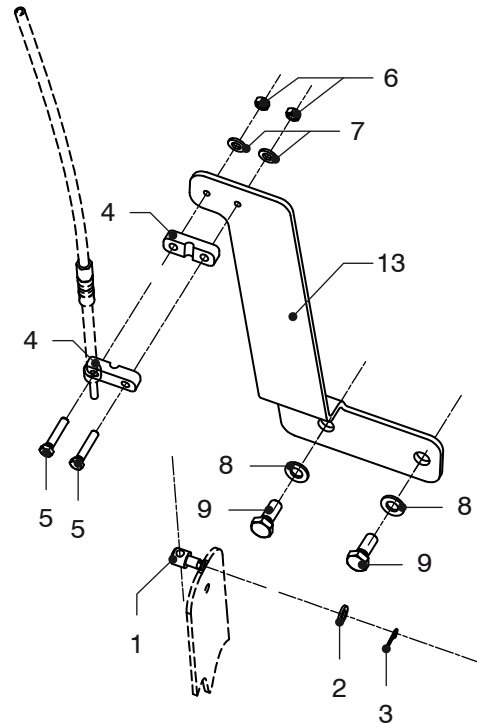
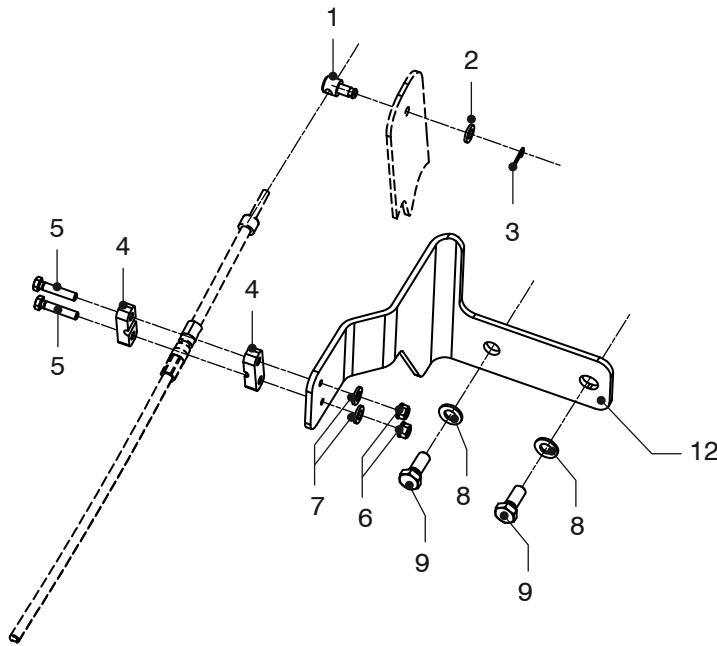
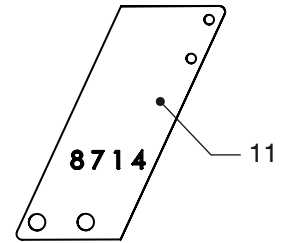
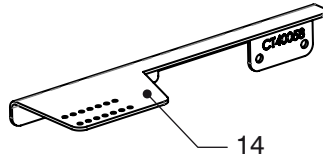
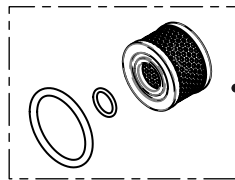
VD4.140  
VD6.210

**Montagedelen keerkoppeling**

**Mounting parts gearbox**

| pos.                                    | qty | part     | benaming  | description   |
|---|-----|----------|---|---|
| ZF68IV                                  |     |          |   |   |
| 1                                       | 8   | STM9003  | Tapbout M10x25  | Bolt M10x25   |
| 2                                       | 1   | CT50021  | Adapterplaat  | Adaptorplate  |
| 3                                       | 8   | STM9003  | Tapbout M10x25  | Bolt M10x25   |
| 4                                       | 8   | STM4014  | Veerring M10  | Spring washer M10   |
| 5                                       | 6   | 18-15868 | Tapeind M12x30  | Stud M12x30   |
| 6                                       | 6   | STM4003  | Gegolfde veering M12  | Wave spring washer M12  |
| 7                                       | 6   | M12RIPPB | Moer M12  | Nut M12   |
| 12                                      | 1   | STM8272  | Demperplaat   | Damperplate   |
| PRM500-PRM750 ( PRM302-PRM402 ) - ZF220 |     |          |   |   |
| 1                                       | 8   | STM8216  | Tapbout M10x16  | Bolt M10x16   |
| 2                                       | 1   | CT50026  | Adapterplaat  | Adaptorplate  |
| 3                                       | 8   | STM9003  | Tapbout M10x25  | Bolt M10x25   |
| 4                                       | 8   | STM4014  | Veerring M10  | Spring washer M10   |
| 8                                       | 5   | STM7077  | Bout M12x30   | Bolt M12x30   |
| 9                                       | 5   | STM4056  | Gegolfde veering M12  | Wave spring washer M12  |
| 12                                      | 1   | STM8777  | Demperplaat centa (alternatief CT50027) PRM500 drop-center / down angle PRM750 drop-center / down angle | Damperplate centa (alternative CT50027) PRM500 drop-center / down angle PRM750 drop-center / down angle |



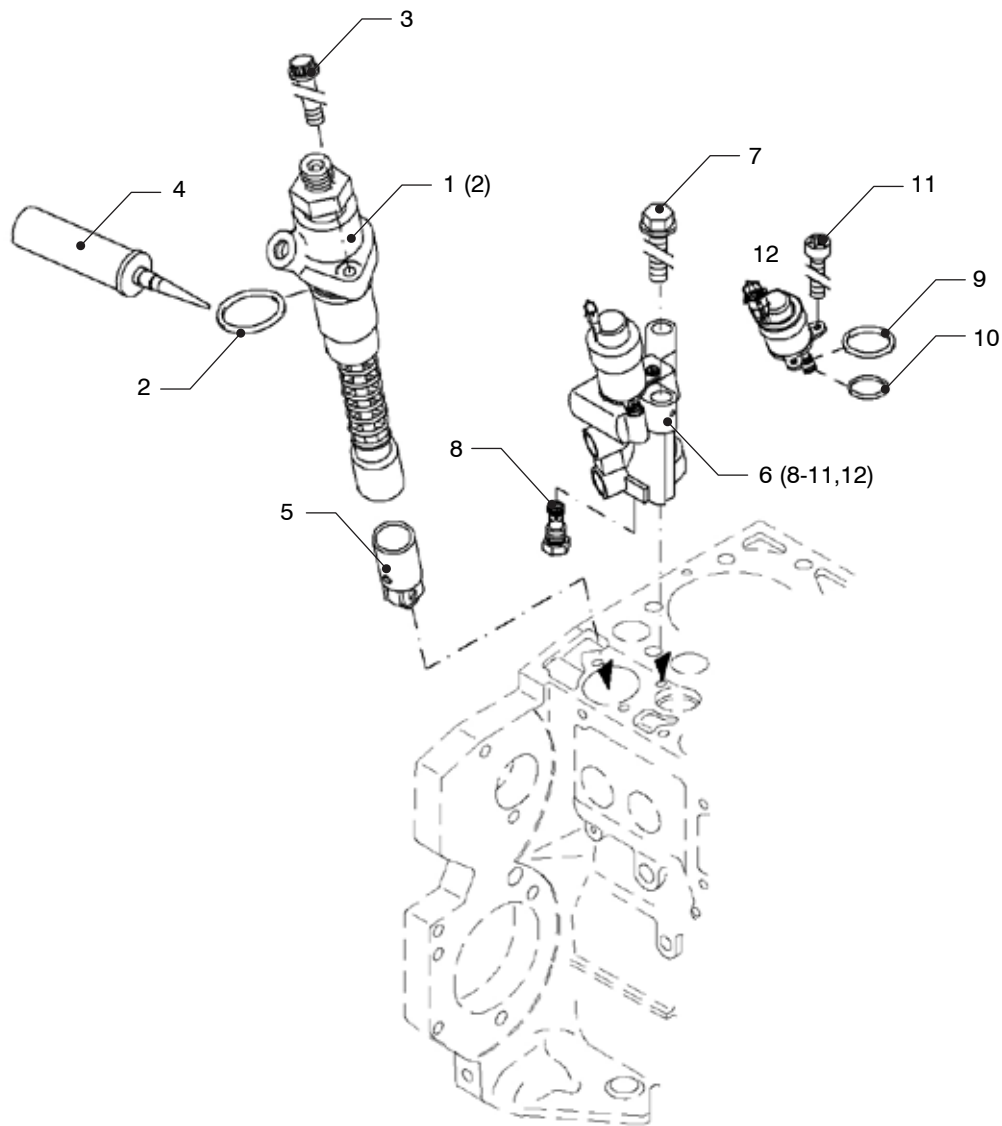


**VD4.120**    **VD4.140**  
**VD6.170**    **VD6.210**

**Bediening keerkoppeling**

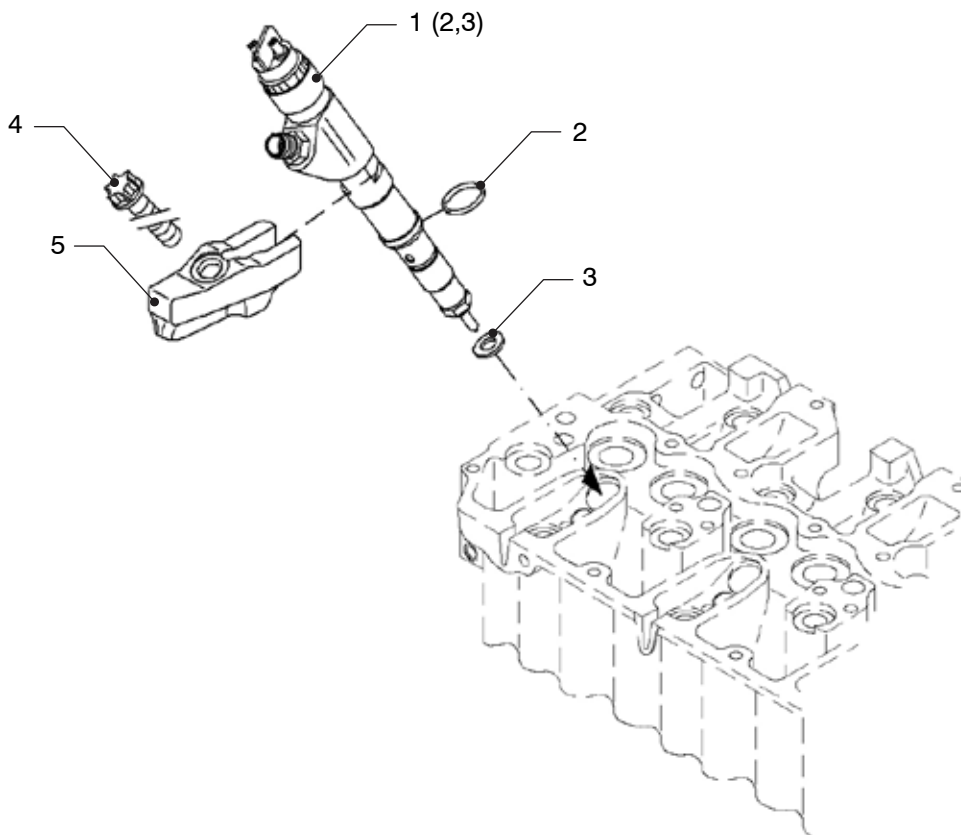
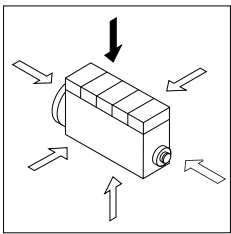
**Controls gearbox**

| pos. | qty | part    | benaming                    | description                    |
|------|-----|---------|-----------------------------|--------------------------------|
| 1    | 1   | STM1806 | Kabelnippel                 | Cable nipple                   |
| 2    | 1   | STM1807 | Ring M6                     | Washer M6                      |
| 3    | 1   | STM1808 | Splitpen 2x25               | Split pin 2x25                 |
| 4    | 1   | STM1703 | Kabelklem                   | Cable clamp                    |
| 5    | 2   | STM1704 | Bout M5x25                  | Bolt M5x25                     |
| 6    | 2   | STM1705 | Moer M5                     | Nut M5                         |
| 7    | 2   | STM1019 | Veerring M5                 | Spring washer M5               |
| 8    | 2   | STM4014 | Veerring M10                | Spring washer M10              |
| 9    | 2   | STM9765 | Bout 3/8"UNC x 3/4"         | Bolt 3/8"UNC x 3/4"            |
| 10   | 1   | CT50081 | Oliefilter ZF               | Oil filter ZF                  |
|      |     |         | <b>Steun trek-drukkabel</b> | <b>Support push-pull cable</b> |
| 11   | 1   | STM8714 | ZF45, ZF45A                 | ZF45, ZF45A                    |
| 12   | 1   | STM9742 | ZF horizontaal              | ZF horizontal                  |
| 13   | 1   | STM9750 | ZF vertikaal (optie)        | ZF vertical (option)           |
| 14   | 1   | CT40058 | PRM500/PRM750               | PRM500-PRM750                  |



|                |                |                              |                            |
|----------------|----------------|------------------------------|----------------------------|
| <b>VD4.120</b> | <b>VD4.140</b> | <b>Brandstofinjectiepomp</b> | <b>Fuel injection pump</b> |
| <b>VD6.170</b> | <b>VD6.210</b> |                              |                            |

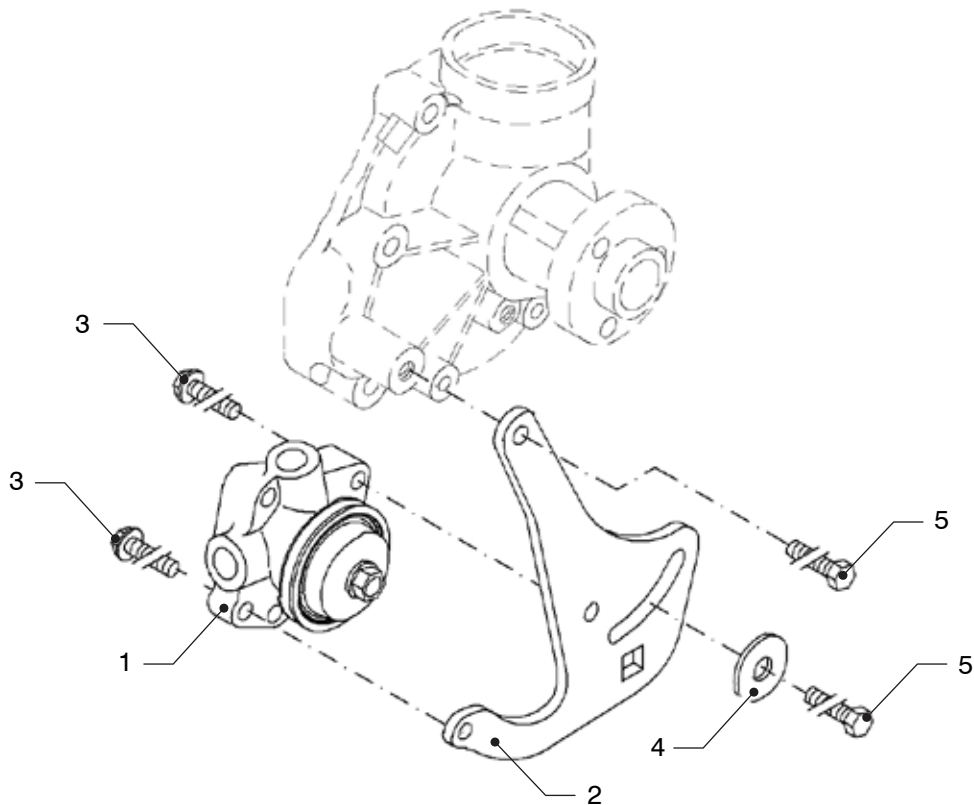
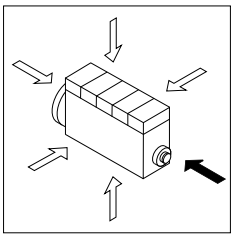
| pos. | qty | part     | benaming                |     | description                 |     |
|------|-----|----------|-------------------------|-----|-----------------------------|-----|
| 1    | 2   | VP000118 | Brandstof injectie pomp | VD4 | Fuel injector pump          | VD4 |
| 2    | 2   | DZ17002  | O-Ring                  |     | O-seal                      |     |
| 3    | 2   | DZ17003  | Bout                    |     | Bolt                        |     |
| 4    | 1   | DZ17004  | Montagepasta            |     | Mounting device             |     |
| 5    | 1   | DZ17005  | Aandrijfbus             |     | Roller tappet               |     |
| 6    | 1   | DZ17010  | Stuurblok               |     | Control block               |     |
| 7    | 2   | DZ17011  | Zeskantbout             |     | Hexagon bolt                |     |
| 8    | 1   | DZ17013  | Ontlastklep, incl. afd. |     | Overflow valve, incl. seals |     |
| 9    | 1   | DZ17014  | O-ring                  |     | O-ring                      |     |
| 10   | 1   | DZ17015  | O-ring                  |     | O-ring                      |     |
| 11   | 3   | DZ17016  | Torxbout                |     | Torx-head bolt              |     |
| 12   | 1   | DZ17020  | Magneetklep             |     | Solenoid valve              |     |



**VD4.120**   **VD4.140**   **Brandstofinjector**  
**VD6.170**   **VD6.210**

**Fuel injector**

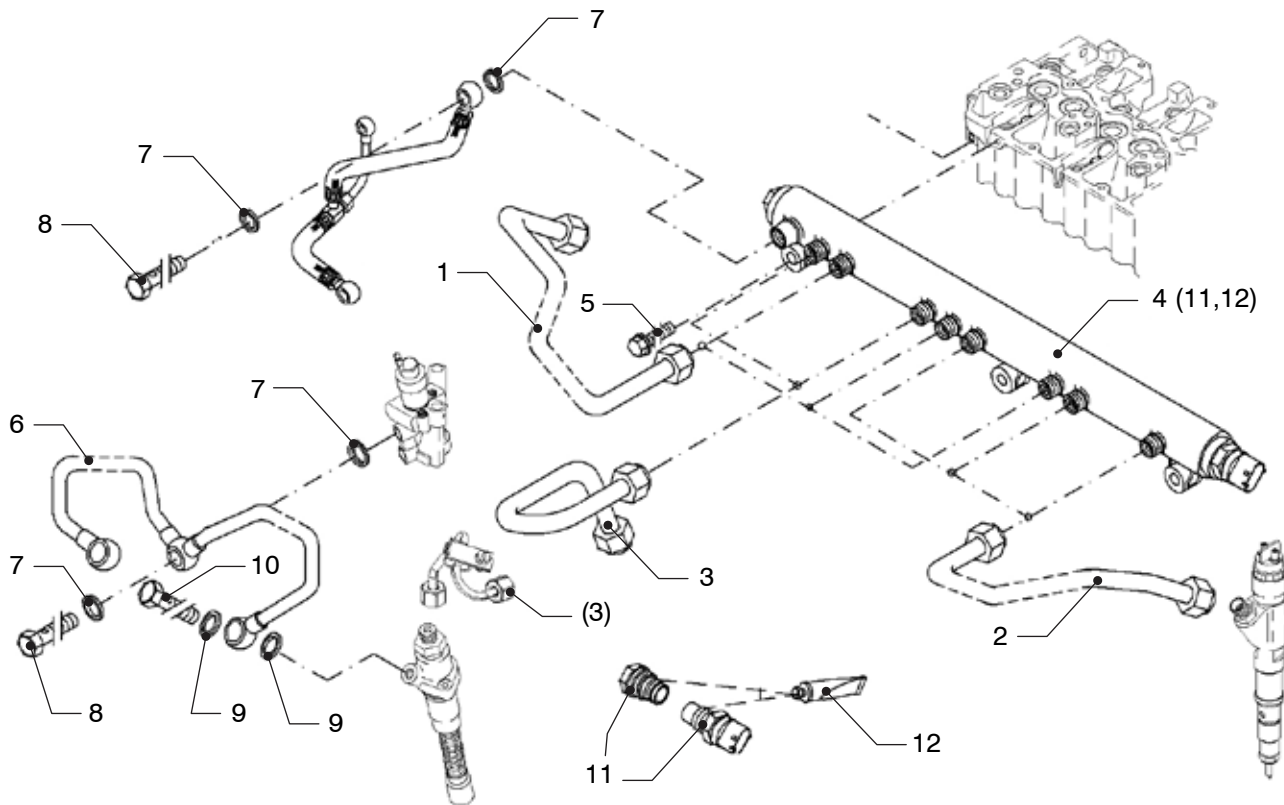
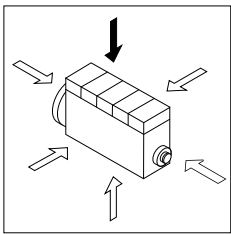
| pos. | qty | part     | benaming        |     | description       |     |
|------|-----|----------|-----------------|-----|-------------------|-----|
| 1    | 1   | VP000117 | Verstuiver      | VD4 | Injector          | VD4 |
| 2    | 1   | DZ19002  | O-ring          |     | O-ring            |     |
| 3    | 1   | DZ19003  | Afdichtring     |     | Sealing ring      |     |
| 4    | 1   | DZ19004  | Torxbout        |     | Torx-head bolt    |     |
| 5    | 1   | DZ19005  | Verstuiver klem | VD4 | Claw for injector | VD4 |
|      |     |          |                 |     |                   |     |
|      |     |          |                 |     |                   |     |
|      |     |          |                 |     |                   |     |
|      |     |          |                 |     |                   |     |
|      |     |          |                 |     |                   |     |
|      |     |          |                 |     |                   |     |
|      |     |          |                 |     |                   |     |
|      |     |          |                 |     |                   |     |
|      |     |          |                 |     |                   |     |
|      |     |          |                 |     |                   |     |



**VD4.120**   **VD4.140**   **Brandstofpomp**  
**VD6.170**   **VD6.210**

**Fuel pump**

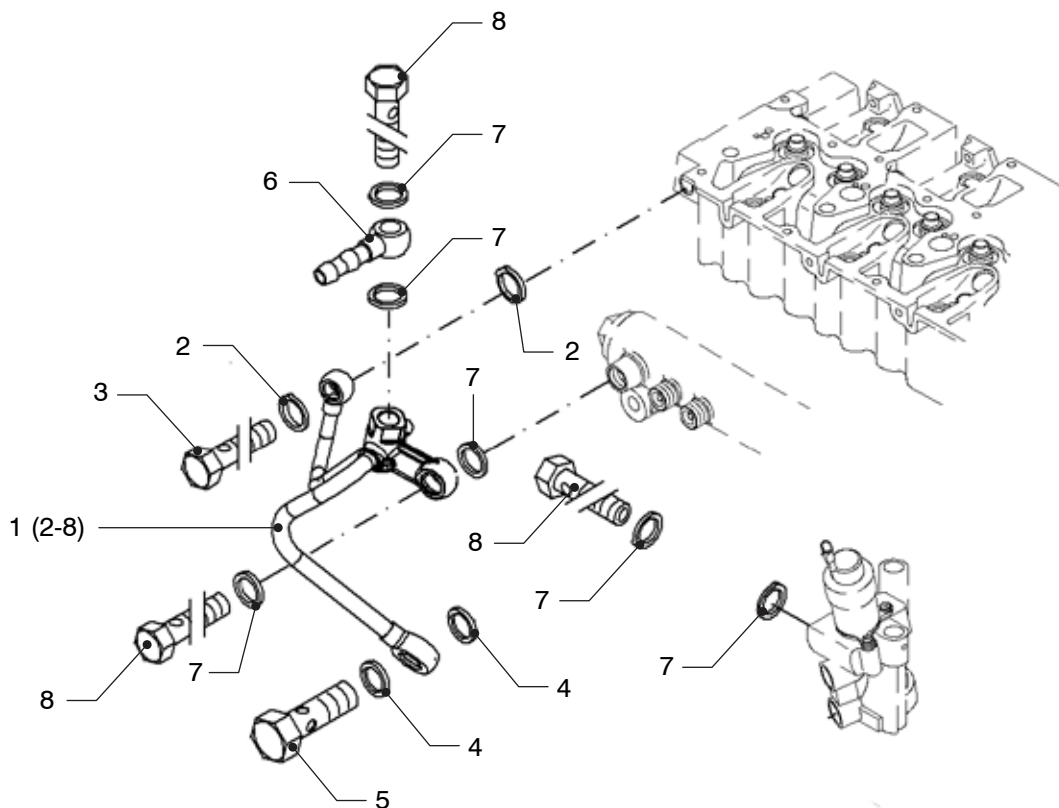
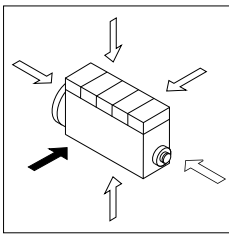
| pos. | qty | part    | benaming            | description    |
|------|-----|---------|---------------------|----------------|
| 1    | 1   | DZ20001 | Brandstofopvoerpomp | Fuel lift pump |
| 2    | 1   | DZ20002 | Span steun          | Clamping strap |
| 3    | 1   | DZ20003 | Zeskantbout         | Hexagon bolt   |
| 4    | 1   | DZ20004 | Sluistring          | Plain washer   |
| 5    | 2   | DZ20005 | Zeskantbout         | Hexagon bolt   |



**VD4.120**    **VD4.140**    **Brandstofleiding**  
**VD6.170**    **VD6.210**

**Fuel line**

| pos. | qty | part    | benaming         |     | description        |     |
|------|-----|---------|------------------|-----|--------------------|-----|
| 1    | 2   | DZ21001 | Inspuitleiding   | VD4 | High pressure pipe | VD4 |
|      |     | 3       | Inspuitleiding   | VD6 | High pressure pipe | VD6 |
| 2    | 2   | DZ21002 | Inspuitleiding   | VD4 | High pressure pipe | VD4 |
|      |     | 3       | Inspuitleiding   | VD6 | High pressure pipe | VD6 |
| 3    | 2   | DZ21003 | Inspuitleiding   |     | High pressure pipe |     |
| 4    | 1   | DZ21004 | Rail             |     | Rail               |     |
|      |     | 5       | Zeskantbout      | VD4 | Hexagon bolt       | VD4 |
|      |     | 3       | Zeskantbout      | VD6 | Hexagon bolt       | VD6 |
| 6    | 1   | DZ21006 | Brandstofleiding |     | Fuel line          |     |
| 7    | 2   | DZ21007 | Afdichtring      |     | Sealing ring       |     |
| 8    | 1   | DZ21008 | Banjobout        |     | Banjo bolt         |     |
| 9    | 4   | DZ21009 | Afdichtring      |     | Sealing ring       |     |
| 10   | 2   | DZ21010 | Banjobout        |     | Banjo bolt         |     |
| 11   | 1   | DZ21054 | Reparatieset     |     | Repair kit         |     |
| 12   | 1   | DZ21055 | Multi-purp. vet  |     | Multi-purp. grease |     |



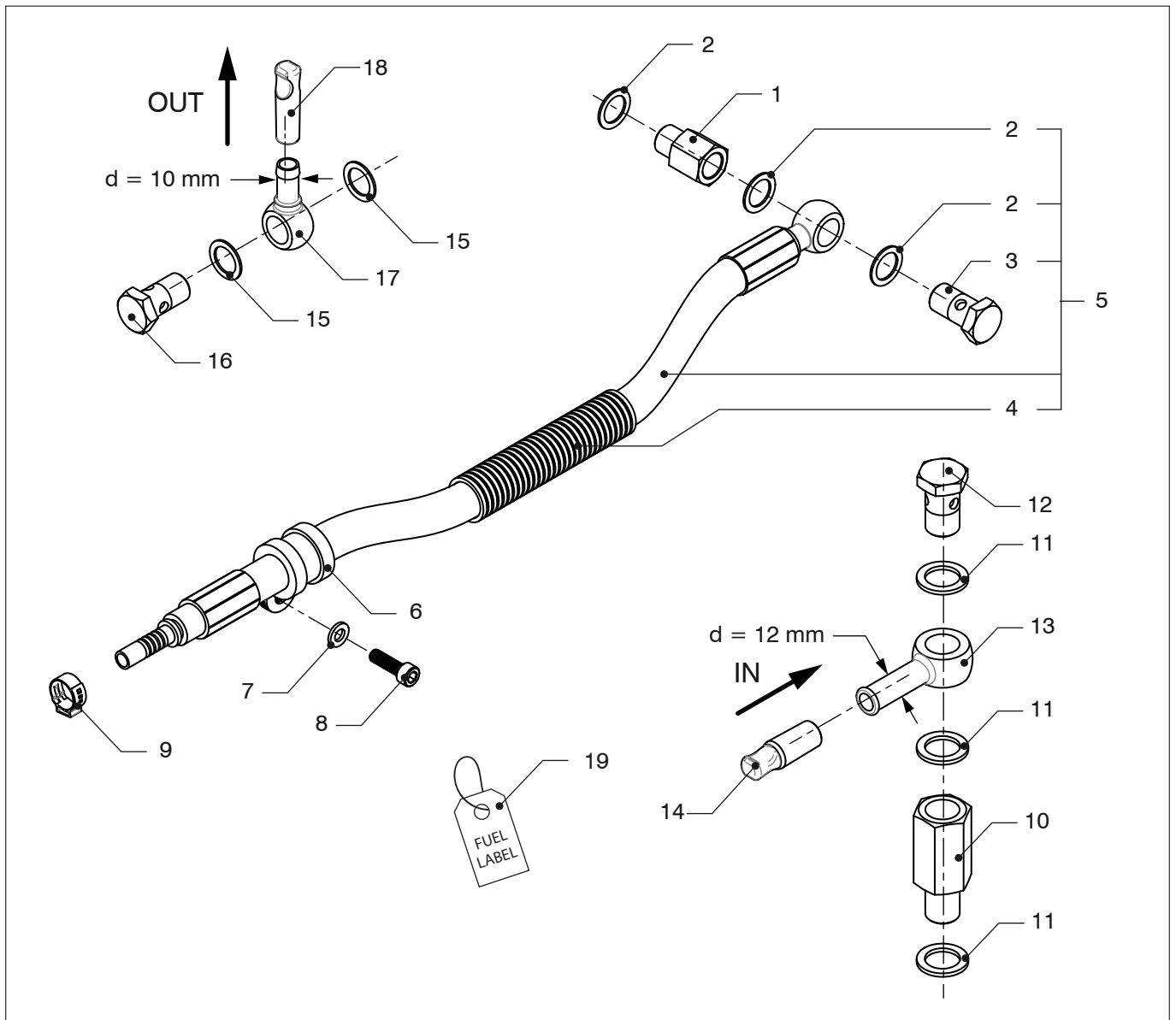
**VD4.120**  
**VD6.170**

**VD4.140**  
**VD6.210**

**Retour brandstofleiding**

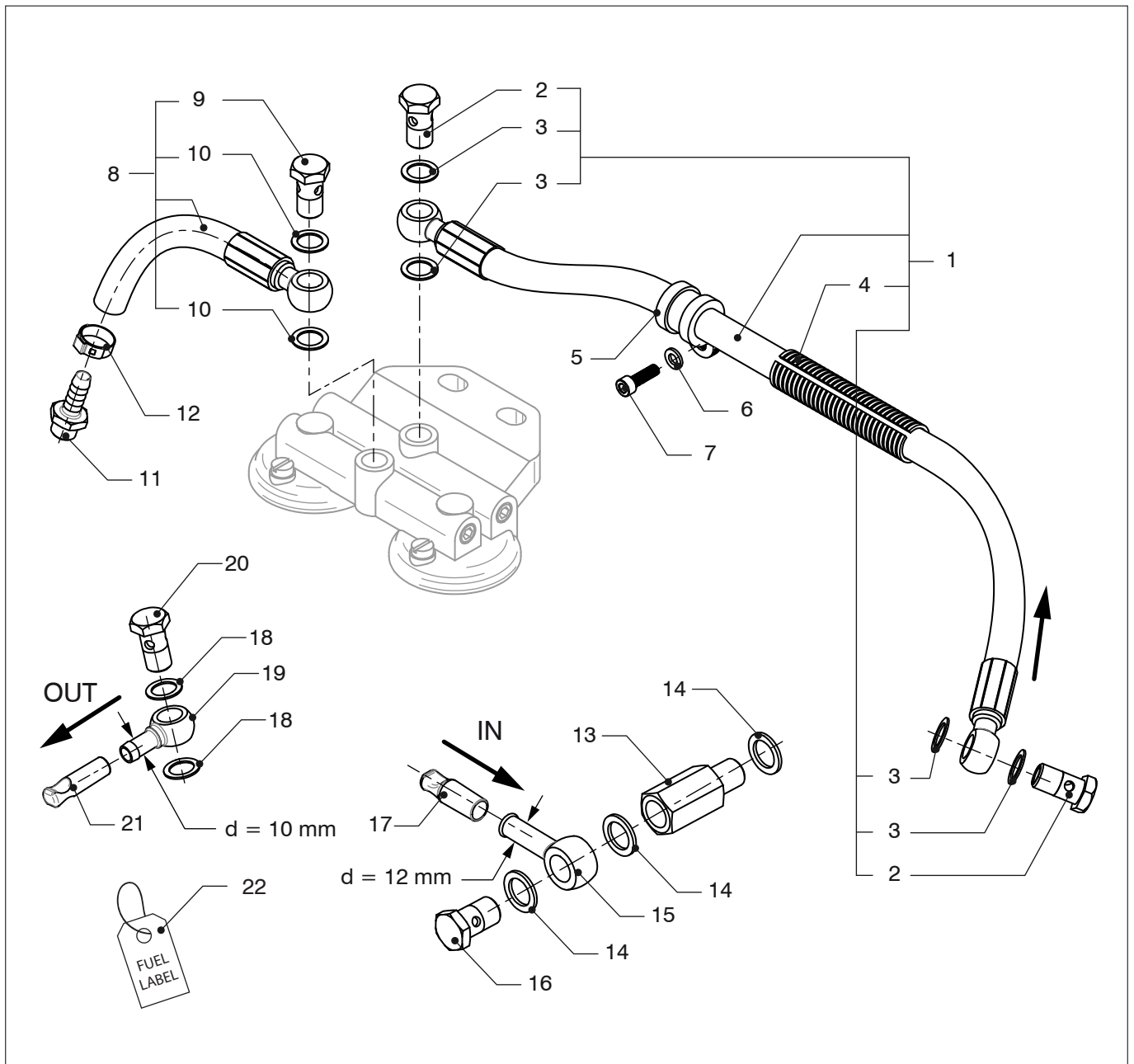
**Return fuel line**

| pos. | qty | part    | benaming    | description  |     |     |
|------|-----|---------|-------------|--------------|-----|-----|
| 1    | 1   | DZ21011 | Retourpijp  | Return line  |     |     |
| 2    | 2   | DZ21012 | Afdichtring | Sealing ring |     |     |
| 3    | 1   | DZ21013 | Banjobout   | Banjo bolt   |     |     |
| 4    | 2   | DZ21014 | Afdichtring | Sealing ring |     |     |
| 5    | 1   | DZ21015 | Banjobout   | Banjo bolt   |     |     |
| 6    | 1   | DZ21016 | Banjo-oog   | Banjo eye    |     |     |
| 7    | 2   | DZ21037 | Afdichtring | Sealing ring | VD6 | VD6 |
| 8    | 1   | DZ21038 | Banjobout   | Banjo bolt   | VD6 | VD6 |



**VD4.120 VD4.140 Brandstofslang Fuel hose**

| pos. | qty | part      | benaming                  | description               |
|------|-----|-----------|---------------------------|---------------------------|
| 1    | 1   | 17-10200  | Adapter M14x1,5 - M14x1,5 | Adapter M14x1,5 - M14x1,5 |
| 2    | 3   | R142010RK | Afdichtring M14           | Seal washer M14           |
| 3    | 1   | STM3518   | Banjo bout M14x1,5        | Banjo bolt M14x1,5        |
| 4    | 1   | 17-13023  | Beschermhuls              | Protection sleeve         |
| 5    | 1   | 17-13024  | Brandstofslang            | Fuel hose                 |
| 6    | 1   | STM8832   | Klem Ø18                  | Clamp Ø18                 |
| 7    | 1   | R061Y     | Ring M6                   | Washer M6                 |
| 8    | 1   | B06207Y   | Inbusbout M6x20           | Allen bolt M6x20          |
| 9    | 1   | 18-15120  | Slangklem 12,3 - 14,8     | Hose clamp 12,3 - 14,8    |
| 10   | 1   | STM8213   | Adapter M16x1,5 - M16x1,5 | Adapter M16x1,5 - M16x1,5 |
| 11   | 3   | STM6617   | Afdichtring M16           | Sealing ring M16          |
| 12   | 1   | STM8214   | Banjo bout M16x1,5        | Banjo bolt M16x1,5        |
| 13   | 1   | STM8215   | Banjo oog M16 - Ø12       | Banjo eye M16 - Ø12       |
| 14   | 1   | GFEC012PR | Kap rood                  | Grip flex cap red         |
| 15   | 2   | R142010RK | Afdichtring M14           | Seal washer M14           |
| 16   | 1   | STM3518   | Banjo bout M14x1,5        | Banjo bolt M15x1,5        |
| 17   | 1   | STM3695   | Banjo oog M14 - Ø10       | Banjo eye M14 - Ø10       |
| 18   | 1   | GFEC010PR | Kap rood                  | Grip flex cap red         |
| 19   | 1   | 365299    | Brandstof label           | Fuel label                |



VD6.170

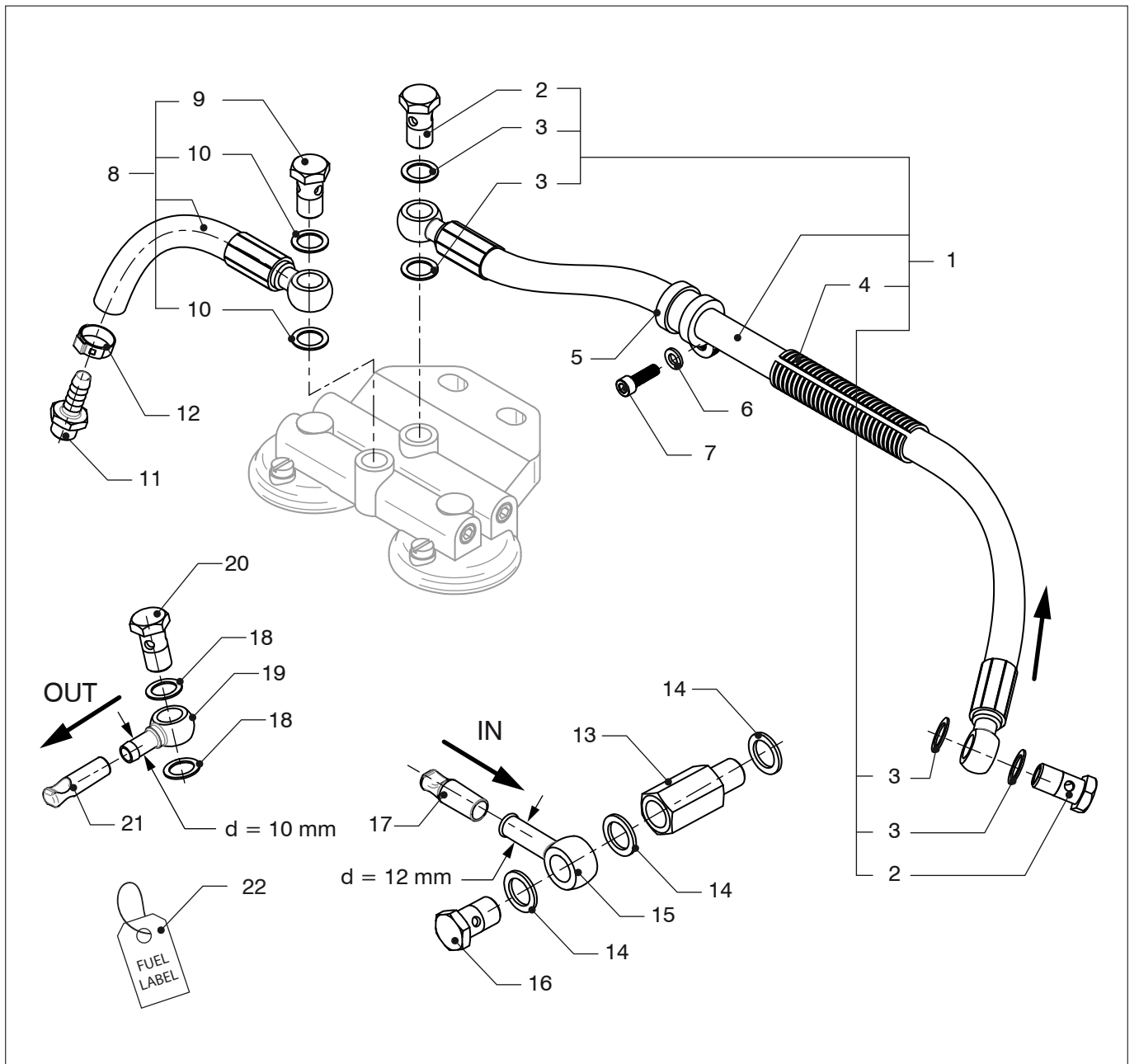
VD6.210

Brandstofslangen

Fuel hoses

| pos. | qty | part     | benaming                  | description               |
|------|-----|----------|---------------------------|---------------------------|
| 1    | 1   | 18-14705 | Brandstofslang (12+13+14) | Fuel hose (12+13+14)      |
| 2    | 2   | STM3518  | Banjo bout M14x1,5        | Banjo bolt M14x1,5        |
| 3    | 4   | R142010K | Afdichtring M14           | Seal washer M14           |
| 4    | 1   | 17-13023 | Beschermhuls              | Protection sleeve         |
| 5    | 1   | STM8832  | Klem Ø18                  | Clamp Ø18                 |
| 6    | 1   | R061Y    | Ring M6                   | Washer M6                 |
| 7    | 1   | B06207Y  | Inbusbout M6x20           | Allen bolt M6x20          |
| 8    | 1   | 18-14706 | Brandstofslang (16+17)    | Fuel hose (16+17)         |
| 9    | 1   | STM3518  | Banjo bout M14x1,5        | Banjo bolt M14x1,5        |
| 10   | 2   | R142010K | Afdichtring M14           | Seal washer M14           |
| 11   | 1   | SLPL1410 | Slangpilaar M14x1,5 - Ø10 | Hose pilar M14x1,5 - Ø10  |
| 12   | 1   | STM9781  | Slangklem 18,5 - 15,3     | Hose clamp 18,5 - 15,3    |
| 13   | 1   | STM8213  | Adapter M16x1,5 - M16x1,5 | Adaptor M16x1,5 - M16x1,5 |
| 14   | 3   | STM6617  | Afdichtring M16           | Seal washer M16           |
| 15   | 1   | STM8215  | Banjo oog M16 - Ø12       | Banjo eye M16 - Ø12       |
| 16   | 1   | STM8214  | Banjo bout M16x1,5        | Banjo bolt M16x1,5        |

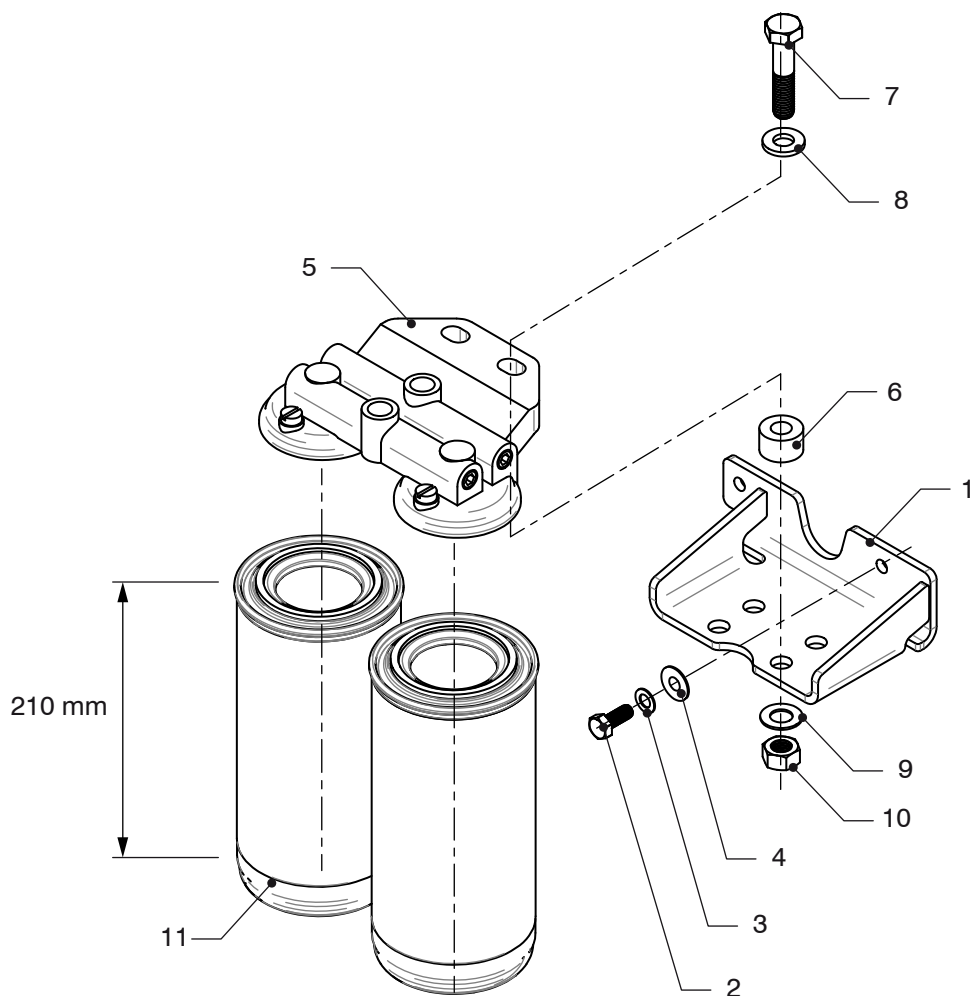




**VD6.170 VD6.210 Brandstofslangen**

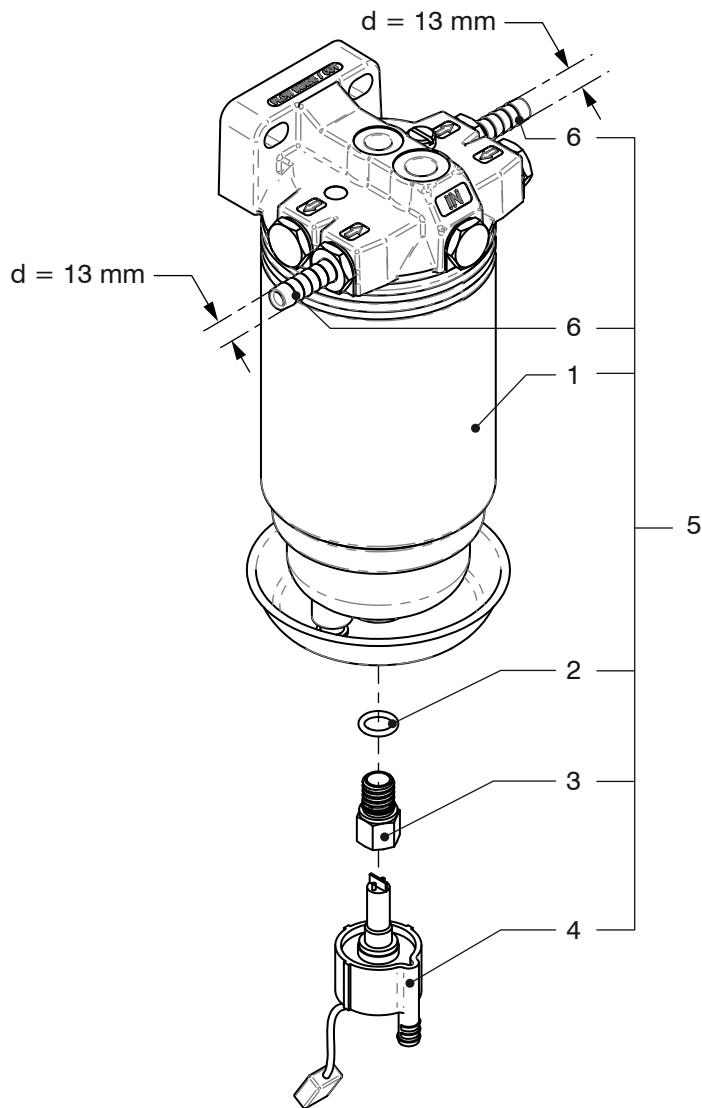
**Fuel hoses**

| pos. | qty | part      | benaming            | description         |
|------|-----|-----------|---------------------|---------------------|
| 17   | 1   | GFEC012PR | Kap rood            | Grip flex cap red   |
| 18   | 2   | R142010K  | Afdichtring M14     | Seal washer M14     |
| 19   | 1   | STM3695   | Banjo oog M14 - Ø10 | Banjo eye M14 - Ø10 |
| 20   | 1   | STM3518   | Banjo bout M14x1,5  | Banjo bolt M14x1,5  |
| 21   | 1   | GFEC010PR | Kap rood            | Grip flex cap red   |
| 22   | 1   | 365299    | Brandstof label     | Fuel label          |



| VD6.170 | VD6.210 | Brandstoffilter | Fuel filter |
|---------|---------|-----------------|-------------|
|---------|---------|-----------------|-------------|

| pos. | qty | part     | benaming              | description            |
|------|-----|----------|-----------------------|------------------------|
| 1    | 1   | 16-4995  | Steun                 | Bracket                |
| 2    | 2   | B08205YT | Zeskantbout M8x20     | Hex head bolt M8x20    |
| 3    | 2   | R085Y    | Gegolfde veerring M8  | Wave spring washer M8  |
| 4    | 2   | STM3749  | Ring Ø24 d=1,6        | Washer Ø24 d=1,6       |
| 5    | 1   | 18-15103 | Brandstoffilterkop    | Fuel filter head       |
| 6    | 2   | 16-6039  | Bus d=15              | Bush d=15              |
| 7    | 2   | B1255Y   | Zeskantbout M12x55    | Hex head bolt M12x55   |
| 8    | 2   | STM3258  | Ring Ø24 d=3          | Washer Ø24 d=3         |
| 9    | 2   | R125Y    | Gegolfde veerring M12 | Wave spring washer M12 |
| 10   | 2   | M12Y     | Moer M12              | Nut M12                |
| 11   | 2   | 17-8509  | Brandstoffilter l=210 | Fuel filter l=210      |

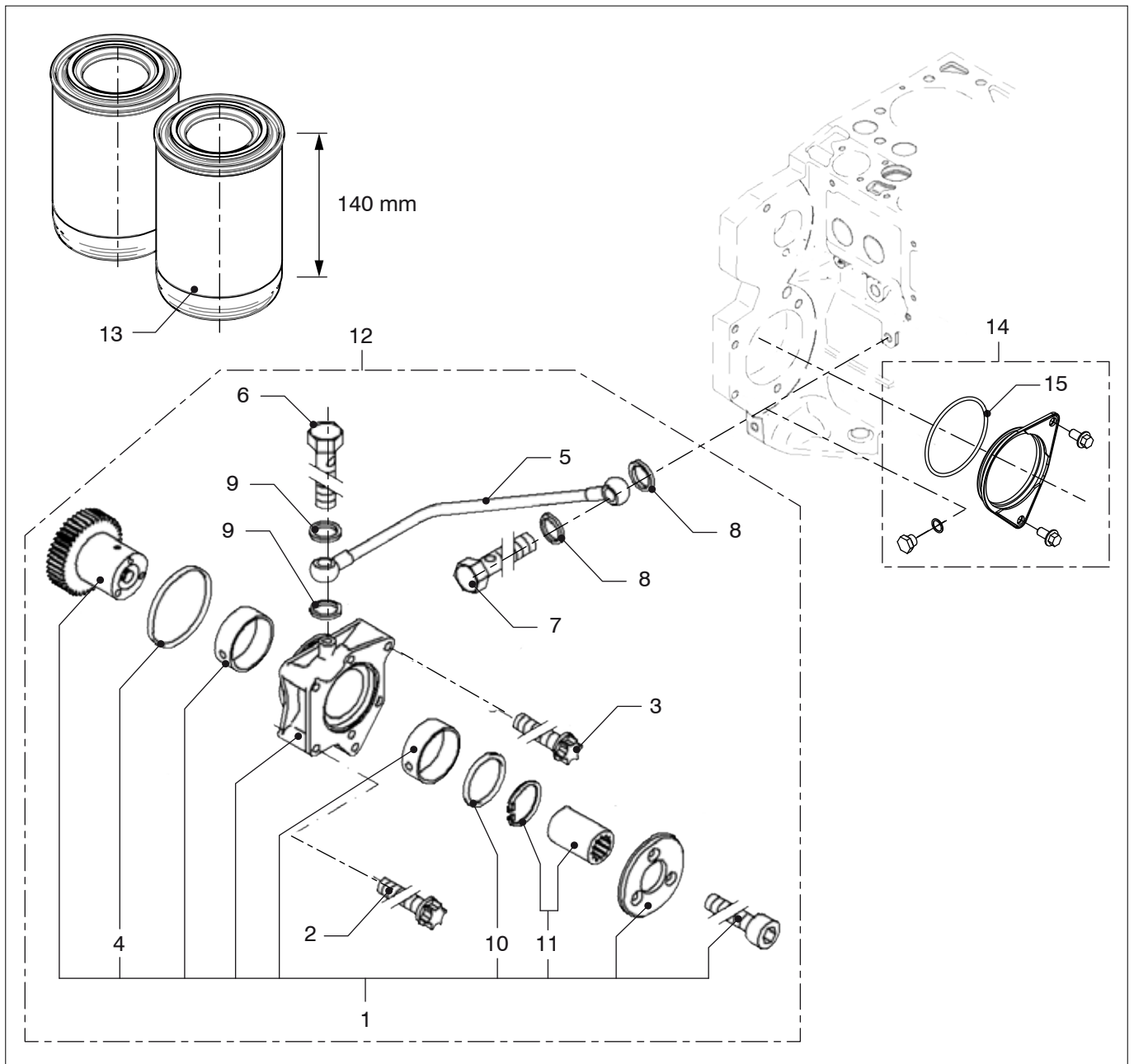


**VD4.120**   **VD4.140**  
**VD6.170**   **VD6.210**

**Water separator/filterset**

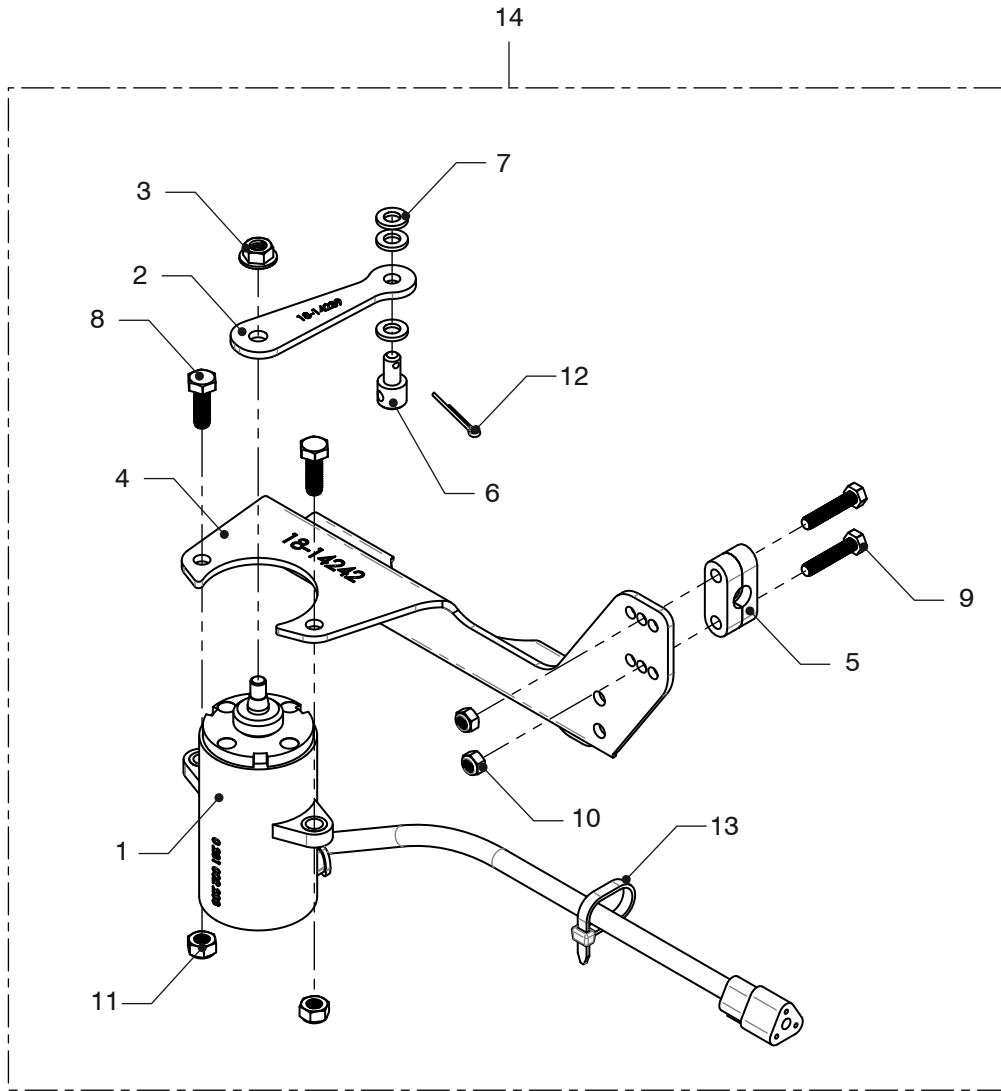
**Water separator/filterkit**

| pos. | qty | part           | benaming                  | description         |
|------|-----|----------------|---------------------------|---------------------|
| 1    | 1   | <b>340VTEB</b> | Water separator/filterset | Spin on filterset   |
| 2    | 1   | <b>17-8228</b> | O-ring 12,4x2,6 NBR       | O-ring 12,4x2,6 NBR |
| 3    | 1   | <b>17-8214</b> | Adapter                   | Adaptor             |
| 4    | 1   | <b>17-8246</b> | Sensor M12x1,5            | Sensor M12x1,5      |
| 5    | 1   | <b>17-8652</b> | Water sep. compleet       | Water sep. kit cpl. |
| 6    | 1   | <b>FFS1300</b> | Nippels Ø13               | Nippels Ø13         |



|                |                |                        |                         |
|----------------|----------------|------------------------|-------------------------|
| <b>VD4.120</b> | <b>VD4.140</b> | <b>Krachtafnemer A</b> | <b>Power take-off A</b> |
| <b>VD6.170</b> | <b>VD6.210</b> |                        |                         |

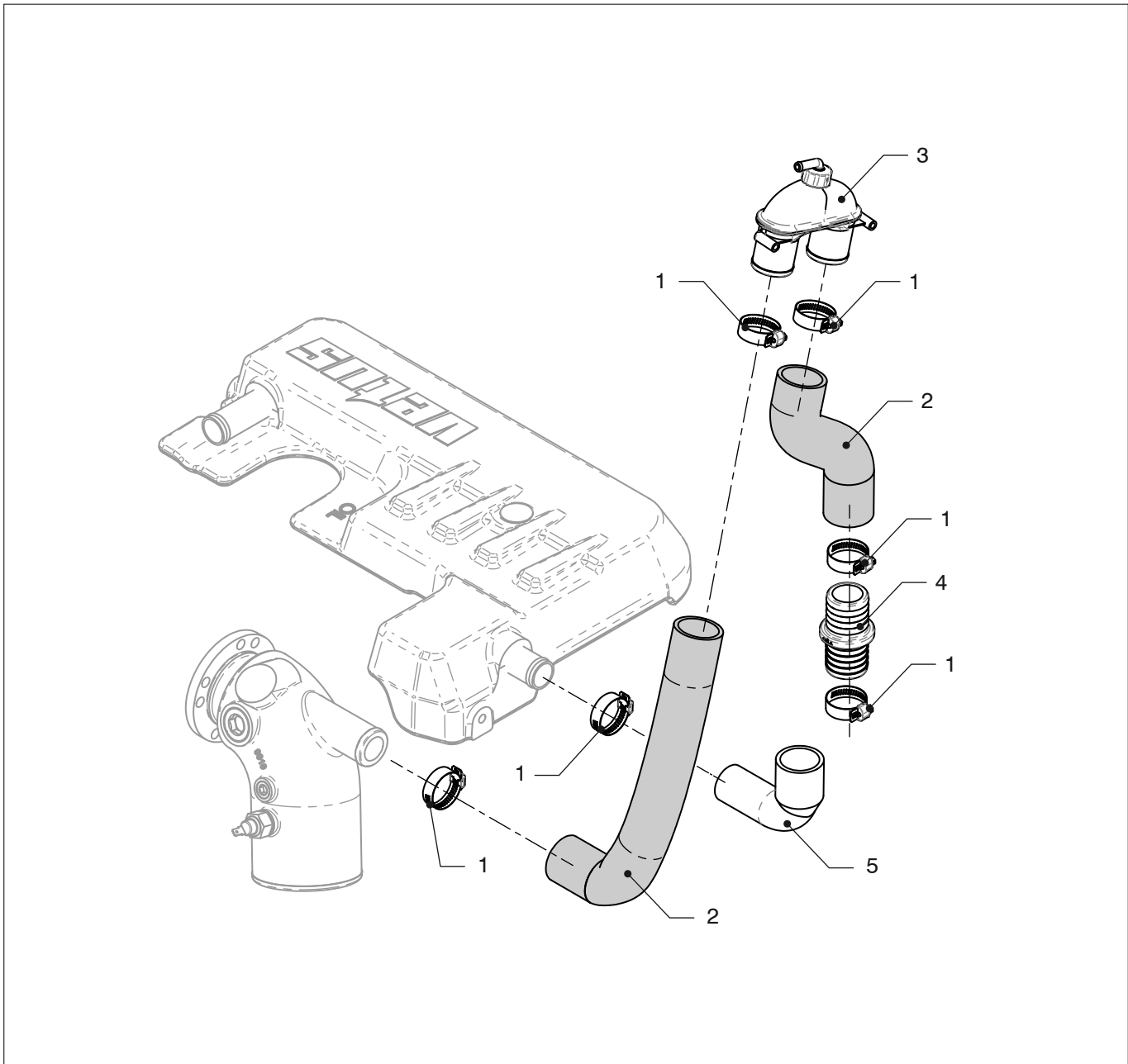
| pos. | qty | part     | benaming                  | description           |
|------|-----|----------|---------------------------|-----------------------|
| 1    | 1   | VD20643  | PTO lagerhuis             | PTO bearing case      |
| 2    | 2   | VD20644  | Torx bout                 | Torx bolt             |
| 3    | 2   | VD20645  | Torx bout                 | Torx bolt             |
| 4    | 1   | VD20037  | O-ring 98x3 zwart         | O-ring 98x3 black     |
| 5    | 1   | VD20650  | Olieleiding               | Oil line              |
| 6    | 1   | VD20646  | Banjo bout                | Banjo bolt            |
| 7    | 1   | VD20648  | Banjo bout                | Banjo bolt            |
| 8    | 2   | VD20647  | Afdichtring M14           | Seal washer M14       |
| 9    | 2   | VD20649  | Afdichtring               | Seal washer           |
| 10   | 1   | VD20651  | O-ring wit                | O-ring white          |
| 11   | 1   | VD20652  | Koppelingshuls            | Spline sleeve         |
| 12   | 1   | VD20642  | PTO set (1t/m12)          | PTO kit (1t/m12)      |
| 13   | 2   | 18-14330 | Brandstoffilter VD6 L=140 | Fuel filter VD6 L=140 |
| 14   | 1   | VP000114 | Set vervanging PTO        | Kit replacing PTO     |
| 15   | 1   | VD20706  | O-ring                    | O-ring                |



**VD4.120**   **VD4.140**   **Potentiometer assy**  
**VD6.170**   **VD6.210**

**Potentiometer assy**

| pos. | qty | part     | benaming                  | description             |
|------|-----|----------|---------------------------|-------------------------|
| 1    | 1   | 18-14238 | Potentiometer             | Potentiometer           |
| 2    | 1   | 18-14239 | Hefboom                   | Lever                   |
| 3    | 1   | 18-14241 | Flensmoer M6              | Hex nut with flange M6  |
| 4    | 1   | 18-14242 | Steun                     | Bracket                 |
| 5    | 1   | STM1703  | Kabelklem                 | Cable clamp             |
| 6    | 1   | STM1806  | Kabelnippel               | Cable nipple            |
| 7    | 3   | STM1807  | Koperenring M6            | Brass washer M6         |
| 8    | 2   | B06185RT | Zeskantbout M6x16         | Hexagon head bolt M6x18 |
| 9    | 2   | B05255RT | Zeskantbout M5x25         | Hexagon head bolt M5x25 |
| 10   | 2   | M05BR    | Zelfborgende moer M5      | Prevailing torque M5    |
| 11   | 2   | M06BR    | Zelfborgende moer M6      | Prevailing torque M6    |
| 12   | 1   | STM1808  | Splitpen 2x25             | Split pin 2x25          |
| 13   | 1   | 18-14270 | Kabelbinder 5x300         | Ty-rap 5x300            |
| 14   | 1   | 18-14240 | Potentiometerset compleet | Potentiometer kit cpl.  |



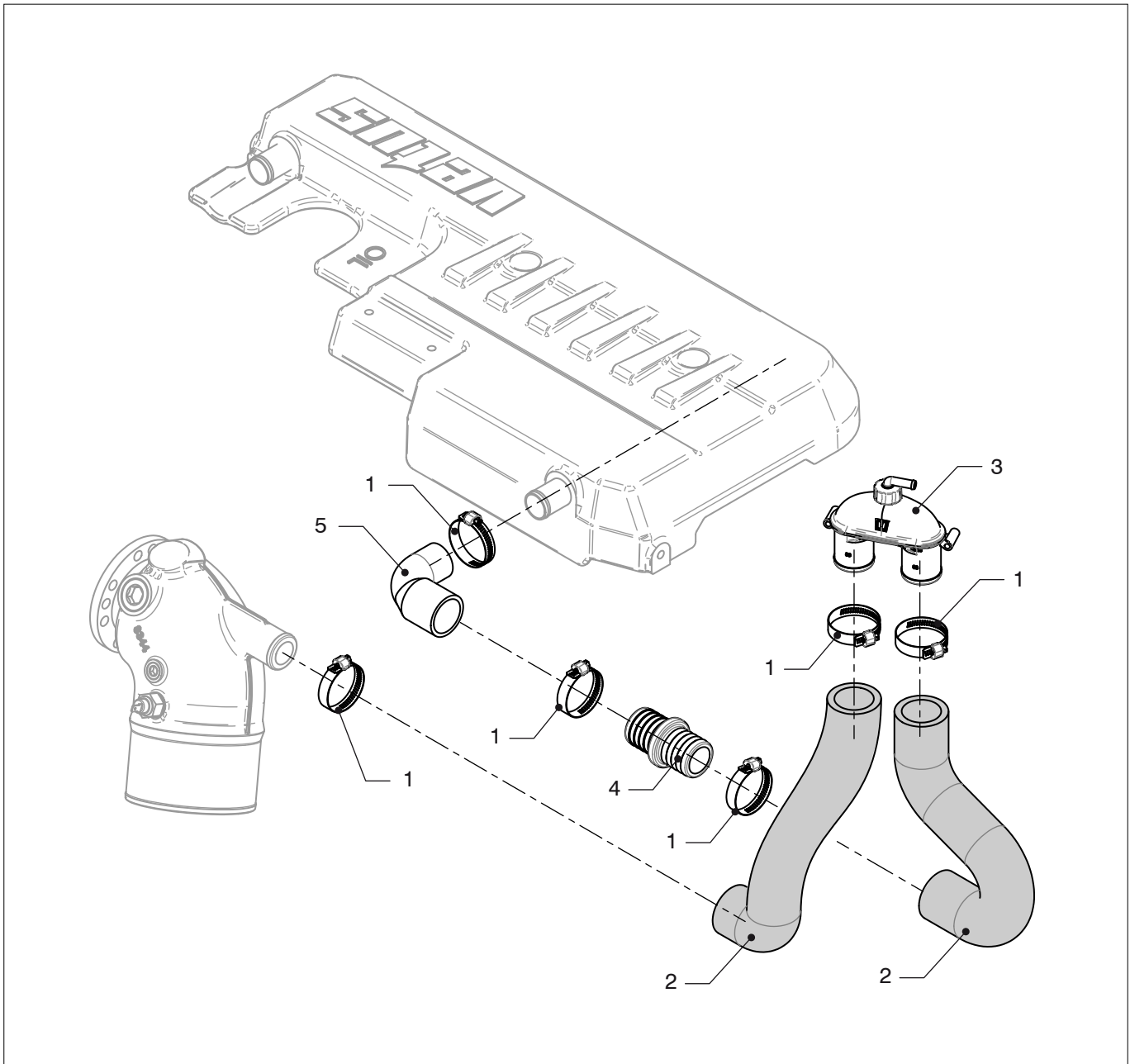
**VD4.120**

**VD4.140**

**Beluchter**

**Airvent**

| pos. | qty | part            | benaming               | description  |
|------|-----|-----------------|------------------------|--------------|
| 1    | 6   | <b>SLKL25</b>   | Slangklem              | Hose clamp   |
| 2    | 2   | <b>MWHOSE38</b> | Slang Ø38mm            | Hose Ø38mm   |
| 3    | 1   | <b>ASD38</b>    | Beluchter              | Airvent      |
| 4    | 1   | <b>18-14983</b> | Slangverbinder Ø38-Ø38 | Tule Ø38-Ø38 |
| 5    | 1   | <b>16-4565</b>  | Vormslangbocht         | Hose bend    |
|      |     |                 |                        |              |
|      |     |                 |                        |              |
|      |     |                 |                        |              |
|      |     |                 |                        |              |
|      |     |                 |                        |              |
|      |     |                 |                        |              |
|      |     |                 |                        |              |
|      |     |                 |                        |              |



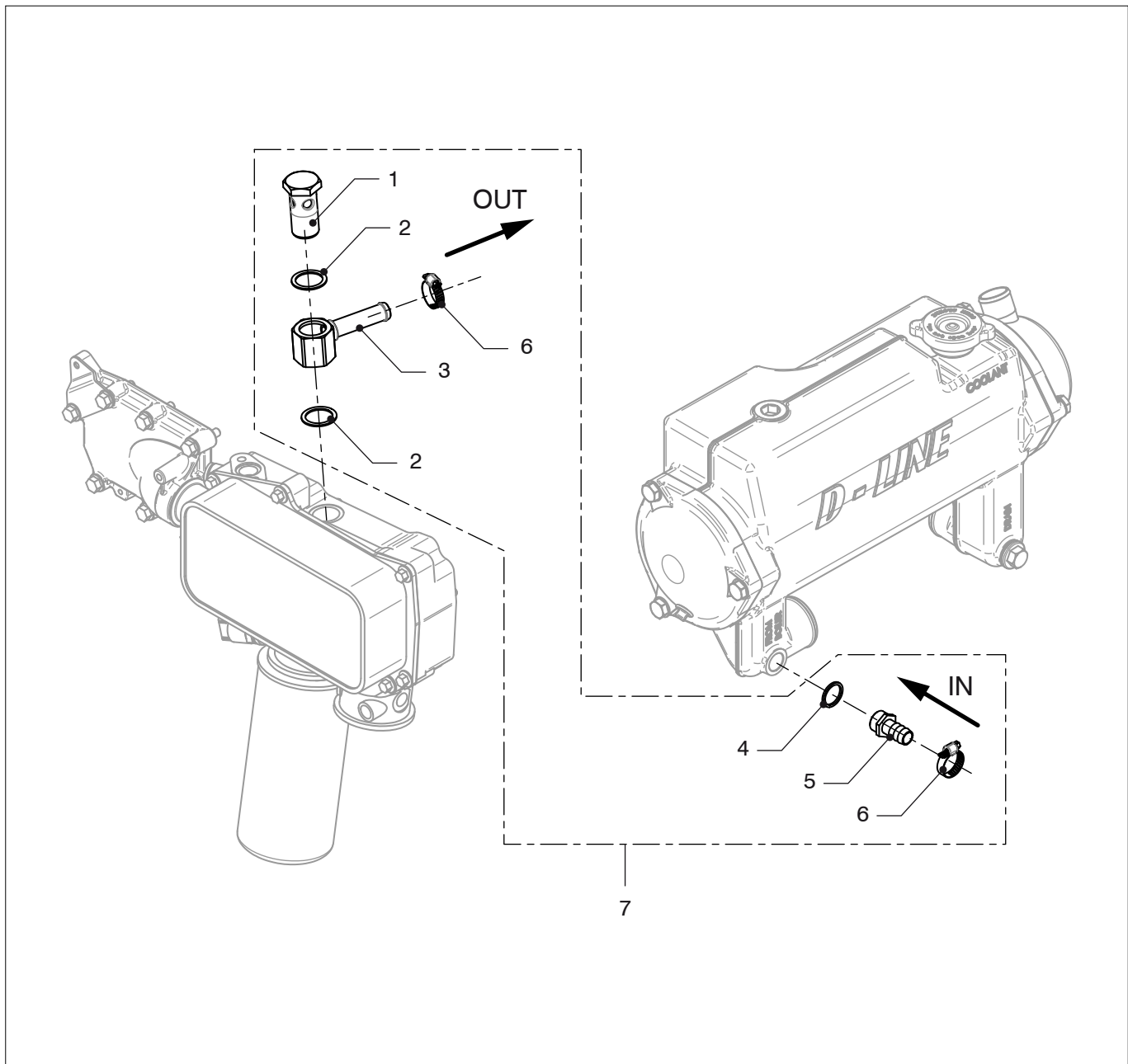
VD6.170

VD6.210

Beluchter

Airvent

| pos. | qty | part     | benaming                  | description            |
|------|-----|----------|---------------------------|------------------------|
| 1    | 6   | SLKL25   | Slangklem                 | Hose clamp             |
| 2    | 2   | MWHOSE38 | Slang Ø38                 | Hose Ø38mm             |
| 3    | 1   | ASD38    | Beluchter                 | Airvent                |
| 4    | 1   | 18-14983 | Slangverbinder Ø38-Ø38    | Tule Ø38-Ø38           |
| 5    | 1   | 16-4565  | Vormslangbocht (afkorten) | Hose bend (abbreviate) |
|      |     |          |                           |                        |
|      |     |          |                           |                        |
|      |     |          |                           |                        |
|      |     |          |                           |                        |
|      |     |          |                           |                        |
|      |     |          |                           |                        |
|      |     |          |                           |                        |
|      |     |          |                           |                        |



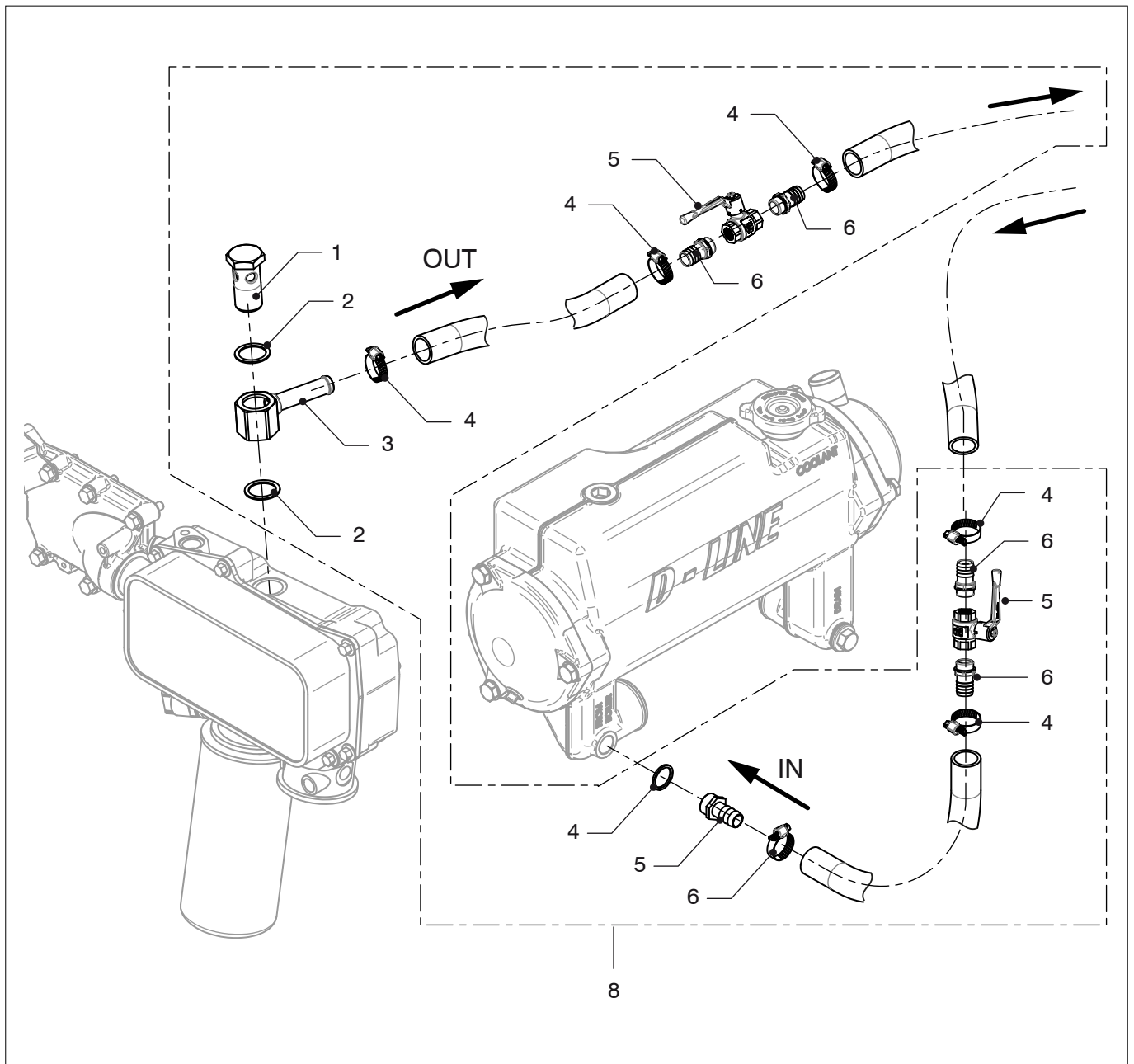
**VD4.120**    **VD4.140**  
**VD6.170**    **VD6.210**

**Boiler aansluiting zonder afsluiters**

**Boiler connection without valves**

| pos. | qty | part     | benaming             | description           |
|------|-----|----------|----------------------|-----------------------|
| 1    | 1   | STM8263  | Banjo bout M26x1,5   | Banjo bolt M26x1,5    |
| 2    | 2   | STM6557  | Afdichtring M26      | Seal washer M26       |
| 3    | 1   | STM9741  | Banjo oog Ø16        | Banjo eye Ø16         |
| 4    | 1   | STM8315  | Afdichtring G1/2     | Seal washer G1/2      |
| 5    | 1   | SLP1/219 | Slangpilaar G1/2-Ø19 | Hose pillar G1/2-Ø19  |
| 6    | 2   | HCS20    | Slangklem 20-32      | Hose clamp 20-32      |
| 7    | 1   | DM10002  | Boileraansluitset    | Boiler connection kit |
|      |     |          |                      |                       |
|      |     |          |                      |                       |
|      |     |          |                      |                       |
|      |     |          |                      |                       |
|      |     |          |                      |                       |
|      |     |          |                      |                       |



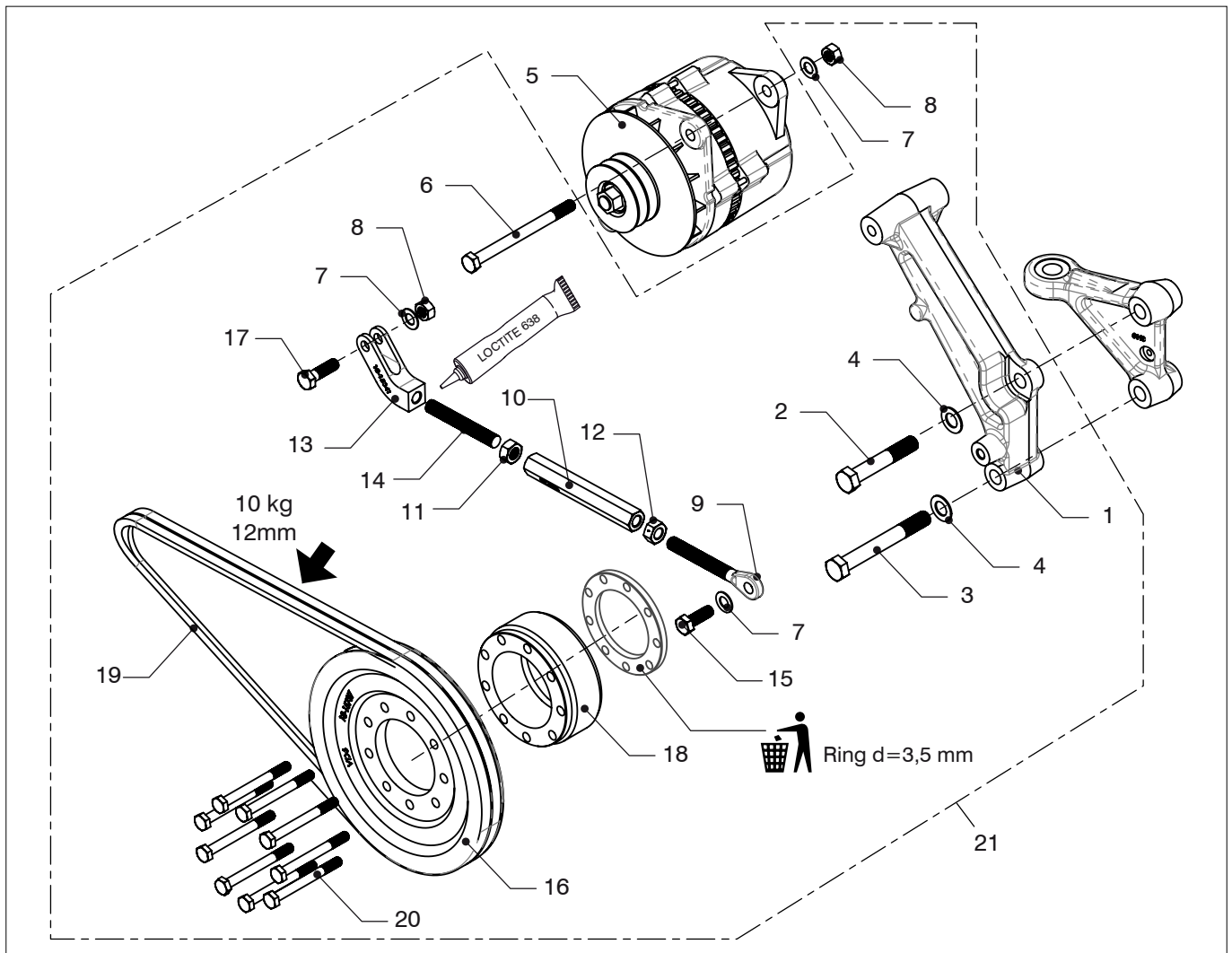


**VD4.120**    **VD4.140**  
**VD6.170**    **VD6.210**

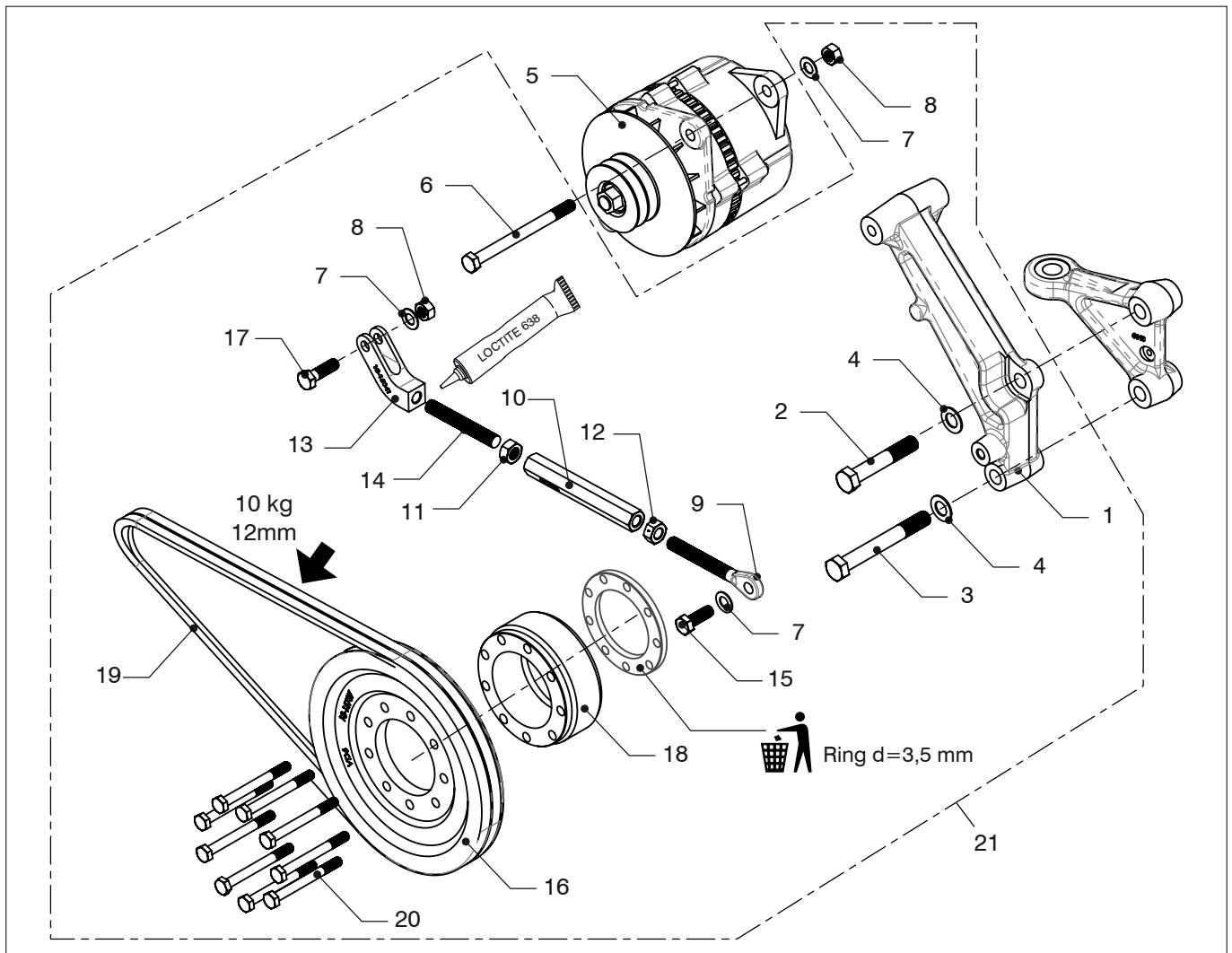
**Boiler aansluiting met afsluiters**

**Boiler connection with valves**

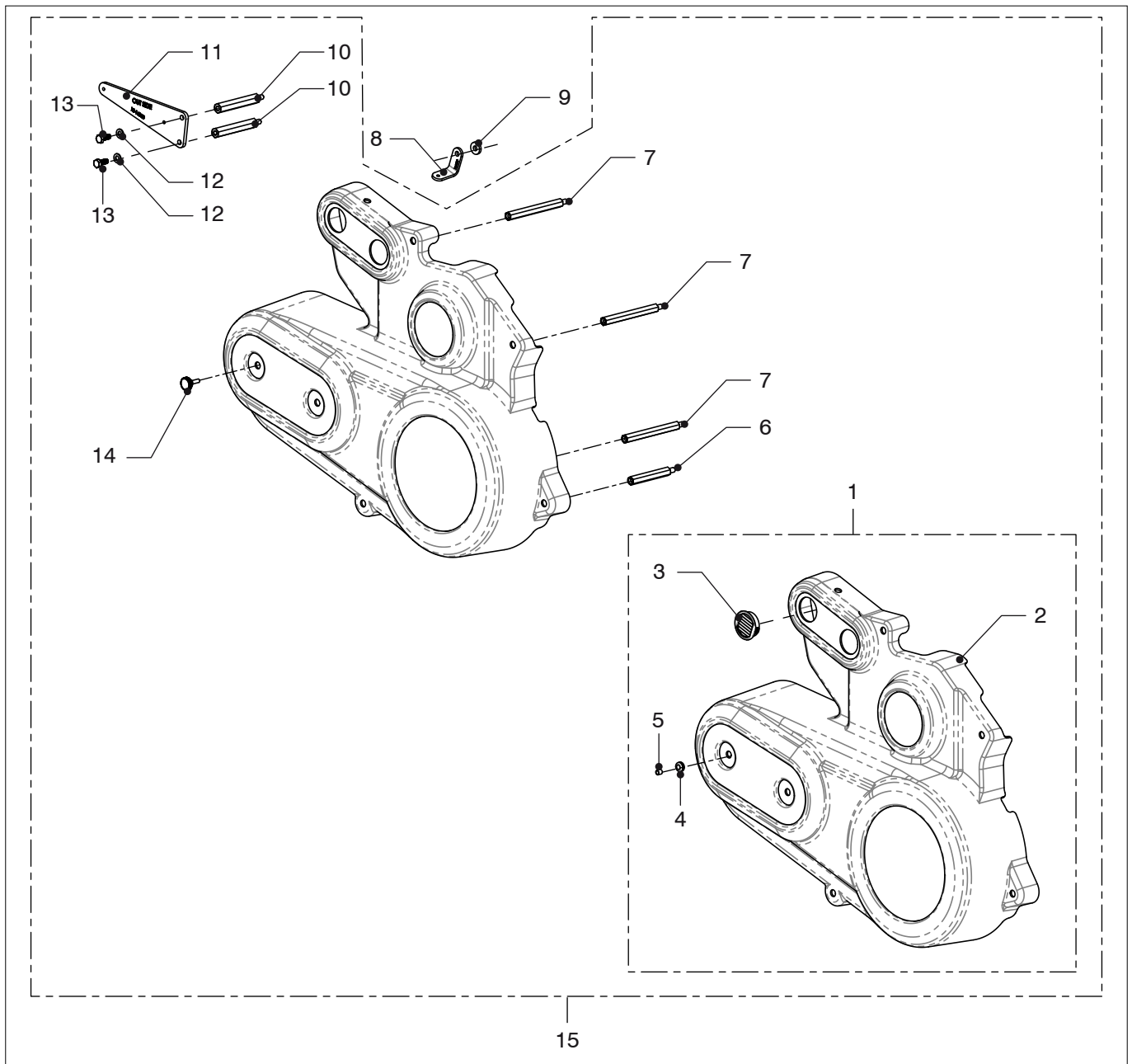
| pos. | qty | part     | benaming             | description           |
|------|-----|----------|----------------------|-----------------------|
| 1    | 1   | STM8263  | Banjo bout M26x1,5   | Banjo bolt M26x1,5    |
| 2    | 2   | STM6557  | Afdichtring M26      | Seal washer M26       |
| 3    | 1   | STM9741  | Banjo oog Ø16        | Banjo eye Ø16         |
| 4    | 6   | HCS20    | Slangklem 20-32      | Hose clamp 20-32      |
| 5    | 2   | KRAAN1/2 | Afsluiter G1/2       | Ball Valve G1/2       |
| 6    | 5   | SLP1/219 | Slangpilaar G1/2-Ø19 | Hose pillar G1/2-Ø19  |
| 7    | 1   | STM8315  | Afdichtring G1/2     | Seal washer G1/2      |
| 8    | 1   | DM10003  | Boileraansluitset    | Boiler connection kit |



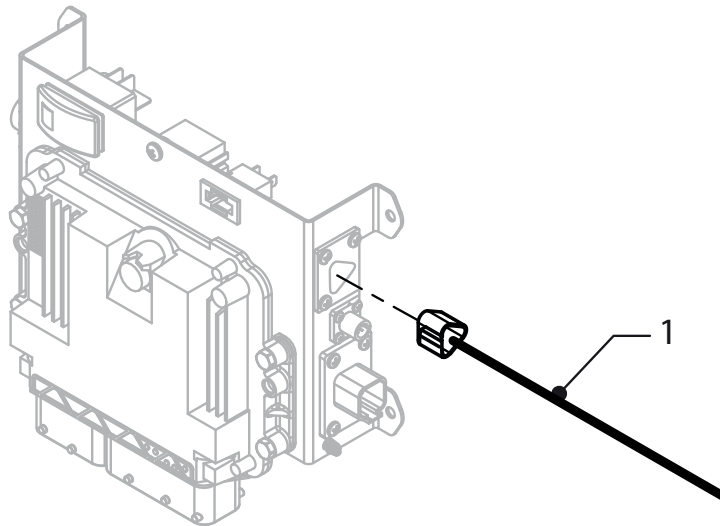
| pos. | qty | part      | benaming                                     | description   |
|------|-----|-----------|--|---|
| 1    | 1   | 18-15006  | Steun  | Support   |
| 2    | 1   | B16905YT  | Bout M16x90                                  | Bolt M16x90   |
| 3    | 1   | B161305YT | Bout M16x130                                 | Bolt M16x130  |
| 4    | 2   | R165Y     | Gegolfde veerring M16                        | Wave spring washer M16                                    |
| 5    | 1   | 18-14446  | Whisper Power dynamo 24V-75A, incl. regelaar | Whisper Power alternator cpl. 24V-75A, incl. controller   |
| 6    | 1   | B121505YT | Bout M12x150                                 | Bolt M12x150  |
| 7    | 3   | R125Y     | Gegolfde veerring M12                        | Wave spring washer M12                                    |
| 8    | 2   | M12Y      | Moer M12                                     | Nut M12   |
| 9    | 1   | 18-14976  | Stangoog M14 linkse schroefdraad             | Rod eye M14 left hand thread                              |
| 10   | 1   | 18-15038  | Stelstang M14                                | Adjusting rod M14   |
| 11   | 1   | M14Y      | Moer M14                                     | Nut M14   |
| 12   | 1   | 18-15693  | Moer M14 linkse schroefdraad                 | Nut M14 left hand thread                                  |
| 13   | 1   | 18-15041  | Gaffel M14                                   | Fork M14  |
| 14   | 1   | 18-15040  | Draadeind M14                                | Stud M14  |
| 15   | 1   | B12355YT  | Bout M12x35                                  | Bolt M12x35   |
| 16   | 1   | 18-14510  | Snaarschijf VD4                              | Pulley VD4  |
| 17   | 1   | B12405YT  | Bout M12x40                                  | Bolt M12x40   |
| 18   | 1   | 18-15687  | Adapter                                      | Adaptor   |
| 19   | 2   | 18-15686  | V-snaar SPA (13x1350 gelijke lengte)         | V-belt SPA (13x1350 equal length)                         |
| 20   | 9   | B10905YT  | Bout M10x90                                  | Bolt M10x90   |
| 21   | 1   | 18-15756  | Set t.b.v. tweede dynamo VD4 (ex. Nr.5)      | Kit for the purpose of second alternator VD4 (excl. No.5) |



| pos. | qty | part      | benaming                                       | description   |
|------|-----|-----------|--|---|
| 1    | 1   | 18-15006  | Steun  | Support   |
| 2    | 1   | B16905YT  | Bout M16x90                                    | Bolt M16x90   |
| 3    | 1   | B161305YT | Bout M16x130                                   | Bolt M16x130  |
| 4    | 2   | R165Y     | Gegolgte veerring M16                          | Wave spring washer M16                                    |
| 5    | 1   | 18-14446  | Whisper Power dynamo 24V-75A<br>incl. regelaar | Whisper Power alternator cpl. 24V-75A<br>incl. controller |
| 6    | 1   | B121505YT | Bout M12x150                                   | Bolt M12x150  |
| 7    | 3   | R125Y     | Gegolgte veerring M12                          | Wave spring washer M12                                    |
| 8    | 2   | M12Y      | Moer M12                                       | Nut M12   |
| 9    | 1   | 18-14976  | Stangoog M14 linkse schroefdraad               | Rod eye M14 left hand thread                              |
| 10   | 1   | 18-15038  | Stelstang M14                                  | Adjusting rod M14   |
| 11   | 1   | M14Y      | Moer M14                                       | Nut M14   |
| 12   | 1   | 18-15693  | Moer M14 linkse schroefdraad                   | Nut M14 left hand thread                                  |
| 13   | 1   | 18-15041  | Gaffel M14                                     | Fork M14  |
| 14   | 1   | 18-15040  | Draaeind M14                                   | Stud M14  |
| 15   | 1   | B12355YT  | Bout M12x35                                    | Bolt M12x35   |
| 16   | 1   | 18-15707  | Snaarschijf VD6                                | Pulley VD6  |
| 17   | 1   | B12405YT  | Bout M12x40                                    | Bolt M12x40   |
| 18   | 1   | 18-15687  | Adapter  | Adaptor   |
| 19   | 2   | 18-15686  | V-snaar SPA (13x1350 gelijke lengte)           | V-belt SPA (13x1350 equal length)                         |
| 20   | 9   | B10905YT  | Bout M10x90                                    | Bolt M10x90   |
| 21   | 1   | 18-15004  | Set t.b.v. tweede dynamo VD6 (ex. Nr.5)        | Kit for the purpose of second alternator VD6 (excl. No.5) |

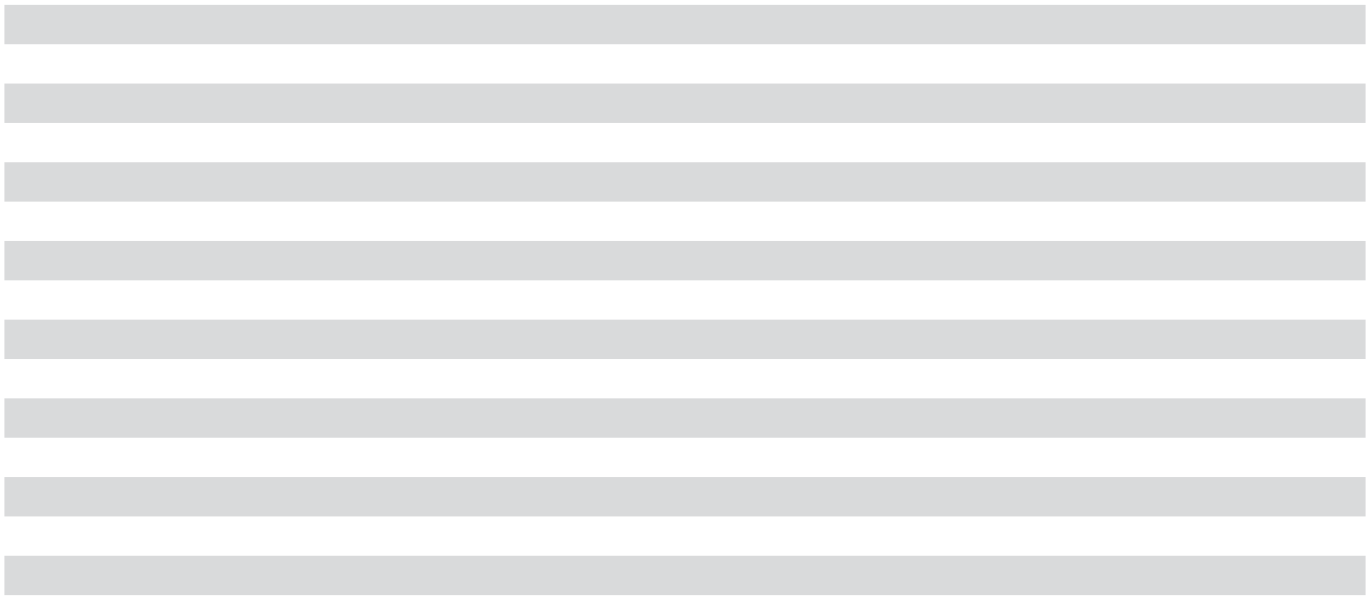


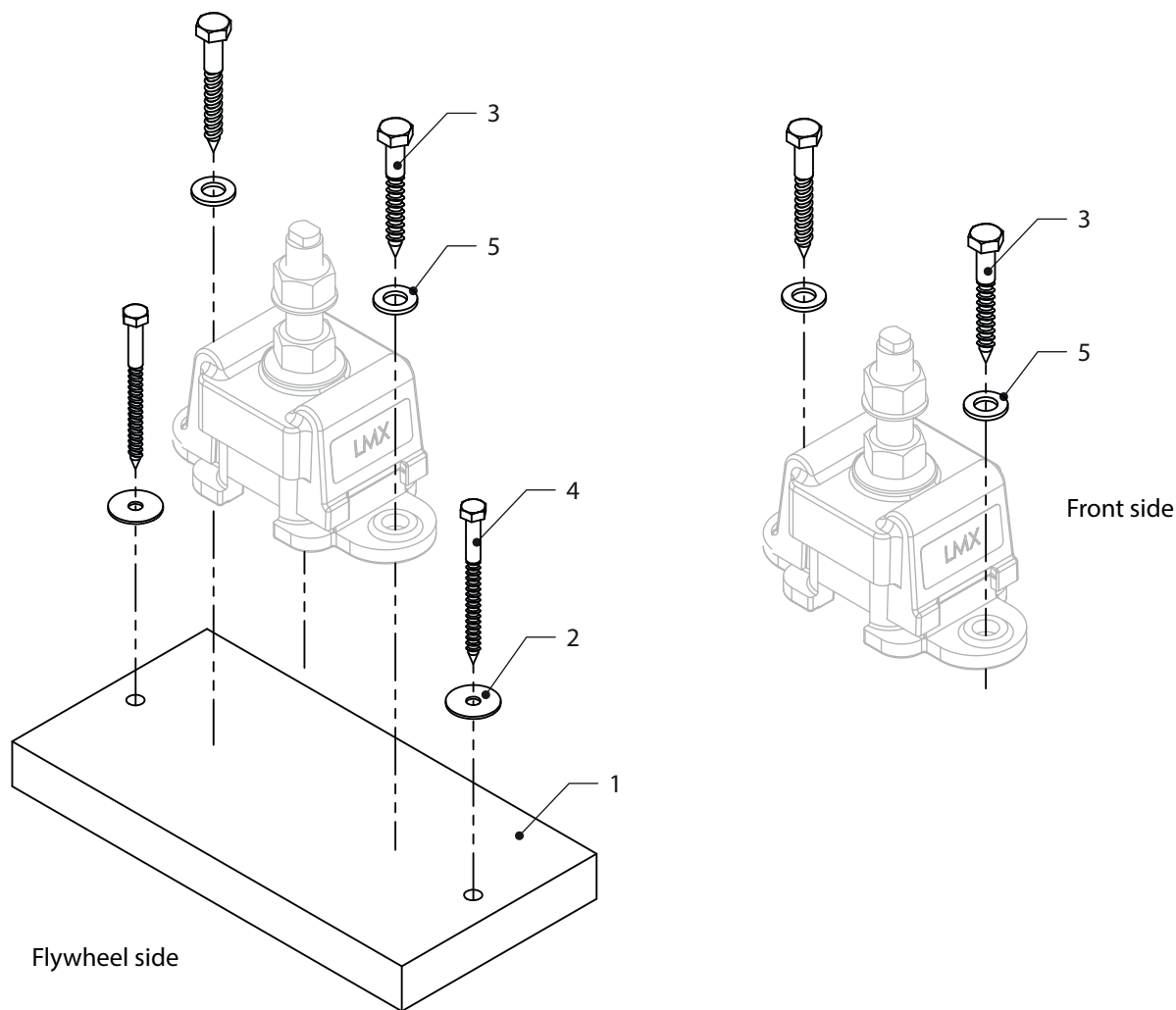
| pos. | qty | part            | benaming                | description           |
|------|-----|-----------------|-------------------------|-----------------------|
| 1    | 1   | <b>18-16367</b> | Afschermkap compleet    | Protection cover cpl. |
| 2    | 1   | <b>18-15797</b> | Afschermkap             | Protection cover      |
| 3    | 2   | <b>16-6211</b>  | Rooster                 | Grid                  |
| 4    | 7   | <b>08-01495</b> | Rubber doorvoer         | Rubber tule           |
| 5    | 7   | <b>08-01496</b> | Bus l=8                 | Bush l=8              |
| 6    | 1   | <b>16-5826</b>  | Afstandhouder M8 l=90   | Stud M8 l=90          |
| 7    | 3   | <b>16-5855</b>  | Stud M8 l=126           | Stud M8 l=126         |
| 8    | 1   | <b>16-5929</b>  | Steun                   | Support               |
| 9    | 1   | <b>CT30059</b>  | Ring d=4                | Washer d=4            |
| 10   | 2   | <b>18-16360</b> | Afstandhouder M8 l=93,5 | Stud M8 l=93,5        |
| 11   | 1   | <b>18-16333</b> | Steun                   | Support               |
| 12   | 2   | <b>R085Y</b>    | Gegolfde veerring M8    | Wave spring washer M8 |
| 13   | 2   | <b>B08205Y</b>  | Zeskant bout M8x20      | Hex head bolt M8x20   |
| 14   | 7   | <b>08-01277</b> | Kartelknop M6           | Knurled screw M6      |
| 15   | 1   | <b>19-17062</b> | Set afschermkap         | Kit protection cover  |



|                |                |                             |                           |
|----------------|----------------|-----------------------------|---------------------------|
| <b>VD4.120</b> | <b>VD4.140</b> | <b>Stekker gasbediening</b> | <b>Connector throttle</b> |
| <b>VD6.170</b> | <b>VD6.210</b> |                             |                           |

| pos. | qty | part     | benaming        | description      |
|------|-----|----------|-----------------|------------------|
| 1    | 1   | 19-17339 | Stekker + draad | Connector + wire |





| pos. | qty | part     | benaming            | description            |
|------|-----|----------|---------------------|------------------------|
| 1    | 2   | 21-21705 | Vulling             | Spacer                 |
| 2    | 4   | 22-22349 | Ring 30x8x1,5       | Plane washer 30x8x1,5  |
| 3    | 8   | 22-22354 | Houtdraibout M10x80 | Hex wood screw M10x80  |
| 4    | 4   | 22-22499 | Houtdraibout M8x100 | Hex wood screw M8x100  |
| 5    | 8   | R121R    | Ring 24x13x2,5      | Plain washer 24x13x2,5 |
|      |     |          |                     |                        |
|      |     |          |                     |                        |
|      |     |          |                     |                        |
|      |     |          |                     |                        |
|      |     |          |                     |                        |
|      |     |          |                     |                        |
|      |     |          |                     |                        |
|      |     |          |                     |                        |

# Register Index

| art.nr. / part | pag.<br>page | pos. | art.nr. / part | pag.<br>page | pos. | art.nr. / part | pag.<br>page | pos. | art.nr. / part | pag.<br>page | pos. |
|----------------|--------------|------|----------------|--------------|------|----------------|--------------|------|----------------|--------------|------|
| 08-00042       | 3-17         | 18   | 16-3579        | 3-16         | 4    | 16-4995        | 6-9          | 1    | 16-6248        | 3-9          | 22   |
| 08-00042       | 3-19         | 18   | 16-3579        | 3-18         | 4    | 16-5023        | 2-43         | 10   | 16-6249        | 3-1          | 1    |
| 08-01277       | 2-37         | 9    | 16-3595        | 2-42         | 4    | 16-5024        | 2-43         | 11   | 16-6249        | 3-3          | 17   |
| 08-01277       | 10-9         | 14   | 16-3625        | 3-14         | 4    | 16-5034        | 3-2          | 2    | 16-6320        | 2-43         | 1    |
| 08-01387       | 3-14         | 10   | 16-3625        | 3-15         | 4    | 16-5034        | 3-3          | 2    | 16-6380        | 4-5          | 1    |
| 08-01387       | 3-15         | 10   | 16-3774        | 3-6          | 1    | 16-5034        | 3-6          | 5    | 16-6381        | 2-45         | 9    |
| 08-01389       | 2-41         | 10   | 16-3775        | 3-6          | 2    | 16-5034        | 3-8          | 6    | 16-6382        | 2-33         | 9    |
| 08-01487       | 3-1          | 13   | 16-3776        | 3-6          | 3    | 16-5039        | 3-15         | 14   | 16-6394        | 4-5          | 2    |
| 08-01495       | 2-37         | 4    | 16-4099        | 2-38         | 1    | 16-5091        | 3-4          | 10   | 16-6836        | 4-5          | 9    |
| 08-01495       | 10-9         | 4    | 16-4099        | 2-39         | 1    | 16-5143        | 2-44         | 21   | 16-6864        | 4-5          | 14   |
| 08-01496       | 2-37         | 5    | 16-4116        | 2-38         | 9    | 16-5145        | 2-46         | 2    | 16-6869        | 4-5          | 12   |
| 08-01496       | 10-9         | 5    | 16-4116        | 2-39         | 9    | 16-5172        | 2-46         | 9    | 16-6878        | 4-5          | 13   |
| 15-2768        | 2-47         | 1    | 16-4198        | 3-5          | 11   | 16-5172        | 2-47         | 7    | 16-6923        | 4-13         | 18   |
| 15-2770        | 3-3          | 1    | 16-4205        | 3-5          | 8    | 16-5181        | 2-39         | 15   | 16-6923        | 4-14         | 18   |
| 15-2787        | 3-8          | 1    | 16-4258        | 1-1          | 7    | 16-5203        | 3-4          | 8    | 16-6923        | 4-15         | 18   |
| 15-2789        | 3-15         | 1    | 16-4258        | 1-2          | 7    | 16-5227        | 2-38         | 15   | 16-6923        | 4-16         | 18   |
| 15-2790        | 3-8          | 2    | 16-4258        | 4-8          | 22   | 16-5451        | 2-42         | 1    | 16-6923M       | 4-13         | 17   |
| 15-2795        | 3-2          | 1    | 16-4258        | 4-10         | 22   | 16-5573        | 4-7          | 1    | 16-6923M       | 4-15         | 17   |
| 16-3259        | 4-7          | 5    | 16-4259        | 3-8          | 5    | 16-5573        | 4-9          | 1    | 16-6923MV      | 4-14         | 17   |
| 16-3259        | 4-13         | 2    | 16-4268        | 2-37         | 2    | 16-5600        | 3-2          | 3    | 16-6923MV      | 4-16         | 17   |
| 16-3314        | 4-7          | 15   | 16-4489        | 3-5          | 13   | 16-5600        | 3-3          | 3    | 16-6924        | 4-13         | 16   |
| 16-3314        | 4-9          | 15   | 16-4507        | 2-37         | 1    | 16-5600        | 3-20         | 6    | 16-6924        | 4-14         | 16   |
| 16-3315        | 4-7          | 12   | 16-4565        | 3-19         | 24   | 16-5600        | 3-21         | 6    | 16-6924        | 4-15         | 16   |
| 16-3322        | 3-1          | 8    | 16-4565        | 10-3         | 5    | 16-5618        | 2-45         | 1    | 16-6924        | 4-16         | 16   |
| 16-3333        | 3-1          | 3    | 16-4565        | 10-4         | 5    | 16-5826        | 2-37         | 6    | 16-6930        | 3-8          | 3    |
| 16-3333        | 3-14         | 3    | 16-4569        | 3-15         | 2    | 16-5826        | 10-9         | 6    | 16-6931        | 3-2          | 4    |
| 16-3333        | 3-15         | 3    | 16-4608        | 2-45         | 13   | 16-5855        | 2-37         | 7    | 16-6931        | 3-3          | 4    |
| 16-3338        | 3-20         | 3    | 16-4712        | 3-16         | 13   | 16-5855        | 10-9         | 7    | 16-6932        | 3-6          | 6    |
| 16-3338        | 3-21         | 3    | 16-4712        | 3-18         | 13   | 16-5888        | 2-38         | 8    | 16-6977        | 2-41         | 8    |
| 16-3340        | 3-21         | 2    | 16-4713        | 3-16         | 12   | 16-5888        | 2-39         | 8    | 16-7018        | 3-4          | 13   |
| 16-3347        | 3-18         | 11   | 16-4713        | 3-18         | 12   | 16-5892        | 4-5          | 8    | 16-7061        | 4-6          | 1    |
| 16-3356        | 3-19         | 19   | 16-4720        | 2-33         | 1    | 16-5911        | 2-38         | 7    | 16-7161        | 2-41         | 6    |
| 16-3365        | 3-4          | 4    | 16-4791        | 3-6          | 4    | 16-5911        | 2-39         | 7    | 16-7210        | 4-6          | 19   |
| 16-3365        | 3-5          | 4    | 16-4797        | 2-46         | 1    | 16-5920        | 2-38         | 4    | 16-7210        | 4-13         | 3    |
| 16-3368        | 3-19         | 20   | 16-4801        | 3-20         | 2    | 16-5920        | 2-39         | 4    | 16-7210        | 4-14         | 3    |
| 16-3370        | 2-47         | 2    | 16-4806        | 3-17         | 21   | 16-5929        | 2-37         | 8    | 16-7210        | 4-15         | 3    |
| 16-3373        | 2-47         | 4    | 16-4806        | 3-19         | 21   | 16-5929        | 4-7          | 8    | 16-7210        | 4-16         | 3    |
| 16-3466        | 3-5          | 9    | 16-4809        | 3-17         | 19   | 16-5929        | 4-9          | 8    | 16-7217        | 4-6          | 17   |
| 16-3467        | 3-5          | 10   | 16-4812        | 3-17         | 20   | 16-5929        | 10-9         | 8    | 16-7219        | 4-6          | 16   |
| 16-3468        | 3-8          | 4    | 16-4823        | 3-4          | 11   | 16-6039        | 6-9          | 6    | 16-7220        | 4-6          | 14   |
| 16-3565        | 3-16         | 3    | 16-4872        | 3-16         | 11   | 16-6077        | 3-21         | 9    | 16-7242        | 4-6          | 12   |
| 16-3565        | 3-18         | 3    | 16-4874        | 3-14         | 1    | 16-6079        | 2-39         | 18   | 16-7472        | 3-4          | 1    |
| 16-3571        | 3-16         | 10   | 16-4889        | 3-4          | 9    | 16-6080        | 3-15         | 11   | 16-7472        | 3-7          | 21   |
| 16-3571        | 3-18         | 10   | 16-4924        | 3-17         | 24   | 16-6211        | 2-37         | 3    | 16-7473        | 3-1          | 1    |
| 16-3572        | 3-16         | 2    | 16-4969        | 3-14         | 2    | 16-6211        | 10-9         | 3    | 16-7473        | 3-2          | 17   |
| 16-3572        | 3-18         | 2    | 16-4981        | 2-32         | 1    | 16-6248        | 3-5          | 1    | 16-7475        | 2-43         | 9    |

| art.nr. / part | pag. page | pos. | art.nr. / part | pag. page | pos. | art.nr. / part | pag. page | pos. | art.nr. / part | pag. page | pos. |
|----------------|-----------|------|----------------|-----------|------|----------------|-----------|------|----------------|-----------|------|
| 16-7476        | 2-32      | 9    | 17-9893        | 4-9       | 12   | 18-16367       | 10-9      | 1    | B06255R        | 4-6       | 2    |
| 16-7477        | 3-12      | 14   | 18-14238       | 10-2      | 1    | 19-16600       | 4-5       | 21   | B06257Y        | 3-16      | 14   |
| 16-7478        | 2-38      | 18   | 18-14239       | 10-2      | 2    | 19-16625       | 4-5       | 20   | B06257Y        | 3-18      | 14   |
| 16-8629        | 3-14      | 13   | 18-14240       | 10-2      | 14   | 19-17062       | 10-9      | 15   | B06257Y        | 4-5       | 15   |
| 17-10187       | 2-42      | 11   | 18-14241       | 10-2      | 3    | 19-17339       | 10-10     | 1    | B06305YT       | 2-46      | 6    |
| 17-10200       | 6-6       | 1    | 18-14242       | 10-2      | 4    | 19-18076       | 3-18      | 3    | B06307Y        | 3-4       | 14   |
| 17-10209       | 2-41      | 7    | 18-14270       | 10-2      | 13   | 21-20830       | 2-32      | 15   | B06405YT       | 4-5       | 3    |
| 17-10327       | 3-17      | 27   | 18-14330       | 10-1      | 13   | 21-20830       | 2-33      | 15   | B06407Y        | 3-5       | 14   |
| 17-10327       | 3-19      | 27   | 18-14446       | 10-7      | 5    | 21-21053       | 2-42      | 15   | B065Y          | 3-17      | 23   |
| 17-10657       | 3-3       | 7    | 18-14446       | 10-8      | 5    | 21-21506       | 3-6       | 12   | B065Y          | 3-19      | 23   |
| 17-10657       | 3-8       | 7    | 18-14510       | 10-7      | 16   | 21-21506       | 3-8       | 12   | B081205Y       | 2-43      | 13   |
| 17-10978       | 3-2       | 9    | 18-14649       | 3-2       | 7    | 21-21705       | 10-11     | 1    | B081205Y       | 3-16      | 7    |
| 17-10978       | 3-6       | 7    | 18-14649       | 3-3       | 5    | 22-22169       | 2-45      | 16   | B081205Y       | 3-18      | 7    |
| 17-11213       | 2-38      | 18   | 18-14705       | 6-7       | 1    | 22-22217       | 2-44      | 24   | B08165YT       | 2-38      | 2    |
| 17-13023       | 6-6       | 4    | 18-14706       | 6-7       | 8    | 22-22349       | 10-11     | 2    | B08165YT       | 2-39      | 2    |
| 17-13023       | 6-7       | 4    | 18-14716       | 3-1       | 2    | 22-22354       | 10-11     | 3    | B08165YT       | 2-43      | 4    |
| 17-13024       | 6-6       | 5    | 18-14976       | 10-7      | 9    | 22-22499       | 10-11     | 4    | B08165YT       | 2-43      | 6    |
| 17-13578       | 4-14      | 2    | 18-14976       | 10-8      | 9    | 22-23347       | 2-38      | 19   | B08165YT       | 2-44      | 17   |
| 17-7378        | 2-41      | 1    | 18-14983       | 10-3      | 4    | 22-23347       | 2-39      | 19   | B08165YT       | 2-44      | 20   |
| 17-7565        | 3-20      | 9    | 18-14983       | 10-4      | 4    | 22-23348       | 2-38      | 20   | B08165YT       | 2-45      | 4    |
| 17-8214        | 6-10      | 3    | 18-15004       | 10-8      | 21   | 22-23348       | 2-39      | 20   | B08165YT       | 2-45      | 6    |
| 17-8228        | 6-10      | 2    | 18-15006       | 10-7      | 1    | 22-23671       | 2-38      | 21   | B08165YT       | 2-47      | 6    |
| 17-8246        | 6-10      | 4    | 18-15006       | 10-8      | 1    | 22-23671       | 2-39      | 21   | B08165YT       | 3-4       | 5    |
| 17-8504        | 4-6       | 4    | 18-15038       | 10-7      | 10   | 22-23672       | 2-38      | 10   | B08165YT       | 3-5       | 5    |
| 17-8508        | 1-1       | 1    | 18-15038       | 10-8      | 10   | 22-23672       | 2-39      | 10   | B08165YT       | 3-16      | 16   |
| 17-8508        | 1-2       | 1    | 18-15040       | 10-7      | 14   | 340VTEB        | 6-10      | 1    | B08165YT       | 3-18      | 16   |
| 17-8508        | 2-5       | 21   | 18-15040       | 10-8      | 14   | 365199         | 2-9       | 8    | B08165YT       | 4-8       | 20   |
| 17-8509        | 1-1       | 2    | 18-15041       | 10-7      | 13   | 365299         | 6-6       | 19   | B08165YT       | 4-10      | 20   |
| 17-8509        | 1-2       | 2    | 18-15041       | 10-8      | 13   | ASD38          | 10-3      | 3    | B08167Y        | 2-43      | 8    |
| 17-8509        | 6-9       | 11   | 18-15103       | 6-9       | 5    | ASD38          | 10-4      | 3    | B08167Y        | 2-45      | 8    |
| 17-8512        | 2-5       | 21   | 18-15120       | 6-6       | 9    | B03083RK       | 4-6       | 13   | B08205Y        | 10-9      | 13   |
| 17-8629        | 3-15      | 12   | 18-15643       | 4-8       | 19   | B04103RK       | 4-6       | 15   | B08205YT       | 2-42      | 5    |
| 17-8637        | 4-6       | 5    | 18-15643       | 4-10      | 19   | B05083RK       | 4-6       | 8    | B08205YT       | 2-45      | 12   |
| 17-8652        | 6-10      | 5    | 18-15686       | 10-7      | 19   | B05105RT4      | 2-32      | 8    | B08205YT       | 3-4       | 6    |
| 17-8897        | 3-14      | 7    | 18-15686       | 10-8      | 19   | B05105YT       | 2-33      | 2    | B08205YT       | 3-5       | 6    |
| 17-8897        | 3-15      | 7    | 18-15687       | 10-7      | 18   | B05127Y        | 4-5       | 7    | B08205YT       | 6-9       | 2    |
| 17-9415        | 2-38      | 9    | 18-15687       | 10-8      | 18   | B05255RT       | 10-2      | 9    | B08255YT       | 3-1       | 7    |
| 17-9415        | 2-39      | 9    | 18-15693       | 10-7      | 12   | B05307Y        | 2-38      | 5    | B08255YT       | 3-6       | 15   |
| 17-9416        | 2-39      | 18   | 18-15693       | 10-8      | 12   | B05307Y        | 2-39      | 5    | B08255YT       | 3-9       | 17   |
| 17-9689        | 4-6       | 18   | 18-15707       | 10-8      | 16   | B06165YT       | 2-44      | 23   | B08305YT       | 3-4       | 2    |
| 17-9701        | 3-14      | 11   | 18-15756       | 10-7      | 21   | B06165YT       | 2-45      | 15   | B08305YT       | 3-5       | 2    |
| 17-9711        | 3-14      | 12   | 18-15797       | 10-9      | 2    | B06165YT       | 2-46      | 4    | B08355YT       | 3-1       | 10   |
| 17-9723        | 3-14      | 16   | 18-15868       | 5-1       | 5    | B06165YT       | 3-17      | 22   | B08505Y        | 4-5       | 10   |
| 17-9742        | 2-41      | 2    | 18-15868       | 5-2       | 5    | B06165YT       | 3-19      | 22   | B08605YT       | 3-12      | 15   |
| 17-9755        | 3-14      | 14   | 18-15868       | 5-2       | 5    | B06167Y        | 2-41      | 11   | B08605YT       | 3-13      | 15   |
| 17-9889        | 4-9       | 5    | 18-15868       | 5-3       | 5    | B06185RT       | 10-2      | 8    | B08707Y        | 2-43      | 14   |
| 17-9889        | 4-15      | 2    | 18-16333       | 10-9      | 11   | B06207Y        | 6-6       | 8    | B08855Y        | 4-7       | 6    |
| 17-9889        | 4-16      | 2    | 18-16360       | 10-9      | 10   | B06207Y        | 6-7       | 7    | B08855Y        | 4-9       | 6    |



| art.nr. / part | pag. page | pos. | art.nr. / part | pag. page | pos. | art.nr. / part | pag. page | pos. | art.nr. / part | pag. page | pos. |
|----------------|-----------|------|----------------|-----------|------|----------------|-----------|------|----------------|-----------|------|
| B08905Y        | 3-6       | 16   | BFUSE10        | 4-15      | 11   | DM10016        | 3-12      | 11   | DZ01065        | 2-10      | 3    |
| B08905Y        | 3-9       | 18   | BFUSE10        | 4-16      | 11   | DM10016        | 3-13      | 11   | DZ01066        | 2-10      | 4    |
| B101105Y       | 3-1       | 12   | BFUSE25        | 4-5       | 18   | DM10021        | 1-1       | 5    | DZ01069        | 2-10      | 5    |
| B10255YT       | 3-1       | 5    | BFUSE25        | 4-13      | 10   | DM10021        | 1-2       | 5    | DZ01070        | 2-10      | 6    |
| B10255YT       | 3-14      | 18   | BFUSE25        | 4-14      | 10   | DM10032        | 2-42      | 8    | DZ01071        | 2-10      | 7    |
| B10255YT       | 3-15      | 16   | BFUSE25        | 4-15      | 10   | DM10032        | 2-42      | 10   | DZ01072        | 2-10      | 8    |
| B10355Y        | 3-2       | 5    | BFUSE25        | 4-16      | 10   | DM10160        | 2-42      | 9    | DZ01073        | 2-10      | 9    |
| B10355Y        | 3-3       | 16   | BP255          | 4-6       | 10   | DM10161        | 2-42      | 12   | DZ01074        | 2-10      | 10   |
| B10355Y        | 3-7       | 17   | CT30059        | 2-37      | 10   | DM10162        | 2-42      | 13   | DZ01075        | 2-10      | 11   |
| B10355Y        | 3-9       | 20   | CT30059        | 4-7       | 9    | DM10164        | 2-42      | 14   | DZ01084        | 2-10      | 12   |
| B10355Y        | 3-14      | 5    | CT30059        | 4-9       | 9    | DZ01001        | 2-6       | 1    | DZ01088        | 2-8       | 6    |
| B10355Y        | 3-15      | 5    | CT30059        | 10-9      | 9    | DZ01001        | 2-6       | 1    | DZ01090        | 2-8       | 7    |
| B1035RIPPB     | 4-8       | 25   | CT30112        | 3-17      | 25   | DZ01002        | 2-6       | 2    | DZ01097        | 2-9       | 7    |
| B1035RIPPB     | 4-10      | 25   | CT30112        | 3-19      | 25   | DZ01002        | 2-6       | 2    | DZ02001        | 2-11      | 1    |
| B10455Y        | 4-7       | 2    | CT40058        | 5-4       | 14   | DZ01003        | 2-6       | 3    | DZ02002        | 2-11      | 2    |
| B10455Y        | 4-9       | 2    | CT50003        | 5-1       | 10   | DZ01003        | 2-6       | 3    | DZ02003        | 2-11      | 3    |
| B10905YT       | 10-7      | 20   | CT50021        | 5-1       | 2    | DZ01004        | 2-6       | 4    | DZ02003        | 2-11      | 3    |
| B10905YT       | 10-8      | 20   | CT50021        | 5-2       | 2    | DZ01005        | 2-6       | 5    | DZ02004        | 2-11      | 4    |
| B121505YT      | 10-7      | 6    | CT50021        | 5-2       | 2    | DZ01006        | 2-6       | 6    | DZ02004        | 2-11      | 4    |
| B121505YT      | 10-8      | 6    | CT50021        | 5-3       | 2    | DZ01006        | 2-6       | 6    | DZ02005        | 2-11      | 5    |
| B12355YT       | 10-7      | 15   | CT50026        | 5-3       | 2    | DZ01008        | 2-6       | 7    | DZ02009        | 2-11      | 6    |
| B12355YT       | 10-8      | 15   | CT50079        | 3-17      | 26   | DZ01009        | 2-6       | 8    | DZ02010        | 2-11      | 1    |
| B12405Y        | 2-40      | 5    | CT50079        | 3-19      | 26   | DZ01010        | 2-6       | 9    | DZ05001        | 2-12      | 1    |
| B12405Y        | 4-7       | 16   | CT50080        | 3-17      | 26   | DZ01010        | 2-6       | 9    | DZ05002        | 2-12      | 2    |
| B12405YT       | 10-7      | 17   | CT50080        | 3-19      | 26   | DZ01012        | 2-6       | 10   | DZ05002        | 2-12      | 2    |
| B12405YT       | 10-8      | 17   | CT50081        | 5-4       | 10   | DZ01012        | 2-6       | 10   | DZ05003        | 2-12      | 3    |
| B12505Y        | 4-9       | 16   | DM10002        | 10-5      | 7    | DZ01014        | 2-6       | 11   | DZ05005        | 2-12      | 4    |
| B1255Y         | 6-9       | 7    | DM10003        | 10-6      | 8    | DZ01016        | 2-6       | 12   | DZ05006        | 2-12      | 1    |
| B12705Y        | 4-7       | 10   | DM10006        | 3-12      | 1    | DZ01017        | 2-7       | 13   | DZ05010        | 2-13      | 8    |
| B12705Y        | 4-9       | 10   | DM10006        | 3-13      | 1    | DZ01024        | 2-7       | 14   | DZ05010        | 2-14      | 4    |
| B161305YT      | 10-7      | 3    | DM10007        | 1-1       | 3    | DZ01025        | 2-7       | 15   | DZ05012        | 2-14      | 1    |
| B161305YT      | 10-8      | 3    | DM10007        | 1-2       | 3    | DZ01026        | 2-7       | 16   | DZ05013        | 2-14      | 2    |
| B16755Y        | 2-40      | 7    | DM10007        | 3-12      | 2    | DZ01026        | 2-8       | 8    | DZ05019        | 2-14      | 3    |
| B16905YT       | 10-7      | 2    | DM10007        | 3-13      | 2    | DZ01027        | 2-7       | 17   | DZ05020        | 2-13      | 1    |
| B16905YT       | 10-8      | 2    | DM10008        | 3-13      | 3    | DZ01028        | 2-7       | 18   | DZ05021        | 2-13      | 2    |
| BFUSE03        | 4-5       | 17   | DM10009        | 3-12      | 4    | DZ01040        | 2-8       | 1    | DZ05022        | 2-13      | 3    |
| BFUSE03        | 4-13      | 9    | DM10009        | 3-13      | 4    | DZ01041        | 2-8       | 2    | DZ05023        | 2-13      | 4    |
| BFUSE03        | 4-14      | 9    | DM10010        | 3-12      | 3    | DZ01042        | 2-8       | 3    | DZ05024        | 2-13      | 5    |
| BFUSE03        | 4-15      | 9    | DM10011        | 3-12      | 6    | DZ01043        | 2-8       | 4    | DZ05027        | 2-13      | 7    |
| BFUSE03        | 4-16      | 9    | DM10011        | 3-13      | 6    | DZ01044        | 2-8       | 5    | DZ05027        | 2-14      | 5    |
| BFUSE07        | 4-6       | 11   | DM10012        | 3-12      | 7    | DZ01050        | 2-9       | 1    | DZ05035        | 2-13      | 6    |
| BFUSE07        | 4-13      | 12   | DM10012        | 3-13      | 7    | DZ01051        | 2-9       | 2    | DZ05040        | 2-15      | 1    |
| BFUSE07        | 4-14      | 12   | DM10013        | 1-1       | 4    | DZ01052        | 2-9       | 3    | DZ05041        | 2-15      | 2    |
| BFUSE07        | 4-15      | 12   | DM10013        | 1-2       | 4    | DZ01053        | 2-9       | 4    | DZ05042        | 2-15      | 3    |
| BFUSE07        | 4-16      | 12   | DM10014        | 3-12      | 9    | DZ01054        | 2-9       | 5    | DZ05043        | 2-15      | 4    |
| BFUSE10        | 4-5       | 19   | DM10014        | 3-13      | 9    | DZ01055        | 2-9       | 6    | DZ06001        | 2-16      | 1    |
| BFUSE10        | 4-13      | 11   | DM10015        | 3-12      | 10   | DZ01063        | 2-10      | 1    | DZ06002        | 2-16      | 2    |
| BFUSE10        | 4-14      | 11   | DM10015        | 3-13      | 10   | DZ01064        | 2-10      | 2    | DZ06003        | 2-16      | 3    |

| art.nr. / part | pag. page | pos. | art.nr. / part | pag. page | pos. | art.nr. / part | pag. page | pos. | art.nr. / part | pag. page | pos. |
|----------------|-----------|------|----------------|-----------|------|----------------|-----------|------|----------------|-----------|------|
| DZ06005        | 2-16      | 4    | DZ09002        | 2-22      | 2    | DZ15028        | 2-5       | 28   | DZ21016        | 6-5       | 6    |
| DZ07002        | 2-17      | 2    | DZ09003        | 2-22      | 3    | DZ15029        | 2-5       | 29   | DZ21037        | 6-5       | 7    |
| DZ07003        | 2-17      | 3    | DZ09004        | 2-22      | 4    | DZ15041        | 2-5       | 30   | DZ21038        | 6-5       | 8    |
| DZ07004        | 2-17      | 4    | DZ09007        | 2-22      | 5    | DZ15042        | 2-5       | 31   | DZ21054        | 6-4       | 11   |
| DZ08001        | 2-18      | 1    | DZ09008        | 2-22      | 6    | DZ15043        | 2-5       | 32   | DZ21055        | 6-4       | 12   |
| DZ08002        | 2-18      | 2    | DZ09009        | 2-22      | 7    | DZ15044        | 2-5       | 33   | DZ22001        | 2-25      | 1    |
| DZ08003        | 2-18      | 3    | DZ10001        | 2-23      | 1    | DZ16001        | 2-3       | 1    | DZ22002        | 2-26      | 2    |
| DZ08004        | 2-18      | 4    | DZ10002        | 2-23      | 1    | DZ16002        | 2-3       | 2    | DZ22003        | 2-26      | 1    |
| DZ08005        | 2-18      | 5    | DZ11003        | 2-24      | 10   | DZ16003        | 2-3       | 3    | DZ22004        | 2-25      | 3    |
| DZ08006        | 2-18      | 6    | DZ11003        | 2-24      | 10   | DZ16004        | 2-3       | 4    | DZ22004        | 2-26      | 4    |
| DZ08007        | 2-18      | 7    | DZ11007        | 2-24      | 1    | DZ17002        | 6-1       | 2    | DZ22005        | 2-25      | 4    |
| DZ08008        | 2-18      | 8    | DZ11007        | 2-24      | 1    | DZ17003        | 6-1       | 3    | DZ22005        | 2-26      | 5    |
| DZ08011        | 2-18      | 11   | DZ11008        | 2-24      | 2    | DZ17004        | 6-1       | 4    | DZ22008        | 2-25      | 5    |
| DZ08012        | 2-18      | 12   | DZ11008        | 2-24      | 2    | DZ17005        | 6-1       | 5    | DZ22009        | 2-25      | 6    |
| DZ08013        | 2-18      | 13   | DZ11009        | 2-24      | 3    | DZ17010        | 6-1       | 6    | DZ22012        | 2-26      | 6    |
| DZ08014        | 2-18      | 14   | DZ11009        | 2-24      | 3    | DZ17011        | 6-1       | 7    | DZ22013        | 2-26      | 7    |
| DZ08015        | 2-18      | 15   | DZ11011        | 2-24      | 4    | DZ17013        | 6-1       | 8    | DZ22025        | 2-26      | 9    |
| DZ08016        | 2-19      | 16   | DZ11012        | 2-24      | 5    | DZ17014        | 6-1       | 9    | DZ22026        | 2-25      | 7    |
| DZ08016        | 2-19      | 16   | DZ11012        | 2-24      | 5    | DZ17015        | 6-1       | 10   | DZ22026        | 2-26      | 8    |
| DZ08017        | 2-19      | 17   | DZ11013        | 2-24      | 6    | DZ17016        | 6-1       | 11   | DZ22027        | 2-25      | 8    |
| DZ08022        | 2-19      | 21   | DZ11016        | 2-24      | 7    | DZ17020        | 6-1       | 12   | DZ22028        | 2-25      | 9    |
| DZ08023        | 2-19      | 22   | DZ11016        | 2-24      | 7    | DZ19002        | 6-2       | 2    | DZ22028        | 2-26      | 10   |
| DZ08024        | 2-19      | 23   | DZ11017        | 2-24      | 8    | DZ19003        | 6-2       | 3    | DZ22029        | 2-25      | 10   |
| DZ08024        | 2-19      | 23   | DZ11018        | 2-24      | 9    | DZ19004        | 6-2       | 4    | DZ22029        | 2-26      | 11   |
| DZ08030        | 2-20      | 1    | DZ15001        | 2-4       | 1    | DZ19005        | 6-2       | 5    | DZ22030        | 2-25      | 2    |
| DZ08030        | 2-21      | 1    | DZ15002        | 2-4       | 2    | DZ20001        | 6-3       | 1    | DZ22030        | 2-26      | 3    |
| DZ08031        | 2-20      | 10   | DZ15003        | 2-4       | 3    | DZ20002        | 6-3       | 2    | DZ27015        | 2-27      | 1    |
| DZ08031        | 2-21      | 12   | DZ15004        | 2-4       | 4    | DZ20003        | 6-3       | 3    | DZ27016        | 2-27      | 1    |
| DZ08032        | 2-20      | 2    | DZ15005        | 2-4       | 5    | DZ20004        | 6-3       | 4    | DZ37001        | 3-10      | 1    |
| DZ08032        | 2-21      | 2    | DZ15006        | 2-4       | 6    | DZ20005        | 6-3       | 5    | DZ37002        | 3-10      | 2    |
| DZ08033        | 2-20      | 3    | DZ15007        | 2-4       | 7    | DZ21001        | 6-4       | 1    | DZ37003        | 3-10      | 3    |
| DZ08033        | 2-21      | 3    | DZ15008        | 2-4       | 8    | DZ21001        | 6-4       | 1    | DZ37004        | 3-10      | 4    |
| DZ08034        | 2-20      | 4    | DZ15009        | 2-4       | 9    | DZ21002        | 6-4       | 2    | DZ37006        | 3-10      | 5    |
| DZ08034        | 2-21      | 4    | DZ15010        | 2-4       | 10   | DZ21002        | 6-4       | 2    | DZ37010        | 3-10      | 9    |
| DZ08035        | 2-20      | 5    | DZ15011        | 2-4       | 11   | DZ21003        | 6-4       | 3    | DZ37012        | 3-10      | 10   |
| DZ08035        | 2-21      | 5    | DZ15012        | 2-4       | 12   | DZ21004        | 6-4       | 4    | DZ37013        | 3-10      | 6    |
| DZ08036        | 2-20      | 6    | DZ15013        | 2-4       | 13   | DZ21005        | 6-4       | 5    | DZ37016        | 3-10      | 7    |
| DZ08036        | 2-21      | 6    | DZ15014        | 2-4       | 14   | DZ21005        | 6-4       | 5    | DZ38001        | 3-11      | 1    |
| DZ08037        | 2-20      | 7    | DZ15015        | 2-4       | 15   | DZ21006        | 6-4       | 6    | DZ38002        | 3-11      | 2    |
| DZ08037        | 2-21      | 7    | DZ15016        | 2-4       | 16   | DZ21007        | 6-4       | 7    | DZ38003        | 3-11      | 3    |
| DZ08038        | 2-18      | 10   | DZ15019        | 2-5       | 19   | DZ21008        | 6-4       | 8    | DZ38004        | 3-11      | 4    |
| DZ08040        | 2-20      | 8    | DZ15020        | 2-5       | 20   | DZ21009        | 6-4       | 9    | DZ38005        | 3-11      | 5    |
| DZ08041        | 2-20      | 9    | DZ15022        | 2-5       | 22   | DZ21010        | 6-4       | 10   | DZ38006        | 3-11      | 6    |
| DZ08051        | 2-21      | 8    | DZ15023        | 2-5       | 23   | DZ21011        | 6-5       | 1    | DZ38011        | 3-11      | 7    |
| DZ08052        | 2-21      | 9    | DZ15024        | 2-5       | 24   | DZ21012        | 6-5       | 2    | DZ38012        | 3-11      | 8    |
| DZ08055        | 2-21      | 10   | DZ15025        | 2-5       | 25   | DZ21013        | 6-5       | 3    | DZ41001        | 2-28      | 1    |
| DZ08056        | 2-21      | 11   | DZ15026        | 2-5       | 26   | DZ21014        | 6-5       | 4    | DZ41001        | 2-29      | 1    |
| DZ09001        | 2-22      | 1    | DZ15027        | 2-5       | 27   | DZ21015        | 6-5       | 5    | DZ41002        | 2-28      | 2    |

| art.nr. / part | pag. page | pos. | art.nr. / part | pag. page | pos. | art.nr. / part | pag. page | pos. | art.nr. / part | pag. page | pos. |
|----------------|-----------|------|----------------|-----------|------|----------------|-----------|------|----------------|-----------|------|
| DZ41002        | 2-29      | 2    | DZ48042        | 4-1       | 18   | DZ63005        | 2-34      | 4    | HT5033         | 3-17      | 25   |
| DZ41003        | 2-28      | 3    | DZ48049        | 4-3       | 2    | DZ63006        | 2-34      | 9    | HT5033         | 3-19      | 25   |
| DZ41004        | 2-29      | 3    | DZ48049-6      | 4-13      | 15   | DZ63006        | 2-35      | 9    | JX200041       | 4-11      | 8    |
| DZ41005        | 2-28      | 4    | DZ48049-6      | 4-14      | 15   | DZ63007        | 2-34      | 2    | JX200041       | 4-12      | 8    |
| DZ41005        | 2-29      | 4    | DZ48049-6      | 4-15      | 15   | DZ63007        | 2-35      | 2    | JXE00130       | 4-11      | 7    |
| DZ41006        | 2-28      | 5    | DZ48049-6      | 4-16      | 15   | DZ63008        | 2-35      | 4    | JXE00130       | 4-12      | 7    |
| DZ41006        | 2-29      | 5    | DZ48050        | 4-2       | 3    | DZ63009        | 2-34      | 7    | JXM00032       | 4-11      | 9    |
| DZ41007        | 2-28      | 6    | DZ48050        | 4-2       | 3    | DZ63009        | 2-35      | 7    | JXM00032       | 4-12      | 9    |
| DZ41007        | 2-29      | 6    | DZ48050-6      | 4-13      | 14   | DZ63030        | 2-34      | 8    | JXM00033       | 4-11      | 12   |
| DZ41008        | 2-28      | 7    | DZ48050-6      | 4-14      | 14   | DZ63030        | 2-35      | 8    | JXM00033       | 4-12      | 12   |
| DZ41008        | 2-29      | 7    | DZ48050-6      | 4-15      | 14   | DZ63031        | 2-34      | 6    | JXP00605       | 4-11      | 10   |
| DZ41009        | 2-28      | 9    | DZ48050-6      | 4-16      | 14   | DZ63031        | 2-35      | 6    | JXP00605       | 4-12      | 10   |
| DZ41012        | 2-28      | 8    | DZ48052        | 4-2       | 4    | DZ63032        | 2-34      | 5    | JXP00606       | 4-11      | 11   |
| DZ41012        | 2-29      | 8    | DZ48053        | 4-2       | 5    | DZ63032        | 2-35      | 5    | JXP00606       | 4-12      | 11   |
| DZ43001        | 2-36      | 1    | DZ48054        | 4-2       | 6    | DZ83001        | 2-30      | 3    | JYN00007       | 4-11      | 1    |
| DZ43002        | 2-36      | 1    | DZ48056        | 4-2       | 7    | DZ83002        | 2-30      | 2    | JYN00007       | 4-12      | 1    |
| DZ43041        | 2-36      | 2    | DZ48058        | 4-2       | 8    | DZ83023        | 2-30      | 7    | JYN00008       | 4-11      | 2    |
| DZ43042        | 2-36      | 3    | DZ48059        | 4-2       | 9    | DZ83026        | 2-30      | 4    | JYN00008       | 4-12      | 2    |
| DZ43046        | 2-36      | 10   | DZ48060        | 4-2       | 10   | DZ83027        | 2-30      | 5    | JYN00010       | 4-11      | 5    |
| DZ43047        | 2-36      | 9    | DZ48061        | 4-2       | 11   | DZ83028        | 2-30      | 6    | JYN00010       | 4-12      | 5    |
| DZ43048        | 2-36      | 11   | DZ48062        | 4-2       | 12   | DZ83030        | 2-30      | 1    | JYN00013       | 4-12      | 3    |
| DZ43050        | 2-36      | 4    | DZ48063        | 4-2       | 13   | DZ83046        | 2-30      | 8    | JYN0009        | 4-11      | 3    |
| DZ43051        | 2-36      | 5    | DZ48072        | 4-3       | 1    | DZ90002        | 2-2       | 1    | JYP0003        | 4-11      | 6    |
| DZ43052        | 2-36      | 6    | DZ48082        | 4-4       | 2    | EC3E3MD        | 4-13      | 19   | JYP0003        | 4-12      | 6    |
| DZ43053        | 2-36      | 7    | DZ48085        | 4-4       | 3    | EC3E3MD        | 4-14      | 19   | JYP0071        | 4-11      | 4    |
| DZ43056        | 2-36      | 8    | DZ48085        | 4-4       | 3    | EC3E3MD        | 4-15      | 19   | JYP0071        | 4-12      | 4    |
| DZ47098        | 4-3       | 3    | DZ48086        | 4-4       | 4    | EC3E3MD        | 4-16      | 19   | KRAAN1/2       | 10-6      | 5    |
| DZ48001        | 4-1       | 1    | DZ48087        | 4-4       | 5    | ECSBC05        | 4-13      | 20   | LMX140         | 2-40      | 11   |
| DZ48003        | 4-1       | 2    | DZ48087        | 4-4       | 5    | ECSBC05        | 4-14      | 20   | LMX210         | 2-40      | 11   |
| DZ48004        | 4-1       | 3    | DZ48089        | 4-4       | 6    | ECSBC05        | 4-15      | 20   | M05BR          | 4-6       | 9    |
| DZ48005        | 4-1       | 4    | DZ48090        | 4-4       | 7    | ECSBC05        | 4-16      | 20   | M05BR          | 10-2      | 10   |
| DZ48006        | 4-1       | 5    | DZ48091        | 4-4       | 8    | ECSBCC         | 4-13      | 21   | M06127Y        | 4-5       | 16   |
| DZ48007        | 4-1       | 6    | DZ48092        | 4-4       | 9    | ECSBCC         | 4-14      | 21   | M06BR          | 4-6       | 3    |
| DZ48010        | 4-2       | 1    | DZ48141        | 4-4       | 10   | ECSBCC         | 4-15      | 21   | M06BR          | 10-2      | 11   |
| DZ48016        | 4-2       | 2    | DZ48144        | 4-4       | 11   | ECSBCC         | 4-16      | 21   | M06BY          | 3-14      | 9    |
| DZ48020        | 4-1       | 7    | DZ48145        | 4-2       | 14   | EXPT1,5U       | 3-1       | 19   | M06BY          | 3-15      | 9    |
| DZ48021        | 4-4       | 1    | DZ48145        | 4-2       | 14   | FFS1300        | 6-10      | 6    | M06Y           | 2-46      | 8    |
| DZ48021        | 4-4       | 1    | DZ52001        | 2-31      | 1    | GFEC010PR      | 6-6       | 18   | M06Y           | 3-16      | 15   |
| DZ48022        | 4-1       | 8    | DZ52002        | 2-31      | 2    | GFEC010PR      | 6-8       | 21   | M06Y           | 3-18      | 15   |
| DZ48025        | 4-1       | 9    | DZ52003        | 2-31      | 3    | GFEC010PY      | 2-38      | 14   | M08Y           | 2-32      | 12   |
| DZ48029        | 4-1       | 10   | DZ52004        | 2-31      | 4    | GFEC010PY      | 2-39      | 14   | M08Y           | 3-16      | 9    |
| DZ48035        | 4-1       | 11   | DZ52007        | 2-31      | 5    | GFEC012PR      | 6-6       | 14   | M08Y           | 3-18      | 9    |
| DZ48036        | 4-1       | 12   | DZ52008        | 2-31      | 6    | GFEC012PR      | 6-8       | 17   | M10Y           | 4-7       | 4    |
| DZ48037        | 4-1       | 13   | DZ52009        | 2-31      | 7    | HCHD079        | 3-4       | 12   | M10Y           | 4-9       | 4    |
| DZ48038        | 4-1       | 14   | DZ63002        | 2-34      | 3    | HCHD079        | 3-5       | 12   | M12RIPPB       | 5-1       | 7    |
| DZ48039        | 4-1       | 15   | DZ63002        | 2-35      | 3    | HCHD079        | 3-5       | 15   | M12RIPPB       | 5-2       | 7    |
| DZ48040        | 4-1       | 16   | DZ63003        | 2-34      | 1    | HCS20          | 10-5      | 6    | M12RIPPB       | 5-2       | 7    |
| DZ48041        | 4-1       | 17   | DZ63003        | 2-35      | 1    | HCS20          | 10-6      | 4    | M12RIPPB       | 5-3       | 7    |

| art.nr. / part | pag. page | pos. | art.nr. / part | pag. page | pos. | art.nr. / part | pag. page | pos. | art.nr. / part | pag. page | pos. |
|----------------|-----------|------|----------------|-----------|------|----------------|-----------|------|----------------|-----------|------|
| M12Y           | 4-7       | 14   | R082Y          | 3-8       | 16   | R125Y          | 4-7       | 13   | STM1808        | 10-2      | 12   |
| M12Y           | 4-8       | 18   | R085Y          | 2-38      | 3    | R125Y          | 4-8       | 17   | STM2006        | 2-32      | 2    |
| M12Y           | 4-9       | 14   | R085Y          | 2-39      | 3    | R125Y          | 4-9       | 13   | STM2006        | 2-33      | 3    |
| M12Y           | 4-10      | 18   | R085Y          | 2-42      | 6    | R125Y          | 4-10      | 17   | STM2019        | 2-32      | 3    |
| M12Y           | 6-9       | 10   | R085Y          | 2-43      | 3    | R125Y          | 6-9       | 9    | STM2019        | 2-33      | 4    |
| M12Y           | 10-7      | 8    | R085Y          | 2-43      | 5    | R125Y          | 10-7      | 7    | STM2019        | 2-38      | 16   |
| M12Y           | 10-8      | 8    | R085Y          | 2-43      | 7    | R125Y          | 10-8      | 7    | STM2019        | 2-39      | 16   |
| M14Y           | 10-7      | 11   | R085Y          | 2-43      | 12   | R142010K       | 2-38      | 11   | STM3006        | 3-20      | 1    |
| M14Y           | 10-8      | 11   | R085Y          | 2-43      | 16   | R142010K       | 2-39      | 11   | STM3006        | 3-21      | 1    |
| M20Y           | 2-40      | 9    | R085Y          | 2-44      | 19   | R142010K       | 2-42      | 3    | STM3066        | 2-41      | 9    |
| MPA34C-ANBS2   | 4-11      | 13   | R085Y          | 2-45      | 3    | R142010K       | 6-7       | 3    | STM3071        | 2-32      | 4    |
|                |           |      | R085Y          | 2-45      | 5    | R142010K       | 6-7       | 10   | STM3071        | 2-33      | 5    |
| MPA34C-ANBS2   | 4-13      | 4    | R085Y          | 2-45      | 7    | R142010K       | 6-8       | 18   | STM3258        | 4-7       | 11   |
|                |           |      | R085Y          | 2-45      | 11   | R142010RK      | 6-6       | 2    | STM3258        | 4-9       | 11   |
| MPA34C-ANBS2   | 4-14      | 4    | R085Y          | 2-47      | 5    | R142010RK      | 6-6       | 15   | STM3258        | 6-9       | 8    |
|                |           |      | R085Y          | 3-1       | 9    | R142020K       | 2-41      | 5    | STM3518        | 2-38      | 13   |
| MPA34C-ANBS4   | 4-12      | 13   | R085Y          | 3-4       | 3    | R165Y          | 2-40      | 8    | STM3518        | 2-39      | 13   |
|                |           |      | R085Y          | 3-5       | 3    | R165Y          | 10-7      | 4    | STM3518        | 2-41      | 4    |
| MPA34C-ANBS4   | 4-15      | 4    | R085Y          | 3-7       | 19   | R165Y          | 10-8      | 4    | STM3518        | 2-42      | 2    |
|                |           |      | R085Y          | 3-9       | 19   | R205Y          | 2-40      | 10   | STM3518        | 6-6       | 3    |
| MPA34C-ANBS4   | 4-16      | 4    | R085Y          | 3-12      | 16   | SLKL25         | 3-14      | 15   | STM3518        | 6-6       | 16   |
|                |           |      | R085Y          | 3-13      | 16   | SLKL25         | 3-15      | 13   | STM3518        | 6-7       | 2    |
| MPKA06         | 4-13      | 13   | R085Y          | 3-16      | 8    | SLKL25         | 3-16      | 1    | STM3518        | 6-7       | 9    |
| MPKA06         | 4-14      | 13   | R085Y          | 3-17      | 17   | SLKL25         | 3-18      | 1    | STM3518        | 6-8       | 20   |
| MPKA06         | 4-15      | 13   | R085Y          | 3-18      | 8    | SLKL25         | 10-3      | 1    | STM3695        | 2-38      | 12   |
| MPKA06         | 4-16      | 13   | R085Y          | 3-19      | 17   | SLKL25         | 10-4      | 1    | STM3695        | 2-39      | 12   |
| MWHOSE38       | 10-3      | 2    | R085Y          | 4-5       | 11   | SLKL60         | 3-16      | 5    | STM3695        | 6-6       | 17   |
| MWHOSE38       | 10-4      | 2    | R085Y          | 4-7       | 7    | SLKL60         | 3-18      | 5    | STM3695        | 6-8       | 19   |
| PC-P12NB       | 3-16      | 6    | R085Y          | 4-8       | 21   | SLKL90         | 2-47      | 3    | STM3749        | 2-42      | 7    |
| PC-P12NB       | 3-18      | 6    | R085Y          | 4-9       | 7    | SLP1/219       | 10-5      | 5    | STM3749        | 2-45      | 10   |
| R051Y          | 2-38      | 6    | R085Y          | 4-10      | 21   | SLP1/219       | 10-6      | 6    | STM3749        | 3-1       | 6    |
| R051Y          | 2-39      | 6    | R085Y          | 6-9       | 3    | SLPL1410       | 6-7       | 11   | STM3749        | 6-9       | 4    |
| R061Y          | 6-6       | 7    | R085Y          | 10-9      | 12   | STM1019        | 5-4       | 7    | STM4003        | 5-1       | 6    |
| R061Y          | 6-7       | 6    | R101Y          | 3-14      | 6    | STM1024        | 2-44      | 26   | STM4003        | 5-2       | 6    |
| R062Y          | 2-46      | 5    | R101Y          | 3-15      | 6    | STM1024        | 2-45      | 18   | STM4003        | 5-2       | 6    |
| R062Y          | 3-14      | 8    | R105Y          | 3-1       | 4    | STM1025        | 2-44      | 25   | STM4003        | 5-3       | 6    |
| R062Y          | 3-15      | 8    | R105Y          | 3-1       | 11   | STM1025        | 2-45      | 17   | STM4014        | 5-1       | 4    |
| R065Y          | 2-44      | 22   | R105Y          | 3-2       | 6    | STM1515        | 3-2       | 7    | STM4014        | 5-1       | 4    |
| R065Y          | 2-45      | 14   | R105Y          | 3-3       | 15   | STM1515        | 3-3       | 5    | STM4014        | 5-1       | 11   |
| R065Y          | 2-46      | 3    | R105Y          | 3-7       | 20   | STM1703        | 5-4       | 4    | STM4014        | 5-2       | 4    |
| R065Y          | 2-46      | 7    | R105Y          | 3-9       | 21   | STM1703        | 10-2      | 5    | STM4014        | 5-2       | 4    |
| R065Y          | 4-5       | 4    | R105Y          | 3-14      | 17   | STM1704        | 5-4       | 5    | STM4014        | 5-3       | 4    |
| R081Y          | 2-32      | 11   | R105Y          | 3-15      | 15   | STM1705        | 5-4       | 6    | STM4014        | 5-3       | 4    |
| R081Y          | 3-4       | 7    | R105Y          | 4-7       | 3    | STM1806        | 5-4       | 1    | STM4014        | 5-4       | 8    |
| R081Y          | 3-5       | 7    | R105Y          | 4-9       | 3    | STM1806        | 10-2      | 6    | STM4056        | 5-3       | 9    |
| R081Y          | 3-7       | 18   | R121615K       | 2-41      | 3    | STM1807        | 5-4       | 2    | STM4081        | 2-32      | 5    |
| R081Y          | 3-8       | 15   | R121R          | 10-11     | 5    | STM1807        | 10-2      | 7    | STM4081        | 2-33      | 6    |
| R082Y          | 2-43      | 15   | R125Y          | 2-40      | 6    | STM1808        | 5-4       | 3    | STM4995        | 3-16      | 3    |
| R082Y          | 2-44      | 18   |                |           |      |                |           |      |                |           |      |

| art.nr. / part | pag. page | pos. | art.nr. / part | pag. page | pos. | art.nr. / part | pag. page | pos. | art.nr. / part | pag. page | pos. |
|----------------|-----------|------|----------------|-----------|------|----------------|-----------|------|----------------|-----------|------|
| STM6185        | 3-20      | 8    | STM8272        | 5-3       | 12   | STM9003        | 5-1       | 3    | STM9765        | 5-4       | 9    |
| STM6185        | 3-21      | 8    | STM8295        | 4-6       | 7    | STM9003        | 5-1       | 1    | STM9781        | 6-7       | 12   |
| STM6511        | 3-1       | 16   | STM8295        | 4-15      | 7    | STM9003        | 5-1       | 3    | STM9793        | 2-40      | 12   |
| STM6557        | 10-5      | 2    | STM8295        | 4-15      | 8    | STM9003        | 5-2       | 1    | STM9794        | 2-40      | 13   |
| STM6557        | 10-6      | 2    | STM8295        | 4-16      | 7    | STM9003        | 5-2       | 3    | STM9871        | 2-43      | 2    |
| stm6617        | 3-11      | 9    | STM8295        | 4-16      | 8    | STM9003        | 5-2       | 1    | STM9871        | 2-45      | 2    |
| STM6617        | 6-6       | 11   | STM8305        | 3-2       | 10   | STM9003        | 5-2       | 3    | STM9974        | 3-12      | 8    |
| STM6617        | 6-7       | 14   | STM8305        | 3-3       | 8    | STM9003        | 5-3       | 1    | STM9974        | 3-13      | 8    |
| STM7056        | 3-2       | 8    | STM8305        | 3-6       | 8    | STM9003        | 5-3       | 3    | VD20037        | 10-1      | 4    |
| STM7056        | 3-3       | 6    | STM8305        | 3-8       | 8    | STM9003        | 5-3       | 3    | VD20642        | 10-1      | 12   |
| STM7056        | 3-20      | 5    | STM8307        | 3-2       | 11   | STM9043        | 4-13      | 5    | VD20643        | 10-1      | 1    |
| STM7056        | 3-21      | 5    | STM8307        | 3-3       | 9    | STM9043        | 4-13      | 6    | VD20644        | 10-1      | 2    |
| STM7077        | 5-3       | 8    | STM8307        | 3-6       | 9    | STM9043        | 4-14      | 5    | VD20645        | 10-1      | 3    |
| STM7285        | 2-32      | 16   | STM8307        | 3-8       | 9    | STM9043        | 4-14      | 6    | VD20646        | 10-1      | 6    |
| STM7285        | 2-33      | 16   | STM8308        | 3-2       | 12   | STM9050        | 4-6       | 7    | VD20647        | 10-1      | 8    |
| STM8117        | 2-40      | 1    | STM8308        | 3-3       | 10   | STM9050        | 4-13      | 7    | VD20648        | 10-1      | 7    |
| STM8118        | 2-40      | 2    | STM8308        | 3-6       | 10   | STM9050        | 4-13      | 8    | VD20649        | 10-1      | 9    |
| STM8119        | 2-40      | 3    | STM8308        | 3-8       | 10   | STM9050        | 4-14      | 7    | VD20650        | 10-1      | 5    |
| STM8120        | 2-40      | 4    | STM8309        | 3-2       | 13   | STM9050        | 4-14      | 8    | VD20651        | 10-1      | 10   |
| STM8122        | 3-1       | 2    | STM8309        | 3-3       | 11   | STM9052        | 4-5       | 6    | VD20652        | 10-1      | 11   |
| STM8168        | 2-38      | 17   | STM8309        | 3-6       | 11   | STM9052        | 4-6       | 6    | VD20706        | 10-1      | 15   |
| STM8168        | 2-39      | 17   | STM8309        | 3-8       | 11   | STM9196        | 2-32      | 13   | VD20723        | 1-1       | 6    |
| STM8169        | 2-32      | 6    | STM8314        | 3-2       | 14   | STM9196        | 2-33      | 13   | VD20723        | 1-2       | 6    |
| STM8169        | 2-33      | 7    | STM8314        | 3-3       | 12   | STM9262        | 3-2       | 16   | VD20723        | 3-10      | 8    |
| STM8179        | 2-32      | 14   | STM8315        | 3-2       | 15   | STM9262        | 3-3       | 14   | VD30017        | 3-12      | 13   |
| STM8179        | 2-33      | 14   | STM8315        | 3-3       | 13   | STM9262        | 3-20      | 4    | VD30017        | 3-13      | 13   |
| STM8211        | 3-1       | 14   | STM8315        | 3-6       | 13   | STM9262        | 3-21      | 4    | VP000114       | 10-1      | 14   |
| STM8213        | 6-6       | 10   | STM8315        | 3-8       | 13   | STM9469        | 3-12      | 5    | VP000116       | 2-1       | 1    |
| STM8213        | 6-7       | 13   | STM8315        | 10-5      | 4    | STM9469        | 3-13      | 5    | VP000117       | 6-2       | 1    |
| STM8214        | 6-6       | 12   | STM8315        | 10-6      | 7    | STM9504        | 3-1       | 17   | VP000118       | 6-1       | 1    |
| STM8214        | 6-7       | 16   | STM8344        | 2-33      | 8    | STM9505        | 3-1       | 18   | VP000119       | 2-17      | 1    |
| STM8215        | 6-6       | 13   | STM8390        | 2-33      | 11   | STM9568        | 1-1       | 8    | VP000120       | 2-18      | 9    |
| STM8215        | 6-7       | 15   | STM8652        | 4-8       | 23   | STM9569        | 1-2       | 8    | VP000121       | 2-19      | 18   |
| STM8216        | 5-3       | 1    | STM8652        | 4-13      | 1    | STM9619        | 2-32      | 7    | VP000122       | 2-19      | 19   |
| STM8225        | 4-15      | 5    | STM8653        | 4-14      | 1    | STM9646        | 3-11      | 10   | VP000123       | 2-19      | 20   |
| STM8225        | 4-15      | 6    | STM8654        | 4-10      | 23   | STM9655        | 3-6       | 14   | VP000124       | 2-19      | 18   |
| STM8225        | 4-16      | 5    | STM8654        | 4-15      | 1    | STM9655        | 3-8       | 14   | VP000125       | 2-19      | 19   |
| STM8225        | 4-16      | 6    | STM8655        | 4-16      | 1    | STM9675        | 3-20      | 7    | VP000126       | 2-19      | 20   |
| STM8228        | 4-5       | 5    | STM8713        | 5-1       | 2    | STM9675        | 3-21      | 7    |                |           |      |
| STM8231        | 3-12      | 12   | STM8714        | 5-4       | 11   | STM9680        | 2-33      | 10   |                |           |      |
| STM8231        | 3-13      | 12   | STM8764        | 2-33      | 12   | STM9741        | 10-5      | 3    |                |           |      |
| STM8263        | 10-5      | 1    | STM8777        | 5-3       | 12   | STM9741        | 10-6      | 3    |                |           |      |
| STM8263        | 10-6      | 1    | STM8792        | 3-1       | 15   | STM9742        | 5-4       | 12   |                |           |      |
| STM8272        | 5-1       | 12   | STM8832        | 6-6       | 6    | STM9744        | 2-32      | 10   |                |           |      |
| STM8272        | 5-1       | 12   | STM8832        | 6-7       | 5    | STM9750        | 5-4       | 13   |                |           |      |
| STM8272        | 5-2       | 12   | STM8921        | 3-13      | 14   | STM9758        | 4-8       | 24   |                |           |      |
| STM8272        | 5-2       | 12   | STM9003        | 5-1       | 1    | STM9761        | 4-10      | 24   |                |           |      |

**VETUS** b.v.

FOKKERSTRAAT 571 - 3125 BD SCHIEDAM - HOLLAND  
TEL.: +31 (0)88 4884700 - sales@vetus.com - www.vetus.com

VD4.120 VD4.140 VD6.170 VD6.210