

Parts catalogue

M-Line

M4.15
M4.35

M4.17
M4.45



Deze onderdelencatalogus bevat waardevolle informatie voor onderhoud en service aan uw motor.

Wij adviseren U, bij vervanging alleen originele **VETUS** onderdelen toe te passen.

Het typeplaatje bevat informatie over de typeaanduiding, het motornummer en de serie.

Gebruik deze informatie bij bestelling van onderdelen.

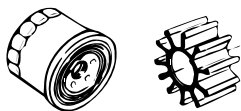
This parts'catalogue contains valuable information for maintenance and service over your engine.

For replacement, we recommend that you use only genuine **VETUS** parts.

The identification tag contains information about model, serial number and series.

Use this information when ordering parts.

1



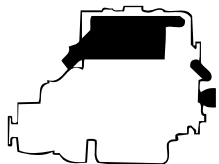
Reserve kits
Spare parts kit

2



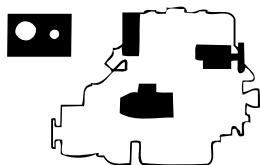
Motor
Engine

3



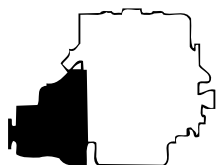
Koeling
Cooling

4



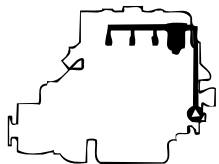
Electra, bediening en instrumenten
Electrics, controls, instruments

5



Aandrijving
Transmission

6



Brandstofsysteem
Fuel system

7

Generator
Generator

8

Gereedschappen
Tools

9

10

Accessoires
Optionals

| Qty | part | benaming | description |
|-----|---------|--------------------------|--------------------------|
| 2 | STM6101 | Motorkraan 55-58 | Engine support PS-58 |
| 4 | STM702 | Bout M16x20-50 | Bolt M16x20-50 |
| 4 | STM3022 | Ring | Washer |
| 2 | STM2101 | Wiel | Wheel |
| 2 | STM1023 | Chassis KOTELINISIV | Engine Mount KOTELINISIV |
| 2 | STM7584 | Motorkraan 58-65 | Engine support SR-PS |
| 4 | STM7595 | Bout M12x17-50 | Bolt M12x17-50 |
| 4 | STM6055 | Ongelofstevige steek M12 | Wave spring washer M12 |

1

De volledige stuklijst staat op deze pagina.

The full parts list is shown on this page.

| Qty | part | benaming | description | |
|-----|---------|---------------------------|-----------------------|-------------|
| 1 | STM150 | Zwaaierpompe | Swallow pump | |
| 1 | STM127 | O-ring | O-ring | |
| 4 | STM126 | Wiel | Wheel | |
| 4 | STM119 | Ring | Washer | |
| 4 | STM205 | Muur M8 | Nut M8 | |
| 1 | STM435 | Brandstofpomp M2.04 | Fuel pump M2.04 | |
| 1 | STM1427 | Brandstofpomp M2.04 | Fuel pump M2.04 | |
| 1 | STM1006 | Brandstofpomp M2.02/M2.05 | Fuel pump M2.02/M2.05 | |
| 1 | STM1127 | Brandstofpomp | Fuel pump | |
| 2 | STM100 | Muur M8 | Nut M8 | |
| 1 | STM118 | Pakking | Gasket | |
| 10 | 2 | STM130 | Tapijnd M6x14 | Screw M6x14 |
| 1 | STM1130 | Adapter | Adapter | |
| 11 | STM128 | Bout M6x5 | Bolt M6x5 | |
| 11 | STM125 | Bout M6x20 | Bolt M6x20 | |
| 1 | STM114 | Pakking | Gasket | |

1 2

De stuklijst is verdeeld over 2 pagina's. Op deze pagina staat het eerste deel.

The parts list is spread over 2 pages. On this page the **first** part is shown.

| Qty | part | benaming | description | |
|-----|---------|------------------------------|------------------------------|------------|
| 1 | STM145 | Overloopstuk | Overflow housing | |
| 1 | STM146 | Tandwiel buiten | Gear outer | |
| 1 | STM148 | Tandwiel binnen | Gear inner | |
| 16 | 2 | STM206 | Bout M6x10 | Bolt M6x10 |
| 1 | STM1229 | Waterpomp bromwater | Water pump coolant | |
| 1 | STM202 | Pakking | Gasket | |
| 21 | 2 | STM121 | Bout M6x18 | Bolt M6x18 |
| 22 | 1 | STM125 | Bout M6x10 | Bolt M6x10 |
| 23 | 1 | STM123 | Bout M6x5 | Bolt M6x5 |
| 24 | 2 | STM123 | Bout M6x5 | Bolt M6x5 |
| 1 | STM243 | V-voet 1-102 mm, 40 A dynamo | V-foot 1-102 mm, 40 A dynamo | |
| 1 | STM249 | V-voet 1-102 mm, 75 A dynamo | V-foot 1-102 mm, 75 A dynamo | |
| 1 | STM227 | Pulley waterpomp | Pulley water pump | |
| 4 | STM125 | Bout M6x12 | Bolt M6x12 | |

1 2

De stuklijst is verdeeld over 2 pagina's. Op deze pagina staat het tweede deel.

The parts list is spread over 2 pages. On this page the **second** part is shown.

| Qty | part | benaming | description | |
|-----|----------|-----------------------|----------------------|-----------------|
| 1 | VFA0208 | Turbocompressor VFA | Turbocompressor VFA | |
| 4 | VFA02128 | Muur M8 | Nut M8 | |
| 4 | VFA02179 | Draadend M8 | Screw M8 | |
| 1 | VFA0282 | Pakking turbo | Gasket turbo | |
| 1 | DMV0356 | Slang | Silicon hose | |
| 6 | VFA01194 | Slangkleem 40x44 | Clamp 40x44 | |
| 7 | VFA0171 | Sluit | Sealant | |
| 8 | VFA01284 | Schroefspanning turbo | Actuator | |
| 8 | VFA01285 | Bevestiging M8 | Lock nut M8 | |
| 10 | 2 | RC28 | Ring M8 | |
| 11 | 2 | VFA01287 | Bout M6x14 | Bolt M6x14 |
| 12 | 2 | RC28 | Ring M8 | |
| 1 | VFA01288 | Slang 3x7 L=0,20 m | Hose 3x7 L=0,20 m | |
| 14 | 2 | VFA01295 | Slangkleem 25-9 | Hose clamp 25-9 |
| 15 | 1 | VFA0172 | Pfote M6x6 | Foot shield |
| 16 | 3 | VFA01773 | Bout M6x20 | Bolt M6x20 |
| 17 | 2 | RC28 | Ring M8 | |
| 18 | 3 | DMV0357 | Ring M8 | |
| 1 | VFA01241 | Bul | Bush | |
| 1 | DMV0355 | Sluitafsluiting VFA | Exhaust manifold VFA | |

1

● Verkrijgbaar als reserveonderdelen.

Andere onderdeelnummers zijn nog niet geactiveerd als reserveonderdeel. Deze zijn mogelijk beschikbaar op aanvraag.

● Available as spare parts.

Remaining part numbers have not been set up as spare part. Potentially available on request.

Inhoud Contents

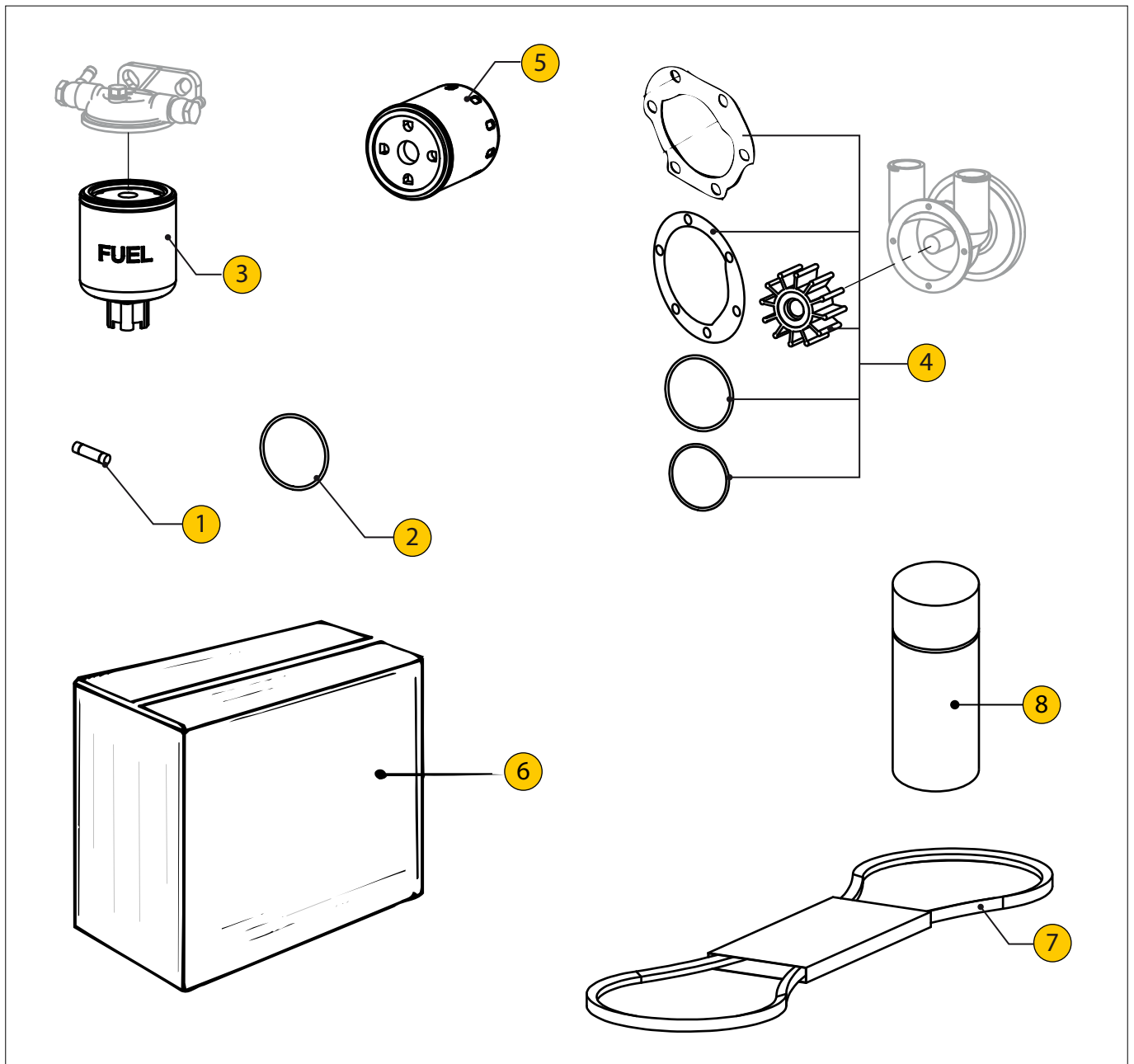
| pag. page | type | | omschrijving | description |
|--------------|----------------|----------------|----------------------------|-------------------------------|
| 1-1 | M4.15 | M4.17 | Serviceonderdelen | Service parts |
| 1-2 | M4.35 | M4.45 | Serviceonderdelen | Service parts |
| 2-1 | M4.15 M4.35 | M4.17 M4.45 | Motorblok | Engine block |
| 2-2 | M4.15 M4.35 | M4.17 M4.45 | Motorblok | Engine block |
| 2-3 | M4.15 M4.35 | M4.17 M4.45 | Motorblok | Engine block |
| 2-4 | M4.15 M4.35 | M4.17 M4.45 | Krukas + zuiger | Crankshaft + piston |
| 2-5 | M4.15 M4.35 | M4.17 M4.45 | Krukas + zuiger | Crankshaft + piston |
| 2-6 | M4.15 M4.35 | M4.17 M4.45 | Kleppen | Valves |
| 2-7 | M4.15 M4.35 | M4.17 M4.45 | Kleppen | Valves |
| 2-8 | M4.15 M4.35 | M4.17 M4.45 | Cilinderkop | Cylinder head |
| 2-9 | M4.15 M4.35 | M4.17 M4.45 | Kleppendecksel + nokkenas | Rocker cover + camshaft |
| 2-10 | M4.15 M4.35 | M4.17 M4.45 | PTO | PTO |
| 2-11 | M4.15 M4.35 | M4.17 M4.45 | PTO | PTO |
| 2-12 | M4.15 M4.35 | M4.17 M4.45 | Carterpan + oliepomp | Oil pan + oil pump |
| 2-13 | M4.15 | M4.17 | Oliepeilstok | Oil dipstick |
| 2-14 | M4.35 | M4.45 | Oliepeilstok | Oil dipstick |
| 2-15 | M4.15 | M4.17 | Luchtinlaat | Airintake |
| 2-16 | M4.15 M4.35 | M4.17 M4.45 | Revisie pakkingset | Overhaul gasket kit |
| 2-17 | M4.15 M4.35 | M4.17 M4.45 | Revisie pakkingset | Overhaul gasket kit |
| 2-18 | M4.15 | M4.17 | Luchtinlaatkast 06-2009 <- | Air intake housing 06-2009 <- |
| 2-19 | M4.15 | M4.17 | Luchtinlaatkast 06-2009 -> | Air intake housing 06-2009 -> |
| 2-20 | M4.35 | M4.45 | Luchtfilter | Air cleaner |
| 2-21 | M4.15 M4.35 | M4.17 M4.45 | Motorsteunen | Engine supports |
| 2-22 | M4.35 | M4.45 | Afschermkap 2016-04 <- | Protection cover 2016-04 <- |
| 2-23 | M4.35 | M4.45 | Afschermkap 2016-04 -> | Protection cover 2016-04 -> |
| 2-24 | M4.35 | M4.45 | Olieaftappomp | Oil drain pump |

| pag. page | type | | omschrijving | description |
|-----------|----------------|----------------|---|--|
| 3-1 | M4.15 M4.35 | M4.17 M4.45 | Circulatiepomp | Circulation pump |
| 3-2 | M4.15 | M4.17 | Warmtewisselaar unit | Heat exchanger unit |
| 3-3 | M4.15 | M4.17 | Warmtewisselaar unit | Heat exchanger unit |
| 3-4 | M4.15 | M4.17 | Kielkoelspruitstuk | Keel cooler manifold |
| 3-5 | M4.15 | M4.17 | Kielkoelspruitstuk | Keel cooler manifold |
| 3-6 | M4.15 | M4.17 | Aansluiting circulatiepomp, kielkoeling 06-2009 <- | Connection of circulation pump, keelcooling 06-2009 <- |
| 3-7 | M4.15 | M4.17 | Aansluiting circulatiepomp, kielkoeling ->06-2009 | Connection of circulation pump, keelcooling ->06-2009 |
| 3-8 | M4.35 | M4.45 | Aansluiting kielkoeling | Connection keel cooling |
| 3-9 | M4.15 M4.35 | M4.17 M4.45 | Thermostaathuis | Thermostat housing |
| 3-10 | M4.15 | M4.17 | Slangen, binnenwater 06-2009 <- | Hoses, coolant 06-2009<- |
| 3-11 | M4.15 | M4.17 | Slangen, binnenwater 06-2009 -> | Hoses, coolant 06-2009 -> |
| 3-12 | M4.35 | M4.45 | Bovenkap interkoeling | Upper cover intercooling |
| 3-13 | M4.35 | M4.45 | Bovenkap kielkoeling | Upper cover keel cooling |
| 3-14 | M4.15 | M4.17 | Slangen, buitenwater | Hoses, raw water |
| 3-15 | M4.15 | M4.17 | Zeewaterpomp | Seawater pump |
| 3-16 | M4.35 | M4.45 | Zeewaterpomp | Seawater pump |
| 3-17 | M4.35 | M4.45 | Buitenwater pomp, interkoeling/hydraulische keerkoppeling | Sea water pump, intercooling/hydraulic gearbox |
| 3-18 | M4.35 | M4.45 | Buitenwater pomp, interkoeling/hydraulische keerkoppeling | Sea water pump, intercooling/hydraulic gearbox |
| 3-19 | M4.35 | M4.45 | Buitenwater pomp, interkoeling/mechanische keerkoppeling | Sea water pump, intercooling/mechanical gearbox |
| 3-20 | | | | |
| 4-1 | M4.15 | M4.17 | Startmotor + dynamo | Starter motor + alternator |
| 4-2 | M4.15 | M4.17 | Startmotor + dynamo | Starter motor + alternator |
| 4-3 | M4.15 M4.35 | M4.17 M4.45 | Dynamo 110 A - 12 V 1P Standaard | Alternator 110 A - 12 V Earth return Standard |
| 4-4 | M4.15 | M4.17 | Dynamo 12V-110A 1p 2e dynamo, kielkoeling 06-2009<- | Alternator 12V-110A 1p 2nd alternator, keelcooling 06-2009<- |
| 4-5 | M4.15 | M4.17 | Dynamo 12V-110A 1p 2e dynamo, kielkoeling 06-2009<- | Alternator 12V-110A 1p 2nd alternator, keelcooling 06-2009<- |
| 4-6 | M4.15 | M4.17 | Tweede dynamo 12 V - 75 A, 1p., Interkoeling | Extension alternator 12 V - 75 A, 1p., Intercooling |
| 4-7 | M4.15 | M4.17 | Tweede dynamo 12 V - 75 A, 1p., Interkoeling | Extension alternator 12 V - 75 A, 1p., Intercooling |
| 4-8 | M4.35 | M4.45 | Tweede dynamo 12 V - 75 A, 1p. | Extension alternator 12 V - 75 A, 1p. |

| pag. page | type | | omschrijving | description |
|-----------|----------------|----------------|--|---|
| 4-9 | M4.35 | M4.45 | Tweede dynamo 12 V - 75 A, 1p. | Extension alternator 12 V - 75 A, 1p. |
| 4-10 | M4.15 | M4.17 | Tweede dynamo 12 V - 110 A, 1p., kielkoeling | Extension alternator 12 V - 110 A, 1p., keel-cooling |
| 4-11 | M4.15 | M4.17 | Tweede dynamo 12 V - 110 A, 1p., kielkoeling | Extension alternator 12 V - 110 A, 1p., keel-cooling |
| 4-12 | M4.35 | M4.45 | Tweede dynamo 12 V - 110 A, 1p. | Extension alternator 12 V - 110 A, 1p. |
| 4-13 | M4.35 | M4.45 | Tweede dynamo 12 V - 110 A, 1p. | Extension alternator 12 V - 110 A, 1p. |
| 4-14 | M4.15 M4.35 | M4.17 M4.45 | Zenders + schakelaars | Sender units + switches |
| 4-15 | M4.15 | M4.17 | Bedradingskast, 2001 <- | Terminal box, 2001 <- |
| 4-16 | M4.15 | M4.17 | Bedradingskast, 2001 -> | Terminal box, 2001 -> |
| 4-17 | M4.35 | M4.45 | Motorbedrading | Engine wiring |
| 4-18 | M4.15 | M4.17 | Instrumenten paneel '20' standaard 2001 <- | Instrument panel '20' standard 2001 <- |
| 4-19 | M4.15 | M4.17 | Instrumenten paneel '22' standaard 2001<- | Instrument panel '22' standard 2001<- |
| 4-20 | M4.15 | M4.17 | Instrumenten paneel '22' standaard 2001 -> | Instrument panel '22' standard 2001 -> |
| 4-21 | M4.15 M4.35 | M4.17 M4.45 | Instr. paneel model '22' voor motor met 2e dynamo, kielkoeling | Instr. panel model '22' for engine with 2nd alternator, keelcooling |
| 4-22 | M4.15 M4.35 | M4.17 M4.45 | Instr. paneel model '34' | Instr. panel model '34' |
| 4-23 | M4.15 M4.35 | M4.17 M4.45 | Instr. paneel model '34' | Instr. panel model '34' |
| 4-24 | M4.15 M4.35 | M4.17 M4.45 | Instr. paneel model '34' | Instr. panel model '34' |
| 4-25 | M4.15 M4.35 | M4.17 M4.45 | Instr. paneel model '34' voor motor met 2e dynamo, kielkoeling | Instr. panel model '34' for engine with 2nd alternator, keelcooling |
| 4-26 | M4.15 | M4.17 | Bediening, GAS | Controls, THROTTLE |
| 4-27 | M4.35 | M4.45 | Bediening, GAS | Controls, THROTTLE |
| 4-28 | M4.15 M4.35 | M4.17 M4.45 | Bediening, KEERKOPPELING | Controls, GEARBOX |
| 5-1 | M4.15 M4.35 | | Vlieg wielhuis TMC40 | Flywheel housing TMC40 |
| 5-2 | M4.15 M4.35 | | Vlieg wielhuis TMC60 | Flywheel housing TMC60 |
| 5-3 | M4.15 M4.35 | | Vlieg wielhuis TM345H (A) | Flywheel housing TM345H (A) |
| 5-4 | M4.15 M4.35 | | Vlieg wielhuis ZF10M | Flywheel housing ZF10M |
| 5-5 | M4.15 M4.35 | | Vlieg wielhuis ZF12M | Flywheel housing ZF12M |
| 5-6 | M4.15 M4.35 | | Vlieg wielhuis ZF15MA | Flywheel housing ZF15MA |
| 5-7 | M4.15 M4.35 | | Vlieg wielhuis ZF12 | Flywheel housing ZF12 |
| 5-8 | M4.15 M4.35 | | Vlieg wielhuis ZF25 (A) | Flywheel housing ZF25 (A) |

| pag. page | type | | omschrijving | description |
|-----------|----------------|----------------|----------------------------|-----------------------------|
| 5-9 | M4.15 M4.35 | | Vlieg wielhuis PRM150 | Flywheel housing PRM150 |
| 5-10 | | M4.17 M4.45 | Vlieg wielhuis TMC40 | Flywheel housing TMC40 |
| 5-11 | | M4.17 M4.45 | Vlieg wielhuis TMC60 | Flywheel housing TMC60 |
| 5-12 | | M4.17 M4.45 | Vlieg wielhuis TM345H (A) | Flywheel housing TM345H (A) |
| 5-13 | | M4.17 M4.45 | Vlieg wielhuis ZF10M | Flywheel housing ZF10M |
| 5-14 | | M4.17 M4.45 | Vlieg wielhuis ZF12M | Flywheel housing ZF12M |
| 5-15 | | M4.17 M4.45 | Vlieg wielhuis ZF15MA | Flywheel housing ZF15MA |
| 5-16 | | M4.17 M4.45 | Vlieg wielhuis ZF12 | Flywheel housing ZF12 |
| 5-17 | | M4.17 M4.45 | Vlieg wielhuis ZF25 (A) | Flywheel housing ZF25 (A) |
| 5-18 | | M4.17 M4.45 | Vlieg wielhuis PRM150 | Flywheel housing PRM150 |
| 5-19 | M4.15 | M4.17 | Oliekoeler keerkoppeling | Oil cooler gearbox |
| 5-20 | | | | |
| 6-1 | M4.15 M4.35 | M4.17 M4.45 | Regulateur | Regulator |
| 6-2 | M4.15 M4.35 | M4.17 M4.45 | Regulateur | Regulator |
| 6-3 | M4.15 M4.35 | M4.17 M4.45 | Brandstofleidingen | Fuel pipes |
| 6-4 | M4.15 M4.35 | M4.17 M4.45 | Brandstofpomp | Fuel pump |
| 6-5 | M4.15 M4.35 | M4.17 M4.45 | Brandstofpomp | Fuel pump |
| 6-6 | M4.15 M4.35 | M4.17 M4.45 | Verstuiverhouder | Nozzle holder |
| 6-7 | M4.15 | M4.17 | Brandstoffilter | Fuel filter |
| 6-8 | M4.15 | M4.17 | Brandstoffilter | Fuel filter |
| 6-9 | M4.15 | M4.17 | Brandstoffilter | Fuel filter |
| 6-10 | M4.35 | M4.45 | Brandstoffilter | Fuel filter |
| 6-11 | M4.35 | M4.45 | Brandstoffilter | Fuel filter |
| 6-12 | | | | |
| 10-1 | M4.15 M4.35 | M4.17 M4.45 | Verloopset saildrive 110S | Adaptor kit saildrive 110S |
| 10-2 | M4.15 M4.35 | M4.17 M4.45 | Verloopset saildrive 120S | Adaptor kit saildrive 120S |
| 10-3 | M4.15 M4.35 | M4.17 M4.45 | Verloopset saildrive 120SB | Adaptor kit saildrive 120SB |
| 10-4 | M4.15 | M4.17 | Saildrive ZF SD10 | Saildrive ZF SD10 |

| pag. page | type | | omschrijving | description |
|-----------|----------------------------|----------------|---|---|
| 10-5 | M4.15 | M4.17 | Saildrive ZF SD10 | Saildrive ZF SD10 |
| 10-6 | M4.15 | M4.17 | Saildrive ZF SD10 | Saildrive ZF SD10 |
| 10-7 | M4.15 | M4.17 | Boileraansluiting, interkoeling, 06-2009 <- | Calorifier connection, intercooling, 06-2009 <- |
| 10-8 | M4.15 M4.35 | M4.17 M4.45 | Boileraansluiting, interkoeling, 06-2009 -> | Calorifier connection, intercooling, 06-2009-> |
| 10-9 | M4.15 | M4.17 | Boileraansluiting, kielkoeling, , 06-2009 <- | Calorifier connection, keelcooling, 06-2009 <- |
| 10-10 | M4.15 M4.35 | M4.17 M4.45 | Boileraansluiting, kielkoeling, 06-2009 -> | Calorifier connection, keelcooling, 06-2009 -> |
| 10-11 | M4.15 M4.35 | M4.17 M4.45 | Aanbouwdelen hydraulische aandrijving | Adapter parts for hydraulic propulsion |
| 10-12 | M4.15 M4.35 | M4.17 M4.45 | Saildrive SP60 | Saildrive SP60 |
| 10-13 | M4.15 SOLAS M4.17 SOLAS | | Instrumenten paneel MP10 | Instrument panel MP10 |
| 10-14 | M4.15 SOLAS M4.17 SOLAS | | Tilt kit | Tilt kit |
| 10-15 | M4.15 SOLAS M4.17 SOLAS | | Impeller interkoeling | Impeller Intercooling |
| 10-16 | M4.15 SOLAS M4.17 SOLAS | | Motorverwarming | Engine heater |
| 10-17 | M4.15 SOLAS M4.17 SOLAS | | Veerstarter | Spring starter |
| 10-18 | M4.15 M4.35 | M4.17 M4.45 | Separaat gemonteerd oliefilter + brandstof-filter | Oil filter + fuel filter, separately installed |
| 10-19 | M4.15 M4.35 | M4.17 M4.45 | Separaat gemonteerd oliefilter + brandstof-filter | Oil filter + fuel filter, separately installed |
| 10-20 | M4.35 | M4.45 | Transportsteun | Transport support |
| 10-21 | M4.35 | M4.45 | Dynamo set 12V-140A | Alterator kit 12V-140A |
| | | | Register | Index |



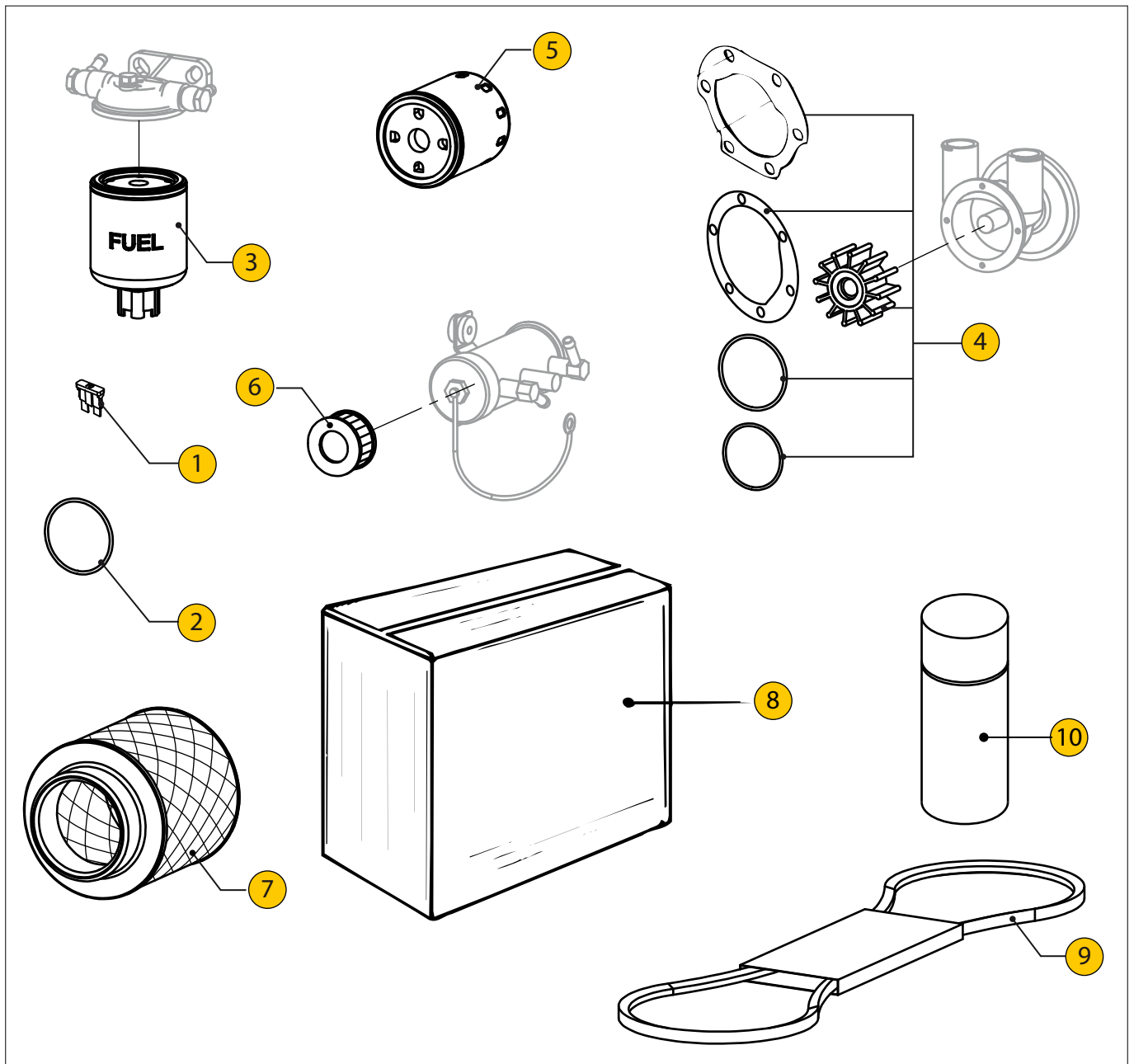
M4.15

M4.17

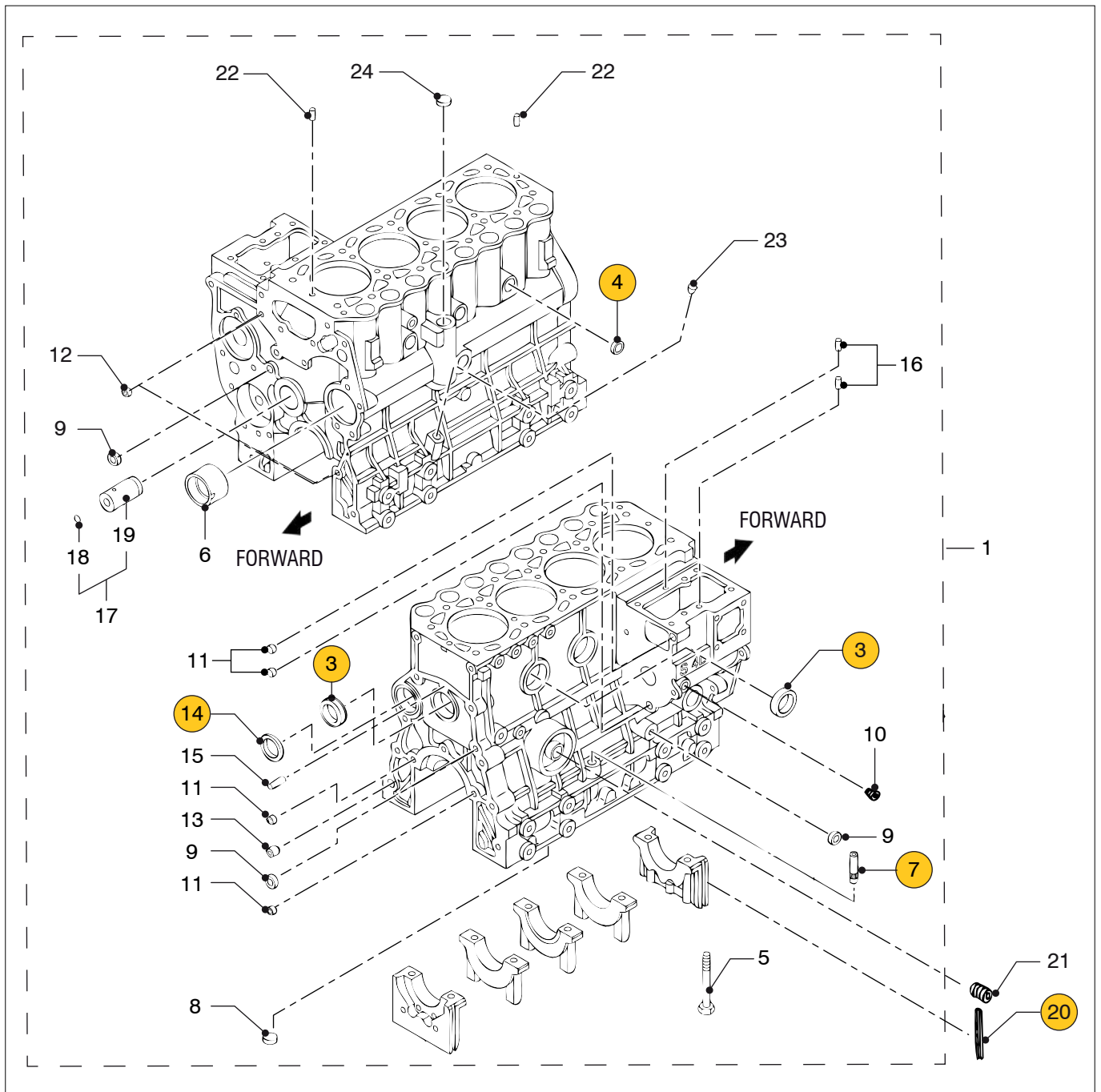
Serviceonderdelen

Service parts

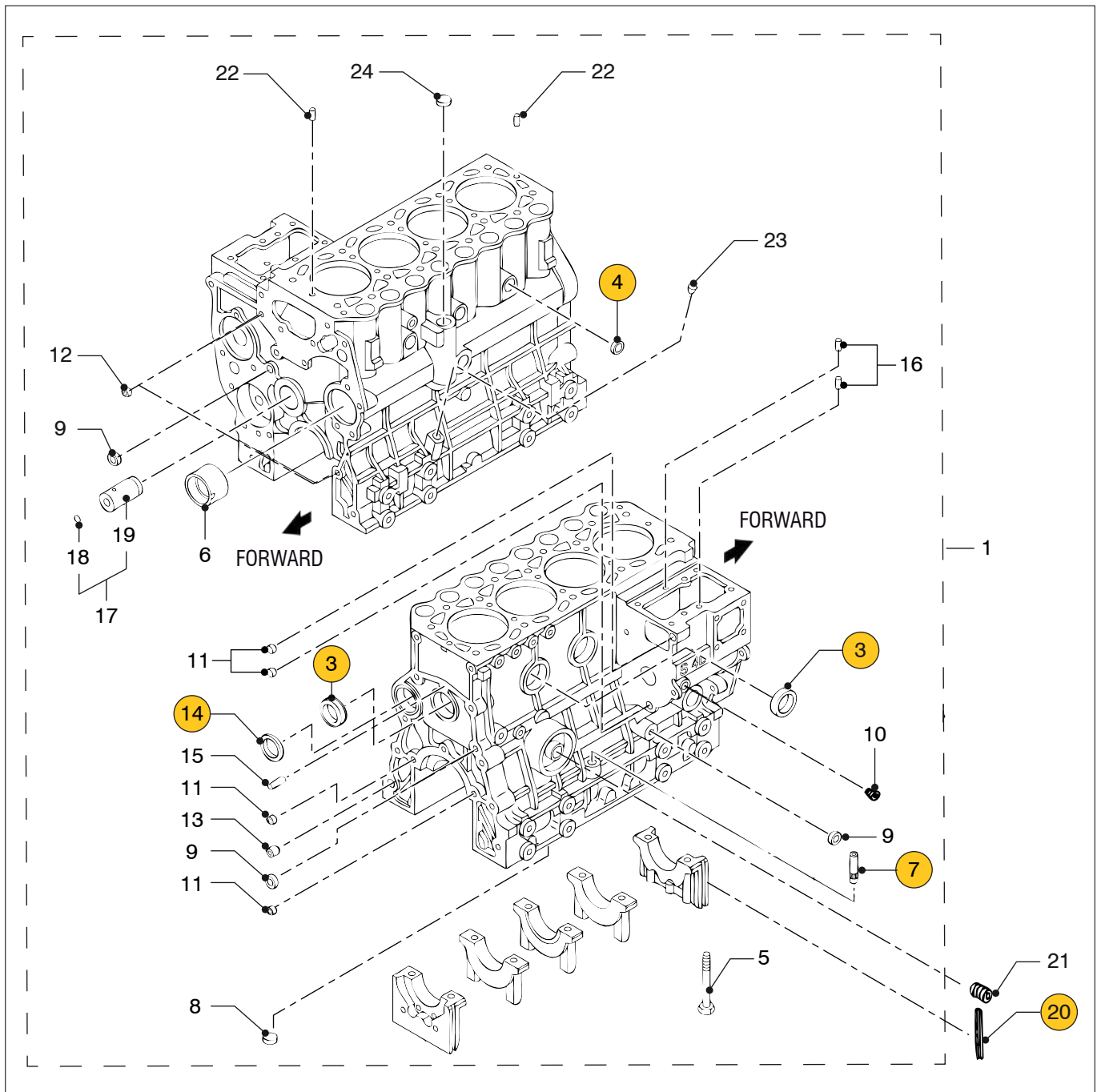
| pos. | qty | part | benaming | description |
|------|-----|---------|---|--|
| 1 | 5 | STM9185 | Glaszekering 10A T ø6,3x32 | Glass fuse 10A slow ø6,3x32 |
| 2 | 2 | STM6113 | O-ring Warmtewisselaar 61x2,5 | O-ring Heat exchanger 61x2.5 |
| 3 | 1 | STM3690 | Brandstoffilter | Fuel filter |
| 4 | 1 | STM8076 | Impeller + pakkingen | Impeller + gaskets |
| 5 | 1 | STM0051 | Oliefilter | Oil filter |
| 6 | 1 | STM9543 | Service kit pos 3, 4, 5, 7 (STM7966) | Service kit pos 3, 4, 5, 7 (STM7966) |
| 7 | 1 | STM7966 | V-snaar 50 A dynamo | V-belt 50 A alternator |
| | 1 | STM7643 | V-snaar 110 A dynamo AVX 10x995 la (SPZ) | V-belt 110 A alternator |
| | 1 | STM9857 | V-snaar 75 A dynamo 06-2009 ->, zie pag. 4-6 | V-belt 75 A alternator ->06-2009, refer to page 4-6 |
| | 1 | STM9858 | V-snaar 110 A dynamo 06-2009 ->, zie pag. 4-8 | V-belt 110 A alternator ->06-2009, refer to page 4-8 |
| 8 | 1 | STM0056 | Spuitbus verf | Spray can paint |



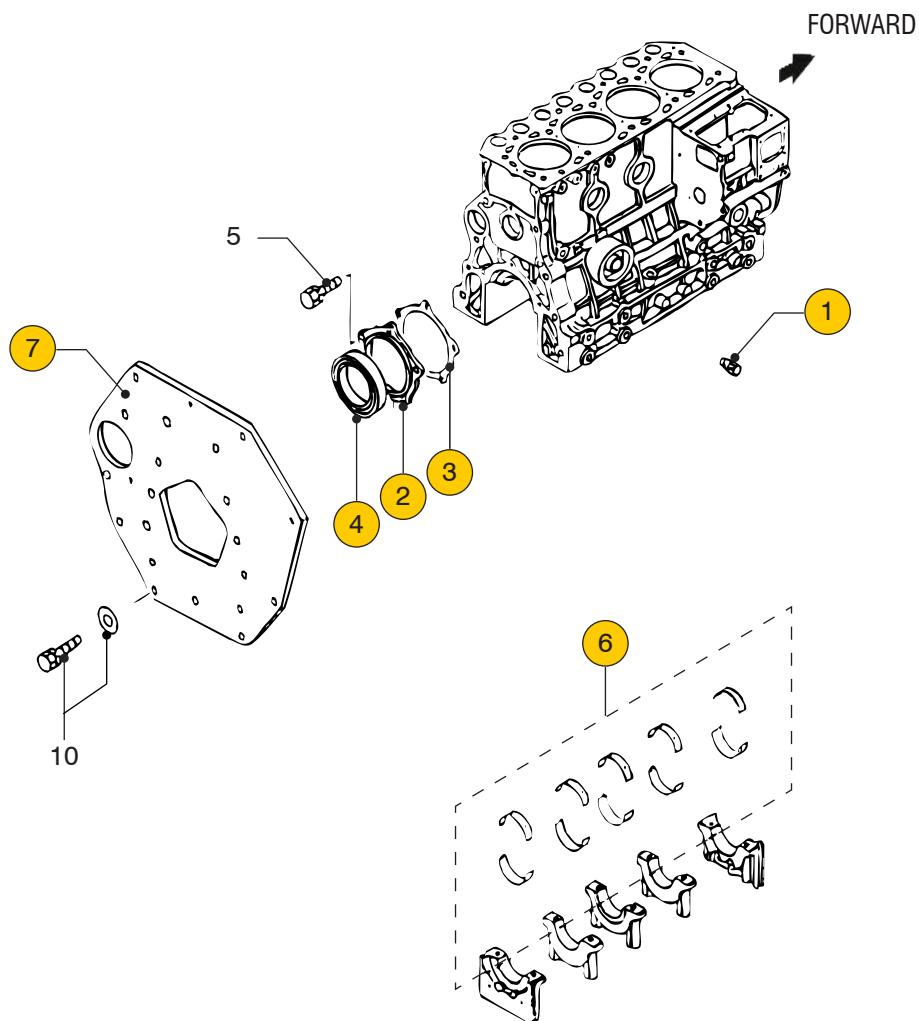
| M4.35 | | M4.45 | | Serviceonderdelen | Service parts |
|-------|-----|----------|--|--|---------------|
| pos. | qty | part | benaming | description | |
| 1 | 5 | 08-01420 | Steekzekering ATO 10A | ATO fuse 10A | |
| 2 | 2 | STM6113 | O-ring Warmtewisselaar 61x2,5 | O-ring Heat exchanger 61x2.5 | |
| 3 | 1 | STM3690 | Brandstoffilter | Fuel filter | |
| 4 | 1 | STM8076 | Impeller + pakkingen | Impeller + gaskets | |
| 5 | | STM0051 | Oliefilter | Oil filter | |
| 6 | 1 | STM4050 | Brandstoffilter opvoerpomp | Fuel filter fuel lift pump | |
| 7 | 1 | 08-01308 | Luchtfilterelement | Air cleaner element | |
| 8 | 1 | STM9545 | Service kit pos 3 t.e.m. 7 + 9 (STM9857) | Service kit pos 3 t.e.m. 7 + 9 (STM9857) | |
| 9 | 1 | STM9857 | V-snaar 75 A dynamo | V-belt 75 A alternator | |
| | 1 | STM9858 | V-snaar 110 A dynamo | V-belt 110 A alternator | |
| 10 | 1 | STM0056 | Spuitbus verf | Spray can paint | |



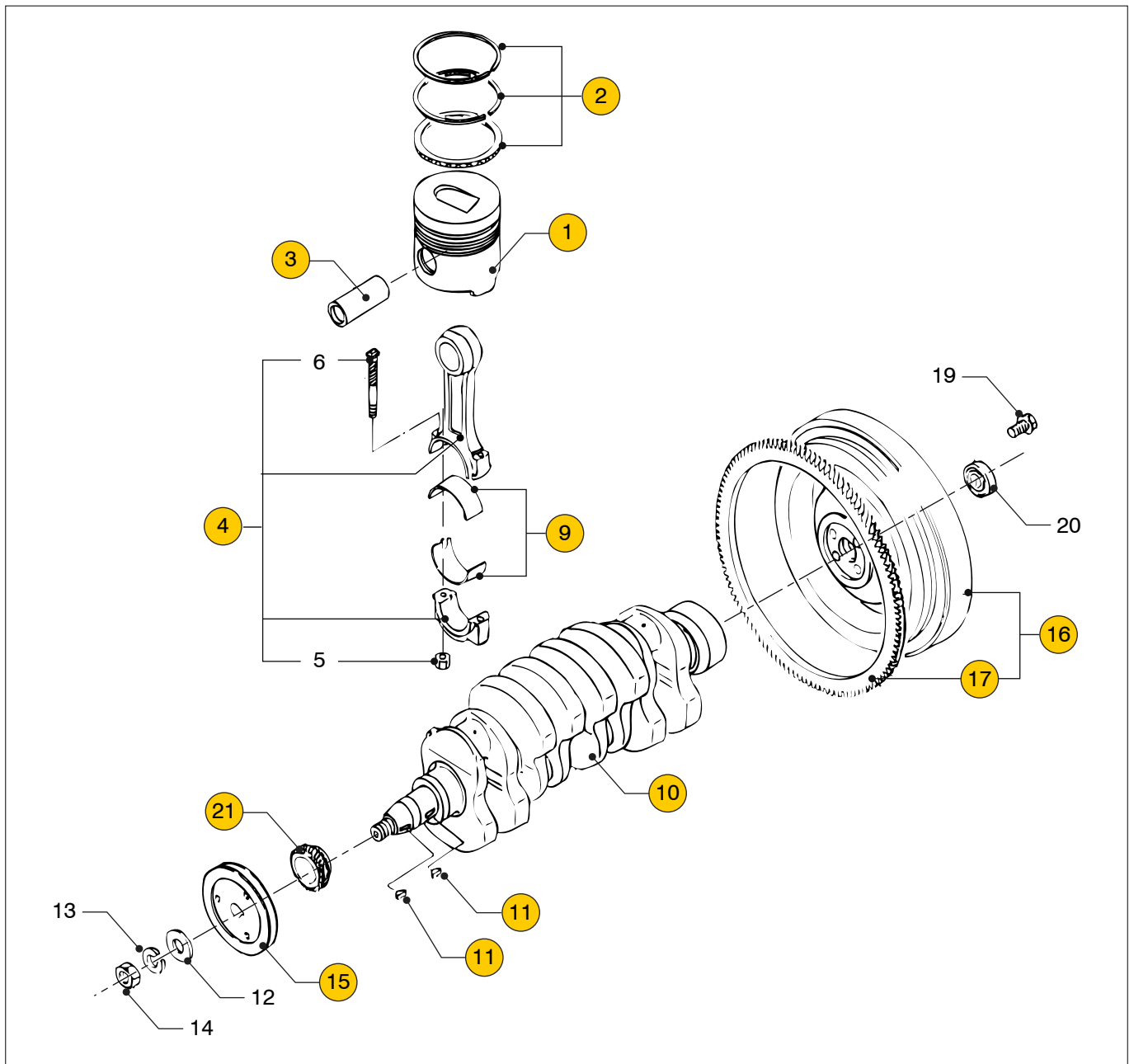
| M4.15 M4.35 | | M4.17 M4.45 | | Motorblok | Engine block |
|----------------|-----|----------------|-------------------------|---------------------------|--------------|
| pos. | qty | part | benaming | description | |
| 1 | 1 | STM7742 | Motorblok | Engine block | |
| 3 | 3 | STM7743 | Kap | Cap | |
| 4 | 3 | STM7744 | Kap | Cap | |
| 5 | 10 | STM7745 | Bout | Bolt | |
| 6 | 1 | STM7746 | Bus | Bush | |
| 7 | 1 | STM1103 | Geleider | Guide | |
| 8 | 1 | STM7747 | Kap | Cap | |
| 9 | 3 | STM7748 | Kap serienr. 131522 <- | Cap serial nr. 131522 <- | |
| | 1 | STM7748 | Kap serienr. 131523 -> | Cap serial nr. 131523 -> | |
| | 2 | STM9477 | Plug serienr. 131523 -> | Plug serial nr. 131523 -> | |
| 10 | 1 | STM7749 | Plug | Plug | |
| 11 | 4 | STM7750 | Bus | Bush | |
| 12 | 2 | STM2510 | Bus | Bush | |



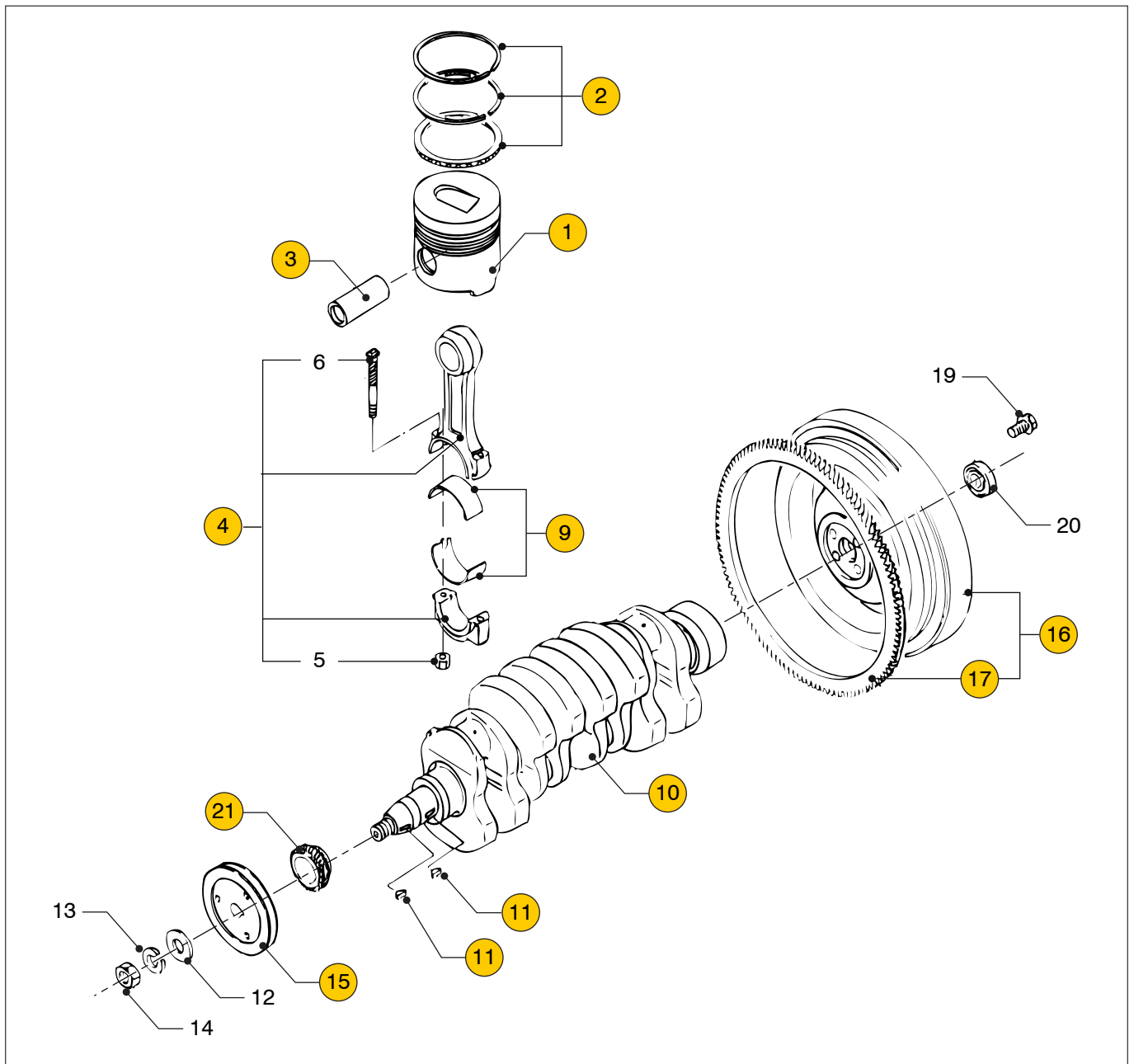
| | | M4.15 M4.35 | M4.17 M4.45 | Motorblok | Engine block |
|------|-----|----------------|----------------|-------------|--------------|
| pos. | qty | part | benaming | description | |
| 13 | 1 | STM2511 | Bus | Bush | |
| 14 | 1 | STM2508 | Plug | Plug | |
| 15 | 1 | STM7751 | Pen | Pin | |
| 16 | 2 | STM2492 | Pen | Pin | |
| 17 | 1 | STM7752 | As | Shaft | |
| 18 | 1 | STM7753 | Kogel | Ball | |
| 19 | 1 | STM7754 | As | Shaft | |
| 20 | 4 | STM7755 | Afdichting | Seal | |
| 21 | 1 | STM7756 | As | Shaft | |
| 22 | 2 | STM7757 | Pen | Pin | |
| 23 | 1 | STM7758 | Plug | Plug | |
| 24 | 1 | STM2537 | Kap | Cap | |



| | M4.15 M4.35 | M4.17 M4.45 | Motorblok | Engine block |
|------|----------------|----------------|---------------|------------------|
| pos. | qty | part | benaming | description |
| ① | 1 | STM2513 | Plug | Plug |
| ② | 1 | STM7760 | Huis | Case |
| ③ | 1 | STM7761 | Pakking | Gasket |
| ④ | 1 | STM7762 | Afdichting | Seal |
| 5 | 5 | STM7763 | Bout | Bolt |
| ⑥ | 1 | STM3389 | Lagerset std. | Bearing kit std. |
| | | STM7764 | Lagerset 0,25 | Bearing kit 0.25 |
| | | STM7765 | Lagerset 0,50 | Baering kit 0.50 |
| | | STM7766 | Lagerset 0,75 | Bearing kit 0.75 |
| ⑦ | 1 | STM7767 | Achterplaat | Rear plate |
| 10 | 6 | STM7769 | Bout + Ring | Bolt + Washer |



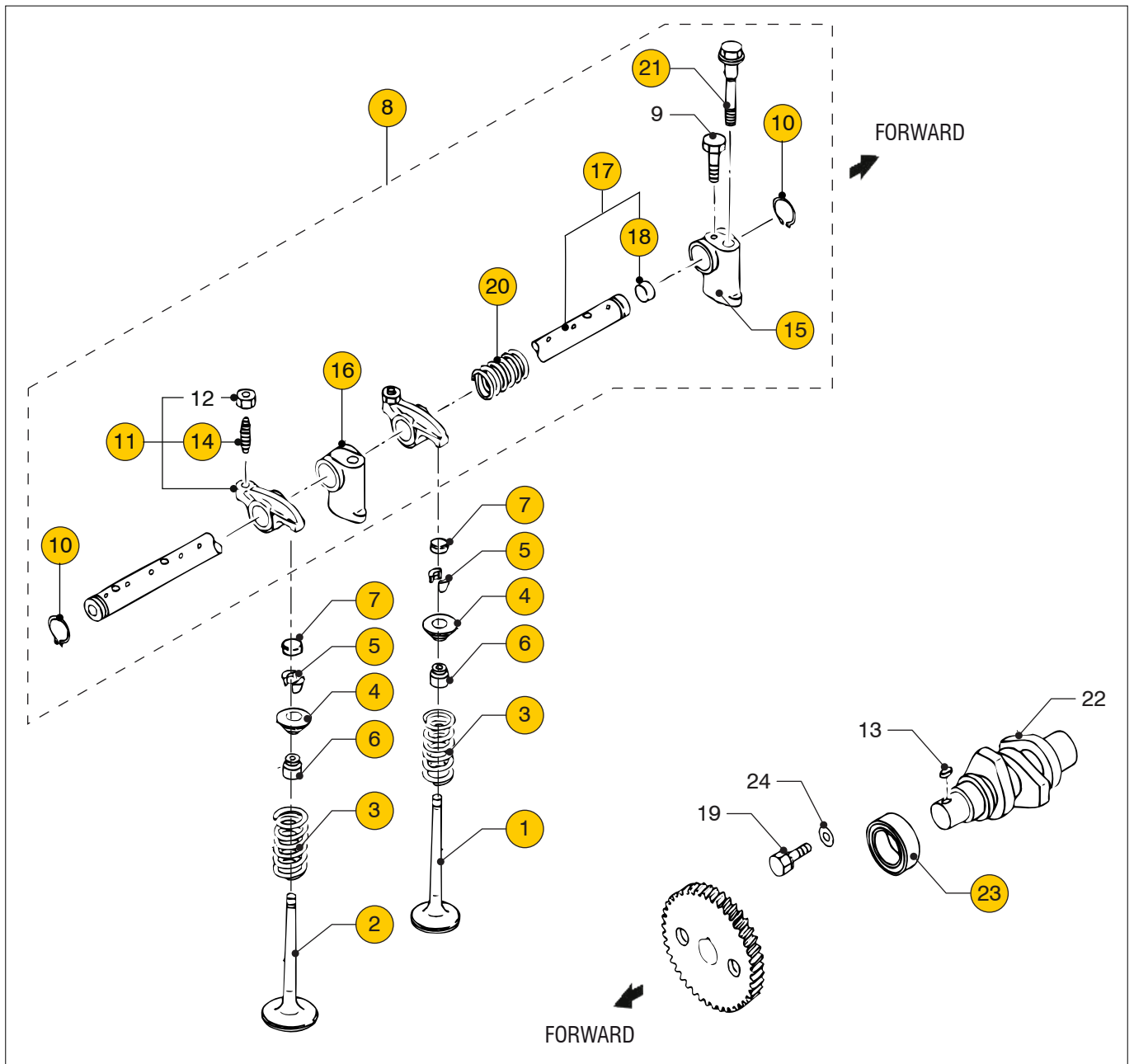
| M4.15 M4.35 | | M4.17 M4.45 | Krukas + zuiger | Crankshaft + piston |
|----------------|-----|----------------|-----------------------|---------------------|
| pos. | qty | part | benaming | description |
| 1 | 4 | STM7787 | Zuiger std. | Piston std. |
| | 4 | STM7788 | Zuiger 0,25 | Piston 0.25 |
| | 4 | STM7789 | Zuiger 0,50 | Piston 0.50 |
| 2 | 4 | STM7790 | Ringen set std. | Ring set std. |
| | 4 | STM7791 | Ringen set 0,25 | Ring set 0.25 |
| | 4 | STM7792 | Ringen set 0,50 | Ring set 0.50 |
| 3 | 4 | STM7793 | Piston pen | Piston pin |
| 4 | 4 | STM7410 | Drijfstang cpl. M4.15 | Rod cpl. M4.15 |
| | 4 | STM7794 | Drijfstang cpl. M4.17 | Rod cpl. M4.17 |
| 5 | 8 | STM7795 | Moer | Nut |
| 6 | 8 | STM7796 | Bout | Bolt |
| 9 | 4 | STM7799 | Lagerset std. | Bearing set std |
| | 4 | STM7800 | Lagerset 0,25 | Bearing set 0.25 |
| | 4 | STM7801 | Lagerset 0,50 | Bearing set 0.50 |
| | 4 | STM7802 | Lagerset 0,75 | Bearing set 0.75 |



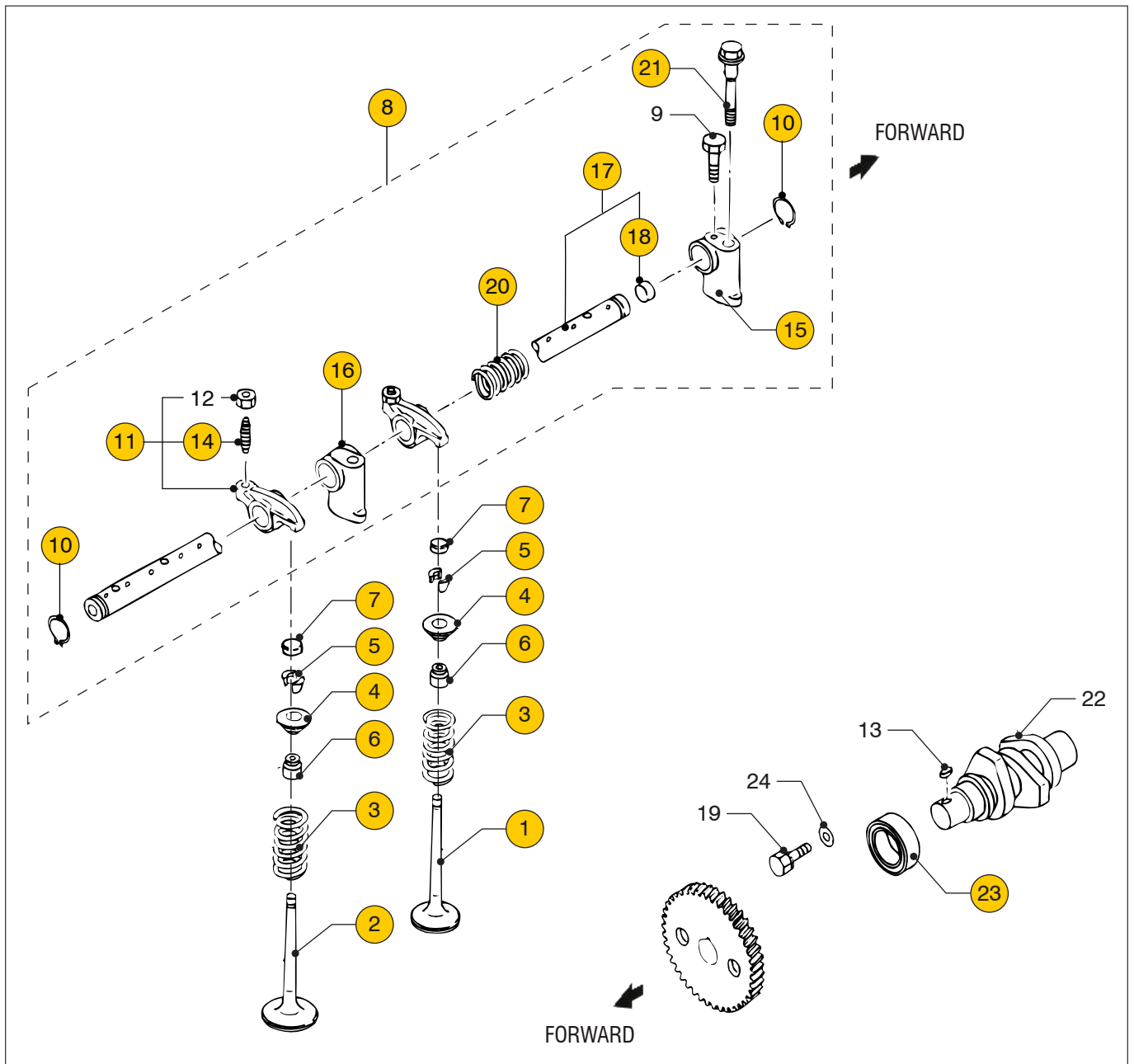
M4.15 M4.17
M4.35 M4.45 **Krukas + zuiger**

Crankshaft + piston

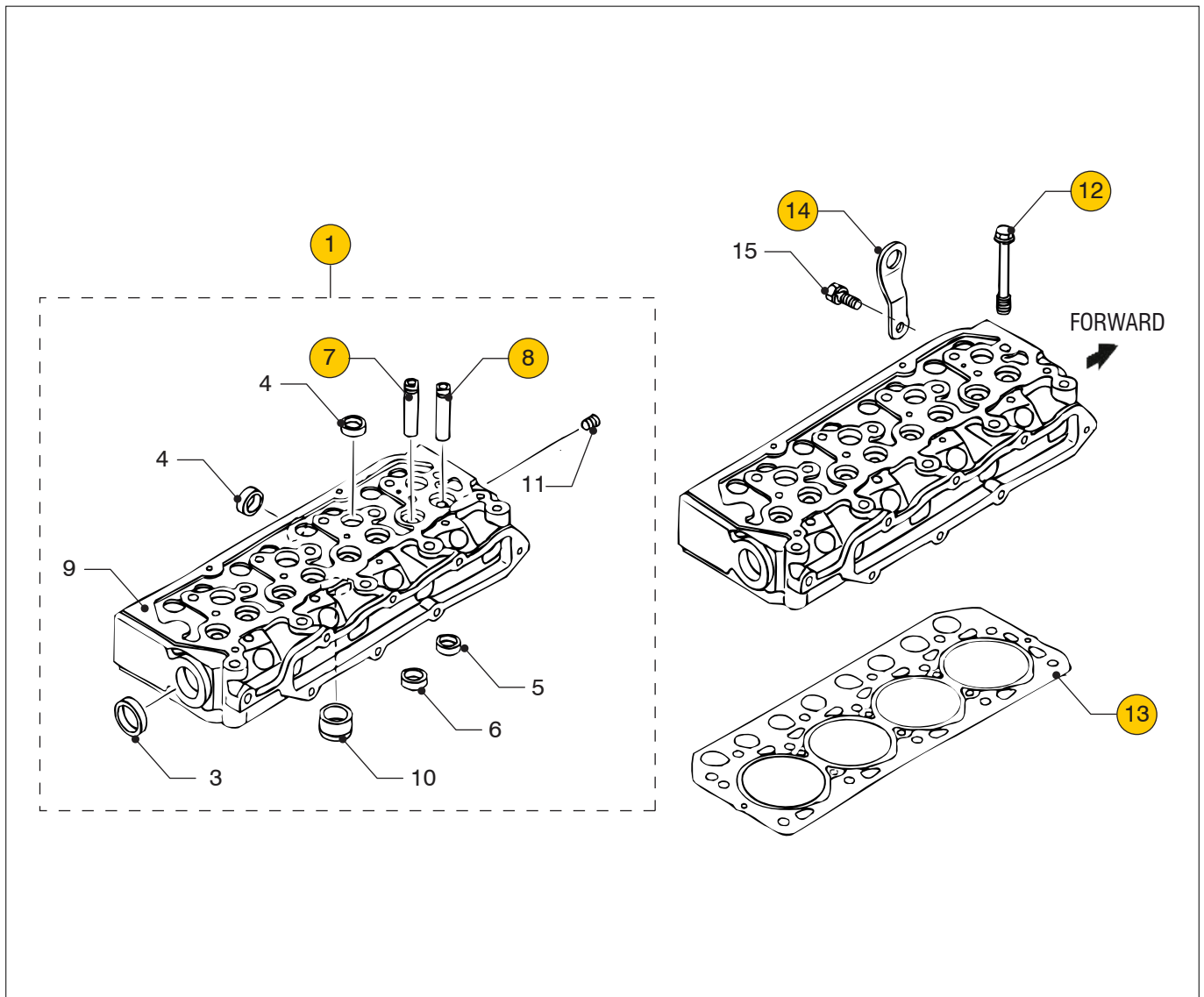
| pos. | qty | part | benaming | description |
|------|-----|---------|-------------------|----------------------|
| 10 | 1 | STM7803 | Krukas M4.17 | Crankshaft M4.17 |
| | 1 | STM7411 | Krukas M4.15 | Crankshaft M4.15 |
| 11 | 2 | STM2569 | Spie | Key |
| 12 | 1 | STM7804 | Ring | Washer |
| 13 | 1 | STM7805 | Ring | Washer |
| 14 | 1 | STM7806 | Moer | Nut |
| 15 | 1 | STM7807 | Snaarschijf | Pulley |
| 16 | 1 | STM7809 | Vliegwiel + krans | Flywheel + gear ring |
| 17 | 1 | STM2573 | Starterkrans | Gear ring |
| 19 | 4 | STM3448 | Bout | Bolt |
| 20 | 1 | STM2574 | Lager | Bearing |
| 21 | 1 | STM7812 | Tandwiel | Gear |



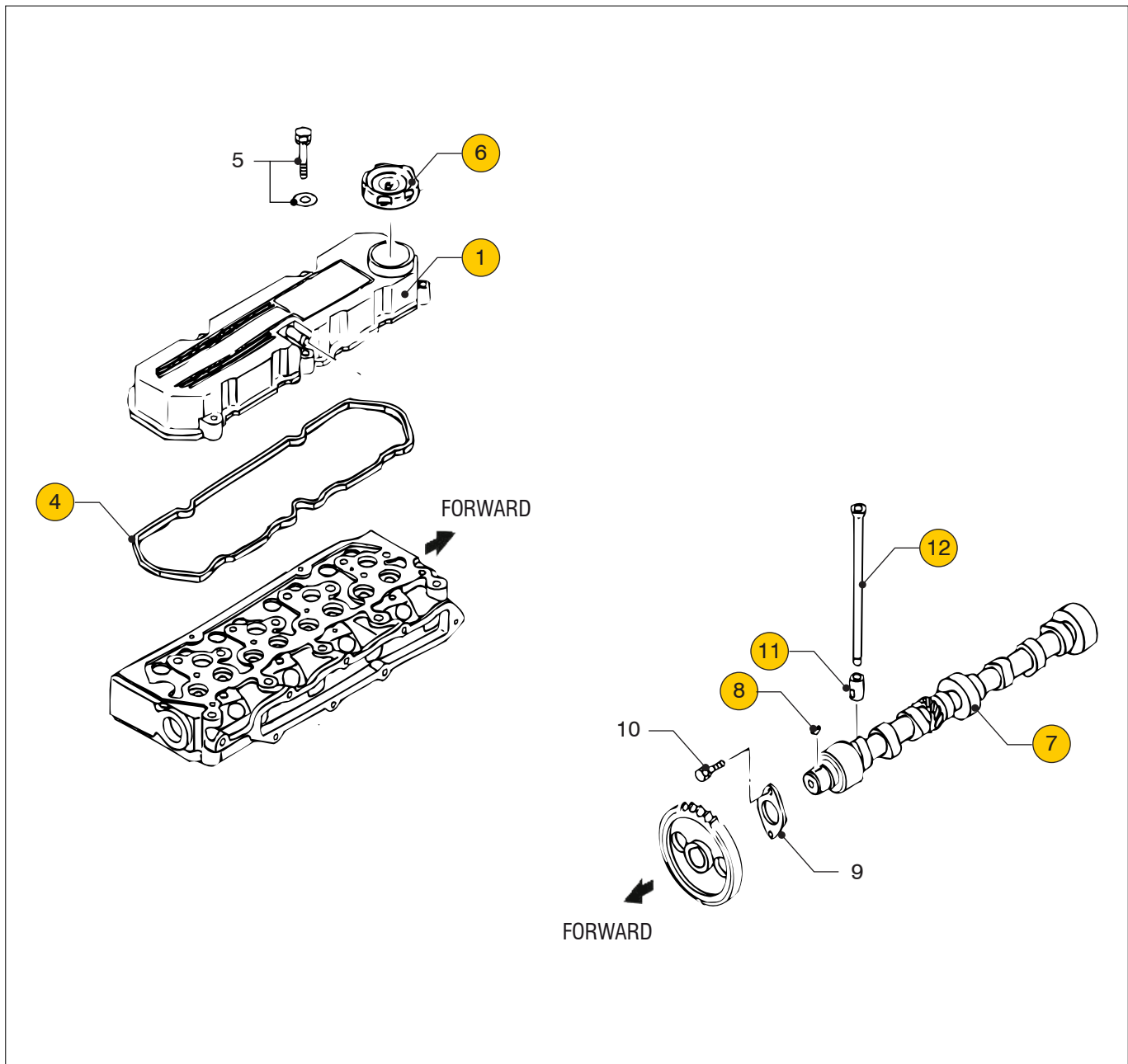
| | M4.15 | M4.17 | Kleppen | Valves |
|------|-------|---------|-------------------|-----------------------|
| | M4.35 | M4.45 | | |
| pos. | qty | part | benaming | description |
| 1 | 4 | STM7712 | Inlaatklep | Inlet valve |
| 2 | 4 | STM7713 | Uitlaatklep | Exhaust valve |
| 3 | 8 | STM7714 | Veer | Spring |
| 4 | 8 | STM7715 | Veerschotel | Retainer valve spring |
| 5 | 16 | STM2588 | Klepspie | Lock valve retainer |
| 6 | 8 | STM2589 | Ring | Washer |
| 7 | 8 | STM7716 | Kap | Cap |
| 8 | 1 | STM7717 | Tuimelaaras, cpl. | Rockershaft, cpl. |
| 9 | 1 | STM7718 | Bout | Bolt |
| 10 | 2 | STM2603 | Borgveer | Ring snap |
| 11 | 8 | STM7719 | Tuimelaar cpl. | Rocker cpl. |
| 12 | 8 | STM7720 | Moer | Nut |
| 13 | 1 | STM7730 | Spie | Key |
| 14 | 8 | STM7721 | Stelbout | Bolt |
| 15 | 1 | STM7722 | Steun | Bracket |
| 16 | 3 | STM7723 | Steun | Bracket |



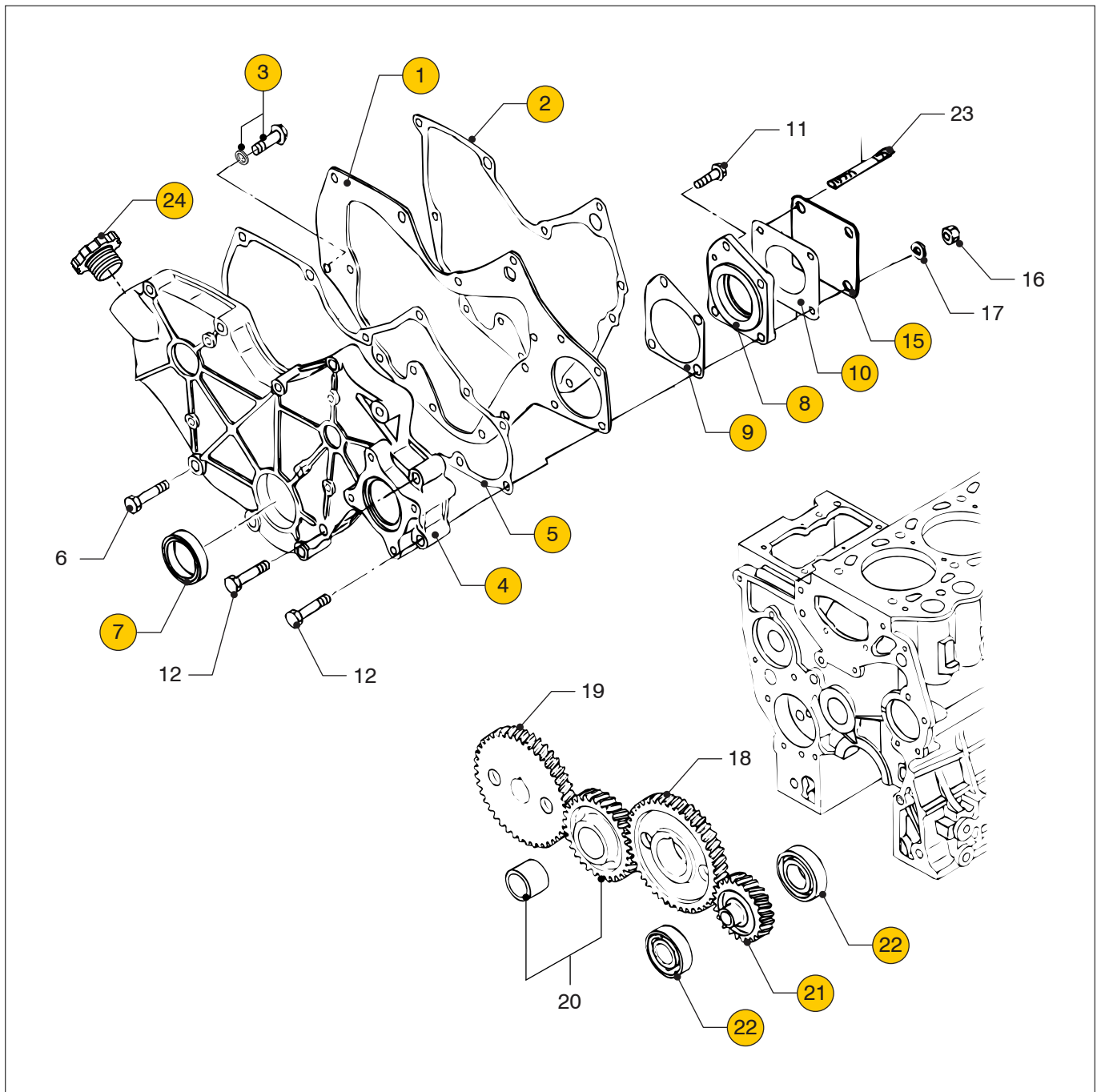
| | M4.15 | M4.17 | Kleppen | Valves |
|------|-------|---------|--------------------|------------------------|
| | M4.35 | M4.45 | | |
| pos. | qty | part | benaming | description |
| 17 | 1 | STM7724 | As | Shaft |
| 18 | 2 | STM7725 | Kap | Cap |
| 19 | 1 | STM7731 | Bout | Bolt |
| 20 | 3 | STM7727 | Veer | Spring |
| 21 | 4 | STM7728 | Bout | Bolt |
| 22 | 1 | STM7729 | As (brandstofpomp) | Shaft (fuel inj. pump) |
| 23 | 1 | STM2583 | Lager | Bearing |
| 24 | 1 | STM2580 | Ring | Washer |



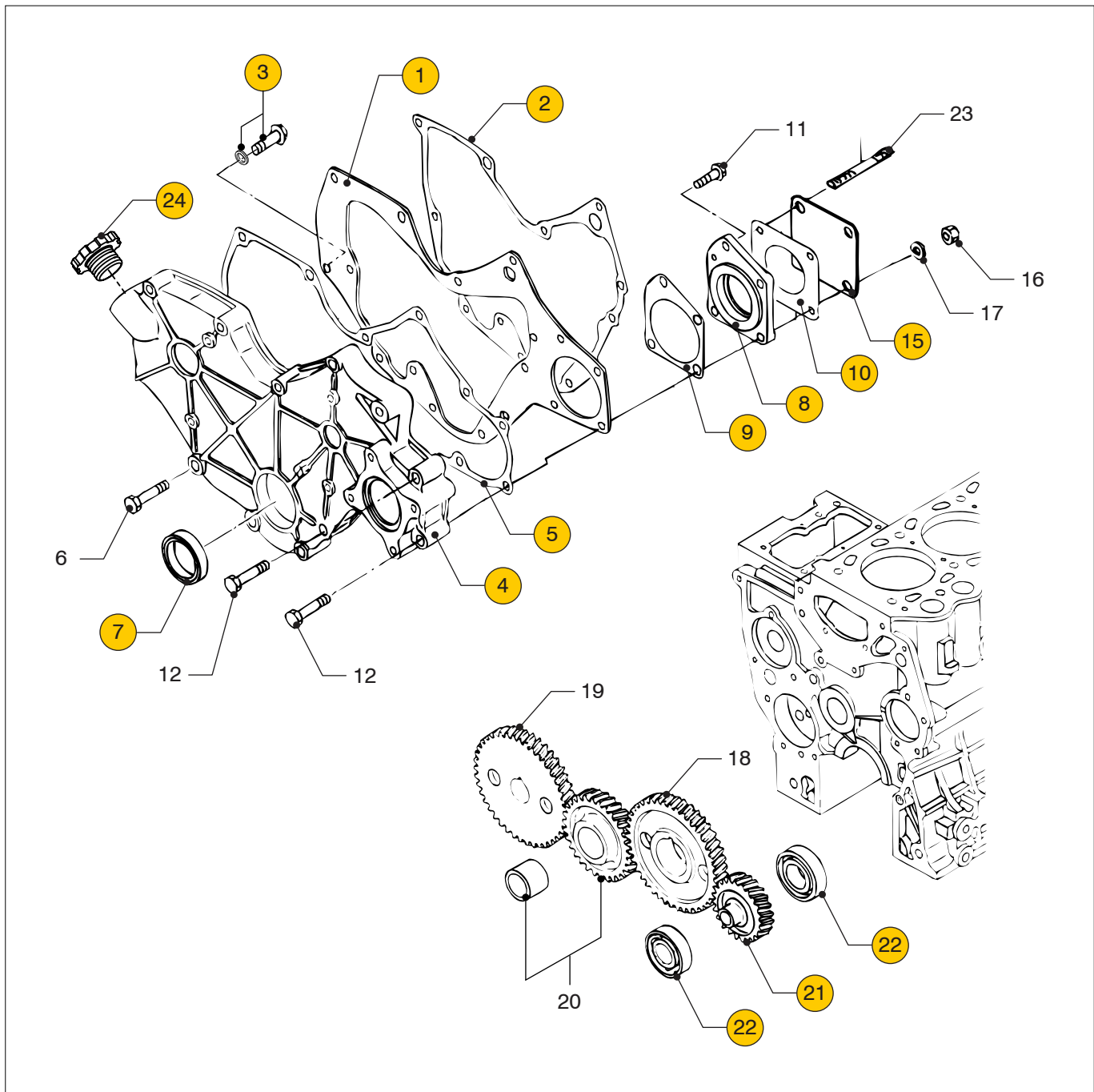
| | M4.15 | M4.17 | Cilinderkop | Cylinder head |
|------|-------|---------|---|---|
| | M4.35 | M4.45 | | |
| pos. | qty | part | benaming | description |
| 1 | 1 | STM7412 | Cilinderkop cpl. M4.15 | Cylinder head cpl. M4.15 |
| 1 | 1 | STM7700 | Cilinderkop cpl. M4.17 serienr.111591<- | Cylinder head cpl. M4.17 serial nr. 111591 <- |
| 1 | 1 | STM9901 | Cilinderkop cpl. M4.17 serienr.113342-> | Cylinder head cpl. M4.17 serial nr. 113342-> |
| 3 | 1 | STM7702 | Kap | Cap |
| 4 | 7 | STM7414 | Kap M4.17 | Cap M4.17 |
| | 7 | STM1108 | Kap M4.15 | Cap M4.15 |
| 5 | 4 | STM7959 | Inlaatklep zitting | Inlet seal valve |
| 6 | 4 | STM7960 | Uitlaatklep zitting | Exhaust seal valve |
| 7 | 4 | STM7704 | Klep geleider uitlaat | Guide exhaust valve |
| 8 | 4 | STM7705 | Klep geleider inlaat | Guide inlet valve |
| 9 | 1 | STM7961 | Cilinderkop | Cylinder head |
| 10 | 4 | STM7415 | Bus M4.15 | Bush M4.15 |
| | 4 | STM7706 | Bus M4.17 serienr.111591<- | Bush M4.17 serial nr. 111591 <- |
| | 4 | STM9986 | Bus M4.17 serienr.113342-> | Bush M4.17 serial nr. 113342-> |
| 11 | 1 | STM7707 | Plug | Plug |
| 12 | 14 | STM7708 | Bout | Bolt |
| 13 | 1 | STM7709 | Pakking | Gasket |
| 14 | 1 | STM7710 | Hijsoog | Lifting eye |
| 15 | 1 | STM7711 | Bout | Bolt |



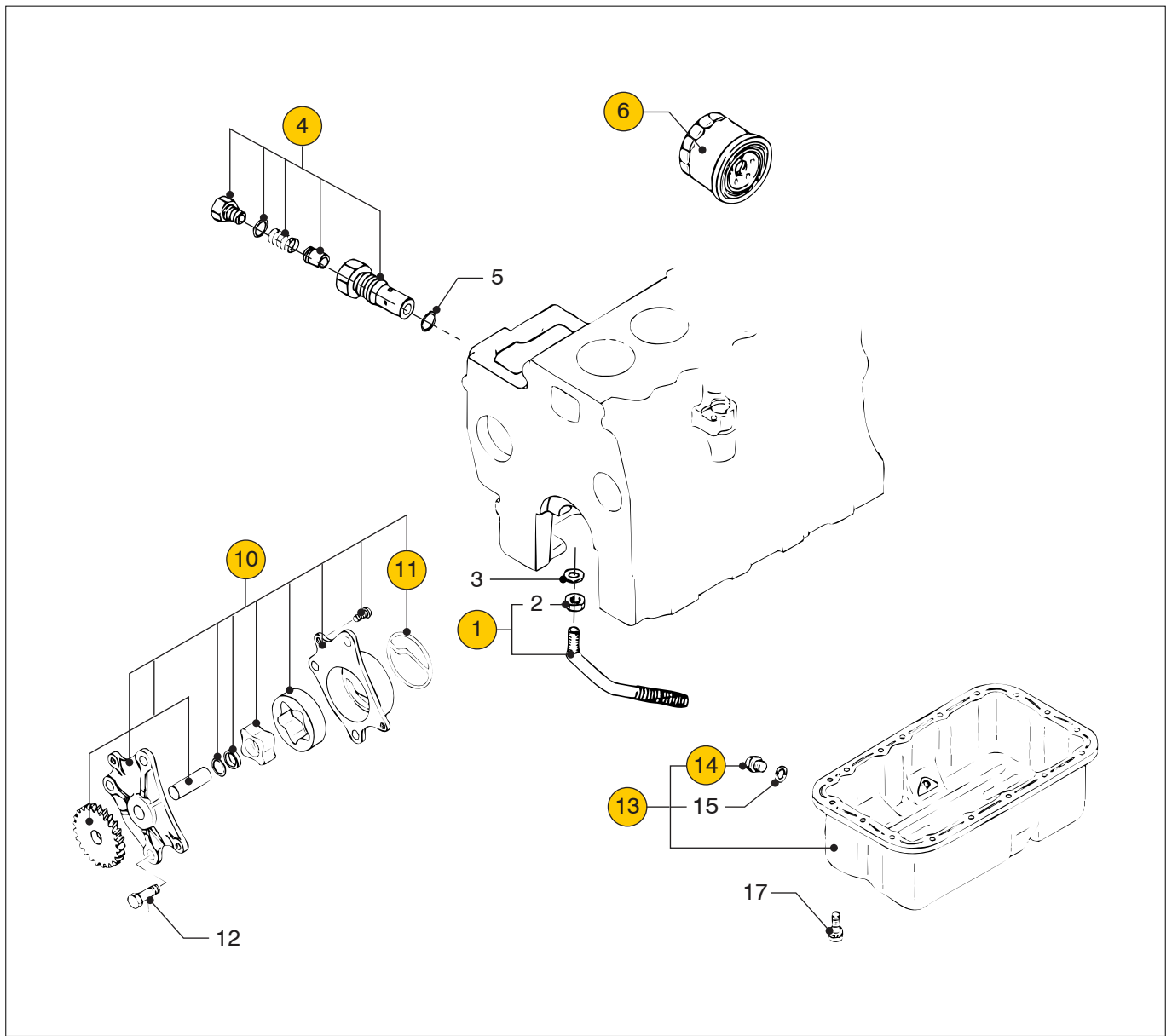
| | | M4.15 M4.35 | M4.17 M4.45 | Kleppendeksel + nokkenas | Rocker cover + camshaft |
|------|-----|----------------|----------------|--------------------------|-------------------------|
| pos. | qty | part | benaming | description | |
| 1 | 1 | STM7732 | Kleppendeksel | Rocker cover | |
| 4 | 1 | STM7734 | Pakking | Gasket | |
| 5 | 5 | STM7736 | Bout + Ring | Bolt + Washer | |
| 6 | 1 | STM2532 | Dop | Cap | |
| 7 | 1 | STM7737 | Nokkenas | Cam shaft | |
| 8 | 1 | STM2579 | Spie | Key | |
| 9 | 1 | STM7738 | Plaat | Plate | |
| 10 | 2 | STM7739 | Bout | Bolt | |
| 11 | 8 | STM2591 | Klepstoter | Tappet | |
| 12 | 4 | STM7740 | Stoterstang | Rod | |



| pos. | qty | part | benaming | description |
|------|-----|---------|-------------|---------------|
| 1 | 1 | STM7770 | Plaat | Plate |
| 2 | 1 | STM7771 | Pakking | Gasket |
| 3 | 5 | STM7772 | Bout + Ring | Bolt + Washer |
| 4 | 1 | STM7773 | Deksel | Cover |
| 5 | 2 | STM7774 | Pakking | Gasket |
| 6 | 8 | STM2528 | Bout | Bolt |
| 7 | 1 | STM2527 | Keerring | Seal |
| 8 | 1 | STM7776 | Huis | Case |
| 9 | 1 | STM7777 | Pakking | Gasket |
| 10 | 2 | STM2526 | Pakking | Gasket |
| 11 | 1 | STM7778 | Bout | Bolt |
| 12 | 1 | STM7779 | Bout | Bolt |
| 15 | 1 | STM2525 | Deksel | Cover |
| 16 | 4 | STM7940 | Moer | Nut |



| | | M4.15 M4.35 | M4.17 M4.45 | PTO | PTO |
|------|-----|----------------|-----------------------------------|---------------------------------------|-----------------|
| pos. | qty | part | benaming | description | |
| | 17 | 4 | STM7941 | Ring | Washer |
| | 18 | 1 | STM7814 | Tandwiel | Gear wheel |
| | 19 | 1 | STM7815 | Tandwiel | Gear wheel |
| | 1 | STM9998 | Tandwiel M4.17 serienr. 113342 -> | Gear wheel M4.17 serial nr. 113342 -> | |
| | 20 | 1 | STM7816 | Tandwiel cpl. | Gear wheel cpl. |
| | 21 | 1 | STM7817 | Tandwiel | Gear wheel |
| | 22 | 2 | STM7818 | Lager | Bearing |
| | 23 | 2 | STM7780 | Tapeind | Stud |
| | 24 | 1 | STM3912 | Oliedop | Oil cap |

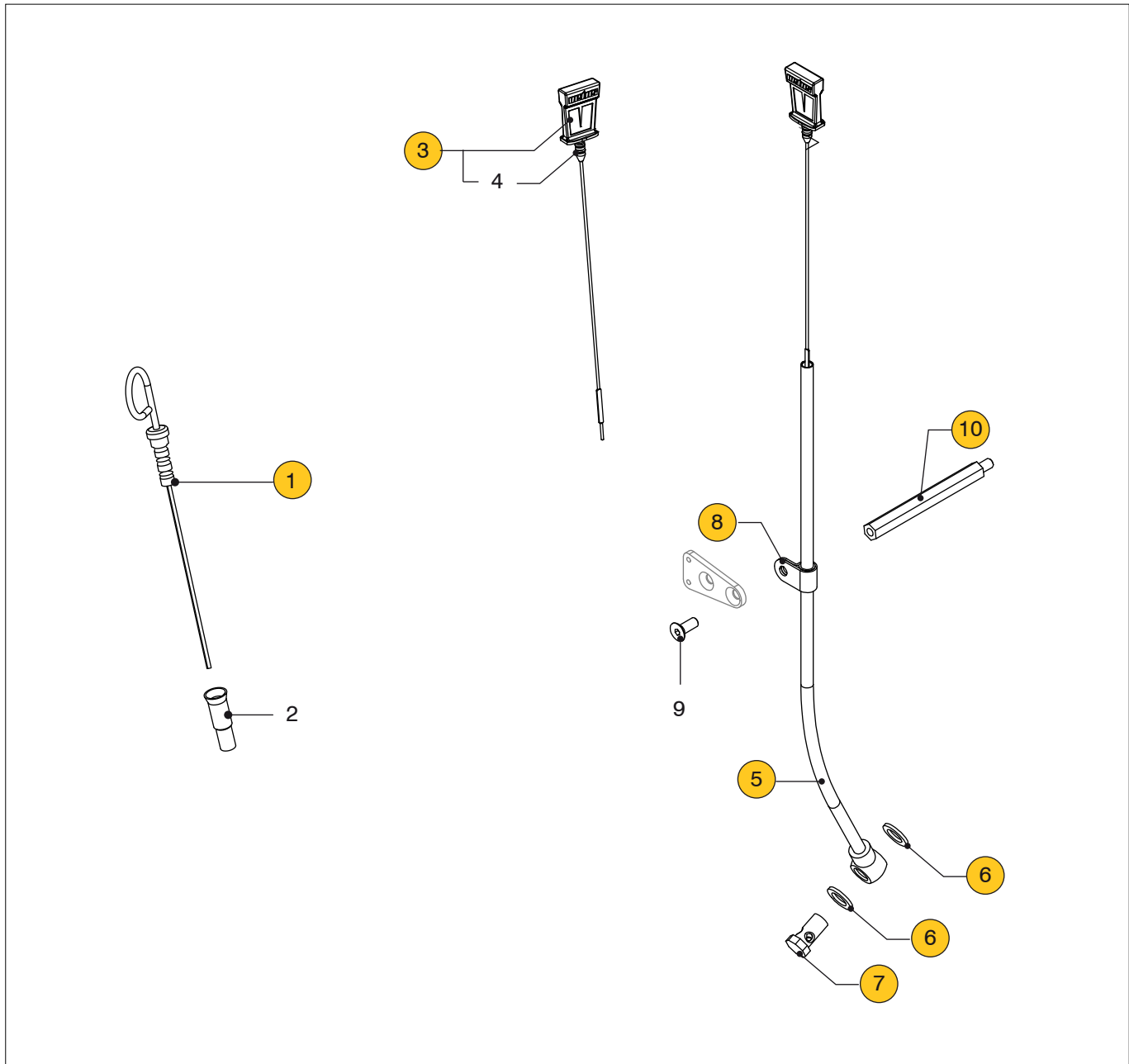


M4.15 M4.17
M4.35 M4.45

Carterpan + oliepomp

Oil pan + oil pump

| pos. | qty | part | benaming | description |
|------|-----|---------|----------------|---------------|
| 1 | 1 | STM7829 | Pijp cpl. | Pipe cpl. |
| 2 | 1 | STM7831 | Moer | Nut |
| 3 | 1 | STM2672 | Pakking | Gasket |
| 4 | 1 | STM7962 | Klep cpl. | Valve cpl. |
| 5 | 1 | STM7832 | Afdichtring | Seal washer |
| 6 | 1 | STM0051 | Oliefilter | Oil filter |
| 10 | 1 | STM7826 | Oliepomp cpl. | Oil pump cpl. |
| 11 | 1 | STM7827 | Pakking | Gasket |
| 12 | 3 | STM7828 | Bout | Bolt |
| 13 | 1 | STM7782 | Carterpan cpl. | Oil pan cpl. |
| 14 | 1 | STM7783 | Plug | Plug |
| 15 | 1 | STM7784 | Afdichtring | Seal washer |
| 17 | 17 | STM7786 | Bout | Bolt |



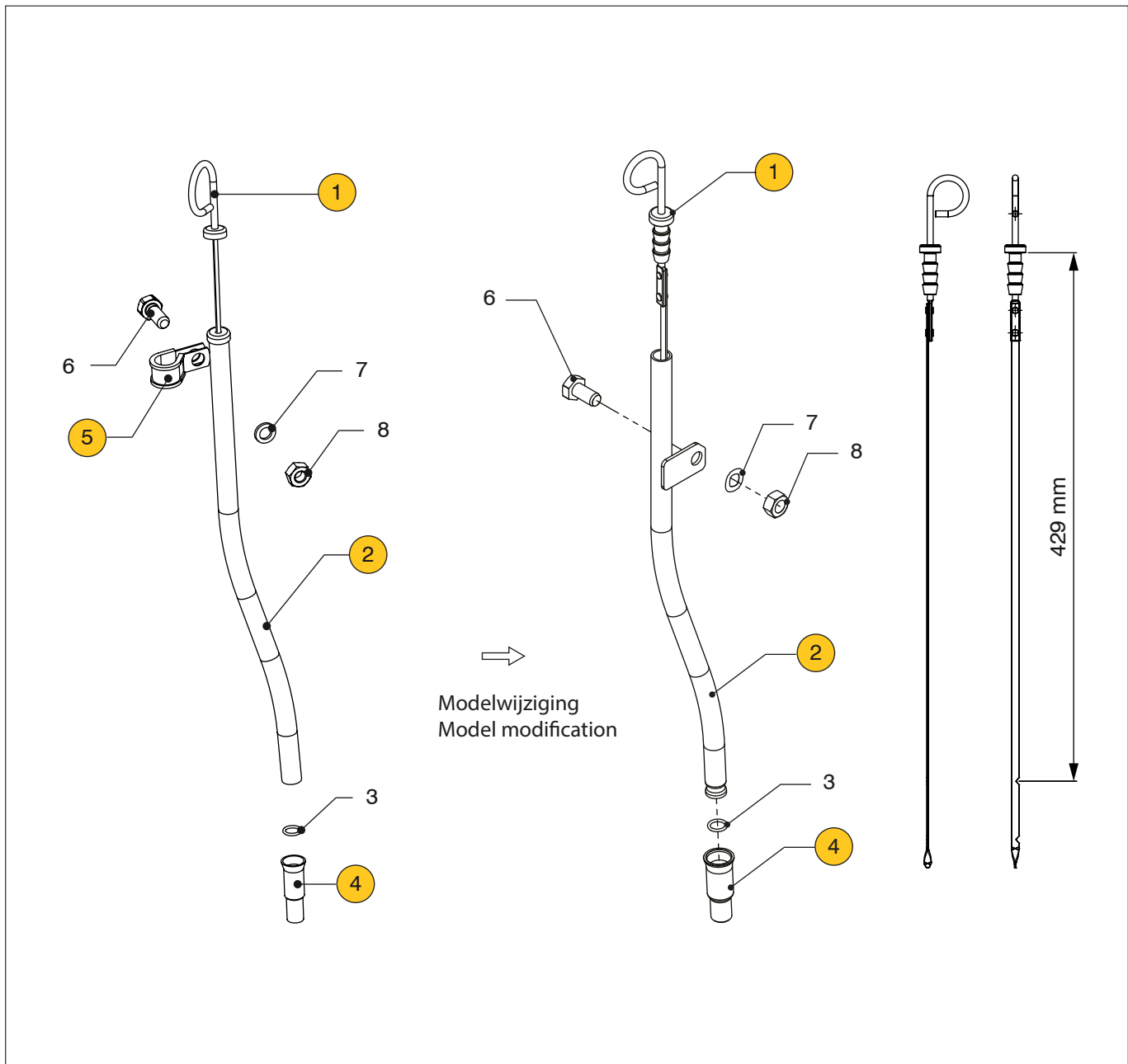
M4.15

M4.17

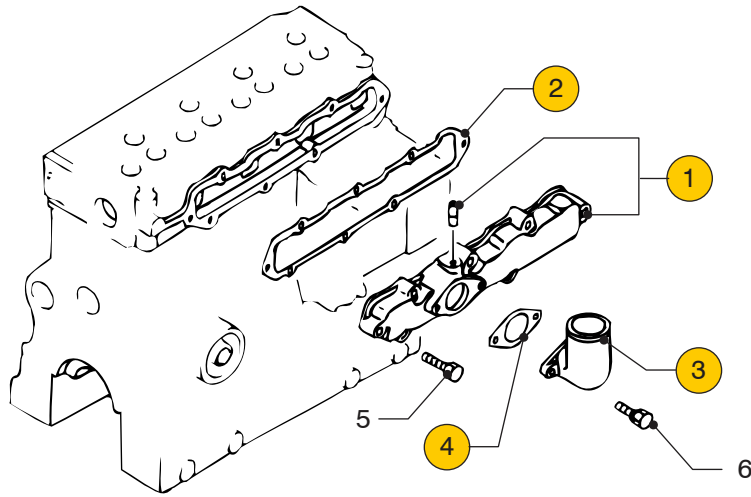
Oliepeilstok

Oil dipstick

| pos. | qty | part | benaming | description |
|------|-----|---------|---------------------|-------------------|
| 1 | 1 | STM7835 | Peilstok | Dipstick |
| 2 | 1 | STM7836 | Pijp | Pipe |
| 3 | 1 | STM7442 | Oliepeilstok | Oil dipstick |
| 4 | 2 | STM7435 | O-ring | O-ring |
| 5 | 1 | STM7484 | Pijp oliepeilstok | Pipe oil dipstick |
| 6 | 2 | STM1062 | Afdichtring | Seal washer |
| 7 | 1 | STM7443 | Banjo bout | Banjo bolt |
| 8 | 1 | STM6305 | Klem | Clamp |
| 9 | 1 | STM7458 | Schroef M8x20 | Screw M8x20 |
| 10 | 1 | STM7472 | Afstandhouder L=122 | Spacer L=122 |



| M4.35 | | M4.45 | | Oliepeilstok | Oil dipstick |
|-------|-----|----------|----------------------|-----------------------|--------------|
| pos. | qty | part | benaming | description | |
| 1 | 1 | 08-01370 | Oliepeilstok | Oil dipstick | |
| 2 | 1 | 08-01331 | Pijp oliepeilstok | Pipe oil dipstick | |
| 3 | 1 | 08-01373 | O-ring | O-ring | |
| 4 | 1 | 08-01374 | Bus | Bush | |
| 5 | 1 | STM3066 | Klem | Clamp | |
| 6 | 1 | STM1610 | Bout M8x25 | Bolt M8x25 | |
| 7 | 1 | STM1019 | Gegolfde veerring M8 | Wave spring washer M8 | |
| 8 | 1 | STM2005 | Moer M8 | Nut M8 | |



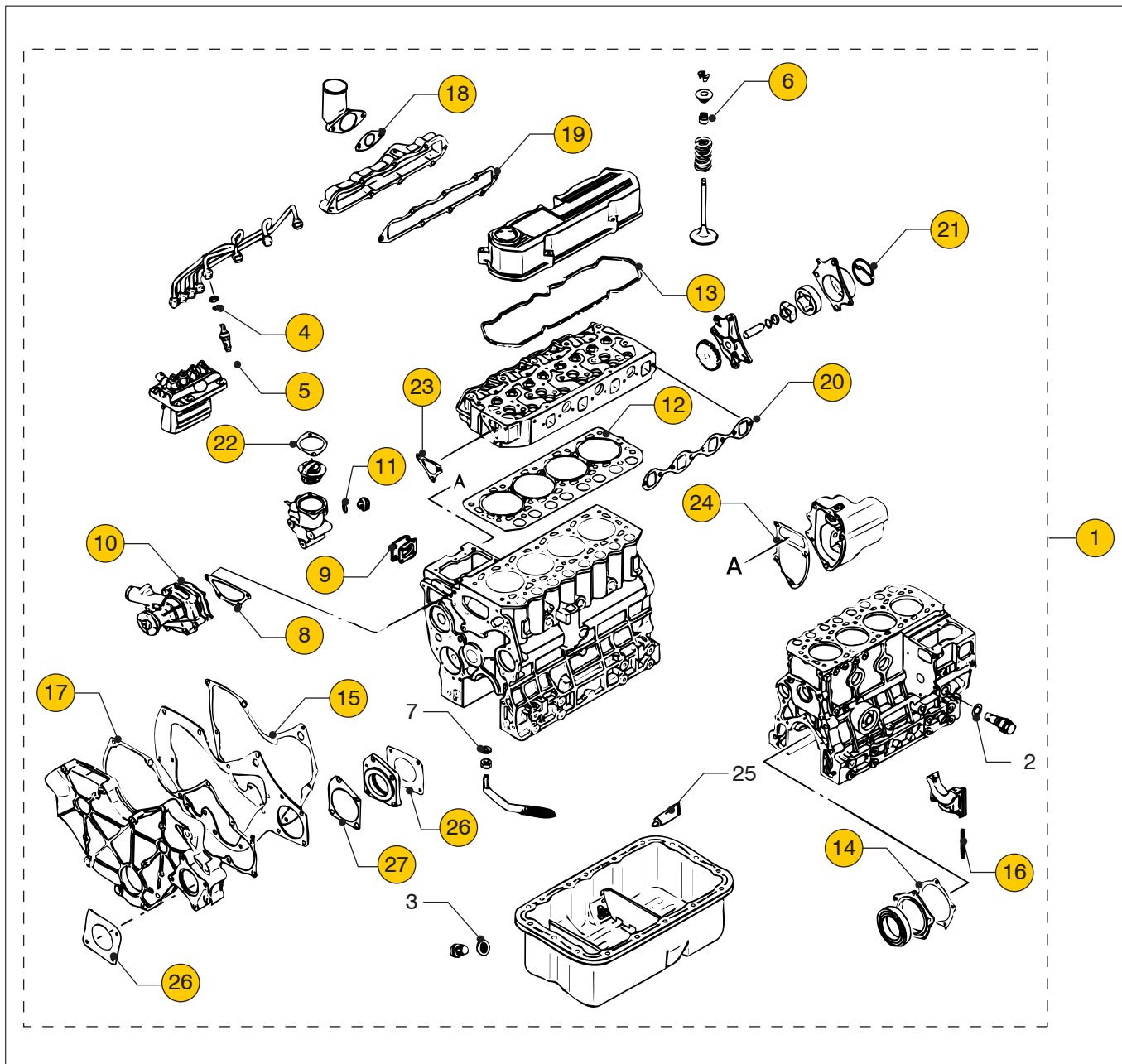
M4.15

M4.17

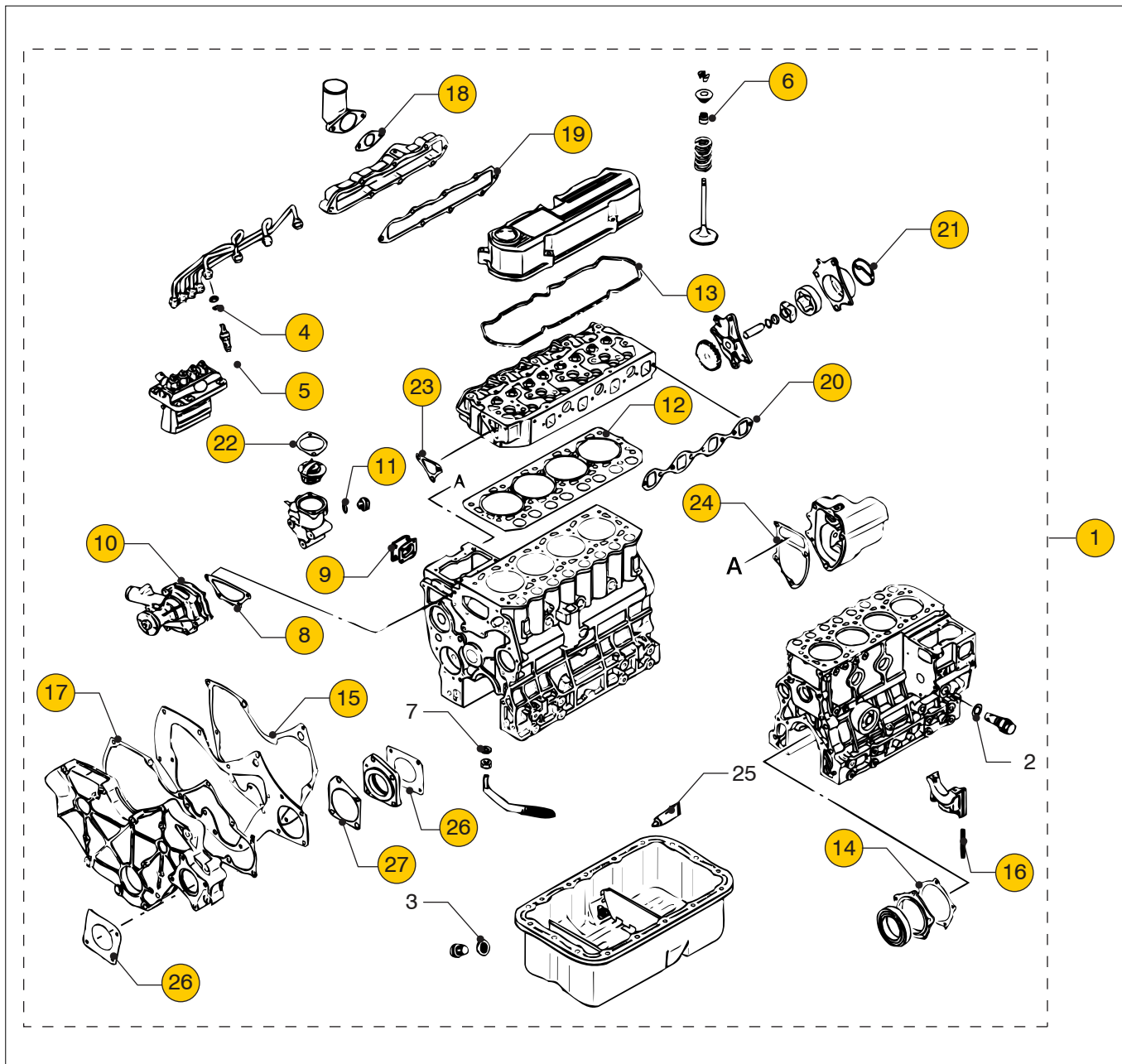
Luchtinlaat

Airintake

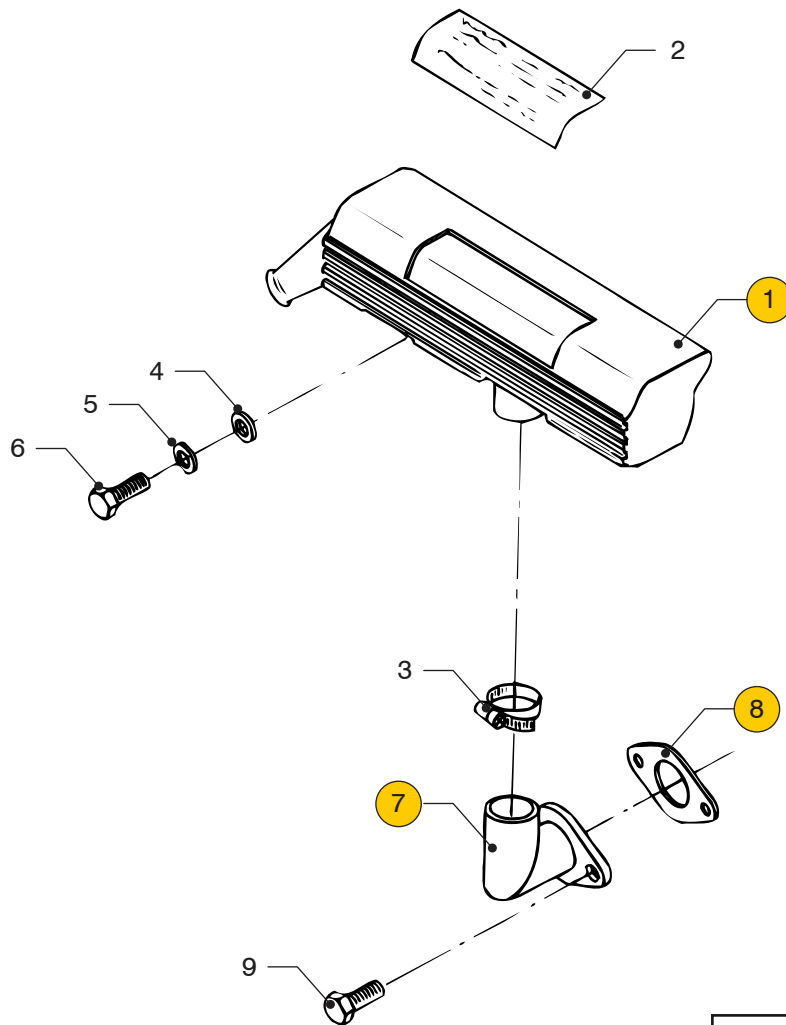
| pos. | qty | part | benaming | description |
|------|-----|---------|-------------|-------------|
| 1 | 1 | STM7819 | Deksel cpl. | Cover cpl. |
| 2 | 1 | STM7820 | Pakking | Gasket |
| 3 | 1 | STM7821 | Pijp | Pipe |
| 4 | 1 | STM7822 | Pakking | Gasket |
| 5 | 8 | STM7823 | Bout | Bolt |
| 6 | 2 | STM7824 | Bout | Bolt |



| | | M4.15 M4.35 | M4.17 M4.45 | Revisie pakkingset | Overhaul gasket kit |
|------|-----|----------------|----------------|--------------------------|--------------------------|
| pos. | qty | part | | benaming | description |
| 1 | 1 | STM7965 | | Pakkingset M4.15 / M4.17 | Gasket kit M4.15 / M4.17 |
| 2 | 1 | STM7963 | | Pakking | Gasket |
| 3 | 1 | STM7784 | | Pakking | Gasket |
| 4 | 4 | STM1303 | | Pakking | Gasket |
| 5 | 4 | STM1299 | | Pakking | Gasket |
| 6 | 8 | STM2589 | | Afdichting | Seal |
| 7 | 1 | STM2672 | | Pakking | Gasket |
| 8 | 1 | STM2678 | | Pakking | Gasket |
| 9 | 1 | STM2734 | | Pakking | Gasket |
| 10 | 1 | STM2682 | | Pakking | Gasket |
| 11 | 3 | STM7953 | | Pakking | Gasket |
| 12 | 1 | STM7709 | | Pakking | Gasket |
| 13 | 1 | STM7734 | | Pakking | Gasket |
| 14 | 1 | STM7761 | | Pakking | Gasket |
| 15 | 1 | STM7771 | | Pakking | Gasket |
| 16 | 4 | STM7755 | | Afdichting | Seal |



| M4.15 M4.35 | | M4.17 M4.45 | | Revisie pakkingset | Overhaul gasket kit |
|----------------|-----|----------------|-------------------|--------------------|---------------------|
| pos. | qty | part | benaming | description | |
| 17 | 1 | STM7774 | Pakking | Gasket | |
| 18 | 1 | STM7822 | Pakking | Gasket | |
| 19 | 1 | STM7820 | Pakking | Gasket | |
| 20 | 1 | STM7825 | Pakking | Gasket | |
| 21 | 1 | STM7821 | Pakking | Gasket | |
| 22 | 1 | STM7855 | Pakking | Gasket | |
| 23 | 1 | STM7856 | Pakking | Gasket | |
| 24 | 1 | STM7918 | Pakking | Gasket | |
| 25 | 1 | STM7964 | Pakking vloeibaar | Gasket liquid | |
| 26 | 2 | STM2526 | Pakking | Gasket | |
| 27 | 1 | STM7777 | Pakking | Gasket | |

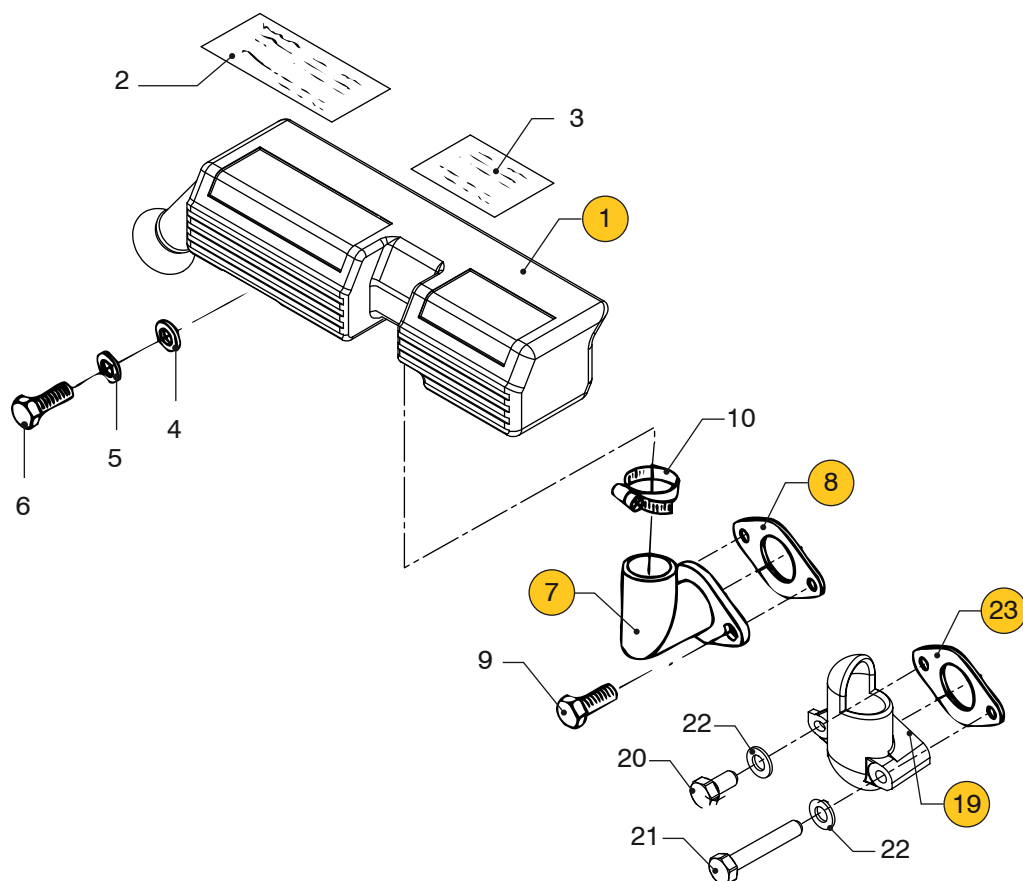


06-2009 <-

M4.15 M4.17 Luchtinlaatkast 06-2009 <-

Air intake housing 06-2009 <-

| pos. | qty | part | benaming | description |
|------|-----|---------|------------------|--------------------|
| 1 | 1 | STM9474 | Luchtinlaatkast | Air intake housing |
| 2 | 1 | STM7589 | Sticker M4.15 | Sticker M4.15 |
| | 1 | STM7574 | Sticker M4.17 | Sticker M4.17 |
| 3 | 1 | STM3012 | Slangklem 38-50 | Hoseclamp 38-50 |
| 4 | 1 | STM3749 | Ring M8 | Washe M8 |
| 5 | 1 | STM1056 | Veerring M8 | Spring washer M8 |
| 6 | 1 | STM1651 | Bout M8x1,25x35 | Nut M8x1.25x35 |
| 7 | 1 | STM7821 | Luchtinlaatbocht | Air intake elbow |
| 8 | 1 | STM7822 | Pakking | Gasket |
| 9 | 2 | STM7824 | Bout | Bolt |

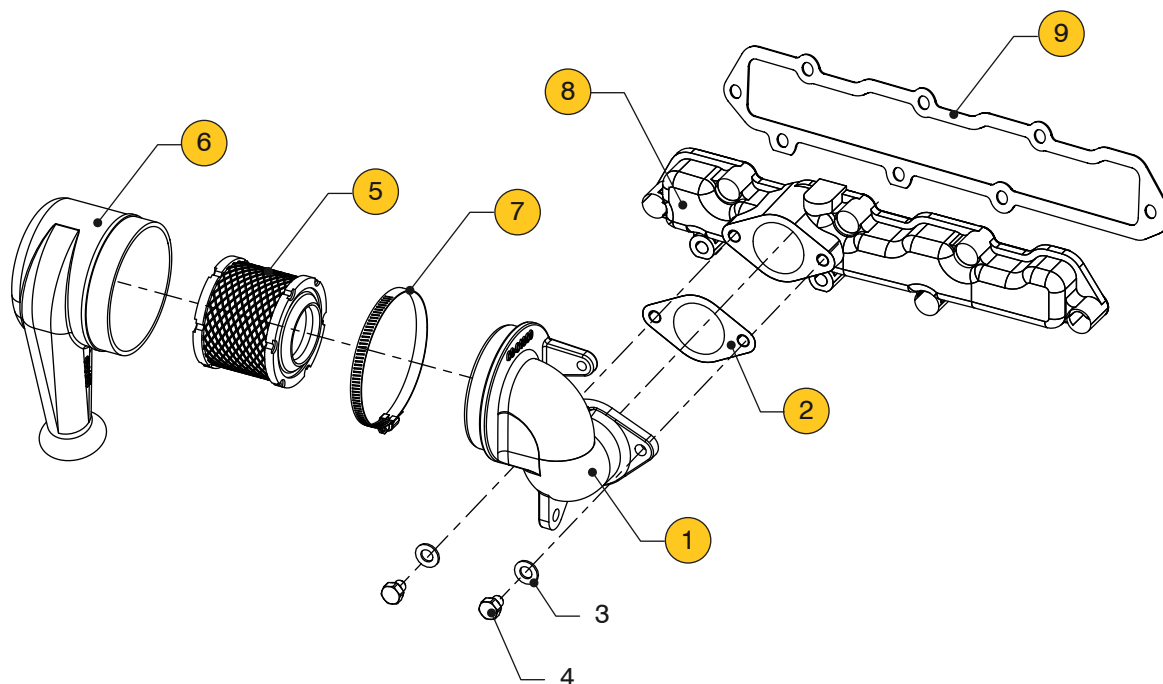


06-2009 ->

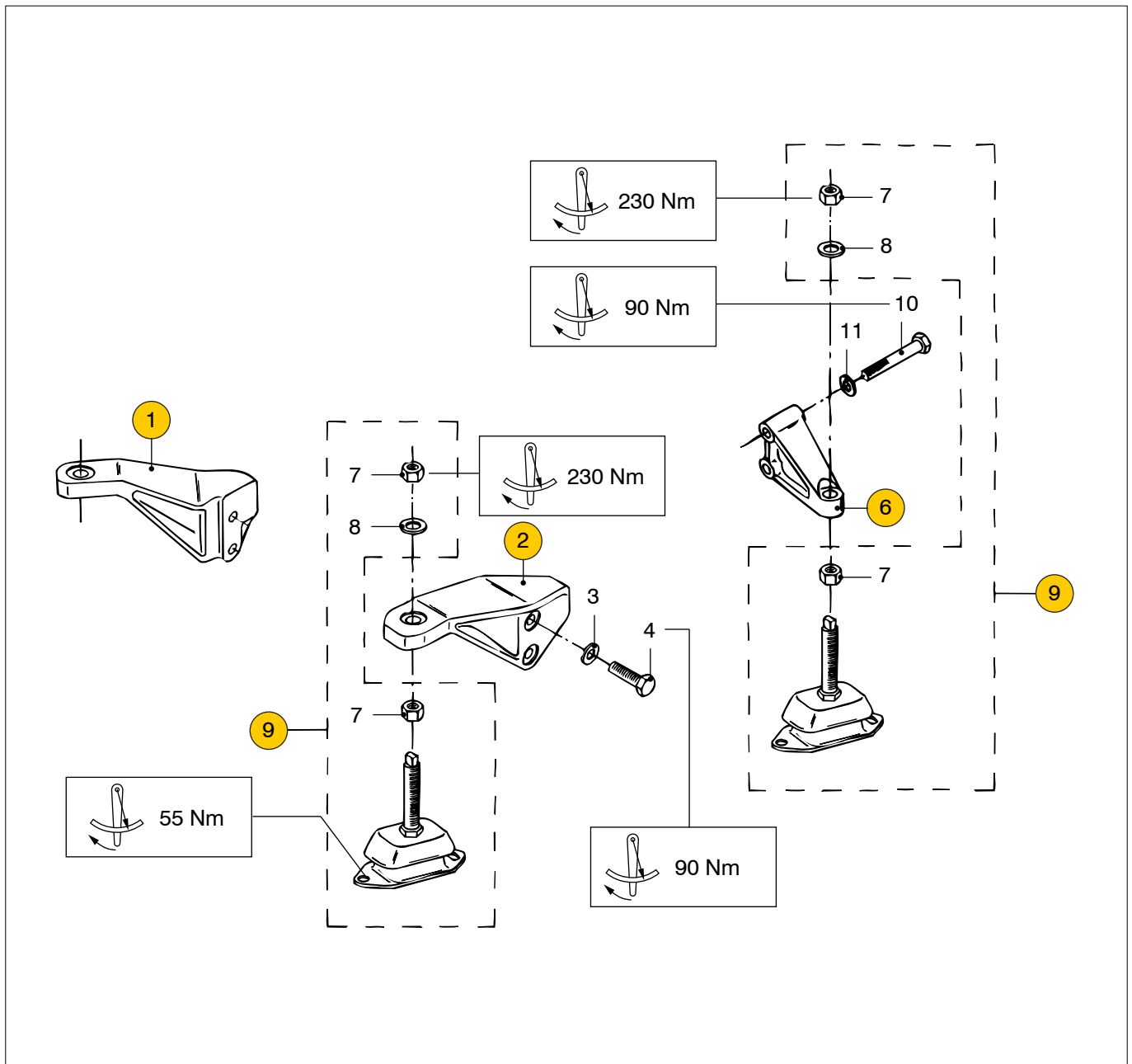
M4.15 M4.17 Luchtinlaatkast 06-2009 ->

Air intake housing 06-2009 ->

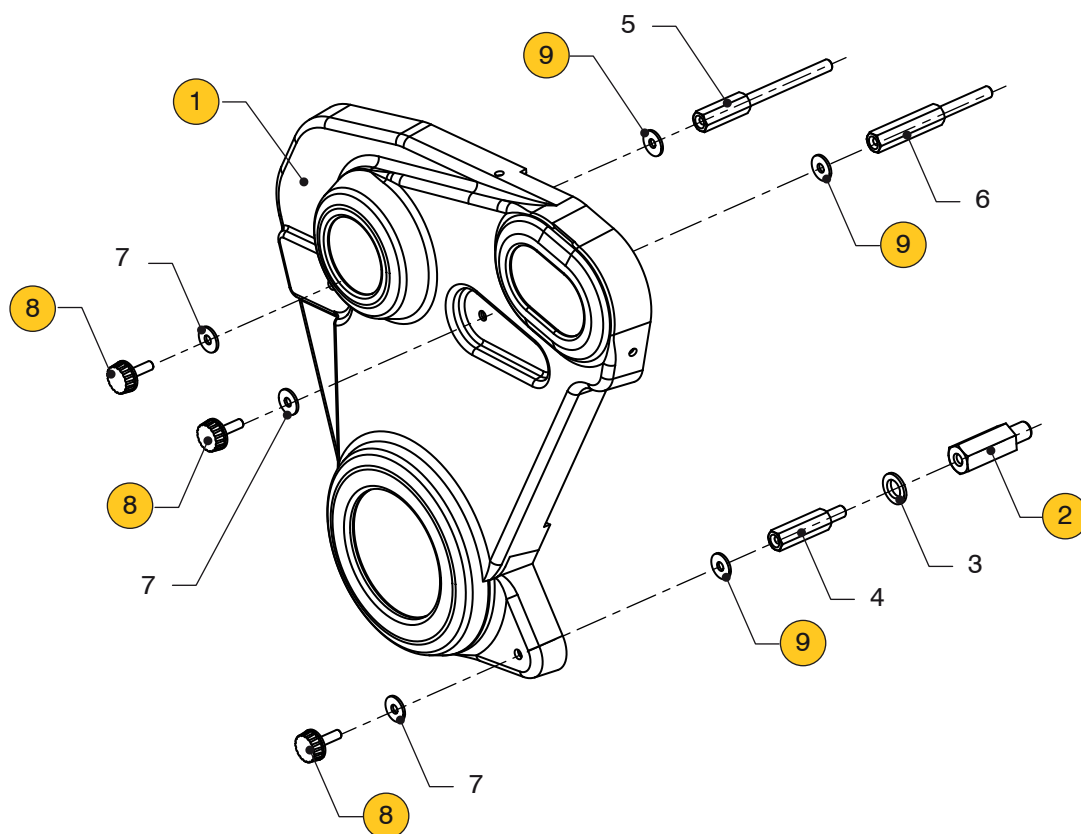
| pos. | qty | part | benaming | description |
|------|-----|----------|-----------------------------------|-----------------------------------|
| 1 | 1 | STM9474 | Luchtinlaatkast 03-2009 -> | Air intake housing 03-2009 -> |
| 2 | 1 | STM9476 | Sticker technische gegevens | Sticker technical data |
| 3 | 1 | STM9896 | Sticker M4.15 | Sticker M4.15 |
| | 1 | STM9897 | Sticker M4.17 | Sticker M4.17 |
| 4 | 1 | STM3749 | Ring M8 | Washer M8 |
| 5 | 1 | STM1056 | Veerring M8 | Spring washer M8 |
| 6 | 1 | STM1651 | Bout M8x1,25x35 | Nut M8x1.25x35 |
| 7 | 1 | STM7821 | Luchtinlaatbocht M4.15 | Air intake elbow M4.15 |
| | | | Luchtinlaatbocht M4.17 06-2012 <- | Air intake elbow M4.17 06-2012 <- |
| 8 | 1 | STM7822 | Pakking | Gasket |
| 9 | 2 | STM7824 | Bout | Bolt |
| 10 | 1 | STM3012 | Slangklem 38-50 | Hoseclamp 38-50 |
| 19 | 1 | 08-01181 | Luchtinlaatbocht M4.17 06-2012 -> | Air intake elbow M4.17 06-2012 -> |
| 20 | 1 | STM3355 | Bout M8x20 | Bolt M8x20 |
| 21 | 1 | STM1052 | Bout M8x65 | Bolt M8x65 |
| 22 | 2 | STM1019 | Gegolfde veerring M8 | Wave spring washer M8 |
| 23 | 1 | 08-01237 | Pakking | Gasket |



| | | Luchtfilter | | Air cleaner | |
|------|-------|-------------|----------------------|-----------------------|--|
| | M4.35 | M4.45 | | | |
| pos. | qty | part | benaming | description | |
| 1 | 1 | 08-01309 | Luchtinlaat bocht | Air intake elbow | |
| 2 | 1 | 08-01237 | Pakking | Gasket | |
| 3 | 2 | STM1019 | Gegolfde veerring M8 | Wave spring washer M8 | |
| 4 | 2 | STM3355 | Bout M8x20 | Bolt M8x20 | |
| 5 | 1 | 08-01308 | Luchtfiler element | Air cleaner element | |
| 6 | 1 | 08-01267 | Luchtfiler behuizing | Air cleaner case | |
| 7 | 1 | HCS75 | Slangklem 70-90 | Hose clamp 70-90 | |
| 8 | 1 | 08-01409 | Deksel cpl. | Cover cpl. | |
| 9 | 1 | STM7820 | Pakking | Gasket | |
| | | | | | |
| | | | | | |
| | | | | | |
| | | | | | |
| | | | | | |



| M4.15 M4.35 | | M4.17 M4.45 | Motorsteunen | Engine supports |
|----------------|-----|----------------|-----------------------|-------------------------|
| pos. | qty | part | benaming | description |
| 1 | 1 | STM7570 | Motorsteun SB | Engine support SB |
| 2 | 1 | STM7571 | Motorsteun BB | Engine support PS |
| 3 | 8 | STM4056 | Gegolfde veerring M12 | Wave spring washer M12 |
| 4 | 4 | STM4060 | Bout M12x1,25x35 | Bolt M12x1.25x35 |
| 5 | 2 | STM4010 | Moer M16x1,5 | Nut M16x1.5 |
| 6 | 2 | STM7584 | Motorsteun SB-BB | Engine support SB-PS |
| 7 | 4 | STM7595 | Bout M12x1,75x65 | Bolt M12x1.75x65 |
| 8 | 1 | STM4011 | Ring M16 | Washer M16 |
| 9 | 4 | KSTEUN75 | Trillingdemper | Engine mount |
| 10 | 4 | STM7595 | Bout M12x1,75x65 | Bolt M12x1.75x65 |
| 11 | 4 | STM4056 | Gegolfde veerring M12 | Waved spring washer M12 |

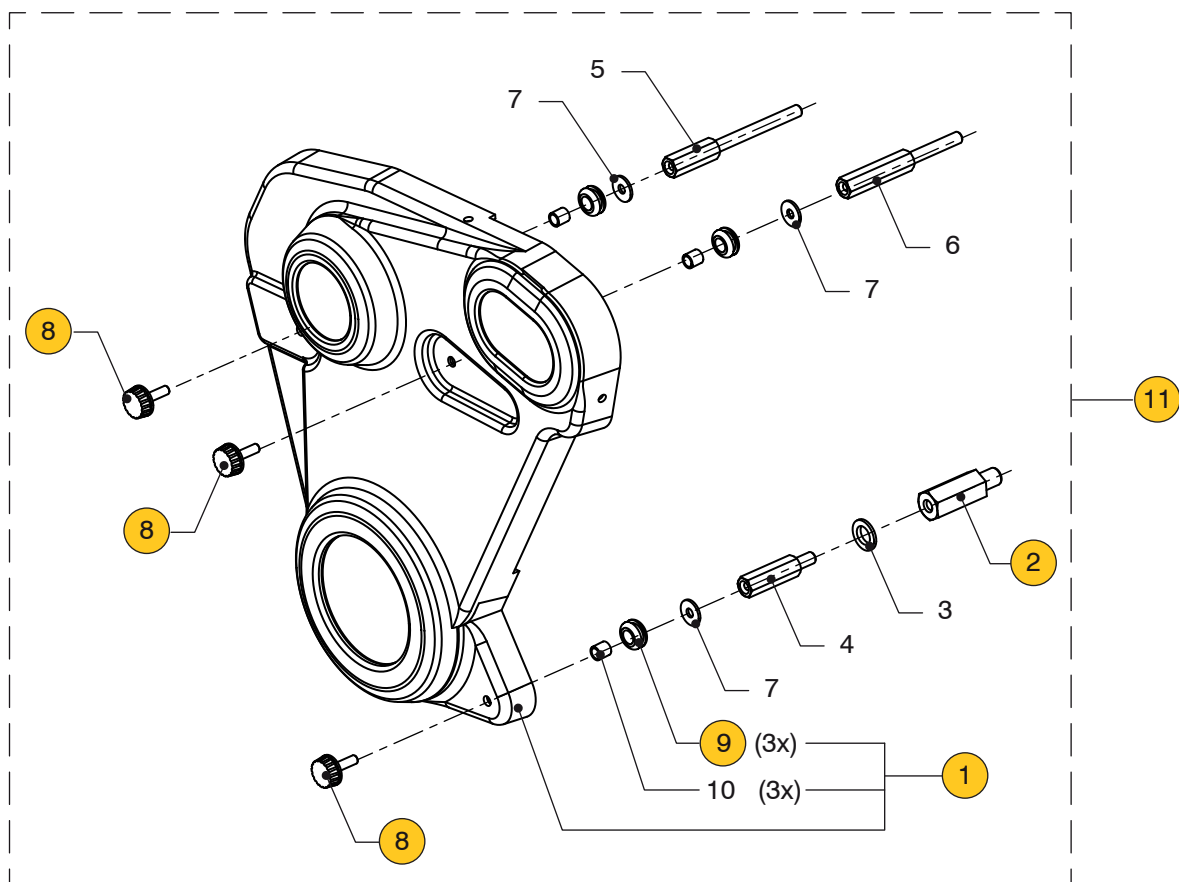


Afschermkap 2016-04 <-

Protection cover 2016-04 <-

M4.35 M4.45

| pos. | qty | part | benaming | description |
|------|-----|----------|------------------|------------------|
| 1 | 1 | 08-01329 | Afschermkap | Protection cover |
| 2 | 1 | STM9860 | Afstandsstuk | Stud |
| 3 | 1 | CT30059 | Ring d=4 | Washer d=4 |
| 4 | 1 | 08-01327 | Afstandsstuk | Stud |
| 5 | 1 | 08-01328 | Afstandsstuk | Stud (10 Nm) |
| 6 | 1 | 08-01325 | Afstandsstuk | Stud (10 Nm) |
| 7 | 3 | STM8726 | Ring M6 3D | Washer M6 3D |
| 8 | 3 | DM10019 | Draaiknop | Turning knob |
| 9 | 3 | 08-01292 | Anti verliesring | Anti-loss ring |

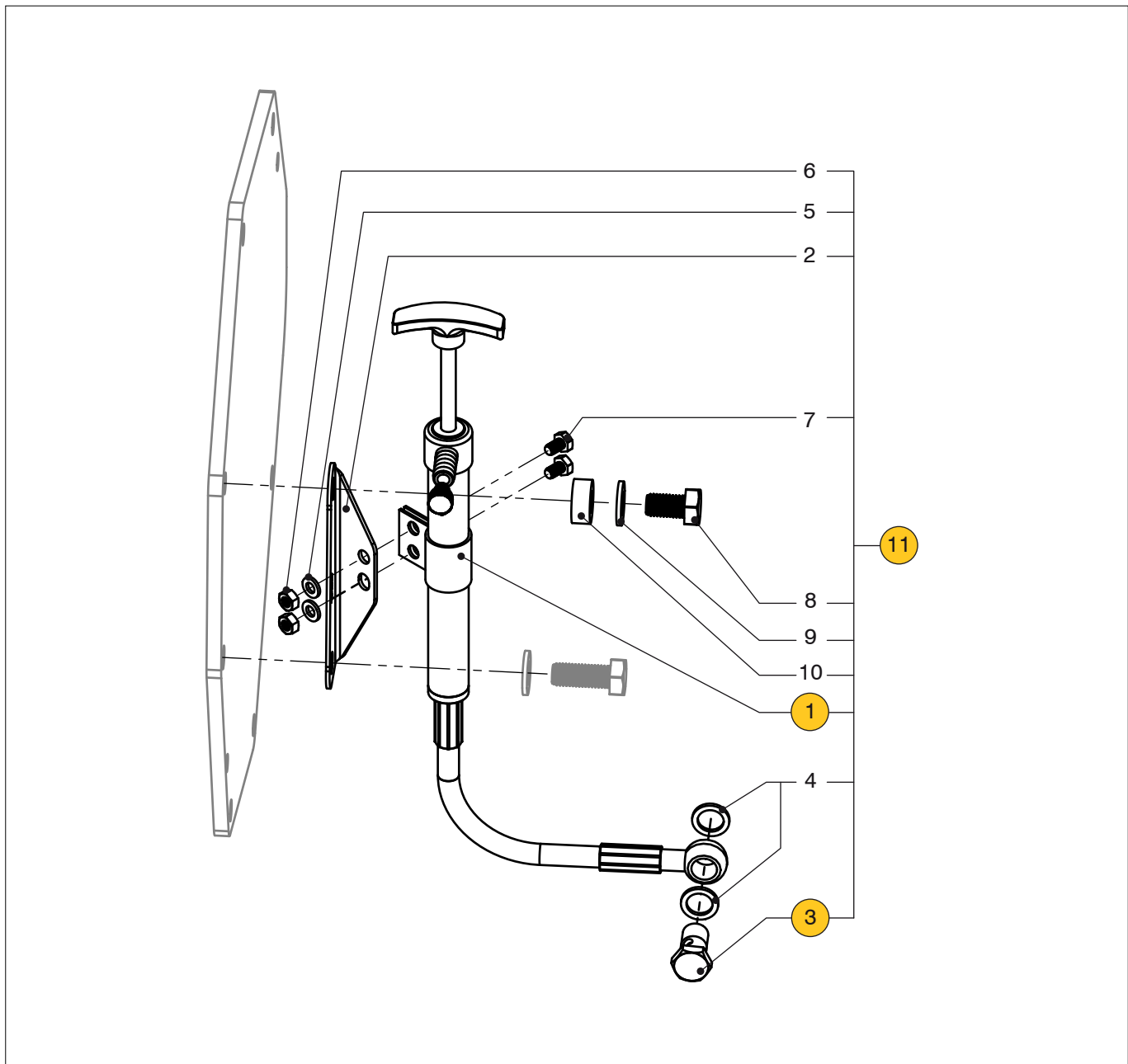


Afschermkap 2016-04 ->

Protection cover 2016-04 ->

M4.35 M4.45

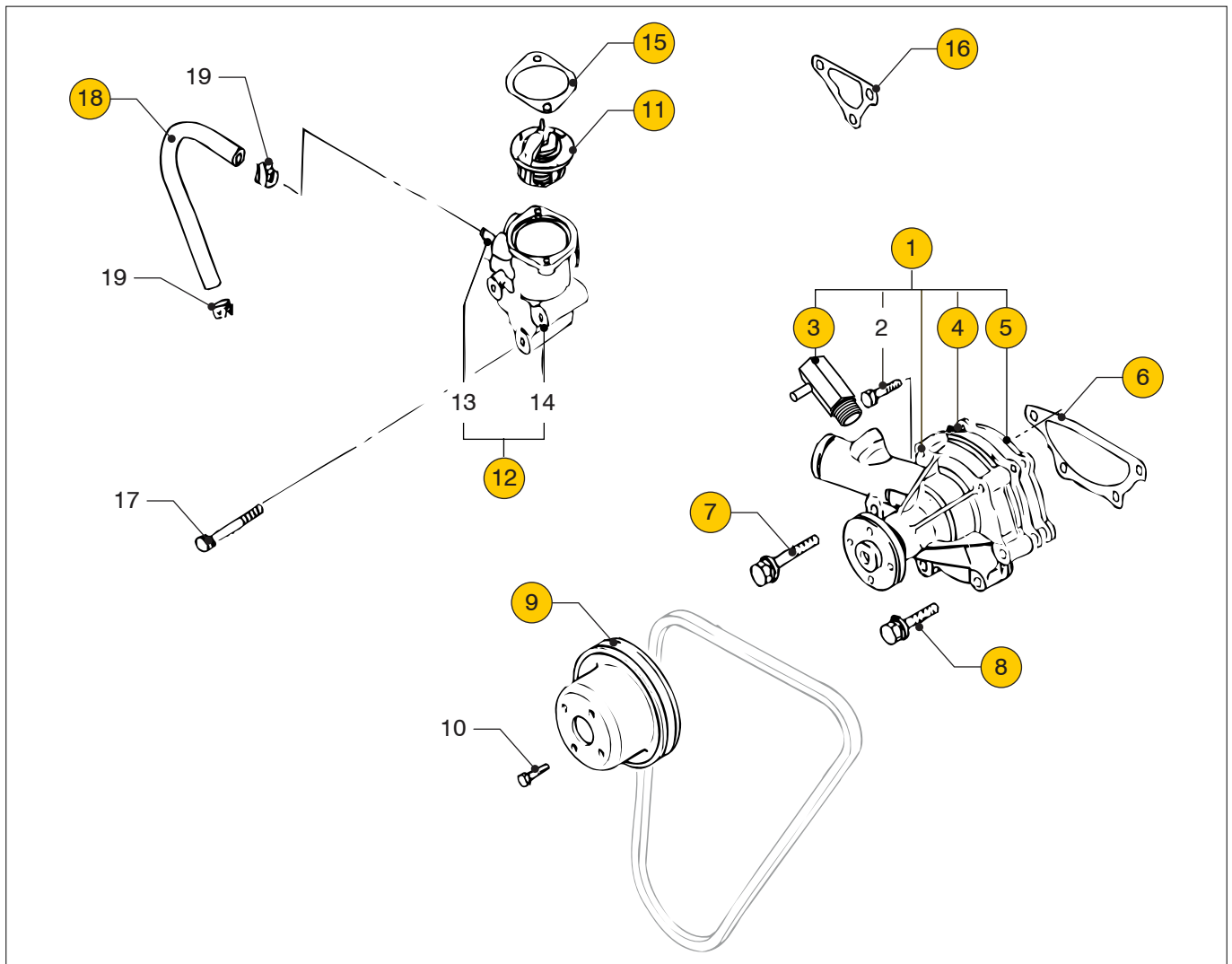
| pos. | qty | part | benaming | description |
|------|-----|--------------|---------------------------|------------------------------|
| 1 | 1 | 08-01329 | Afschermkap | Protection cover |
| 2 | 1 | STM9860 | Afstandsstuk | Stud |
| 3 | 1 | CT30059 | Ring d=4 | Washer d=4 |
| 4 | 1 | 08-01327 | Afstandsstuk | Stud |
| 5 | 1 | 08-01328 | Afstandsstuk | Stud (10 Nm) |
| 6 | 1 | 08-01325 | Afstandsstuk | Stud (10 Nm) |
| 7 | 3 | STM8726 | Ring M6 3D | Washer M6 3D |
| 8 | 3 | DM10019 | Draaiknop | Turning knob |
| 9 | 3 | 08-01495 | Rubber doorvoer | Rubber grommet |
| 10 | 3 | 08-01496 | Bus | Bush |
| 11 | 1 | VBELTCOVERM4 | Set afschermkap compl. M4 | Set protection cover cpl. M4 |



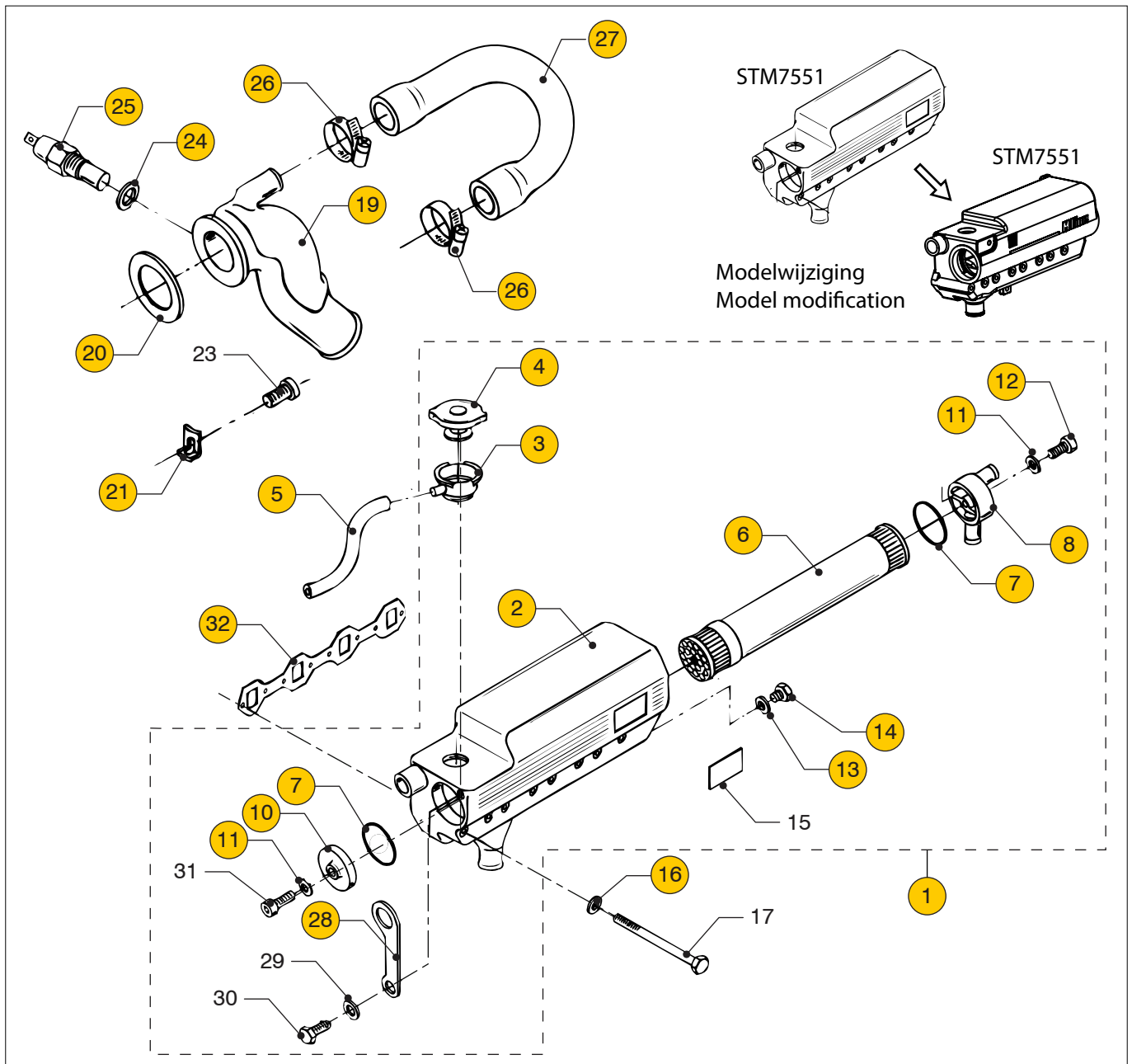
Olieaftappomp

Oil drain pump

| M4.35 | | M4.45 | | | |
|-------|-----|---------|------------------------------------|--|-----------------------|
| pos. | qty | part | benaming | | description |
| 1 | 1 | 15-2624 | Pomp + slang met banjo aansluiting | | Pump compl. with hose |
| 2 | 1 | 15-2520 | Steun | | Support |
| 3 | 1 | STM7443 | Banjo-bout M14 | | Banjo bolt M14 |
| 4 | 2 | STM1062 | Afdichtring M14 | | Seal washer M14 |
| 5 | 2 | STM1019 | Veerring M8 | | Spring washer M8 |
| 6 | 2 | STM2005 | Moer M8 | | Nut M8 |
| 7 | 2 | STM4055 | Bout M8 x 16 | | Bolt M8 x 16 |
| 8 | 1 | 15-2978 | Bout M12 x 1,25 x 20 | | Bolt M12 x 1,25 x 20 |
| 9 | 1 | STM4003 | Veerring M12 | | Spring washer M12 |
| 10 | 1 | 15-2976 | Vulbus M12 | | Spacer M12 |
| 11 | 1 | 15-2992 | Set compleet | | Kit cpl. |



| | | M4.15 M4.35 | M4.17 M4.45 | Circulatiepomp | Circulation pump |
|------|-----|----------------|----------------|---|---|
| pos. | qty | part | | benaming | description |
| 1 | 1 | STM7843 | | Circulatiepomp cpl. | Circulation pump cpl. |
| 2 | 2 | STM7844 | | Bout | Bolt |
| 3 | 1 | STM7845 | | Nippel | Nipple |
| | 1 | SLP3/815 | | Slangpilaar (tbv extra dynamo 06-2009 ->) | Hose pillar (for extra alternator 06-2009 ->) |
| 4 | 1 | STM2682 | | Pakking | Gasket |
| 5 | 1 | STM2683 | | Plaat | Plate |
| 6 | 1 | STM2678 | | Pakking | Gasket |
| 7 | 3 | STM7847 | | Bout | Bolt |
| 8 | 1 | STM7848 | | Bout | Bolt |
| 9 | 1 | STM7849 | | Pulley | Pulley |
| 10 | 4 | STM7850 | | Bout | Bolt |
| 11 | 1 | STM7654 | | Thermostaat 76,5°C | Thermostat 76,5°C |
| 12 | 1 | STM7852 | | Thermostaathuis cpl. | Thermostat housing cpl. |
| 13 | 1 | STM7853 | | Pijp | Pipe |
| 14 | 1 | STM7854 | | Thermstaathuis | Thermostat housing |
| 15 | 1 | STM7855 | | Pakking | Gasket |
| 16 | 1 | STM7856 | | Pakking | Gasket |
| 17 | 3 | STM7857 | | Bout | Bolt |
| 18 | 1 | STM7858 | | Slang | Hose |
| | 1 | STM9440 | | Slang voor korte nippel 06-2009 -> | Hose for short nipple 06-2009 -> |
| 19 | 2 | STM7860 | | Klem | Clamp |



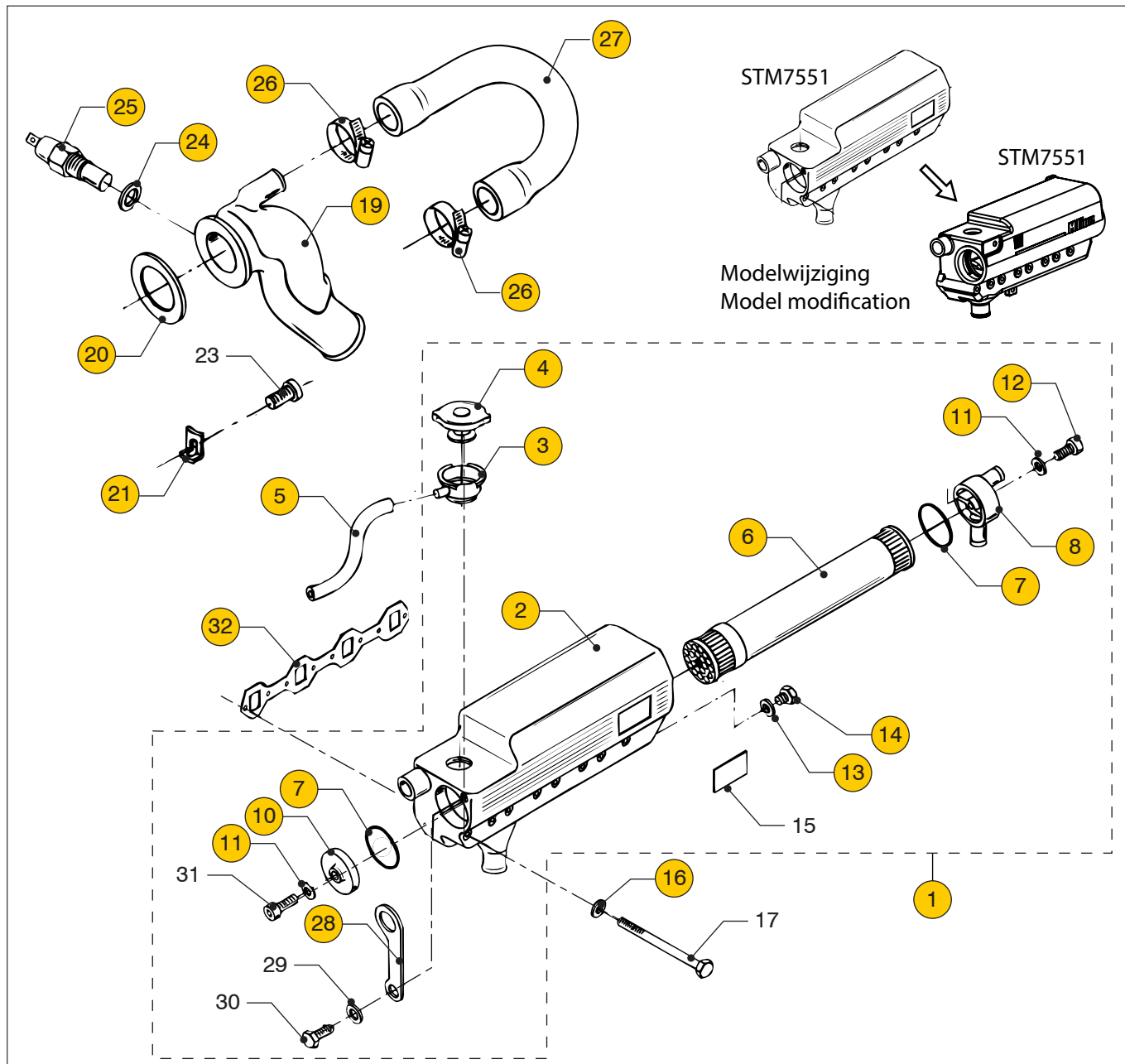
M4.15

M4.17

Warmtewisselaar unit

Heat exchanger unit

| pos. | qty | part | benaming | description |
|------|-----|----------|---------------------------|---------------------------|
| 1 | 1 | STM7552 | Warmtewisselaar compleet | Heat exchanger cpl. |
| 2 | 1 | STM7551 | Warmtewisselaarhuis | Heat exchanger housing |
| 3 | 1 | SETDOPM | Vulnek | Filler neck |
| 4 | 1 | STM1017 | Vuldop 0,5bar | Filler cap 0.5bar |
| 5 | 1 | STM1027 | Slang vulnek l=0,4mtr. | Hose fillerneck l=0.4mtr. |
| 6 | 1 | STM7555 | Pijpenbundel | Tube stack |
| 7 | 2 | STM6113 | O-ring 61x2,5 FPM (groen) | O-ring 61x2.5 FPM (green) |
| 8 | 1 | STM6503 | Aansluitdeksel | Cover |
| 10 | 1 | STM7446 | Deksel | Cover |
| 11 | 2 | 08-01108 | Fiber afdichtring | Fibre seal washer |
| 12 | 1 | STM1006 | Inbusbout M8x30 | Allen screw M8x30 |
| 13 | 1 | STM1062 | Afdichtring | Seal washer |
| 14 | 1 | STM1059 | Plug M14x1,5 | Plug M14x1.5 |
| 15 | 1 | STM6531 | Logo plaatje | Model plate |
| 16 | 8 | STM1019 | Gegolfde veerring M8 | Wave spring washer M8 |
| 17 | 8 | STM6121 | Bout M8x1,25x110 | Bolt M8x1.25x110 |



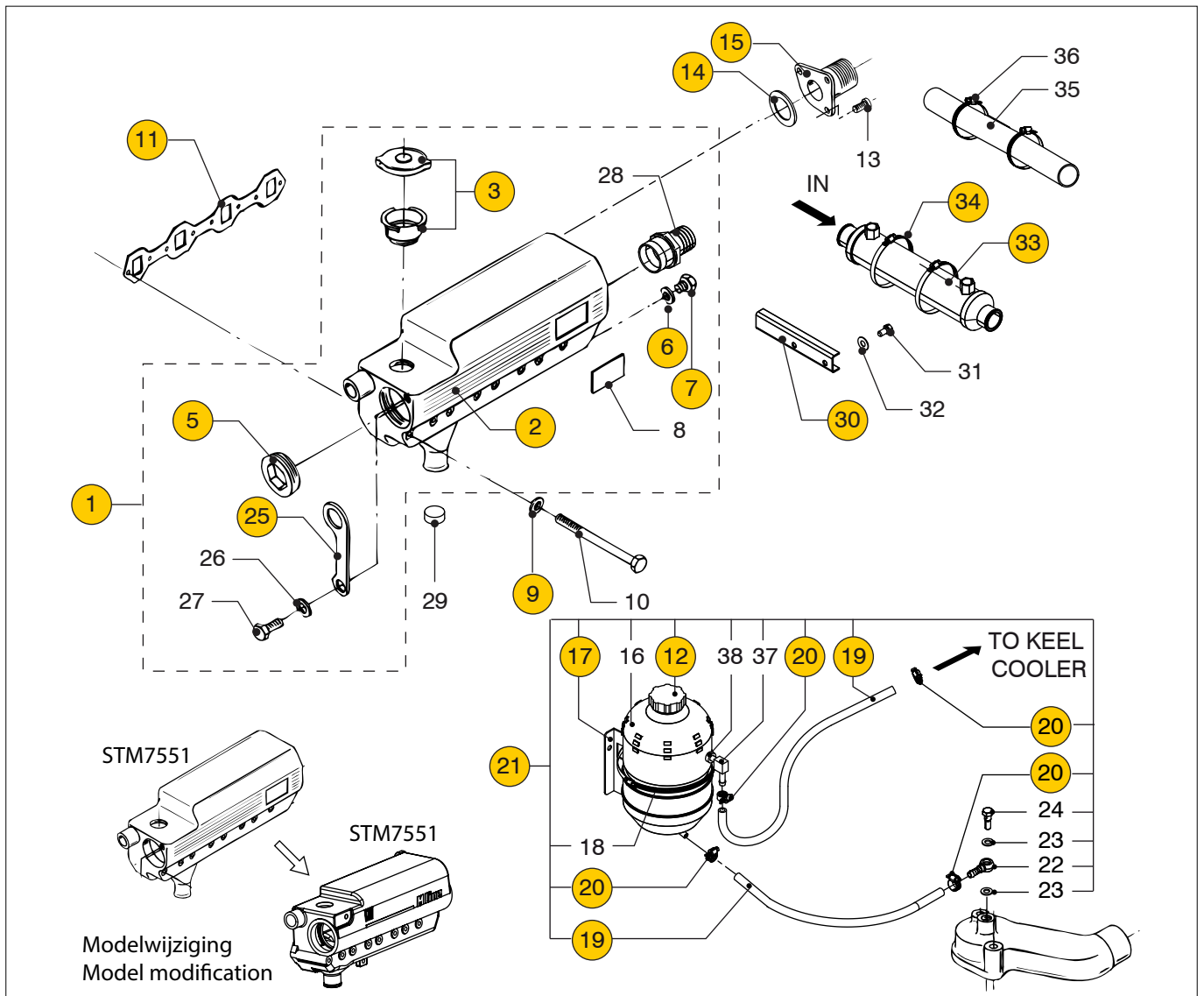
M4.15

M4.17

Warmtewisselaar unit

Heat exchanger unit

| pos. | qty | part | benaming | description |
|------|-----|---------|------------------------------------|----------------------------------|
| 19 | 1 | STM7557 | Uitlaatinjectiebocht ø50 | Exhaust inj.elbow ø50 |
| 20 | 1 | STM7558 | Pakking | Gasket |
| 21 | 3 | STM6126 | Kikkerplaatje | Clamp plate |
| 23 | 3 | STM6299 | Inbusbout M8x20 | Allen screw 8x20 |
| 24 | 1 | STM2019 | Afdichtring | Seal washer |
| 25 | 1 | STM2006 | Temperatuurschakelaar 75°C M18x1,5 | Thermoswitch 75°C M18x1,5 |
| 26 | 2 | STM2012 | Slangklem 19-29 | Hose clamp 19-29 |
| 27 | 1 | STM7585 | Slang ww <-> injectiebocht | Hose heatexchanger <-> inj.elbow |
| 28 | 1 | STM7710 | Hijsoog | Lifting eye |
| 29 | 1 | STM4014 | Veerring M10 | Spring washer |
| 30 | 1 | STM3705 | Bout M10x1,25x25 | Bolt M10x1.25x25 |
| 31 | 1 | STM7648 | Imbusbout M8 x 20 lage kop | Allen screw M8 x 20 low head |
| 32 | 1 | STM7825 | Pakking | Gasket |



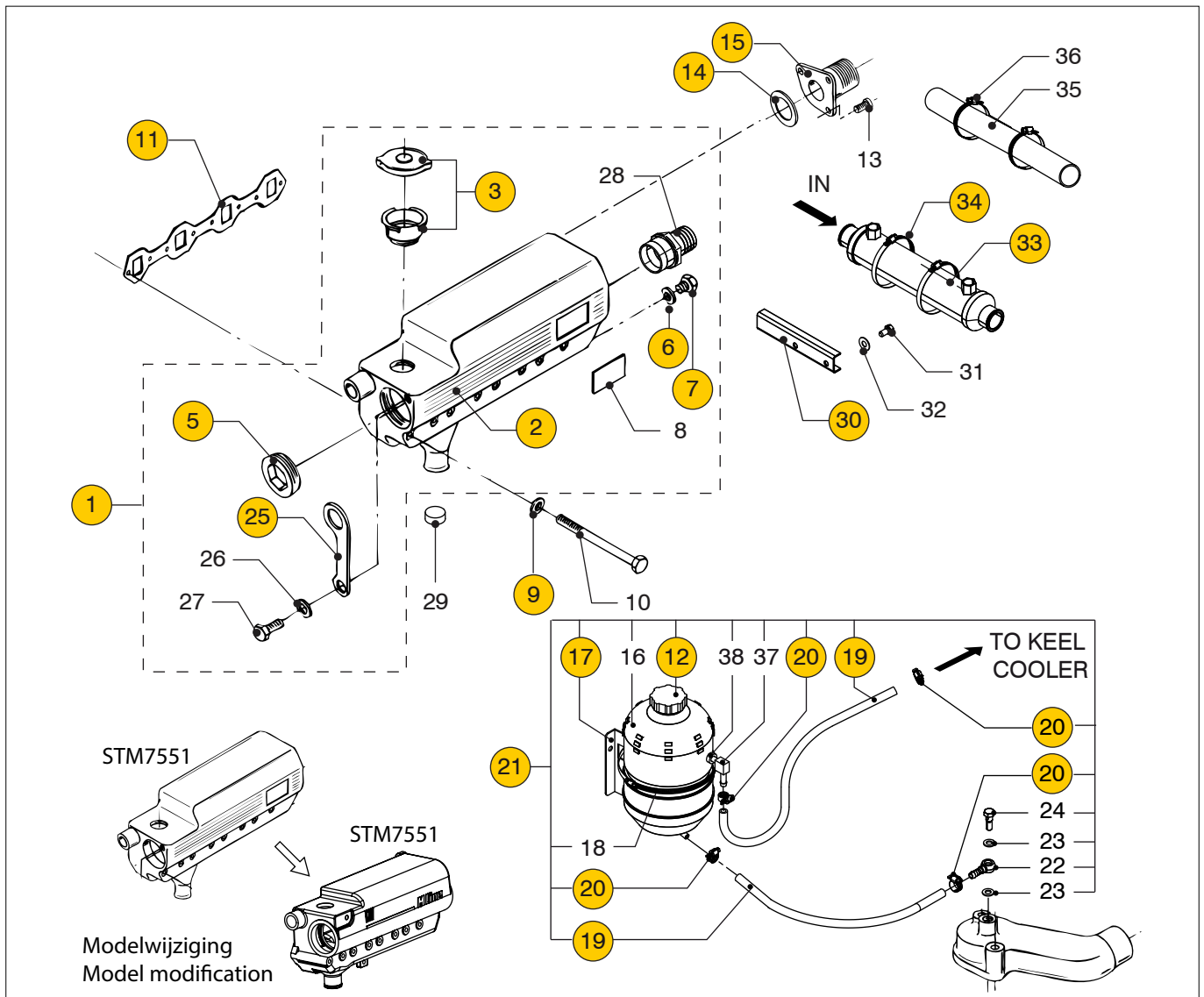
M4.15

M4.17

Kielkoelspruitstuk

Keel cooler manifold

| pos. | qty | part | benaming | description |
|------|-----|----------|-------------------------|---------------------------|
| 1 | 1 | STM7554 | Kielkoelspruitstuk cpl. | Keel cooler manifold cpl. |
| 2 | 1 | STM7553 | Kielkoelspruitstuk | Keel cooler manifold |
| 3 | 1 | SETDOPM | Vulnek | Filler neck |
| 5 | 1 | STM4043 | Plug G1 1/2 | Plug G1 1/2 |
| 6 | 1 | STM1062 | Afdichtring | Seal washer |
| 7 | 1 | STM1059 | Plug M14x1,5 | Plug M14x1.5 |
| 8 | 1 | STM6531 | Logo plaatje | Model plate |
| 9 | 8 | STM1019 | Gegolfde veerring M8 | Wave spring washer M8 |
| 10 | 8 | STM6121 | Bout M8x1,25x110 | Bolt M8x1.25x110 |
| 11 | 1 | STM7825 | Uitlaatpakking | Exhaust gasket |
| 12 | 1 | 08-01141 | Drukdop | Pressure cap |
| 13 | 3 | STM6299 | Inbusbout M8x20 | Allen screw M8x20 |
| 14 | 1 | STM7558 | Pakking | Gasket |
| 15 | 1 | STM7583 | Uitlaatflens G1 1/2 | Exhaust flange G1 1/2 |
| 16 | 1 | STM9513 | Expansietank | Headertank |
| 17 | 1 | STM9502 | Bevestigingsbeugel | Support |
| 18 | 1 | STM9503 | Slangklem 120-140 | Hoseclamp 120-140 |
| 19 | 2 | STM9504 | Slang l=1,5mtr. | Hose l=1.5mtr. |
| 20 | 4 | HCS08 | Slangklem mini 14 | Hoseclamp mini 14 |
| 21 | 1 | STM9514 | Expansietank compleet | Headertank cpl. |



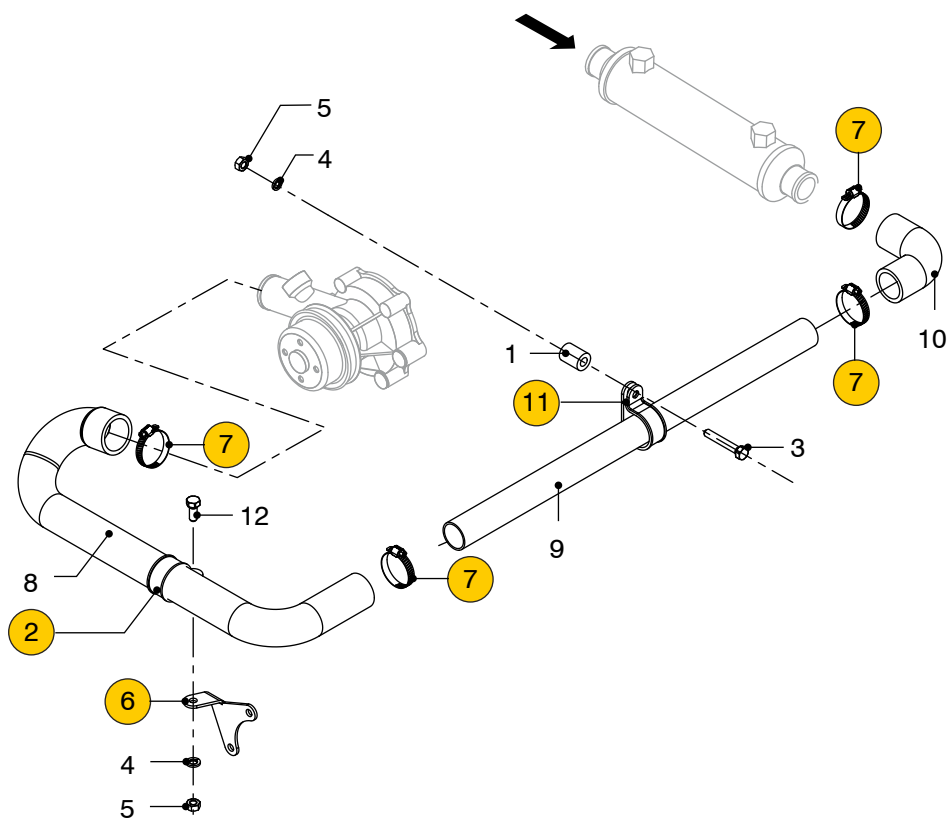
M4.15

M4.17

Kielkoelspruitstuk

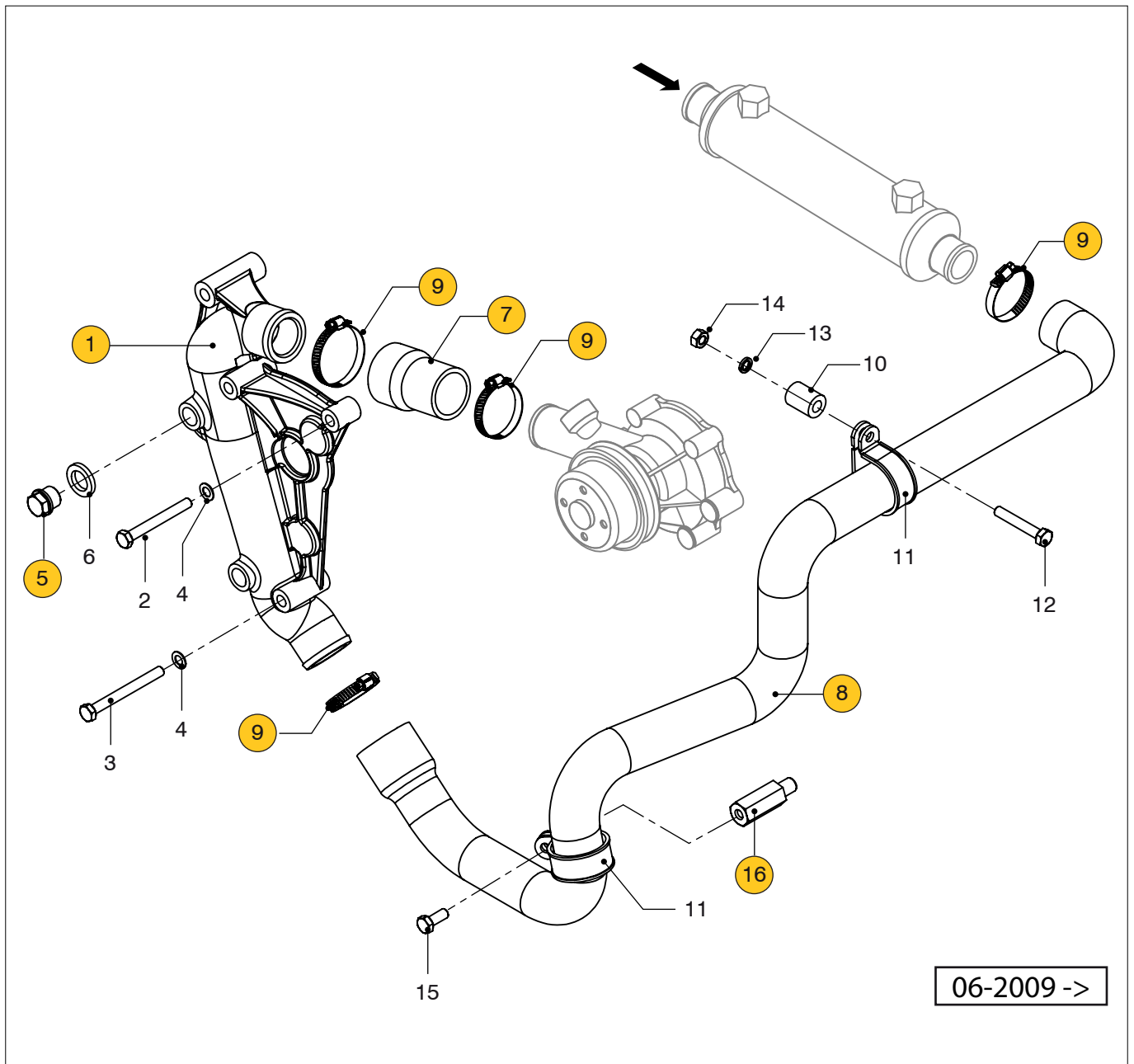
Keel cooler manifold

| pos. | qty | part | benaming | description |
|------|-----|----------|--|---|
| 22 | 1 | STM7587 | Banjo-oog | Banjo eye |
| 23 | 2 | STM2018 | Afdichtring | Seal washer |
| 24 | 1 | STM7586 | Banjo bout M8x1,25 | Banjo bolt M8x1.25 |
| 25 | 1 | STM7710 | Hijsoog | Lifting eye |
| 26 | 1 | STM4014 | Veerring M10 | Spring washer M10 |
| 27 | 1 | STM3705 | Bout M10x1,25x25 | Bolt M10x1.25x25 |
| 28 | 1 | STM7673 | Slangpilaar G 1 1/2 - ø32 | Hose pillar G 1 1/2 - ø32 |
| 29 | 1 | STM7679 | Plug M30x1,5 | Plug M30x1.5 |
| 30 | 1 | STM7568 | Bevestigingssteun | Support |
| 31 | 2 | STM3355 | Bout M8x1,25x20 | Bolt M8x1.25x20 |
| 32 | 2 | STM1056 | Veerring M8 | Spring washer M8 |
| 33 | 1 | STM3771 | Oliekoeler 9"xø55-G3/4-ø33 (Hydr. keerkopp.) | Oilcooler 9"xø55-G3/4-ø33 (Hydr. gearbox) |
| 34 | 2 | HCS75 | Slangklem 77-95 | Hose clamp 77-95 |
| 35 | 1 | 08-01005 | Pijp (Mechanische keerkoppeling) | Pipe (Mechanical gearbox) |
| 36 | 2 | STM3012 | Slangklem 40-60 | Hose clamp 40-60 |
| 37 | 1 | STM9512 | Slangpilaar | Hose pillar |
| 38 | 1 | STM9511 | Tule | Grommet |



06-2009 <-

| M4.15 | | M4.17 | | Aansluiting circulatiepomp, kielkoeling 06-2009 <- | Connection of circulation pump, keelcooling 06-2009 <- |
|-------|-----|---------|---|---|--|
| pos. | qty | part | benaming | description | |
| 1 | 1 | STM7674 | Bus | Bushing | |
| 2 | 1 | STM3061 | Klem RSGU1.35/20W1 | Clamp RSGU1.35/20W1 | |
| 3 | 1 | STM6561 | Bout M8x50 | Bolt M8x50 | |
| 4 | 2 | STM1056 | Veerring M8 | Spring washer M8 | |
| 5 | 2 | STM2005 | Moer M8 | Nut M8 | |
| 6 | 1 | STM7565 | Bev. steun | Support | |
| 7 | 4 | STM3005 | Slangklem 32-44 | Hoseclamp 32-44 | |
| 8 | 1 | STM7675 | Slang | Hose | |
| 9 | 1 | STM7676 | Pijp $\varnothing 28\text{-}\varnothing 32$ l=0,52 mtr. | Tube $\varnothing 28\text{-}\varnothing 32$ l=0.52 mtr. | |
| 10 | 1 | STM7677 | Slang | Hose | |
| 11 | 1 | STM7564 | Klem RSGU1.30/20W1 | Clamp RSGU1.30/20W1 | |
| 12 | 1 | STM3355 | Bout M8x20 | Bolt M8x20 | |



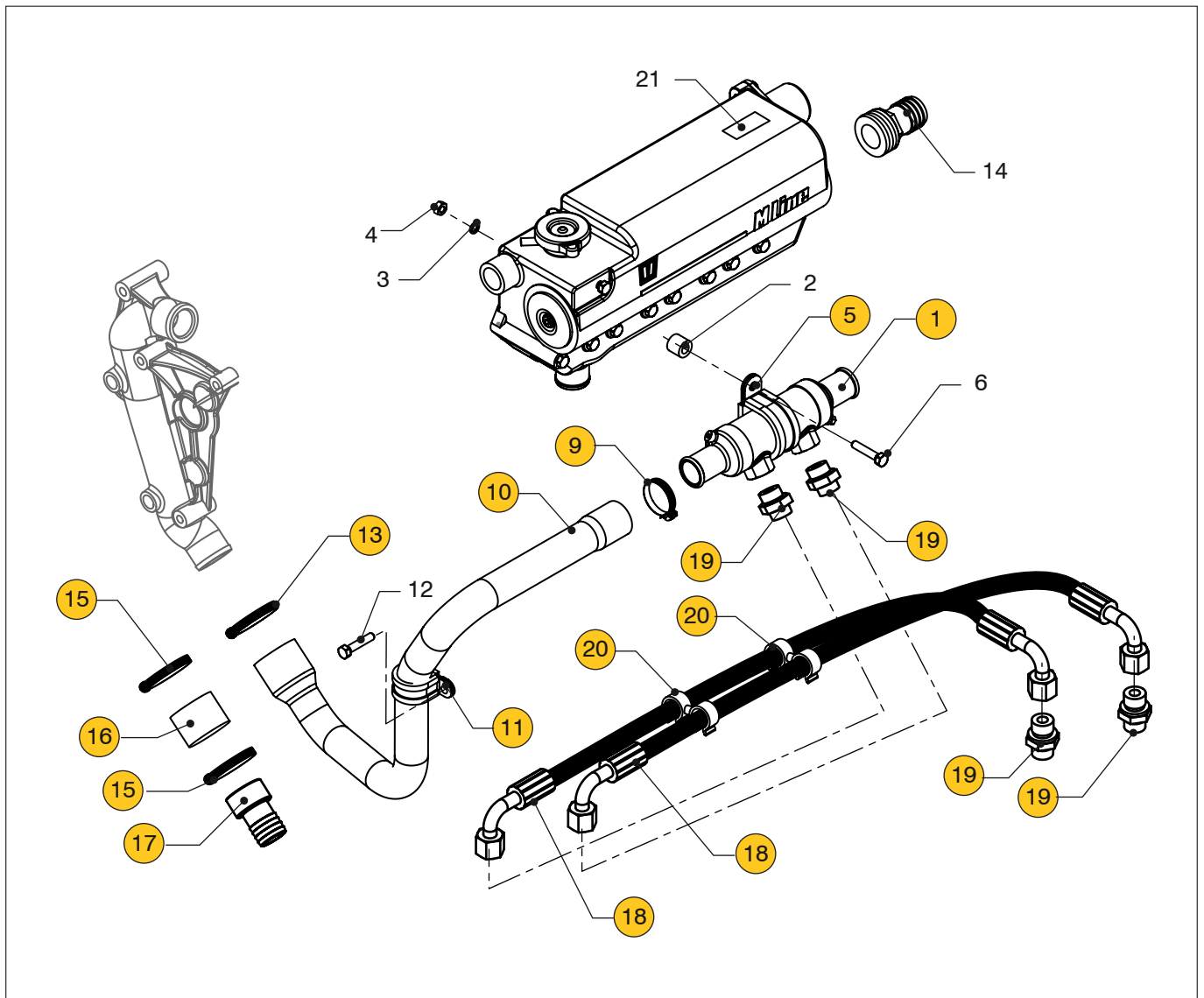
M4.15

M4.17

Aansluiting circulatiepomp, kielkoeling
->06-2009

Connection of circulation pump, keelcooling
->06-2009

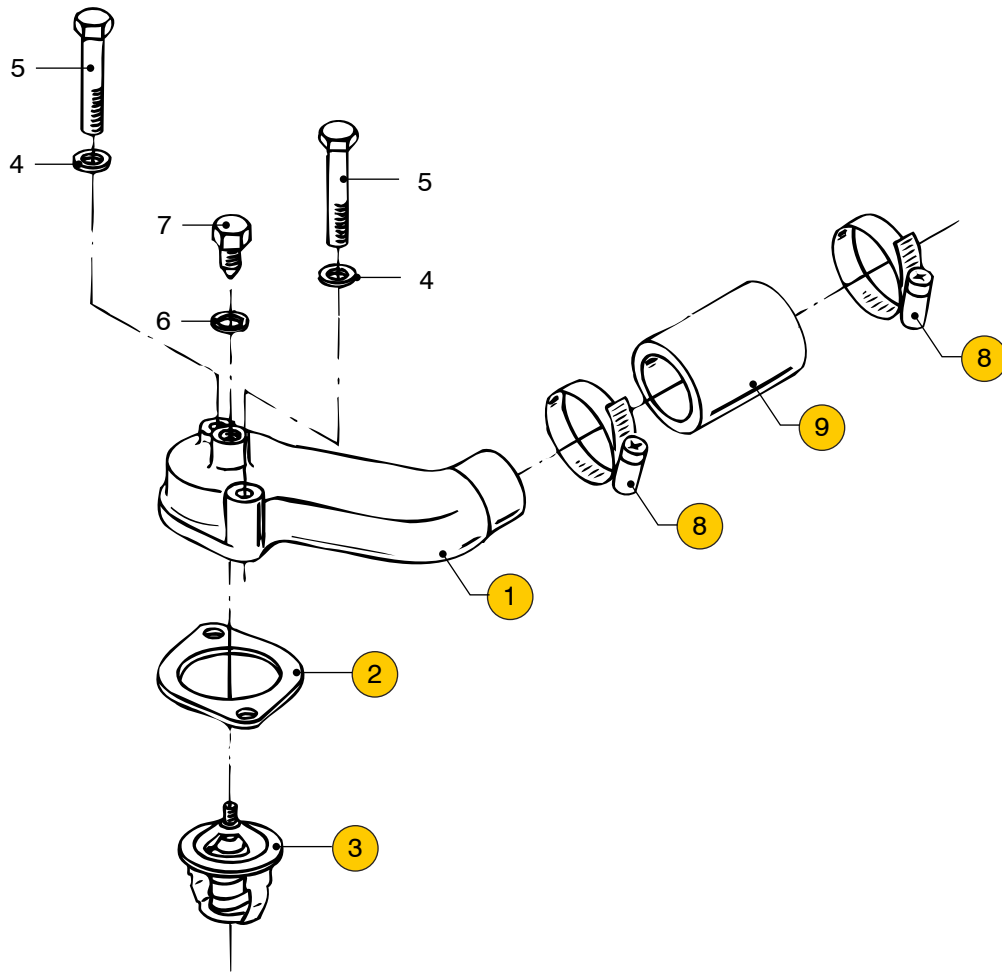
| pos. | qty | part | benaming | description |
|------|-----|----------|---------------------------|---------------------------------|
| 1 | 1 | STM9851 | Dynamosteun/koelwaterpijp | Alternator bracket/coolant pipe |
| 2 | 1 | STM9682 | Bout M8x75 | Bolt M8x75 |
| 3 | 2 | STM8126 | Bout M8x90 | Bolt M8x90 |
| 4 | 3 | STM1019 | Gegolfde veerring M8 | Wave spring washer M8 |
| 5 | 3 | STM7285 | Plug G3/8 | Plug G3/8 |
| 6 | 3 | 08-00136 | Afdichtring | Seal washer |
| 7 | 1 | STM9852 | Slang | Hose |
| 8 | 1 | STM9895 | Slang | Hose |
| 9 | 4 | STM3005 | Slangklem 32-44 | Hose clamp 32-44 |
| 10 | 1 | STM7674 | Bus | Spacer |
| 11 | 2 | STM9859 | Klem | Clamp |
| 12 | 1 | STM3355 | Bout | Bolt |
| 13 | 1 | STM1056 | Veerring | Spring washer |
| 14 | 1 | STM2005 | Moer | Nut |
| 15 | 1 | STM3355 | Bout | Bolt |
| 16 | 1 | STM9860 | Adapter | Adapter |



Aansluiting kielkoeling

Connection keel cooling

| pos. | qty | part | benaming | description |
|------|-----|----------|----------------------------|----------------------------------|
| 1 | 1 | 08-01316 | Oliekoeler keerkoppeling | Oil cooler gearbox |
| 2 | 1 | STM8804 | Bus l=18 | Bush l=18 |
| 3 | 1 | STM2022 | Gegolfde veerring M10 | Wave spring washer M10 |
| 4 | 1 | STM4018 | Moer M10 | Nut M10 |
| 5 | 1 | CT30061 | Klem Ø50 | Clamp Ø50 |
| 6 | 1 | STM6560 | Bout M10x50 | Bolt M10x50 |
| 9 | 1 | HCS25 | Slangklem 25-40 | Hose clamp 25-40 |
| 10 | 1 | 08-01321 | Slang | Hose |
| 11 | 1 | STM3061 | Klem | Clamp |
| 12 | 1 | STM3355 | Bout M8x20 | Bolt M8x20 |
| 13 | 1 | STM3005 | Slangklem 35-50 | Hose clamp 35-50 |
| 14 | 1 | STM7673 | Slangpilaar G1 1/2 - 32 | Hose pilar G1 1/2 - 32 |
| 15 | 2 | STM3005 | Slangklem 35-50 | Hose clamp 35-50 |
| 16 | 1 | 08-01343 | Slang | Hose |
| 17 | 1 | 08-01344 | Slangpilaar 32mm uitwendig | Hose pilar 32mm outside diameter |
| 18 | 2 | CT50079 | Slang l=550 | Hose l=550 |
| 19 | 4 | STM3491 | Nippel M16 > G3/8 | Nipple M16 > G3/8 |
| 20 | 2 | VD60090 | Klem | Clamp |
| 21 | 1 | 08-01357 | Motortypeplaat M4.35 | Engine type plate |
| | 1 | 08-01358 | Motortypeplaat M4.45 | Engine type plate |



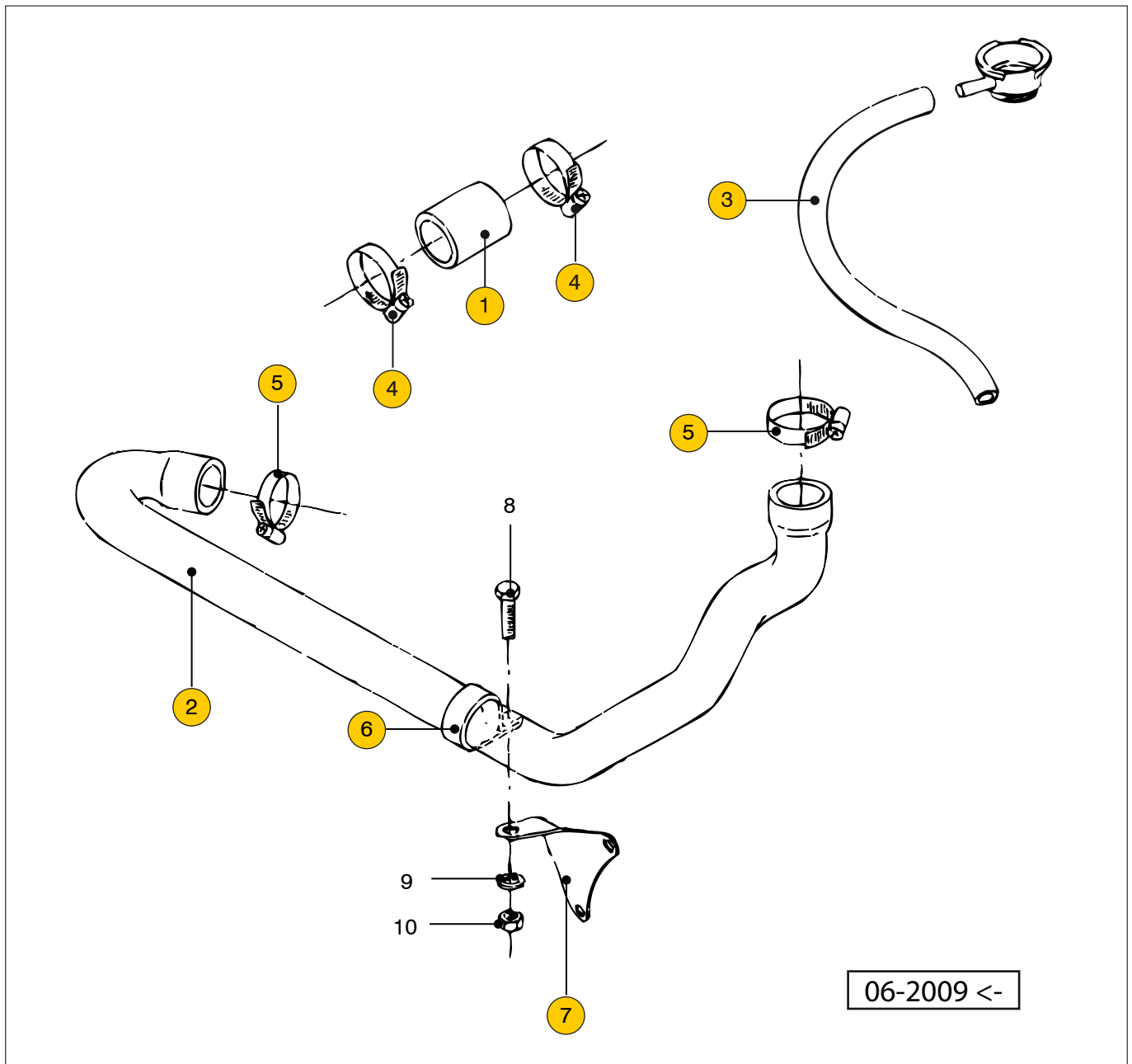
M4.15
M4.35

M4.17
M4.45

Thermostaathuis

Thermostat housing

| pos. | qty | part | benaming | description |
|------|-----|---------|------------------------------|------------------------------------|
| 1 | 1 | STM7559 | Thermostaathuis | Thermostat housing |
| 2 | 1 | STM7855 | Pakking | Gasket |
| 3 | 1 | STM7654 | Thermostaat 76,5°C | Thermostat 76,5°C |
| 4 | 2 | STM1019 | Gegolfde veerring M8 | Wave spring washer M8 |
| 5 | 2 | STM2261 | Bout M8x1,25x40 | Bolt M8x1.25x40 |
| 6 | 1 | STM1007 | Afdichtring | Seal washer |
| 7 | 1 | STM3796 | Bout M8x1,25x10 | Bolt M8x1.25x10 |
| 8 | 2 | STM3005 | Slangklem 32-44 | Hose clamp 32-44 |
| 9 | 1 | STM7560 | Slang thermostaathuis <-> WW | Hose thermostathousing <-> headex. |

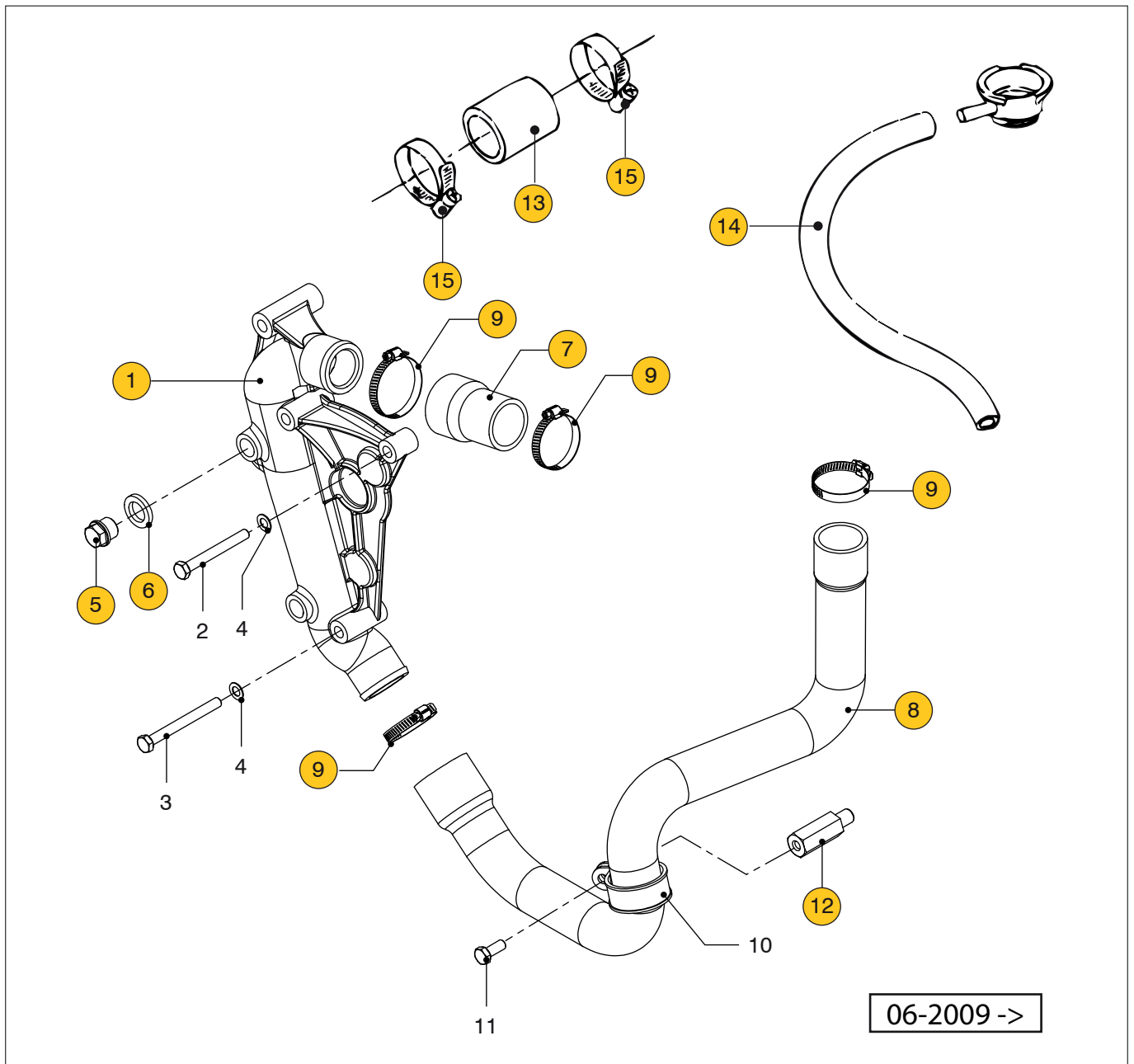


06-2009 <-

M4.15 M4.17 Slangen, binnenwater 06-2009 <-

Hoses, coolant 06-2009<-

| pos. | qty | part | benaming | description |
|------|-----|----------|------------------------------|------------------------------------|
| 1 | 1 | STM7560 | Slang thermostaathuis <-> ww | Hose thermostathousing <-> heatex. |
| 2 | 1 | STM3091 | Slang ww <-> binnenwaterpomp | Hose heatexchanger <-> pump |
| 3 | 1 | FUHOSE13 | Slang vulnek l=0,4mtr. | Hose l=0.4mtr. |
| 4 | 2 | STM3005 | Slangklem 32-44 | Hoseclamp 32-44 |
| 5 | 2 | STM3005 | Slangklem 32-44 | Hoseclamp 32-44 |
| 6 | 1 | STM3061 | Klem RSGU1.35/20W1 | Clamp RSGU1.35/20W1 |
| 7 | 1 | STM7565 | Bevestigingssteun | Support |
| 8 | 1 | STM3355 | Bout M8x20 | Bolt M8x20 |
| 9 | 1 | STM1056 | Veerring M8 | Spring washer M8 |
| 10 | 1 | STM2005 | Moer M8 | Nut M8 |



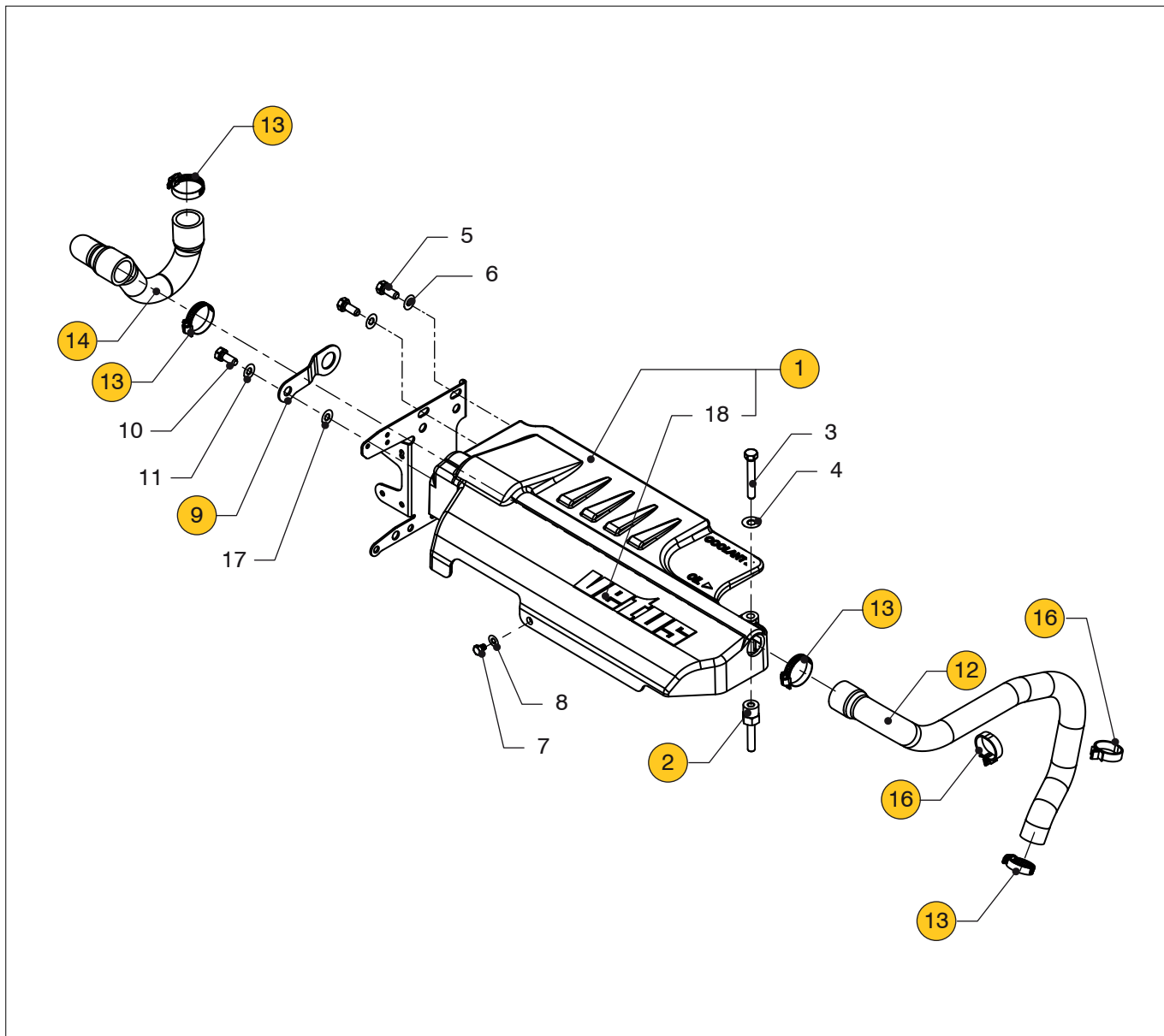
M4.15

M4.17

Slangen, binnenwater 06-2009 ->

Hoses, coolant 06-2009 ->

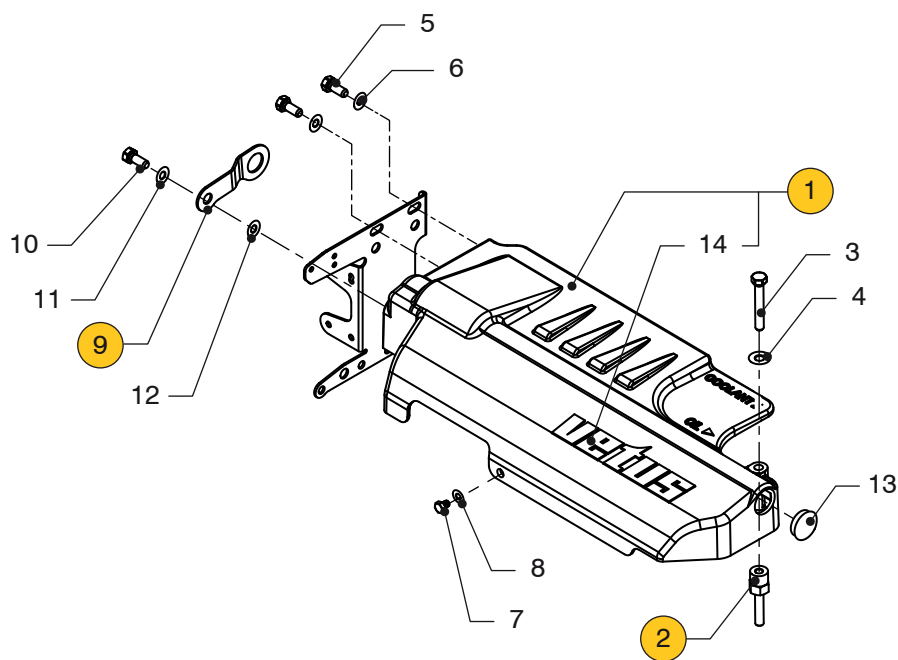
| pos. | qty | part | benaming | description |
|------|-----|----------|------------------------------|------------------------------------|
| 1 | 1 | STM9851 | Dynamosteun/koelwaterpijp | Alternator bracket/coolant pipe |
| 2 | 1 | STM9682 | Bout M8x75 | Bolt M8x75 |
| 3 | 2 | STM8126 | Bout M8x90 | Bolt M8x90 |
| 4 | 3 | STM1019 | Gegolfde veerring M8 | Wave spring washer M8 |
| 5 | 3 | STM7285 | Plug G3/8 | Plug G3/8 |
| 6 | 3 | 08-00136 | Afdichtring | Seal washer |
| 7 | 1 | STM9852 | Slang | Hose |
| 8 | 1 | STM9853 | Slang | Hose |
| 9 | 4 | STM3005 | Slangklem 32-44 | Hose clamp 32-44 |
| 10 | 1 | STM9859 | Klem 45mm | Clamp 40mm |
| 11 | 1 | STM3355 | Bout M8x20 | Bolt M8x20 |
| 12 | 1 | STM9860 | Adapter M12x1,25->M8x1,25 | Adapter |
| 13 | 1 | STM7560 | Slang thermostaathuis <-> ww | Hose thermostathousing <-> heatex. |
| 14 | 1 | FUHOSE13 | Slang vulnek l=0,4mtr. | Hose l=0.4mtr. |
| 15 | 2 | STM3005 | Slangklem 32-44 | Hoseclamp 32-44 |



Bovenkap interkoeling

Upper cover intercooling

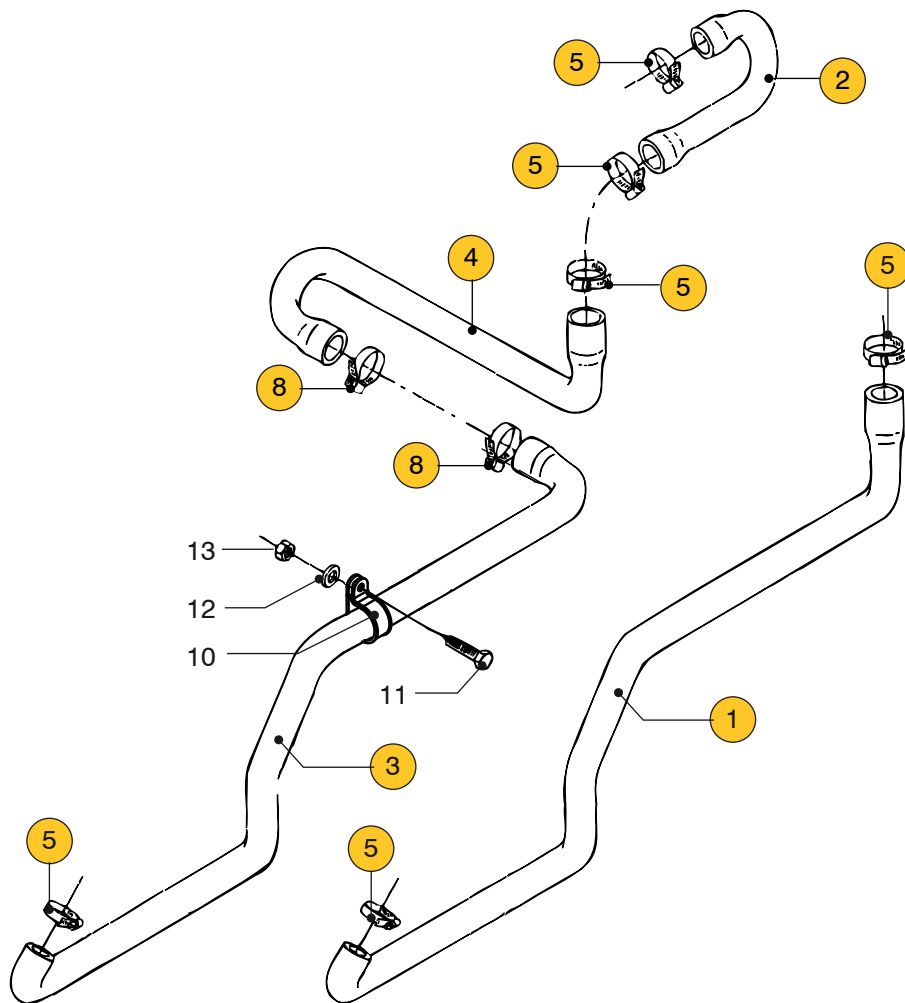
| M4.35 | | M4.45 | | | |
|-------|-----|----------|------------------------|------------------------|--|
| pos. | qty | part | benaming | description | |
| 1 | 1 | 08-01283 | Bovenkap M4 | Upper cover M4 | |
| 2 | 1 | 08-01313 | Afstandshouder (20 Nm) | Stud (20 Nm) | |
| 3 | 1 | STM9256 | Bout M8x55 (15 Nm) | Bolt M8x55 (15 Nm) | |
| 4 | 1 | STM1019 | Gegolfde veerring M8 | Wave spring washer M8 | |
| 5 | 2 | STM4055 | Bout M8x16 | Bolt M8x16 | |
| 6 | 2 | STM1019 | Gegolfde veerring M8 | Wave spring washet M8 | |
| 7 | 1 | 08-01330 | Bout M6x8 | Bolt M6x8 | |
| 8 | 1 | STM1019 | Gegolfde veerring M8 | Wave spring washer M8 | |
| 9 | 1 | STM7710 | Hijsoog | Lifting eye | |
| 10 | 1 | STM9003 | Bout M10x1,5x25 | Bolt M10x1,5x25 | |
| 11 | 1 | STM2022 | Gegolgte veerring M10 | Wave spring washer M10 | |
| 12 | 1 | 08-01314 | Slang buitenwaterpomp | Hose seawater pump | |
| 13 | 2 | HCS16 | Slangklem 19-28 | Hose clamp 19-28 | |
| 14 | 1 | 08-01315 | Slang aansluitdeksel | Hose connection cover | |
| 16 | 2 | 08-01320 | Klem | Clamp | |
| 17 | 1 | 08-01372 | Ring | Washer | |
| 18 | 1 | 08-01504 | Sticker | Sticker | |



Bovenkap kielkoeling

Upper cover keel cooling

| pos. | qty | part | benaming | description |
|------|-----|----------|------------------------|------------------------|
| 1 | 1 | 08-01293 | Bovenkap M4 | Upper cover M4 |
| 2 | 1 | 08-01313 | Afstandshouder (20 Nm) | Stud (20 Nm) |
| 3 | 1 | STM9256 | Bout M8x55 (15 Nm) | Bolt M8x55 (15 Nm) |
| 4 | 1 | STM1019 | Gegolfde veerring M8 | Wave spring washer M8 |
| 5 | 2 | STM4055 | Bout M8x16 | Bolt M8x16 |
| 6 | 2 | STM1019 | Gegolfde veerring M8 | Wave spring washet M8 |
| 7 | 1 | 08-01330 | Bout M6x8 | Bolt M6x8 |
| 8 | 1 | STM1019 | Gegolfde veerring M8 | Wave spring washer M8 |
| 9 | 1 | STM7710 | Hijsoog | Lifting eye |
| 10 | 1 | STM9003 | Bout M10x1,5x25 | Bolt M10x1,5x25 |
| 11 | 1 | STM2022 | Gegolfde veerring M10 | Wave spring washer M10 |
| 12 | 1 | 08-01372 | Ring | Washer |
| 13 | 1 | 08-01387 | Kap | Cover |
| 14 | 1 | 08-01504 | Sticker | Sticker |



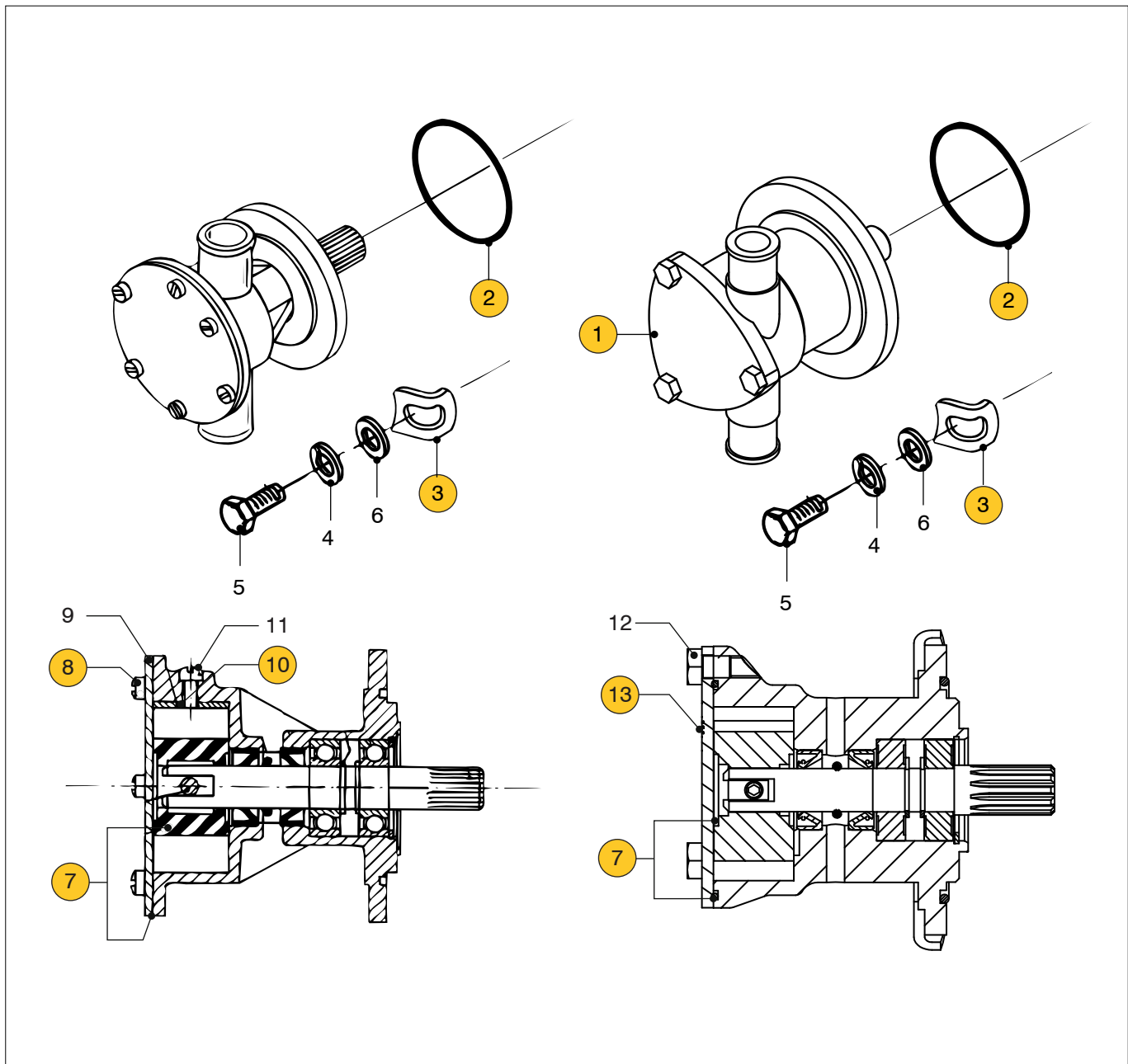
M4.15

M4.17

Slangen, buitenwater

Hoses, raw water

| pos. | qty | part | benaming | description |
|------|-----|---------|-----------------------------------|-------------------------------------|
| 1 | 1 | STM7561 | Slang buitenwaterpomp <-> ww | Hose seawaterpump <-> heatexchanger |
| 2 | 1 | STM7585 | Slang ww <-> injectiebocht | Hose heatexchanger <-> inj.elbow |
| 3 | 1 | STM7562 | Slang buitenw.pomp <-> oliekoeler | Hose pump <-> oilcooler |
| 4 | 1 | STM7563 | Slang oliekoeler <-> ww | Hose oilcooler <-> heatex.housing |
| 5 | 2 | HCS16 | Slangklem 19-28 | Hoseclamp 19-28 |
| 8 | 2 | HCS25 | Slangklem 26-38 | Hoseclamp 26-38 |
| 10 | 1 | STM7564 | Klem RSGU1.30/20W1 | Clamp RSGU1.30/20W1 |
| 11 | 1 | STM7059 | Bout M8x30 | Bolt M8x30 |
| 12 | 1 | STM1019 | Gegolfde veerring M8 | Wave spring washer M8 |
| 13 | 1 | STM2005 | Moer M8 | Nut M8 |



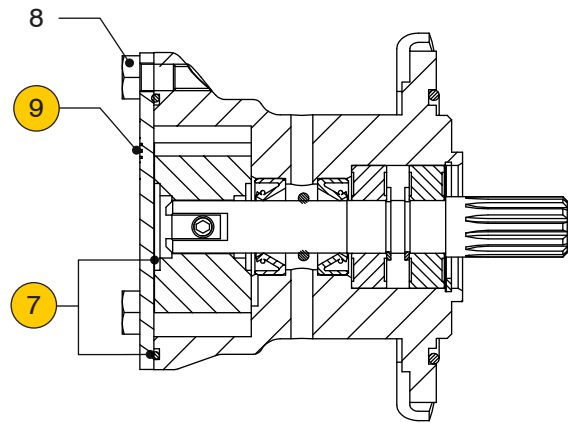
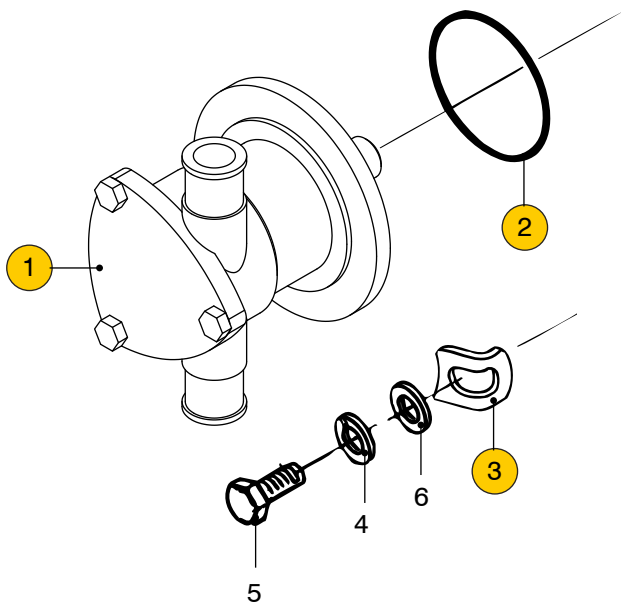
M4.15

M4.17

Zeewaterpomp

Seawater pump

| pos. | qty | part | benaming | description |
|------|-----|---------|---------------------|--------------------|
| 1 | 1 | STM7630 | Pomp 3/4 kam | Pump 3/4 cam |
| 2 | 1 | STM6127 | O-ring | O-ring |
| 3 | 4 | STM6126 | Kikkerplaatje | Clamp plate |
| 4 | 4 | STM1056 | Veerring M8 | Spring washer M8 |
| 5 | 4 | STM1610 | Bout M8x25 | Bolt M8x25 |
| 6 | 4 | STM1653 | Ring M8 | Washer M8 |
| 7 | 1 | STM8076 | Impeller+pakking | Impeller+gasket |
| 8 | 6 | STM6163 | Schroef | Screw |
| 9 | 1 | STM7629 | Deksel (rond) | Cover (round) |
| 10 | 1 | STM7631 | Kam 3/4 (2,6mm) | Cam 3/4 (2.6mm) |
| 11 | 1 | STM6167 | Schroef | Screw |
| 12 | 3 | STM7689 | Bout | Bolt |
| 13 | 1 | STM7688 | Deksel (driehoekig) | Cover (triangular) |

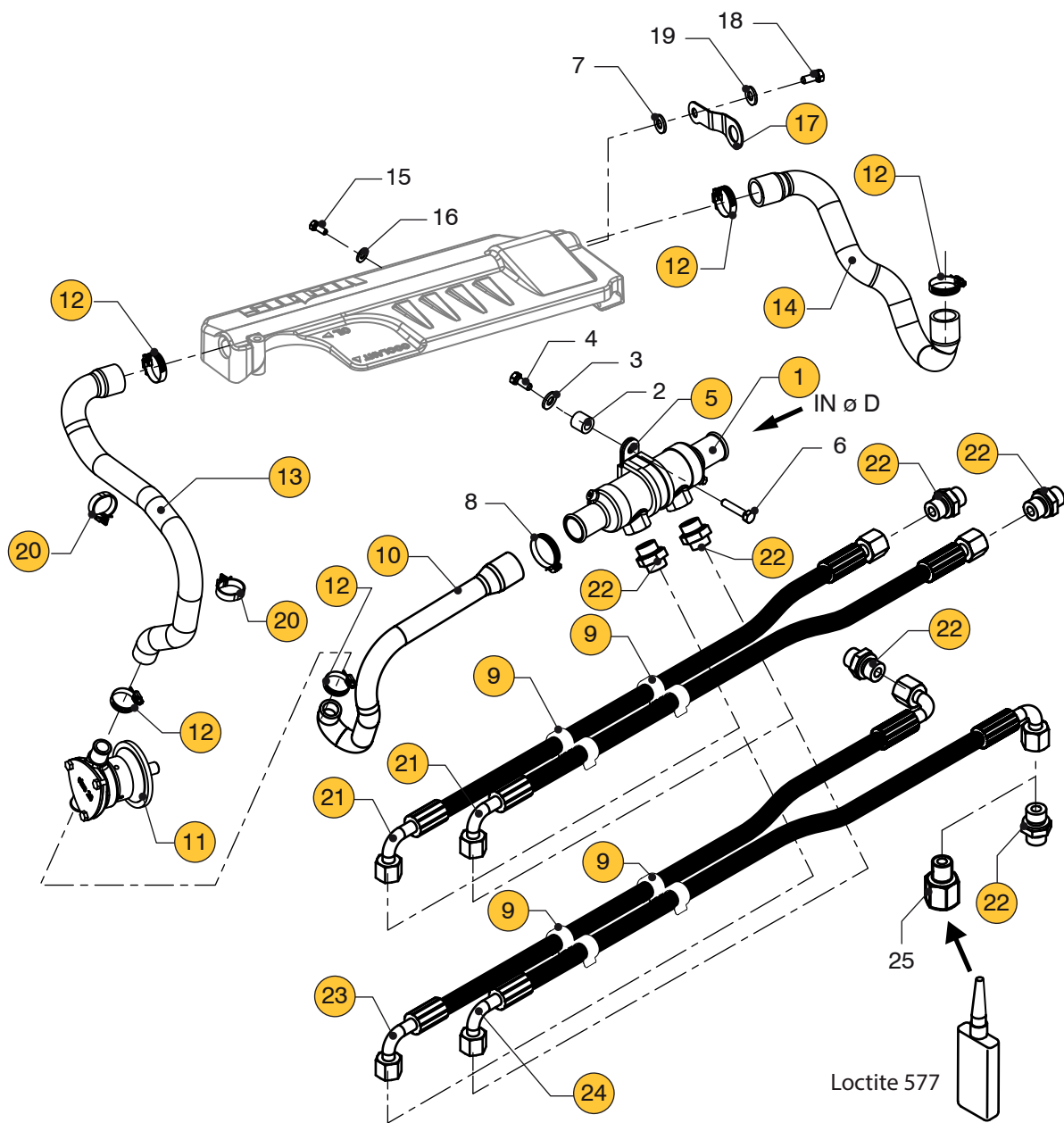


Zeewaterpomp

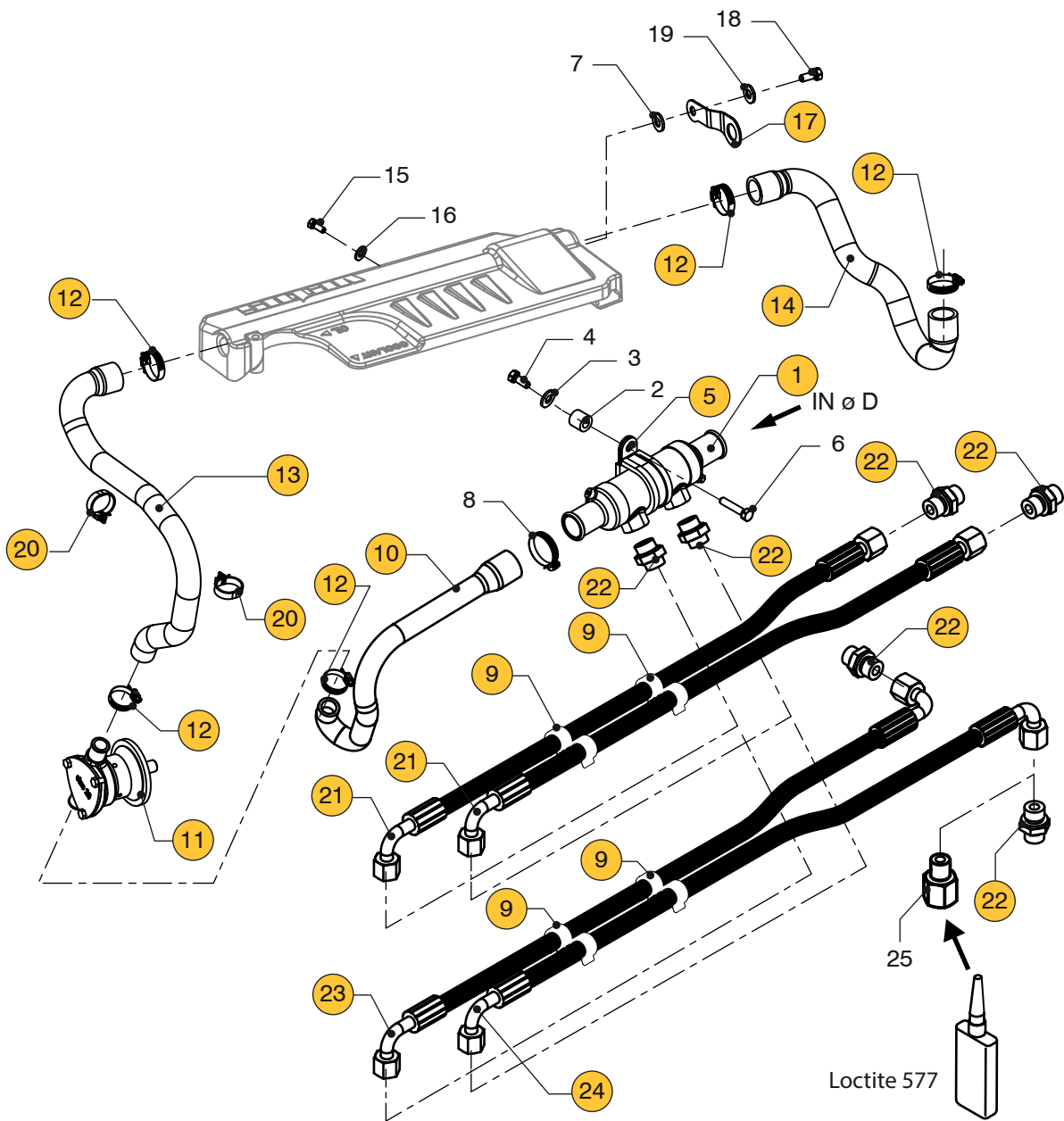
Seawater pump

M4.35 M4.45

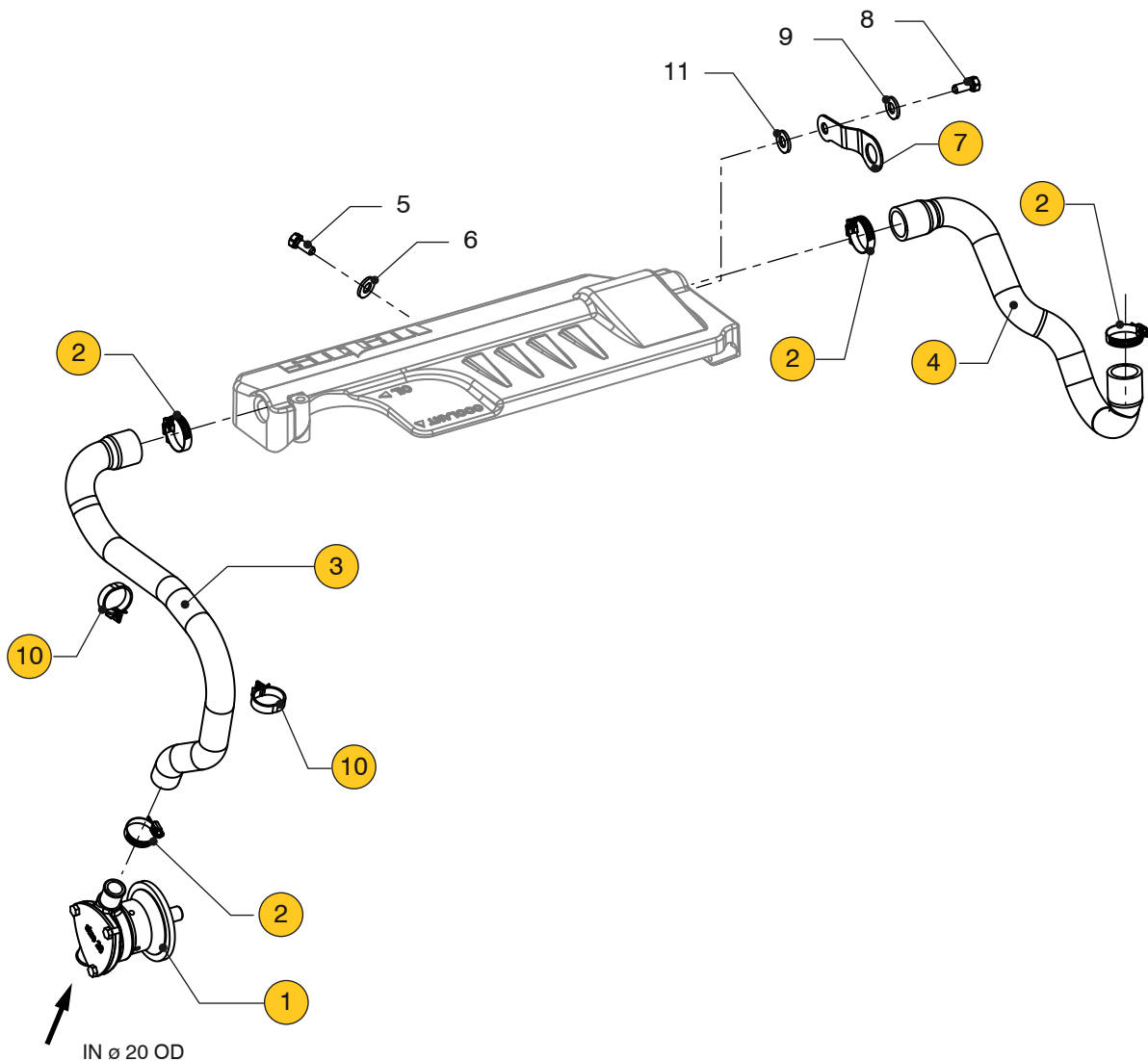
| pos. | qty | part | benaming | description |
|------|-----|---------|---------------------|--------------------|
| 1 | 1 | STM7630 | Pomp 3/4 kam | Pump 3/4 cam |
| 2 | 1 | STM6127 | O-ring | O-ring |
| 3 | 4 | STM6126 | Kikkerplaatje | Clamp plate |
| 4 | 4 | STM1056 | Veerring M8 | Spring washer M8 |
| 5 | 4 | STM1610 | Bout M8x25 | Bolt M8x25 |
| 6 | 4 | STM1653 | Ring M8 | Washer M8 |
| 7 | 1 | STM8076 | Impeller+pakking | Impeller+gasket |
| 8 | 3 | STM7689 | Bout | Bolt |
| 9 | 1 | STM7688 | Deksel (driehoekig) | Cover (triangular) |



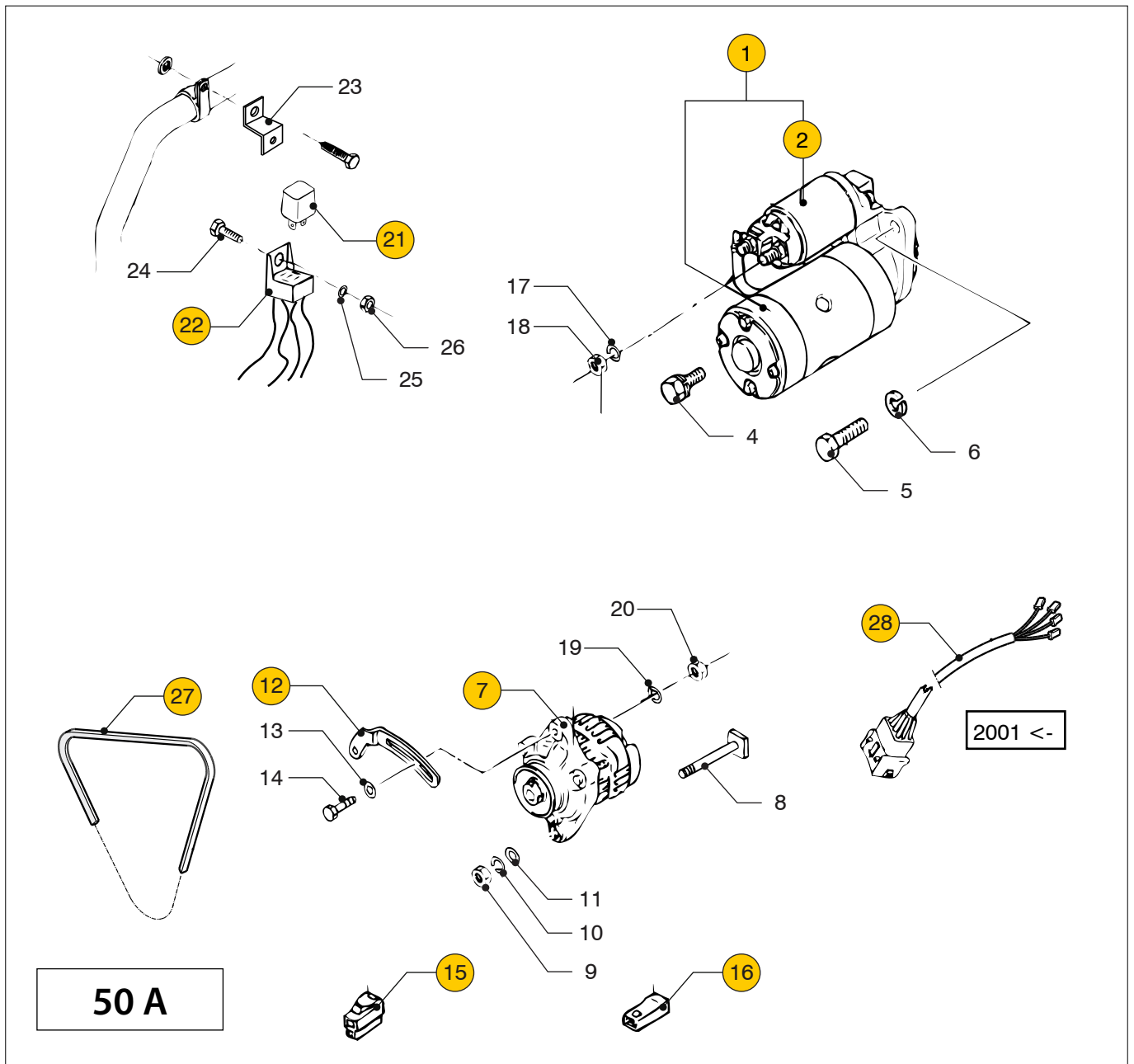
| M4.35 | M4.45 | Buitenwater pomp, interkoeling/hydraulische keerkoppeling | Sea water pump, intercooling/hydraulic gearbox | |
|-------|-------|--|---|---|
| pos. | qty | part | benaming | description |
| 1 | 1 | 08-01316 | Oliekoeler keerkoppeling aansluiting D ø 32 mm | Oil cooler gearbox connection D 32 mm diam. |
| 2 | 1 | STM8804 | Bus l=18 | Bush l=18 |
| 3 | 1 | STM2022 | Gegolfde veerring M10 | Wave spring washer M10 |
| 4 | 1 | STM4018 | Moer M10 | Nut M10 |
| 5 | 1 | CT30061 | Klem ø 50 | Clamp ø 50 |
| 6 | 1 | STM6560 | Bout M10x50 | Bolt M10x50 |
| 7 | 1 | 08-01372 | Ring | Washer |
| 8 | 1 | HCS25 | Slangklem 25-40 | Hose clamp 25-40 |
| 9 | 2 | VD60090 | Klem | Clamp |
| 10 | 1 | 08-01319 | Slang | Hose |
| 11 | 1 | STM7630 | Buitenwater pomp 3/4 kam | Seawater pump 3/4 cam |
| 12 | 5 | HCS16 | Slangklem 19-29 | Hose clamp 19-29 |
| 13 | 1 | 08-01314 | Slang | Hose |
| 14 | 1 | 08-01315 | Slang | Hose |
| 15 | 1 | STM8567 | Bout M6 x 10 | Bolt M6 x 10 |
| 16 | 1 | STM1019 | Gegolfde veerring M8 | Wave spring washer M8 |



| M4.35 | M4.45 | Buitenwater pomp, interkoeling/hydraulische keerkoppeling | Sea water pump, intercooling/hydraulic gearbox | |
|-------|-------|--|---|--|
| pos. | qty | part | benaming | description |
| 17 | 1 | STM7710 | Hijsoog | Lifting eye |
| 18 | 1 | STM9003 | Bout M10x1,5x25 | Bolt M10x1,5x25 |
| 19 | 1 | STM2022 | Gegolde veerring M10 | Wave spring washer M10 |
| 20 | 2 | 08-01320 | Klem | Clip |
| 21 | 2 | CT50079 | Slang L = 550, TM345 | Hose L = 550, TM345 |
| 22 | 4 | STM3491 | Nippel M16 bui.dr.> G3/8 bui.dr. | Nipple M16 male > G3/8 male |
| 23 | 1 | 08-01450 | Slang L = 590, PRM500 / ZF25 | Hose L = 590, PRM500 / ZF25 |
| 24 | 1 | 08-01451 | Slang L = 690, PRM500 / ZF25 | Hose L = 690, PRM500 / ZF25 |
| 25 | 1 | STM5434 | Nippel M16 bui.dr.> G3/8 bi.dr. (Trolling Valve) | Nipple M16 male > G3/8 female (Trolling Valve) |



| M4.35 | | M4.45 | | Buitenwater pomp, intercooling/mechanische keerkoppeling | Sea water pump, intercooling/mechanical gearbox |
|-------|-----|----------|--------------------------|---|--|
| pos. | qty | part | benaming | description | |
| 1 | 1 | STM7630 | Buitenwater pomp 3/4 kam | Seawater pump 3/4 cam | |
| 2 | 4 | HCS16 | Slangklem 19-29 | Hose clamp 19-29 | |
| 3 | 1 | 08-01314 | Slang | Hose | |
| 4 | 1 | 08-01315 | Slang | Hose | |
| 5 | 1 | STM8567 | Bout M6x10 | Bolt M6x10 | |
| 6 | 1 | STM1019 | Gegolfdde veerring M8 | Wave spring washer M8 | |
| 7 | 1 | STM7710 | Hijsoog | Lifting eye | |
| 8 | 1 | STM9003 | Bout M10x1,5x25 | Bolt M10x1,5x25 | |
| 9 | 1 | STM2022 | Gegolfdde veerring M10 | Wave spring washer M10 | |
| 10 | 2 | 08-01320 | Klem | Clip | |
| 11 | 2 | 08-01372 | Ring | Washer | |



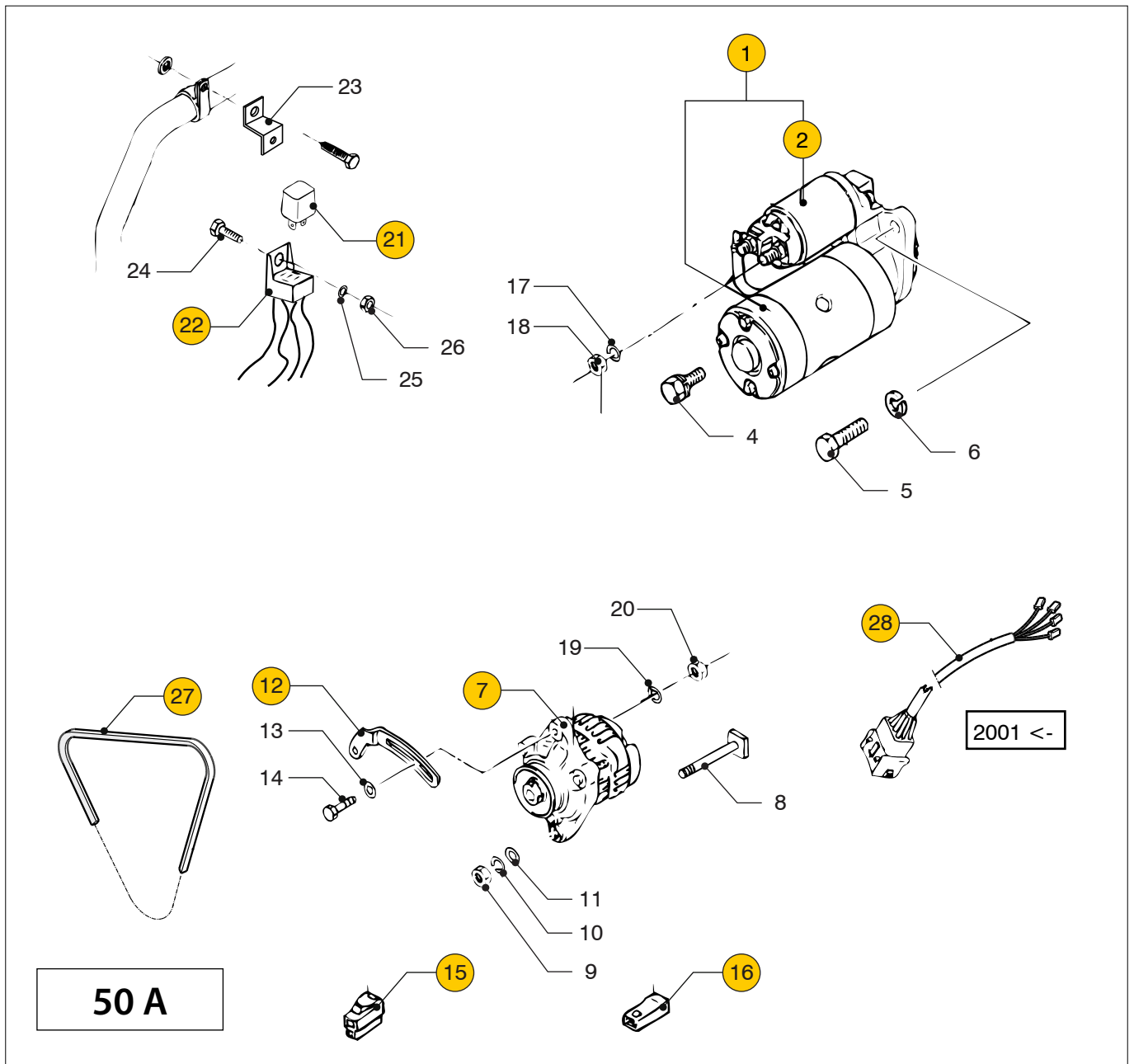
M4.15

M4.17

Startmotor + dynamo

Starter motor + alternator

| pos. | qty | part | benaming | description |
|------|-----|---------|------------------------|------------------------|
| 1 | 1 | STM7944 | Startmotor | Starter motor |
| 2 | 1 | STM9836 | Relais met plastic pin | Relay with plastic pin |
| | 1 | STM7967 | Relais met metalen oog | Relay with metal eye |
| 4 | 1 | STM7933 | Bout | Bolt |
| 5 | 1 | STM7934 | Bout | Bolt |
| 6 | 1 | STM7935 | Ring | Washer |
| 7 | 1 | STM7945 | Dynamo 12V-50A | Alternator 12V-50A |
| 8 | 1 | STM7943 | Bout | Bolt |
| 9 | 1 | STM7940 | Moer | Nut |
| 10 | 1 | STM7941 | Ring | Washer |
| 11 | 1 | STM7942 | Ring | Washer |
| 12 | 1 | STM7937 | Spansteun | Tension support |
| 13 | 1 | STM7938 | Ring | Washer |
| 14 | 1 | STM7939 | Bout | Bolt |
| 15 | 1 | STM6278 | Stekkerhuls | Connector |
| 16 | 1 | STM6277 | Stekkerhuls | Connector |



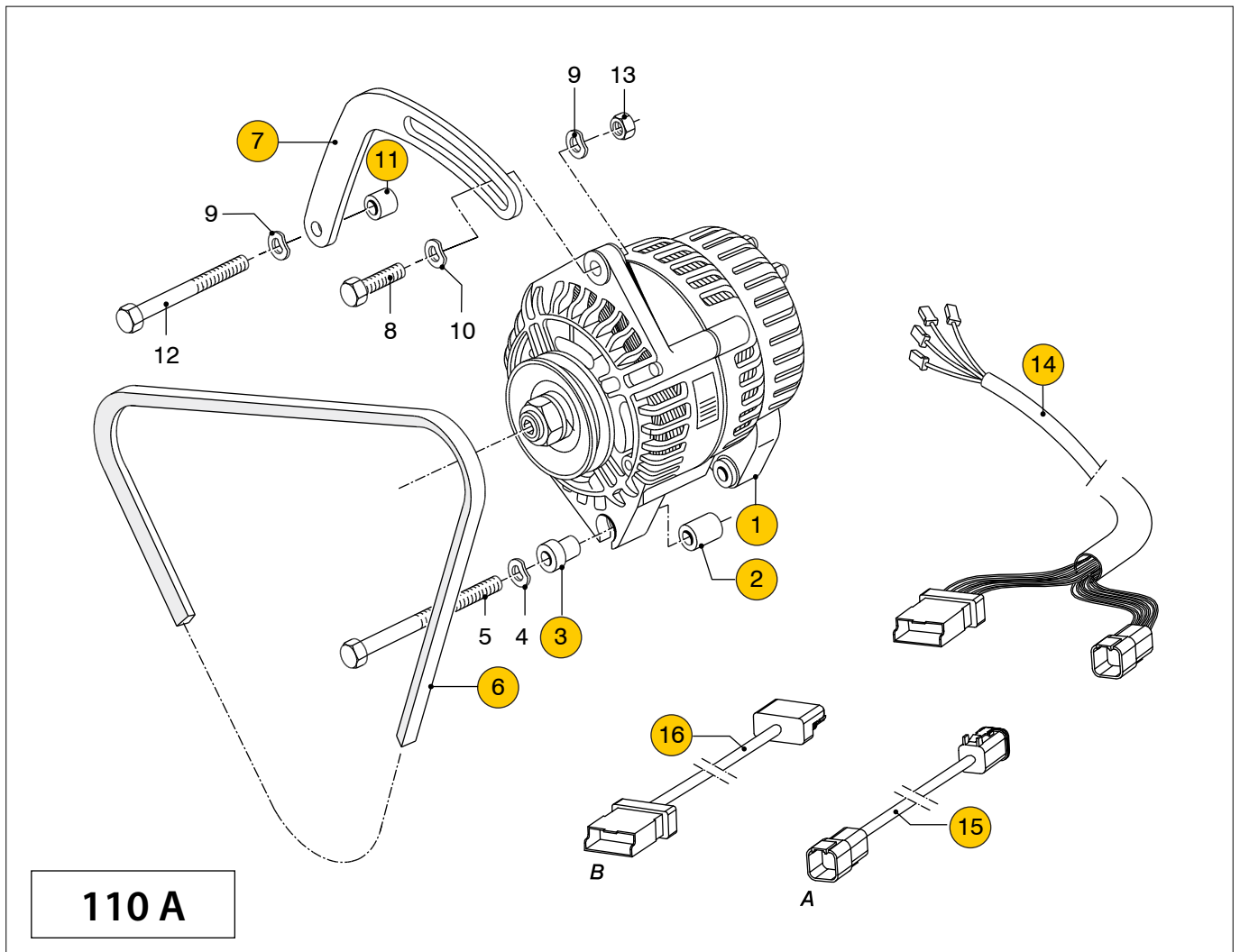
M4.15

M4.17

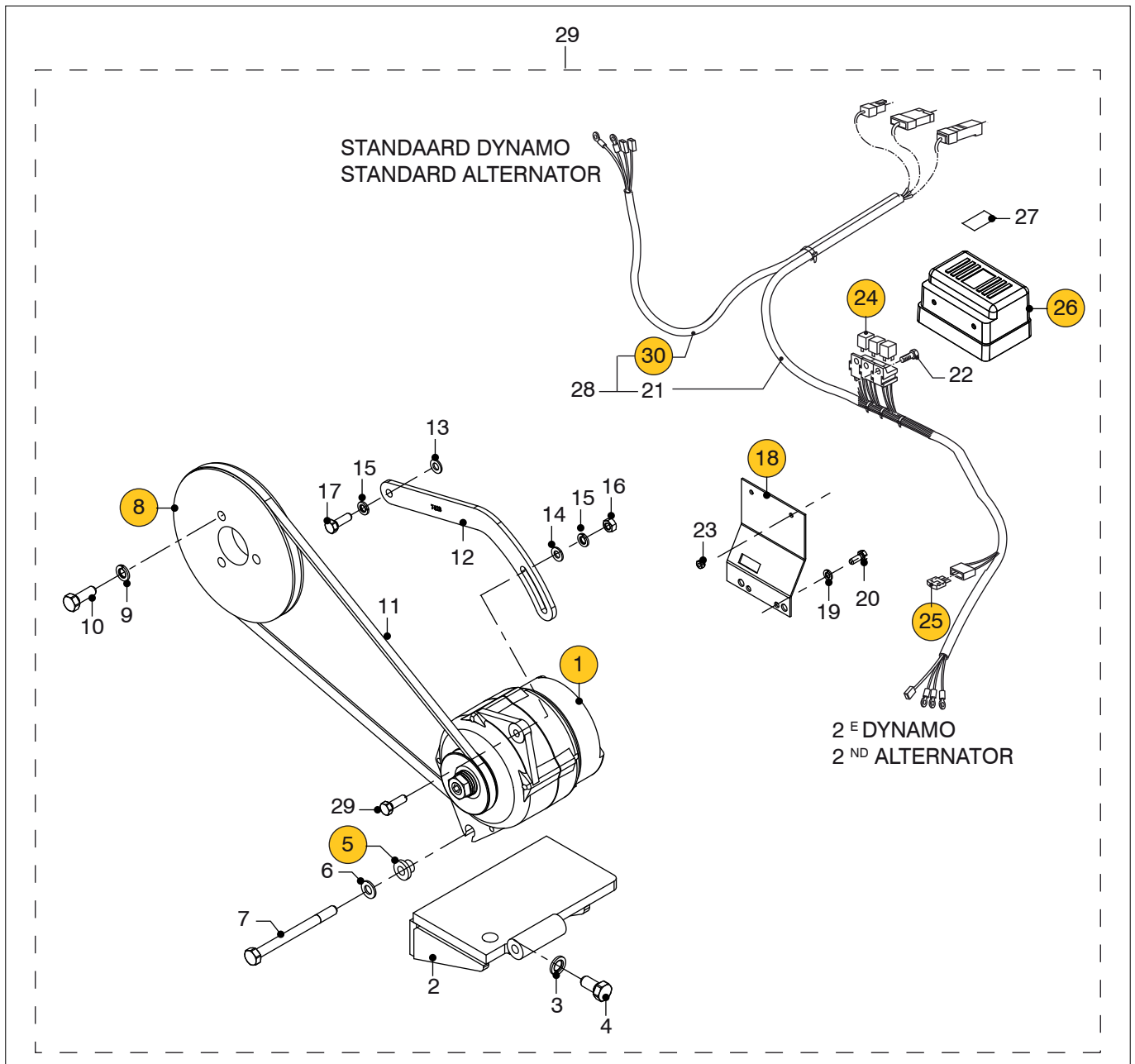
Startmotor + dynamo

Starter motor + alternator

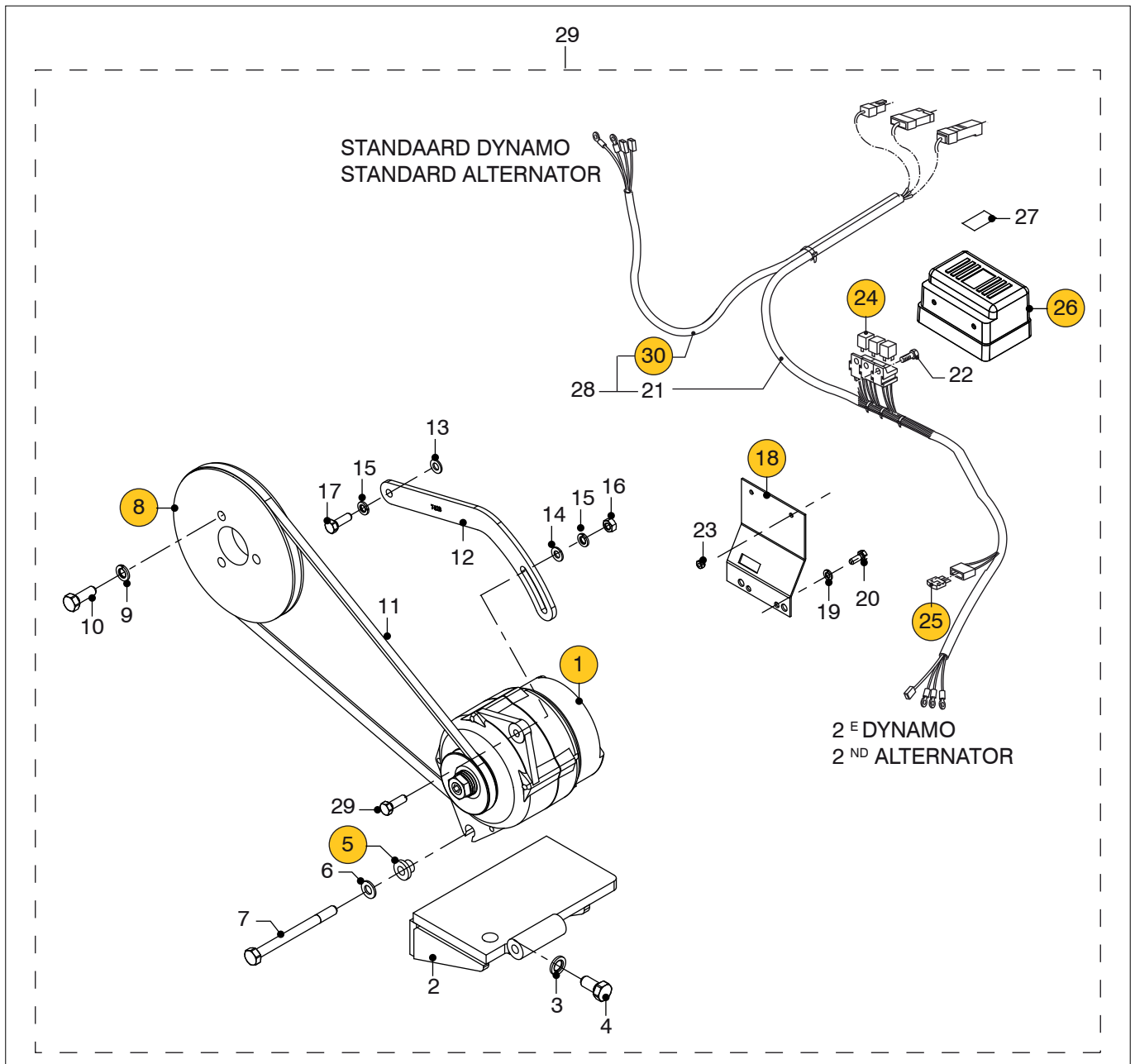
| pos. | qty | part | benaming | description |
|------|-----|---------|--------------------------------|-------------------------------------|
| 17 | 1 | STM1019 | Gegolfde veerring M8 | Wave spring washer M8 |
| 18 | 1 | STM6568 | Moer M8 | Nut M8 |
| 19 | 1 | STM1025 | Gegolfde veerring M6 | Wave spring washer M8 |
| 20 | 1 | STM2005 | Moer M6 | Nut M6 |
| 21 | 1 | STM9050 | Relais | Relay |
| 22 | 1 | STM7656 | Draadboom hulpstartrelais cpl. | Wiring loom aux. starter relay cpl. |
| 23 | 1 | STM7655 | Beugel | Bracket |
| 24 | 1 | STM9062 | Bout | Bolt |
| 25 | 1 | STM8177 | Ring | Washer |
| 26 | 1 | STM1705 | Moer | Nut |
| 27 | 1 | STM7966 | V-snaar 50 A | V-belt |
| 28 | 1 | STM9862 | Bedrading 50 A 2001 <- | Wiring 50 A 2001 <- |



| pos. | qty | part | benaming | description |
|------|-----|---------|----------------------------------|---------------------------------------|
| 1 | 1 | STM9292 | Dynamo 110 A - 12 V 1P | Alternator 95 A - 12 V Earth return |
| 2 | 1 | STM7640 | Bus | Bushing |
| 3 | 1 | STM7641 | Kraagbus | Collar bushing |
| 4 | 1 | STM2022 | Gegolfde veerring M10 | Wave spring washer M10 |
| 5 | 1 | STM7642 | Bout M10 x 120 | Bolt M10 x 120 |
| 6 | 1 | STM7643 | V-snaar AVX 10 x 988 La (SPZ) | Washer AVX 10 x 988 La (SPZ) |
| 7 | 1 | STM7627 | Spansteun | Tensioner bracket |
| 8 | 1 | STM1610 | Bout M8 x 25 | Bolt M8 x 25 |
| 9 | 2 | STM1056 | Veerring M8 | Spring washer M8 |
| 10 | 1 | STM3749 | Ring M8 | Washer M8 |
| 11 | 1 | STM7646 | Bus l=10 | Bushing l=10 |
| 12 | 1 | STM9682 | Bout M8x75 | Bolt M8x75 |
| 13 | 1 | STM2005 | Moer M8 | Nut M8 |
| 14 | 1 | STM9862 | Motorbedrading 110 A 06-2009 <- | Engine wiring loom 110 A 06-2009 <- |
| 15 | 1 | MPKA02 | Tussenkabel A 2 m grijs 6 polig | Intermediate cable A 2 gray 6 pole |
| | | MPKA04 | Tussenkabel A 4 m grijs 6 polig | Intermediate cable A 4 gray 6 pole |
| | | MPKA06 | Tussenkabel A 6 m grijs 6 polig | Intermediate cable A 6 gray 6 pole |
| | | MPKA12 | Tussenkabel A 12 m grijs 6 polig | Intermediate cable A 12 gray 6 pole |
| 16 | 1 | MPKB02 | Tussenkabel B 2 m grijs 6 polig | Intermediate cable A 2 m gray 6 pole |
| | | MPKB04 | Tussenkabel B 4m grijs 6 polig | Intermediate cable B 4 m gray 6 pole |
| | | MPKB06 | Tussenkabel B 6m grijs 6 polig | Intermediate cable B 6 m gray 6 pole |
| | | MPKB12 | Tussenkabel B 12m grijs 6 polig | Intermediate cable B 12 m gray 6 pole |



| pos. | qty | part | benaming | description |
|------|-----|---------|--------------------------------|-------------------------------|
| 1 | 1 | STM9292 | Dynamo 110A-12V 1p | Alternator 110A-12V 1p |
| 2 | 1 | STM7624 | Dynamo-motorsteun | Alternator-engine support |
| 3 | 4 | STM4003 | Veerring M12 | Spring washer M12 |
| 4 | 4 | STM7667 | Bout M12x1,25x25 | Bolt M12x1,25x25 |
| 5 | 1 | STM7641 | Kraagbus | Collar bushing |
| 6 | 1 | STM2022 | Gegolfde veerring M10 | Wavespring washer M10 |
| 7 | 1 | STM7642 | Bout M10x120 | Bolt M10x120 |
| 8 | 1 | STM7625 | V-snaar schijf | Pulley |
| 9 | 3 | STM4014 | Veerring M10 | Spring washer M10 |
| 10 | 3 | STM4013 | Bout M10x1,25x30 | Bolt M10x1,25x30 |
| 11 | 1 | STM7444 | V-snaar AVX 10 x 1005 la (spz) | V-belt AVX 10 x 1005 la (spz) |
| 12 | 1 | STM7623 | Spansteun | Tensioner bracket |
| 13 | 2 | STM1653 | Vulring | Spacer |
| 14 | 1 | STM4619 | Ring M8 | Washer M8 |
| 15 | 2 | STM1056 | Veerring M8 | Spring washer M8 |
| 16 | 1 | STM2005 | Moer M8 | Nut M8 |



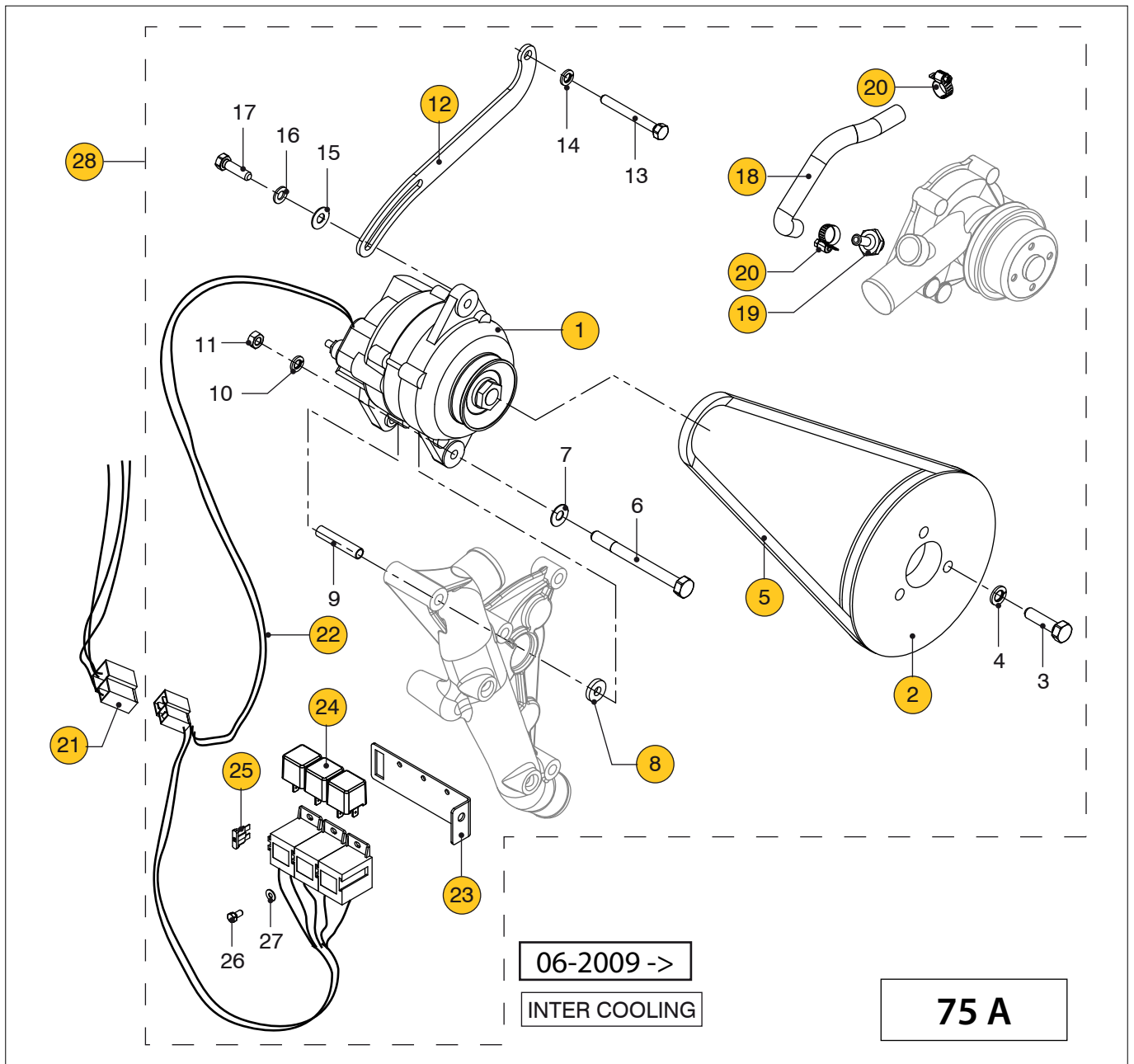
M4.15

M4.17

Dynamo 12V-110A 1p 2e dynamo, kielkoeling 06-2009<-

Alternator 12V-110A 1p 2nd alternator, keel-cooling 06-2009<-

| pos. | qty | part | benaming | description |
|------|-----|----------|---------------------------|-------------------------|
| 17 | 1 | STM1610 | Bout M8x25 | Bolt M8x25 |
| 18 | 1 | STM4612 | Relais steun | Relay support |
| 19 | 2 | STM1025 | Gegolfde veerring M6 | Wave spring washer M6 |
| 20 | 2 | STM1024 | Bout M6x15 | Bolt M6x15 |
| 21 | 1 | STM6991 | Bedrading 2e dynamo | Wiring 2e alternator |
| 22 | 2 | CT40075 | Bout M5x16 | Bolt M5x16 |
| 23 | 2 | STM6159 | Zelfborgende moer M5 | Nyloc nut M5 |
| 24 | 3 | STM9050 | Relais | Relais |
| 25 | 1 | 08-01420 | ATO Zekering 10A | ATO Fuse 10A |
| 26 | 1 | STM4611 | Deksel | Cover |
| 27 | 1 | STM7591 | Sticker | Sticker |
| 28 | 1 | STM6990 | Motor bedrading 7649+6991 | Engine wiring 7649+6991 |
| 29 | 1 | STM6995 | Set extra dynamo | Set 2nd alternator |
| 30 | 1 | STM9862 | Motorbedrading standaard | Engine wiring standard |



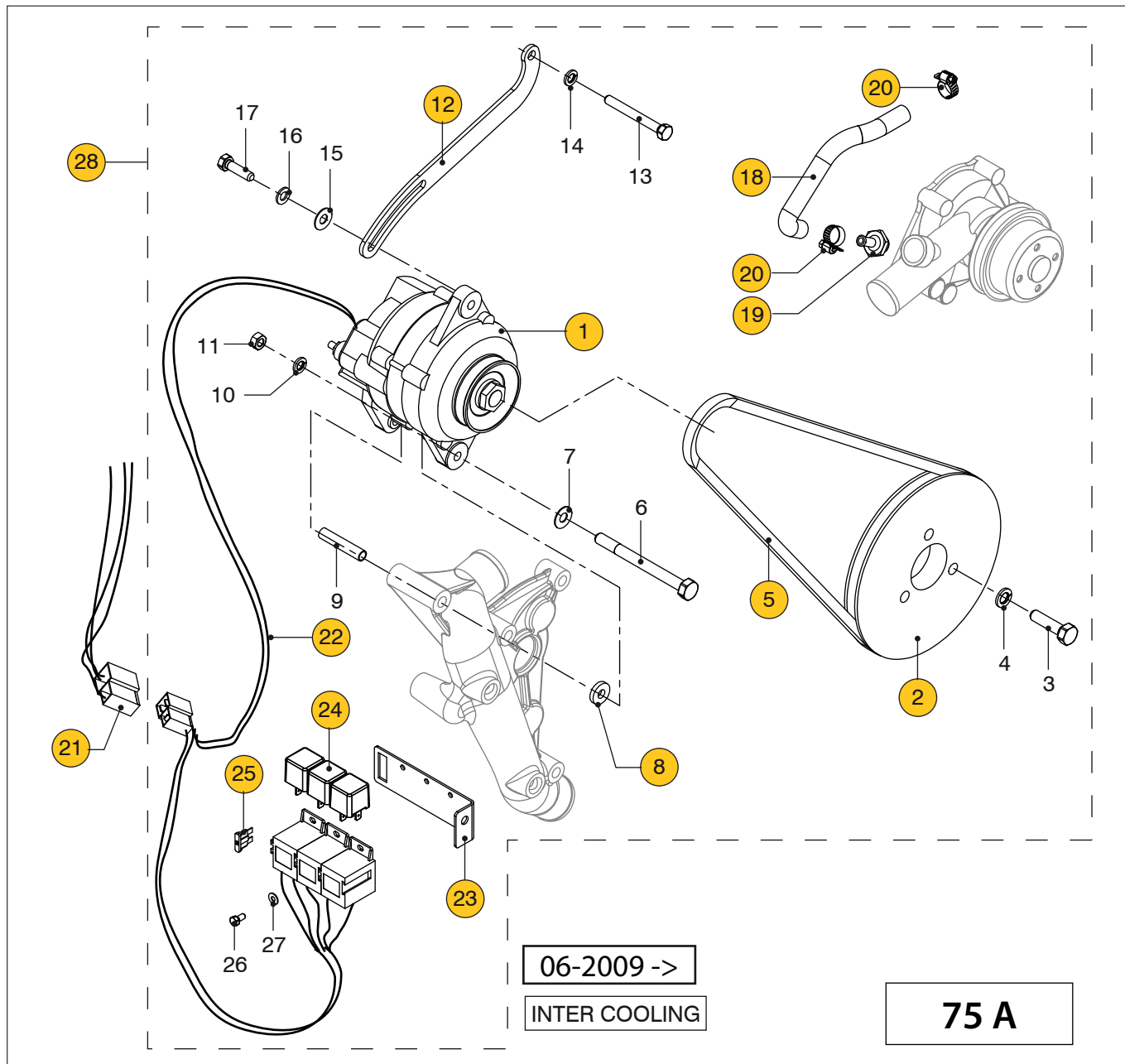
M4.15

M4.17

Tweede dynamo 12 V - 75 A, 1p., Interkoeling

Extension alternator 12 V - 75 A, 1p., Intercooling

| pos. | qty | part | benaming | description |
|------|-----|----------|----------------------------|---------------------------|
| 1 | 1 | 19-17663 | Dynamo 12V-75A 1p. | Alternator 12v-75A 1p. |
| 2 | 1 | STM7625 | V-snaar schijf dw=176 | Pulley dw=176 |
| 3 | 3 | STM3688 | Bout M10x1,25x40 | Bolt M10x1,25x40 |
| 4 | 3 | STM4014 | Veerring M10 | Spring washer M10 |
| 5 | 1 | STM9857 | V-snaar AVX10x1088la (spz) | V-belt AVX10x1088la (spz) |
| 6 | 1 | STM6121 | Bout M8x110 | M10x110 |
| 7 | 1 | STM1653 | Sluitring M8 | Ring M8 |
| 8 | 1 | CT30059 | Bus 21x8,5 d=4 | Bush 21x8,5 d=4 |
| 9 | 1 | STM9854 | Bus | Bush |
| 10 | 1 | STM1019 | Veerring M8 | Spring washer M8 |
| 11 | 1 | STM2005 | Moer M8 | Nut M8 |
| 12 | 1 | STM9856 | Spansteun | Tensioner Bracket |
| 13 | 1 | STM6562 | Bout M8x70 | Bolt M8x70 |
| 14 | 1 | STM1056 | Veerring M8 | Spring washer M8 |
| 15 | 1 | STM3749 | Ring | Washer |
| 16 | 1 | STM1019 | Gegolfde veerring M8 | Wave spring washer M8 |



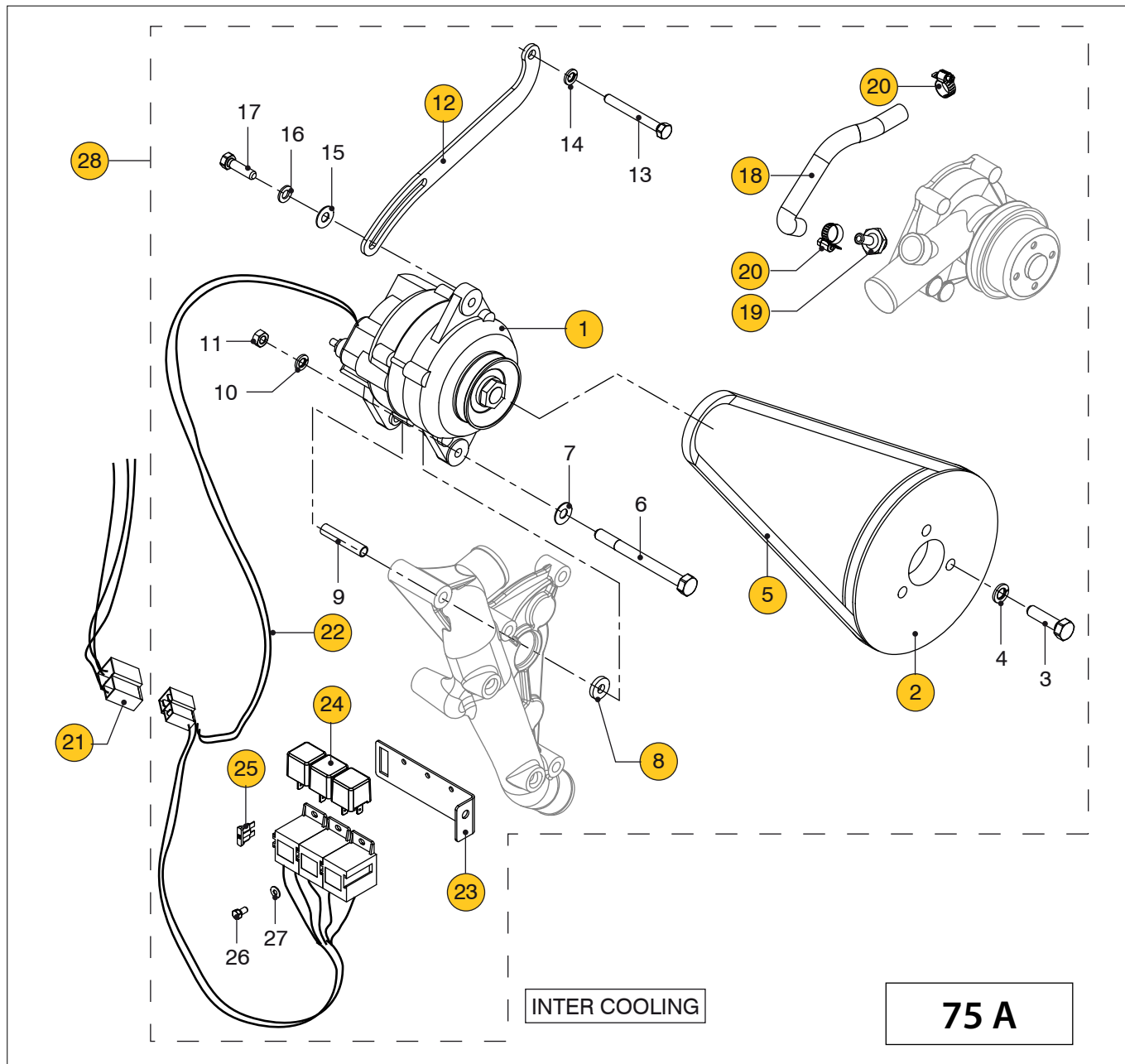
M4.15

M4.17

Tweede dynamo 12 V - 75 A, 1p., Interkoeling

Extension alternator 12 V - 75 A, 1p.,
Intercooling

| pos. | qty | part | benaming | description |
|------|-----|----------|-----------------------------|-------------------------------|
| 17 | 1 | STM3355 | Bout M8x20 | Bolt M8x20 |
| 18 | 1 | STM9440 | Slang | Hose |
| 19 | 1 | SLP3/815 | Slangpilaar | Hose pilar |
| 20 | 2 | HCS08 | Slangklem | Hose clamp |
| 21 | 1 | STM9862 | Motorbedrading | Engine wiring |
| 22 | 1 | STM9863 | Bedrading extra dynamo 75 A | Wiring second alternator 75 A |
| 23 | 1 | STM9861 | Relaissteun | Relay support |
| 24 | 3 | STM9050 | Relais | Relais |
| 25 | 1 | 08-01420 | ATO Zekering 10A | ATO Fuse 10A |
| 26 | 3 | STM9063 | Bout M5x10 | Bolt M5x10 |
| 27 | 3 | STM7294 | Gegolfde veerring M5 | Wave spring washer M5 |
| 28 | 1 | STM9806 | Set 2e dynamo 75 A | Set 2nd alternator 75 A |

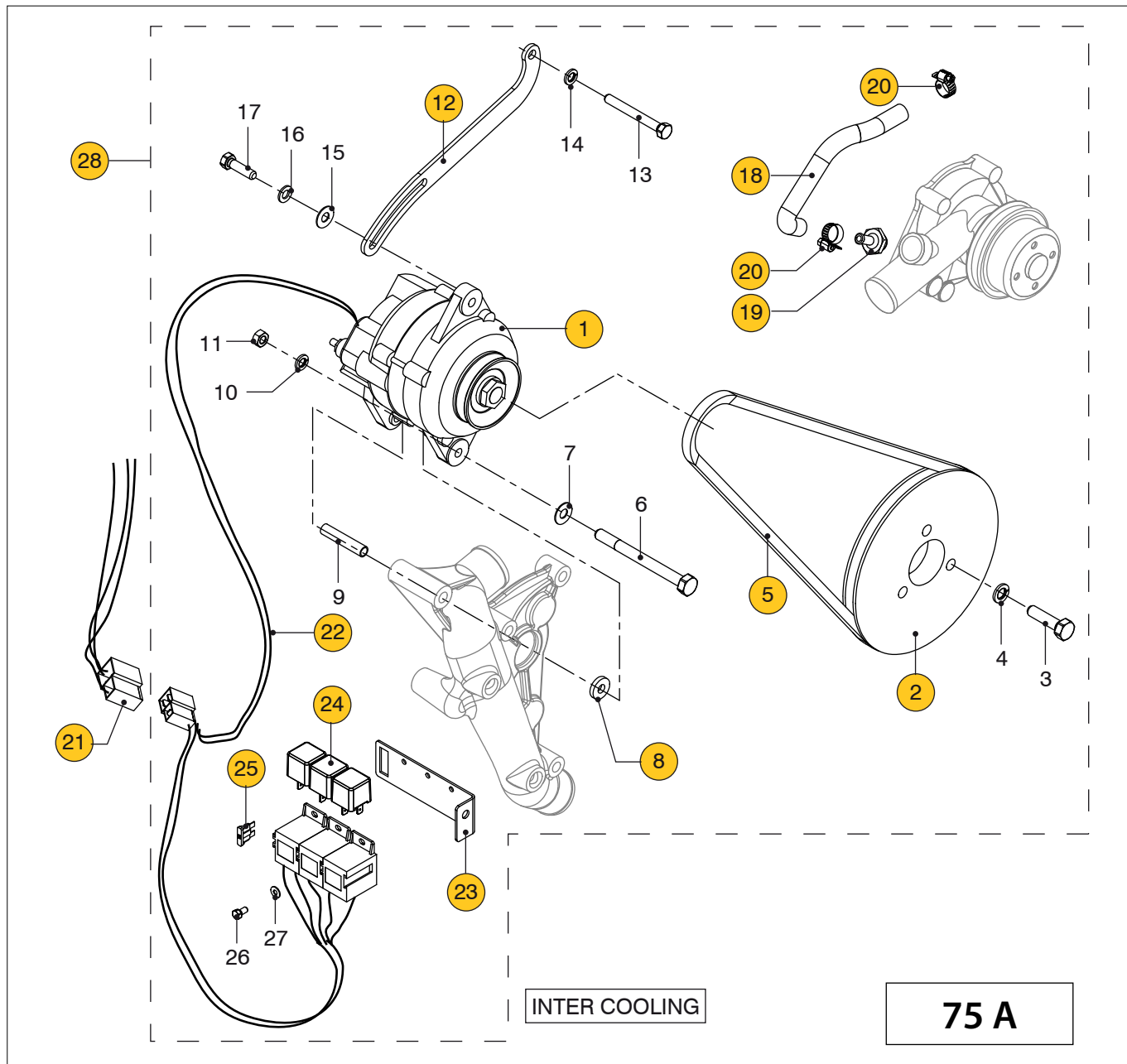


Tweede dynamo 12 V - 75 A, 1p.

Extension alternator 12 V - 75 A, 1p.

M4.35 M4.45

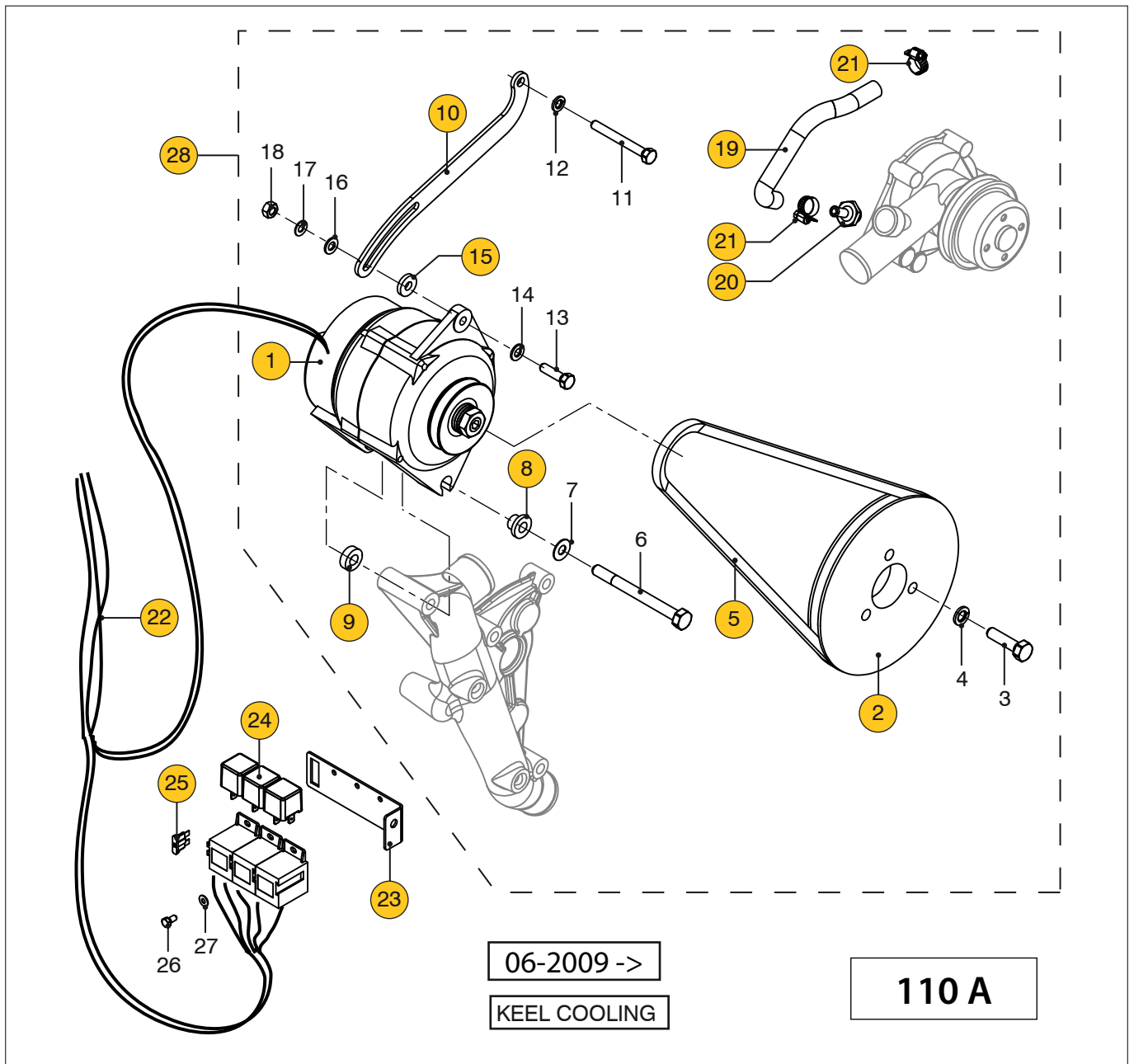
| pos. | qty | part | benaming | description |
|------|-----|----------|----------------------------|---------------------------|
| 1 | 1 | 19-17663 | Dynamo 12V-75A-1p | Alternator 12V-75A-1p |
| 2 | 1 | STM7625 | V-snaarschijf dw=176 | Pulley dw=176 |
| 3 | 3 | STM3688 | Bout M10x1,25x40 | Bolt M10x1,25x40 |
| 4 | 3 | STM4014 | Veerring M10 | Spring washer M10 |
| 5 | 1 | STM9857 | V-snaar AVX10x1088la (spz) | V-belt AVX10x1088la (spz) |
| 6 | 1 | STM6121 | Bout M8x110 | Bolt M8x110 |
| 7 | 1 | STM1653 | Sluitring M8 | Ring M8 |
| 8 | 1 | CT30059 | Bus 21x8,5 d=4 | Bush 21x8,5 d=4 |
| 9 | 1 | STM9854 | Bus | Bush |
| 10 | 1 | STM1019 | Veerring M8 | Spring washer M8 |
| 11 | 1 | STM2005 | Moer M8 | Nut M8 |
| 12 | 1 | STM9856 | Spansteun | Tensioner bracket |
| 13 | 1 | STM6562 | Bout M8x70 | Bolt M8x70 |
| 14 | 1 | STM1056 | Veerring M8 | Spring washer M8 |
| 15 | 1 | STM3749 | Ring | Washer |
| 16 | 1 | STM1019 | Gegolfde veerring M8 | Wave spring washer M8 |



Tweede dynamo 12 V - 75 A, 1p.

Extension alternator 12 V - 75 A, 1p.

| pos. | qty | M4.35 | M4.45 | part | benaming | description |
|------|-----|-------|-------|----------|---------------------------------------|---|
| 17 | 1 | | | STM3355 | Bout M8x20 | Bolt M8x20 |
| 18 | 1 | | | STM9440 | Slang | Hose |
| 19 | 1 | | | SLP3/815 | Slangpilaar | Hose pilar |
| 20 | 2 | | | HCS08 | Slangklem | Hose clamp |
| 21 | 1 | | | 08-01333 | Motorbedrading | Engine wiring |
| 22 | 1 | | | 08-01335 | Adapterkabel tweede dynamo 75A + 110A | Adapter wiring second alternator 75A + 110A |
| 23 | 1 | | | STM9861 | Relaissteun | Relays support |
| 24 | 3 | | | STM9050 | Relais | Relais |
| 25 | 1 | | | 08-01420 | ATO zekering 10A | ATO Fduse 10A |
| 26 | 3 | | | STM9063 | Bout M5x10 | Bolt M5x10 |
| 27 | 3 | | | STM7294 | Gegolfde veerring M5 | Wave spring washer M5 |
| 28 | 1 | | | 08-01337 | Set tweede dynamo 75A | Set second alternator 75A |



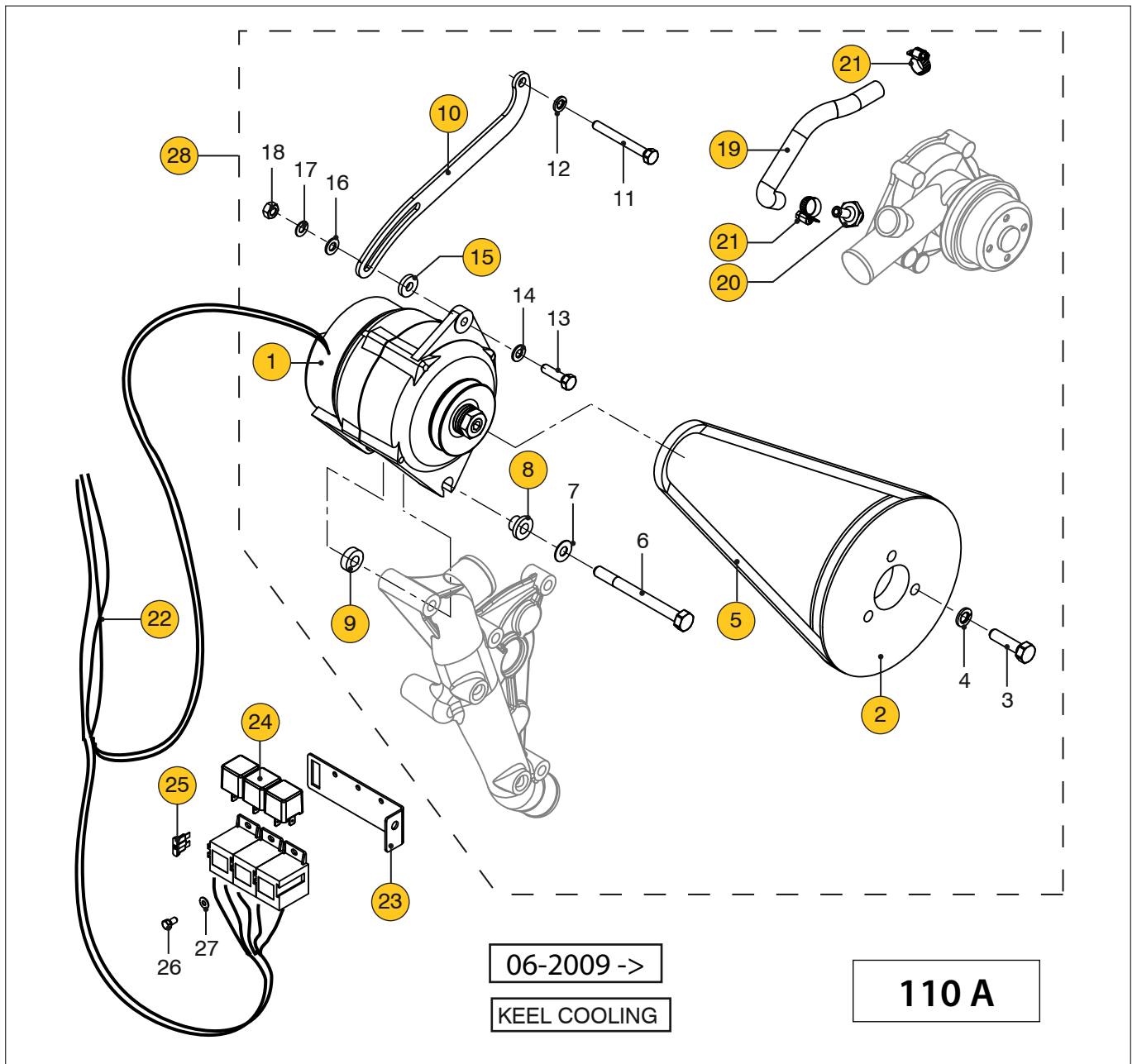
M4.15

M4.17

Tweede dynamo 12 V - 110 A, 1p., kielkoeling

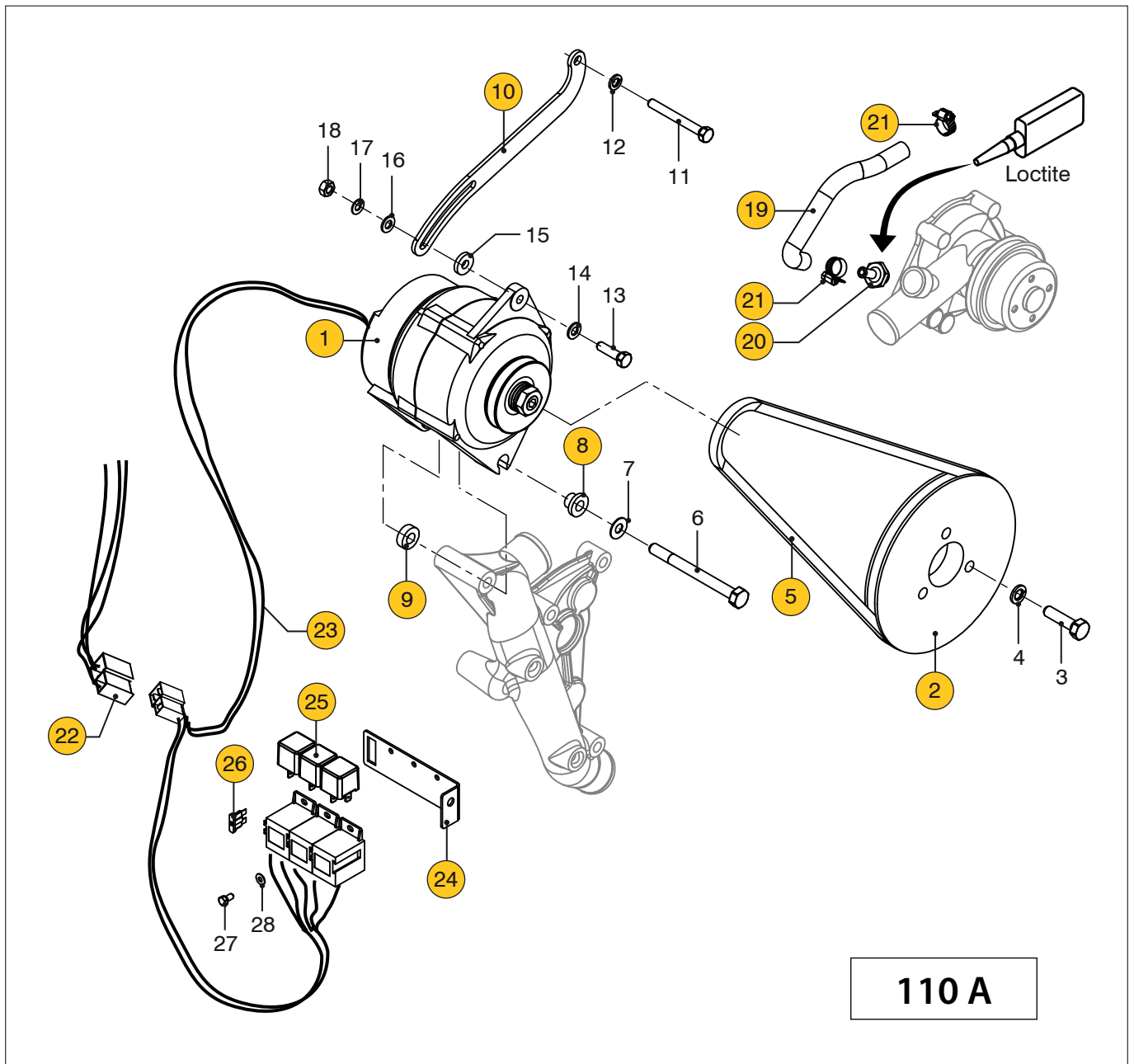
Extension alternator 12 V - 110 A, 1p., keelcooling

| pos. | qty | part | benaming | description |
|------|-----|---------|----------------------------|---------------------------|
| 1 | 1 | STM9292 | Dynamo 12V-110A 1p. | Alternator 12v-110A 1p. |
| 2 | 1 | STM7625 | V-snaar schijf dw=176 | Pulley dw=176 |
| 3 | 3 | STM3688 | Bout M10x1,25x40 | Bolt M10x1,25x40 |
| 4 | 3 | STM4014 | Veerring M10 | Spring washer M10 |
| 5 | 1 | STM9858 | V-snaar AVX10x1113la (spz) | V-belt AVX10x1113la (spz) |
| 6 | 1 | STM7642 | Bout M10x120 | M10x120 |
| 7 | 1 | STM2022 | Gegolfde veerring M10 | Wave spring washer M10 |
| 8 | 1 | STM7641 | Kraagbus | Collar bushing |
| 9 | 1 | STM9855 | Bus 22x10,5 d=7 | Bush 22x10,5 d=7 |
| 10 | 1 | STM9856 | Spansteun | Tensioner Bracket |
| 11 | 1 | STM6562 | Bout M8x70 | Bolt M8x70 |
| 12 | 1 | STM1056 | Veerring M8 | Spring washer M8 |
| 13 | 1 | STM7059 | Bout M8x30 | Bolt M8x30 |
| 14 | 1 | STM1653 | Sluitring M8 | Ring M8 |
| 15 | 1 | CT30059 | Bus d=4 | Spacer d=4 |
| 16 | 1 | STM3749 | Ring | Washer |



| M4.15 | M4.17 | Tweede dynamo 12 V - 110 A, 1p., kielkoeling | Extension alternator 12 V - 110 A, 1p., keelcooling |
|-------|-------|--|---|
|-------|-------|--|---|

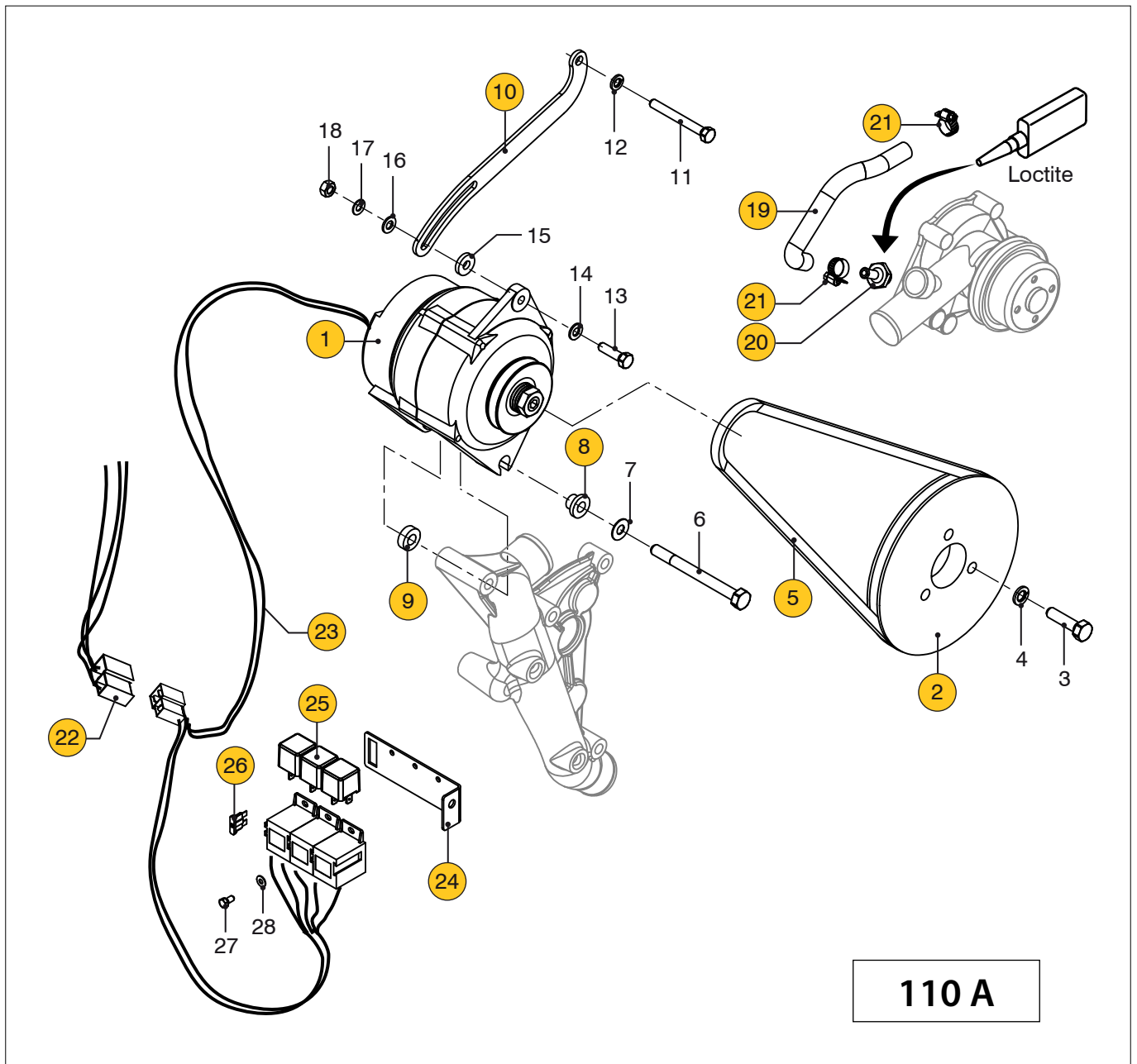
| pos. | qty | part | benaming | description |
|------|-----|----------|----------------------|--------------------------|
| 17 | 1 | STM1019 | Gegolfde veerring M8 | Wave spring washer M8 |
| 18 | 1 | STM2005 | Moer M8 | Nut M8 |
| 19 | 1 | STM9440 | Slang | Hose |
| 20 | 1 | SLP3/815 | Slangpilaar | Hose pilar |
| 21 | 2 | HCS08 | Slangklem | Hose clamp |
| 22 | 1 | STM9864 | Bedrading | Wiring |
| 23 | 1 | STM9861 | Relaissteun | Relay support |
| 24 | 3 | STM9050 | Relais | Relais |
| 25 | 1 | 08-01420 | ATO Zekering 10A | ATO Fuse 10A |
| 26 | 3 | STM9063 | Bout M5x10 | Bolt M5x10 |
| 27 | 3 | STM7294 | Gegolfde veerring M5 | Wave spring washer M5 |
| 28 | 1 | STM9805 | Set 2e dynamo 110 A | Set 2nd alternator 110 A |



Tweede dynamo 12 V - 110 A, 1p.

Extension alternator 12 V - 110 A, 1p.

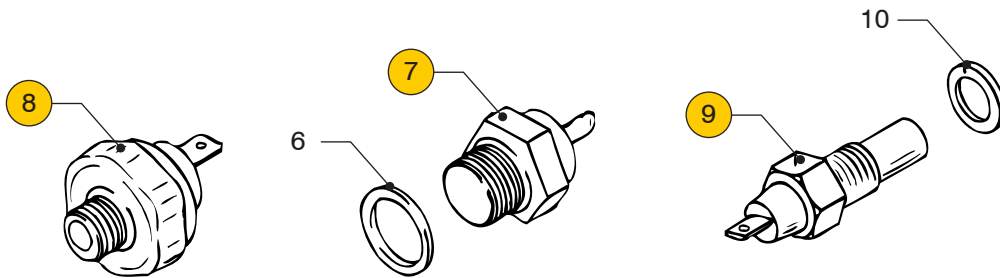
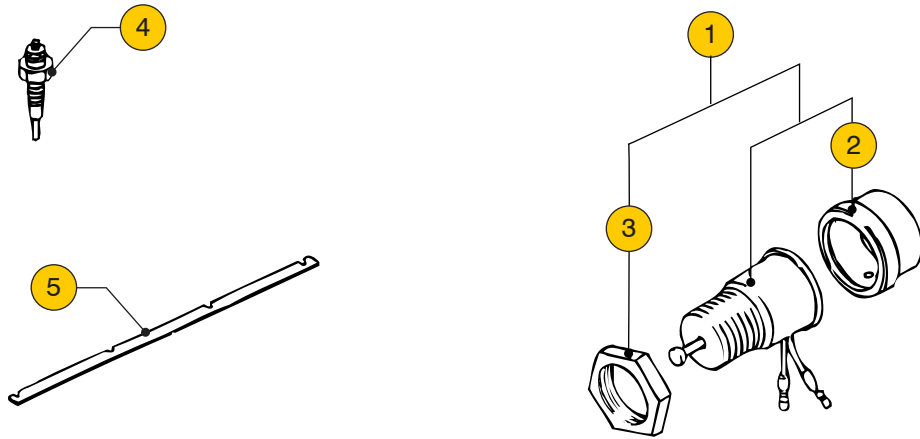
| M4.35 | M4.45 | | | |
|-------|-------|----------|----------------------------|---------------------------|
| pos. | qty | part | benaming | description |
| 1 | 1 | 19-17663 | Dynamo 12V-110-1p | Alternator 12V-110A-1p |
| 2 | 1 | STM7625 | V-snaarschijf dw=176 | Pulley dw=176 |
| 3 | 3 | STM3688 | Bout M10x1,25x40 | Bolt M10x1,25x40 |
| 4 | 3 | STM4014 | Veerring M10 | Spring washer M10 |
| 5 | 1 | STM9858 | V-snaar AVX10x1113la (spz) | V-belt AVX10x1113la (spz) |
| 6 | 1 | STM7642 | Bout M10x120 | Bolt M10x120 |
| 7 | 1 | STM2022 | Sluitring M10 | Ring M10 |
| 8 | 1 | STM7641 | Kraagbus | Collar bushing |
| 9 | 1 | STM9855 | Bus 22x10,5 d=7 | Bush 22x10,5 d=7 |
| 10 | 1 | STM9856 | Spansteun | Tensioner bracket |
| 11 | 1 | STM6562 | Bout M8x70 | Bolt M8x70 |
| 12 | 1 | STM1056 | Veerring M8 | Spring washer M8 |
| 13 | 1 | STM7059 | Bout M8x30 | Bolt M8x30 |
| 14 | 1 | STM1659 | Sluitring M8 | Washer M8 |
| 15 | 1 | CT30059 | Bus d=4 | Bush d=4 |
| 16 | 1 | STM3749 | Ring | Washer |



Tweede dynamo 12 V - 110 A, 1p.

Extension alternator 12 V - 110 A, 1p.

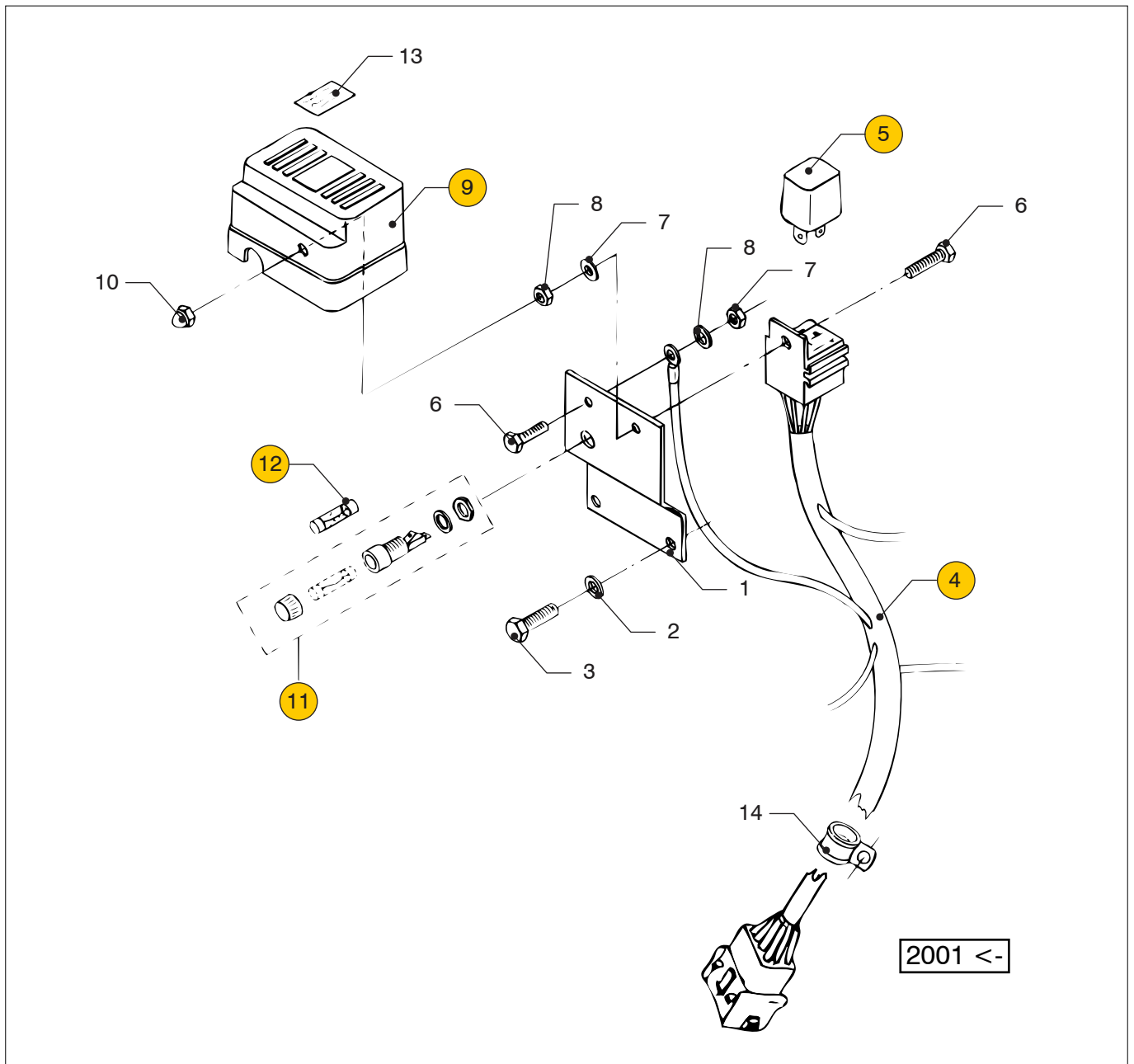
| M4.35 | | M4.45 | | | |
|-------|-----|----------|---------------------------------------|---|--|
| pos. | qty | part | benaming | description | |
| 17 | 1 | STM1019 | Gegolfde veerring M8 | Wave spring washer M8 | |
| 18 | 1 | STM2005 | Moer M8 | Nut M8 | |
| 19 | 1 | STM9440 | Slang | Hose | |
| 20 | 1 | SLP3/815 | Slangpilaar | Hose pilar | |
| 21 | 2 | HCS08 | Slangklem | Hose clamp | |
| 22 | 1 | 08-01333 | Motorbedrading | Engine wiring | |
| 23 | 1 | 08-01335 | Adapterkabel tweede dynamo 75A + 110A | Adapter wiring second alternator 75A + 110A | |
| 24 | 1 | STM9861 | Relaissteun | Relais support | |
| 25 | 3 | STM9050 | Relais | Relais | |
| 26 | 1 | 08-01420 | ATO zekering 10A | ATO Fuse 10A | |
| 27 | 3 | STM9063 | Bout M5x10 | Bolt M5x10 | |
| 28 | 3 | STM7294 | Gegolfde veerring M5 | Wave spring washer M5 | |



M4.15 M4.17
M4.35 M4.45 **Zenders + schakelaars**

Sender units + switches

| pos. | qty | part | benaming | description |
|------|-----|---------|---|--|
| 1 | 1 | STM2740 | Stopmagneet cpl. | Solenoid cpl. |
| 2 | 1 | STM3650 | Rubber kap | Rubber cap |
| 3 | 1 | STM2742 | Moer | Nut |
| 4 | 4 | STM7931 | Gloeibougje | Glow plu |
| 5 | 1 | STM7932 | Strip | Plate |
| 6 | 1 | STM6269 | Afdichtring M16 | Seal washer M16 |
| 7 | 1 | STM7999 | Temp. schak. koelvl.st. 105 °C M16x1,5 1p | Temp. switch coolant 105 °C M16x1.5 1p |
| 8 | 1 | STM7834 | Oliedrukschakelaar M10x1k 1p | Oil pressure switch M10x1k 1p |
| 9 | 1 | STM2006 | Temp.schak. uitlaat 75°C M18x1,5 1p | Temp. switch exhaust 75°C M18x1.5 1p |
| 10 | 1 | STM2019 | Afdichtring | Seal washer |



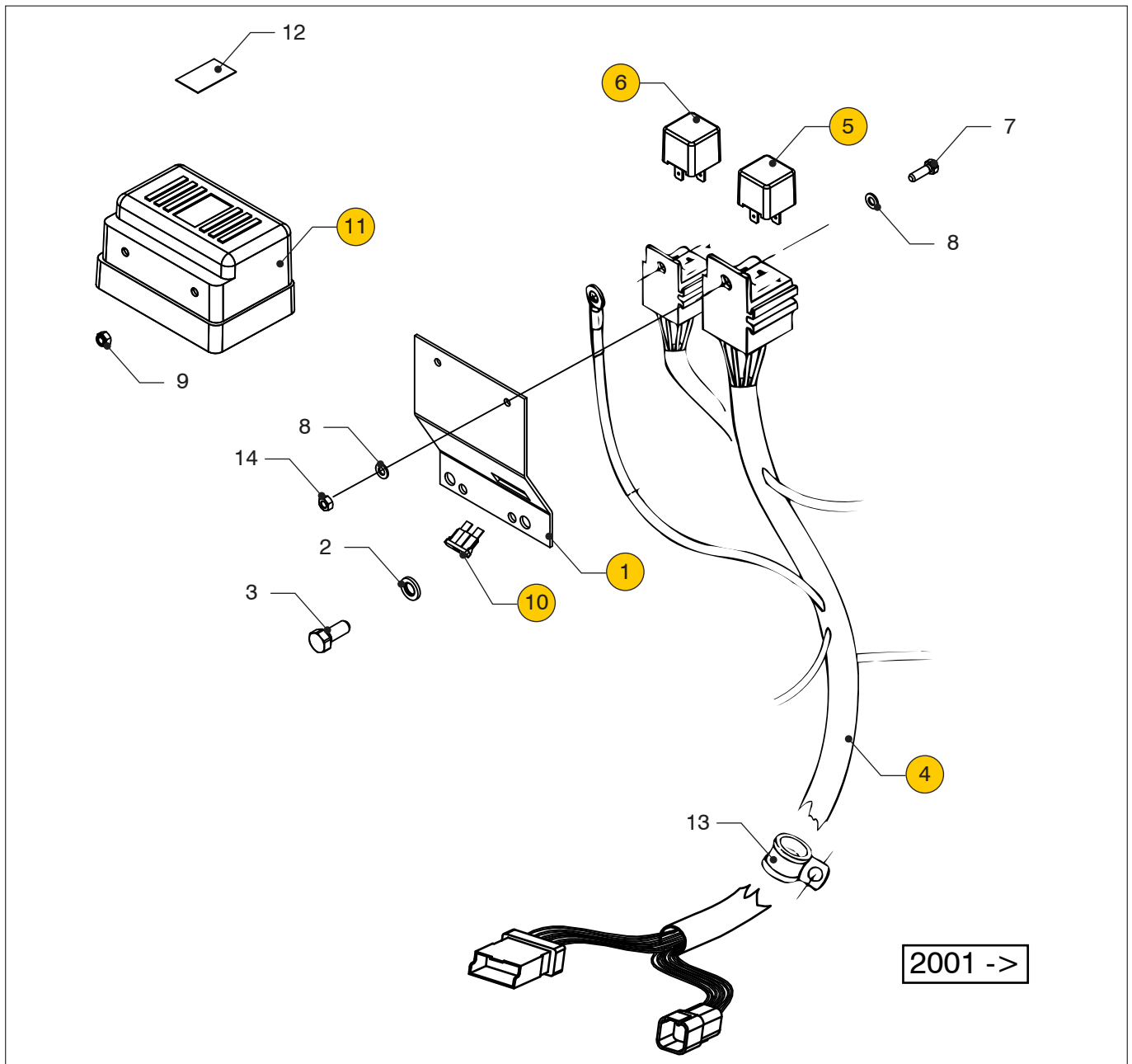
M4.15

M4.17

Bedradingskast, 2001 <-

Terminal box, 2001 <-

| pos. | qty | part | benaming | description |
|------|-----|---------|----------------------------------|-------------------------------|
| 1 | 1 | STM6412 | Bedradingssteun | Wiring support |
| 2 | 2 | STM1019 | Gegolfde veerring M8 | Wave spring washer M8 |
| 3 | 2 | STM3355 | Bout M8x1,25x20 | Bolt M8x1.25x20 |
| 4 | 1 | STM9862 | Motorbedrading | Engine wiring |
| 5 | 1 | STM9043 | Relais 12V-70A | Relais 12V-70A |
| 6 | 2 | STM9062 | Bout M5x0,8x20 | Bolt M5x0.8x20 |
| 7 | 2 | STM8177 | Gegolfde veerring M5 | Wave spring washer M5 |
| 8 | 3 | STM1705 | Moer M5 | Nut M5 |
| 9 | 1 | STM6248 | Deksel | Cover |
| 10 | 1 | STM6159 | Zelfborgende moer M5 | Nyloc nut M5 |
| 11 | 1 | STM9184 | Zekeringhouder | Fuse support |
| 12 | 1 | STM9185 | Glaszekering 10A traag ø6,3x32mm | Glass fuse 10A slow ø6,3x32mm |
| 13 | 1 | STM7591 | Sticker | Sticker |
| 14 | 1 | STM3066 | Klem | Clamp |



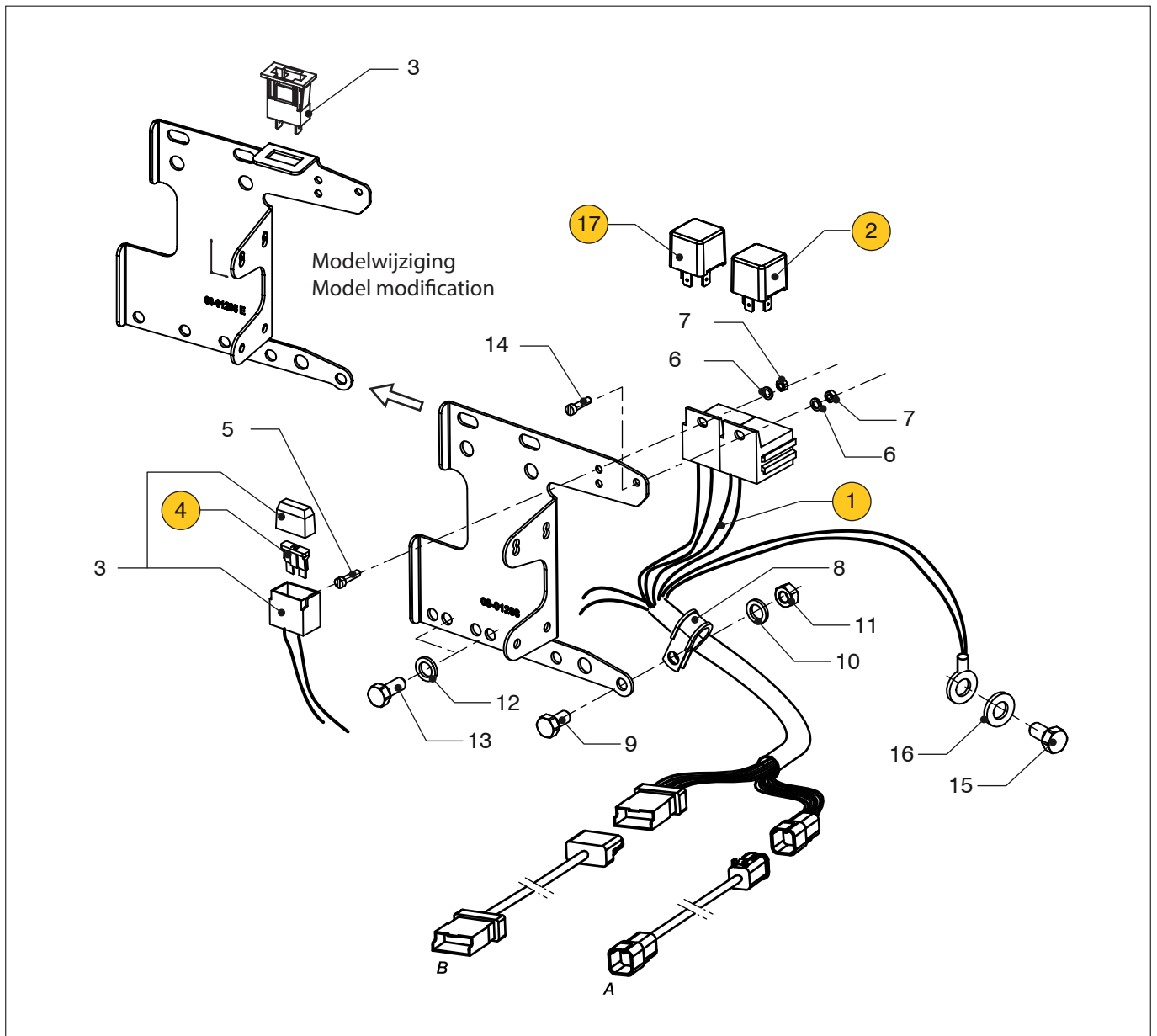
M4.15

M4.17

Bedradingskast, 2001 ->

Terminal box, 2001 ->

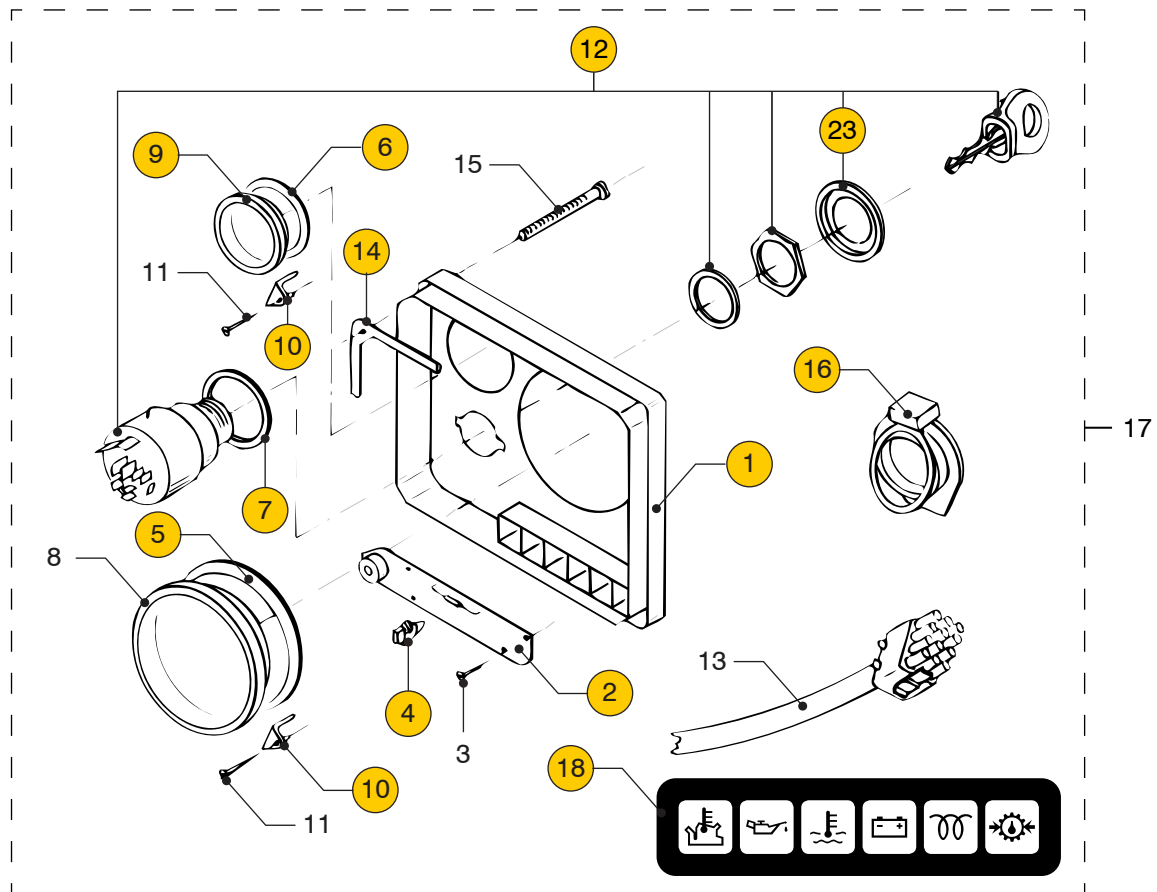
| pos. | qty | part | benaming | description |
|------|-----|----------|--|---|
| 1 | 1 | STM4612 | Bedradingssteun | Wiring support |
| 2 | 2 | STM1056 | Veerring M8 | Spring washer M8 |
| 3 | 2 | STM3355 | Bout M8x20 | Bolt M8x20 |
| 4 | 1 | STM9862 | Motorbedrading 110 A dynamo 06-2009 -> | Engine wiring 110 A alternator 06-2009 -> |
| 5 | 1 | STM9050 | Relais 12V-30A | Relay 12V-30A |
| 6 | 1 | STM9043 | Relais 12V-70A | Relay 12V-70A |
| 7 | 2 | CT40075 | Bout M5x16 | Bolt M5x16 |
| 8 | 4 | STM8177 | Gegolfde veerring M5 | Wave spring washer M5 |
| 9 | 2 | STM6159 | Zelfborgende moer M5 | Nyloc nut M5 |
| 10 | 1 | 08-01420 | ATO steekzekering 10A | ATO fuse 10A |
| 11 | 1 | STM4611 | Deksel | Cover |
| 12 | 1 | STM7591 | Sticker | Sticker |
| 13 | 1 | STM3066 | Klem | Clamp |
| 14 | 2 | STM1705 | Moer M5 | Nut M5 |



Motorbedrading

Engine wiring

| pos. | qty | M4.35 | M4.45 | part | benaming | description |
|------|-----|-------|-------|----------|----------------------------|------------------------|
| ① | 1 | | | 08-01333 | Motorbedrading 110A | Engine wiring 110A |
| ② | 1 | | | STM9050 | Relais 12V-30A | Relay 12V-30A |
| 3 | 1 | | | 08-01290 | Zekering houder <- 11-2021 | Fuse holder <- 11-2021 |
| | 1 | | | 21-21242 | Zekering houder 11-2021 -> | Fuse holder 11-2021 -> |
| ④ | 1 | | | 08-01420 | Steek zekering ATOF 20A | ATOF fuse 20A |
| 5 | 1 | | | 08-01303 | Schroef M4x16 | Screw M4x16 |
| 6 | 2 | | | CT40042 | Gegolfde veerring M4 | Wave spring washer M4 |
| 7 | 2 | | | STM9113 | Zelfborgende moer M4 | Nyloc nut M4 |
| 8 | 1 | | | STM4593 | Klem Ø 14 | Clamp Ø 14 |
| 9 | 1 | | | STM3355 | Bout M8x20 | Bolt M8x20 |
| 10 | 1 | | | STM1019 | Gegolfde ring M8 | Wave spring washer M8 |
| 11 | 1 | | | STM2005 | Moer M8 | Nut M8 |
| 12 | 2 | | | STM1019 | Gegolfde veerring M8 | Wave spring washer M8 |
| 13 | 2 | | | STM4055 | Bout M8x16 | Bolt M8x16 |
| 14 | 1 | | | STM9798 | Bout M5x8 | Bolt M5x8 |
| 15 | 1 | | | STM7053 | Bout M12x1,25x30 | Bolt M12x1,25x30 |
| 16 | 1 | | | STM8210 | Sluitring M12 | Washer M12 |
| ⑰ | 1 | | | STM9043 | Relais 12V - 70 A | Relay 12V - 70 A |



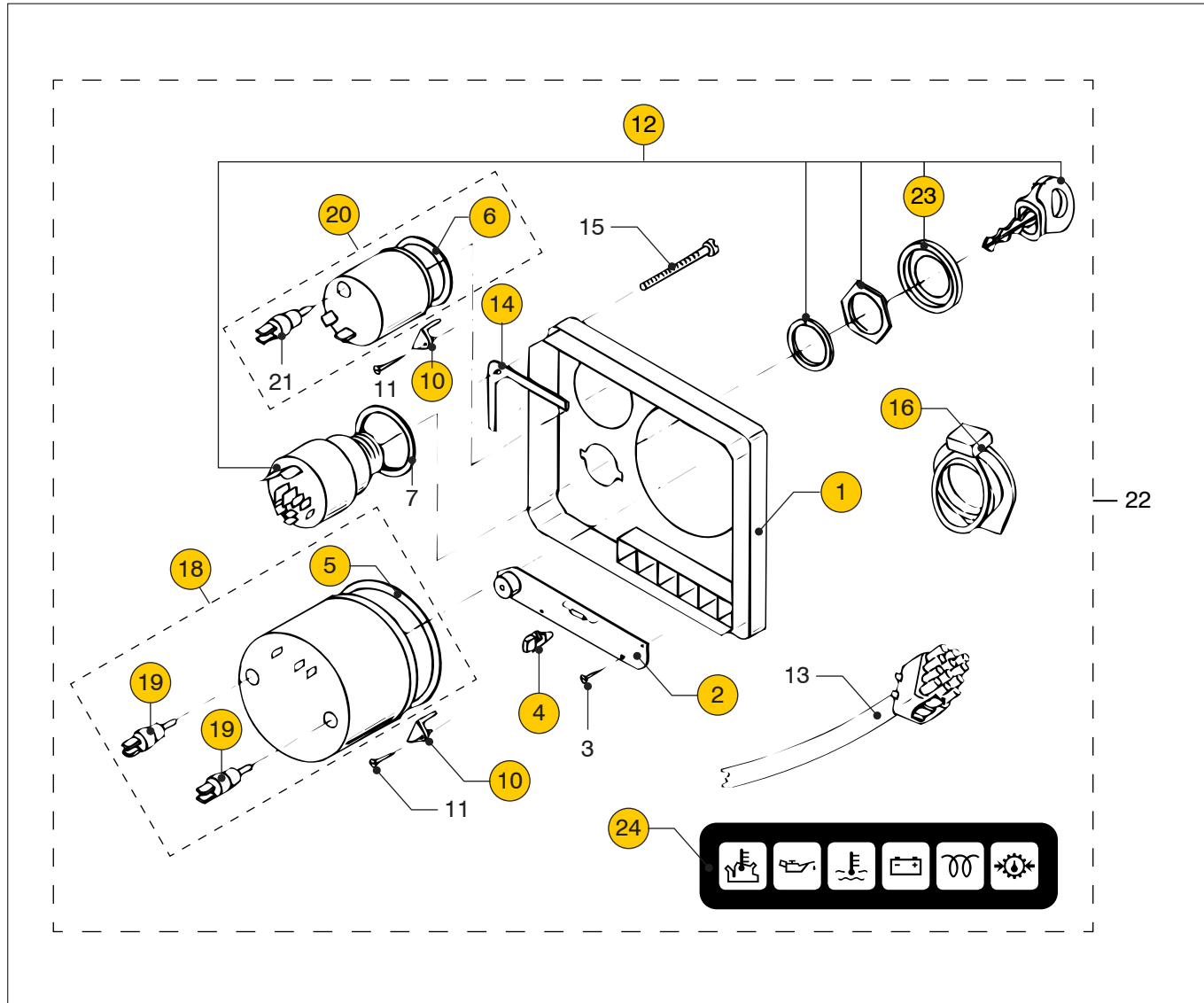
M4.15

M4.17

Instrumenten paneel '20' standaard 2001 <-

Instrument panel '20' standard 2001 <-

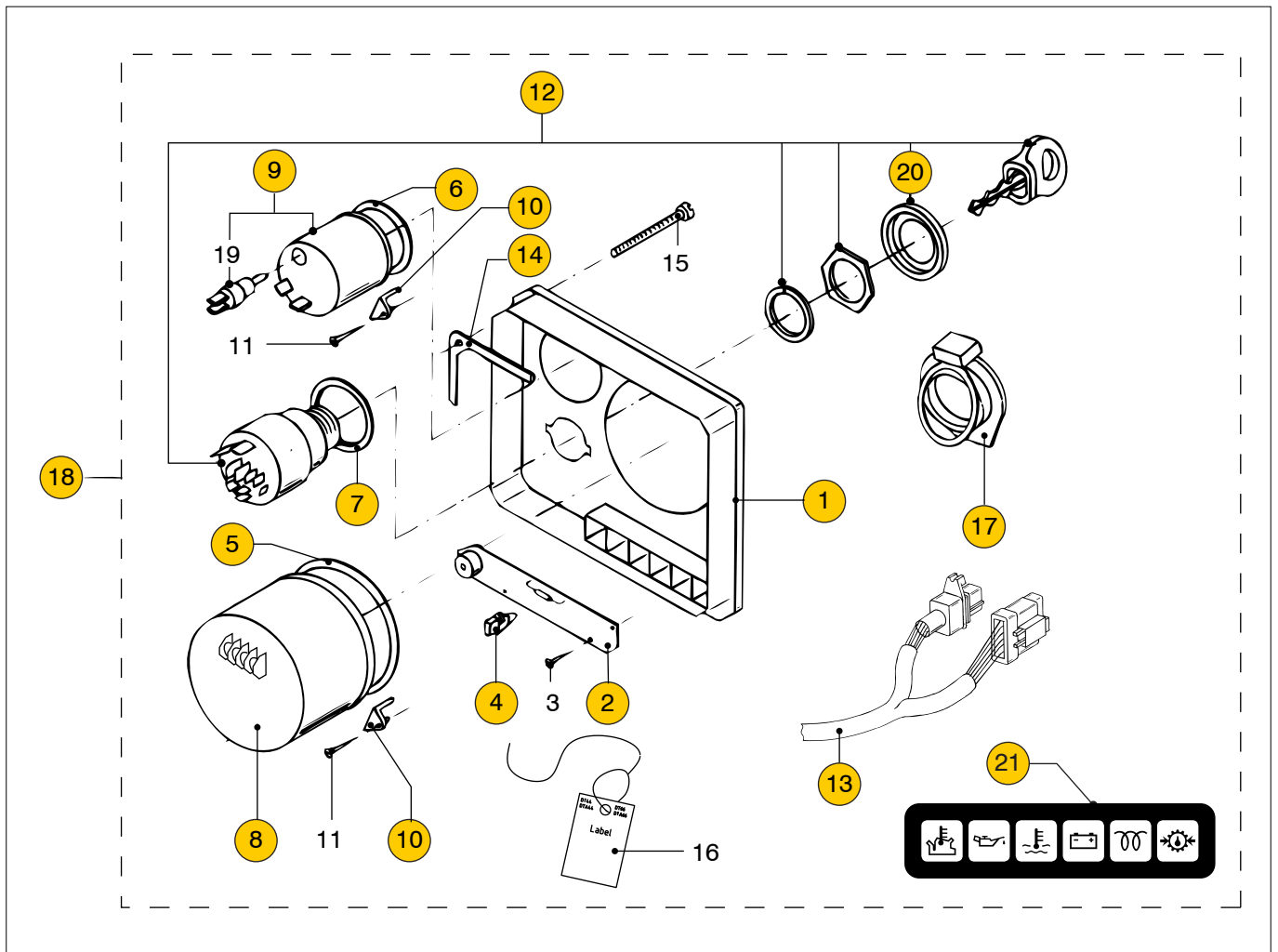
| pos. | qty | part | benaming | description |
|------|-----|-----------|----------------------------|---------------------------|
| 1 | 1 | STM9186 | Paneel | Panel |
| 2 | 1 | STM9168 | Print cpl. | Print cpl. |
| 3 | 4 | P2295RKP | Plaatschroef | Screw |
| 4 | 6 | STM9169 | Gloeilamp 12V. | Bulb 12V. |
| 5 | 1 | STM9170 | Pakking | Gasket |
| 6 | 1 | STM9171 | Pakking | Gasket |
| 7 | 1 | STM9172 | Pakking | Gasket |
| 8 | 1 | STM9173 | Blindplaat ø98 | Blind plate ø98 |
| 9 | 1 | PA6493 | Blindplaat ø48 | Blind plate ø48 |
| 10 | 6 | PA6488 | Beugel | Support |
| 11 | 6 | P35164RKP | Plaatschroef | Screw |
| 12 | 1 | STM9215 | Contactslot + sleutel | Ignition + key |
| 13 | 1 | STM9164 | Paneelbedrading | Panel wiring |
| 14 | 1 | STM6982 | Pakking | Gasket |
| 15 | 4 | P35254ZKP | Plaatschroef | Screw |
| 16 | 1 | STM9188 | Contactslot deksel | Ignition cover |
| 17 | 1 | STM9187 | Paneel zonder instrumenten | Panel without instruments |
| 18 | 1 | FFMP23 | Front folie | Front foil |
| 23 | 1 | STM9888 | Kap | Cover |



M4.15 M4.17 Instrumenten paneel '22' standaard 2001<-

Instrument panel '22' standard 2001<-

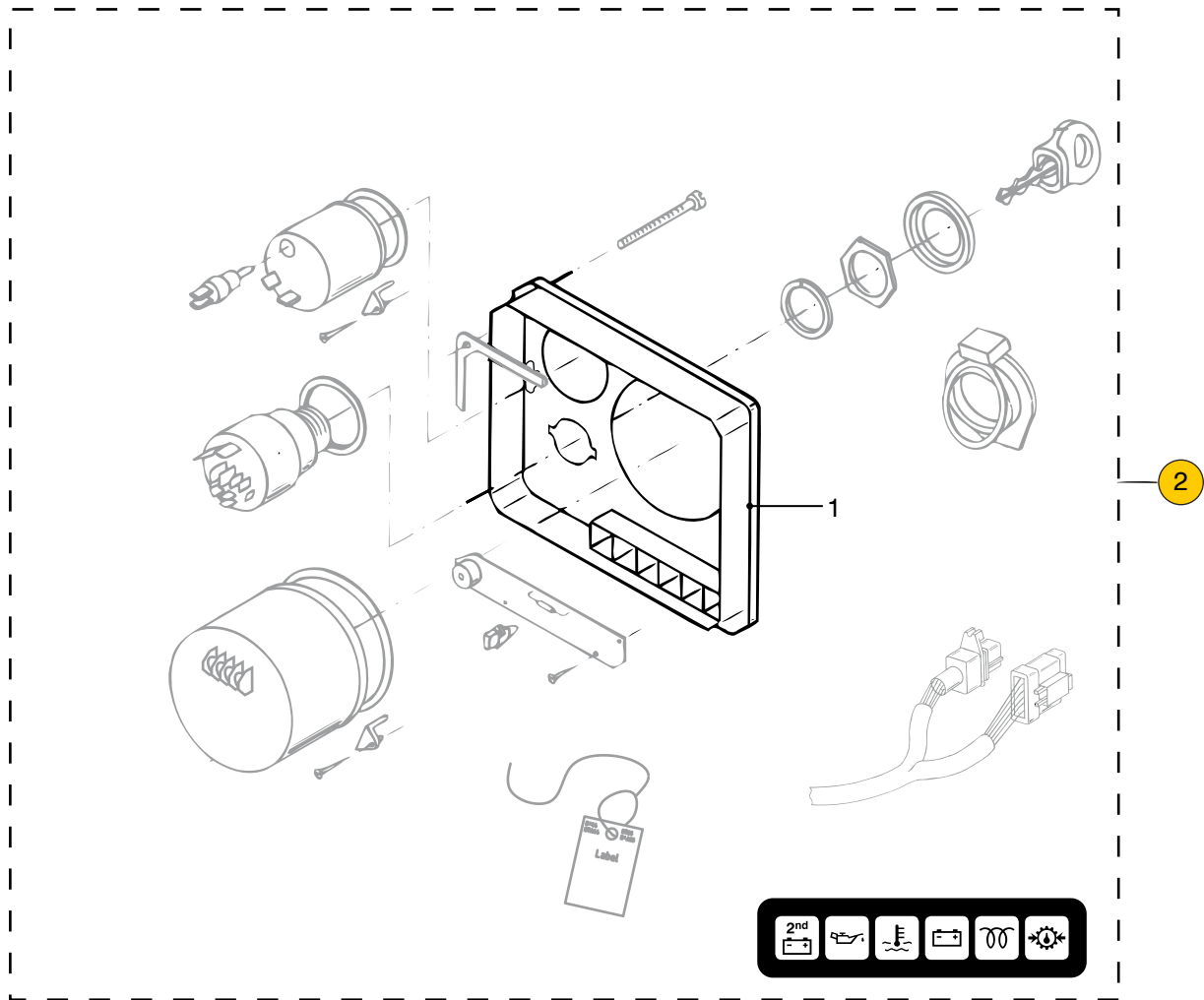
| pos. | qty | part | benaming | description |
|------|-----|-----------|--------------------------|------------------------|
| 1 | 1 | STM9186 | Paneel | Panel |
| 2 | 1 | STM9168 | Print cpl. | Print cpl. |
| 3 | 4 | P2295RKP | Plaatschroef | Screw |
| 4 | 6 | STM9169 | Gloeilamp 12V. | Bulb 12V. |
| 5 | 1 | STM9170 | Pakking | Gasket |
| 6 | 1 | STM9171 | Pakking | Gasket |
| 7 | 1 | STM9172 | Pakking | Gasket |
| 10 | 6 | PA6488 | Beugel | Support |
| 11 | 6 | P35164RKP | Plaatschroef | Screw |
| 12 | 1 | STM9215 | Contactslot + sleutel | Ignition + key |
| 13 | 1 | STM9164 | Paneelbedrading | Panel wiring |
| 14 | 1 | STM6982 | Pakking | Gasket |
| 15 | 4 | P35254ZKP | Plaatschroef | Screw |
| 16 | 1 | STM9188 | Contactslot deksel | Ignition cover |
| 18 | 1 | TACHB4000 | Toerenteller 4000rpm | Tacho meter 4000rpm |
| 19 | 2 | SET40131 | Gloeilamp 12V. | Bulb 12V. |
| 20 | 1 | VOLT.... | Voltmeter | Volt meter |
| 21 | 1 | CT40133 | Gloeilamp 12V. | Bulb 12V. |
| 22 | 1 | STM9191 | Paneel incl.instrumenten | Panel incl.instruments |
| 23 | 1 | STM9888 | Kap | Cover |
| 24 | 1 | FFMP23 | Front folie | Front foil |



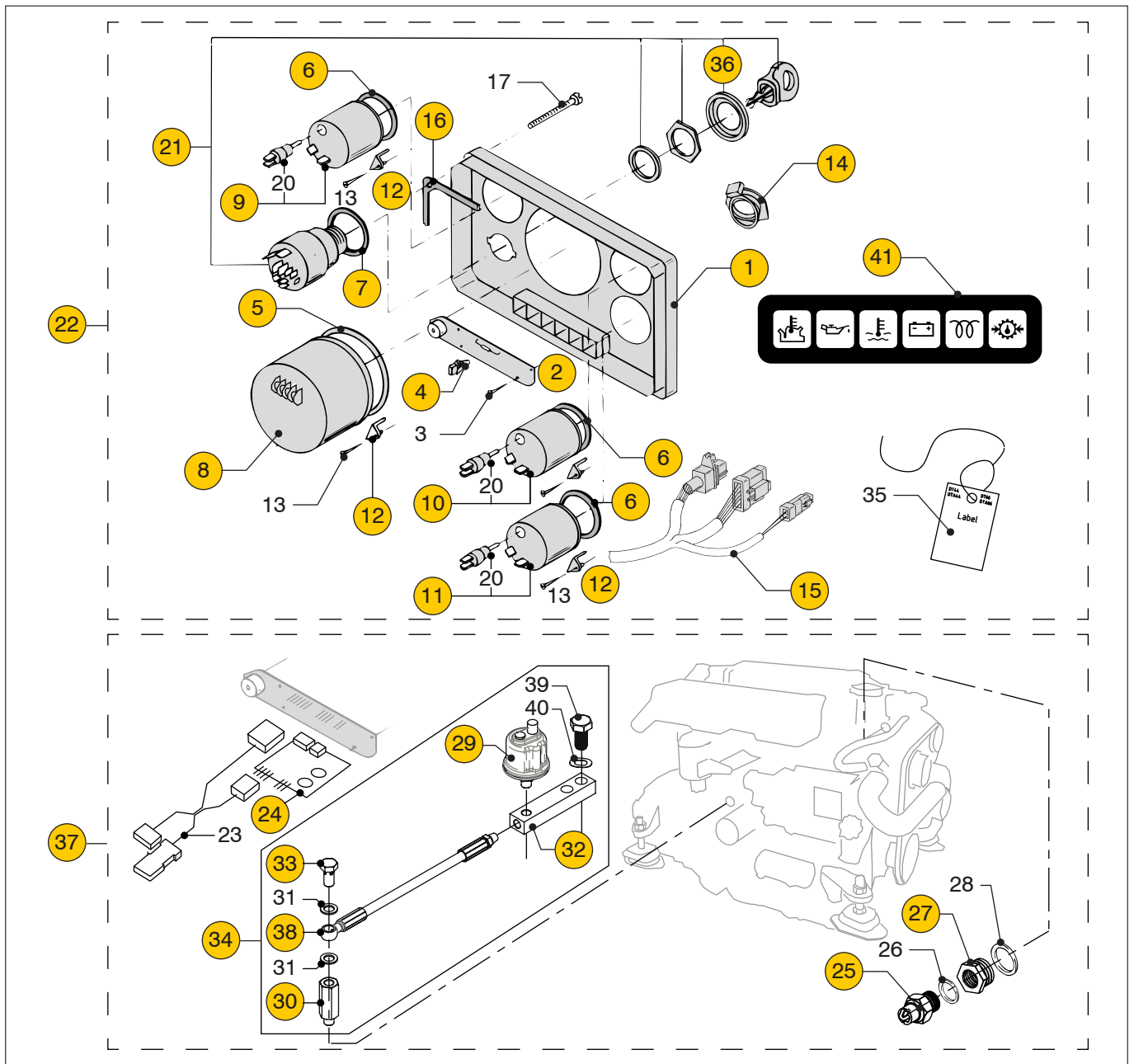
M4.15 M4.17 Instrumenten paneel '22' standaard 2001 ->

Instrument panel '22' standard 2001 ->

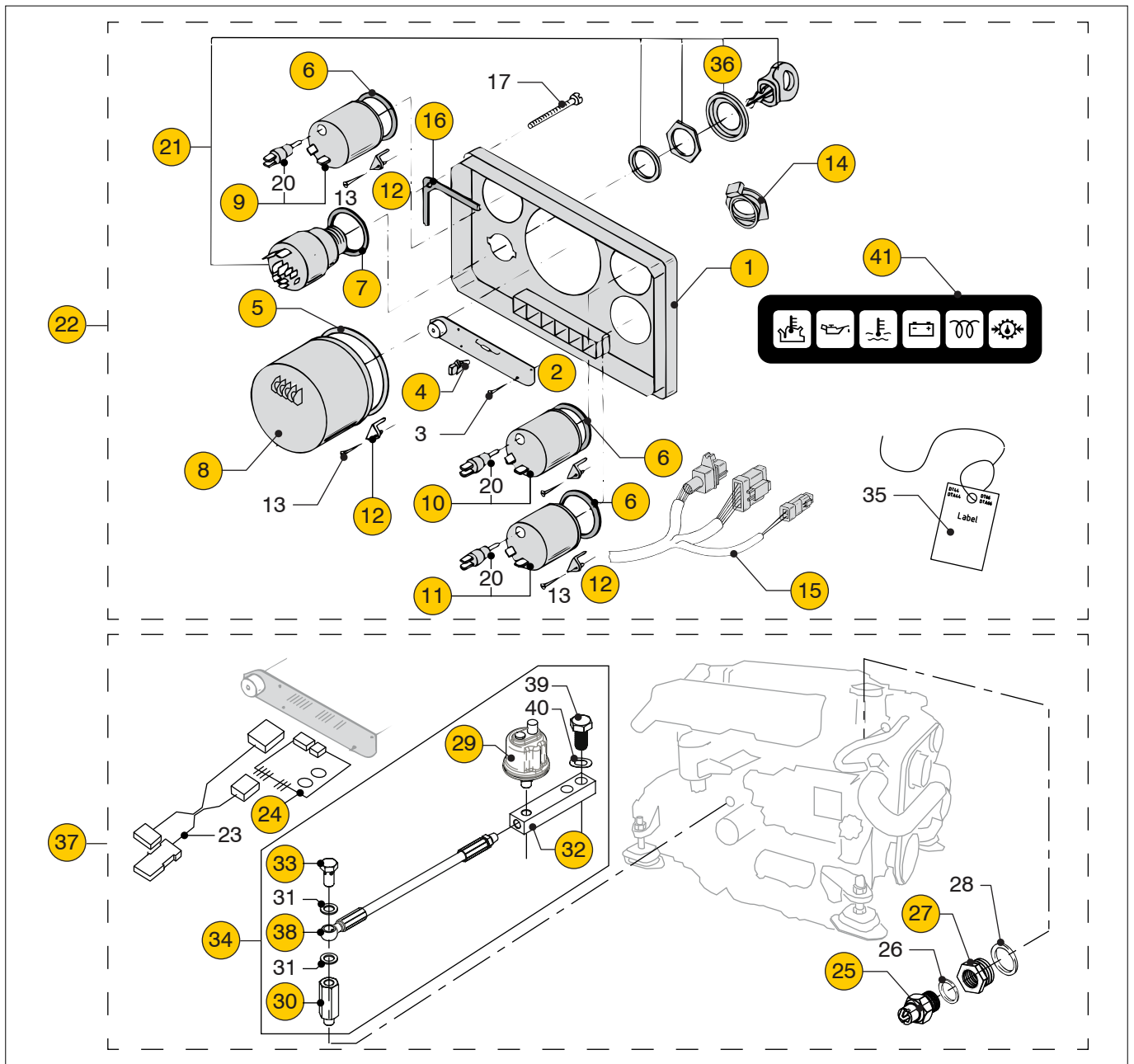
| pos. | qty | part | benaming | description |
|------|-----|-----------|---|---|
| 1 | 1 | STM9186 | Paneel incl. frontfolie | Panel incl. overlay |
| 2 | 1 | 08-01351 | Print MP20, 21, 22 cpl. 12 V | PCB MP20, 21, 22 cpl. 12 V |
| 3 | 4 | P2295RKP | Plaatschroef | Screw |
| 4 | 6 | STM9169 | Gloeilamp 12 V | Bulb 12 V |
| 5 | 1 | STM9170 | Pakking | Gasket |
| 6 | 1 | STM9171 | Pakking | Gasket |
| 7 | 1 | STM9172 | Pakking | Gasket |
| 8 | 1 | TACHB4000 | Toeren/urenteller, zwart, 0-4000 rpm | Tachometer/hour counter, black, 0-4000 rpm |
| 9 | 1 | VOLT.... | Voltmeter, zwart, 12 V | Voltmeter, zwart, 12 V |
| 10 | 6 | PA6488 | Beugel | Bracket |
| 11 | 6 | P35134RKP | Plaatschroef | Screw |
| 12 | 1 | STM9215 | Contactslot + sleutel | Key switch + key |
| 13 | 1 | MP35374 | Paneelbedrading | Wiring |
| 14 | 1 | STM9180 | Pakking | Gasket |
| 15 | 4 | P35254ZKP | Plaatschroef | Screw |
| 16 | 1 | STM9731 | Label 'Afregele toerenteller' | Label 'Adjusting tachometer' |
| 17 | 1 | STM9188 | Contactslot deksel | Key switch cover |
| 18 | 1 | MP22..... | Instr.paneel cpl. zwarte instr. 0-4000 rpm 12 V | Instr.panel cpl. black instr. 0-4000 rpm 12 V |
| | 1 | MP22..... | Instr.paneel cpl. beige instr. 0-4000 rpm 12 V | Instr.panel cpl. beige instr. 0-4000 rpm 12 V |
| 19 | 1 | CT40133 | Gloeilamp 12 V | Bulb 12 V |
| 20 | 1 | STM9888 | Kap | Cover |
| 21 | 1 | FFMP23 | Front folie | Front foil |



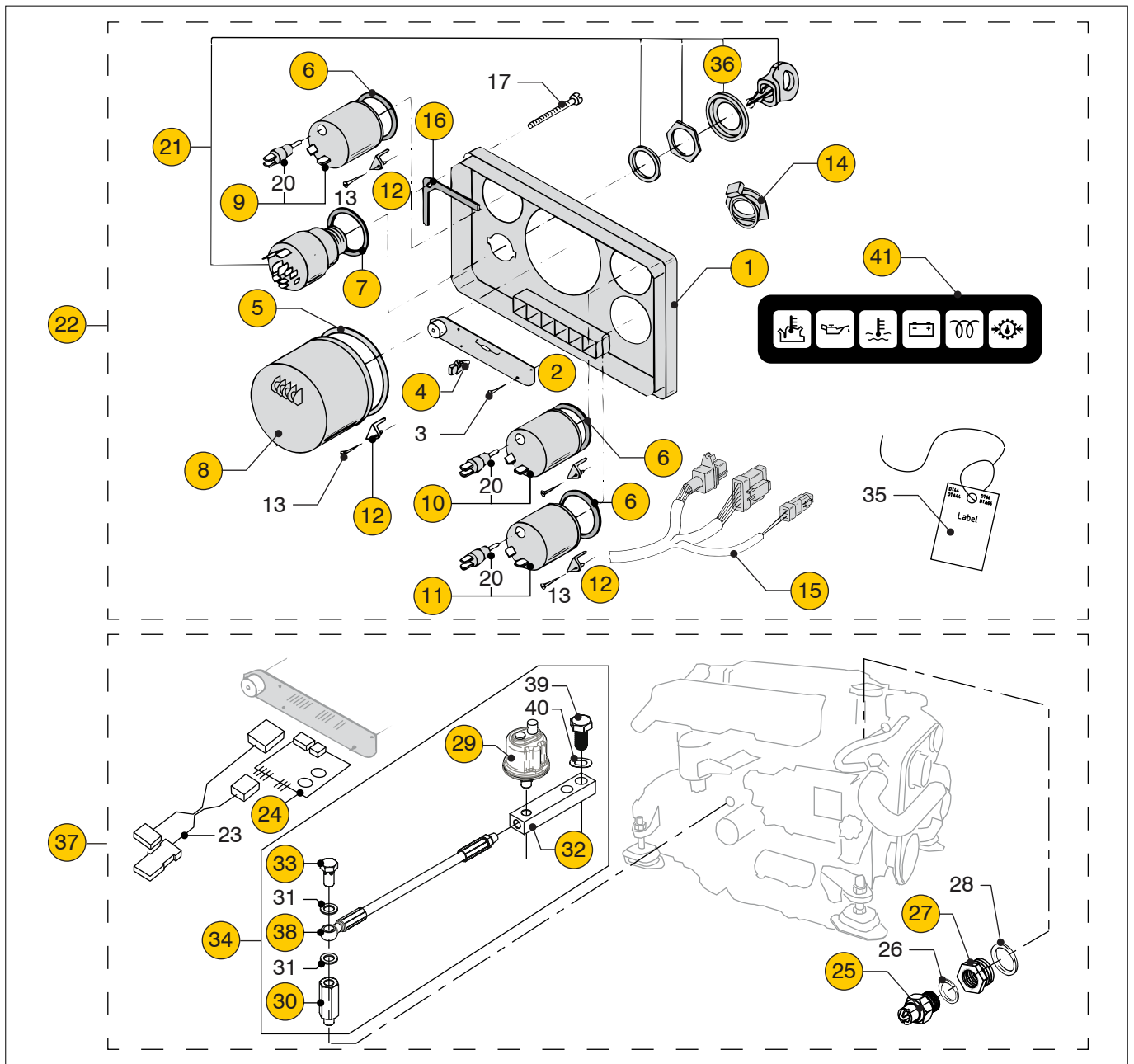
| M4.15 M4.35 | | M4.17 M4.45 | | Instr. paneel model '22' voor motor met 2e dynamo, kielkoeling | Instr. panel model '22' for engine with 2nd alternator, keelcooling |
|----------------|-----|----------------|---|--|---|
| pos. | qty | part | benaming | description | |
| 1 | 1 | STM6993 | Paneel incl. fr.folie met 2 x laadcont. symbool | Panel incl. overlay w. 2 x batt.charging symb. | |
| 2 | 1 | MP22KBS12D | Instr.paneel cpl. zwarte instr. 0-4000 rpm 12 V | Instr.panel cpl. black instr. 0-4000 rpm 12 V | |



| | M4.15 M4.35 | M4.17 M4.45 | Instr. paneel model '34' | Instr. paneel model '34' |
|------|----------------|----------------|--|--|
| pos. | qty | part | benaming | description |
| 1 | 1 | STM6571 | Paneel incl. fr.folie | Panel incl. overlay |
| 2 | 1 | 08-01351 | Print MP34 cpl. 12 V | PCB MP34 cpl. 12 V |
| 3 | 4 | P2295RKP | Plaatschroef | Screw |
| 4 | 6 | STM9169 | Gloeilamp 12 V | Bulb 12 V |
| 5 | 1 | STM9170 | Pakking | Gasket |
| 6 | 3 | STM9171 | Pakking | Gasket |
| 7 | 1 | STM9172 | Pakking | Gasket |
| 8 | 1 | TACHB4000 | Toeren/urenteller, zwart, 0-4000 rpm | Tachometer/hour counter, black, 0-4000 rpm |
| 9 | 1 | VOLT... | Voltmeter, zwart, 12 V | Voltmeter, black, 12 V |
| 10 | 1 | TEMPB | Temperatuurmeter, zwart, 40-120°C 12 V | Temperature gauge, black, 40-120°C, 12 V |
| 11 | 1 | OIL... | Oliedrukmeter, zwart, 0-8 bar, 12 V | Oil pressure gauge, black, 0-8 bar, 12 V |
| 12 | 6 | PA6488 | Beugel | Bracket |
| 13 | 6 | P35134RKP | Plaatschroef | Screw |
| 14 | 1 | STM9188 | Contactslot deksel | Key switch cover |
| 15 | 1 | MP35374 | Paneelbedrading | Wiring |
| 16 | 1 | STM9181 | Pakking | Gasket |



| | M4.15 M4.35 | M4.17 M4.45 | Instr. paneel model '34' | Instr. paneel model '34' |
|------|----------------|----------------|---|---|
| pos. | qty | part | benaming | description |
| 17 | 4 | P35254ZKP | Plaatschroef | Screw |
| 18 | 2 | SET40131 | Gloeilamp 12 V | Bulb 12 V |
| 20 | 1 | CT40133 | Gloeilamp 12 V | Bulb 12 V |
| 21 | 1 | STM9215 | Contactslot + sleutel | Key switch + key |
| 22 | 1 | MP34KBS2 | Instr.paneel cpl. zwarte instr. 0-4000 rpm 12 V | Instr.panel cpl. black instr. 0-4000 rpm 12 V |
| 23 | 1 | STM6955 | Verlooptkabel (MPVB2) | Cable (MPVB2) |
| 24 | 1 | STM6911 | Interface | Interface |
| 25 | 1 | TEMPSR120 | Binnenwater temperatuur zender M14x1,5 12-24 V 40-120°C | Temp. sender coolant M14x1,5 12-24 V 40-120°C |
| 26 | 1 | STM1062 | Afdichtring | Seal |
| 27 | 1 | AD14-16 | Verloop | Adaptor |
| 28 | 1 | STM6269 | Afdichtring | Seal |
| 29 | 1 | OILSR08 | Oliedrukkzender | Sender oil pressure |
| 30 | 1 | 19-18406 | Verloop | Adaptor |
| 31 | 2 | STM2018 | Afdichtring | Seal |
| 32 | 1 | 19-18317 | Verloopblok | Adaptor block |

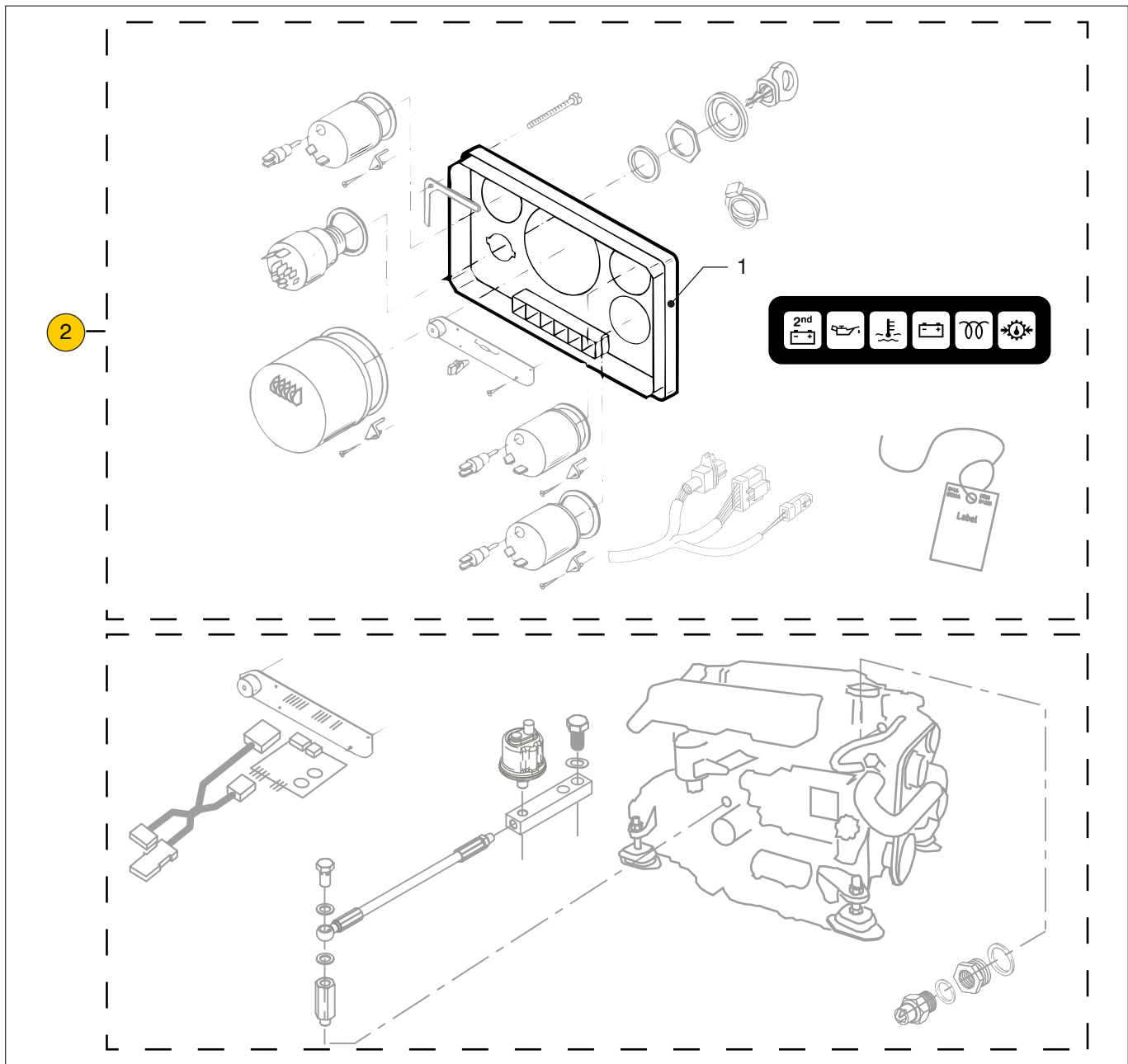


M4.15 **M4.17**
M4.35 **M4.45**

Instr. paneel model '34'

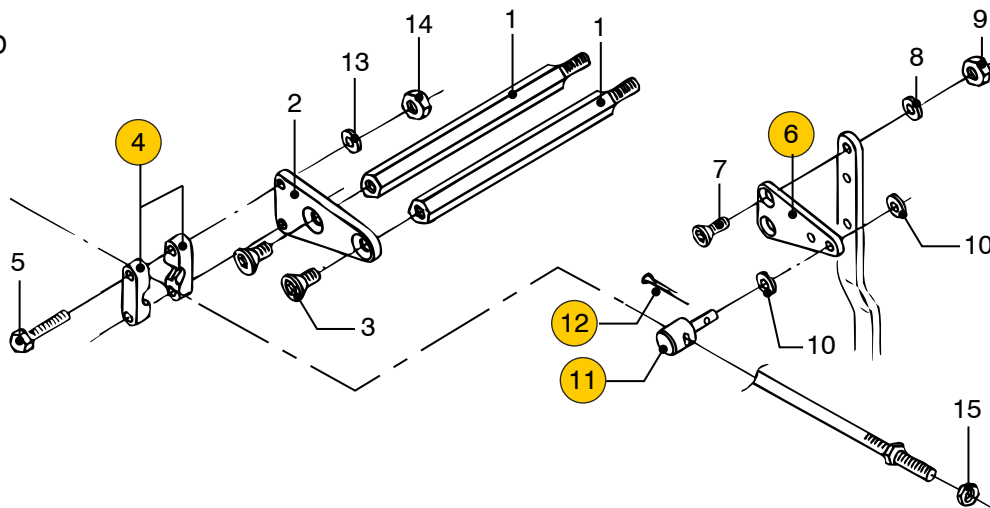
Instr. panel model '34'

| pos. | qty | part | benaming | description |
|------|-----|----------|-------------------------------|------------------------------|
| 33 | 1 | 19-18509 | Holbout | Hollow bolt |
| 34 | 1 | 19-18418 | Verloopset | Adaptor set |
| 35 | 1 | STM9731 | Label 'Afregele toerenteller' | Lable 'Adjusting tachometer' |
| 36 | 1 | STM9888 | Kap | Cover |
| 37 | 1 | STM6961 | Set uitgebreid paneel | Set extended panel |
| 38 | 1 | 19-18417 | Slang | Hose |
| 39 | 1 | STM3817 | Bout M12 x 1,25 L=25 | Bolt M12 x 1,25 L=25 |
| 40 | 1 | STM4056 | Gegolfde veering M12 | Wave spring washer M12 |
| 41 | 1 | FFMP23 | Front folie | Front foil |

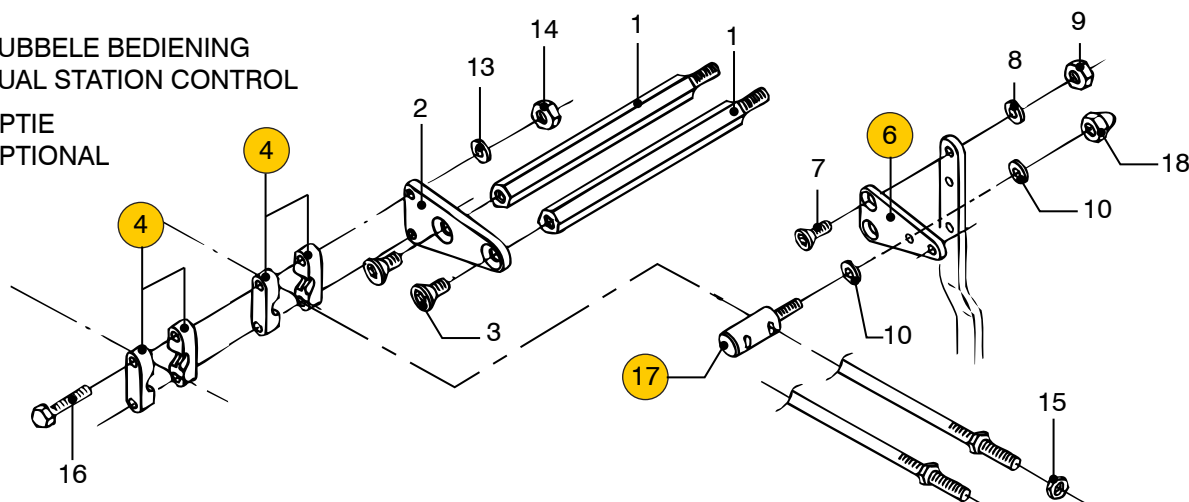


| pos. | qty | part | benaming | description |
|------|-----|-----------|---|--|
| 1 | 1 | STM6994 | Paneel incl. fr.folie met 2 x laadcont. symbool | Panel incl. overlay w. 2 x batt.charging symb. |
| 2 | 1 | MP34KBS2D | Instr.paneel cpl. zwarte instr. 0-4000 rpm 12 V | Instr.panel cpl. black instr. 0-4000 rpm 12 V |

STANDAARD
STANDARD



DUBBELE BEDIENING
DUAL STATION CONTROL
OPTIE
OPTIONAL



M4.15

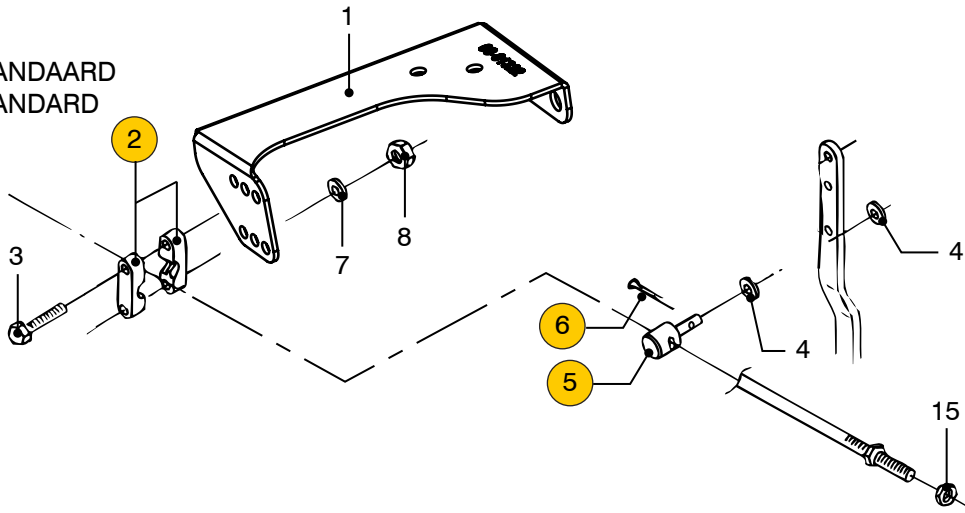
M4.17

Bediening, GAS

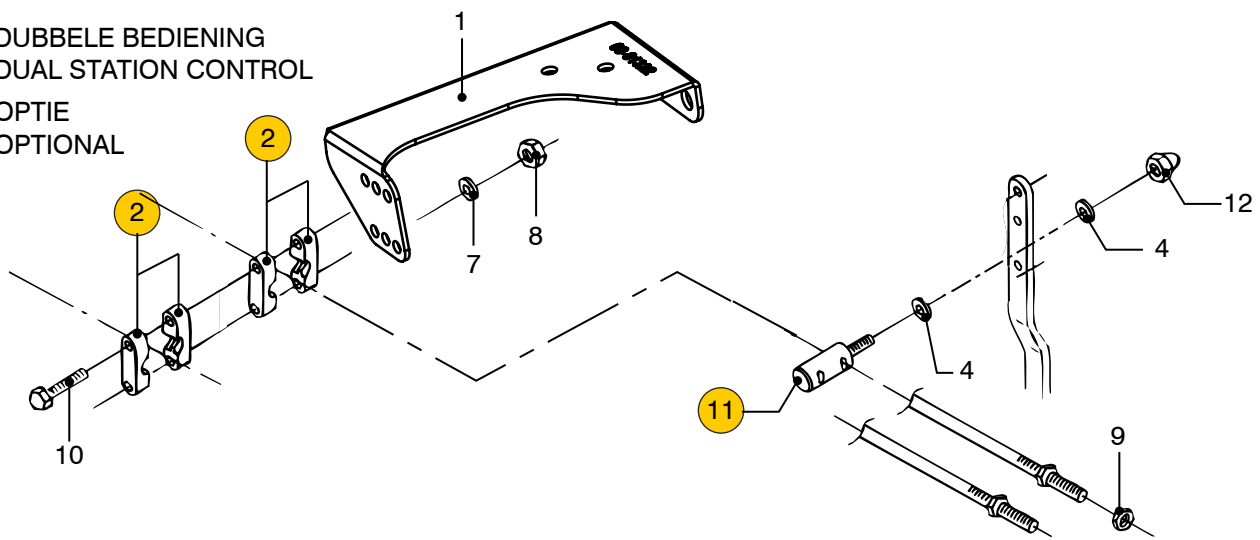
Controls, THROTTLE

| pos. | qty | part | benaming | description |
|------|-----|---------|------------------------------|----------------------------|
| 1 | 2 | STM8255 | Afstandshouder l=126 | Spacer l=126 |
| 2 | 1 | STM7576 | Bevestigingssteun | Support |
| 3 | 2 | STM7593 | Schroef M8x6 | Screw M8x6 |
| 4 | 1 | STM1703 | Kabelklem (standaard) | Cabel clamp (standard) |
| | 2 | STM1703 | Kabelklem (optie) | Cabel clamp (optional) |
| 5 | 2 | STM1704 | Bout M5x25 (standaard) | Bolt M5x25 (standard) |
| 6 | 1 | STM7577 | Hefboom | Lever |
| 7 | 2 | STM7594 | Schroef M6x16 | Screw M6x16 |
| 8 | 2 | STM1025 | Gegolfde veerring M6 | Wave spring washer M6 |
| 9 | 2 | STM8569 | Moer M6 | Nut M6 |
| 10 | 2 | STM1807 | Ring M6 | Washer M6 |
| 11 | 1 | STM1806 | Kabelnippel (standaard) | Cable nipple (standard) |
| 12 | 1 | STM1808 | Splitpen 2x25 (standaard) | Split pin 2x25 (standard) |
| 13 | 4 | STM1707 | Ring M5 | Washer M5 |
| 14 | 4 | STM1705 | Moer M5 | Nut M5 |
| 15 | 1 | STM6568 | Moer 10-32UNF (optie) | Nut 10-32UNF (optional) |
| 16 | 2 | STM1907 | Bout M5x40 (optie) | Bolt M5x40 (optional) |
| 17 | 1 | STM1902 | Gaskabel nippel (optie) | Throttle nipple (optional) |
| 18 | 1 | STM8129 | Zelfborgende moer M6 (optie) | Nyloc nut M6 (optional) |

STANDAARD
STANDARD



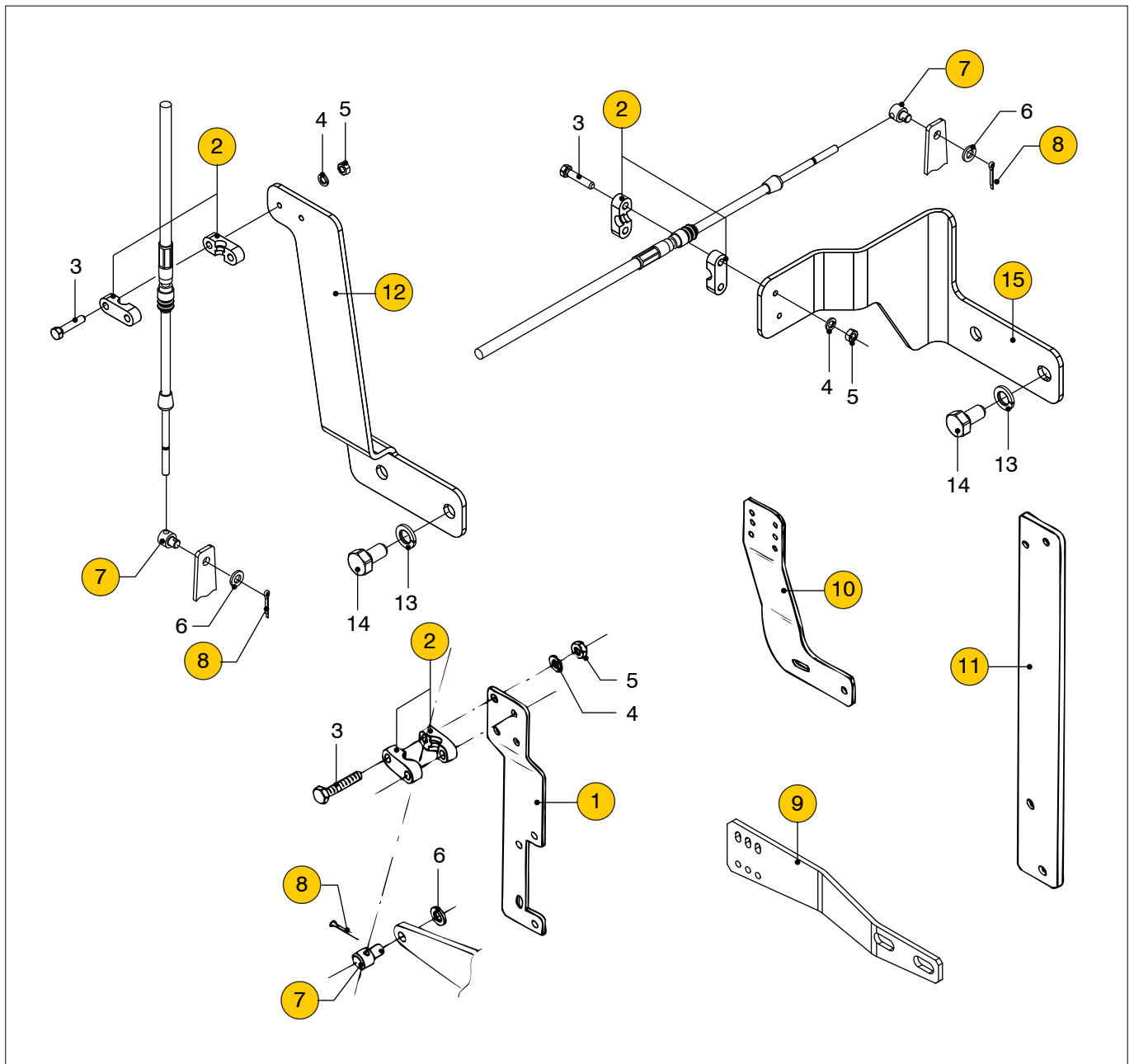
DUBBELE BEDIENING
DUAL STATION CONTROL
OPTIE
OPTIONAL



Bediening, GAS

Controls, THROTTLE

| pos. | qty | M4.35 part | M4.45 part | benaming | description |
|------|-----|---------------|---------------|------------------------------|----------------------------|
| 1 | 1 | 08-01322 | | Bevestigingssteun | Support |
| 2 | 1 | STM1703 | | Kabelklem (standaard) | Cabel clamp (standard) |
| | 2 | STM1703 | | Kabelklem (optie) | Cabel clamp (optional) |
| 3 | 2 | STM1704 | | Bout M5x25 (standaard) | Bolt M5x25 (standard) |
| 4 | 2 | STM1807 | | Ring M6 | Washer M6 |
| 5 | 1 | STM1806 | | Kabelnippel (standaard) | Cable nipple (standard) |
| 6 | 1 | STM1808 | | Splitpen 2x25 (standaard) | Split pin 2x25 (standard) |
| 7 | 4 | STM1707 | | Ring M5 | Washer M5 |
| 8 | 4 | STM1705 | | Moer M5 | Nut M5 |
| 9 | 1 | STM6568 | | Moer 10-32UNF (optie) | Nut 10-32UNF (optional) |
| 10 | 2 | STM1907 | | Bout M5x40 (optie) | Bolt M5x40 (optional) |
| 11 | 1 | STM1902 | | Gaskabel nippel (optie) | Throttle nipple (optional) |
| 12 | 1 | STM8129 | | Zelfborgende moer M6 (optie) | Nyloc nut M6 (optional) |

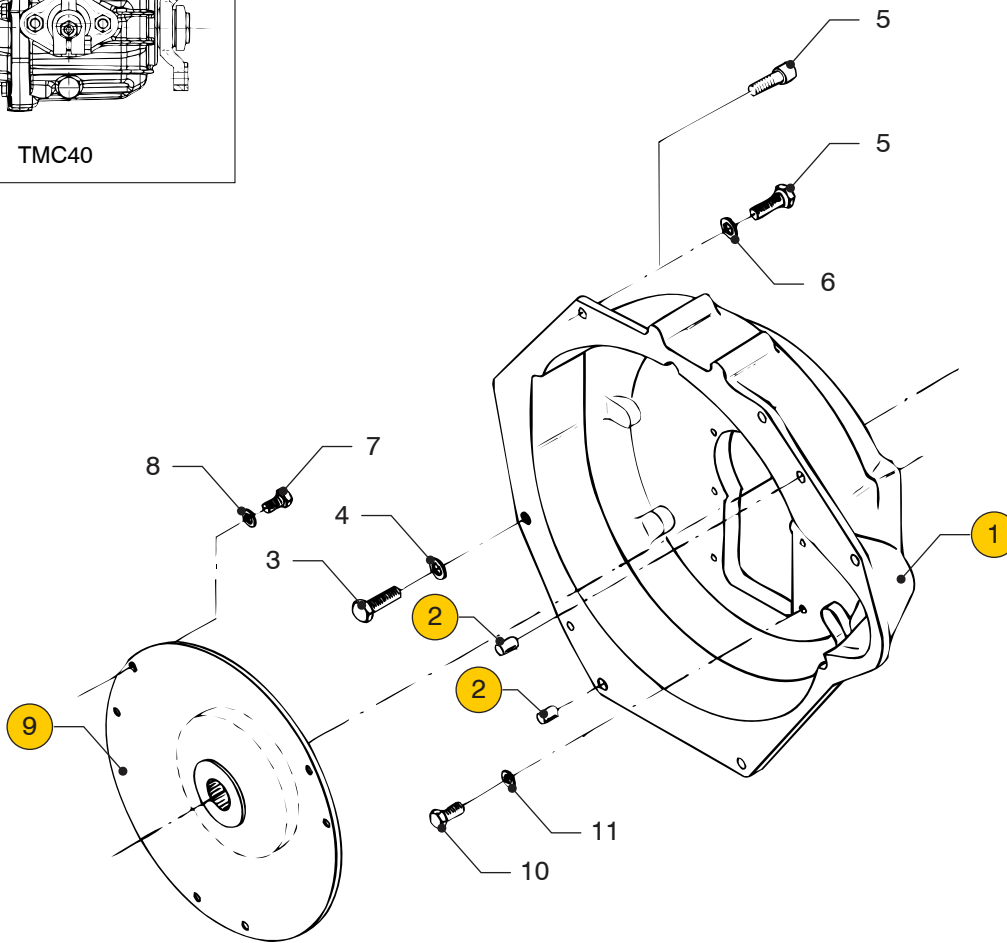
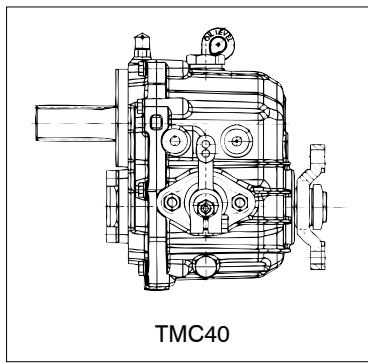


M4.15 **M4.17**
M4.35 **M4.45**

Bediening, KEERKOPPELING

Controls, GEARBOX

| pos. | qty | part | benaming | description |
|------|-----|---------|------------------------------------|----------------------------------|
| 1 | 1 | STM1851 | Steun ZF10M/12M/15M | Support ZF10M/12M/15M |
| 2 | 1 | STM1703 | Kabelklem | Cable clamp |
| 3 | 2 | STM1704 | Bout M5x25 | Bolt M5x25 |
| 4 | 4 | STM1707 | Ring M5 | Washer M5 |
| 5 | 4 | STM1705 | Moer M5 | Nut M5 |
| 6 | 2 | STM1807 | Ring M6 | Washer M6 |
| 7 | 1 | STM1806 | Kabelnippel | Cable nipple |
| 8 | 1 | STM1808 | Splitpen 2x25 | Split pin 2x25 |
| 9 | 1 | STM6238 | Steun TMC40/TM345 | Support TMC10/TM345 |
| 10 | 1 | STM6239 | Steun TMC60 | Support TMC60 |
| 11 | 1 | STM8805 | Steun ZF12 | Support ZF12 |
| 12 | 1 | STM9750 | Steun ZF25 vertikaal (optie) | Support ZF25 vertical (optional) |
| 13 | 2 | STM4014 | Veerring M10 | Spring washer M10 |
| 14 | 2 | STM9765 | Bout 3/8UNCx3/4 | Bolt 3/8UNCx3/4 |
| 15 | 1 | STM9742 | Steun ZF25 horizontaal (standaard) | Support horizontal (standard) |

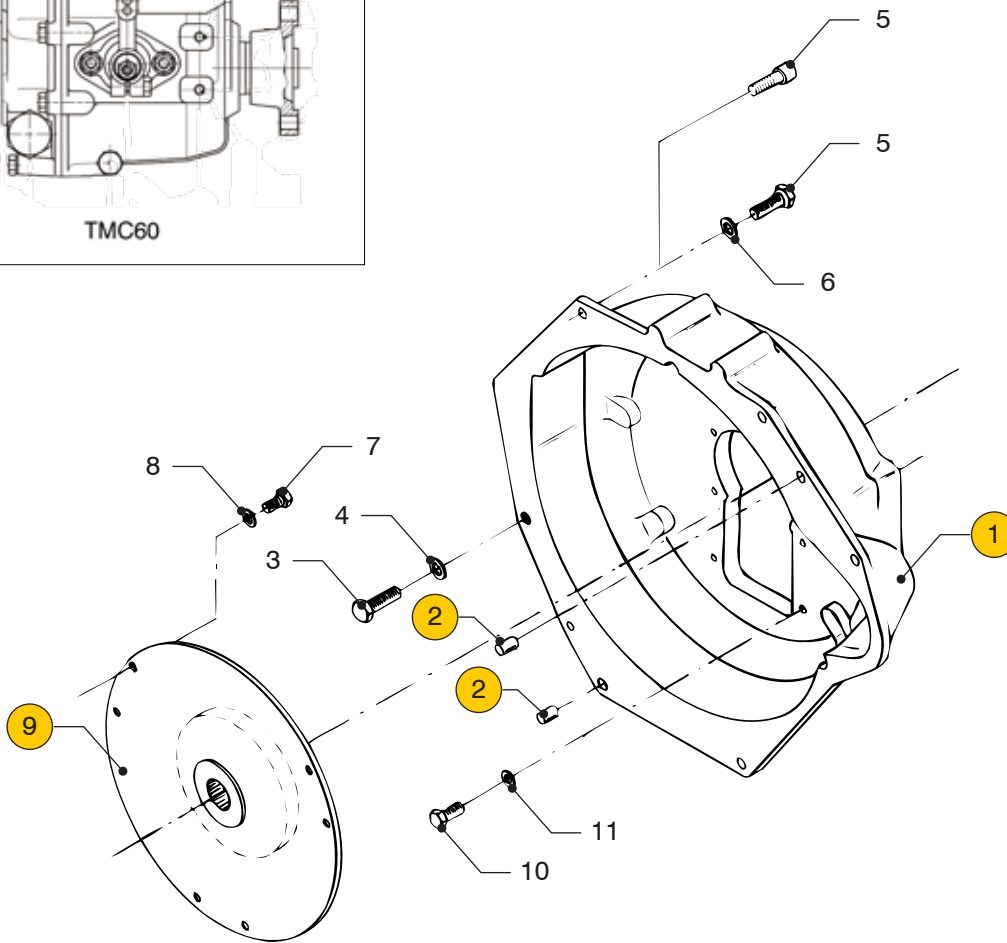
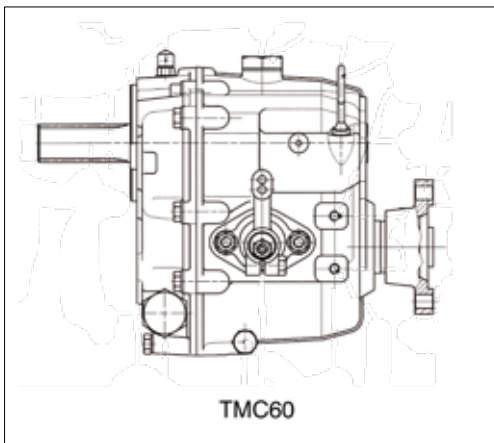


M4.15
M4.35

Vliegwielhuis TMC40

Flywheel housing TMC40

| pos. | qty | part | benaming | description |
|------|-----|---------|---|---|
| 1 | 1 | STM7566 | Vliegwielhuis Ø88 | Flywheel housing Ø88 |
| 2 | 2 | STM3813 | Paspen 10x12 ISO 2338 | Pin 10x12 ISO 2338 |
| 3 | 1 | STM7053 | Bout M12x1,25x30 | Bolt M12x1.25x30 |
| 4 | 1 | STM4003 | Veerring M12 | Spring washer M12 |
| 5 | 4 | STM7053 | Bout M12x1,25x30 (04-2016 <-) | Bolt M12x1.25x30 (04-2016 <-) |
| | 4 | 16-4138 | Inbusbout M12x1,25x30 (-> 04-2016) | Allen screw M12x1.25x30 (-> 04-2016) |
| 6 | 4 | STM4056 | Gegolfde veerring M12 (04-2016 <-) | Wave spring washer M12 (04-2016 <-) |
| | - | STM4056 | Gegolfde veerring M12 (-> 04-2016) | Wave spring washer M12 (-> 04-2016) |
| 7 | 6 | STM4055 | Bout M8x1,25x16 | Bolt M8x1.25x16 |
| 8 | 6 | STM1019 | Gegolfde veerring M8 | Wave spring washer M8 |
| 9 | 1 | STM4054 | Demperplaat DIN splines z=10, interkoel | Damperplate DIN splines z=10, intercooled |
| | 1 | STM4032 | Demperplaat DIN splines z=10, kielkoel | Damperplate DIN splines z=10, keelcooled |
| 10 | 6 | STM1610 | Bout M8x1,25x25 TMC40 | Bolt M8x1.25x25 TMC40 |
| | 6 | STM1610 | Bout M8x1,25x25 TMC40M | Bolt M8x1.25x25 TMC40M |
| | 6 | STM1610 | Bout M8x1,25x25 TMC40P | Bolt M8x1.25x25 TMC40P |
| 11 | 6 | STM1019 | Gegolfde veerring M8 | Spring washer M8 |

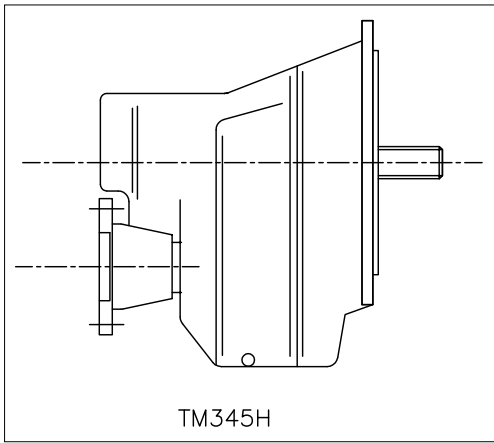


**M4.15
M4.35**

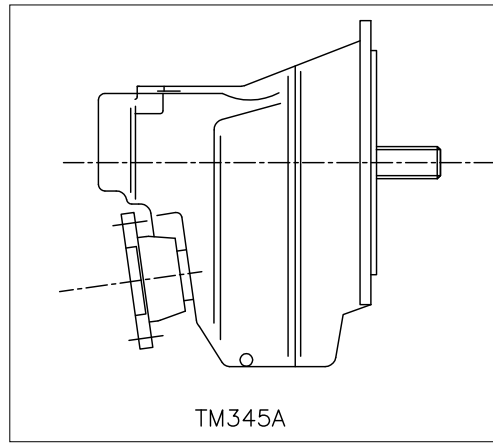
Vliegwielhuis TMC60

Flywheel housing TMC60

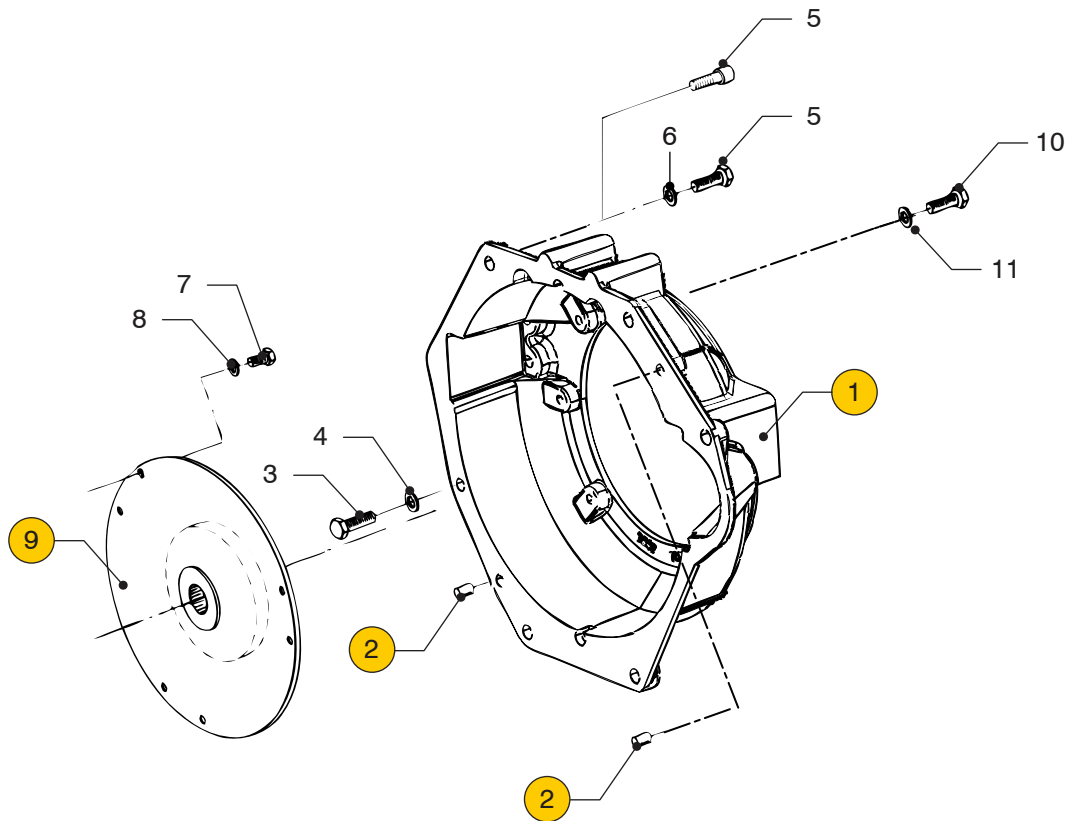
| pos. | qty | part | benaming | description |
|------|-----|---------|---|---|
| 1 | 1 | STM7566 | Vliegwielhuis Ø88 | Flywheel housing Ø88 |
| 2 | 2 | STM3813 | Paspen 10x12 ISO 2338 | Pin 10x12 ISO 2338 |
| 3 | 1 | STM7053 | Bout M12x1,25x30 | Bolt M12x1.25x30 |
| 4 | 1 | STM4003 | Veerring M12 | Spring washer M12 |
| 5 | 4 | STM7053 | Bout M12x1,25x30 (04-2016 <-) | Bolt M12x1.25x30 (04-2016 <-) |
| | 4 | 16-4138 | Inbusbout M12x1,25x30 (-> 04-2016) | Allen screw M12x1.25x30 (-> 04-2016) |
| 6 | 4 | STM4056 | Gegolfde veerring M12 (04-2016 <-) | Wave spring washer M12 (04-2016 <-) |
| | - | STM4056 | Gegolfde veerring M12 (-> 04-2016) | Wave spring washer M12 (-> 04-2016) |
| 7 | 6 | STM4055 | Bout M8x1,25x16 | Bolt M8x1.25x16 |
| 8 | 6 | STM1019 | Gegolfde veerring M8 | Wave spring washer M8 |
| 9 | 1 | STM4054 | Demperplaat DIN splines z=10, interkoel | Damperplate DIN splines z=10, intercooled |
| | 1 | STM4032 | Demperplaat DIN splines z=10, kielkoel | Damperplate DIN splines z=10, keelcooled |
| 10 | 6 | STM7059 | Bout M8x1,25x30 TMC60 | Bolt M8x1.25x30 TMC60 |
| | 6 | STM1610 | Bout M8x1,25x25 TMC60M | Bolt M8x1.25x25 TMC60M |
| | 6 | STM7059 | Bout M8x1,25x30 TMC60e | Bolt M8x1.25x30 TMC60E |
| 11 | 6 | STM1019 | Gegolfde veerring M8 | Spring washer M8 |



TM345H



TM345A

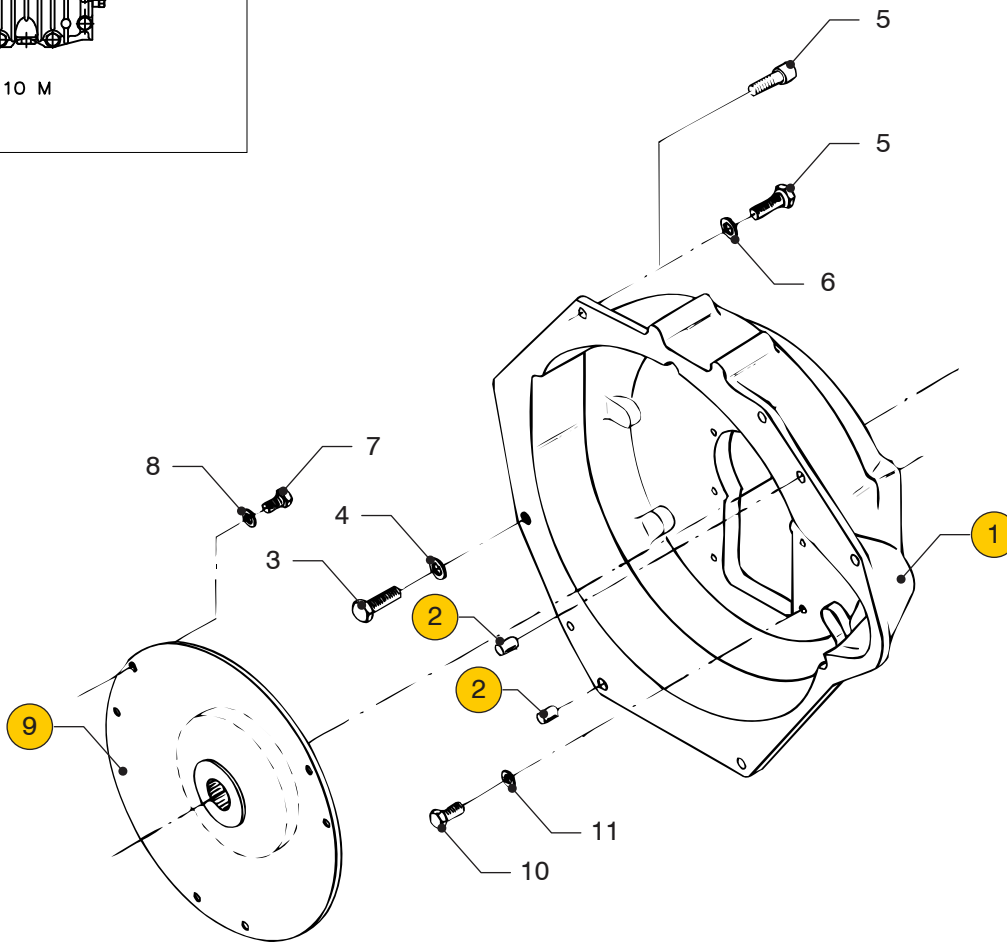
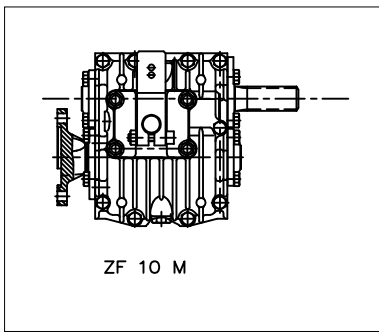


**M4.15
M4.35**

Vliegwielhuis TM345H (A)

Flywheel housing TM345H (A)

| pos. | qty | part | benaming | description |
|------|-----|---------|------------------------------------|--------------------------------------|
| ① | 1 | STM7567 | Vliegwielhuis SAE7 ø 209,55 | Flywheel housing SAE7 ø 209,55 |
| ② | 2 | STM3813 | Paspen 10x12 ISO 2338 | Pin 10x12 ISO 2338 |
| 3 | 1 | STM7053 | Bout M12x1,25x30 | Bolt M12x1.25x30 |
| 4 | 1 | STM4003 | Veerring M12 | Spring washer M12 |
| 5 | 4 | STM7053 | Bout M12x1,25x30 (04-2016 <-) | Bolt M12x1.25x30 (04-2016 <-) |
| | 4 | 16-4138 | Inbusbout M12x1,25x30 (-> 04-2016) | Allen screw M12x1.25x30 (-> 04-2016) |
| 6 | 4 | STM4056 | Gegolfde veerring M12 (04-2016 <-) | Wave spring washer M12 (04-2016 <-) |
| | - | STM4056 | Gegolfde veerring M12 (-> 04-2016) | Wave spring washer M12 (-> 04-2016) |
| 7 | 6 | STM4055 | Bout M8x1,25x16 | Bolt M8x1.25x16 |
| 8 | 6 | STM1056 | Veerring M8 | Spring washer M8 |
| ⑨ | 1 | STM7609 | Demperplaat sae splines z=26 | Damperplate sae splines z=26 |
| 10 | 6 | STM9003 | Bout M10x25 | Bolt M10x25 |
| 11 | 6 | STM4003 | Gegolfde veerring M10 | Wave spring washer M10 |

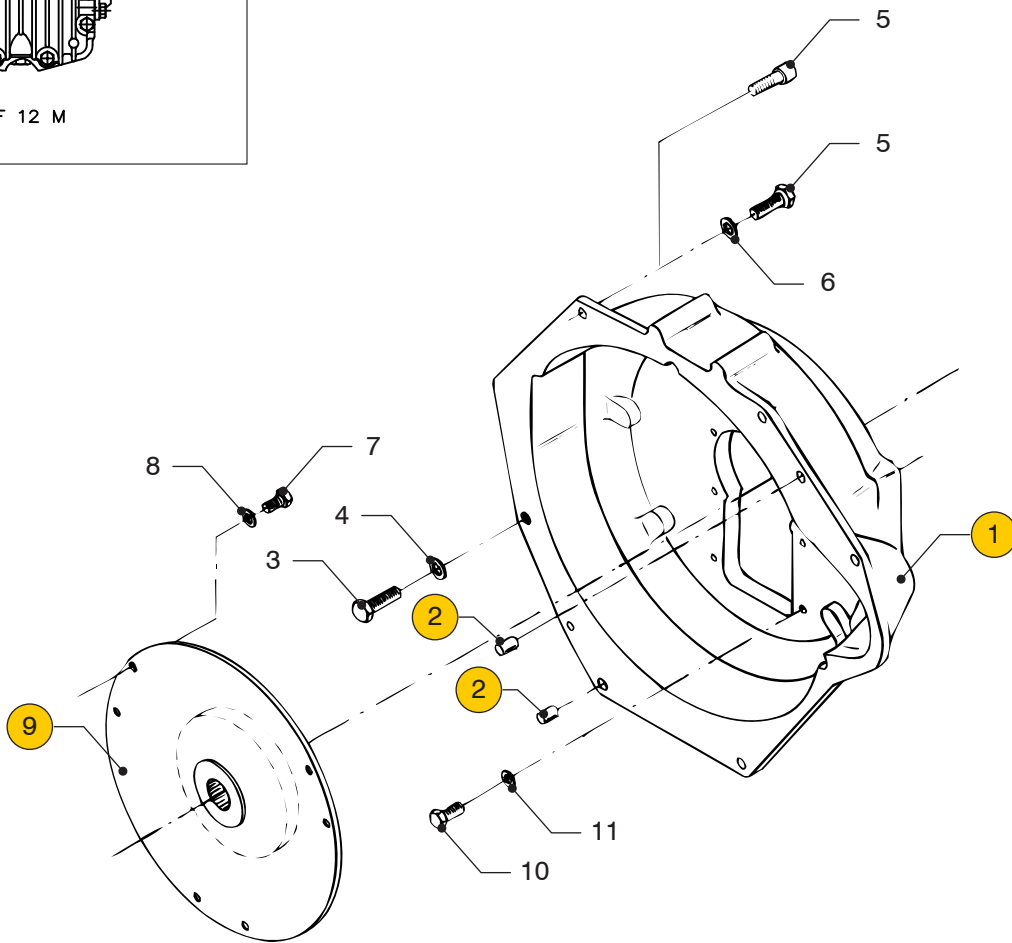
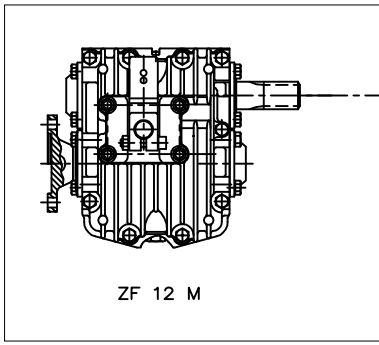


M4.15
M4.35

Vliegwielhuis ZF10M

Flywheel housing ZF10M

| pos. | qty | part | benaming | description |
|------|-----|---------|------------------------------------|--------------------------------------|
| 1 | 1 | STM7566 | Vliegwielhuis Ø88 | Flywheel housing Ø88 |
| 2 | 2 | STM3813 | Paspen 10x12 ISO 2338 | Pin 10x12 ISO 2338 |
| 3 | 1 | STM7053 | Bout M12x1,25x30 | Bolt M12x1.25x30 |
| 4 | 1 | STM4003 | Veerring M12 | Spring washer M12 |
| 5 | 4 | STM7053 | Bout M12x1,25x30 (04-2016 <-) | Bolt M12x1.25x30 (04-2016 <-) |
| | 4 | 16-4138 | Inbusbout M12x1,25x30 (-> 04-2016) | Allen screw M12x1.25x30 (-> 04-2016) |
| 6 | 4 | STM4056 | Gegolfde veerring M12 (04-2016 <-) | Wave spring washer M12 (04-2016 <-) |
| | - | STM4056 | Gegolfde veerring M12 (-> 04-2016) | Wave spring washer M12 (-> 04-2016) |
| 7 | 6 | STM4055 | Bout M8x1,25x16 | Bolt M8x1.25x16 |
| 8 | 6 | STM1056 | Veerring M8 | Spring washer M8 |
| 9 | 1 | STM4054 | Demperplaat DIN splines z=10 | Damperplate DIN splines z=10 |
| 10 | 6 | STM1610 | Bout M8x1,25x25 | Bolt M8x1.25x25 |
| 11 | 6 | STM1019 | Gegolfde veerring M8 | Spring washer M8 |

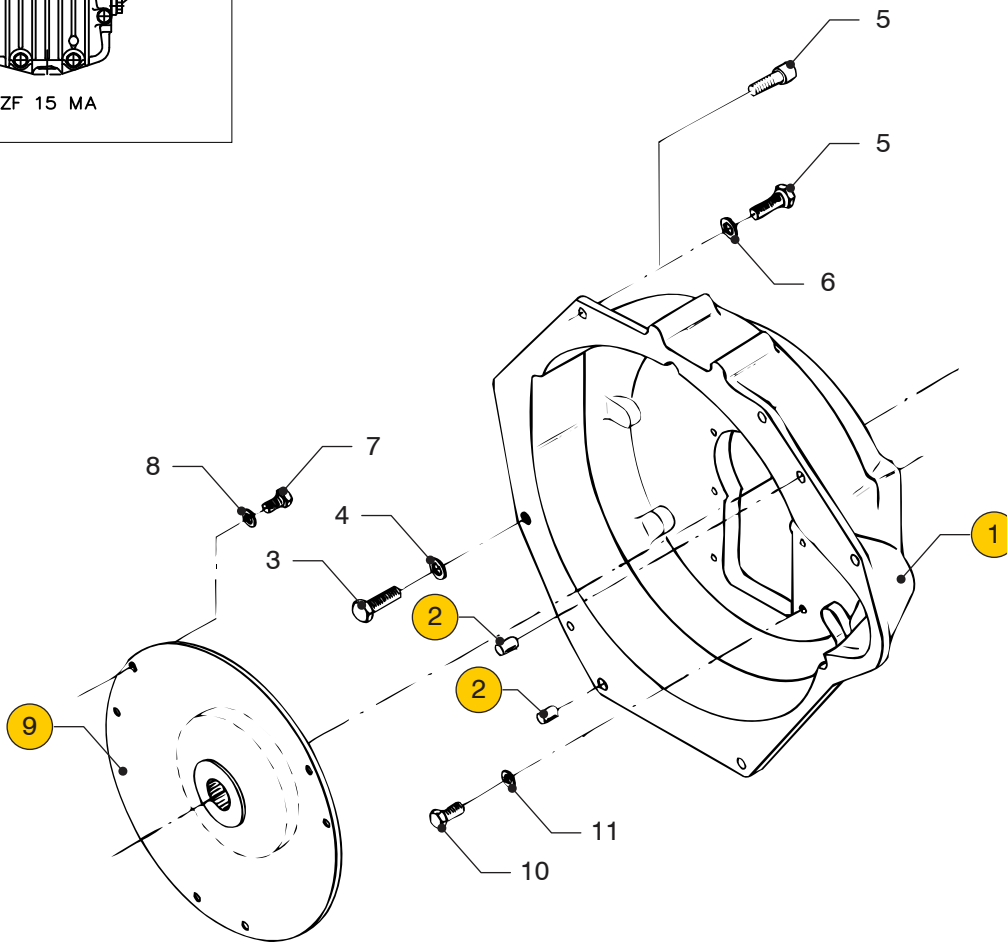
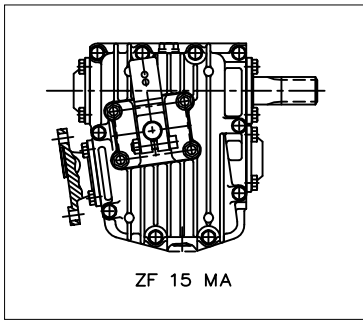


M4.15
M4.35

Vliegwielhuis ZF12M

Flywheel housing ZF12M

| pos. | qty | part | benaming | description |
|------|-----|---------|------------------------------------|--------------------------------------|
| 1 | 1 | STM7566 | Vliegwielhuis Ø88 | Flywheel housing Ø88 |
| 2 | 2 | STM3813 | Paspen 10x12 ISO 2338 | Pin 10x12 ISO 2338 |
| 3 | 1 | STM7053 | Bout M12x1,25x30 | Bolt M12x1.25x30 |
| 4 | 1 | STM4003 | Veerring M12 | Spring washer M12 |
| 5 | 4 | STM7053 | Bout M12x1,25x30 (04-2016 <-) | Bolt M12x1.25x30 (04-2016 <-) |
| | 4 | 16-4138 | Inbusbout M12x1,25x30 (-> 04-2016) | Allen screw M12x1.25x30 (-> 04-2016) |
| 6 | 4 | STM4056 | Gegolfde veerring M12 (04-2016 <-) | Wave spring washer M12 (04-2016 <-) |
| | - | STM4056 | Gegolfde veerring M12 (-> 04-2016) | Wave spring washer M12 (-> 04-2016) |
| 7 | 6 | STM4055 | Bout M8x1,25x16 | Bolt M8x1.25x16 |
| 8 | 6 | STM1056 | Veerring M8 | Spring washer M8 |
| 9 | 1 | STM4054 | Demperplaat DIN splines z=10 | Damperplate DIN splines z=10 |
| 10 | 6 | STM1610 | Bout M8x1,25x25 | Bolt M8x1.25x25 |
| 11 | 6 | STM1019 | Gegolfde veerring M8 | Spring washer M8 |

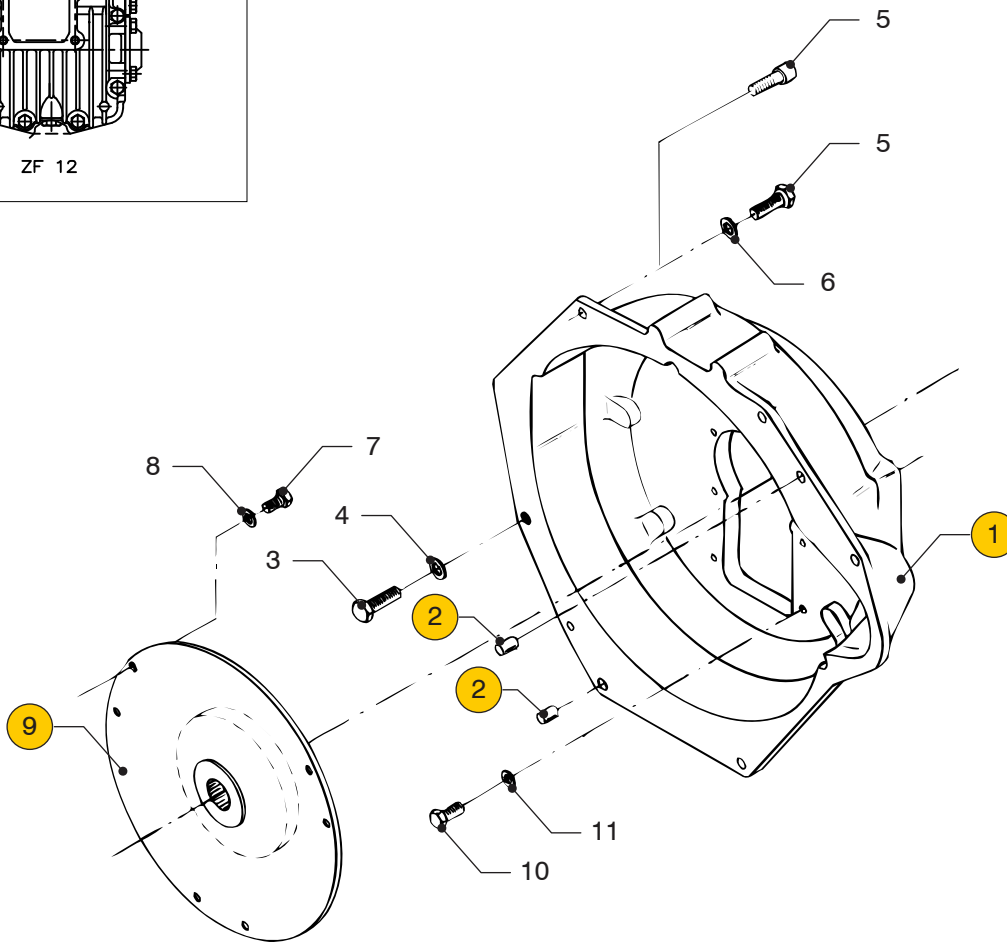
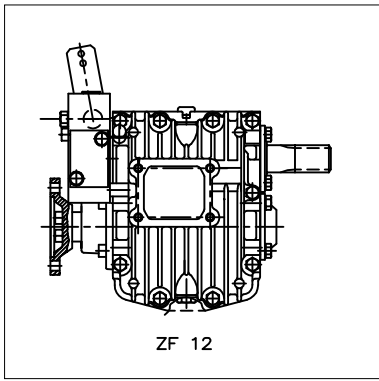


M4.15
M4.35

Vliegwielhuis ZF15MA

Flywheel housing ZF15MA

| pos. | qty | part | benaming | description |
|------|-----|---------|------------------------------------|--------------------------------------|
| 1 | 1 | STM7566 | Vliegwielhuis Ø88 | Flywheel housing Ø88 |
| 2 | 2 | STM3813 | Paspen 10x12 ISO 2338 | Pin 10x12 ISO 2338 |
| 3 | 1 | STM7053 | Bout M12x1,25x30 | Bolt M12x1.25x30 |
| 4 | 1 | STM4003 | Veerring M12 | Spring washer M12 |
| 5 | 4 | STM7053 | Bout M12x1,25x30 (04-2016 <-) | Bolt M12x1.25x30 (04-2016 <-) |
| | 4 | 16-4138 | Inbusbout M12x1,25x30 (-> 04-2016) | Allen screw M12x1.25x30 (-> 04-2016) |
| 6 | 4 | STM4056 | Gegolfde veerring M12 (04-2016 <-) | Wave spring washer M12 (04-2016 <-) |
| | - | STM4056 | Gegolfde veerring M12 (-> 04-2016) | Wave spring washer M12 (-> 04-2016) |
| 7 | 6 | STM4055 | Bout M8x1,25x16 | Bolt M8x1.25x16 |
| 8 | 6 | STM1056 | Veerring M8 | Spring washer M8 |
| 9 | 1 | STM4054 | Demperplaat DIN splines z=10 | Damperplate DIN splines z=10 |
| 10 | 6 | STM1610 | Bout M8x1,25x25 | Bolt M8x1.25x25 |
| 11 | 6 | STM1019 | Gegolfde veerring M8 | Spring washer M8 |

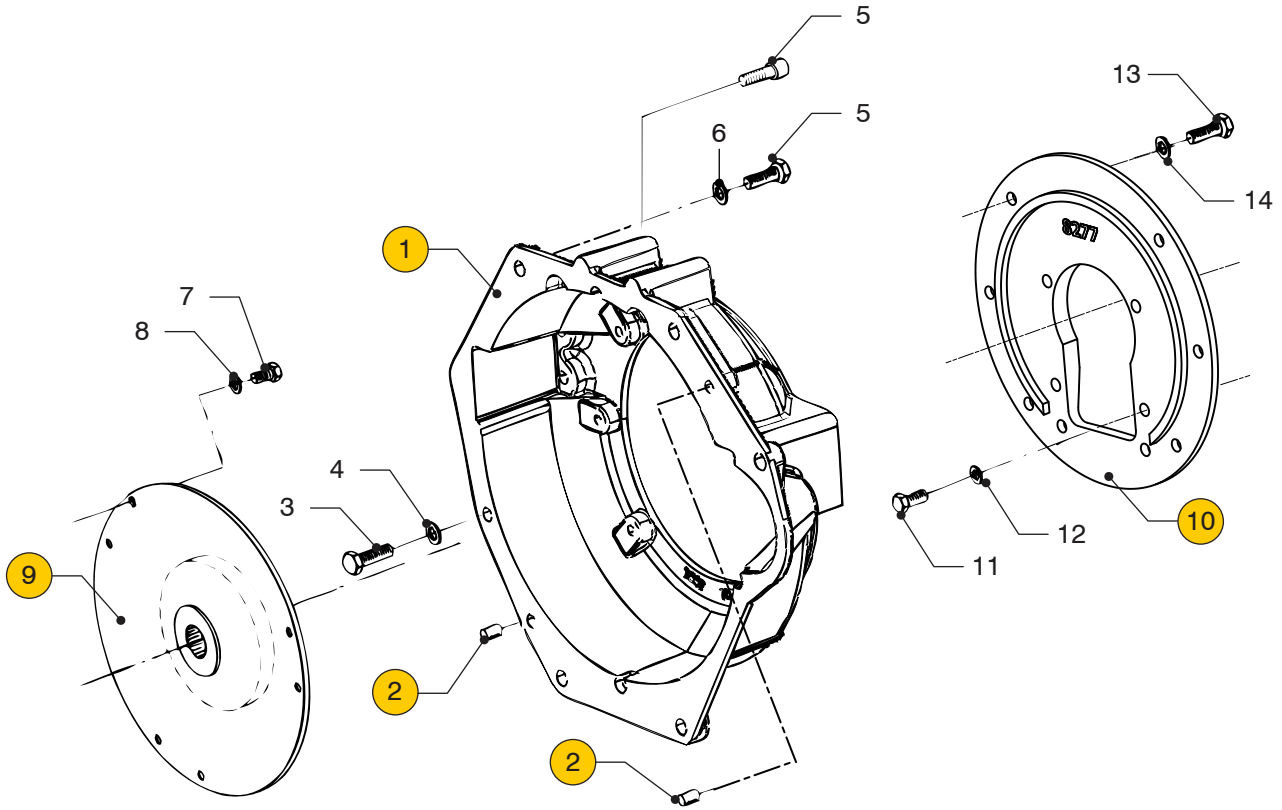
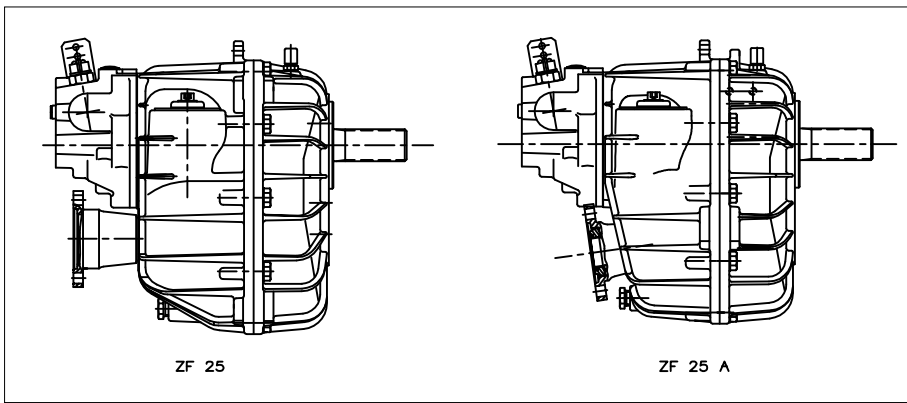


M4.15
M4.35

Vliegwielhuis ZF12

Flywheel housing ZF12

| pos. | qty | part | benaming | description |
|------|-----|---------|------------------------------------|--------------------------------------|
| 1 | 1 | STM7566 | Vliegwielhuis Ø88 | Flywheel housing Ø88 |
| 2 | 2 | STM3813 | Paspen 10x12 ISO 2338 | Pin 10x12 ISO 2338 |
| 3 | 1 | STM7053 | Bout M12x1,25x30 | Bolt M12x1.25x30 |
| 4 | 1 | STM4003 | Veerring M12 | Spring washer M12 |
| 5 | 4 | STM7053 | Bout M12x1,25x30 (04-2016 <-) | Bolt M12x1.25x30 (04-2016 <-) |
| | 4 | 16-4138 | Inbusbout M12x1,25x30 (-> 04-2016) | Allen screw M12x1.25x30 (-> 04-2016) |
| 6 | 4 | STM4056 | Gegolfde veerring M12 (04-2016 <-) | Wave spring washer M12 (04-2016 <-) |
| | - | STM4056 | Gegolfde veerring M12 (-> 04-2016) | Wave spring washer M12 (-> 04-2016) |
| 7 | 6 | STM4055 | Bout M8x1,25x16 | Bolt M8x1.25x16 |
| 8 | 6 | STM1056 | Veerring M8 | Spring washer M8 |
| 9 | 1 | STM4031 | Demperplaat DIN splines z=10 | Damperplate DIN splines z=10 |
| 10 | 6 | STM1610 | Bout M8x1,25x25 | Bolt M8x1.25x25 |
| 11 | 6 | STM1019 | Gegolfde veerring M8 | Spring washer M8 |

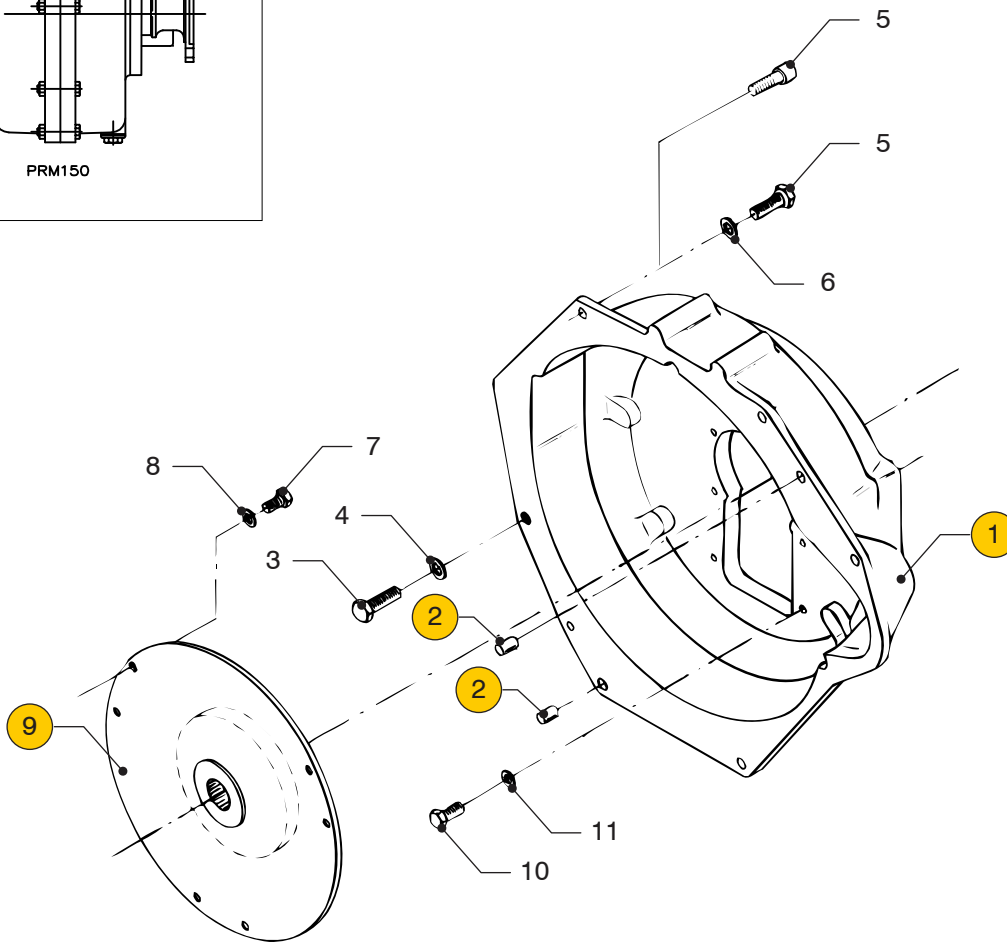
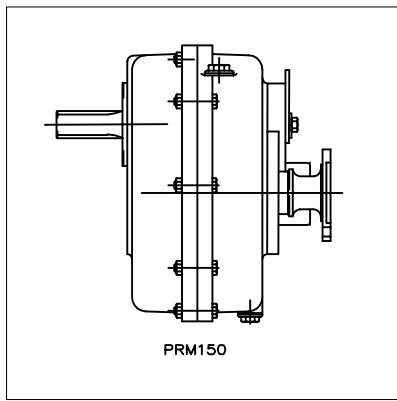


M4.15
M4.35

Vliegwielhuis ZF25 (A)

Flywheel housing ZF25 (A)

| pos. | qty | part | benaming | description |
|------|-----|---------|------------------------------------|--------------------------------------|
| 1 | 1 | STM7567 | Vliegwielhuis SAE7 Ø209,55 | Flywheel housing SAE 209,55 |
| 2 | 2 | STM3813 | Paspen 10x12 ISO 2338 | Pin 10x12 ISO 2338 |
| 3 | 1 | STM7053 | Bout M12x1,25x30 | Bolt M12x1.25x30 |
| 4 | 1 | STM4003 | Veerring M12 | Spring washer M12 |
| 5 | 4 | STM7053 | Bout M12x1,25x30 (04-2016 <-) | Bolt M12x1.25x30 (04-2016 <-) |
| | 4 | 16-4138 | Inbusbout M12x1,25x30 (-> 04-2016) | Allen screw M12x1.25x30 (-> 04-2016) |
| 6 | 4 | STM4056 | Gegolfde veerring M12 (04-2016 <-) | Wave spring washer M12 (04-2016 <-) |
| | - | STM4056 | Gegolfde veerring M12 (-> 04-2016) | Wave spring washer M12 (-> 04-2016) |
| 7 | 6 | STM4055 | Bout M8x1,25x16 | Bolt M8x1.25x16 |
| 8 | 6 | STM1056 | Veerring M8 | Spring washer M8 |
| 9 | 1 | STM7609 | Demperplaat sae splines z=26 | Damperplate sae splines z=26 |
| 10 | 1 | STM8277 | Adapterplaat SAE7 -> Ø92 | Adapter plate SAE7 -> Ø92 |
| 11 | 6 | STM9003 | Bout M10x1,5x25 | Bolt M10x1.5x25 |
| 12 | 6 | STM4003 | Gegolfde veerring M10 | Wave spring washer M10 |
| 13 | 6 | STM9003 | Bout M10x25 | Bolt M10x25 |
| 14 | 6 | STM4003 | Gegolfde veerring M10 | Wave spring washer M10 |

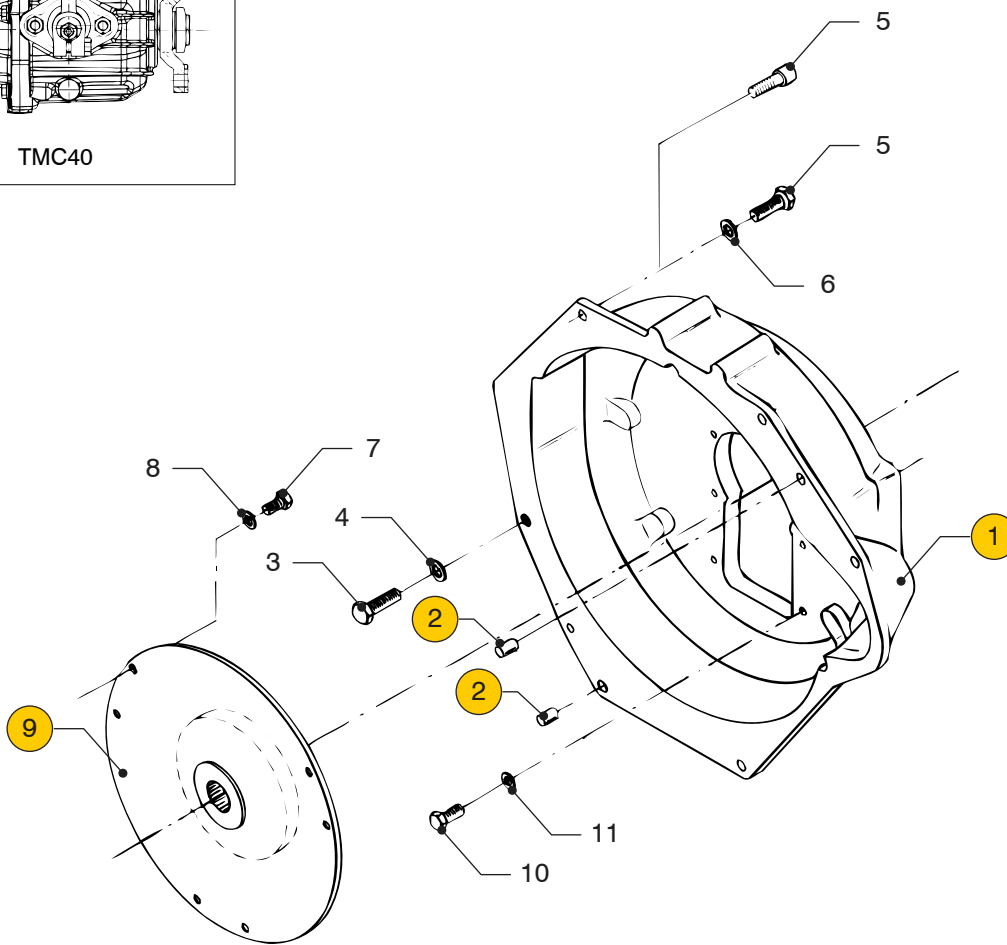
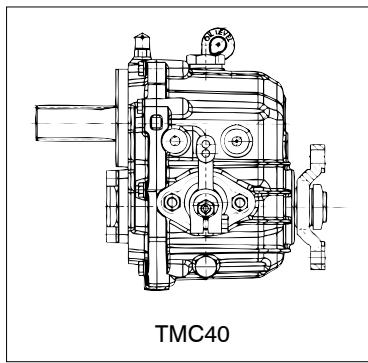


M4.15
M4.35

Vliegwielhuis PRM150

Flywheel housing PRM150

| pos. | qty | part | benaming | description |
|------|-----|---------|------------------------------------|--------------------------------------|
| 1 | 1 | STM7566 | Vliegwielhuis Ø88 | Flywheel housing Ø88 |
| 2 | 2 | STM3813 | Paspen 10x12 ISO 2338 | Pin 10x12 ISO 2338 |
| 3 | 1 | STM7053 | Bout M12x1,25x30 | Bolt M12x1.25x30 |
| 4 | 1 | STM4003 | Veerring M12 | Spring washer M12 |
| 5 | 4 | STM7053 | Bout M12x1,25x30 (04-2016 <-) | Bolt M12x1.25x30 (04-2016 <-) |
| | 4 | 16-4138 | Inbusbout M12x1,25x30 (-> 04-2016) | Allen screw M12x1.25x30 (-> 04-2016) |
| 6 | 4 | STM4056 | Gegolfde veerring M12 (04-2016 <-) | Wave spring washer M12 (04-2016 <-) |
| | - | STM4056 | Gegolfde veerring M12 (-> 04-2016) | Wave spring washer M12 (-> 04-2016) |
| 7 | 6 | STM4055 | Bout M8x1,25x16 | Bolt M8x1.25x16 |
| 8 | 6 | STM1056 | Veerring M8 | Washer M8 |
| 9 | 1 | STM4031 | Demperplaat DIN splines z=10 | Damperplate DIN splines z=10 |
| 10 | 6 | STM1610 | Bout M8x1,25x25 | Bolt M8x1.25x25 |
| 11 | 6 | STM1019 | Gegolfde veerring M8 | Spring washer M8 |

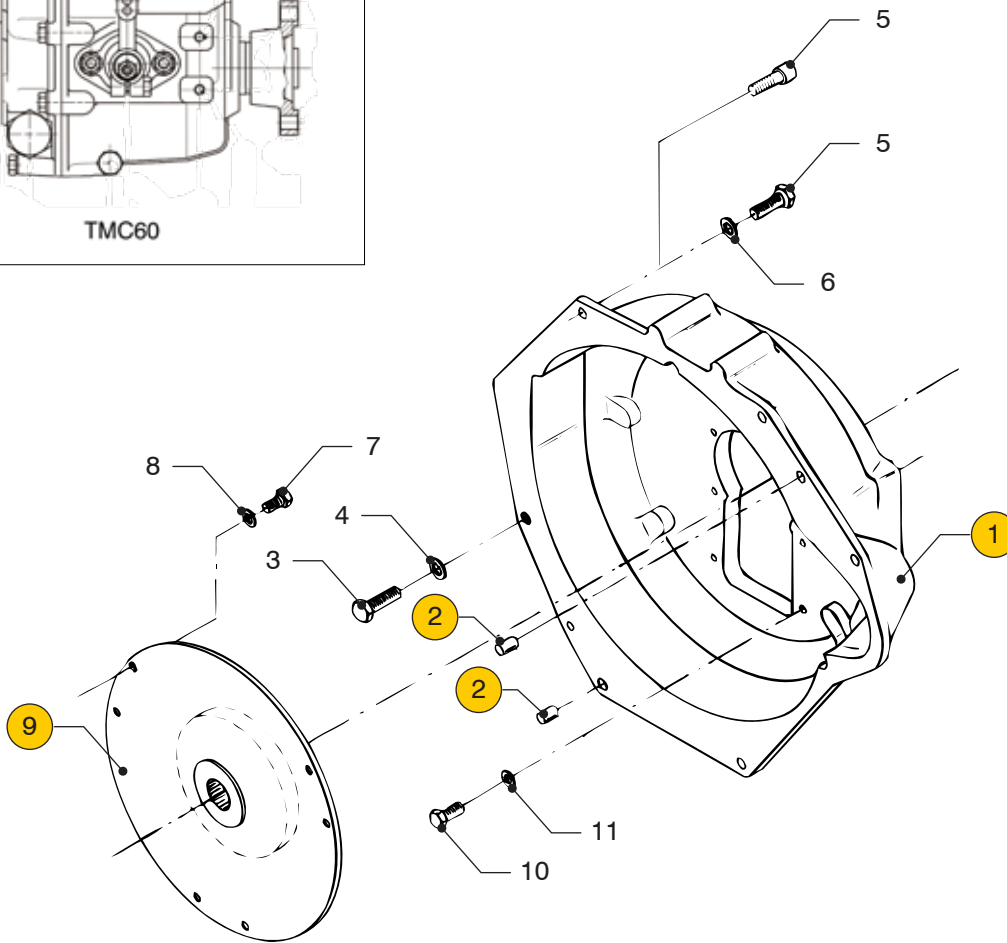
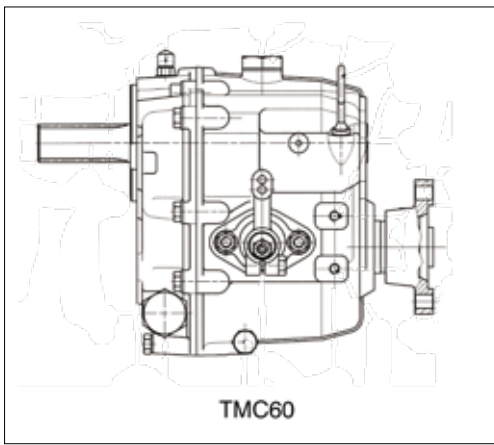


M4.17
M4.45

Vliegwielhuis TMC40

Flywheel housing TMC40

| pos. | qty | part | benaming | description |
|------|-----|---------|---|---|
| 1 | 1 | STM7566 | Vliegwielhuis Ø88 | Flywheel housing Ø88 |
| 2 | 2 | STM3813 | Paspen 10x12 ISO 2338 | Pin 10x12 ISO 2338 |
| 3 | 1 | STM7053 | Bout M12x1,25x30 | Bolt M12x1.25x30 |
| 4 | 1 | STM4003 | Veerring M12 | Spring washer M12 |
| 5 | 4 | STM7053 | Bout M12x1,25x30 (04-2016 <-) | Bolt M12x1.25x30 (04-2016 <-) |
| | 4 | 16-4138 | Inbusbout M12x1,25x30 (-> 04-2016) | Allen screw M12x1.25x30 (-> 04-2016) |
| 6 | 4 | STM4056 | Gegolfde veerring M12 (04-2016 <-) | Wave spring washer M12 (04-2016 <-) |
| | - | STM4056 | Gegolfde veerring M12 (-> 04-2016) | Wave spring washer M12 (-> 04-2016) |
| 7 | 6 | STM4055 | Bout M8x1,25x16 | Bolt M8x1.25x16 |
| 8 | 6 | STM1019 | Gegolfde veerring M8 | Wave spring washer M8 |
| 9 | 1 | STM4054 | Demperplaat DIN splines z=10, interkoel | Damperplate DIN splines z=10, intercooled |
| | 1 | STM4032 | Demperplaat DIN splines z=10, kielkoel | Damperplate DIN splines z=10, keelcooled |
| 10 | 6 | STM1610 | Bout M8x1,25x25 TMC40 | Bolt M8x1.25x25 TMC40 |
| | 6 | STM1610 | Bout M8x1,25x25 TMC40M | Bolt M8x1.25x25 TMC40M |
| | 6 | STM1610 | Bout M8x1,25x25 TMC40P | Bolt M8x1.25x25 TMC40P |
| 11 | 6 | STM1019 | Gegolfde veerring M8 | Spring washer M8 |

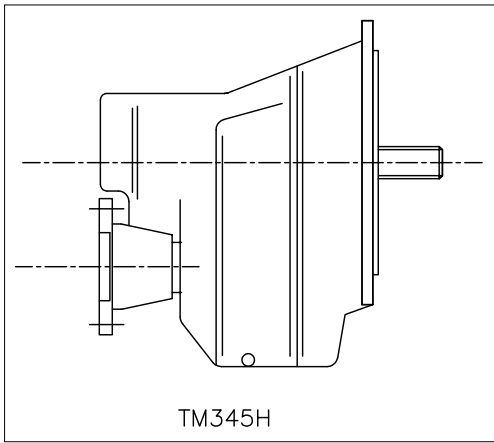


M4.17
M4.45

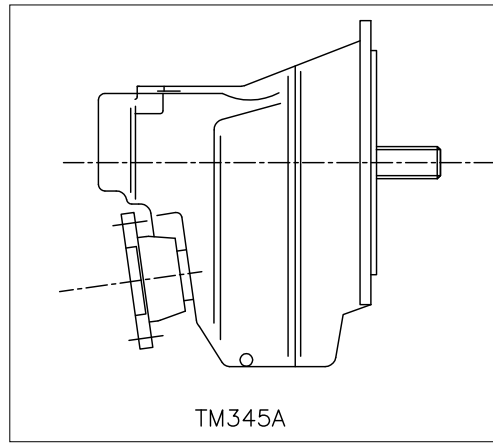
Vliegwielhuis TMC60

Flywheel housing TMC60

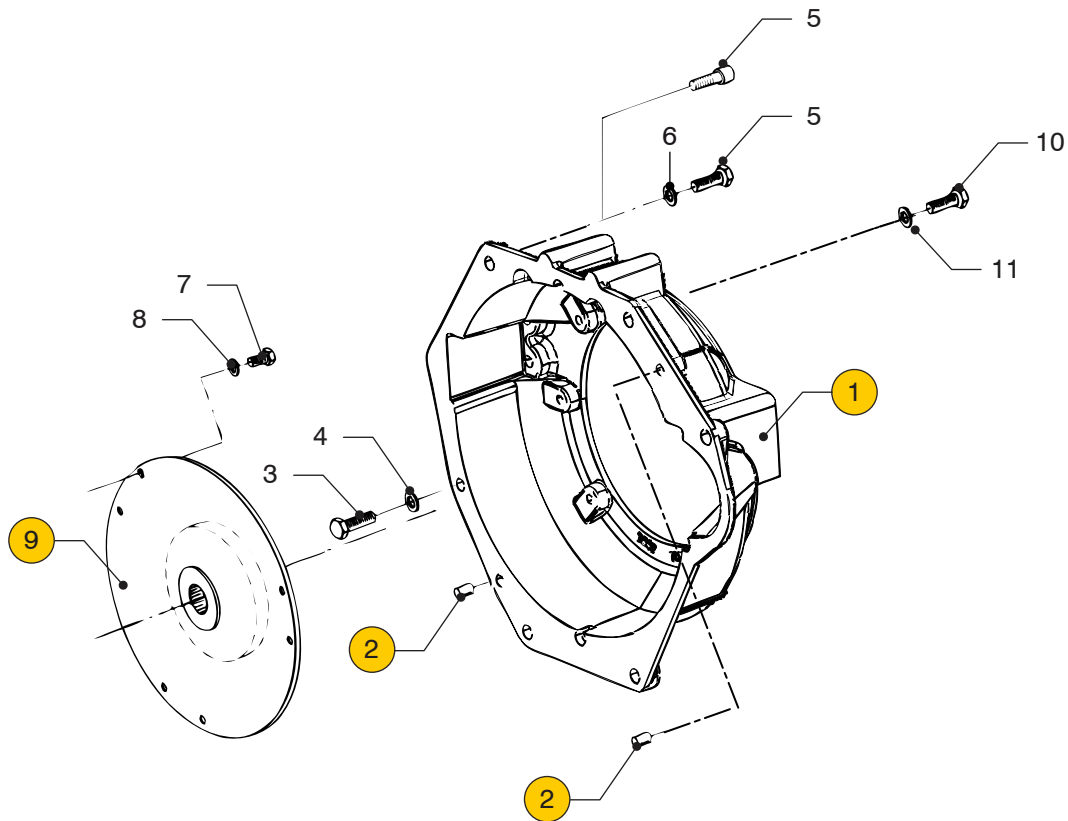
| pos. | qty | part | benaming | description |
|------|-----|---------|---|---|
| 1 | 1 | STM7566 | Vliegwielhuis Ø88 | Flywheel housing Ø88 |
| 2 | 2 | STM3813 | Paspen 10x12 ISO 2338 | Pin 10x12 ISO 2338 |
| 3 | 1 | STM7053 | Bout M12x1,25x30 | Bolt M12x1.25x30 |
| 4 | 1 | STM4003 | Veerring M12 | Spring washer M12 |
| 5 | 4 | STM7053 | Bout M12x1,25x30 (04-2016 <-) | Bolt M12x1.25x30 (04-2016 <-) |
| | 4 | 16-4138 | Inbusbout M12x1,25x30 (-> 04-2016) | Allen screw M12x1.25x30 (-> 04-2016) |
| 6 | 4 | STM4056 | Gegolfde veerring M12 (04-2016 <-) | Wave spring washer M12 (04-2016 <-) |
| | - | STM4056 | Gegolfde veerring M12 (-> 04-2016) | Wave spring washer M12 (-> 04-2016) |
| 7 | 6 | STM4055 | Bout M8x1,25x16 | Bolt M8x1.25x16 |
| 8 | 6 | STM1019 | Gegolfde veerring M8 | Wave spring washer M8 |
| 9 | 1 | STM4054 | Demperplaat DIN splines z=10, interkoel | Damperplate DIN splines z=10, intercooled |
| | 1 | STM4032 | Demperplaat DIN splines z=10, kielkoel | Damperplate DIN splines z=10, keelcooled |
| 10 | 6 | STM7059 | Bout M8x1,25x30 TMC60 | Bolt M8x1.25x30 TMC60 |
| | 6 | STM1610 | Bout M8x1,25x25 TMC60M | Bolt M8x1.25x25 TMC60M |
| | 6 | STM7059 | Bout M8x1,25x30 TMC60e | Bolt M8x1.25x30 TMC60E |
| 11 | 6 | STM1019 | Gegolfde veerring M8 | Spring washer M8 |



TM345H



TM345A

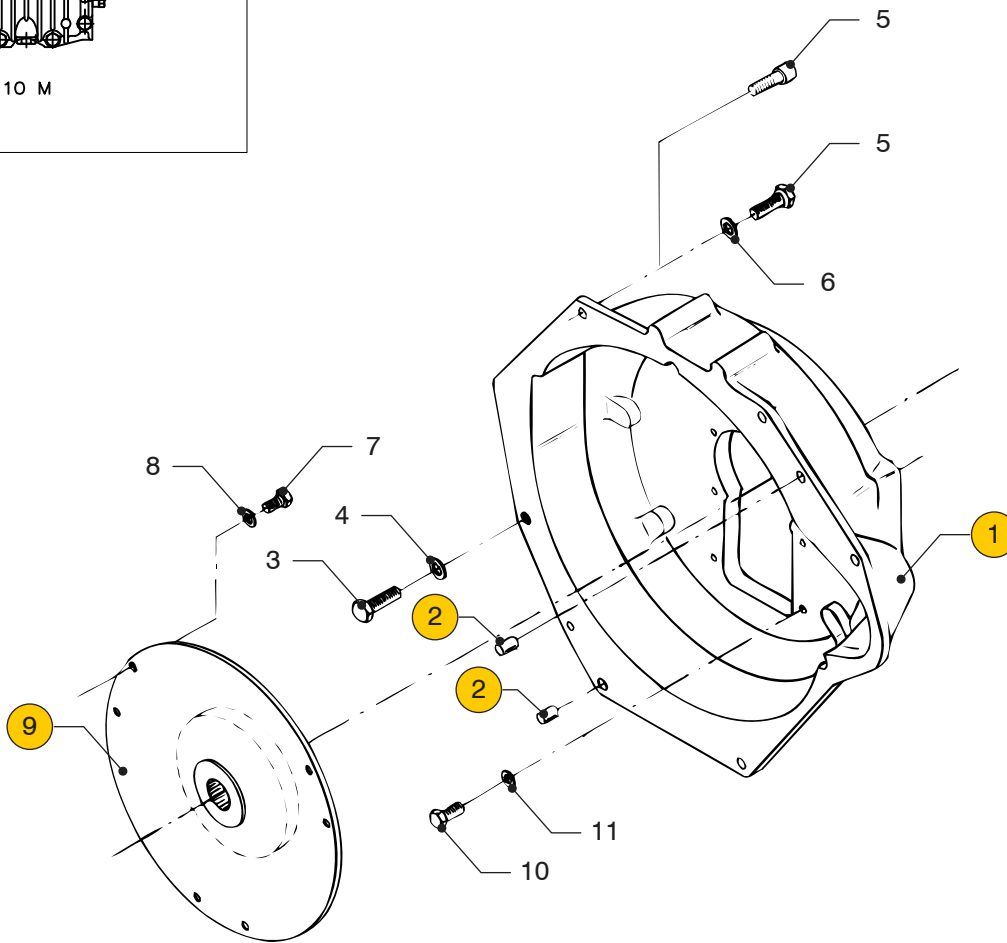
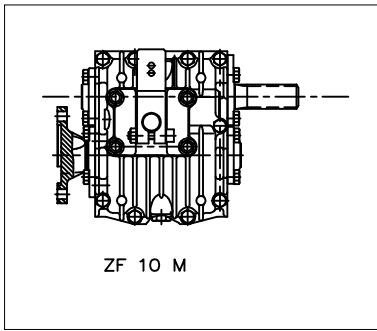


M4.17
M4.45

Vliegwielhuis TM345H (A)

Flywheel housing TM345H (A)

| pos. | qty | part | benaming | description |
|------|-----|---------|------------------------------------|--------------------------------------|
| ① | 1 | STM7567 | Vliegwielhuis SAE7 ø 209,55 | Flywheel housing SAE7 ø 209,55 |
| ② | 2 | STM3813 | Paspen 10x12 ISO 2338 | Pin 10x12 ISO 2338 |
| 3 | 1 | STM7053 | Bout M12x1,25x30 | Bolt M12x1.25x30 |
| 4 | 1 | STM4003 | Veerring M12 | Spring washer M12 |
| 5 | 4 | STM7053 | Bout M12x1,25x30 (04-2016 <-) | Bolt M12x1.25x30 (04-2016 <-) |
| | 4 | 16-4138 | Inbusbout M12x1,25x30 (-> 04-2016) | Allen screw M12x1.25x30 (-> 04-2016) |
| 6 | 4 | STM4056 | Gegolfde veerring M12 (04-2016 <-) | Wave spring washer M12 (04-2016 <-) |
| | - | STM4056 | Gegolfde veerring M12 (-> 04-2016) | Wave spring washer M12 (-> 04-2016) |
| 7 | 6 | STM4055 | Bout M8x1,25x16 | Bolt M8x1.25x16 |
| 8 | 6 | STM1056 | Veerring M8 | Spring washer M8 |
| ⑨ | 1 | STM7609 | Demperplaat sae splines z=26 | Damperplate sae splines z=26 |
| 10 | 6 | STM9003 | Bout M10x25 | Bolt M10x25 |
| 11 | 6 | STM4003 | Gegolfde veerring M10 | Wave spring washer M10 |

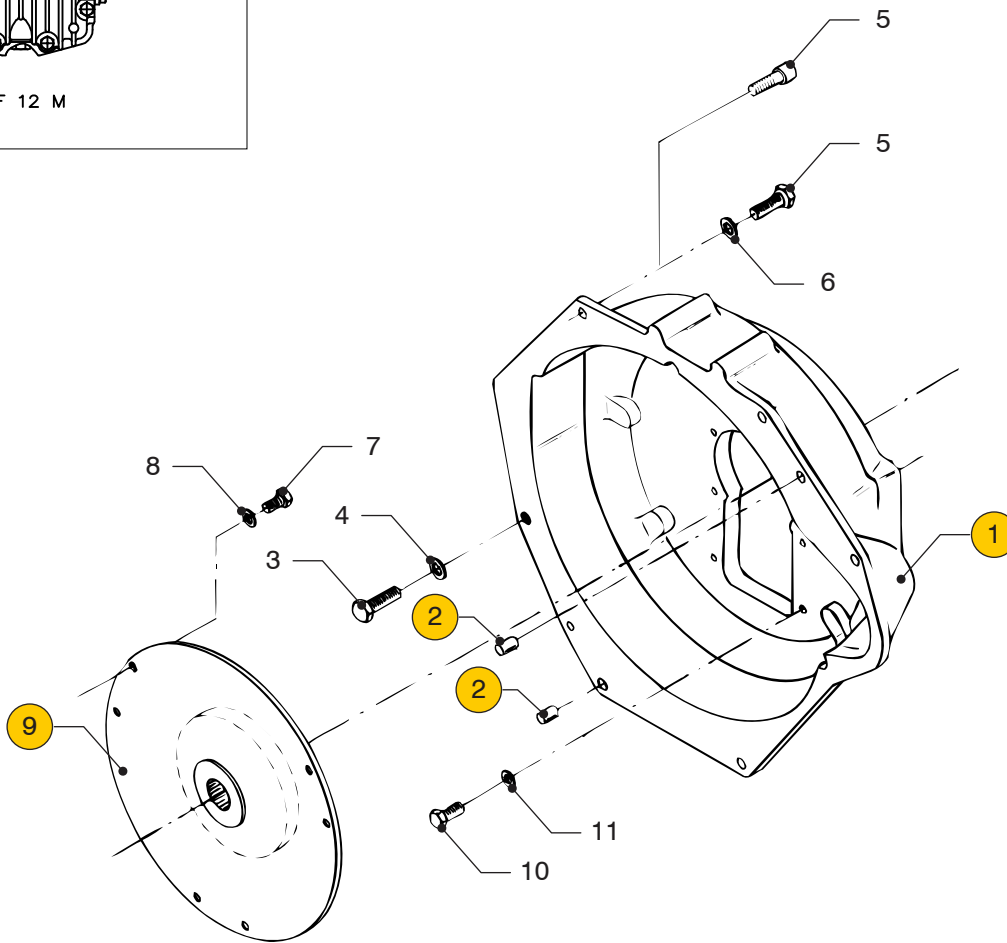
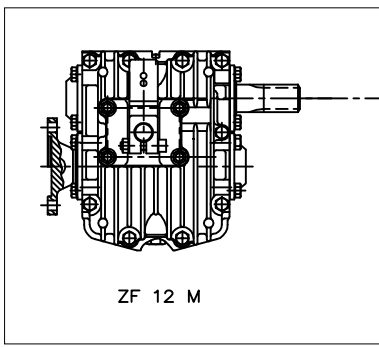


M4.17
M4.45

Vliegwielhuis ZF10M

Flywheel housing ZF10M

| pos. | qty | part | benaming | description |
|------|-----|---------|------------------------------------|--------------------------------------|
| 1 | 1 | STM7566 | Vliegwielhuis Ø88 | Flywheel housing Ø88 |
| 2 | 2 | STM3813 | Paspen 10x12 ISO 2338 | Pin 10x12 ISO 2338 |
| 3 | 1 | STM7053 | Bout M12x1,25x30 | Bolt M12x1.25x30 |
| 4 | 1 | STM4003 | Veerring M12 | Spring washer M12 |
| 5 | 4 | STM7053 | Bout M12x1,25x30 (04-2016 <-) | Bolt M12x1.25x30 (04-2016 <-) |
| | 4 | 16-4138 | Inbusbout M12x1,25x30 (-> 04-2016) | Allen screw M12x1.25x30 (-> 04-2016) |
| 6 | 4 | STM4056 | Gegolfde veerring M12 (04-2016 <-) | Wave spring washer M12 (04-2016 <-) |
| | - | STM4056 | Gegolfde veerring M12 (-> 04-2016) | Wave spring washer M12 (-> 04-2016) |
| 7 | 6 | STM4055 | Bout M8x1,25x16 | Bolt M8x1.25x16 |
| 8 | 6 | STM1056 | Veerring M8 | Spring washer M8 |
| 9 | 1 | STM4054 | Demperplaat DIN splines z=10 | Damperplate DIN splines z=10 |
| 10 | 6 | STM1610 | Bout M8x1,25x25 | Bolt M8x1.25x25 |
| 11 | 6 | STM1019 | Gegolfde veerring M8 | Spring washer M8 |

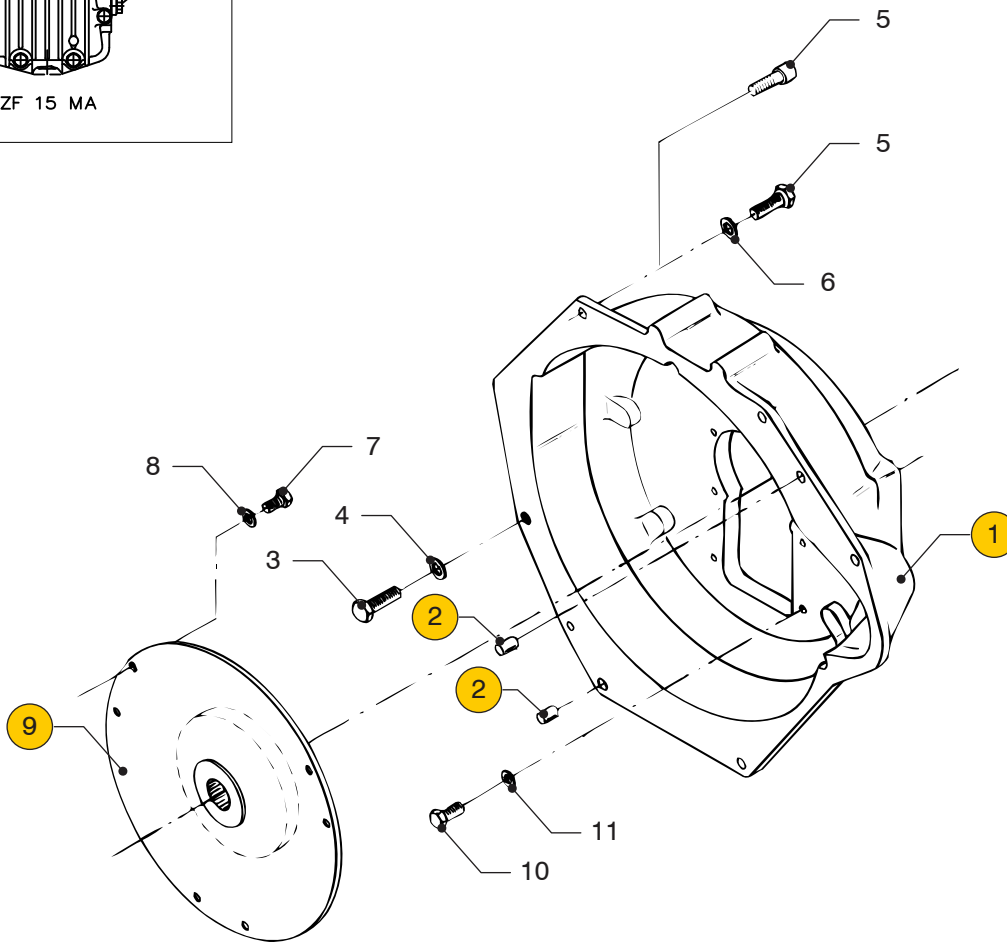
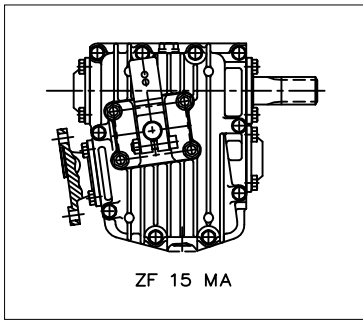


M4.17
M4.45

Vliegwielhuis ZF12M

Flywheel housing ZF12M

| pos. | qty | part | benaming | description |
|------|-----|---------|------------------------------------|--------------------------------------|
| 1 | 1 | STM7566 | Vliegwielhuis Ø88 | Flywheel housing Ø88 |
| 2 | 2 | STM3813 | Paspen 10x12 ISO 2338 | Pin 10x12 ISO 2338 |
| 3 | 1 | STM7053 | Bout M12x1,25x30 | Bolt M12x1.25x30 |
| 4 | 1 | STM4003 | Veerring M12 | Spring washer M12 |
| 5 | 4 | STM7053 | Bout M12x1,25x30 (04-2016 <-) | Bolt M12x1.25x30 (04-2016 <-) |
| | 4 | 16-4138 | Inbusbout M12x1,25x30 (-> 04-2016) | Allen screw M12x1.25x30 (-> 04-2016) |
| 6 | 4 | STM4056 | Gegolfde veerring M12 (04-2016 <-) | Wave spring washer M12 (04-2016 <-) |
| | - | STM4056 | Gegolfde veerring M12 (-> 04-2016) | Wave spring washer M12 (-> 04-2016) |
| 7 | 6 | STM4055 | Bout M8x1,25x16 | Bolt M8x1.25x16 |
| 8 | 6 | STM1056 | Veerring M8 | Spring washer M8 |
| 9 | 1 | STM4054 | Demperplaat DIN splines z=10 | Damperplate DIN splines z=10 |
| 10 | 6 | STM1610 | Bout M8x1,25x25 | Bolt M8x1.25x25 |
| 11 | 6 | STM1019 | Gegolfde veerring M8 | Spring washer M8 |

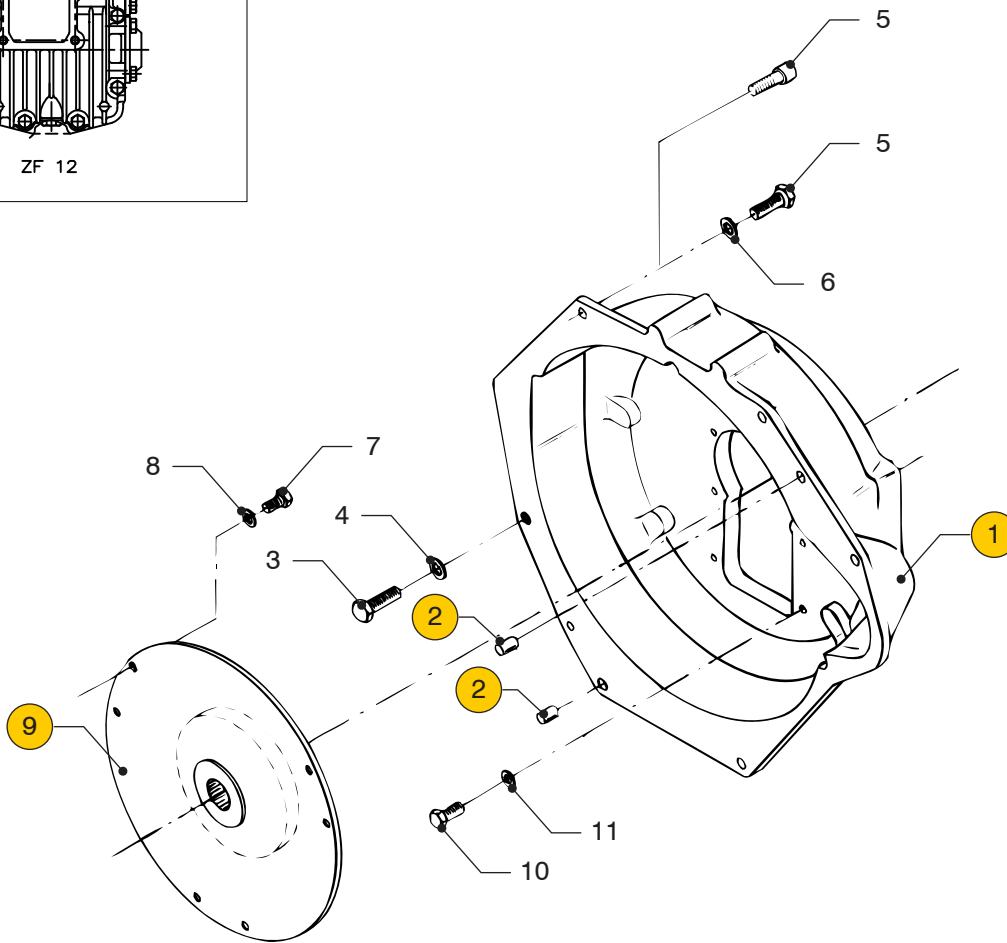
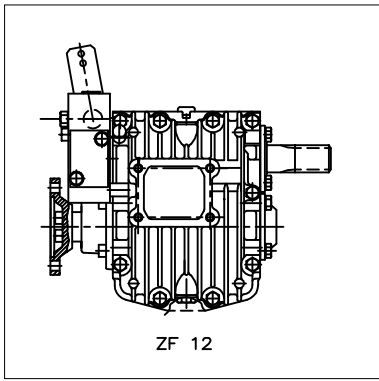


M4.17
M4.45

Vliegwielhuis ZF15MA

Flywheel housing ZF15MA

| pos. | qty | part | benaming | description |
|------|-----|---------|------------------------------------|--------------------------------------|
| 1 | 1 | STM7566 | Vliegwielhuis Ø88 | Flywheel housing Ø88 |
| 2 | 2 | STM3813 | Paspen 10x12 ISO 2338 | Pin 10x12 ISO 2338 |
| 3 | 1 | STM7053 | Bout M12x1,25x30 | Bolt M12x1.25x30 |
| 4 | 1 | STM4003 | Veerring M12 | Spring washer M12 |
| 5 | 4 | STM7053 | Bout M12x1,25x30 (04-2016 <-) | Bolt M12x1.25x30 (04-2016 <-) |
| | 4 | 16-4138 | Inbusbout M12x1,25x30 (-> 04-2016) | Allen screw M12x1.25x30 (-> 04-2016) |
| 6 | 4 | STM4056 | Gegolfde veerring M12 (04-2016 <-) | Wave spring washer M12 (04-2016 <-) |
| | - | STM4056 | Gegolfde veerring M12 (-> 04-2016) | Wave spring washer M12 (-> 04-2016) |
| 7 | 6 | STM4055 | Bout M8x1,25x16 | Bolt M8x1.25x16 |
| 8 | 6 | STM1056 | Veerring M8 | Spring washer M8 |
| 9 | 1 | STM4054 | Demperplaat DIN splines z=10 | Damperplate DIN splines z=10 |
| 10 | 6 | STM1610 | Bout M8x1,25x25 | Bolt M8x1.25x25 |
| 11 | 6 | STM1019 | Gegolfde veerring M8 | Spring washer M8 |

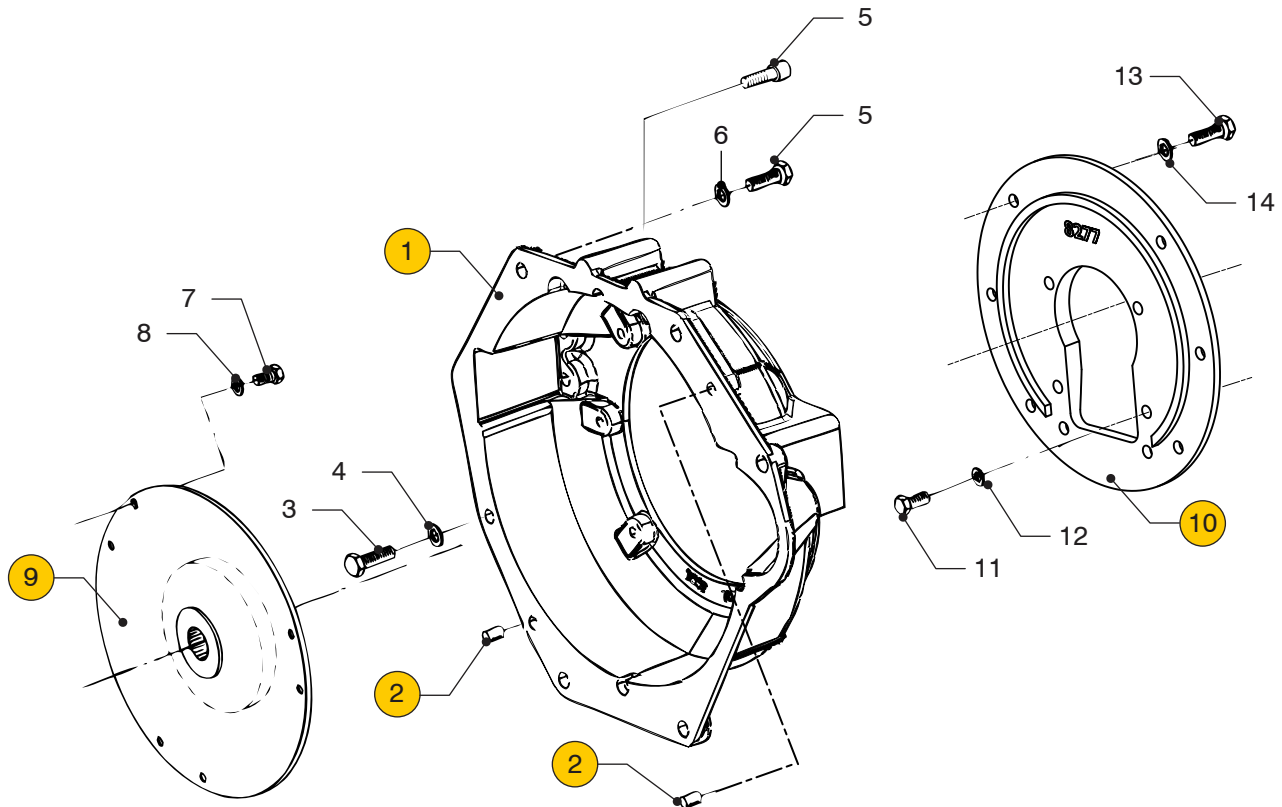
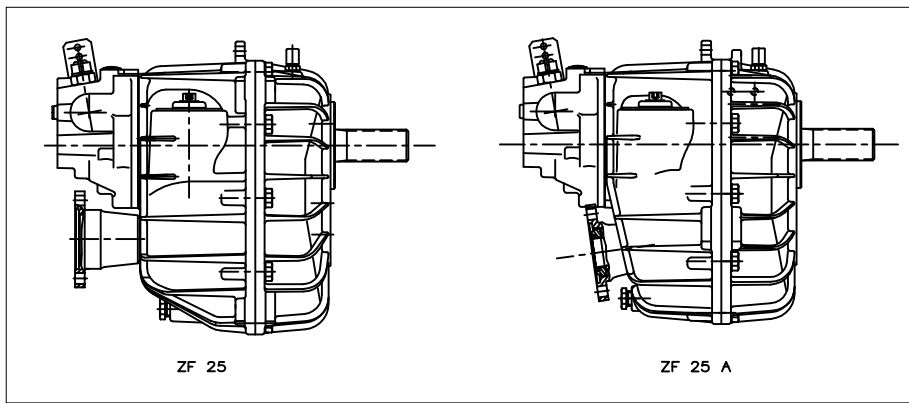


M4.17
M4.45

Vliegwielhuis ZF12

Flywheel housing ZF12

| pos. | qty | part | benaming | description |
|------|-----|---------|------------------------------------|--------------------------------------|
| 1 | 1 | STM7566 | Vliegwielhuis Ø88 | Flywheel housing Ø88 |
| 2 | 2 | STM3813 | Paspen 10x12 ISO 2338 | Pin 10x12 ISO 2338 |
| 3 | 1 | STM7053 | Bout M12x1,25x30 | Bolt M12x1.25x30 |
| 4 | 1 | STM4003 | Veerring M12 | Spring washer M12 |
| 5 | 4 | STM7053 | Bout M12x1,25x30 (04-2016 <-) | Bolt M12x1.25x30 (04-2016 <-) |
| | 4 | 16-4138 | Inbusbout M12x1,25x30 (-> 04-2016) | Allen screw M12x1.25x30 (-> 04-2016) |
| 6 | 4 | STM4056 | Gegolfde veerring M12 (04-2016 <-) | Wave spring washer M12 (04-2016 <-) |
| | - | STM4056 | Gegolfde veerring M12 (-> 04-2016) | Wave spring washer M12 (-> 04-2016) |
| 7 | 6 | STM4055 | Bout M8x1,25x16 | Bolt M8x1.25x16 |
| 8 | 6 | STM1056 | Veerring M8 | Spring washer M8 |
| 9 | 1 | STM4031 | Demperplaat DIN splines z=10 | Damperplate DIN splines z=10 |
| 10 | 6 | STM1610 | Bout M8x1,25x25 | Bolt M8x1.25x25 |
| 11 | 6 | STM1019 | Gegolfde veerring M8 | Spring washer M8 |

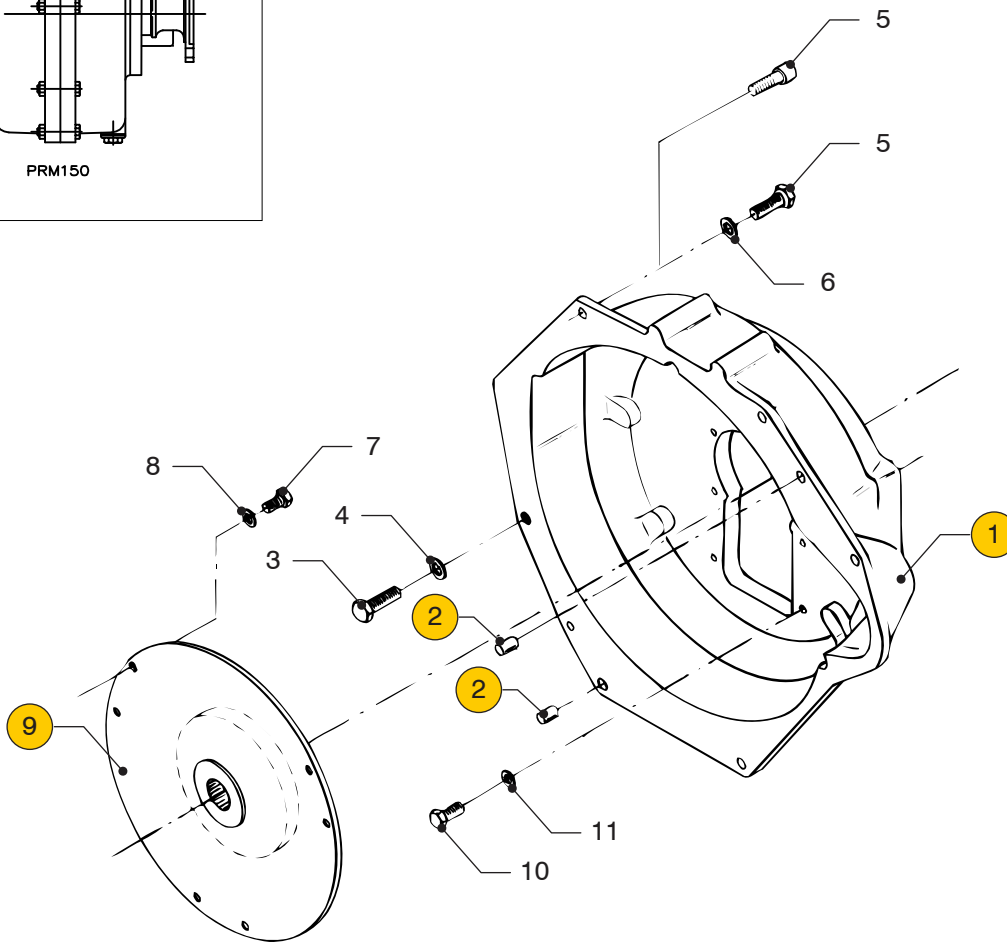
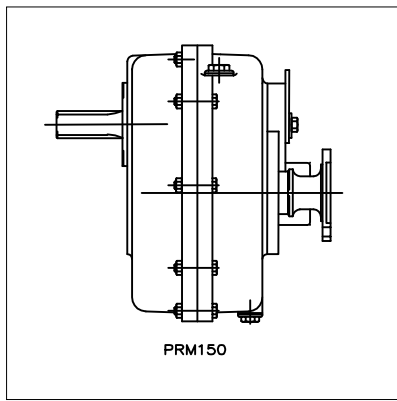


**M4.17
M4.45**

Vliegwielhuis ZF25 (A)

Flywheel housing ZF25 (A)

| pos. | qty | part | benaming | description |
|------|-----|---------|------------------------------------|--------------------------------------|
| 1 | 1 | STM7567 | Vliegwielhuis SAE7 Ø209,55 | Flywheel housing SAE 209,55 |
| 2 | 2 | STM3813 | Paspen 10x12 ISO 2338 | Pin 10x12 ISO 2338 |
| 3 | 1 | STM7053 | Bout M12x1,25x30 | Bolt M12x1.25x30 |
| 4 | 1 | STM4003 | Veerring M12 | Spring washer M12 |
| 5 | 4 | STM7053 | Bout M12x1,25x30 (04-2016 <-) | Bolt M12x1.25x30 (04-2016 <-) |
| | 4 | 16-4138 | Inbusbout M12x1,25x30 (-> 04-2016) | Allen screw M12x1.25x30 (-> 04-2016) |
| 6 | 4 | STM4056 | Gegolfde veerring M12 (04-2016 <-) | Wave spring washer M12 (04-2016 <-) |
| | - | STM4056 | Gegolfde veerring M12 (-> 04-2016) | Wave spring washer M12 (-> 04-2016) |
| 7 | 6 | STM4055 | Bout M8x1,25x16 | Bolt M8x1.25x16 |
| 8 | 6 | STM1056 | Veerring M8 | Spring washer M8 |
| 9 | 1 | STM7609 | Demperplaat sae splines z=26 | Damperplate sae splines z=26 |
| 10 | 1 | STM8277 | Adapterplaat SAE7 -> Ø92 | Adapter plate SAE7 -> Ø92 |
| 11 | 6 | STM9003 | Bout M10x1,5x25 | Bolt M10x1.5x25 |
| 12 | 6 | STM4003 | Gegolfde veerring M10 | Wave spring washer M10 |
| 13 | 6 | STM9003 | Bout M10x25 | Bolt M10x25 |
| 14 | 6 | STM4003 | Gegolfde veerring M10 | Wave spring washer M10 |

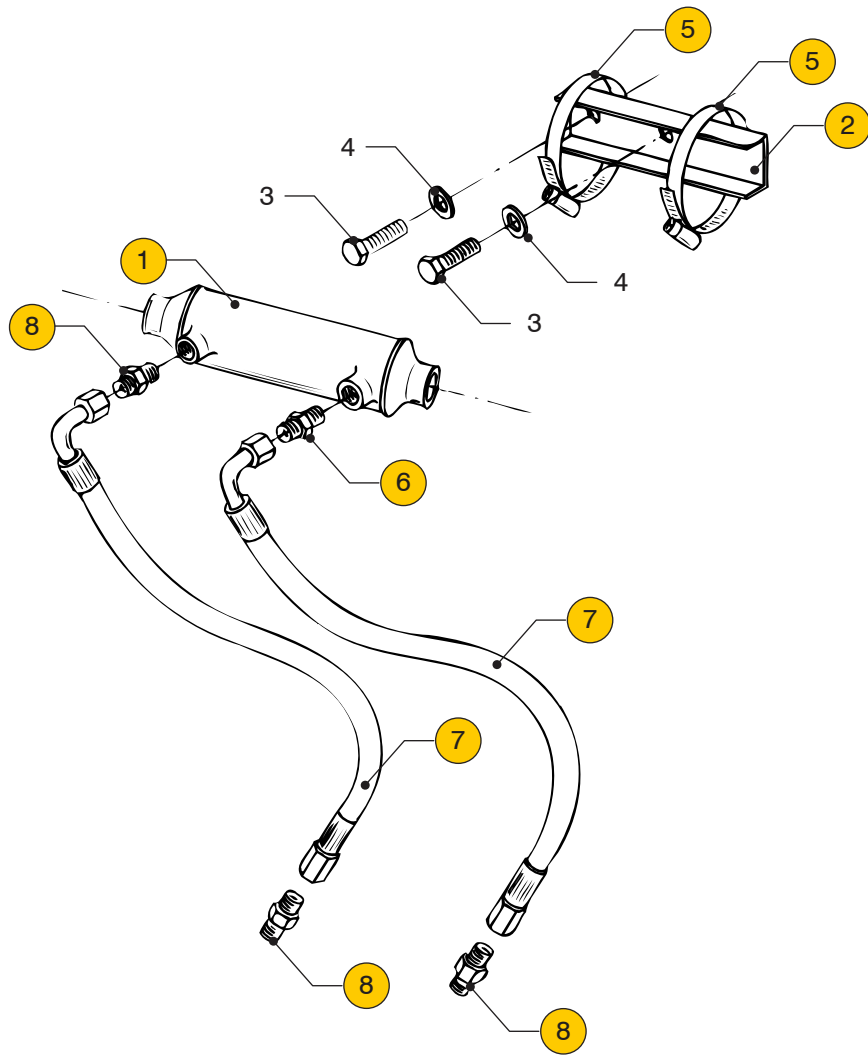


M4.17
M4.45

Vliegwielhuis PRM150

Flywheel housing PRM150

| pos. | qty | part | benaming | description |
|------|-----|---------|------------------------------------|--------------------------------------|
| 1 | 1 | STM7566 | Vliegwielhuis Ø88 | Flywheel housing Ø88 |
| 2 | 2 | STM3813 | Paspen 10x12 ISO 2338 | Pin 10x12 ISO 2338 |
| 3 | 1 | STM7053 | Bout M12x1,25x30 | Bolt M12x1.25x30 |
| 4 | 1 | STM4003 | Veerring M12 | Spring washer M12 |
| 5 | 4 | STM7053 | Bout M12x1,25x30 (04-2016 <-) | Bolt M12x1.25x30 (04-2016 <-) |
| | 4 | 16-4138 | Inbusbout M12x1,25x30 (-> 04-2016) | Allen screw M12x1.25x30 (-> 04-2016) |
| 6 | 4 | STM4056 | Gegolfde veerring M12 (04-2016 <-) | Wave spring washer M12 (04-2016 <-) |
| | - | STM4056 | Gegolfde veerring M12 (-> 04-2016) | Wave spring washer M12 (-> 04-2016) |
| 7 | 6 | STM4055 | Bout M8x1,25x16 | Bolt M8x1.25x16 |
| 8 | 6 | STM1056 | Veerring M8 | Washer M8 |
| 9 | 1 | STM4031 | Demperplaat DIN splines z=10 | Damperplate DIN splines z=10 |
| 10 | 6 | STM1610 | Bout M8x1,25x25 | Bolt M8x1.25x25 |
| 11 | 6 | STM1019 | Gegolfde veerring M8 | Spring washer M8 |



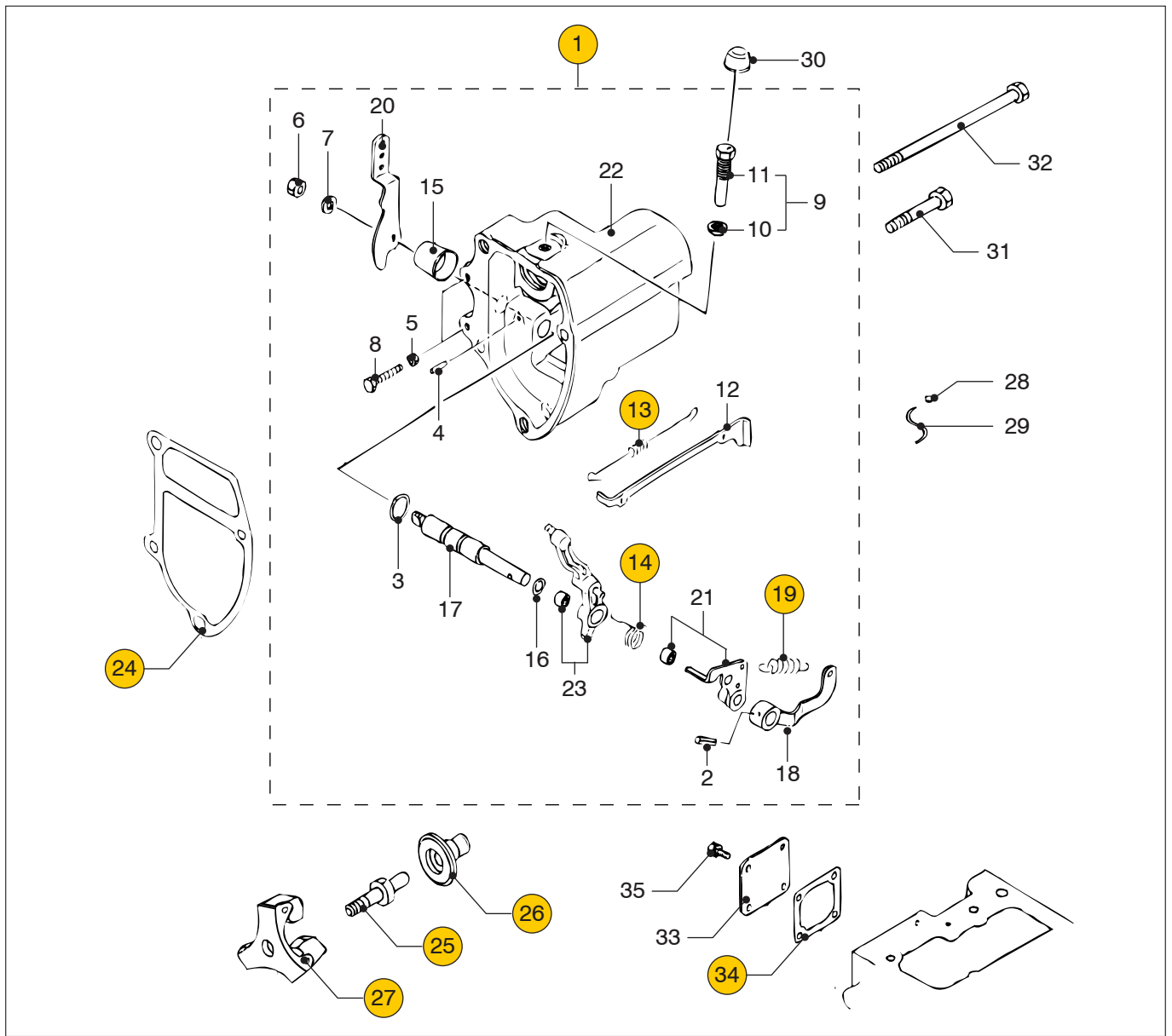
M4.15

M4.17

Oliekoeler keerkoppeling

Oil cooler gearbox

| pos. | qty | part | benaming | description |
|------|-----|---------|---|---|
| 1 | 1 | STM5007 | Oliekoeler 7"xø55-G3/8 slangaansluiting ø25, Interkoeling | Oilcooler 7"xø55-G3/8 hose connection ø25, Intercooling |
| | 1 | STM3771 | Oliekoeler 7"xø55-G3/8 slangaansluiting ø33, Kielkoeling | Oilcooler 7"xø55-G3/8 hose connection ø33, Keelcooling |
| 2 | 1 | STM7568 | Steun | Support |
| 3 | 2 | STM3355 | Bout M8x1,25x20 | Bolt M8x1.25x20 |
| 4 | 2 | STM1019 | Gegolfde veerring M8 | Wavespring washer M8 |
| 5 | 2 | HCS75 | Slangklem 77-95 | Hose clamp 77-95 |
| 6 | 2 | STM3491 | Nippel G3/8 -> M16 | Nipple G3/8 -> M16 |
| 7 | 2 | CT50079 | Slang l=550 | Hose l=550 |
| 8 | 2 | STM3491 | Nippel M16 -> G3/8 HSW | Nipple M16 -> G3/8 HSW |

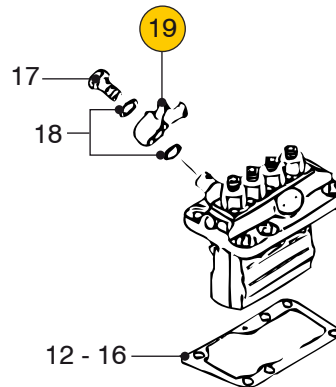
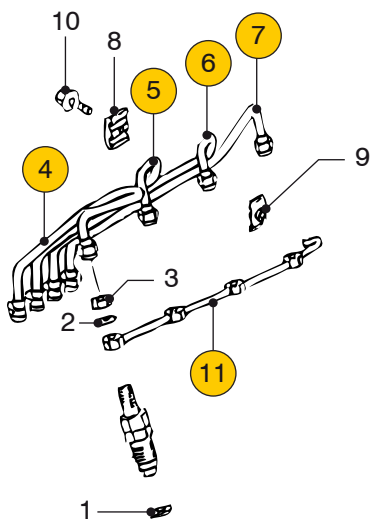


M4.15 M4.17
M4.35 M4.45

Regulateur

Regulator

| pos. | qty | part | benaming | description |
|------|-----|---------|------------|--------------|
| 19 | 1 | STM7913 | Veer | Spring |
| 20 | 1 | STM7914 | Hefboom | Lever |
| 21 | 1 | STM7915 | Hefboom | Lever |
| 22 | 1 | STM7916 | Huis | Case |
| 23 | 1 | STM7917 | Hefboom | Lever |
| 24 | 1 | STM7918 | Pakking | Gasket |
| 25 | 1 | STM7919 | As | Shaft |
| 26 | 1 | STM7920 | Geleiding | Sleeve |
| 27 | 1 | STM7921 | Gewicht | Weight |
| 28 | 1 | STM2718 | Zegellood | Seal metal |
| 29 | 1 | STM7922 | Zegeldraad | Sealing wire |
| 30 | 1 | STM7923 | Kap | Cap |
| 31 | 3 | STM7924 | Bout | Bolt |
| 32 | 1 | STM7925 | Bout | Bolt |
| 33 | 1 | STM7926 | Deksel | Cover |
| 34 | 1 | STM2734 | Pakking | Gasket |
| 35 | 4 | STM7928 | Bout | Bolt |

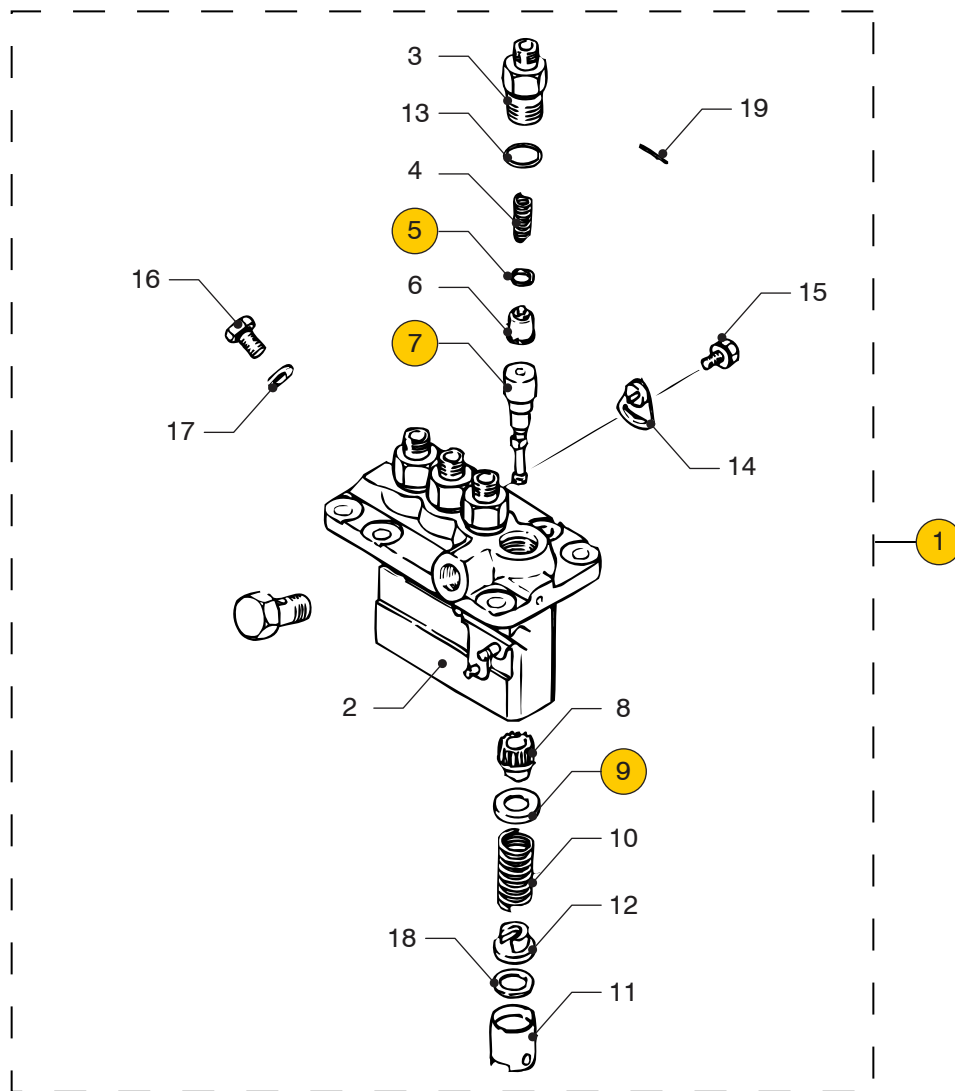


M4.15 **M4.17**
M4.35 **M4.45**

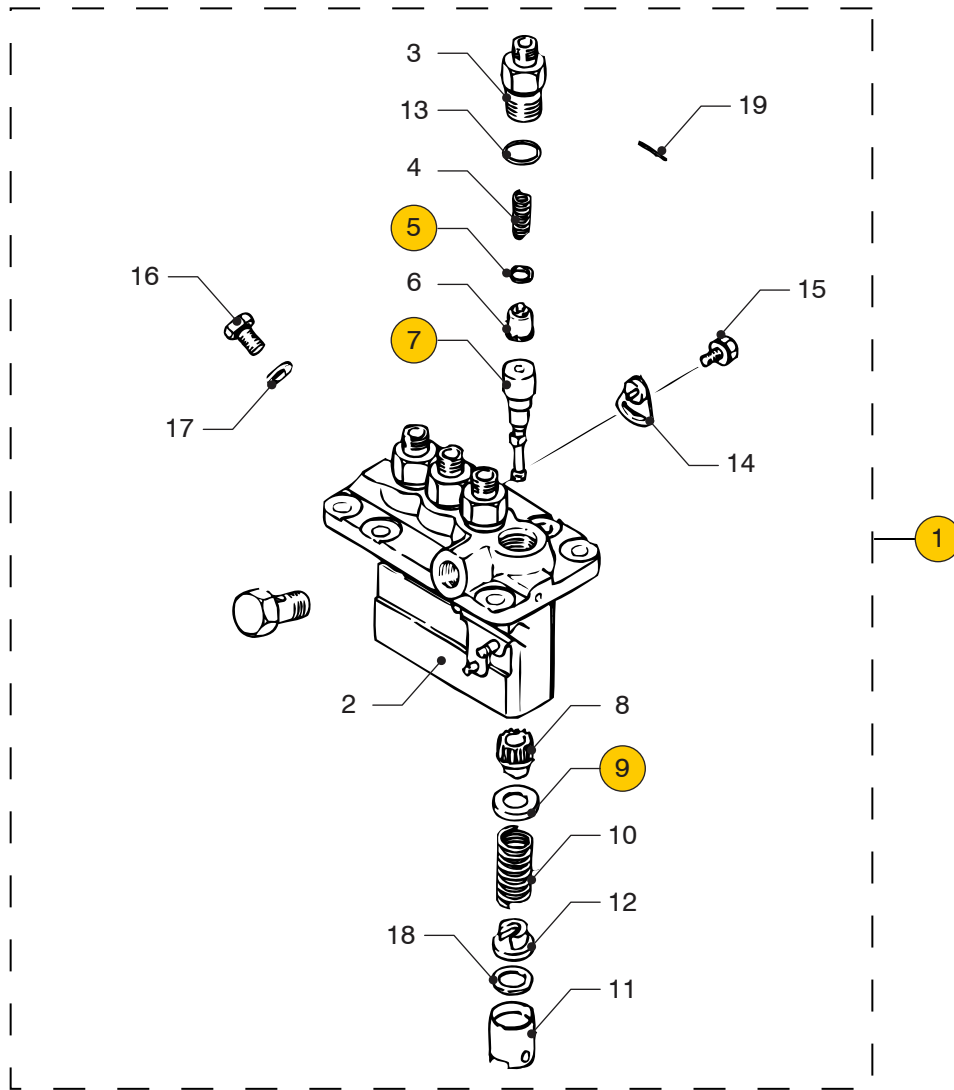
Brandstofleidingen

Fuel pipes

| pos. | qty | part | benaming | description |
|------|-----|---------|--------------|-------------|
| 1 | 4 | STM1299 | Pakking | Gasket |
| 2 | 4 | STM1303 | Pakking | Gasket |
| 3 | 4 | STM7863 | Moer | Nut |
| 4 | 1 | STM7864 | Leiding | Pipe |
| 5 | 1 | STM7865 | Leiding | Pipe |
| 6 | 1 | STM7866 | Leiding | Pipe |
| 7 | 1 | STM7867 | Leiding | Pipe |
| 8 | 3 | STM3409 | Klem | Clamp |
| 9 | 3 | STM3410 | Klem | Clamp |
| 10 | 3 | STM7868 | Bout | Bolt |
| 11 | 1 | STM7869 | Leiding | Pipe |
| 12 | | STM7870 | Shim 0.7 | Shim 0.7 |
| 13 | | STM7871 | Shim 0.8 | Shim 0.8 |
| 14 | | STM7872 | Shim 0.9 | Shim 0.9 |
| 15 | | STM7873 | Shim 1.0 | Shim 1.0 |
| 16 | | STM7874 | Shim 0.2 | Shim 0.2 |
| 17 | 1 | STM7875 | Bout | Bolt |
| 18 | 2 | STM7876 | Ring | Washer |
| 19 | 1 | STM7877 | Slang pilaar | Hose pillar |



| | M4.15 M4.35 | M4.17 M4.45 | Brandstofpomp | Fuel pump |
|------|----------------|----------------|---|---|
| pos. | qty | part | benaming | description |
| ① | 1 | STM7968 | Brandstofpomp cpl. | Fuel pump cpl. |
| | 1 | STM9971 | Brandstofpomp cpl. M4.17 serienr. 113342 -> | Fuel pump cpl. M4.17 serial nr. 113342 -> |
| 2 | 4 | STM7969 | Huis | Housing |
| 3 | 4 | STM7970 | Houder | Holder |
| | | STM9962 | Houder M4.17 serienr. 113342 -> | Holder M4.17 serial nr. 113342 -> |
| 4 | 4 | STM7971 | Veer | Spring |
| | | STM9963 | Veer M4.17 serienr. 113342 -> | Spring M4.17 serial nr. 113342 -> |
| ⑤ | 4 | STM7972 | Pakking | Gasket |
| 6 | 4 | STM7973 | Klep | Valve |
| | | STM9964 | Klep M4.17 serienr. 113342 -> | Valve M4.17 serial nr. 113342 -> |
| ⑦ | 4 | STM7974 | Element | Element |
| | | STM9965 | Element M4.17 serienr. 113342 -> | Element M4.17 serial nr. 113342 -> |
| 8 | 4 | STM7975 | Geleider | Sleeve |
| ⑨ | 4 | STM7976 | Zitting | Seat |
| 10 | 4 | STM7977 | Veer | Spring |
| 11 | 4 | STM7978 | Stoter | Tappet |



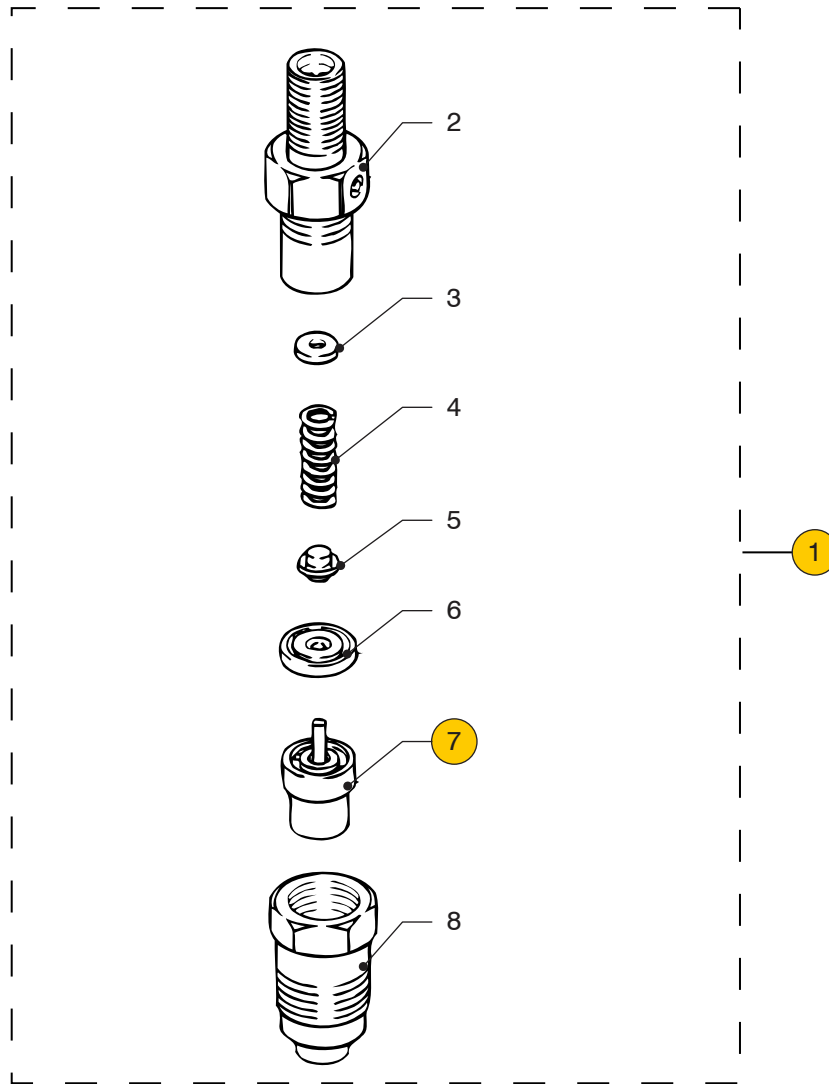
M4.15
M4.35

M4.17
M4.45

Brandstofpomp

Fuel pump

| pos. | qty | part | benaming | description |
|------|-----|---------|-----------|-------------|
| 12 | 4 | STM7979 | Zitting | Seat |
| 13 | 4 | STM7980 | O-ring | O-ring |
| 14 | 3 | STM7981 | Stelplaat | Plate |
| 15 | 3 | STM7982 | Bout | Bolt |
| 16 | 1 | STM7983 | Schroef | Screw |
| 17 | 1 | STM7985 | Ring | Washer |
| 18 | 1 | STM7986 | Shim | Shim |
| 19 | 1 | STM7987 | Pen | Pin |

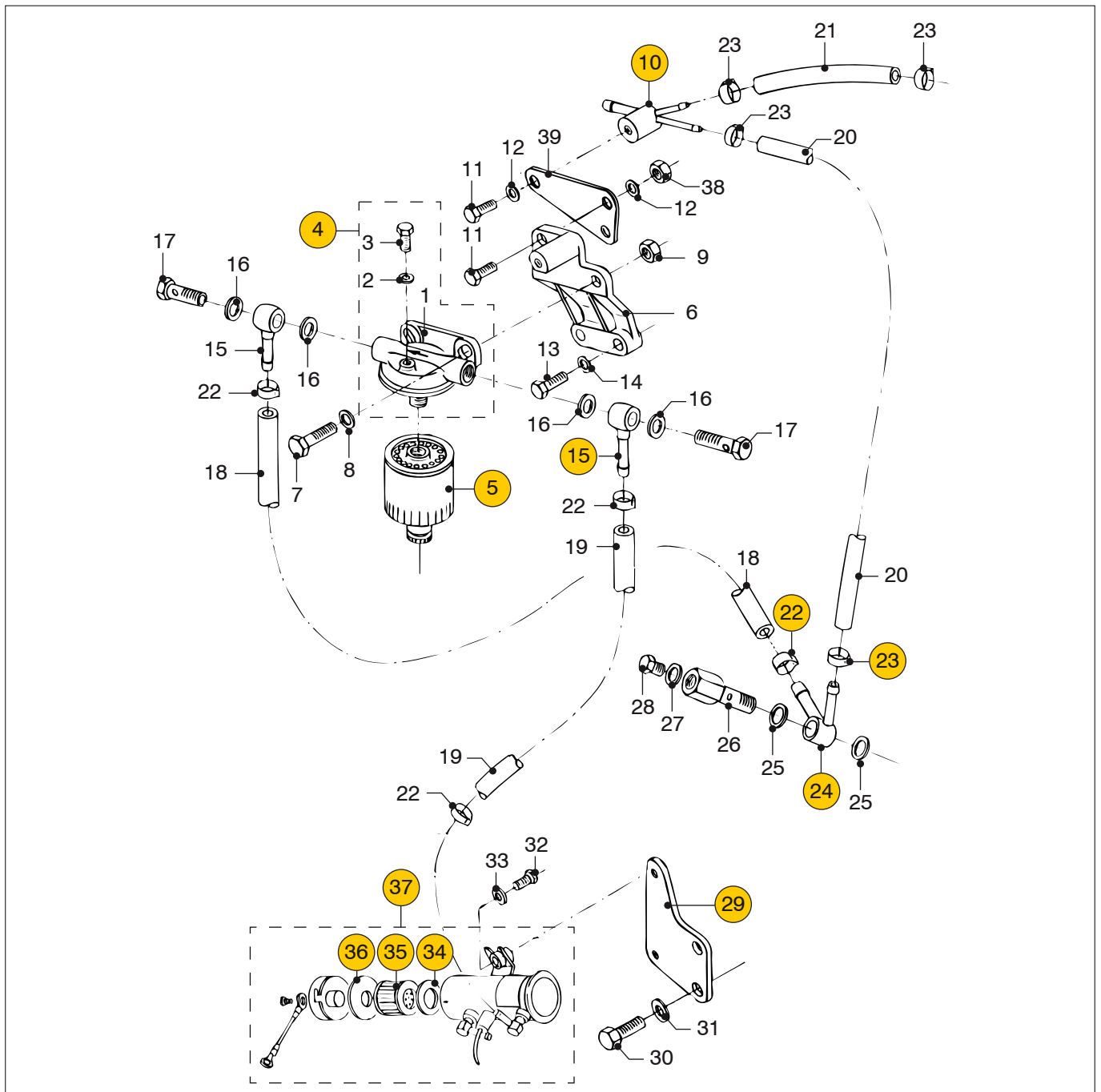


M4.15 **M4.17**
M4.35 **M4.45**

Verstuiverhouder

Nozzle holder

| pos. | qty | part | benaming | description |
|------|-----|---------|-----------------------|--------------------|
| ① | 1 | STM1298 | Verstuiverhouder cpl. | Nozzle holder cpl. |
| 2 | 1 | STM7879 | Verstuiverhouder | Nozzle holder |
| 3 | | STM7880 | Ring 1.25 | Washer 1.25 |
| | | STM7881 | Ring 1.3 | Washer 1.3 |
| | | STM7882 | Ring 1.35 | Washer 1.35 |
| | | STM7883 | Ring 1.4 | Washer 1.4 |
| | | STM7884 | Ring 1.45 | Washer 1.45 |
| | | STM7885 | Ring 1.5 | Washer 1.5 |
| | | STM7886 | Ring 1.55 | Washer 1.55 |
| | | STM7887 | Ring 1.6 | Washer 1.6 |
| | | STM7888 | Ring 1.65 | Washer 1.65 |
| | | STM7889 | Ring 1.7 | Washer 1.7 |
| 4 | 4 | STM7890 | Veer | Spring |
| 5 | 4 | STM7891 | Pen | Pin |
| 6 | 4 | STM7892 | Afstandstuk | Distance piece |
| ⑦ | 4 | STM1391 | Verstuiver | Nozzle |
| 8 | 4 | STM7894 | Moer | Nut |



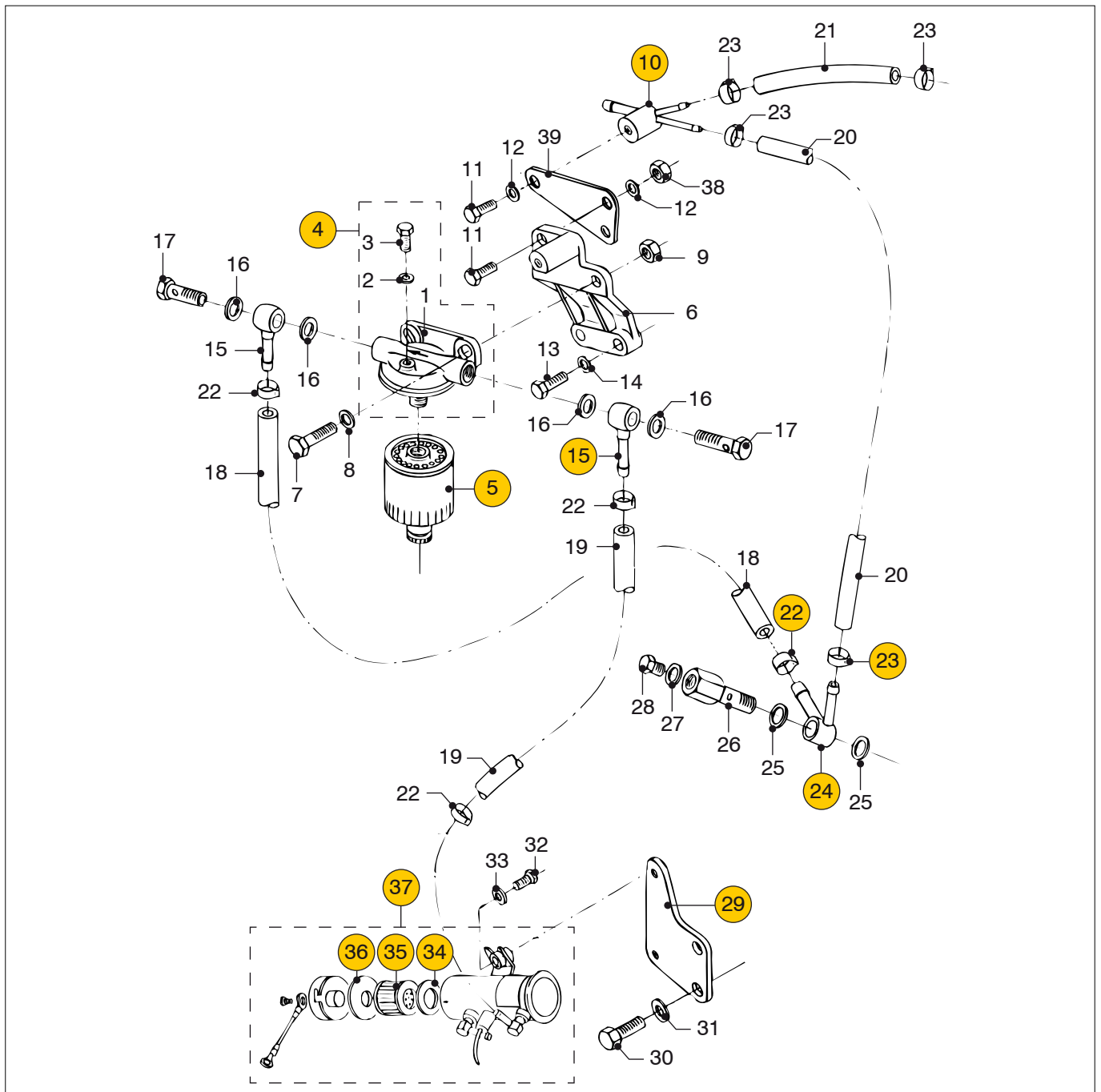
M4.15

M4.17

Brandstoffilter

Fuel filter

| pos. | qty | part | benaming | description |
|------|-----|---------|--------------------------|------------------------|
| 1 | 1 | STM6050 | Filterkop | Filter head |
| 2 | 1 | STM3797 | Afdichtring | Seal washer |
| 3 | 1 | STM3796 | Bout M8x1,25x10 | Bolt M8x1.25x10 |
| 4 | 1 | STM6049 | Filterkop compleet 1+2+3 | Filterkop cpl. 1+2+3 |
| 5 | 1 | STM3690 | Brandstoffilter | Fuel filter |
| 6 | 1 | STM6115 | Steun | Support |
| 7 | 2 | STM4013 | Bout M10x1,5x30 | Bolt M10x1.5x30 |
| 8 | 2 | STM4061 | Gegolfde veerring M10 | Wave spring washer M10 |
| 9 | 2 | STM4018 | Moer M10 | Nut M10 |
| 10 | 1 | STM6180 | Nippel | Nipple |
| 11 | 2 | STM1030 | Bout M6x1x20 | Bolt M6x1x20 |
| 12 | 2 | STM1025 | Gegolfde veerring M6 | Wave spring washer M6 |
| 13 | 2 | STM7059 | Bout M8x1,25x30 | Bolt M8x1.25x30 |
| 14 | 2 | STM1019 | Gegolfde veerring M8 | Wave spring washer M8 |



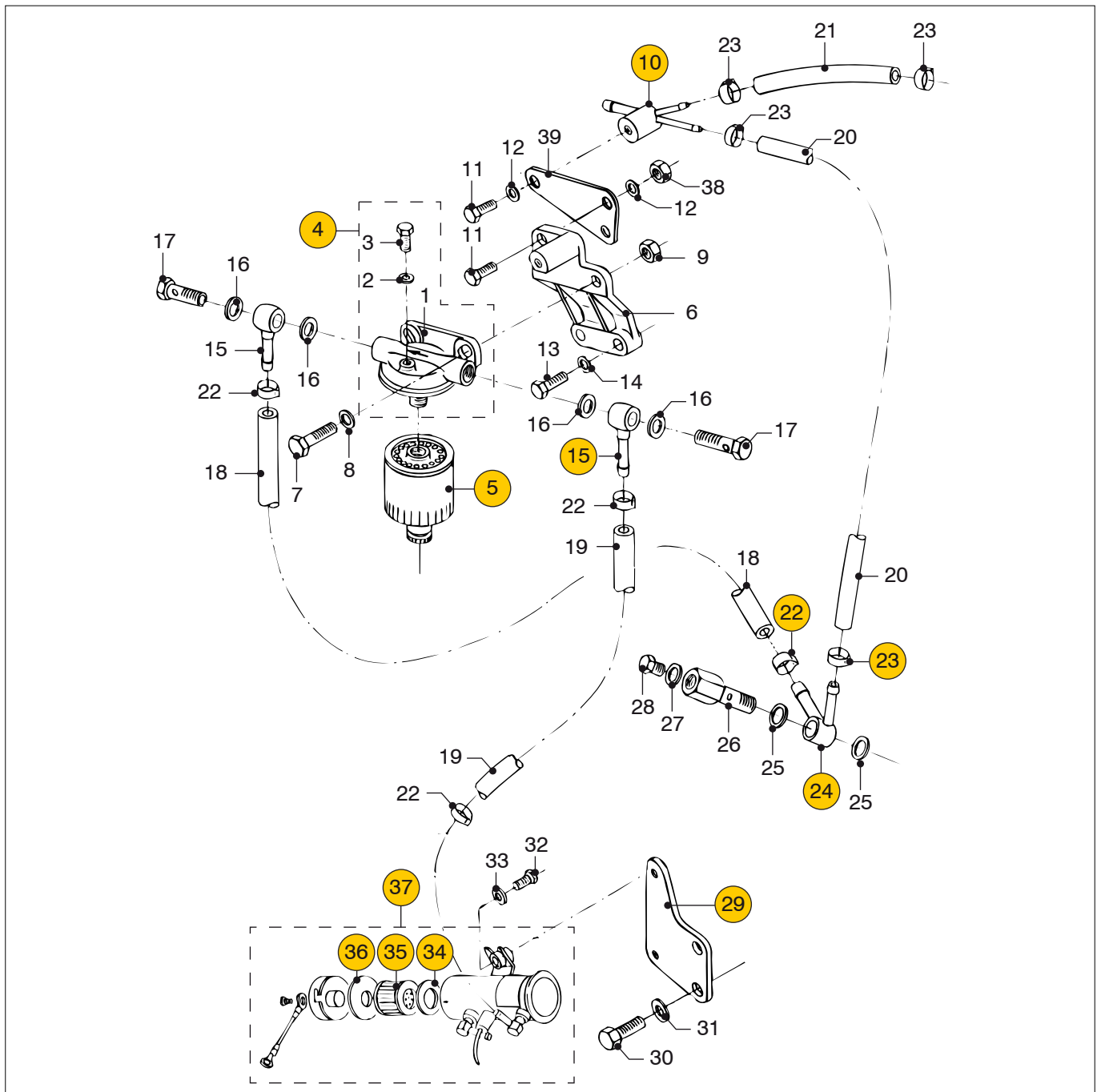
M4.15

M4.17

Brandstofffilter

Fuel filter

| pos. | qty | part | benaming | description |
|------|-----|---------|--------------------------|---------------------|
| 15 | 2 | STM9262 | Banjo-oog | Banjo eye |
| 16 | 4 | STM7056 | Afdichtring | Seal washer |
| 17 | 2 | STM8057 | Banjo bout M12x1 | Banjo bolt M12x1 |
| 18 | 1 | STM6581 | Brandstofslang ø8 440 mm | Fuel hose ø8 440 mm |
| 19 | 1 | STM6581 | Brandstofslang ø8 440 mm | Fuel hose ø8 440 mm |
| 20 | 1 | STM7598 | Brandstofslang ø5 450 mm | Fuel hose ø5 450 mm |
| 21 | 1 | STM7599 | Brandstofslang ø5 110 mm | Fuel hose ø5 110 mm |
| 22 | 4 | STM6185 | Klem | Clamp |
| 23 | 4 | STM6186 | Klem | Clamp |
| 24 | 1 | STM7877 | Slangpilaar | Hose pillar |
| 25 | 2 | STM7876 | Afdichtring | Seal washer |
| 26 | 1 | STM7988 | Banjo-bout | Banjo bolt |
| 27 | 1 | STM7989 | Afdichtring | Seal washer |
| 28 | 1 | STM7990 | Bout | Bolt |



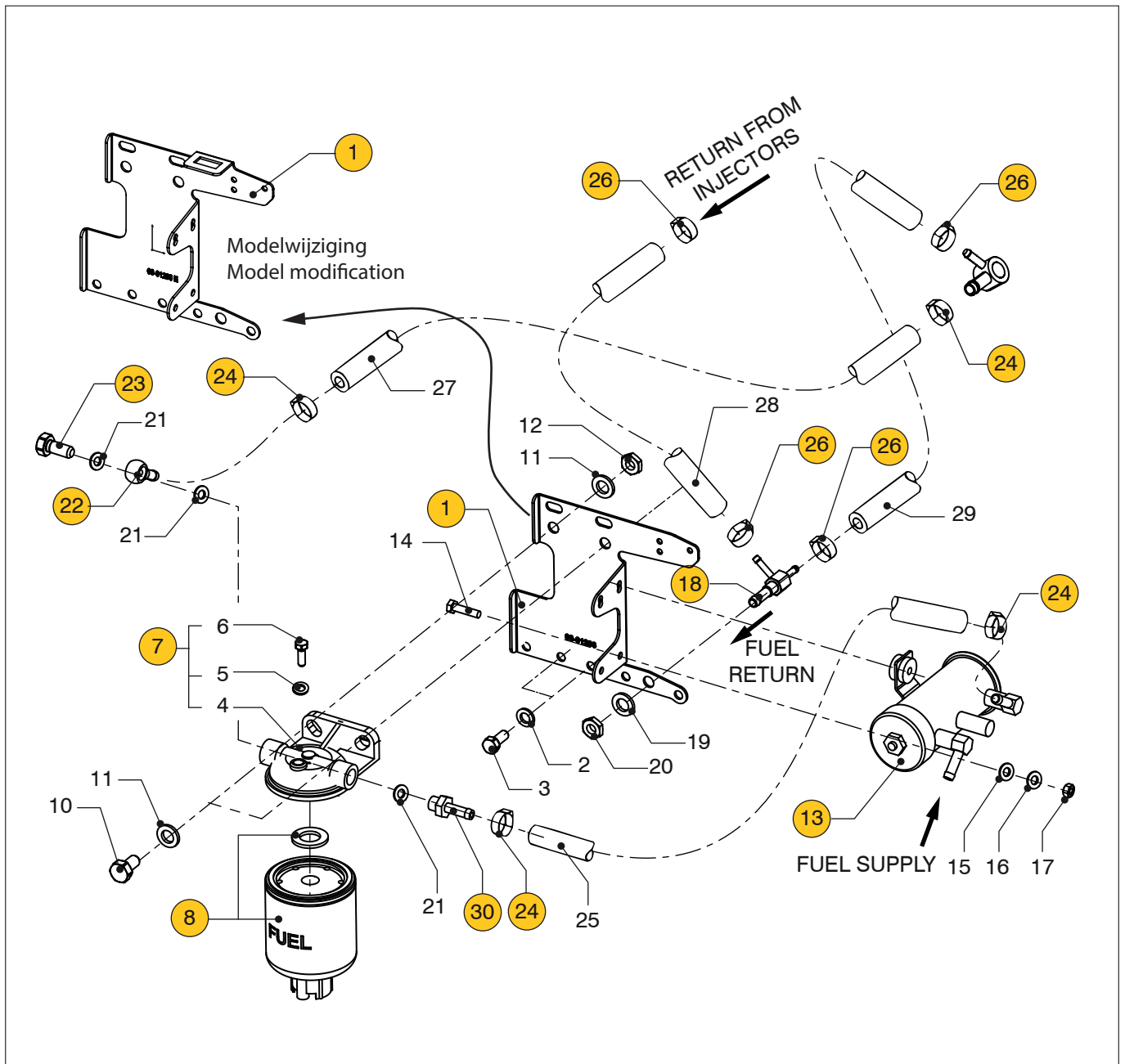
M4.15

M4.17

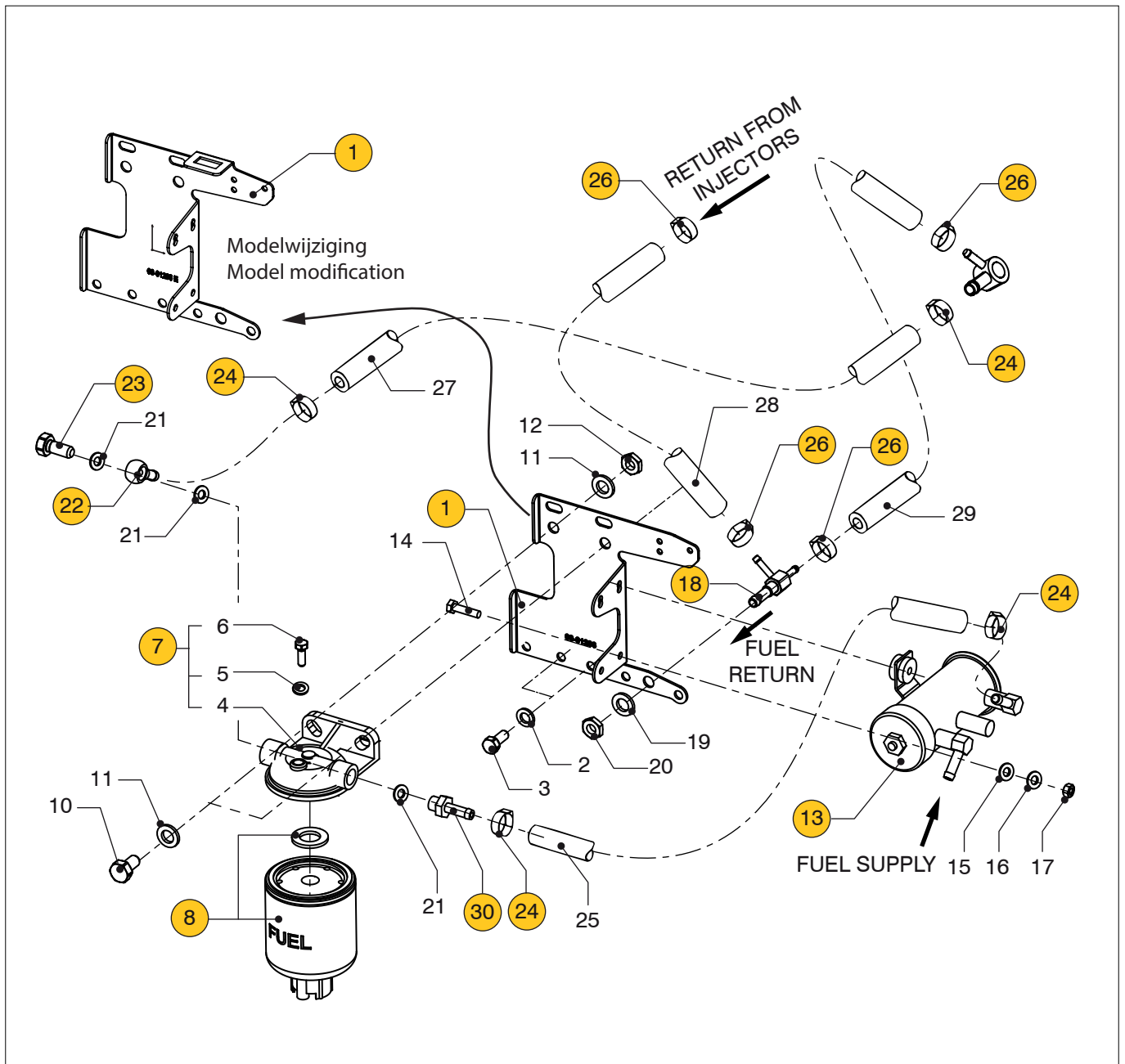
Brandstoffilter

Fuel filter

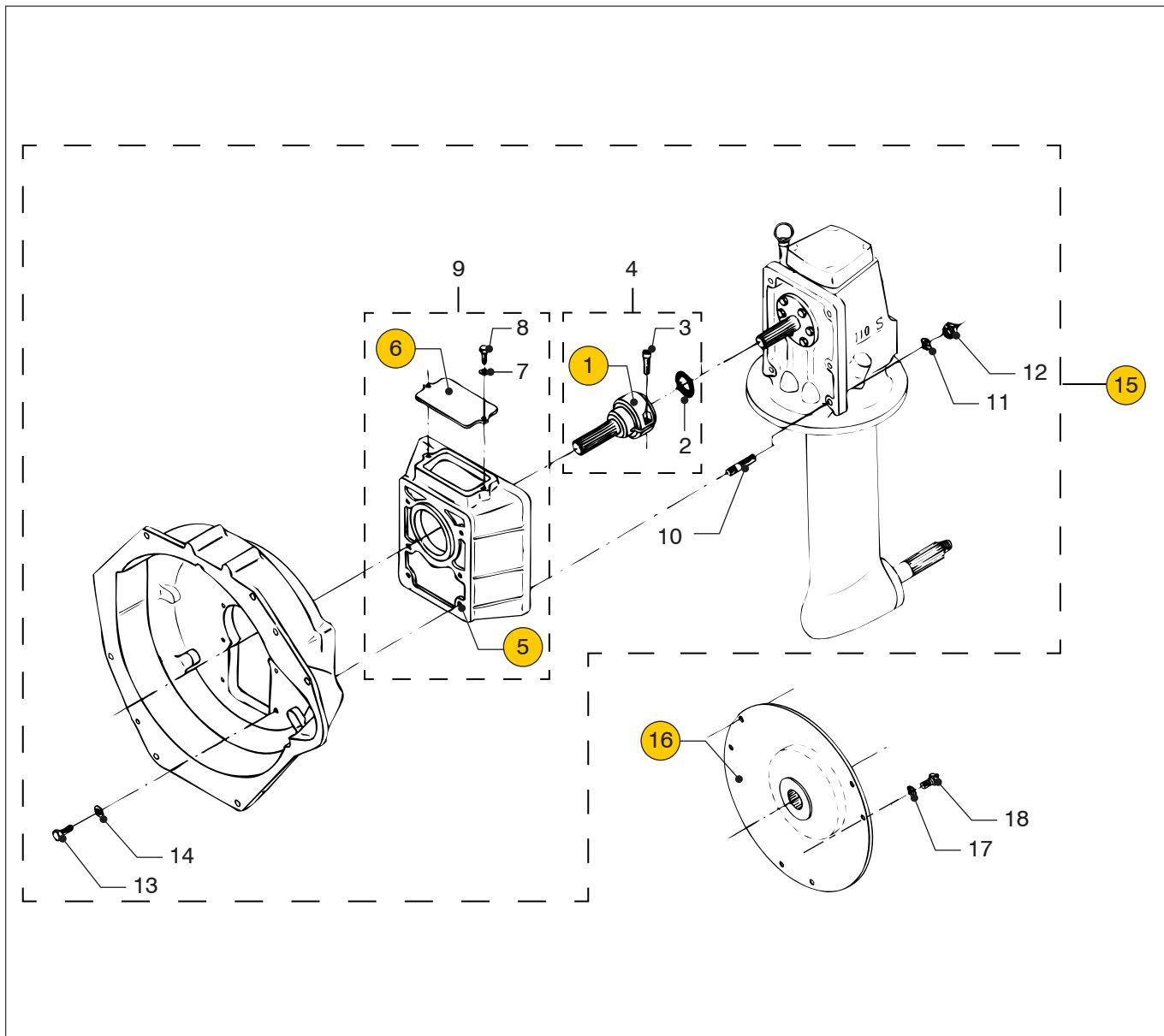
| pos. | qty | part | benaming | description |
|------|-----|---------|---------------------------------|---------------------------|
| 29 | 1 | STM7572 | Steun | Support |
| 30 | 2 | STM3817 | Bout M12x1,25x25 | Bolt M12x1.25x25 |
| 31 | 2 | STM4003 | Veerring M12 | Spring washer M12 |
| 32 | 2 | STM1030 | Bout M6x1x20 | Bolt M6x1x20 |
| 33 | 2 | CT40029 | Veerring M6 | Spring washer M6 |
| 34 | 1 | STM4037 | Pakking | Gasket |
| 35 | 1 | STM4050 | Filter | Filter |
| 36 | 1 | STM4038 | Pakking | Gasket |
| 37 | 1 | STM4049 | Electrische brandstofopvoerpomp | Electrical fuel lift pump |
| 38 | 1 | STM3260 | Moer M6 | Nut M6 |
| 39 | 1 | STM6291 | Steun | Support |



| M4.35 | | M4.45 | | Brandstoffilter | Fuel filter |
|-------|-----|-----------|---------------------------------|-------------------------|-------------|
| pos. | qty | part | benaming | description | |
| 1 | 1 | 08-01286 | Steun <-11-2021 | Support <-11-2021 | |
| | 1 | 08-01286E | Steun 11-2021 -> | Support 11-2021 -> | |
| | 2 | STM1056 | Veerring M8 | Spring washer M8 | |
| | 2 | STM4055 | Bout M8x16 | Bolt M8x16 | |
| | 1 | STM6050 | Filterkop | Filter head | |
| | 1 | STM3779 | Afdichtring | Seal washer | |
| | 1 | STM3796 | Bout M8x1,25x10 | Bolt M8x1,25x10 | |
| 7 | 1 | STM6049 | Filterkop compleet 4+5+6 | Filter heat cpl. 4+5+6 | |
| 8 | 1 | STM3690 | Brandstof filter | Fuel filter | |
| | 2 | STM4016 | Bout M10x1,5x20 | Bolt M10x1,5x20 | |
| | 4 | STM4061 | Gegolfde veerring M10 | Wave spring washer M10 | |
| | 2 | STM4018 | Moer M10 | Nut M10 | |
| 13 | 1 | STM4049 | Electrische brandstofopvoerpomp | Electric fuel lift pump | |
| | 2 | STM8372 | Bout M6x25 | Bolt M6x25 | |
| | 2 | STM8726 | Sluitring M6 | Plain washer M6 | |
| | 2 | STM1025 | Gegolfde veerring M6 | Wave spring washer M6 | |



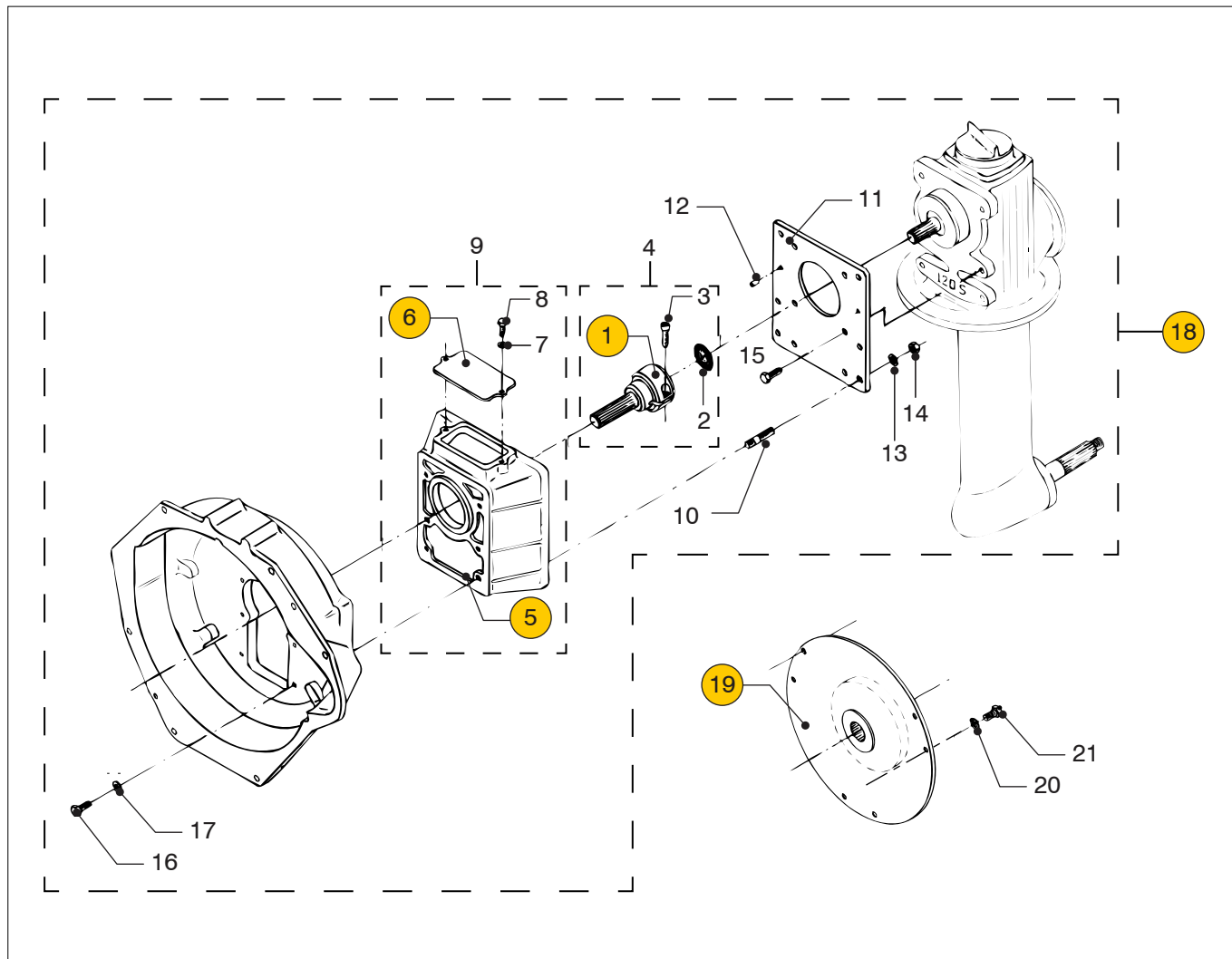
| | | Brandstoffilter | Fuel filter | |
|-------|-------|-----------------|------------------------------|-------------------------|
| M4.35 | M4.45 | | | |
| pos. | qty | part | benaming | description |
| | 17 | 2 STM8129 | Zelfborgende moer M6 | Nyloc nut M6 |
| | 18 | 1 08-01302 | Brandstof retour nippel Ø8mm | Fuel return nipple Ø8mm |
| | 19 | 1 STM2022 | Gegolfde veerring M10 | Wave spring washer M10 |
| | 20 | 1 08-01289 | Lage moer M10x1 | Thin nut M10x1 |
| | 21 | 3 STM7056 | Afdichtring M12 | Seal washer M12 |
| | 22 | 1 STM9262 | Banjo-oog | Banjo eye |
| | 23 | 1 STM8057 | Banjo bout M12x1 | Banjo bolt M12x1 |
| | 24 | 4 STM6185 | Klem | Clamp |
| | 25 | 1 08-01304 | Slang Ø8 L=170 mm | Hose Ø8 L=170 mm |
| | 26 | 4 STM6186 | Klem | Clamp |
| | 27 | 1 08-01305 | Slang Ø8 L=580 mm | Hose Ø8 L=580 mm |
| | 28 | 1 08-01306 | Slang Ø5 L=200 mm | Hose Ø5 L=200 mm |
| | 29 | 1 STM7598 | Slang Ø5 L=450 mm | Hose Ø5 L=450 mm |
| | 30 | 1 STM4591 | Slangpilaar M12x1-Ø8 | Hose pilar M12x1-Ø8 |



M4.15 M4.17 Verloopset saildrive 110S
M4.35 M4.45

Adaptor kit saildrive 110S

| pos. | qty | part | benaming | description |
|------|-----|---------|------------------------------|-------------------------------|
| 1 | 1 | STM7605 | Koppeling | Coupling |
| 2 | 1 | STM7607 | O-ring | O-ring |
| 3 | 2 | STM8332 | Inbusbout M8x30 | Allen screw M8x30 |
| 4 | 1 | STM7611 | Koppeling compleet (1+2+3) | Coupling cpl.(1+2+3) |
| 5 | 1 | STM7601 | Adapterhuis | Adaptor case |
| 6 | 1 | STM7603 | Deksel | Cover |
| 7 | 2 | STM1025 | Gegolfde veerring M6 | Wave spring washer M6 |
| 8 | 2 | STM1024 | Bout M6x15 | Bolt M6x15 |
| 9 | 1 | STM7612 | Adapterhuis cpl. (5+6+7+8) | Adaptor case cpl. (5+6+7+8) |
| 10 | 6 | STM7615 | Tapeind M10x45 | Stud M10x45 |
| 11 | 6 | STM2022 | Gegolfde veerring M10 | Vave spring washer M10 |
| 12 | 6 | STM4018 | Moer M10 | Nut M10 |
| 13 | 6 | STM1651 | Bout M8x35 | Bolt M8x35 |
| 14 | 6 | STM1019 | Gegolfde veerring M8 | Wave spring washer M8 |
| 15 | 1 | STM7614 | Aanbouwset cpl. | Adaptor kit cpl. |
| 16 | 1 | STM4054 | Demperplaat DIN splines Z=10 | Damper plate DIN splines Z=10 |
| 17 | 6 | STM1056 | Veerring M8 | Spring washer M8 |
| 18 | 6 | STM4055 | Bout M8x1,25x16 | Bolt M8x1.25x16 |

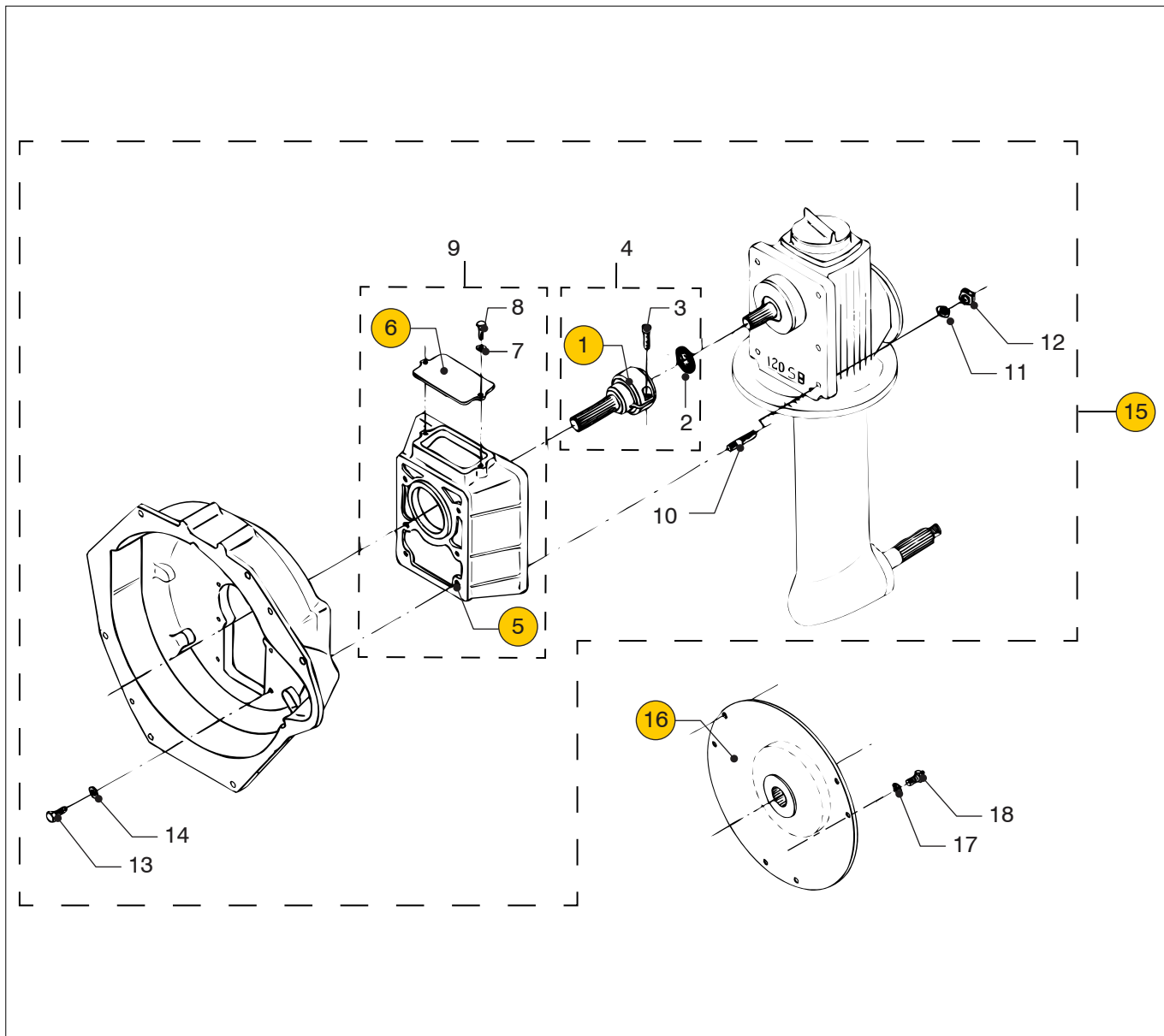


M4.15 **M4.17**
M4.35 **M4.45**

Verloopset saildrive 120S

Adaptor kit saildrive 120S

| pos. | qty | part | benaming | description |
|------|-----|---------|------------------------------|-------------------------------|
| 1 | 1 | STM7606 | Koppeling | Coupling |
| 2 | 1 | STM7608 | O-ring | O-ring |
| 3 | 2 | STM8332 | Inbusbout M8x30 | Allen screw M8x30 |
| 4 | 1 | STM7616 | Koppeling compleet (1+2+3) | Coupling cpl. (1+2+3) |
| 5 | 1 | STM7601 | Adapterhuis | Adaptor case |
| 6 | 1 | STM7603 | Deksel | Cover |
| 7 | 2 | STM1025 | Gegolfde veerring M6 | Wave spring washer M6 |
| 8 | 2 | STM1024 | Bout M6x15 | Bolt M6x15 |
| 9 | 1 | STM7612 | Adapterhuis cpl. (5+6+7+8) | Adaptor case cpl. (5+6+7+8) |
| 10 | 6 | STM7620 | Tapeind M10x20 | Stud M10x20 |
| 11 | 1 | STM7604 | Adapterflens | Adaptor flange |
| 12 | 2 | STM2507 | Paspen ø8x12 | Pin ø8x12 |
| 13 | 6 | STM2022 | Gegolfde veerring M10 | Wave spring washer M10 |
| 14 | 6 | STM4018 | Moer M10 | Nut M10 |
| 15 | 6 | STM8391 | Bout M10x25 (sw16) | Bolt M10x25 |
| 16 | 6 | STM1651 | Bout M8x35 | Bolt M8x35 |
| 17 | 6 | STM1019 | Gegolfde veerring M8 | Wave spring washer M8 |
| 18 | 1 | STM7621 | Aanbouwset cpl. | Adator kit cpl. |
| 19 | 1 | STM4054 | Demperplaat DIN splines Z=10 | Damper plate DIN splines Z=10 |
| 20 | 6 | STM1056 | Veerring M8 | Spring washer M8 |
| 21 | 6 | STM4055 | Bout M8x1,25x16 | Bolt M8x1.25x16 |

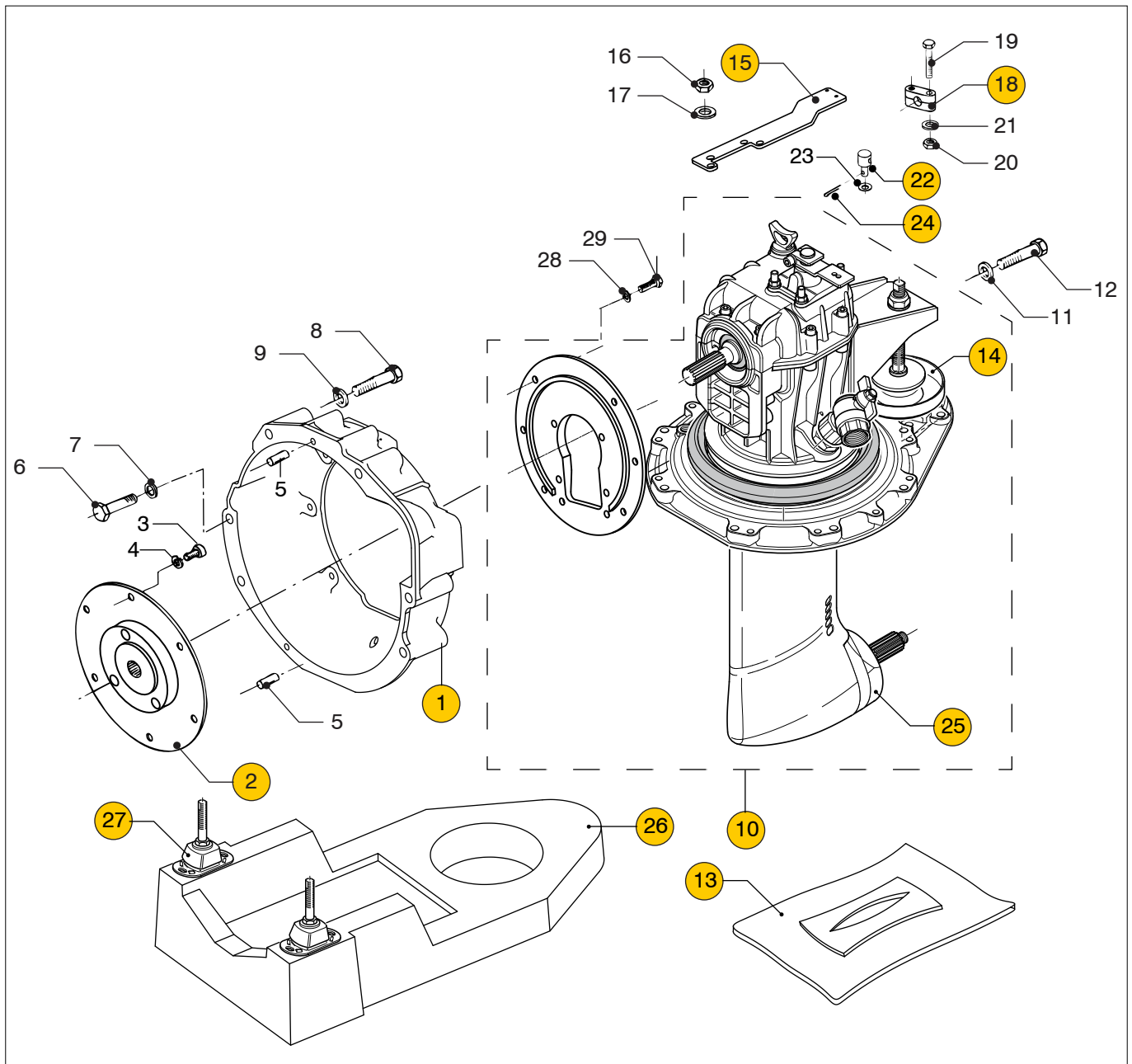


M4.15 **M4.17**
M4.35 **M4.45**

Verloopset saildrive 120SB

Adaptor kit saildrive 120SB

| pos. | qty | part | benaming | description |
|------|-----|---------|------------------------------|-------------------------------|
| 1 | 1 | STM7606 | Koppeling | Coupling |
| 2 | 1 | STM7608 | O-ring | O-ring |
| 3 | 2 | STM8332 | Inbusbout M8x30 | Allen screw M8x30 |
| 4 | 1 | STM7616 | Koppeling compleet (1+2+3) | Coupling cpl. (1+2+3) |
| 5 | 1 | STM7602 | Adapterhuis | Adaptor case |
| 6 | 1 | STM7603 | Deksel | Cover |
| 7 | 2 | STM1025 | Gegolfde veerring M6 | Wave spring washer M6 |
| 8 | 2 | STM1024 | Bout M6x15 | Bolt M6x15 |
| 9 | 1 | STM7617 | Adapterhuis cpl. (5+6+7+8) | Adaptor case cpl. (5+6+7+8) |
| 10 | 6 | STM7618 | Tapeind M10x35 | Stud M10x35 |
| 11 | 6 | STM2022 | Gegolfde veerring M10 | Wave spring washer M10 |
| 12 | 6 | STM4018 | Moer M10 | Nut M10 |
| 13 | 6 | STM1651 | Bout M8x35 | Bolt M8x35 |
| 14 | 6 | STM1019 | Gegolfde veerring M8 | Wave spring washer M8 |
| 15 | 1 | STM7619 | Aanbouwset cpl. | Adaptor kit cpl. |
| 16 | 1 | STM4054 | Demperplaat DIN splines Z=10 | Damper plate DIN splines Z=10 |
| 17 | 6 | STM1056 | Veerring M8 | Spring washer M8 |
| 18 | 6 | STM4055 | Bout M8x1,25x16 | Bolt M8x1.25x16 |



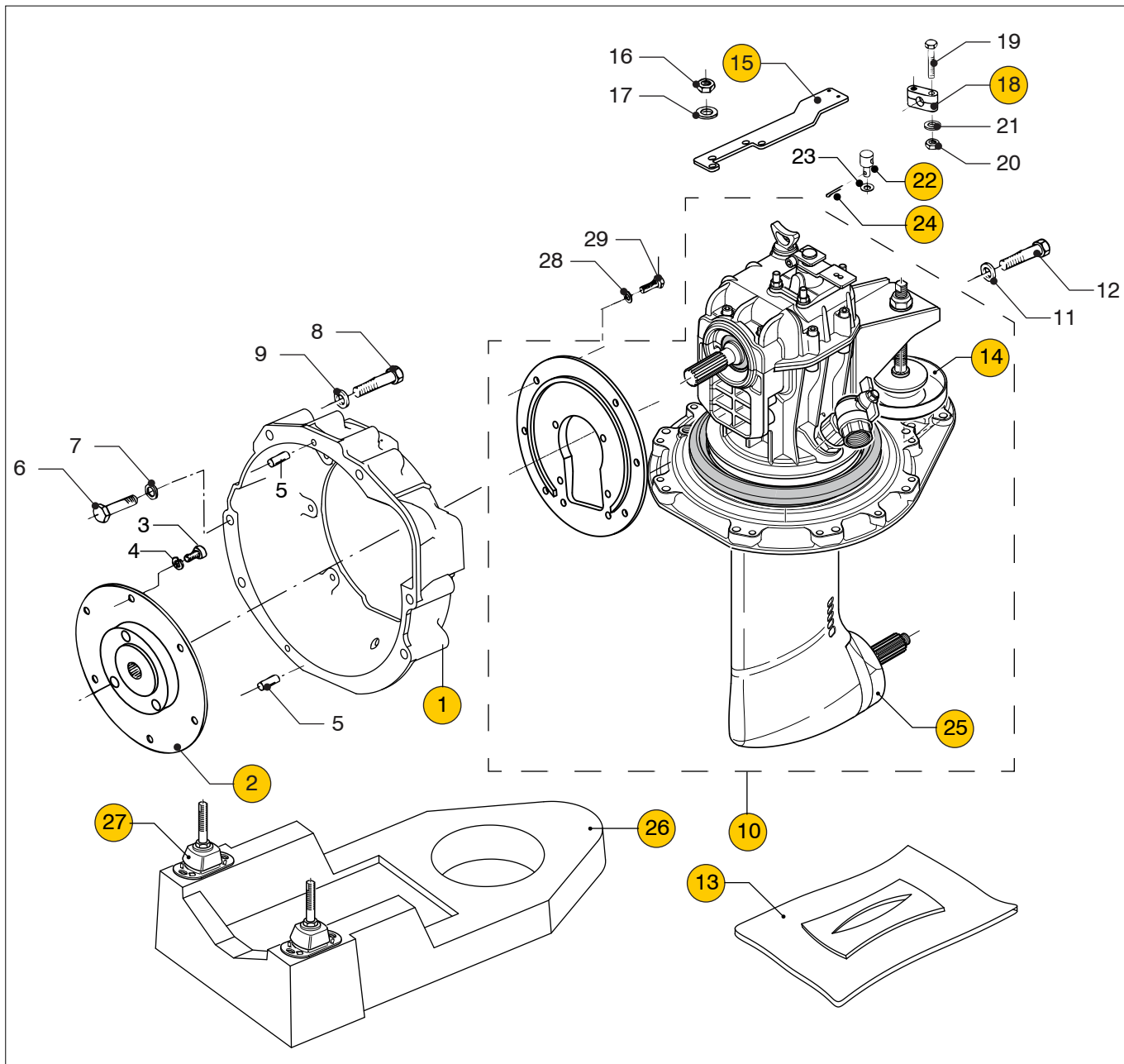
M4.15

M4.17

Saildrive ZF SD10

Saildrive ZF SD10

| pos. | qty | part | benaming | description |
|------|-----|---------|------------------------------|---------------------------------|
| 1 | 1 | STM7567 | Vliegwielhuis SAE 7 ø 209,55 | Flywheel housing SAE 7 ø 209,55 |
| 2 | 1 | STM4054 | Demperplaat DIN5464 Z=10 | Damperplate DIN5464 Z=10 |
| 3 | 6 | STM4055 | Bout M8x1,25x16 | Bolt M8x1.25x16 |
| 4 | 6 | STM1056 | Veerring M8 | Spring washer M8 |
| 5 | 2 | STM3813 | Paspen 10x12 ISO 2338 | Pin 10x12 ISO 2338 |
| 6 | 1 | STM7053 | Bout M12x1,25x30 | Bolt M12x1.25x30 |
| 7 | 1 | STM4003 | Veerring M12 | Spring washer M12 |
| 8 | 4 | STM7053 | Bout M12x1,25x30 | Bolt M12x1.25x30 |
| 9 | 4 | STM4056 | Gegolfde veerring M12 | Wave spring washer M12 |
| 10 | 1 | STM5800 | ZF saildrive SD10 2,23R | ZF saildrive SD10 2.23R |
| | 1 | STM5801 | ZF saildrive SD10 2,49R | ZF saildrive SD10 2.49R |
| 11 | 6 | STM4061 | Gegolfde veerring M10 | Wave spring washer M10 |
| 12 | 6 | STM5017 | Bout 7/16"UNCx30 | Bolt 7/16"UNCx30 |
| 13 | 1 | STM9317 | Rubber afdichting | Gummi seal |
| 14 | 1 | STM9318 | Demper | Damper |
| 15 | 1 | STM1851 | Steun | Support |



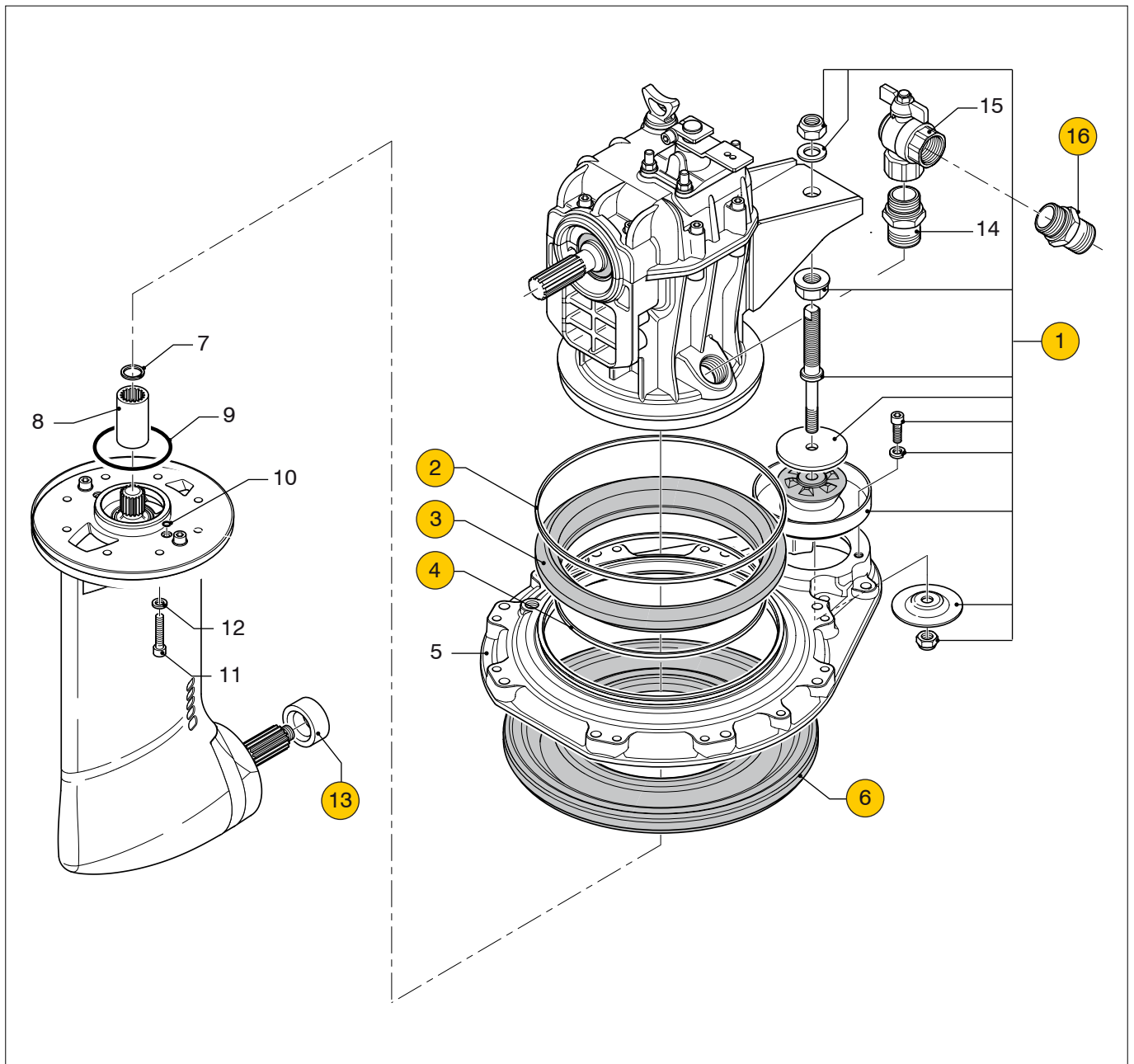
M4.15

M4.17

Saildrive ZF SD10

Saildrive ZF SD10

| pos. | qty | part | benaming | description |
|------|-----|------------|-----------------------|--------------------------|
| 16 | 2 | STM2005 | Moer M8 | Nut M8 |
| 17 | 2 | STM1056 | Veerring M8 | Spring washer M8 |
| 18 | 1 | STM1703 | Kabelklem | Cable clamp |
| 19 | 2 | STM1704 | Bout M5x25 | Bolt M5x25 |
| 20 | 2 | STM1705 | Moer M5 | Nut M5 |
| 21 | 2 | STM1707 | Ring | Washer |
| 22 | 1 | STM1806 | Nippel | Nipple |
| 23 | 2 | STM1807 | Ring | Ring |
| 24 | 1 | STM1808 | Splitpen 2x25 | Split pin 2x25 |
| 25 | 1 | STM9352 | Zinkanode | Zinc anode |
| 26 | 1 | STM9320 | Fundatie | Engine bed |
| 27 | 2 | KSTEUN100V | Trillingdemper | Flexible engine mounting |
| 28 | 6 | STM4003 | Gegolfde veerring M10 | Wave spring washer M10 |
| 29 | 6 | STM9003 | Bout M10 x 1,5 x 25 | Bolt M10 x 1.5 x 25 |



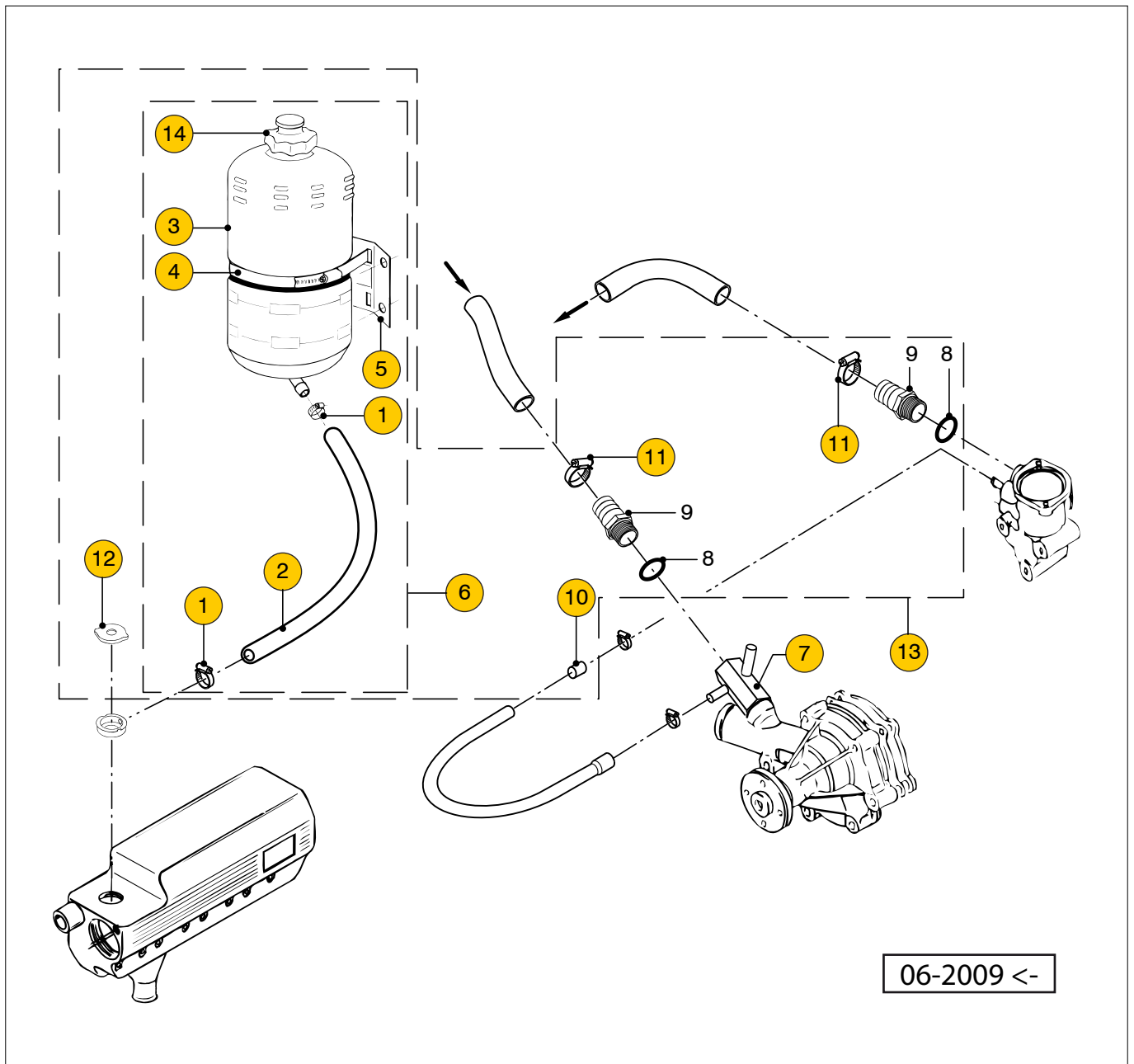
M4.15

M4.17

Saildrive ZF SD10

Saildrive ZF SD10

| pos. | qty | part | benaming | description |
|------|-----|---------|--------------------|----------------------|
| 1 | 1 | STM9318 | Demper | Demper |
| 2 | 1 | STM9322 | Borg ring | Snap ring |
| 3 | 1 | STM9323 | Pakking | Gasket |
| 4 | 1 | STM9324 | Borg ring | Snap ring |
| 5 | 1 | STM9325 | Bevestigingsplaat | Clamping ring |
| 6 | 1 | STM9326 | Pakking | Gasket |
| 7 | 1 | STM9327 | Geleidering | Retainer ring |
| 8 | 1 | STM9328 | Bus | Sleeve |
| 9 | 1 | STM9329 | O-ring | O-ring |
| 10 | 1 | STM9330 | O-ring | O-ring |
| 11 | 1 | STM9333 | Inbusbout M8x40 | Screw T.C.E.I. M8x40 |
| 12 | 1 | STM9334 | Ring | Washer |
| 13 | 1 | STM9335 | Bus | Spacer |
| 14 | 1 | STM9336 | Nipple G1-G1 | Nipple G1-G1 |
| 15 | 1 | STM9337 | Afsluiter recht G1 | Stop-valve G1 |
| 16 | 1 | STM9338 | Slangpilaar G1-19 | Hose pillar G1-19 |

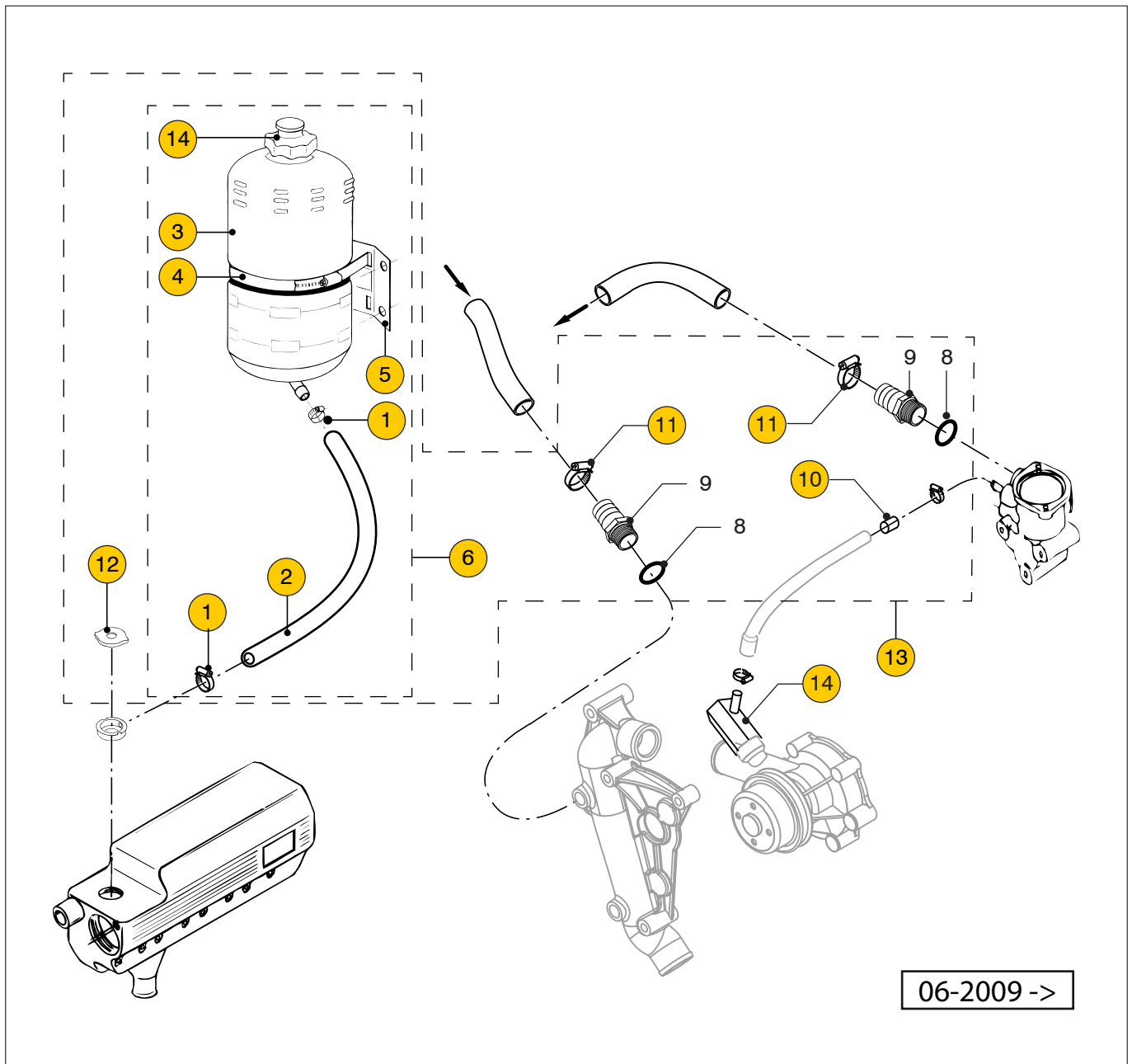


06-2009 <-

M4.15 M4.17 Boileraansluiting, interkoeling, 06-2009 <-

Calorifier connection, intercooling, 06-2009 <-

| pos. | qty | part | benaming | description |
|------|-----|----------|-------------------------------------|----------------------------------|
| 1 | 2 | HCS08 | Klem | Clamp |
| 2 | 1 | STM9504 | Slang | Hose |
| 3 | 1 | EXPT1,5U | Expansie tank | Headertank |
| 4 | 1 | STM9503 | Slangklem 140-180 | Hose clamp 140-180 |
| 5 | 1 | STM9502 | Bevestigingsbeugel | Support |
| 6 | 1 | EXPT1,5U | Expansietank compleet (1 t/m 5 + 7) | Headertank compl. (1 till 5 + 7) |
| 7 | 1 | STM7845 | Nippel | Nipple |
| 8 | 2 | 08-00136 | Afdichtring | Seal washer |
| 9 | 2 | STM3736 | Slangpilaar G3/8 - 16 | Hose pillar G3/8 - 16 |
| 10 | 1 | STM2507 | Prop ø 8 | Plug ø 8 |
| 11 | 2 | STM2012 | Slangklem 19-28 | Hose clamp 19-28 |
| 12 | 1 | SETDOPM | Vuldop (Do not open) | Filler cap (Do not open) |
| 13 | 1 | STM7683 | Boilerset (motor gedeelte) | Calorifier set (engine part) |
| 14 | 1 | 08-01141 | Drukdop | Pressure cap |



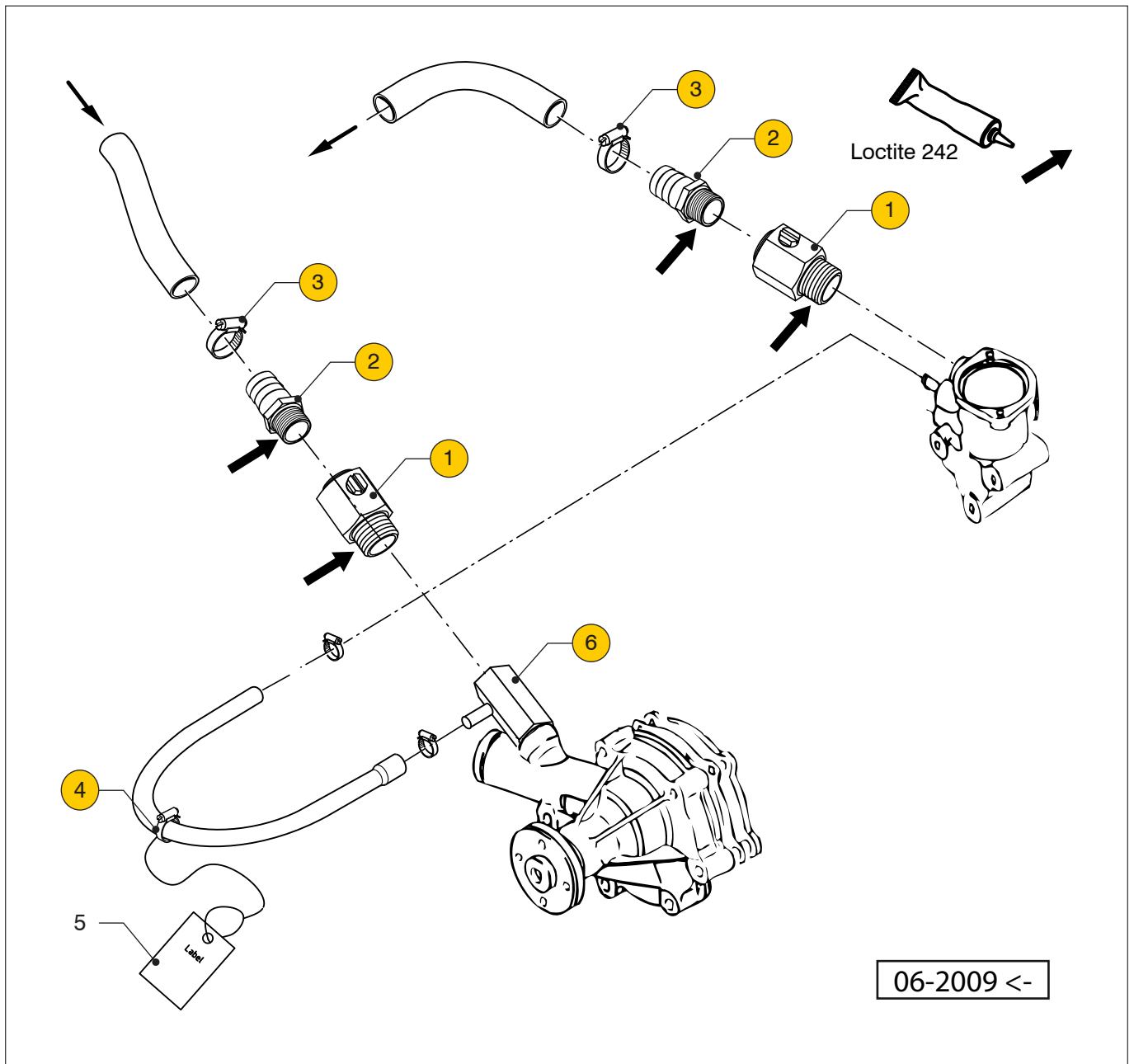
06-2009 ->

M4.15 **M4.17**
M4.35 **M4.45**

Boileraansluiting, interkoeling, 06-2009 ->

Calorifier connection, intercooling, 06-2009->

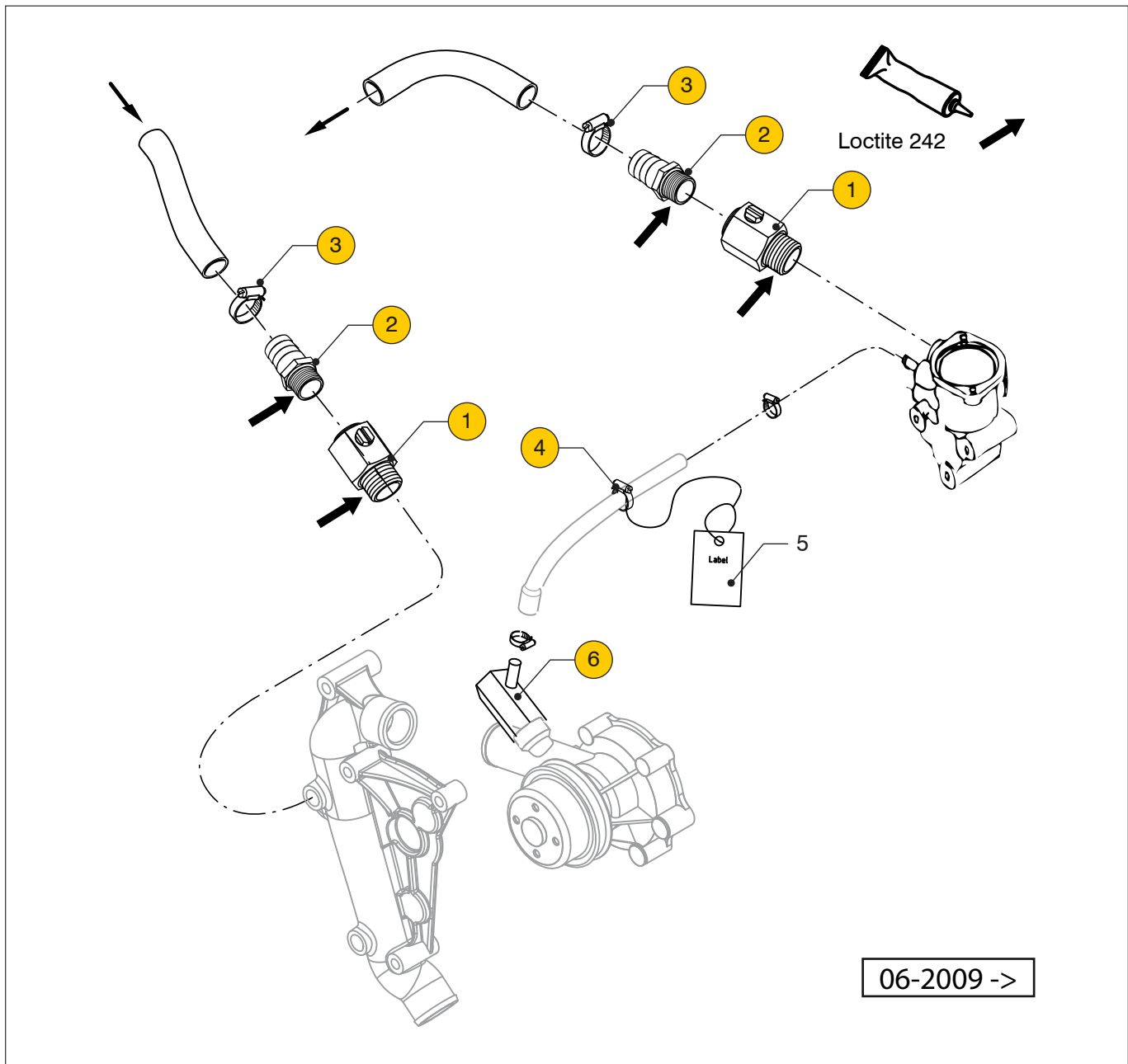
| pos. | qty | part | benaming | description |
|------|-----|----------|-------------------------------------|----------------------------------|
| 1 | 2 | HCS08 | Klem | Clamp |
| 2 | 1 | STM9504 | Slang | Hose |
| 3 | 1 | EXPT1.5U | Expansie tank | Headertank |
| 4 | 1 | STM9503 | Slangklem 140-180 | Hose clamp 140-180 |
| 5 | 1 | STM9502 | Bevestigingsbeugel | Support |
| 6 | 1 | EXPT1.5U | Expansietank compleet (1 t/m 5 + 7) | Headertank compl. (1 till 5 + 7) |
| 7 | 1 | 08-01141 | Drukcap | Pressure cap |
| 8 | 2 | 08-00136 | Afdichtring | Seal washer |
| 9 | 2 | STM3736 | Slangpilaar G3/8 - 16 | Hose pillar G3/8 - 16 |
| 10 | 1 | STM2507 | Prop ø 8 | Plug ø 8 |
| 11 | 2 | STM2012 | Slangklem 19-28 | Hose clamp 19-28 |
| 12 | 1 | SETDOPM | Vuldop (Do not open) | Filler cap (Do not open) |
| 13 | 1 | STM7683 | Boilerset (motor gedeelte) | Calorifier set (engine part) |
| 14 | 1 | STM9441 | Nippel | Nipple |



M4.15 M4.17 Boileraansluiting, kielkoeling, , 06-2009 <-

Calorifier connection, keelcooling, 06-2009 <-

| pos. | qty | part | benaming | description |
|------|-----|----------|-------------------------------|-------------------------------|
| 1 | 2 | STM9443 | Mini kogelkraan G 3/8 - G 3/8 | Mini ball valve R 3/8 - R 3/8 |
| 2 | 2 | SLP3/815 | Slangpilaar G3/8 - 16 | Hose pillar G3/8 - 16 |
| 3 | 2 | STM2012 | Slangklem 19-28 | Hose clamp 19-28 |
| 4 | 1 | HCS08 | Slangklem 8-16 | Hose clamp 8-16 |
| 5 | 1 | STM9446 | Label 'Boiler' | Label 'Calorifier' |
| 6 | 1 | STM7845 | Nippel | Nipple |



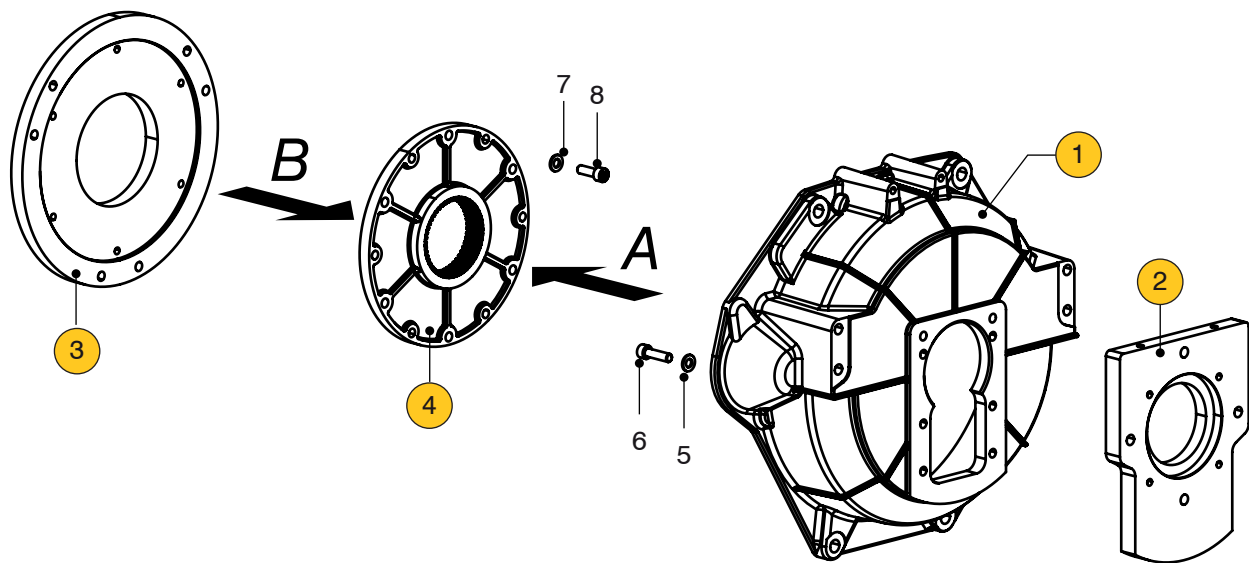
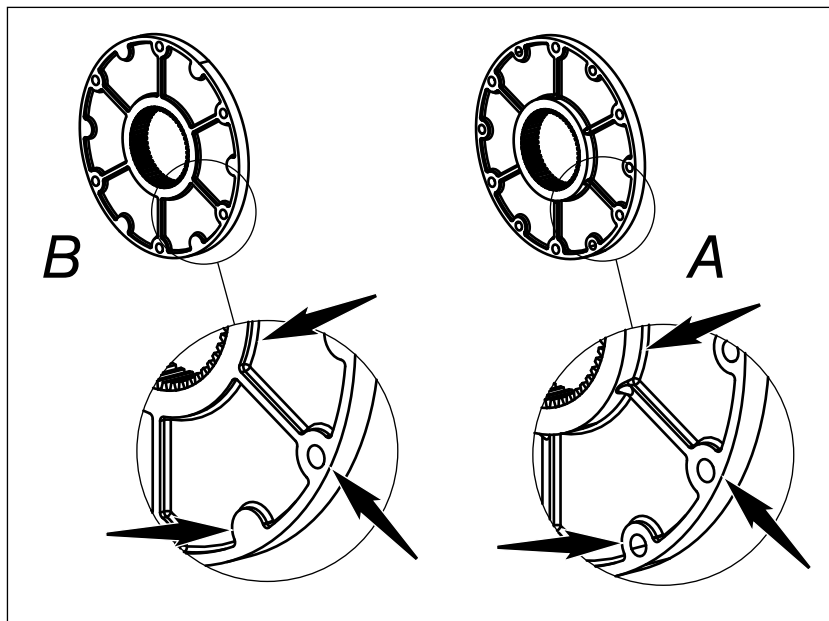
06-2009 ->

M4.15 M4.17
M4.35 M4.45

Boileraansluiting, kielkoeling, 06-2009 ->

Calorifier connection, keelcooling, 06-2009 ->

| pos. | qty | part | benaming | description |
|------|-----|----------|-------------------------------|-------------------------------|
| 1 | 2 | STM9443 | Mini kogelkraan G 3/8 - G 3/8 | Mini ball valve R 3/8 - R 3/8 |
| 2 | 2 | SLP3/815 | Slangpilaar G3/8 - 16 | Hose pillar G3/8 - 16 |
| 3 | 2 | STM2012 | Slangklem 19-28 | Hose clamp 19-28 |
| 4 | 1 | HCS08 | Slangklem 8-16 | Hose clamp 8-16 |
| 5 | 1 | STM9446 | Label 'Boiler' | Label 'Calorifier' |
| 6 | 1 | SLP3/815 | Nippel | Nipple |

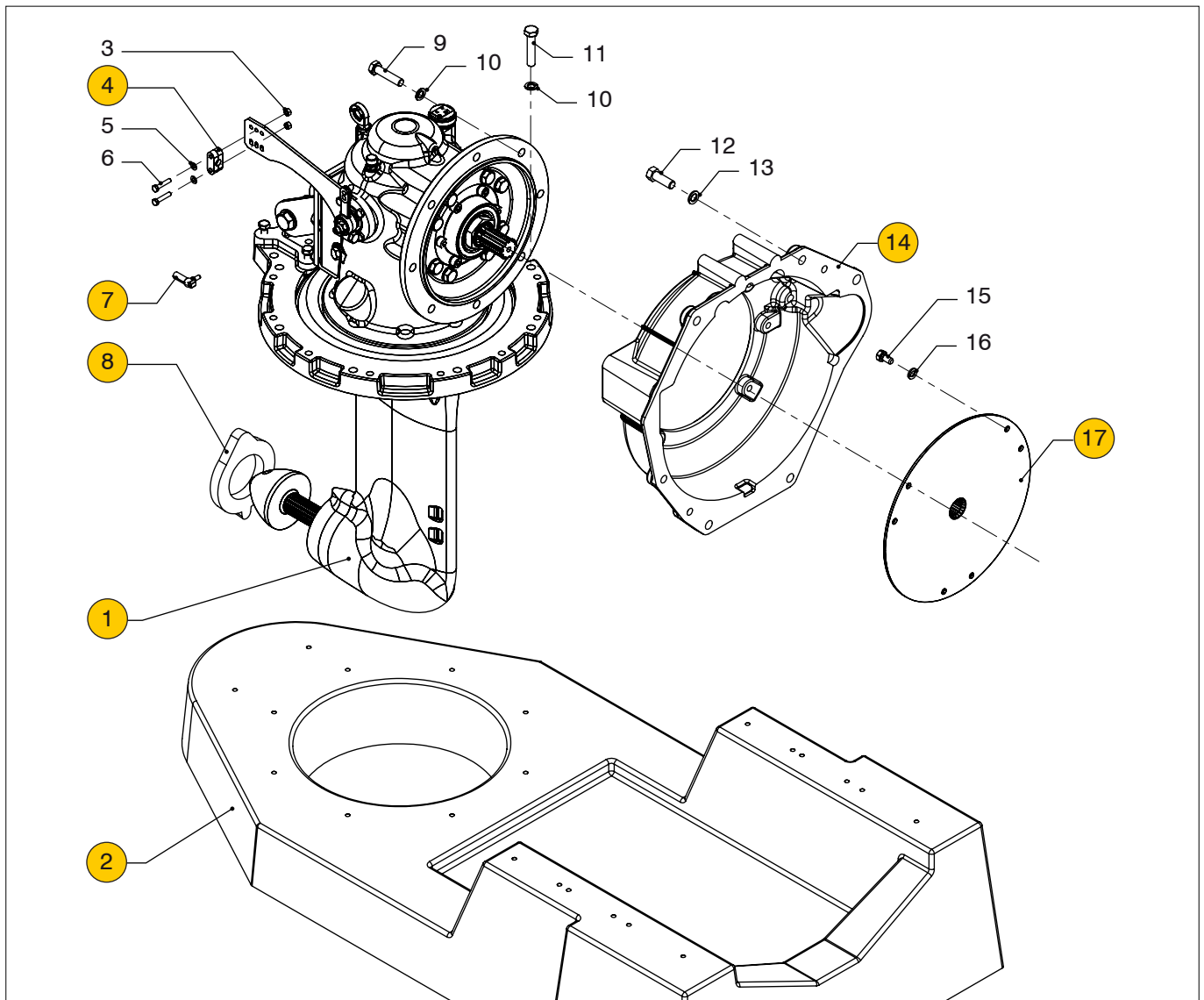


M4.15 **M4.17**
M4.35 **M4.45**

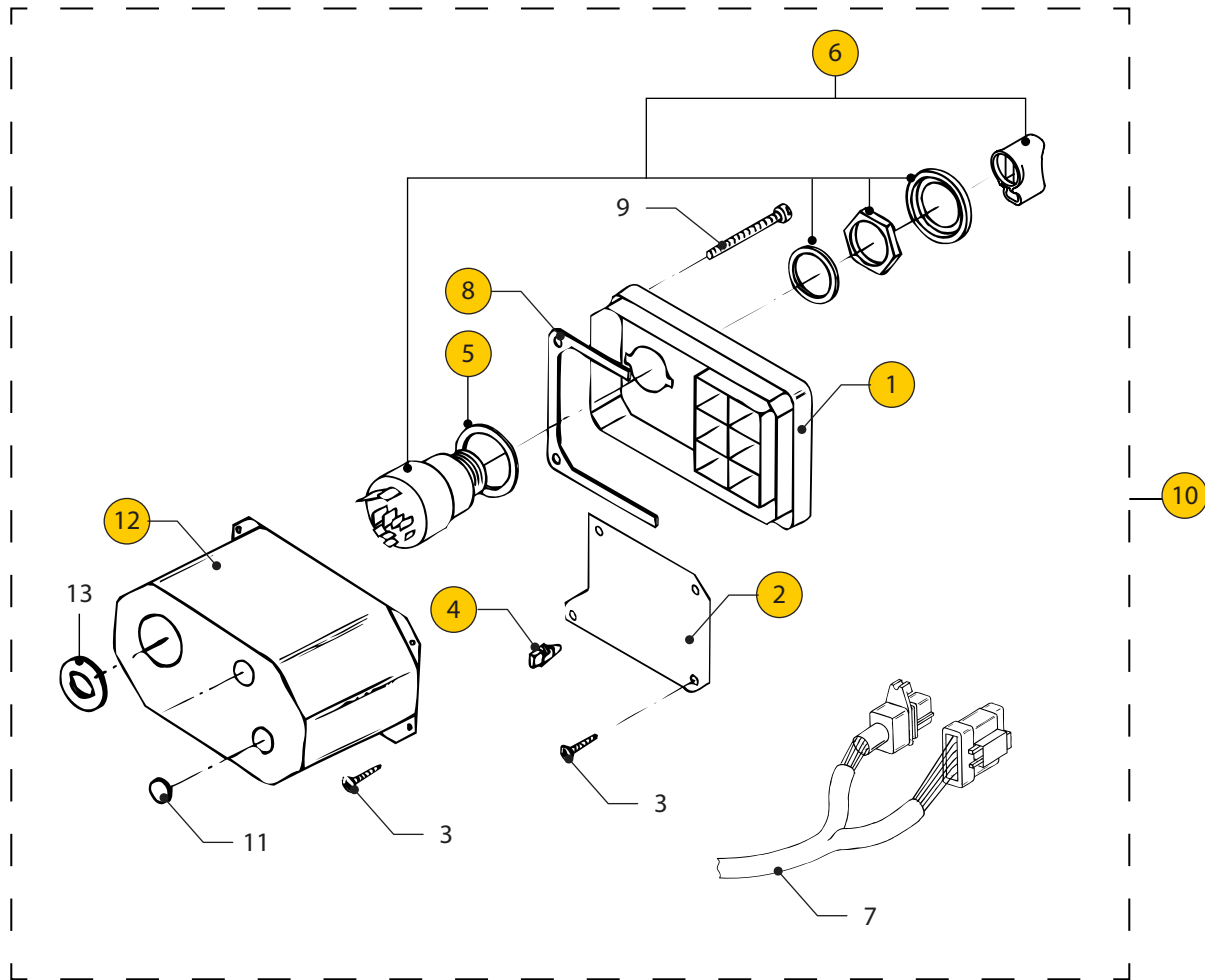
Aanbouwdelen hydraulische aandrijving

Adapter parts for hydraulic propulsion

| pos. | qty | part | benaming | description |
|------|-----|---------|--|---------------------------------|
| 1 | 1 | STM7566 | Vliegwielhuis ø 85 | Flywheel housing ø 85 |
| 2 | 1 | STM9458 | Flens t.b.v. hydraulische voortstuwing | Flange for hydraulic propulsion |
| 3 | 1 | HT5151 | Vliegwielverzwaring | Flywheel ring |
| 4 | 1 | HT5148 | Flens | Flange |
| 5 | 4 | STM1056 | Veerring M8 | Spring washer M8 |
| 6 | 4 | STM8332 | Inbusbout M8 x 30 | Allen screw M8 x 30 |
| 7 | 6 | STM1056 | Veerring M8 | Spring washer M8 |
| 8 | 6 | STM6299 | Inbusbout met lage kop M8 x 20 | Allen screw M8 x 20 |



| | M4.15 M4.35 | M4.17 M4.45 | Saildrive SP60 | Saildrive SP60 |
|------|----------------|----------------|------------------------------|---------------------------------|
| pos. | qty | part | benaming | description |
| ① | 1 | STM6000 | Saildrive 2.23 | Saildrive 2.23 |
| | 1 | STM6001 | Saildrive 2.49 | Saildrive 2.49 |
| ② | 1 | STM9320 | Fundatie | Engine bed |
| 3 | 2 | STM1705 | Moer M5 | Nut M5 |
| ④ | 1 | STM1703 | Kabelklem | Cable clamp |
| 5 | 2 | STM1707 | Ring | Washer |
| 6 | 2 | STM1704 | Bout M5x25 | Bolt M5x25 |
| ⑦ | 1 | KOGELGEWR | Kogelgewricht | Ball joint |
| ⑧ | 1 | STM6032 | Zinkanode | Zinc anode |
| 9 | 7 | CT20078 | Bout M10 x 1,5 x 45 | Bolt M10 x 1.5 x 45 |
| 10 | 15 | STM4003 | Gegolfde veerring M10 | Wave spring washer M10 |
| 11 | 8 | STM6560 | Bout M10 x 1,5 x 50 | Bolt M10 x 1.5 x 50 |
| 12 | 4 | STM7053 | Bout M12x1,25x30 | Bolt M12x1.25x30 |
| 13 | 4 | STM4056 | Gegolfde veerring M12 | Wave spring washer M12 |
| ⑭ | 1 | STM7567 | Vliegwielhuis SAE 7 ø 209,55 | Flywheel housing SAE 7 ø 209,55 |
| 15 | 6 | STM4055 | Bout M8x1.25x16 | Bolt M8x1.25x17 |
| 16 | 6 | STM1056 | Veerring M8 | Spring washer M8 |
| ⑰ | 1 | STM6005 | Demperplaat M4 | Damperplate M4 |

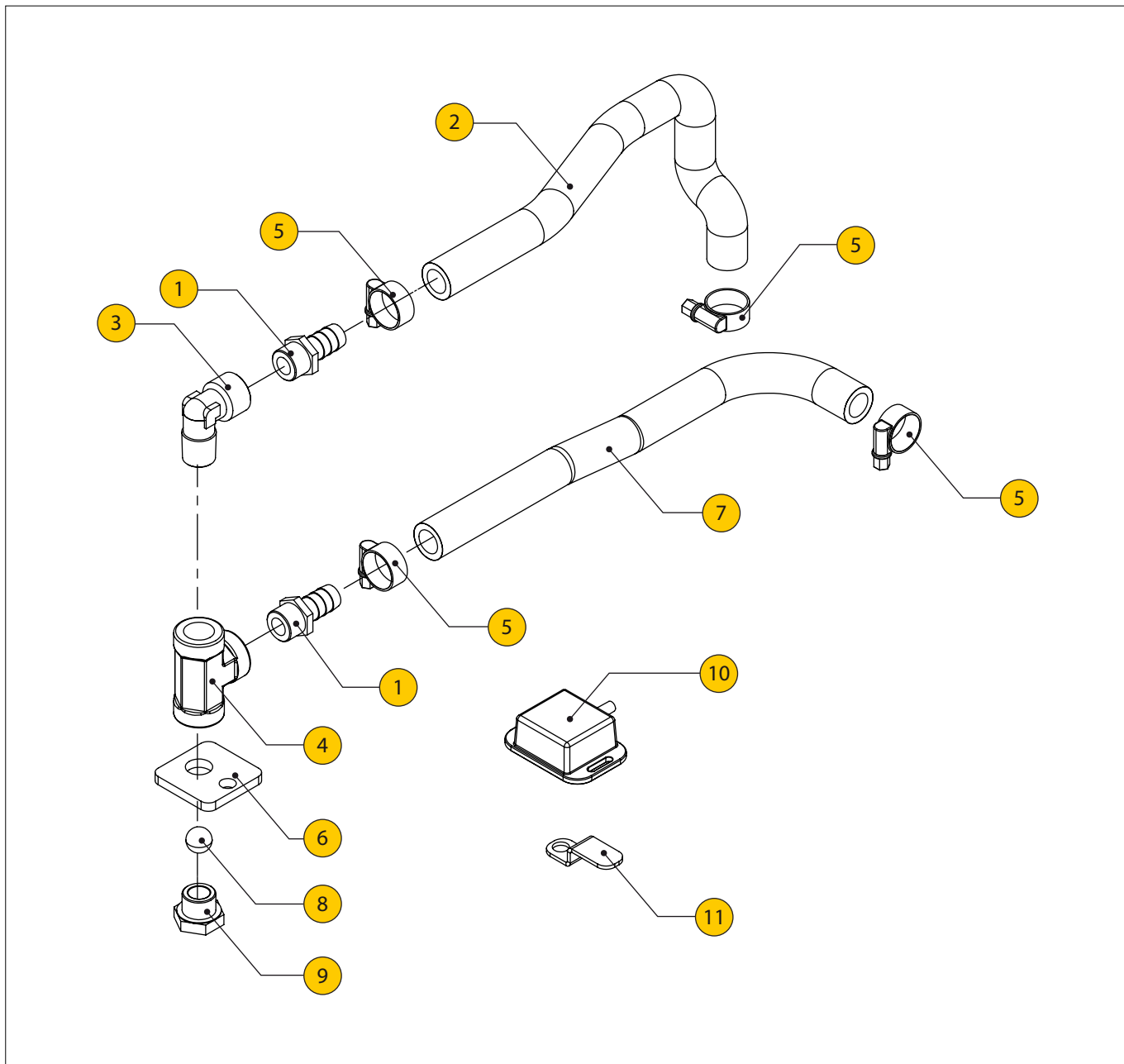


**M4.15 SOLAS
M4.17 SOLAS**

Instrumenten paneel MP10

Instrument panel MP10

| pos. | qty | part | benaming | description |
|------|-----|-----------|-------------------|------------------|
| 1 | 1 | STM9065 | Paneel | Panel |
| 2 | 1 | STM9066 | Print cpl | Print cpl |
| 3 | 8 | P2295RKP | Plaatschroef | Screw |
| 4 | 6 | STM9169 | Gloeilamp | Bulb |
| 5 | 1 | STM9172 | Pakking | Gasket |
| 6 | 1 | 08-01145 | Startslot | Starter switch |
| 7 | 1 | STM6920 | Paneelbedrading | Panel wiring |
| 8 | 1 | STM9068 | Pakking | Gasket |
| 9 | 4 | P35254ZKP | Plaatschroef | Screw |
| 10 | 1 | 08-01146 | Instr.paneel cpl. | Instr.panel cpl. |
| 11 | 2 | STM7254 | Blindstop | Plug |
| 12 | 1 | STM9069 | Beschermkap | Protective cap |
| 13 | 1 | STM7222 | Doorvoertule | Grommet |

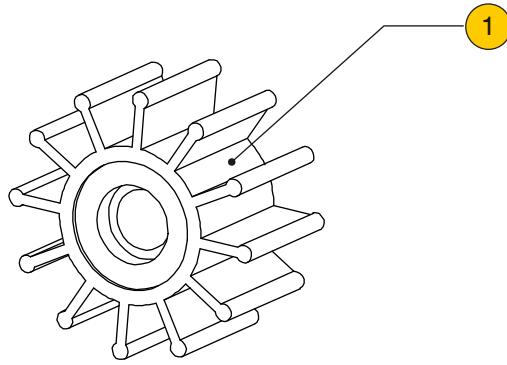


**M4.15 SOLAS
M4.17 SOLAS**

Tilt kit

Tilt kit

| pos. | qty | part | benaming | description |
|------|-----|----------|---------------------------|--------------------------------------|
| 1 | 2 | STM3057 | Slangpilaar G 3/8 - 13 mm | Hose pilar G 3/8 - 13 mm |
| 2 | 1 | 08-01117 | Slang carterontluchting | Hose oil breather |
| 3 | 1 | 08-01115 | Knie G 3/8 bi G 3/8 bu | Elbow 90 deg G 3/8 male G 3/8 female |
| 4 | 1 | 08-01116 | T-stuk G 3/8 bi | T-piece G 3/8 female |
| 5 | 4 | HCS12 | Slangklem (SLKL12) | Hose clamp (SLKL12) |
| 6 | 1 | 08-01110 | Montageplaatje kogelklep | Base plate ball valve |
| 7 | 1 | 08-01118 | Slang carterontluchting | Hose oil breather |
| 8 | 1 | 08-01111 | Kogel 13 mm RVS | Ball 13 mm SS |
| 9 | 1 | HS1026 | Blindstop G 3/8 kunststof | Plug G 3/8 plastic |
| 10 | 1 | 08-01113 | Tilt sensor | Tilt sensor |
| 11 | 1 | 08-01114 | Vuldop beveiliging | Filling cap clamp |

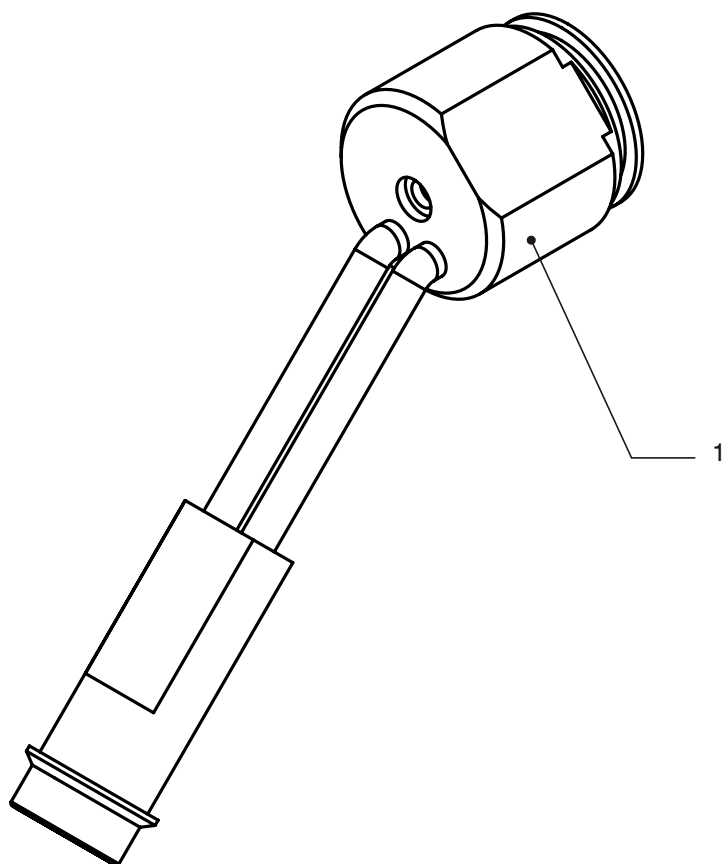


**M4.15 SOLAS
M4.17 SOLAS**

Impeller interkoeling

Impeller Intercooling

| pos. | qty | part | benaming | description |
|------|-----|----------|---------------------------------|----------------------------|
| 1 | 1 | 08-01353 | Impeller (Droogloop uitvoering) | Impeller (Run Dry version) |
| | | | | |
| | | | | |
| | | | | |
| | | | | |
| | | | | |
| | | | | |
| | | | | |
| | | | | |
| | | | | |
| | | | | |

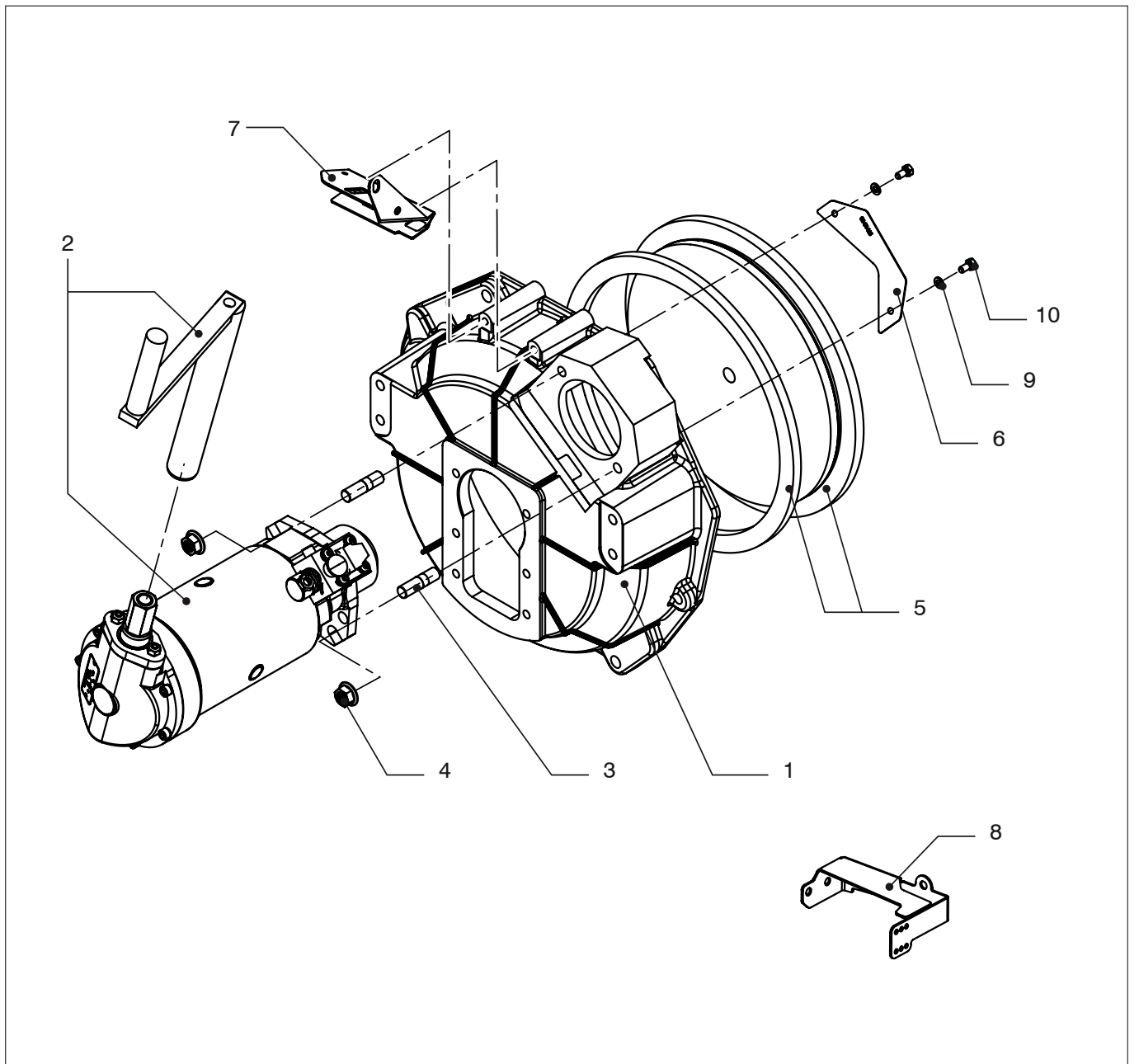


**M4.15 SOLAS
M4.17 SOLAS**

Motorverwarming

Engine heater

| pos. | qty | part | benaming | description |
|------|-----|---------|--------------------|----------------|
| 1 | 1 | 14-7579 | Verwarmingselement | Heater element |
| | | | | |
| | | | | |
| | | | | |
| | | | | |
| | | | | |
| | | | | |
| | | | | |
| | | | | |
| | | | | |

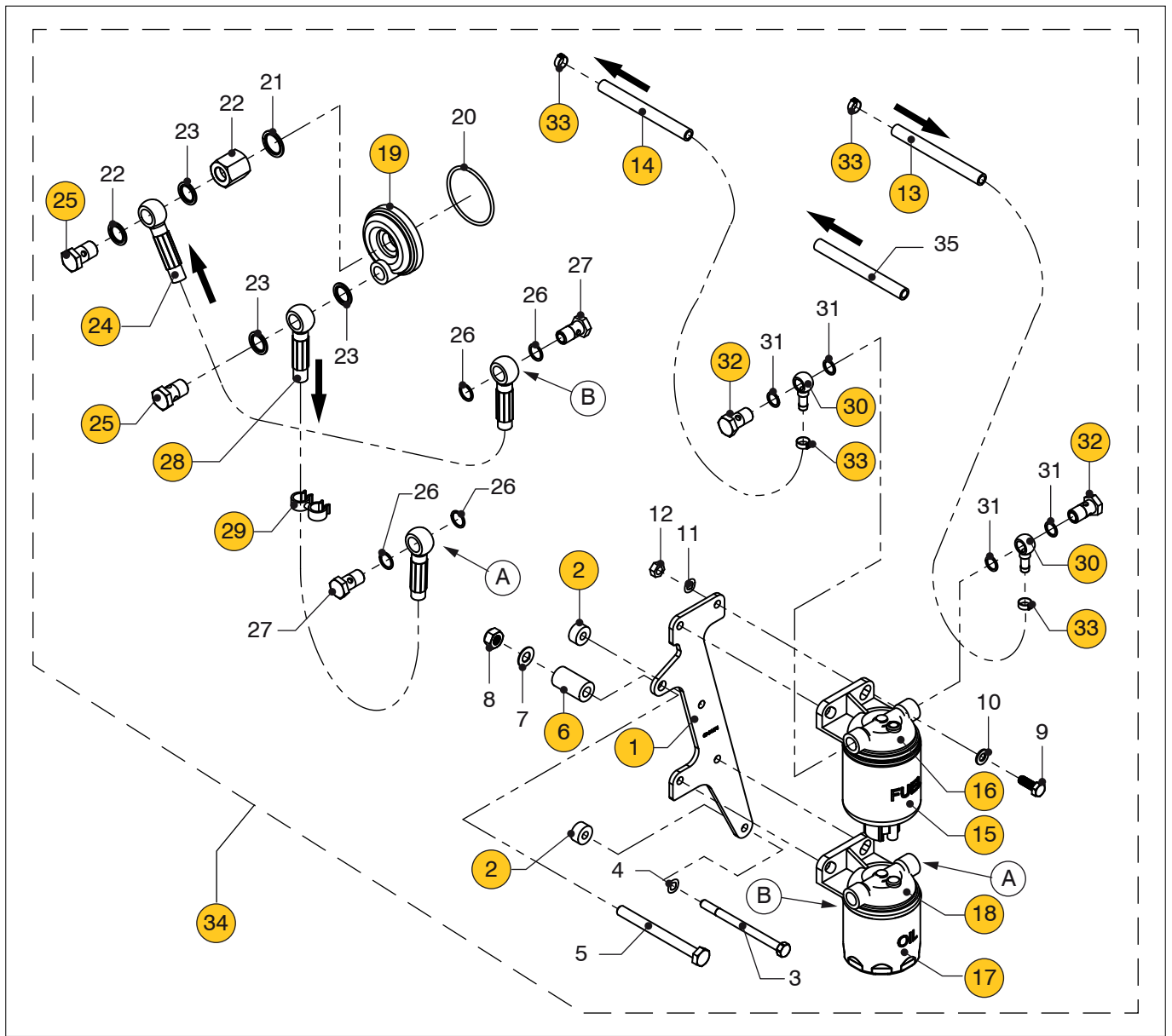


**M4.15 SOLAS
M4.17 SOLAS**

Veerstarter

Spring starter

| pos. | qty | part | benaming | description |
|------|-----|----------|-------------------------------|------------------------|
| 1 | 1 | 14-8210 | Vliegwielhuis | Flywheel housing |
| 2 | 1 | 13-5976 | Veerstarter | Spring starter |
| 3 | 2 | 14-7890 | Tapeind | Stud |
| 4 | 2 | 14-8480 | Flensmoer M12 | Flanged nut M12 |
| 5 | 1 | 14-9269 | Vliegwiel (14-7888 + STM7810) | Flywheel |
| 6 | 1 | 08-01465 | Afdekplaat | Cover plate |
| 7 | 1 | 08-01395 | Luchtfiltersteun | Air filter support |
| 8 | 1 | 08-01396 | Gaskabelsteun | Throttle cable support |
| 9 | 2 | STM1025 | Gegolfde veerring M6 | Wave spring washer M6 |
| 10 | 2 | STM1019 | Bout M6x12 | Bolt M6x12 |

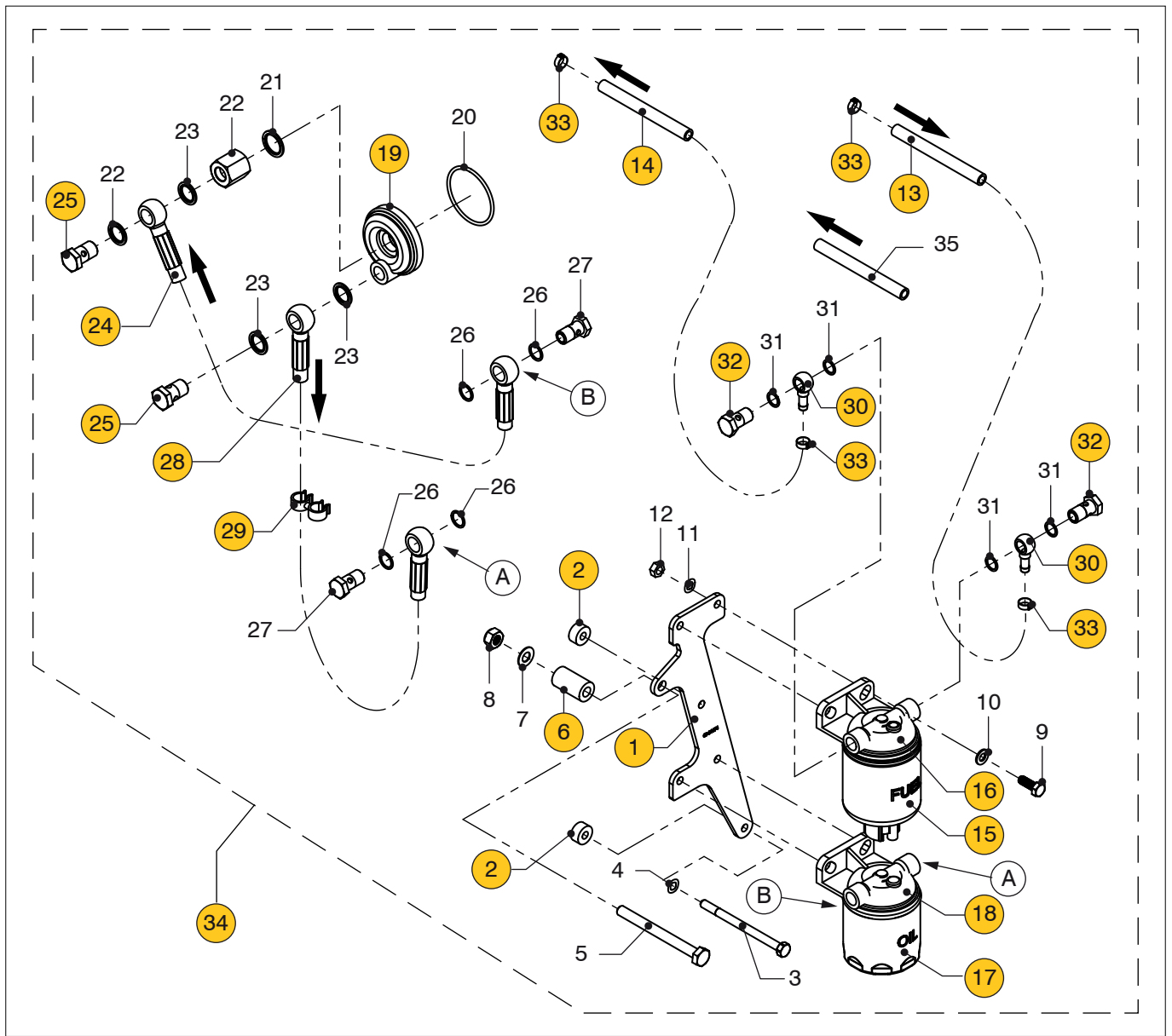


M4.15 M4.17
M4.35 M4.45

Separaat gemonteerd oliefilter + brandstof-
filter

Oil filter + fuel filter, separately installed

| pos. | qty | part | benaming | description |
|------|-----|----------|--|--|
| 1 | 1 | 08-01474 | Steun | Support |
| 2 | 2 | STM7646 | Bus l=10 | Bush l=10 |
| 3 | 2 | STM6121 | Bout M8x110 | Bolt M8x110 |
| 4 | 2 | STM1019 | Veerring M8 | Spring washer M8 |
| 5 | 1 | STM9674 | Bout M10x110 | Bolt M10x110 |
| 6 | 1 | 08-01476 | Bus l=38 | Bush l=38 |
| 7 | 1 | STM2022 | Gegolfde veerring M10 | Wave spring washer M10 |
| 8 | 1 | STM4018 | Moer M10 | Nut M10 |
| 9 | 4 | STM1610 | Bout M8x25 | Bout M8x25 |
| 10 | 4 | STM1653 | Ring 8mm | Washer 8mm |
| 11 | 4 | STM1056 | Veerring M8 | Spring washer M8 |
| 12 | 4 | STM2005 | Moer M8 | Nut M8 |
| 13 | 1 | 08-01480 | Slang Ø8 L= 630 mm opvoerpomp -> filter in | Hose Ø8 L= 630 mm supply pump -> filter in |
| 14 | 1 | 08-01481 | Slang Ø8 L= 255 mm filter => hoofdpomp) | Hose Ø8 L= 255 mm filter -> main pump |
| 15 | 1 | STM3690 | Brandstoffilter M16x1,5 | Fuel filter M16x1,5 |
| 16 | 1 | STM6049 | Brandstoffilterkop compleet | Filter head fuel cpl. |
| 17 | 1 | STM9316 | Motorolie filter M20x1,5 | Engine oil filter M20x1,5 |
| 18 | 1 | STM9905 | Motoroliefilterkop compleet | Filter head engine oil filter cpl. |



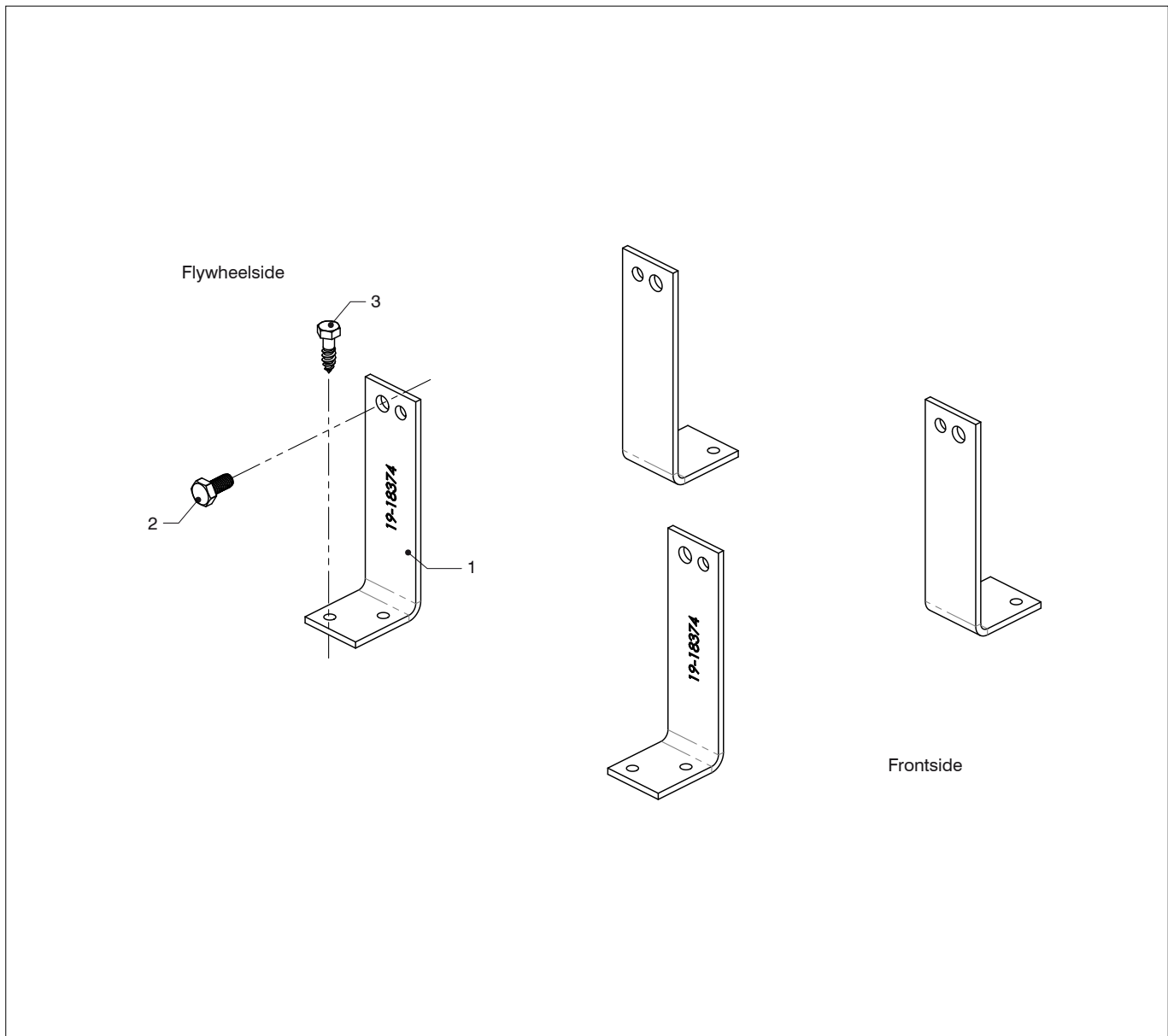
M4.15
M4.35

M4.17
M4.45

**Separaat gemonteerd oliefilter + brandstof-
filter**

Oil filter + fuel filter, separately installed

| pos. | qty | part | benaming | description |
|------|-----|----------|--|---|
| 19 | 1 | STM9911 | Adapter | Adaptor |
| 20 | 1 | STM9912 | O-ring 58x3 | O-ring 58x3 |
| 21 | 1 | STM9908 | Afdichtring 20mm | Seal washer 20mm |
| 22 | 1 | 08-01404 | Moer M16 -> M20 | Nut M16 -> 20 |
| 23 | 4 | STM9907 | Afdichtring 16mm | Seal washer M |
| 24 | 1 | 08-01478 | Slang l=450 filter uit -> adapter in | Hose l=450 filter out -> adaptor in |
| 25 | 2 | STM8214 | Banjo bout M16x1,5 | Banjo bolt M16x1,5 |
| 26 | 4 | STM1062 | Afdichtring 14mm | Seal washer 14mm |
| 27 | 2 | STM3518 | Banjo bout M14x1,5 | Banjo bolt M14x1,5 |
| 28 | 1 | 08-01477 | Slang l=570 adapter uit -> filter in | Hose l=570 adaptor out -> filter in |
| 29 | 3 | VD60090 | Klem | Clamp |
| 30 | 2 | STM9262 | Banjo-oog | Banjo eye |
| 31 | 4 | STM7056 | Afdichtring M12 | Seal washer M12 |
| 32 | 2 | STM8057 | Banjo bout M12x1 | Banjo bolt M12x1 |
| 33 | 4 | STM6185 | Klem | Clamp |
| 34 | 1 | 08-01479 | Set compleet | Kit cpl. |
| 35 | 1 | 08-01489 | Slang Ø5 L= 450 mm hoofdpomp -> retournippel | Hose Ø5 L= 450 mm main pump -> return conn. |



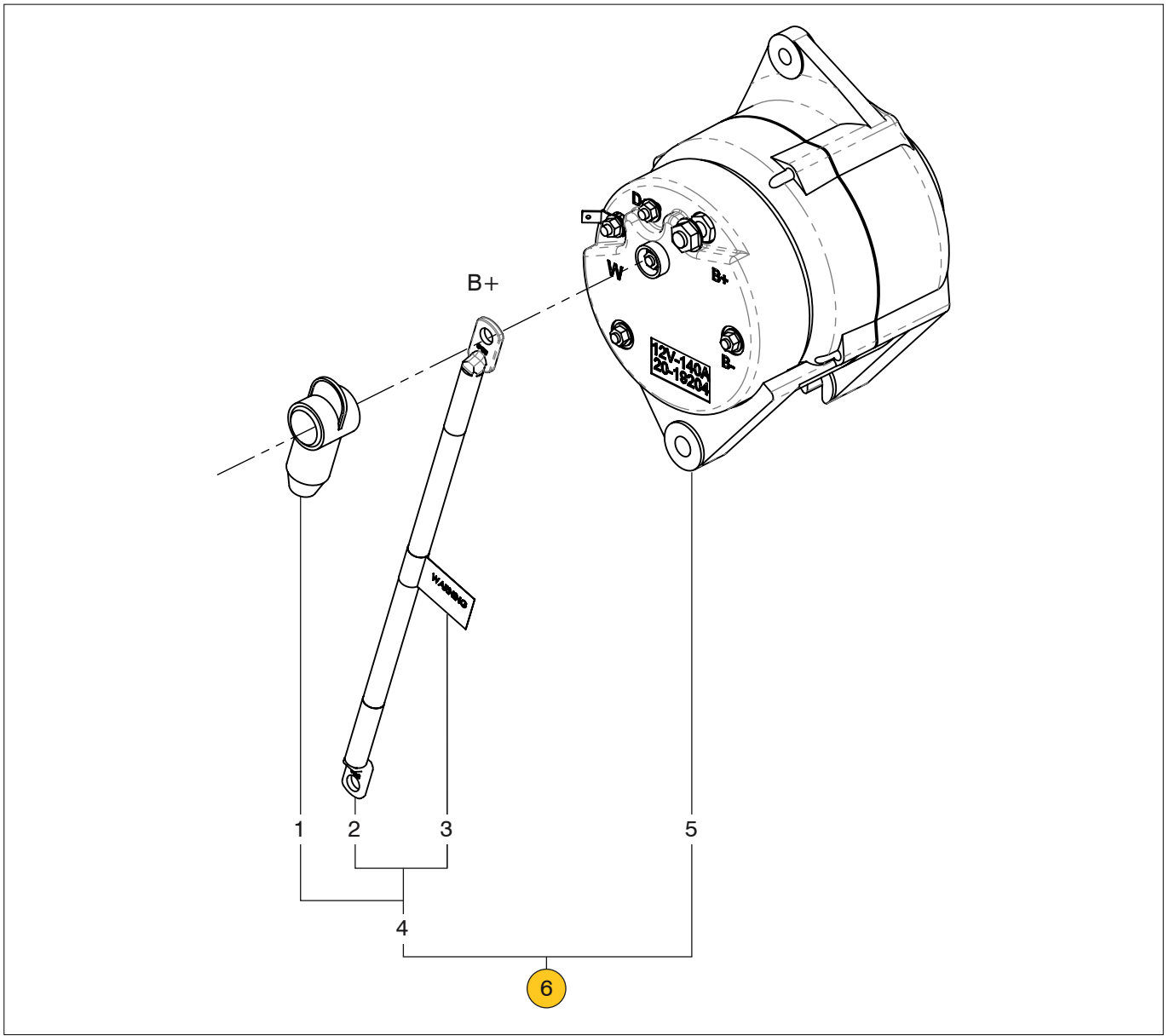
M4.35

M4.45

Transportsteun

Transport support

| pos. | qty | part | benaming | description |
|------|-----|----------|-------------------------------|------------------------------------|
| 1 | 4 | 19-18374 | Transportsteun | Transport support |
| 2 | 4 | STM3817 | Bolt M12x1,25x25 | Bolt M12x1,25x25 |
| 3 | 8 | 19-17130 | Houdraibout 8x30 (128171-PD2) | Wood thread bolt 8x30 (128171-PD2) |
| | | | | |
| | | | | |
| | | | | |
| | | | | |
| | | | | |
| | | | | |
| | | | | |
| | | | | |
| | | | | |
| | | | | |
| | | | | |
| | | | | |
| | | | | |
| | | | | |
| | | | | |
| | | | | |
| | | | | |
| | | | | |
| | | | | |
| | | | | |



M4.35

M4.45

Dynamo set 12V-140A

Alterator kit 12V-140A

| pos. | qty | part | benaming | description |
|------|-----|----------|---------------------|-------------------------|
| 1 | 1 | 20-19154 | Rubber kap | Rabber cap |
| 2 | 1 | 20-19139 | Kabel | Cable |
| 3 | 1 | 20-19152 | Sticker | Sticker |
| 4 | 1 | 20-19153 | Kabel compleet | Cable cpl. |
| 5 | 1 | 20-19204 | Dynamo 12V-140A | Alternator 12V-140A |
| 6 | 1 | 20-19223 | Dynamo set 12V-140A | Alternator kit 12V-140A |

Register Index

| art.nr. / part | pag. page | pos. | art.nr. / part | pag. page | pos. | art.nr. / part | pag. page | pos. | art.nr. / part | pag. page | pos. |
|----------------|--------------|------|----------------|--------------|------|----------------|--------------|------|----------------|--------------|------|
| 08-00136 | 3-7 | 6 | 08-01316 | 3-8 | 1 | 08-01420 | 4-7 | 25 | 16-4138 | 5-15 | 5 |
| 08-00136 | 3-11 | 6 | 08-01316 | 3-17 | 1 | 08-01420 | 4-9 | 25 | 16-4138 | 5-16 | 5 |
| 08-00136 | 10-7 | 8 | 08-01319 | 3-17 | 10 | 08-01420 | 4-11 | 25 | 16-4138 | 5-17 | 5 |
| 08-00136 | 10-8 | 8 | 08-01320 | 3-12 | 16 | 08-01420 | 4-13 | 26 | 16-4138 | 5-18 | 5 |
| 08-01005 | 3-5 | 35 | 08-01320 | 3-18 | 20 | 08-01420 | 4-16 | 10 | 19-17130 | 10-20 | 3 |
| 08-01108 | 3-2 | 11 | 08-01320 | 3-19 | 10 | 08-01420 | 4-17 | 4 | 19-17663 | 4-6 | 1 |
| 08-01110 | 10-14 | 6 | 08-01321 | 3-8 | 10 | 08-01450 | 3-18 | 23 | 19-17663 | 4-8 | 1 |
| 08-01111 | 10-14 | 8 | 08-01322 | 4-27 | 1 | 08-01451 | 3-18 | 24 | 19-17663 | 4-12 | 1 |
| 08-01113 | 10-14 | 10 | 08-01325 | 2-22 | 6 | 08-01465 | 10-17 | 6 | 19-18317 | 4-24 | 32 |
| 08-01114 | 10-14 | 11 | 08-01325 | 2-23 | 6 | 08-01474 | 10-18 | 1 | 19-18374 | 10-20 | 1 |
| 08-01115 | 10-14 | 3 | 08-01327 | 2-22 | 4 | 08-01476 | 10-18 | 6 | 19-18406 | 4-23 | 30 |
| 08-01116 | 10-14 | 4 | 08-01327 | 2-23 | 4 | 08-01477 | 10-19 | 28 | 19-18417 | 4-24 | 38 |
| 08-01117 | 10-14 | 2 | 08-01328 | 2-22 | 5 | 08-01478 | 10-19 | 24 | 19-18418 | 4-24 | 34 |
| 08-01118 | 10-14 | 7 | 08-01328 | 2-23 | 5 | 08-01479 | 10-19 | 34 | 19-18509 | 4-24 | 33 |
| 08-01141 | 3-4 | 12 | 08-01329 | 2-22 | 1 | 08-01480 | 10-18 | 13 | 20-19139 | 10-21 | 2 |
| 08-01141 | 10-7 | 14 | 08-01329 | 2-23 | 1 | 08-01481 | 10-18 | 14 | 20-19152 | 10-21 | 3 |
| 08-01141 | 10-8 | 7 | 08-01330 | 3-12 | 7 | 08-01489 | 10-19 | 35 | 20-19153 | 10-21 | 4 |
| 08-01145 | 10-13 | 6 | 08-01330 | 3-13 | 7 | 08-01495 | 2-23 | 9 | 20-19154 | 10-21 | 1 |
| 08-01146 | 10-13 | 10 | 08-01331 | 2-14 | 2 | 08-01496 | 2-23 | 10 | 20-19204 | 10-21 | 5 |
| 08-01181 | 2-19 | 19 | 08-01333 | 4-9 | 21 | 08-01504 | 3-12 | 18 | 20-19223 | 10-21 | 6 |
| 08-01237 | 2-19 | 23 | 08-01333 | 4-13 | 22 | 08-01504 | 3-13 | 14 | 21-21242 | 4-17 | 3 |
| 08-01237 | 2-20 | 2 | 08-01333 | 4-17 | 1 | 13-5976 | 10-17 | 2 | AD14-16 | 4-23 | 27 |
| 08-01267 | 2-20 | 6 | 08-01335 | 4-9 | 22 | 14-7579 | 10-16 | 1 | CT20078 | 10-12 | 9 |
| 08-01283 | 3-12 | 1 | 08-01335 | 4-13 | 23 | 14-7890 | 10-17 | 3 | CT30059 | 2-22 | 3 |
| 08-01286 | 6-10 | 1 | 08-01337 | 4-9 | 28 | 14-8210 | 10-17 | 1 | CT30059 | 2-23 | 3 |
| 08-01286E | 6-10 | 1 | 08-01343 | 3-8 | 16 | 14-8480 | 10-17 | 4 | CT30059 | 4-6 | 8 |
| 08-01289 | 6-11 | 20 | 08-01344 | 3-8 | 17 | 14-9269 | 10-17 | 5 | CT30059 | 4-8 | 8 |
| 08-01290 | 4-17 | 3 | 08-01351 | 4-20 | 2 | 15-2520 | 2-24 | 2 | CT30059 | 4-10 | 15 |
| 08-01292 | 2-22 | 9 | 08-01351 | 4-22 | 2 | 15-2624 | 2-24 | 1 | CT30059 | 4-12 | 15 |
| 08-01293 | 3-13 | 1 | 08-01353 | 10-15 | 1 | 15-2976 | 2-24 | 10 | CT30061 | 3-8 | 5 |
| 08-01302 | 6-11 | 18 | 08-01357 | 3-8 | 21 | 15-2978 | 2-24 | 8 | CT30061 | 3-17 | 5 |
| 08-01303 | 4-17 | 5 | 08-01358 | 3-8 | 21 | 15-2992 | 2-24 | 11 | CT40029 | 6-9 | 33 |
| 08-01304 | 6-11 | 25 | 08-01370 | 2-14 | 1 | 16-4138 | 5-1 | 5 | CT40042 | 4-17 | 6 |
| 08-01305 | 6-11 | 27 | 08-01372 | 3-12 | 17 | 16-4138 | 5-2 | 5 | CT40075 | 4-5 | 22 |
| 08-01306 | 6-11 | 28 | 08-01372 | 3-13 | 12 | 16-4138 | 5-3 | 5 | CT40075 | 4-16 | 7 |
| 08-01308 | 1-2 | 7 | 08-01372 | 3-17 | 7 | 16-4138 | 5-4 | 5 | CT40133 | 4-19 | 21 |
| 08-01308 | 2-20 | 5 | 08-01372 | 3-19 | 11 | 16-4138 | 5-5 | 5 | CT40133 | 4-23 | 20 |
| 08-01309 | 2-20 | 1 | 08-01373 | 2-14 | 3 | 16-4138 | 5-6 | 5 | CT40133 | 4-20 | 19 |
| 08-01313 | 3-12 | 2 | 08-01374 | 2-14 | 4 | 16-4138 | 5-7 | 5 | CT50079 | 3-8 | 18 |
| 08-01313 | 3-13 | 2 | 08-01387 | 3-13 | 13 | 16-4138 | 5-8 | 5 | CT50079 | 3-18 | 21 |
| 08-01314 | 3-12 | 12 | 08-01395 | 10-17 | 7 | 16-4138 | 5-9 | 5 | CT50079 | 5-19 | 7 |
| 08-01314 | 3-17 | 13 | 08-01396 | 10-17 | 8 | 16-4138 | 5-10 | 5 | DM10019 | 2-22 | 8 |
| 08-01314 | 3-19 | 3 | 08-01404 | 10-19 | 22 | 16-4138 | 5-11 | 5 | DM10019 | 2-23 | 8 |
| 08-01315 | 3-12 | 14 | 08-01409 | 2-20 | 8 | 16-4138 | 5-12 | 5 | EXPT1,5U | 10-7 | 3 |
| 08-01315 | 3-17 | 14 | 08-01420 | 1-2 | 1 | 16-4138 | 5-13 | 5 | EXPT1,5U | 10-7 | 6 |
| 08-01315 | 3-19 | 4 | 08-01420 | 4-5 | 25 | 16-4138 | 5-14 | 5 | FFMP23 | 4-18 | 18 |

| art.nr. / part | pag. page | pos. | art.nr. / part | pag. page | pos. | art.nr. / part | pag. page | pos. | art.nr. / part | pag. page | pos. |
|----------------|-----------|------|----------------|-----------|------|----------------|-----------|------|----------------|-----------|------|
| FFMP23 | 4-19 | 24 | P2295RKP | 4-18 | 3 | STM1019 | 3-11 | 4 | STM1024 | 10-3 | 8 |
| FFMP23 | 4-20 | 21 | P2295RKP | 4-19 | 3 | STM1019 | 3-12 | 4 | STM1025 | 4-2 | 19 |
| FFMP23 | 4-24 | 41 | P2295RKP | 4-20 | 3 | STM1019 | 3-12 | 6 | STM1025 | 4-5 | 19 |
| FUHOSE13 | 3-10 | 3 | P2295RKP | 4-22 | 3 | STM1019 | 3-12 | 8 | STM1025 | 4-26 | 8 |
| FUHOSE13 | 3-11 | 14 | P2295RKP | 10-13 | 3 | STM1019 | 3-13 | 4 | STM1025 | 6-7 | 12 |
| HCS08 | 3-4 | 20 | P35134RKP | 4-20 | 11 | STM1019 | 3-13 | 6 | STM1025 | 6-10 | 16 |
| HCS08 | 4-7 | 20 | P35134RKP | 4-22 | 13 | STM1019 | 3-13 | 8 | STM1025 | 10-1 | 7 |
| HCS08 | 4-9 | 20 | P35164RKP | 4-18 | 11 | STM1019 | 3-14 | 12 | STM1025 | 10-2 | 7 |
| HCS08 | 4-11 | 21 | P35164RKP | 4-19 | 11 | STM1019 | 3-17 | 16 | STM1025 | 10-3 | 7 |
| HCS08 | 4-13 | 21 | P35254ZKP | 4-18 | 15 | STM1019 | 3-19 | 6 | STM1025 | 10-17 | 9 |
| HCS08 | 10-7 | 1 | P35254ZKP | 4-19 | 15 | STM1019 | 4-2 | 17 | STM1027 | 3-2 | 5 |
| HCS08 | 10-9 | 4 | P35254ZKP | 4-20 | 15 | STM1019 | 4-6 | 10 | STM1030 | 6-7 | 11 |
| HCS08 | 10-10 | 4 | P35254ZKP | 4-23 | 17 | STM1019 | 4-6 | 16 | STM1030 | 6-9 | 32 |
| HCS12 | 10-14 | 5 | P35254ZKP | 10-13 | 9 | STM1019 | 4-8 | 10 | STM1052 | 2-19 | 21 |
| HCS16 | 3-12 | 13 | PA6488 | 4-18 | 10 | STM1019 | 4-8 | 16 | STM1056 | 2-18 | 5 |
| HCS16 | 3-14 | 5 | PA6488 | 4-19 | 10 | STM1019 | 4-11 | 17 | STM1056 | 2-19 | 5 |
| HCS16 | 3-17 | 12 | PA6488 | 4-20 | 10 | STM1019 | 4-13 | 17 | STM1056 | 3-5 | 32 |
| HCS16 | 3-19 | 2 | PA6488 | 4-22 | 12 | STM1019 | 4-15 | 2 | STM1056 | 3-6 | 4 |
| HCS25 | 3-8 | 9 | PA6493 | 4-18 | 9 | STM1019 | 4-17 | 10 | STM1056 | 3-7 | 13 |
| HCS25 | 3-14 | 8 | SET40131 | 4-19 | 19 | STM1019 | 4-17 | 12 | STM1056 | 3-10 | 9 |
| HCS25 | 3-17 | 8 | SET40131 | 4-23 | 18 | STM1019 | 5-1 | 8 | STM1056 | 3-15 | 4 |
| HCS75 | 2-20 | 7 | SETDOPM | 3-2 | 3 | STM1019 | 5-1 | 11 | STM1056 | 3-16 | 4 |
| HCS75 | 3-5 | 34 | SETDOPM | 3-4 | 3 | STM1019 | 5-2 | 8 | STM1056 | 4-3 | 9 |
| HCS75 | 5-19 | 5 | SETDOPM | 10-7 | 12 | STM1019 | 5-2 | 11 | STM1056 | 4-4 | 15 |
| HS1026 | 10-14 | 9 | SLP3/815 | 3-1 | 3 | STM1019 | 5-4 | 11 | STM1056 | 4-6 | 14 |
| HT5148 | 10-11 | 4 | SLP3/815 | 4-7 | 19 | STM1019 | 5-5 | 11 | STM1056 | 4-8 | 14 |
| HT5151 | 10-11 | 3 | SLP3/815 | 4-9 | 19 | STM1019 | 5-6 | 11 | STM1056 | 4-10 | 12 |
| KOGELGEWR | 10-12 | 7 | SLP3/815 | 4-11 | 20 | STM1019 | 5-7 | 11 | STM1056 | 4-12 | 12 |
| KSTEUN100V | 10-5 | 27 | SLP3/815 | 4-13 | 20 | STM1019 | 5-9 | 11 | STM1056 | 4-16 | 2 |
| KSTEUN75 | 2-21 | 9 | SLP3/815 | 10-9 | 2 | STM1019 | 5-10 | 8 | STM1056 | 5-3 | 8 |
| MP22..... | 4-20 | 18 | SLP3/815 | 10-10 | 2 | STM1019 | 5-10 | 11 | STM1056 | 5-4 | 8 |
| MP22..... | 4-20 | 18 | SLP3/815 | 10-10 | 6 | STM1019 | 5-11 | 8 | STM1056 | 5-5 | 8 |
| MP22BN12D | 4-21 | 2 | STM0051 | 1-1 | 5 | STM1019 | 5-11 | 11 | STM1056 | 5-6 | 8 |
| MP22BS12D | 4-21 | 2 | STM0051 | 1-2 | 5 | STM1019 | 5-13 | 11 | STM1056 | 5-7 | 8 |
| MP34KBS2 | 4-23 | 22 | STM0051 | 2-12 | 6 | STM1019 | 5-14 | 11 | STM1056 | 5-8 | 8 |
| MP34KBS2D | 4-25 | 2 | STM0056 | 1-1 | 8 | STM1019 | 5-15 | 11 | STM1056 | 5-9 | 8 |
| MP35374 | 4-20 | 13 | STM0056 | 1-2 | 10 | STM1019 | 5-16 | 11 | STM1056 | 5-12 | 8 |
| MP35374 | 4-22 | 15 | STM1006 | 3-2 | 12 | STM1019 | 5-18 | 11 | STM1056 | 5-13 | 8 |
| MPKA02 | 4-3 | 15 | STM1007 | 3-9 | 6 | STM1019 | 5-19 | 4 | STM1056 | 5-14 | 8 |
| MPKA04 | 4-3 | 15 | STM1017 | 3-2 | 4 | STM1019 | 6-7 | 14 | STM1056 | 5-15 | 8 |
| MPKA06 | 4-3 | 15 | STM1019 | 2-14 | 7 | STM1019 | 10-1 | 14 | STM1056 | 5-16 | 8 |
| MPKA12 | 4-3 | 15 | STM1019 | 2-19 | 22 | STM1019 | 10-2 | 17 | STM1056 | 5-17 | 8 |
| MPKB02 | 4-3 | 16 | STM1019 | 2-20 | 3 | STM1019 | 10-3 | 14 | STM1056 | 5-18 | 8 |
| MPKB04 | 4-3 | 16 | STM1019 | 2-24 | 5 | STM1019 | 10-17 | 10 | STM1056 | 6-10 | 2 |
| MPKB06 | 4-3 | 16 | STM1019 | 3-2 | 16 | STM1019 | 10-18 | 4 | STM1056 | 10-1 | 17 |
| MPKB12 | 4-3 | 16 | STM1019 | 3-4 | 9 | STM1024 | 4-5 | 20 | STM1056 | 10-2 | 20 |
| OIL... | 4-22 | 11 | STM1019 | 3-7 | 4 | STM1024 | 10-1 | 8 | STM1056 | 10-3 | 17 |
| OILSR08 | 4-23 | 29 | STM1019 | 3-9 | 4 | STM1024 | 10-2 | 8 | STM1056 | 10-4 | 4 |

| art.nr. / part | pag. page | pos. | art.nr. / part | pag. page | pos. | art.nr. / part | pag. page | pos. | art.nr. / part | pag. page | pos. |
|----------------|-----------|------|----------------|-----------|------|----------------|-----------|------|----------------|-----------|------|
| STM1056 | 10-5 | 17 | STM1651 | 10-2 | 16 | STM1851 | 10-4 | 15 | STM2492 | 2-2 | 16 |
| STM1056 | 10-11 | 5 | STM1651 | 10-3 | 13 | STM1902 | 4-26 | 17 | STM2507 | 10-2 | 12 |
| STM1056 | 10-11 | 7 | STM1653 | 3-15 | 6 | STM1902 | 4-27 | 11 | STM2507 | 10-7 | 10 |
| STM1056 | 10-12 | 16 | STM1653 | 3-16 | 6 | STM1907 | 4-26 | 16 | STM2507 | 10-8 | 10 |
| STM1056 | 10-18 | 11 | STM1653 | 4-4 | 13 | STM1907 | 4-27 | 10 | STM2508 | 2-2 | 14 |
| STM1059 | 3-2 | 14 | STM1653 | 4-6 | 7 | STM2005 | 2-14 | 8 | STM2510 | 2-1 | 12 |
| STM1059 | 3-4 | 7 | STM1653 | 4-8 | 7 | STM2005 | 2-24 | 6 | STM2511 | 2-2 | 13 |
| STM1062 | 2-13 | 6 | STM1653 | 4-10 | 14 | STM2005 | 3-6 | 5 | STM2513 | 2-3 | 1 |
| STM1062 | 2-24 | 4 | STM1653 | 10-18 | 10 | STM2005 | 3-7 | 14 | STM2525 | 2-10 | 15 |
| STM1062 | 3-2 | 13 | STM1659 | 4-12 | 14 | STM2005 | 3-10 | 10 | STM2526 | 2-10 | 10 |
| STM1062 | 3-4 | 6 | STM1703 | 4-26 | 4 | STM2005 | 3-14 | 13 | STM2526 | 2-17 | 26 |
| STM1062 | 4-23 | 26 | STM1703 | 4-26 | 4 | STM2005 | 4-2 | 20 | STM2527 | 2-10 | 7 |
| STM1062 | 10-19 | 26 | STM1703 | 4-27 | 2 | STM2005 | 4-3 | 13 | STM2528 | 2-10 | 6 |
| STM1103 | 2-1 | 7 | STM1703 | 4-27 | 3 | STM2005 | 4-4 | 16 | STM2532 | 2-9 | 6 |
| STM1108 | 2-8 | 4 | STM1703 | 4-28 | 2 | STM2005 | 4-6 | 11 | STM2537 | 2-2 | 24 |
| STM1298 | 6-6 | 1 | STM1703 | 10-5 | 18 | STM2005 | 4-8 | 11 | STM2569 | 2-5 | 11 |
| STM1299 | 2-16 | 5 | STM1703 | 10-12 | 4 | STM2005 | 4-11 | 18 | STM2573 | 2-5 | 17 |
| STM1299 | 6-3 | 1 | STM1704 | 4-26 | 5 | STM2005 | 4-13 | 18 | STM2574 | 2-5 | 20 |
| STM1303 | 2-16 | 4 | STM1704 | 4-27 | 3 | STM2005 | 4-17 | 11 | STM2579 | 2-9 | 8 |
| STM1303 | 6-3 | 2 | STM1704 | 4-28 | 3 | STM2005 | 10-5 | 16 | STM2580 | 2-7 | 24 |
| STM1391 | 6-6 | 7 | STM1704 | 10-5 | 19 | STM2005 | 10-18 | 12 | STM2583 | 2-7 | 23 |
| STM1610 | 2-14 | 6 | STM1704 | 10-12 | 6 | STM2006 | 3-3 | 25 | STM2588 | 2-6 | 5 |
| STM1610 | 3-15 | 5 | STM1705 | 4-2 | 26 | STM2006 | 4-14 | 9 | STM2589 | 2-6 | 6 |
| STM1610 | 3-16 | 5 | STM1705 | 4-15 | 8 | STM2012 | 3-3 | 26 | STM2589 | 2-16 | 6 |
| STM1610 | 4-3 | 8 | STM1705 | 4-16 | 14 | STM2012 | 10-7 | 11 | STM2591 | 2-9 | 11 |
| STM1610 | 4-5 | 17 | STM1705 | 4-26 | 14 | STM2012 | 10-8 | 11 | STM2603 | 2-6 | 10 |
| STM1610 | 5-1 | 10 | STM1705 | 4-27 | 8 | STM2012 | 10-9 | 3 | STM2672 | 2-12 | 3 |
| STM1610 | 5-1 | 10 | STM1705 | 4-28 | 5 | STM2012 | 10-10 | 3 | STM2672 | 2-16 | 7 |
| STM1610 | 5-1 | 10 | STM1705 | 10-5 | 20 | STM2018 | 3-5 | 23 | STM2678 | 2-16 | 8 |
| STM1610 | 5-2 | 10 | STM1705 | 10-12 | 3 | STM2018 | 4-23 | 31 | STM2678 | 3-1 | 6 |
| STM1610 | 5-4 | 10 | STM1707 | 4-26 | 13 | STM2019 | 3-3 | 24 | STM2682 | 2-16 | 10 |
| STM1610 | 5-5 | 10 | STM1707 | 4-27 | 7 | STM2019 | 4-14 | 10 | STM2682 | 3-1 | 4 |
| STM1610 | 5-6 | 10 | STM1707 | 4-28 | 4 | STM2022 | 3-8 | 3 | STM2683 | 3-1 | 5 |
| STM1610 | 5-7 | 10 | STM1707 | 10-5 | 21 | STM2022 | 3-12 | 11 | STM2718 | 6-2 | 28 |
| STM1610 | 5-9 | 10 | STM1707 | 10-12 | 5 | STM2022 | 3-13 | 11 | STM2734 | 2-16 | 9 |
| STM1610 | 5-10 | 10 | STM1806 | 4-26 | 11 | STM2022 | 3-17 | 3 | STM2734 | 6-2 | 34 |
| STM1610 | 5-10 | 10 | STM1806 | 4-27 | 5 | STM2022 | 3-18 | 19 | STM2740 | 4-14 | 1 |
| STM1610 | 5-10 | 10 | STM1806 | 4-28 | 7 | STM2022 | 3-19 | 9 | STM2742 | 4-14 | 3 |
| STM1610 | 5-11 | 10 | STM1806 | 10-5 | 22 | STM2022 | 4-3 | 4 | STM3005 | 3-6 | 7 |
| STM1610 | 5-13 | 10 | STM1807 | 4-26 | 10 | STM2022 | 4-4 | 6 | STM3005 | 3-7 | 9 |
| STM1610 | 5-14 | 10 | STM1807 | 4-27 | 4 | STM2022 | 4-10 | 7 | STM3005 | 3-8 | 13 |
| STM1610 | 5-15 | 10 | STM1807 | 4-28 | 6 | STM2022 | 4-12 | 7 | STM3005 | 3-8 | 15 |
| STM1610 | 5-16 | 10 | STM1807 | 10-5 | 23 | STM2022 | 6-11 | 19 | STM3005 | 3-9 | 8 |
| STM1610 | 5-18 | 10 | STM1808 | 4-26 | 12 | STM2022 | 10-1 | 11 | STM3005 | 3-10 | 4 |
| STM1610 | 10-18 | 9 | STM1808 | 4-27 | 6 | STM2022 | 10-2 | 13 | STM3005 | 3-10 | 5 |
| STM1651 | 2-18 | 6 | STM1808 | 4-28 | 8 | STM2022 | 10-3 | 11 | STM3005 | 3-11 | 9 |
| STM1651 | 2-19 | 6 | STM1808 | 10-5 | 24 | STM2022 | 10-18 | 7 | STM3005 | 3-11 | 15 |
| STM1651 | 10-1 | 13 | STM1851 | 4-28 | 1 | STM2261 | 3-9 | 5 | STM3012 | 2-18 | 3 |

| art.nr. / part | pag. page | pos. | art.nr. / part | pag. page | pos. | art.nr. / part | pag. page | pos. | art.nr. / part | pag. page | pos. |
|----------------|-----------|------|----------------|-----------|------|----------------|-----------|------|----------------|-----------|------|
| STM3012 | 2-19 | 10 | STM3736 | 10-8 | 9 | STM4003 | 5-8 | 4 | STM4032 | 5-11 | 9 |
| STM3012 | 3-5 | 36 | STM3749 | 2-18 | 4 | STM4003 | 5-8 | 12 | STM4037 | 6-9 | 34 |
| STM3057 | 10-14 | 1 | STM3749 | 2-19 | 4 | STM4003 | 5-8 | 14 | STM4038 | 6-9 | 36 |
| STM3061 | 3-6 | 2 | STM3749 | 4-3 | 10 | STM4003 | 5-9 | 4 | STM4043 | 3-4 | 5 |
| STM3061 | 3-8 | 11 | STM3749 | 4-6 | 15 | STM4003 | 5-10 | 4 | STM4049 | 6-9 | 37 |
| STM3061 | 3-10 | 6 | STM3749 | 4-8 | 15 | STM4003 | 5-11 | 4 | STM4049 | 6-10 | 13 |
| STM3066 | 2-14 | 5 | STM3749 | 4-10 | 16 | STM4003 | 5-12 | 4 | STM4050 | 1-2 | 6 |
| STM3066 | 4-15 | 14 | STM3749 | 4-12 | 16 | STM4003 | 5-12 | 11 | STM4050 | 6-9 | 35 |
| STM3066 | 4-16 | 13 | STM3771 | 3-5 | 33 | STM4003 | 5-13 | 4 | STM4054 | 5-1 | 9 |
| STM3091 | 3-10 | 2 | STM3771 | 5-19 | 1 | STM4003 | 5-14 | 4 | STM4054 | 5-2 | 9 |
| STM3260 | 6-9 | 38 | STM3779 | 6-10 | 5 | STM4003 | 5-15 | 4 | STM4054 | 5-4 | 9 |
| STM3355 | 2-19 | 20 | STM3796 | 3-9 | 7 | STM4003 | 5-16 | 4 | STM4054 | 5-5 | 9 |
| STM3355 | 2-20 | 4 | STM3796 | 6-7 | 3 | STM4003 | 5-17 | 4 | STM4054 | 5-6 | 9 |
| STM3355 | 3-5 | 31 | STM3796 | 6-10 | 6 | STM4003 | 5-17 | 12 | STM4054 | 5-10 | 9 |
| STM3355 | 3-6 | 12 | STM3797 | 6-7 | 2 | STM4003 | 5-17 | 14 | STM4054 | 5-11 | 9 |
| STM3355 | 3-7 | 12 | STM3813 | 5-1 | 2 | STM4003 | 5-18 | 4 | STM4054 | 5-13 | 9 |
| STM3355 | 3-7 | 15 | STM3813 | 5-2 | 2 | STM4003 | 6-9 | 31 | STM4054 | 5-14 | 9 |
| STM3355 | 3-8 | 12 | STM3813 | 5-3 | 2 | STM4003 | 10-4 | 7 | STM4054 | 5-15 | 9 |
| STM3355 | 3-10 | 8 | STM3813 | 5-4 | 2 | STM4003 | 10-5 | 28 | STM4054 | 10-1 | 16 |
| STM3355 | 3-11 | 11 | STM3813 | 5-5 | 2 | STM4003 | 10-12 | 10 | STM4054 | 10-2 | 19 |
| STM3355 | 4-7 | 17 | STM3813 | 5-6 | 2 | STM4010 | 2-21 | 5 | STM4054 | 10-3 | 16 |
| STM3355 | 4-9 | 17 | STM3813 | 5-7 | 2 | STM4011 | 2-21 | 8 | STM4054 | 10-4 | 2 |
| STM3355 | 4-15 | 3 | STM3813 | 5-8 | 2 | STM4013 | 4-4 | 10 | STM4055 | 2-24 | 7 |
| STM3355 | 4-16 | 3 | STM3813 | 5-9 | 2 | STM4013 | 6-7 | 7 | STM4055 | 3-12 | 5 |
| STM3355 | 4-17 | 9 | STM3813 | 5-10 | 2 | STM4014 | 3-3 | 29 | STM4055 | 3-13 | 5 |
| STM3355 | 5-19 | 3 | STM3813 | 5-11 | 2 | STM4014 | 3-5 | 26 | STM4055 | 4-17 | 13 |
| STM3389 | 2-3 | 6 | STM3813 | 5-12 | 2 | STM4014 | 4-4 | 9 | STM4055 | 5-1 | 7 |
| STM3409 | 6-3 | 8 | STM3813 | 5-13 | 2 | STM4014 | 4-6 | 4 | STM4055 | 5-2 | 7 |
| STM3410 | 6-3 | 9 | STM3813 | 5-14 | 2 | STM4014 | 4-8 | 4 | STM4055 | 5-3 | 7 |
| STM3448 | 2-5 | 19 | STM3813 | 5-15 | 2 | STM4014 | 4-10 | 4 | STM4055 | 5-4 | 7 |
| STM3491 | 3-8 | 19 | STM3813 | 5-16 | 2 | STM4014 | 4-12 | 4 | STM4055 | 5-5 | 7 |
| STM3491 | 3-18 | 22 | STM3813 | 5-17 | 2 | STM4014 | 4-28 | 13 | STM4055 | 5-6 | 7 |
| STM3491 | 5-19 | 6 | STM3813 | 5-18 | 2 | STM4016 | 6-10 | 10 | STM4055 | 5-7 | 7 |
| STM3491 | 5-19 | 8 | STM3813 | 10-4 | 5 | STM4018 | 3-8 | 4 | STM4055 | 5-8 | 7 |
| STM3518 | 10-19 | 27 | STM3817 | 4-24 | 39 | STM4018 | 3-17 | 4 | STM4055 | 5-9 | 7 |
| STM3650 | 4-14 | 2 | STM3817 | 6-9 | 30 | STM4018 | 6-7 | 9 | STM4055 | 5-10 | 7 |
| STM3688 | 4-6 | 3 | STM3817 | 10-20 | 2 | STM4018 | 6-10 | 12 | STM4055 | 5-11 | 7 |
| STM3688 | 4-8 | 3 | STM3912 | 2-11 | 24 | STM4018 | 10-1 | 12 | STM4055 | 5-12 | 7 |
| STM3688 | 4-10 | 3 | STM4003 | 2-24 | 9 | STM4018 | 10-2 | 14 | STM4055 | 5-13 | 7 |
| STM3688 | 4-12 | 3 | STM4003 | 4-4 | 3 | STM4018 | 10-3 | 12 | STM4055 | 5-14 | 7 |
| STM3690 | 1-1 | 3 | STM4003 | 5-1 | 4 | STM4018 | 10-18 | 8 | STM4055 | 5-15 | 7 |
| STM3690 | 1-2 | 3 | STM4003 | 5-2 | 4 | STM4031 | 5-7 | 9 | STM4055 | 5-16 | 7 |
| STM3690 | 6-7 | 5 | STM4003 | 5-3 | 4 | STM4031 | 5-9 | 9 | STM4055 | 5-17 | 7 |
| STM3690 | 6-10 | 8 | STM4003 | 5-3 | 11 | STM4031 | 5-16 | 9 | STM4055 | 5-18 | 7 |
| STM3690 | 10-18 | 15 | STM4003 | 5-4 | 4 | STM4031 | 5-18 | 9 | STM4055 | 6-10 | 3 |
| STM3705 | 3-3 | 30 | STM4003 | 5-5 | 4 | STM4032 | 5-1 | 9 | STM4055 | 10-1 | 18 |
| STM3705 | 3-5 | 27 | STM4003 | 5-6 | 4 | STM4032 | 5-2 | 9 | STM4055 | 10-2 | 21 |
| STM3736 | 10-7 | 9 | STM4003 | 5-7 | 4 | STM4032 | 5-10 | 9 | STM4055 | 10-3 | 18 |

| art.nr. / part | pag. page | pos. | art.nr. / part | pag. page | pos. | art.nr. / part | pag. page | pos. | art.nr. / part | pag. page | pos. |
|----------------|-----------|------|----------------|-----------|------|----------------|-----------|------|----------------|-----------|------|
| STM4055 | 10-4 | 3 | STM4593 | 4-17 | 8 | STM6269 | 4-14 | 6 | STM7053 | 5-5 | 5 |
| STM4055 | 10-12 | 15 | STM4611 | 4-5 | 26 | STM6269 | 4-23 | 28 | STM7053 | 5-6 | 3 |
| STM4056 | 2-21 | 3 | STM4611 | 4-16 | 11 | STM6277 | 4-1 | 16 | STM7053 | 5-6 | 5 |
| STM4056 | 2-21 | 11 | STM4612 | 4-5 | 18 | STM6278 | 4-1 | 15 | STM7053 | 5-7 | 3 |
| STM4056 | 4-24 | 40 | STM4612 | 4-16 | 1 | STM6291 | 6-9 | 39 | STM7053 | 5-7 | 5 |
| STM4056 | 5-1 | 6 | STM4619 | 4-4 | 14 | STM6299 | 3-3 | 23 | STM7053 | 5-8 | 3 |
| STM4056 | 5-1 | 6 | STM5007 | 5-19 | 1 | STM6299 | 3-4 | 13 | STM7053 | 5-8 | 5 |
| STM4056 | 5-2 | 6 | STM5017 | 10-4 | 12 | STM6299 | 10-11 | 8 | STM7053 | 5-9 | 3 |
| STM4056 | 5-2 | 6 | STM5434 | 3-18 | 25 | STM6305 | 2-13 | 8 | STM7053 | 5-9 | 5 |
| STM4056 | 5-3 | 6 | STM5800 | 10-4 | 10 | STM6412 | 4-15 | 1 | STM7053 | 5-10 | 3 |
| STM4056 | 5-3 | 6 | STM5801 | 10-4 | 10 | STM6503 | 3-2 | 8 | STM7053 | 5-10 | 5 |
| STM4056 | 5-4 | 6 | STM6000 | 10-12 | 1 | STM6531 | 3-2 | 15 | STM7053 | 5-11 | 3 |
| STM4056 | 5-4 | 6 | STM6001 | 10-12 | 1 | STM6531 | 3-4 | 8 | STM7053 | 5-11 | 5 |
| STM4056 | 5-5 | 6 | STM6005 | 10-12 | 17 | STM6560 | 3-8 | 6 | STM7053 | 5-12 | 3 |
| STM4056 | 5-5 | 6 | STM6032 | 10-12 | 8 | STM6560 | 3-17 | 6 | STM7053 | 5-12 | 5 |
| STM4056 | 5-6 | 6 | STM6049 | 6-7 | 4 | STM6560 | 10-12 | 11 | STM7053 | 5-13 | 3 |
| STM4056 | 5-6 | 6 | STM6049 | 6-10 | 7 | STM6561 | 3-6 | 3 | STM7053 | 5-13 | 5 |
| STM4056 | 5-7 | 6 | STM6049 | 10-18 | 16 | STM6562 | 4-6 | 13 | STM7053 | 5-14 | 3 |
| STM4056 | 5-7 | 6 | STM6050 | 6-7 | 1 | STM6562 | 4-8 | 13 | STM7053 | 5-14 | 5 |
| STM4056 | 5-8 | 6 | STM6050 | 6-10 | 4 | STM6562 | 4-10 | 11 | STM7053 | 5-15 | 3 |
| STM4056 | 5-8 | 6 | STM6113 | 1-1 | 2 | STM6562 | 4-12 | 11 | STM7053 | 5-15 | 5 |
| STM4056 | 5-9 | 6 | STM6113 | 1-2 | 2 | STM6568 | 4-2 | 18 | STM7053 | 5-16 | 3 |
| STM4056 | 5-9 | 6 | STM6113 | 3-2 | 7 | STM6568 | 4-26 | 15 | STM7053 | 5-16 | 5 |
| STM4056 | 5-10 | 6 | STM6115 | 6-7 | 6 | STM6568 | 4-27 | 9 | STM7053 | 5-17 | 3 |
| STM4056 | 5-10 | 6 | STM6121 | 3-2 | 17 | STM6571 | 4-22 | 1 | STM7053 | 5-17 | 5 |
| STM4056 | 5-11 | 6 | STM6121 | 3-4 | 10 | STM6581 | 6-8 | 18 | STM7053 | 5-18 | 3 |
| STM4056 | 5-11 | 6 | STM6121 | 4-6 | 6 | STM6581 | 6-8 | 19 | STM7053 | 5-18 | 5 |
| STM4056 | 5-12 | 6 | STM6121 | 4-8 | 6 | STM6911 | 4-23 | 24 | STM7053 | 10-4 | 6 |
| STM4056 | 5-12 | 6 | STM6121 | 10-18 | 3 | STM6920 | 10-13 | 7 | STM7053 | 10-4 | 8 |
| STM4056 | 5-13 | 6 | STM6126 | 3-3 | 21 | STM6955 | 4-23 | 23 | STM7053 | 10-12 | 12 |
| STM4056 | 5-13 | 6 | STM6126 | 3-15 | 3 | STM6961 | 4-24 | 37 | STM7056 | 6-8 | 16 |
| STM4056 | 5-14 | 6 | STM6126 | 3-16 | 3 | STM6982 | 4-18 | 14 | STM7056 | 6-11 | 21 |
| STM4056 | 5-14 | 6 | STM6127 | 3-15 | 2 | STM6982 | 4-19 | 14 | STM7056 | 10-19 | 31 |
| STM4056 | 5-15 | 6 | STM6127 | 3-16 | 2 | STM6990 | 4-5 | 28 | STM7059 | 3-14 | 11 |
| STM4056 | 5-15 | 6 | STM6159 | 4-5 | 23 | STM6991 | 4-5 | 21 | STM7059 | 4-10 | 13 |
| STM4056 | 5-16 | 6 | STM6159 | 4-15 | 10 | STM6993 | 4-21 | 1 | STM7059 | 4-12 | 13 |
| STM4056 | 5-16 | 6 | STM6159 | 4-16 | 9 | STM6994 | 4-25 | 1 | STM7059 | 5-2 | 10 |
| STM4056 | 5-17 | 6 | STM6163 | 3-15 | 8 | STM6995 | 4-5 | 29 | STM7059 | 5-2 | 10 |
| STM4056 | 5-17 | 6 | STM6167 | 3-15 | 11 | STM7053 | 4-17 | 15 | STM7059 | 5-11 | 10 |
| STM4056 | 5-18 | 6 | STM6180 | 6-7 | 10 | STM7053 | 5-1 | 3 | STM7059 | 5-11 | 10 |
| STM4056 | 5-18 | 6 | STM6185 | 6-8 | 22 | STM7053 | 5-1 | 5 | STM7059 | 6-7 | 13 |
| STM4056 | 10-4 | 9 | STM6185 | 6-11 | 24 | STM7053 | 5-2 | 3 | STM7222 | 10-13 | 13 |
| STM4056 | 10-12 | 13 | STM6185 | 10-19 | 33 | STM7053 | 5-2 | 5 | STM7254 | 10-13 | 11 |
| STM4060 | 2-21 | 4 | STM6186 | 6-8 | 23 | STM7053 | 5-3 | 3 | STM7285 | 3-7 | 5 |
| STM4061 | 6-7 | 8 | STM6186 | 6-11 | 26 | STM7053 | 5-3 | 5 | STM7285 | 3-11 | 5 |
| STM4061 | 6-10 | 11 | STM6238 | 4-28 | 9 | STM7053 | 5-4 | 3 | STM7294 | 4-7 | 27 |
| STM4061 | 10-4 | 11 | STM6239 | 4-28 | 10 | STM7053 | 5-4 | 5 | STM7294 | 4-9 | 27 |
| STM4591 | 6-11 | 30 | STM6248 | 4-15 | 9 | STM7053 | 5-5 | 3 | STM7294 | 4-11 | 27 |

| art.nr. / part | pag. page | pos. | art.nr. / part | pag. page | pos. | art.nr. / part | pag. page | pos. | art.nr. / part | pag. page | pos. |
|----------------|-----------|------|----------------|-----------|------|----------------|-----------|------|----------------|-----------|------|
| STM7294 | 4-13 | 28 | STM7566 | 10-11 | 1 | STM7609 | 5-17 | 9 | STM7674 | 3-6 | 1 |
| STM7410 | 2-4 | 4 | STM7567 | 5-3 | 1 | STM7611 | 10-1 | 4 | STM7674 | 3-7 | 10 |
| STM7411 | 2-5 | 10 | STM7567 | 5-8 | 1 | STM7612 | 10-1 | 9 | STM7675 | 3-6 | 8 |
| STM7412 | 2-8 | 1 | STM7567 | 5-12 | 1 | STM7612 | 10-2 | 9 | STM7676 | 3-6 | 9 |
| STM7414 | 2-8 | 4 | STM7567 | 5-17 | 1 | STM7614 | 10-1 | 15 | STM7677 | 3-6 | 10 |
| STM7415 | 2-8 | 10 | STM7567 | 10-4 | 1 | STM7615 | 10-1 | 10 | STM7679 | 3-5 | 29 |
| STM7435 | 2-13 | 4 | STM7567 | 10-12 | 14 | STM7616 | 10-2 | 4 | STM7683 | 10-7 | 13 |
| STM7442 | 2-13 | 3 | STM7568 | 3-5 | 30 | STM7616 | 10-3 | 4 | STM7683 | 10-8 | 13 |
| STM7443 | 2-13 | 7 | STM7568 | 5-19 | 2 | STM7617 | 10-3 | 9 | STM7688 | 3-15 | 13 |
| STM7443 | 2-24 | 3 | STM7570 | 2-21 | 1 | STM7618 | 10-3 | 10 | STM7688 | 3-16 | 9 |
| STM7444 | 4-4 | 11 | STM7571 | 2-21 | 2 | STM7619 | 10-3 | 15 | STM7689 | 3-15 | 12 |
| STM7446 | 3-2 | 10 | STM7572 | 6-9 | 29 | STM7620 | 10-2 | 10 | STM7689 | 3-16 | 8 |
| STM7458 | 2-13 | 9 | STM7574 | 2-18 | 2 | STM7621 | 10-2 | 18 | STM7700 | 2-8 | 1 |
| STM7472 | 2-13 | 10 | STM7576 | 4-26 | 2 | STM7623 | 4-4 | 12 | STM7702 | 2-8 | 3 |
| STM7484 | 2-13 | 5 | STM7577 | 4-26 | 6 | STM7624 | 4-4 | 2 | STM7704 | 2-8 | 7 |
| STM7551 | 3-2 | 2 | STM7583 | 3-4 | 15 | STM7625 | 4-4 | 8 | STM7705 | 2-8 | 8 |
| STM7552 | 3-2 | 1 | STM7584 | 2-21 | 6 | STM7625 | 4-6 | 2 | STM7706 | 2-8 | 10 |
| STM7553 | 3-4 | 2 | STM7585 | 3-3 | 27 | STM7625 | 4-8 | 2 | STM7707 | 2-8 | 11 |
| STM7554 | 3-4 | 1 | STM7585 | 3-14 | 2 | STM7625 | 4-10 | 2 | STM7708 | 2-8 | 12 |
| STM7555 | 3-2 | 6 | STM7586 | 3-5 | 24 | STM7625 | 4-12 | 2 | STM7709 | 2-8 | 13 |
| STM7557 | 3-3 | 19 | STM7587 | 3-5 | 22 | STM7627 | 4-3 | 7 | STM7709 | 2-16 | 12 |
| STM7558 | 3-3 | 20 | STM7589 | 2-18 | 2 | STM7629 | 3-15 | 9 | STM7710 | 2-8 | 14 |
| STM7558 | 3-4 | 14 | STM7591 | 4-5 | 27 | STM7630 | 3-15 | 1 | STM7710 | 3-3 | 28 |
| STM7559 | 3-9 | 1 | STM7591 | 4-15 | 13 | STM7630 | 3-16 | 1 | STM7710 | 3-5 | 25 |
| STM7560 | 3-9 | 9 | STM7591 | 4-16 | 12 | STM7630 | 3-17 | 11 | STM7710 | 3-12 | 9 |
| STM7560 | 3-10 | 1 | STM7593 | 4-26 | 3 | STM7630 | 3-19 | 1 | STM7710 | 3-13 | 9 |
| STM7560 | 3-11 | 13 | STM7594 | 4-26 | 7 | STM7631 | 3-15 | 10 | STM7710 | 3-18 | 17 |
| STM7561 | 3-14 | 1 | STM7595 | 2-21 | 7 | STM7640 | 4-3 | 2 | STM7710 | 3-19 | 7 |
| STM7562 | 3-14 | 3 | STM7595 | 2-21 | 10 | STM7641 | 4-3 | 3 | STM7711 | 2-8 | 15 |
| STM7563 | 3-14 | 4 | STM7598 | 6-8 | 20 | STM7641 | 4-4 | 5 | STM7712 | 2-6 | 1 |
| STM7564 | 3-6 | 11 | STM7598 | 6-11 | 29 | STM7641 | 4-10 | 8 | STM7713 | 2-6 | 2 |
| STM7564 | 3-14 | 10 | STM7599 | 6-8 | 21 | STM7641 | 4-12 | 8 | STM7714 | 2-6 | 3 |
| STM7565 | 3-6 | 6 | STM7601 | 10-1 | 5 | STM7642 | 4-3 | 5 | STM7715 | 2-6 | 4 |
| STM7565 | 3-10 | 7 | STM7601 | 10-2 | 5 | STM7642 | 4-4 | 7 | STM7716 | 2-6 | 7 |
| STM7566 | 5-1 | 1 | STM7602 | 10-3 | 5 | STM7642 | 4-10 | 6 | STM7717 | 2-6 | 8 |
| STM7566 | 5-2 | 1 | STM7603 | 10-1 | 6 | STM7642 | 4-12 | 6 | STM7718 | 2-6 | 9 |
| STM7566 | 5-4 | 1 | STM7603 | 10-2 | 6 | STM7643 | 1-1 | 7 | STM7719 | 2-6 | 11 |
| STM7566 | 5-5 | 1 | STM7603 | 10-3 | 6 | STM7643 | 4-3 | 6 | STM7720 | 2-6 | 12 |
| STM7566 | 5-6 | 1 | STM7604 | 10-2 | 11 | STM7646 | 4-3 | 11 | STM7721 | 2-6 | 14 |
| STM7566 | 5-7 | 1 | STM7605 | 10-1 | 1 | STM7646 | 10-18 | 2 | STM7722 | 2-6 | 15 |
| STM7566 | 5-9 | 1 | STM7606 | 10-2 | 1 | STM7648 | 3-3 | 31 | STM7723 | 2-6 | 16 |
| STM7566 | 5-10 | 1 | STM7606 | 10-3 | 1 | STM7654 | 3-1 | 11 | STM7724 | 2-7 | 17 |
| STM7566 | 5-11 | 1 | STM7607 | 10-1 | 2 | STM7654 | 3-9 | 3 | STM7725 | 2-7 | 18 |
| STM7566 | 5-13 | 1 | STM7608 | 10-2 | 2 | STM7655 | 4-2 | 23 | STM7727 | 2-7 | 20 |
| STM7566 | 5-14 | 1 | STM7608 | 10-3 | 2 | STM7656 | 4-2 | 22 | STM7728 | 2-7 | 21 |
| STM7566 | 5-15 | 1 | STM7609 | 5-3 | 9 | STM7667 | 4-4 | 4 | STM7729 | 2-7 | 22 |
| STM7566 | 5-16 | 1 | STM7609 | 5-8 | 9 | STM7673 | 3-5 | 28 | STM7730 | 2-6 | 13 |
| STM7566 | 5-18 | 1 | STM7609 | 5-12 | 9 | STM7673 | 3-8 | 14 | STM7731 | 2-7 | 19 |

| art.nr. / part | pag. page | pos. | art.nr. / part | pag. page | pos. | art.nr. / part | pag. page | pos. | art.nr. / part | pag. page | pos. |
|----------------|-----------|------|----------------|-----------|------|----------------|-----------|------|----------------|-----------|------|
| STM7732 | 2-9 | 1 | STM7779 | 2-10 | 12 | STM7824 | 2-19 | 9 | STM7877 | 6-3 | 19 |
| STM7734 | 2-9 | 4 | STM7780 | 2-11 | 23 | STM7825 | 2-17 | 20 | STM7877 | 6-8 | 24 |
| STM7734 | 2-16 | 13 | STM7782 | 2-12 | 13 | STM7825 | 3-3 | 32 | STM7879 | 6-6 | 2 |
| STM7736 | 2-9 | 5 | STM7783 | 2-12 | 14 | STM7825 | 3-4 | 11 | STM7880 | 6-6 | 3 |
| STM7737 | 2-9 | 7 | STM7784 | 2-12 | 15 | STM7826 | 2-12 | 10 | STM7881 | 6-6 | 3 |
| STM7738 | 2-9 | 9 | STM7784 | 2-16 | 3 | STM7827 | 2-12 | 11 | STM7882 | 6-6 | 3 |
| STM7739 | 2-9 | 10 | STM7786 | 2-12 | 17 | STM7828 | 2-12 | 12 | STM7883 | 6-6 | 3 |
| STM7740 | 2-9 | 12 | STM7787 | 2-4 | 1 | STM7829 | 2-12 | 1 | STM7884 | 6-6 | 3 |
| STM7742 | 2-1 | 1 | STM7788 | 2-4 | 1 | STM7831 | 2-12 | 2 | STM7885 | 6-6 | 3 |
| STM7743 | 2-1 | 3 | STM7789 | 2-4 | 1 | STM7832 | 2-12 | 5 | STM7886 | 6-6 | 3 |
| STM7744 | 2-1 | 4 | STM7790 | 2-4 | 2 | STM7834 | 4-14 | 8 | STM7887 | 6-6 | 3 |
| STM7745 | 2-1 | 5 | STM7791 | 2-4 | 2 | STM7835 | 2-13 | 1 | STM7888 | 6-6 | 3 |
| STM7746 | 2-1 | 6 | STM7792 | 2-4 | 2 | STM7836 | 2-13 | 2 | STM7889 | 6-6 | 3 |
| STM7747 | 2-1 | 8 | STM7793 | 2-4 | 3 | STM7843 | 3-1 | 1 | STM7890 | 6-6 | 4 |
| STM7748 | 2-1 | 9 | STM7794 | 2-4 | 4 | STM7844 | 3-1 | 2 | STM7891 | 6-6 | 5 |
| STM7748 | 2-1 | 9 | STM7795 | 2-4 | 5 | STM7845 | 3-1 | 3 | STM7892 | 6-6 | 6 |
| STM7749 | 2-1 | 10 | STM7796 | 2-4 | 6 | STM7845 | 10-7 | 7 | STM7894 | 6-6 | 8 |
| STM7750 | 2-1 | 11 | STM7799 | 2-4 | 9 | STM7845 | 10-9 | 6 | STM7895 | 6-1 | 1 |
| STM7751 | 2-2 | 15 | STM7800 | 2-4 | 9 | STM7847 | 3-1 | 7 | STM7896 | 6-1 | 2 |
| STM7752 | 2-2 | 17 | STM7801 | 2-4 | 9 | STM7848 | 3-1 | 8 | STM7897 | 6-1 | 3 |
| STM7753 | 2-2 | 18 | STM7802 | 2-4 | 9 | STM7849 | 3-1 | 9 | STM7898 | 6-1 | 4 |
| STM7754 | 2-2 | 19 | STM7803 | 2-5 | 10 | STM7850 | 3-1 | 10 | STM7899 | 6-1 | 5 |
| STM7755 | 2-2 | 20 | STM7804 | 2-5 | 12 | STM7852 | 3-1 | 12 | STM7900 | 6-1 | 6 |
| STM7755 | 2-16 | 16 | STM7805 | 2-5 | 13 | STM7853 | 3-1 | 13 | STM7901 | 6-1 | 7 |
| STM7756 | 2-2 | 21 | STM7806 | 2-5 | 14 | STM7854 | 3-1 | 14 | STM7902 | 6-1 | 8 |
| STM7757 | 2-2 | 22 | STM7807 | 2-5 | 15 | STM7855 | 2-17 | 22 | STM7903 | 6-1 | 9 |
| STM7758 | 2-2 | 23 | STM7809 | 2-5 | 16 | STM7855 | 3-1 | 15 | STM7904 | 6-1 | 10 |
| STM7760 | 2-3 | 2 | STM7812 | 2-5 | 21 | STM7855 | 3-9 | 2 | STM7905 | 6-1 | 11 |
| STM7761 | 2-3 | 3 | STM7814 | 2-11 | 18 | STM7856 | 2-17 | 23 | STM7906 | 6-1 | 12 |
| STM7761 | 2-16 | 14 | STM7815 | 2-11 | 19 | STM7856 | 3-1 | 16 | STM7907 | 6-1 | 13 |
| STM7762 | 2-3 | 4 | STM7816 | 2-11 | 20 | STM7857 | 3-1 | 17 | STM7908 | 6-1 | 14 |
| STM7763 | 2-3 | 5 | STM7817 | 2-11 | 21 | STM7858 | 3-1 | 18 | STM7909 | 6-1 | 15 |
| STM7764 | 2-3 | 6 | STM7818 | 2-11 | 22 | STM7860 | 3-1 | 19 | STM7910 | 6-1 | 16 |
| STM7765 | 2-3 | 6 | STM7819 | 2-15 | 1 | STM7863 | 6-3 | 3 | STM7911 | 6-1 | 17 |
| STM7766 | 2-3 | 6 | STM7820 | 2-15 | 2 | STM7864 | 6-3 | 4 | STM7912 | 6-1 | 18 |
| STM7767 | 2-3 | 7 | STM7820 | 2-17 | 19 | STM7865 | 6-3 | 5 | STM7913 | 6-2 | 19 |
| STM7769 | 2-3 | 10 | STM7820 | 2-20 | 9 | STM7866 | 6-3 | 6 | STM7914 | 6-2 | 20 |
| STM7770 | 2-10 | 1 | STM7821 | 2-15 | 3 | STM7867 | 6-3 | 7 | STM7915 | 6-2 | 21 |
| STM7771 | 2-10 | 2 | STM7821 | 2-17 | 21 | STM7868 | 6-3 | 10 | STM7916 | 6-2 | 22 |
| STM7771 | 2-16 | 15 | STM7821 | 2-18 | 7 | STM7869 | 6-3 | 11 | STM7917 | 6-2 | 23 |
| STM7772 | 2-10 | 3 | STM7821 | 2-19 | 7 | STM7870 | 6-3 | 12 | STM7918 | 2-17 | 24 |
| STM7773 | 2-10 | 4 | STM7822 | 2-15 | 4 | STM7871 | 6-3 | 13 | STM7918 | 6-2 | 24 |
| STM7774 | 2-10 | 5 | STM7822 | 2-17 | 18 | STM7872 | 6-3 | 14 | STM7919 | 6-2 | 25 |
| STM7774 | 2-17 | 17 | STM7822 | 2-18 | 8 | STM7873 | 6-3 | 15 | STM7920 | 6-2 | 26 |
| STM7776 | 2-10 | 8 | STM7822 | 2-19 | 8 | STM7874 | 6-3 | 16 | STM7921 | 6-2 | 27 |
| STM7777 | 2-10 | 9 | STM7823 | 2-15 | 5 | STM7875 | 6-3 | 17 | STM7922 | 6-2 | 29 |
| STM7777 | 2-17 | 27 | STM7824 | 2-15 | 6 | STM7876 | 6-3 | 18 | STM7923 | 6-2 | 30 |
| STM7778 | 2-10 | 11 | STM7824 | 2-18 | 9 | STM7876 | 6-8 | 25 | STM7924 | 6-2 | 31 |

| art.nr. / part | pag. page | pos. | art.nr. / part | pag. page | pos. | art.nr. / part | pag. page | pos. | art.nr. / part | pag. page | pos. |
|----------------|-----------|------|----------------|-----------|------|----------------|-----------|------|----------------|-----------|------|
| STM7925 | 6-2 | 32 | STM7987 | 6-5 | 19 | STM9003 | 5-17 | 11 | STM9180 | 4-20 | 14 |
| STM7926 | 6-2 | 33 | STM7988 | 6-8 | 26 | STM9003 | 5-17 | 13 | STM9181 | 4-22 | 16 |
| STM7928 | 6-2 | 35 | STM7989 | 6-8 | 27 | STM9003 | 10-5 | 29 | STM9184 | 4-15 | 11 |
| STM7931 | 4-14 | 4 | STM7990 | 6-8 | 28 | STM9043 | 4-15 | 5 | STM9185 | 1-1 | 1 |
| STM7932 | 4-14 | 5 | STM7999 | 4-14 | 7 | STM9043 | 4-16 | 6 | STM9185 | 4-15 | 12 |
| STM7933 | 4-1 | 4 | STM8057 | 6-8 | 17 | STM9043 | 4-17 | 17 | STM9186 | 4-18 | 1 |
| STM7934 | 4-1 | 5 | STM8057 | 6-11 | 23 | STM9050 | 4-2 | 21 | STM9186 | 4-19 | 1 |
| STM7935 | 4-1 | 6 | STM8057 | 10-19 | 32 | STM9050 | 4-5 | 24 | STM9186 | 4-20 | 1 |
| STM7937 | 4-1 | 12 | STM8076 | 1-1 | 4 | STM9050 | 4-7 | 24 | STM9187 | 4-18 | 17 |
| STM7938 | 4-1 | 13 | STM8076 | 1-2 | 4 | STM9050 | 4-9 | 24 | STM9188 | 4-18 | 16 |
| STM7939 | 4-1 | 14 | STM8076 | 3-15 | 7 | STM9050 | 4-11 | 24 | STM9188 | 4-19 | 16 |
| STM7940 | 2-10 | 16 | STM8076 | 3-16 | 7 | STM9050 | 4-13 | 25 | STM9188 | 4-20 | 17 |
| STM7940 | 4-1 | 9 | STM8126 | 3-7 | 3 | STM9050 | 4-16 | 5 | STM9188 | 4-22 | 14 |
| STM7941 | 2-11 | 17 | STM8126 | 3-11 | 3 | STM9050 | 4-17 | 2 | STM9191 | 4-19 | 22 |
| STM7941 | 4-1 | 10 | STM8129 | 4-26 | 18 | STM9062 | 4-2 | 24 | STM9215 | 4-18 | 12 |
| STM7942 | 4-1 | 11 | STM8129 | 4-27 | 12 | STM9062 | 4-15 | 6 | STM9215 | 4-19 | 12 |
| STM7943 | 4-1 | 8 | STM8129 | 6-11 | 17 | STM9063 | 4-7 | 26 | STM9215 | 4-20 | 12 |
| STM7944 | 4-1 | 1 | STM8177 | 4-2 | 25 | STM9063 | 4-9 | 26 | STM9215 | 4-23 | 21 |
| STM7945 | 4-1 | 7 | STM8177 | 4-15 | 7 | STM9063 | 4-11 | 26 | STM9256 | 3-12 | 3 |
| STM7953 | 2-16 | 11 | STM8177 | 4-16 | 8 | STM9063 | 4-13 | 27 | STM9256 | 3-13 | 3 |
| STM7959 | 2-8 | 5 | STM8210 | 4-17 | 16 | STM9065 | 10-13 | 1 | STM9262 | 6-8 | 15 |
| STM7960 | 2-8 | 6 | STM8214 | 10-19 | 25 | STM9066 | 10-13 | 2 | STM9262 | 6-11 | 22 |
| STM7961 | 2-8 | 9 | STM8255 | 4-26 | 1 | STM9068 | 10-13 | 8 | STM9262 | 10-19 | 30 |
| STM7962 | 2-12 | 4 | STM8277 | 5-8 | 10 | STM9069 | 10-13 | 12 | STM9292 | 4-3 | 1 |
| STM7963 | 2-16 | 2 | STM8277 | 5-17 | 10 | STM9113 | 4-17 | 7 | STM9292 | 4-10 | 1 |
| STM7964 | 2-17 | 25 | STM8332 | 10-1 | 3 | STM9164 | 4-18 | 13 | STM9292 | 4-4 | 1 |
| STM7965 | 2-16 | 1 | STM8332 | 10-2 | 3 | STM9164 | 4-19 | 13 | STM9316 | 10-18 | 17 |
| STM7966 | 1-1 | 7 | STM8332 | 10-3 | 3 | STM9168 | 4-18 | 2 | STM9317 | 10-4 | 13 |
| STM7966 | 4-2 | 27 | STM8332 | 10-11 | 6 | STM9168 | 4-19 | 2 | STM9318 | 10-4 | 14 |
| STM7967 | 4-1 | 2 | STM8372 | 6-10 | 14 | STM9169 | 4-18 | 4 | STM9318 | 10-6 | 1 |
| STM7968 | 6-4 | 1 | STM8391 | 10-2 | 15 | STM9169 | 4-19 | 4 | STM9320 | 10-5 | 26 |
| STM7969 | 6-4 | 2 | STM8567 | 3-17 | 15 | STM9169 | 4-20 | 4 | STM9320 | 10-12 | 2 |
| STM7970 | 6-4 | 3 | STM8567 | 3-19 | 5 | STM9169 | 4-22 | 4 | STM9322 | 10-6 | 2 |
| STM7971 | 6-4 | 4 | STM8569 | 4-26 | 9 | STM9169 | 10-13 | 4 | STM9323 | 10-6 | 3 |
| STM7972 | 6-4 | 5 | STM8726 | 2-22 | 7 | STM9170 | 4-18 | 5 | STM9324 | 10-6 | 4 |
| STM7973 | 6-4 | 6 | STM8726 | 2-23 | 7 | STM9170 | 4-19 | 5 | STM9325 | 10-6 | 5 |
| STM7974 | 6-4 | 7 | STM8726 | 6-10 | 15 | STM9170 | 4-20 | 5 | STM9326 | 10-6 | 6 |
| STM7975 | 6-4 | 8 | STM8804 | 3-8 | 2 | STM9170 | 4-22 | 5 | STM9327 | 10-6 | 7 |
| STM7976 | 6-4 | 9 | STM8804 | 3-17 | 2 | STM9171 | 4-18 | 6 | STM9328 | 10-6 | 8 |
| STM7977 | 6-4 | 10 | STM8805 | 4-28 | 11 | STM9171 | 4-19 | 6 | STM9329 | 10-6 | 9 |
| STM7978 | 6-4 | 11 | STM9003 | 3-12 | 10 | STM9171 | 4-20 | 6 | STM9330 | 10-6 | 10 |
| STM7979 | 6-5 | 12 | STM9003 | 3-13 | 10 | STM9171 | 4-22 | 6 | STM9333 | 10-6 | 11 |
| STM7980 | 6-5 | 13 | STM9003 | 3-18 | 18 | STM9172 | 4-18 | 7 | STM9334 | 10-6 | 12 |
| STM7981 | 6-5 | 14 | STM9003 | 3-19 | 8 | STM9172 | 4-19 | 7 | STM9335 | 10-6 | 13 |
| STM7982 | 6-5 | 15 | STM9003 | 5-3 | 10 | STM9172 | 4-20 | 7 | STM9336 | 10-6 | 14 |
| STM7983 | 6-5 | 16 | STM9003 | 5-8 | 11 | STM9172 | 4-22 | 7 | STM9337 | 10-6 | 15 |
| STM7985 | 6-5 | 17 | STM9003 | 5-8 | 13 | STM9172 | 10-13 | 5 | STM9338 | 10-6 | 16 |
| STM7986 | 6-5 | 18 | STM9003 | 5-12 | 10 | STM9173 | 4-18 | 8 | STM9352 | 10-5 | 25 |

| art.nr. / part | pag. page | pos. | art.nr. / part | pag. page | pos. | art.nr. / part | pag. page | pos. |
|----------------|--------------|------|----------------|--------------|------|-------------------|--------------|------|
| STM9440 | 3-1 | 18 | STM9851 | 3-11 | 1 | STM9908 | 10-19 | 21 |
| STM9440 | 4-7 | 18 | STM9852 | 3-7 | 7 | STM9911 | 10-19 | 19 |
| STM9440 | 4-9 | 18 | STM9852 | 3-11 | 7 | STM9912 | 10-19 | 20 |
| STM9440 | 4-11 | 19 | STM9853 | 3-11 | 8 | STM9962 | 6-4 | 3 |
| STM9440 | 4-13 | 19 | STM9854 | 4-6 | 9 | STM9963 | 6-4 | 4 |
| STM9441 | 10-8 | 14 | STM9854 | 4-8 | 9 | STM9964 | 6-4 | 6 |
| STM9443 | 10-9 | 1 | STM9855 | 4-10 | 9 | STM9965 | 6-4 | 7 |
| STM9443 | 10-10 | 1 | STM9855 | 4-12 | 9 | STM9971 | 6-4 | 1 |
| STM9446 | 10-9 | 5 | STM9856 | 4-6 | 12 | STM9986 | 2-8 | 10 |
| STM9446 | 10-10 | 5 | STM9856 | 4-8 | 12 | STM9998 | 2-11 | 19 |
| STM9458 | 10-11 | 2 | STM9856 | 4-10 | 10 | TACHB4000 | 4-19 | 18 |
| STM9474 | 2-18 | 1 | STM9856 | 4-12 | 10 | TACHB4000 | 4-20 | 8 |
| STM9474 | 2-19 | 1 | STM9857 | 1-1 | 7 | TACHB4000 | 4-22 | 8 |
| STM9476 | 2-19 | 2 | STM9857 | 1-2 | 9 | TEMPB | 4-22 | 10 |
| STM9477 | 2-1 | 9 | STM9857 | 4-6 | 5 | TEMPSR120 | 4-23 | 25 |
| STM9500 | 10-8 | 6 | STM9857 | 4-8 | 5 | VBELTCOV- ERM4 | 2-23 | 11 |
| STM9501 | 10-8 | 3 | STM9858 | 1-1 | 7 | VD60090 | 3-8 | 20 |
| STM9502 | 3-4 | 17 | STM9858 | 1-2 | 9 | VD60090 | 3-17 | 9 |
| STM9502 | 10-7 | 5 | STM9858 | 4-10 | 5 | VD60090 | 10-19 | 29 |
| STM9502 | 10-8 | 5 | STM9858 | 4-12 | 5 | VOLT... | 4-22 | 9 |
| STM9503 | 3-4 | 18 | STM9859 | 3-7 | 11 | VOLT.... | 4-19 | 20 |
| STM9503 | 10-7 | 4 | STM9859 | 3-11 | 10 | VOLT.... | 4-20 | 9 |
| STM9503 | 10-8 | 4 | STM9860 | 2-22 | 2 | | | |
| STM9504 | 3-4 | 19 | STM9860 | 2-23 | 2 | | | |
| STM9504 | 10-7 | 2 | STM9860 | 3-7 | 16 | | | |
| STM9504 | 10-8 | 2 | STM9860 | 3-11 | 12 | | | |
| STM9505 | 10-8 | 1 | STM9861 | 4-7 | 23 | | | |
| STM9507 | 10-8 | 12 | STM9861 | 4-9 | 23 | | | |
| STM9511 | 3-5 | 38 | STM9861 | 4-11 | 23 | | | |
| STM9512 | 3-5 | 37 | STM9861 | 4-13 | 24 | | | |
| STM9513 | 3-4 | 16 | STM9862 | 4-2 | 28 | | | |
| STM9514 | 3-4 | 21 | STM9862 | 4-3 | 14 | | | |
| STM9543 | 1-1 | 6 | STM9862 | 4-5 | 30 | | | |
| STM9545 | 1-2 | 8 | STM9862 | 4-7 | 21 | | | |
| STM9674 | 10-18 | 5 | STM9862 | 4-15 | 4 | | | |
| STM9682 | 3-7 | 2 | STM9862 | 4-16 | 4 | | | |
| STM9682 | 3-11 | 2 | STM9863 | 4-7 | 22 | | | |
| STM9682 | 4-3 | 12 | STM9864 | 4-11 | 22 | | | |
| STM9731 | 4-20 | 16 | STM9888 | 4-18 | 23 | | | |
| STM9731 | 4-24 | 35 | STM9888 | 4-19 | 23 | | | |
| STM9742 | 4-28 | 15 | STM9888 | 4-20 | 20 | | | |
| STM9750 | 4-28 | 12 | STM9888 | 4-24 | 36 | | | |
| STM9765 | 4-28 | 14 | STM9895 | 3-7 | 8 | | | |
| STM9798 | 4-17 | 14 | STM9896 | 2-19 | 3 | | | |
| STM9805 | 4-11 | 28 | STM9897 | 2-19 | 3 | | | |
| STM9806 | 4-7 | 28 | STM9901 | 2-8 | 1 | | | |
| STM9836 | 4-1 | 2 | STM9905 | 10-18 | 18 | | | |
| STM9851 | 3-7 | 1 | STM9907 | 10-19 | 23 | | | |



FOKKERSTRAAT 571 - 3125 BD SCHIEDAM - HOLLAND
TEL.: +31(0)88 4884700 - sales@vetus.nl - www.vetus.com