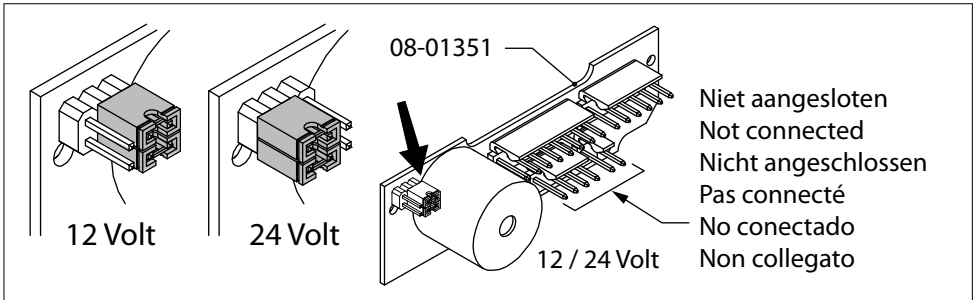
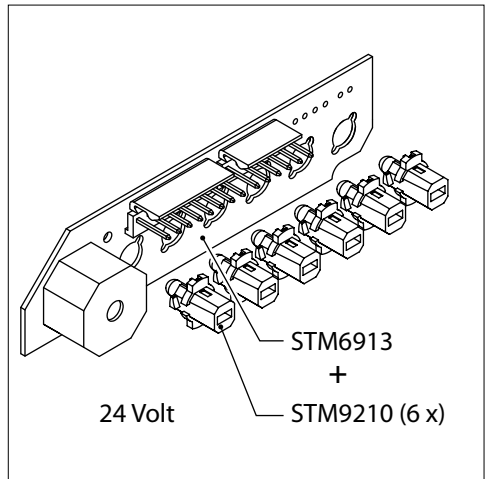
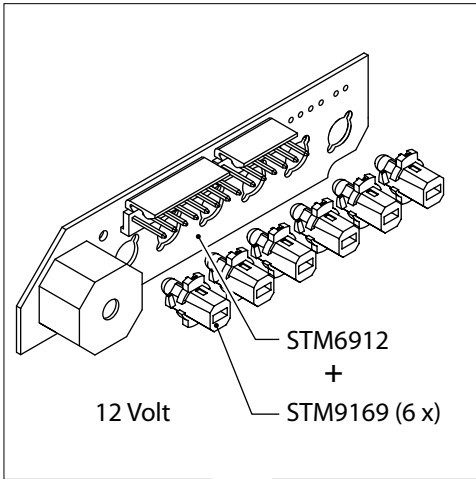
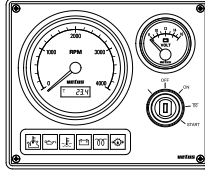
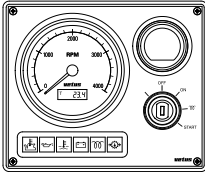




PCB for Engine Panels MP21(A), MP22(A)

08-01351





PCB for Engine Panels MP34(A), PWL

08-01351

